

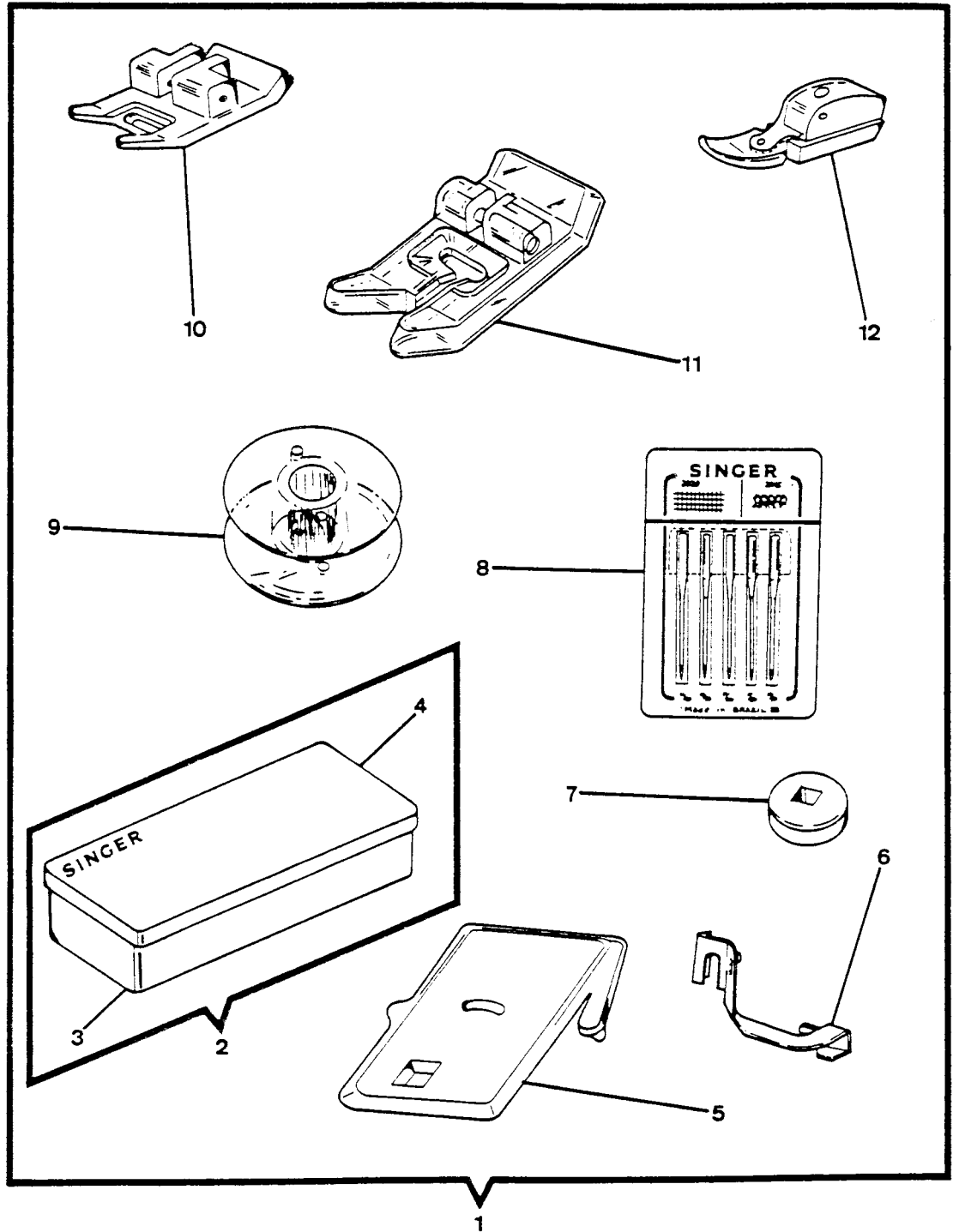
SINGER

5802/5805/5806/5808/5810

INDEX

PAGE NBR	SUB-ASSEMBLY
01 - 02	ATTACHMENT SET
03 - 04	ARM, BED, THROAT PLATE & BED SLIDE
05 - 10	COVERS & ADD-ONS
11 - 14	NEEDLE BAR, PRESSER BAR & TAKE-UP
15 - 16	ARM SHAFT DRIVE
17 - 18	HAND WHEEL
19 - 20	TENSION MECHANISM
21 - 22	HOOK SYSTEM
23 - 24	BIGHT AMPLITUDE
25 - 26	NEEDLE POSITION
27 - 28	DISC SELECTOR ASSEMBLY
29 - 30	CAM STACK
31 - 34	FEED REGULATOR CAM
33 - 38	BUTTONHOLER & FEED REGULATOR CAM
39 - 40	CAM CONTROLLED FEED
41 - 42	FEED SYSTEM
43 - 44	OPTIONS
45 - 51	ELECTRICAL EQUIPMENT

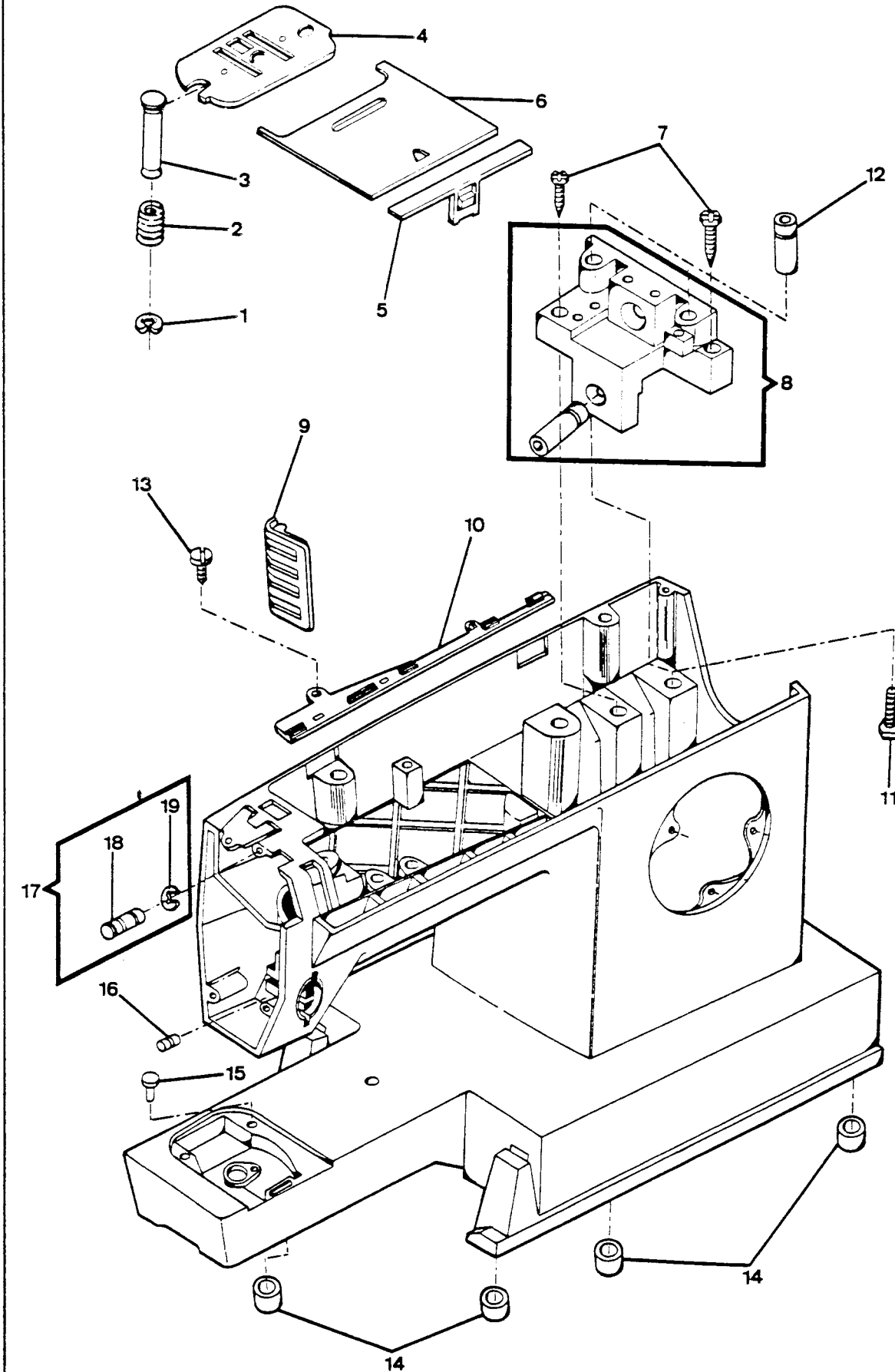
ATTACHMENT SET



PART LIST
ATTACHMENT SET

REF.	PART NBR	DESCRIPTION	5	5	5	5	5
			8	8	8	8	8
			0	0	0	0	1
			2	5	6	8	0
01	446495	ATTACHMENT SET COMPLETE	X				
01	446496	ATTACHMENT SET COMPLETE		X	X	X	X
	446495-005	ATTACHMENT SET COMPLETE WITH LABEL	X				
	446496-016	ATTACHMENT SET COMPLETE WITH LABEL		X			
	446496-017	ATTACHMENT SET COMPLETE WITH LABEL			X		
	446496-018	ATTACHMENT SET COMPLETE WITH LABEL				X	
	446496-019	ATTACHMENT SET COMPLETE WITH LABEL					X
02	446150-454	ATTACHMENT BOX COMPLETE	X	X	X	X	X
03	446148-454	ATTACHMENT BOX BASE (PLASTIC)	X	X	X	X	X
04	446149-454	ATTACHMENT BOX COVER (PLASTIC)	X	X	X	X	X
05	313117	FEED COVER PLATE	X	X	X	X	X
06	381213	BLIND STITCH GUIDE		X	X	X	X
07	507664-459	ARM TOP COVER SPOOL PIN THREAD LEAD-OFF	X	X	X	X	X
08	353364	NEEDLE PACK (INCLUDES 1 E A N2020 SIZE 11/14/16 & N2045 SIZE 11/14)	X	X	X	X	X
09	172336	BOBBIN (PLASTIC)	X	X	X	X	X
10	446492-451	SPECIAL PURPOSE PRESSER FOOT (SNAP-ON)		X	X	X	X
11	161927	PRESSER FOOT PLATE (SNAP-ON) FOR SEWING BUTTONHOLES		X	X	X	X
12	507836	PRESSER FOOT PLATE (SNAP-ON) COMPLETE FOR CORDING & SLIDE FASTENERS		X	X	X	X

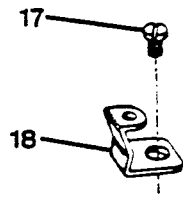
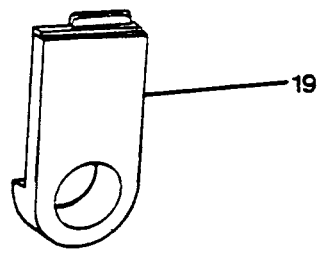
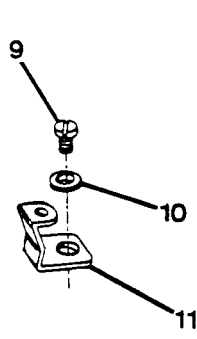
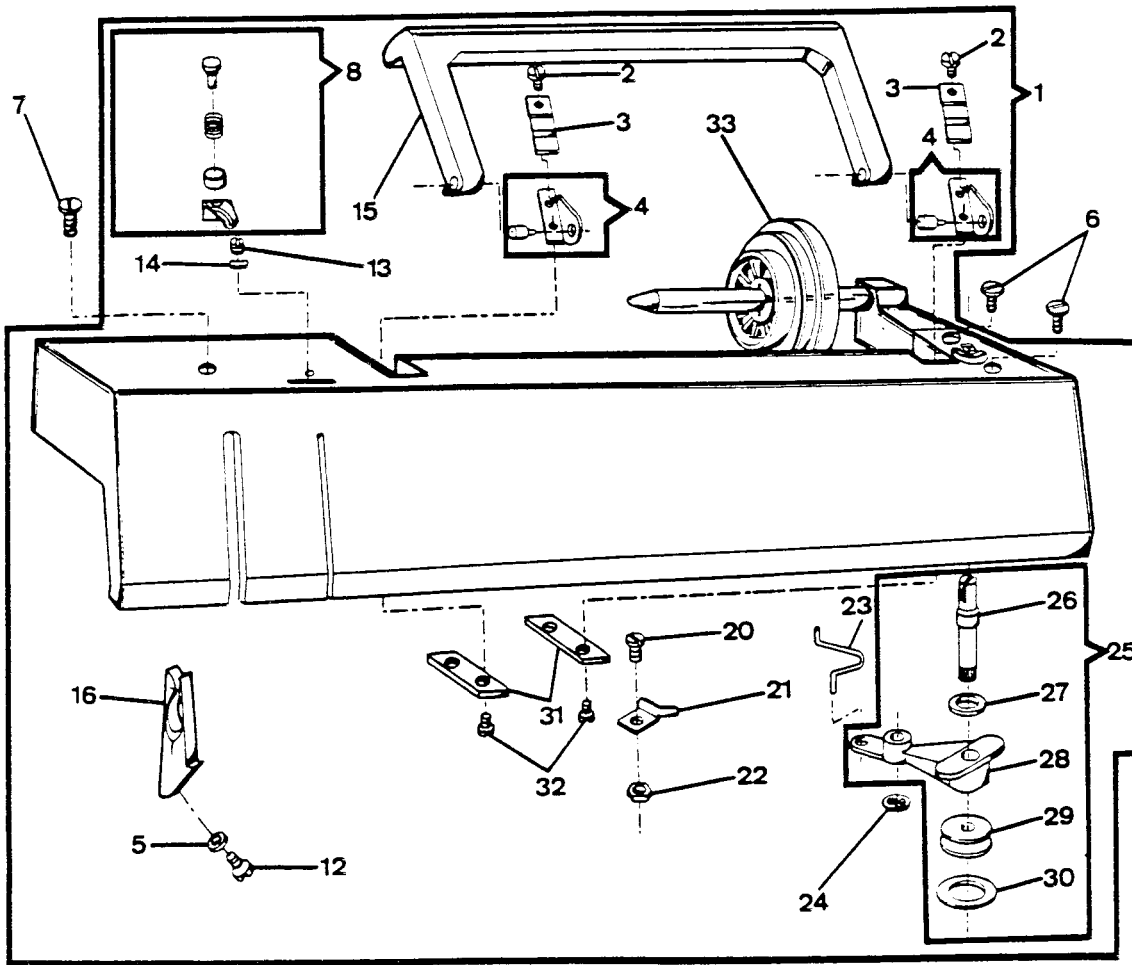
ARM, BED, THROAT PLATE & BED SLIDE



PART LIST
ARM, BED, THROAT PLATE & BED SLIDE

REF.	PART NBR	DESCRIPTION	5	5	5	5	5
			8	8	8	8	8
			0	0	0	0	1
			2	5	6	8	0
01	179926	THROAT PLATE CLAMP SPRING RETAINING RING	X	X	X	X	X
02	353494	THROAT PLATE CLAMP SPRING	X	X	X	X	X
03	353597	THROAT PLATE CLAMP	X	X	X	X	X
04	312777	THROAT PLATE FOR ZIG-ZAG SEWING	X	X	X	X	X
05	446482	BED SLIDE SPRING (SNAP-ON)	X	X	X	X	X
06	446481	BED SLIDE	X	X	X	X	X
07	113455-006	ARM SHAFT (REAR) HOUSING MOUNTING SCREW	X	X	X	X	X
08	446347	ARM SHAFT (REAR) HOUSING ASSEMBLY	X	X	X	X	X
09	353360-451	ARM INSERT MOTOR VENT GRILL	X	X	X	X	X
10	356049-900	FILLER PLATE	X				
10	356111-451	FILLER PLATE		X			
10	356112-451	FILLER PLATE			X	X	X
11	446349-451	ARM SHAFT (REAR) HOUSING MOUNTING BOLT	X	X	X	X	X
12	446465	ARM TOP COVER SUPPORT STUD	X	X	X	X	X
13	113455-001	FILLER PLATE SCREW	X	X	X	X	X
14	353559-451	BED CUSHION	X	X	X	X	X
15	353624	THROAT PLATE POSITION PIN	X	X	X	X	X
16	446358	TENSION RELEASING LEVER HINGE PIN	X	X	X	X	X
17	353623	THREAD TAKE-UP LEVER LINK HINGE STUD WITH RING	X	X	X	X	X
18	446375	THREAD TAKE-UP LEVER LINK HINGE STUD	X	X	X	X	X
19	353215	THREAD TAKE-UP LEVER LINK RETAINING RING	X	X	X	X	X

COVERS & ADD-ONS

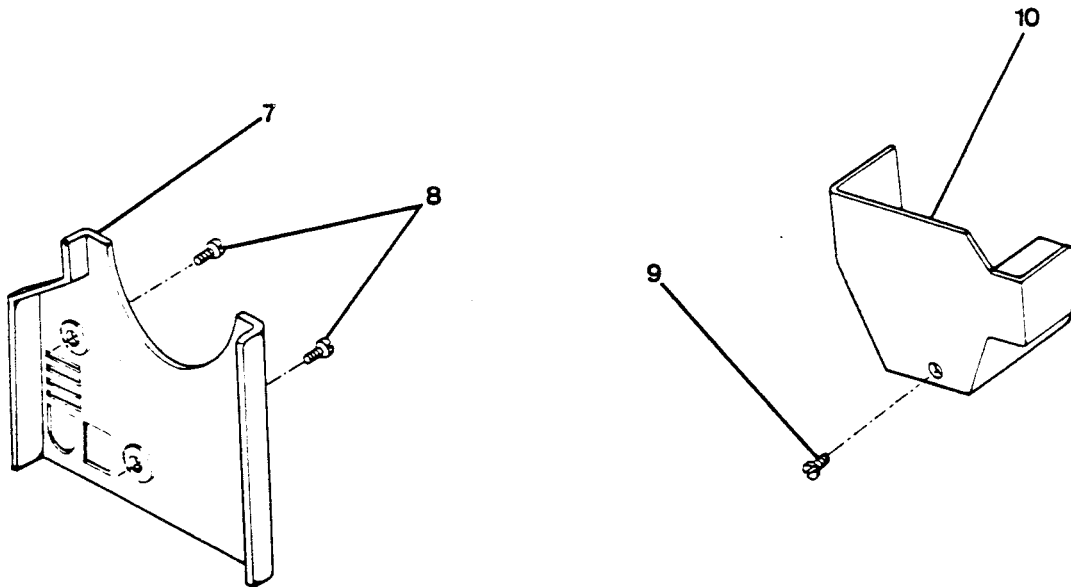
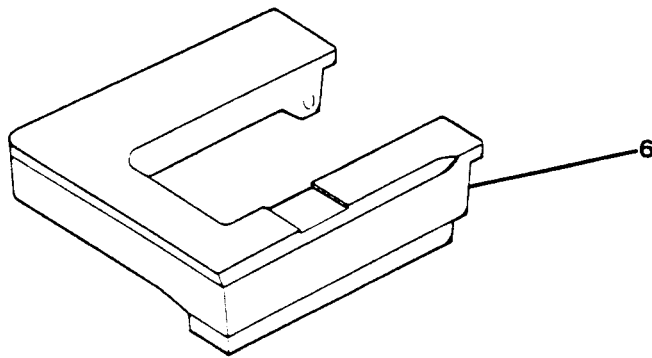
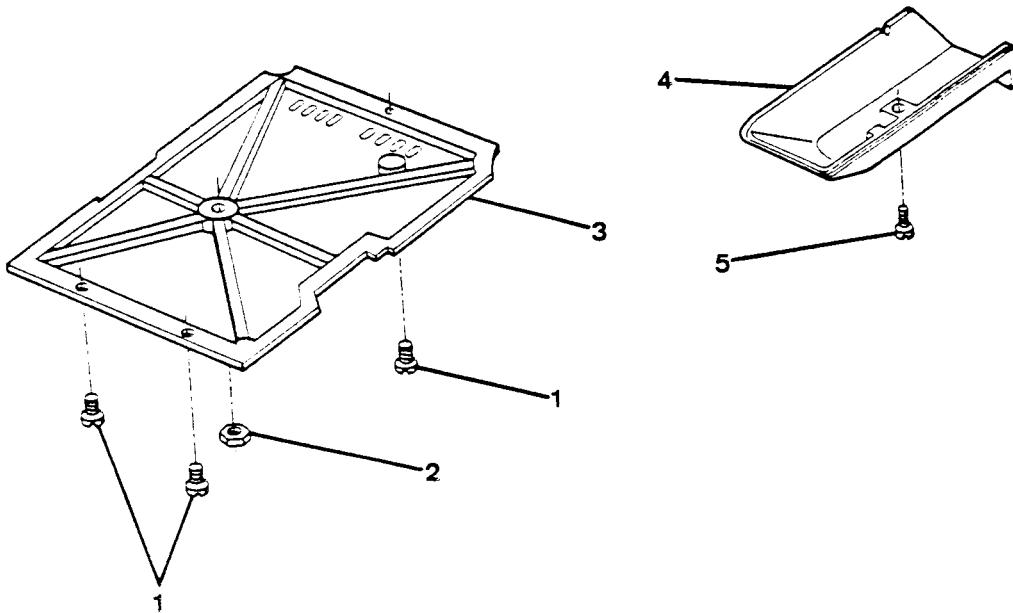


PART LIST
COVERS & ADD-ONS

5 5 5 5 5
8 8 8 8 8
0 0 0 0 1
2 5 6 8 0

REF.	PART NBR	DESCRIPTION						
01	356038-451	ARM TOP COVER COMPLETE	X					
01	356099-451	ARM TOP COVER COMPLETE		X				
01	356102-451	ARM TOP COVER COMPLETE			X			
01	356105-451	ARM TOP COVER COMPLETE				X		
01	356108-451	ARM TOP COVER COMPLETE					X	
02	356161-451	ARM TOP COVER HANDLE BRACKET SCREW	X	X	X	X	X	X
03	314485	ARM TOP COVER MACHINE HANDLE SPRING	X	X	X	X	X	X
04	314486	ARM TOP COVER MACHINE HANDLE HINGE BRACKET	X	X	X	X	X	X
05	179957	ARM TOP COVER THREAD GUIDE SCREW WASHER	X	X	X	X	X	X
06	354895-453	ARM TOP COVER MOUNTING SCREW (RIGHT REAR & FRONT)	X	X	X	X	X	X
07	354975-451	ARM TOP COVER SCREW	X	X	X	X	X	X
08	356047	BOBBIN WINDER TENSION COMPLETE	X	X	X	X	X	X
09	354826-451	ARM TOP COVER MOUNTING BRACKET (LEFT) SET SCREW	X	X	X	X	X	X
10	445765	ARM TOP COVER MOUNTING BRACKET (LEFT) SET SCREW WASHER	X	X	X	X	X	X
11	531765	ARM TOP COVER MOUNTING BRACKET (LEFT)	X	X	X	X	X	X
12	356116-451	ARM TOP COVER THREAD GUIDE SCREW	X	X	X	X	X	X
13	141936-833	BOBBIN WINDER TENSION BRACKET ADJUSTING SCREW	X	X	X	X	X	X
14	44794	BOBBIN WINDER TENSION BRACKET ADJUSTING SCREW RETAINING CLIP	X	X	X	X	X	X
15	356044-451	ARM TOP COVER MACHINE HANDLE	X	X	X	X	X	X
16	356126-451	ARM TOP COVER THREAD GUIDE	X	X	X	X	X	X
17	113455-001	ARM TOP COVER MOUNTING BRACKET (RIGHT) SCREW	X	X	X	X	X	X
18	356178	ARM TOP COVER MOUNTING BRACKET (RIGHT)	X	X	X	X	X	X
19	356173-451	ARM TOP COVER SHROUDED	X	X	X	X	X	X
20	141920-453	BOBBIN WINDER STOP SCREW	X	X	X	X	X	X
21	445924	BOBBIN WINDER STOP	X	X	X	X	X	X
22	53640-819	BOBBIN WINDER STOP SCREW NUT	X	X	X	X	X	X
23	531766	BOBBIN WINDER SPRING	X	X	X	X	X	X
24	445486	BOBBIN WINDER RETAINING RING	X	X	X	X	X	X
25	531767	BOBBIN WINDER ASSEMBLY	X	X	X	X	X	X
26	531768	BOBBIN WINDER SPINDLE COMPLETE	X	X	X	X	X	X
27	543531	BOBBIN WINDER SPINDLE WASHER	X	X	X	X	X	X
28	531770-451	BOBBIN WINDER FRAME	X	X	X	X	X	X
29	44440	BOBBIN WINDER PULLEY	X	X	X	X	X	X
30	15287-701	BOBBIN WINDER FRICTION RING	X	X	X	X	X	X
31	314561	ARM TOP COVER HANDLE BRACKET NUT PLATE	X	X	X	X	X	X
32	356161-451	ARM TOP COVER HANDLE BRACKET SCREW	X	X	X	X	X	X
33	179967-451	ARM TOP COVER SPOOL PIN THREAD LEAD OFF	X	X	X	X	X	X

COVERS & ADD-ONS (CONT.)



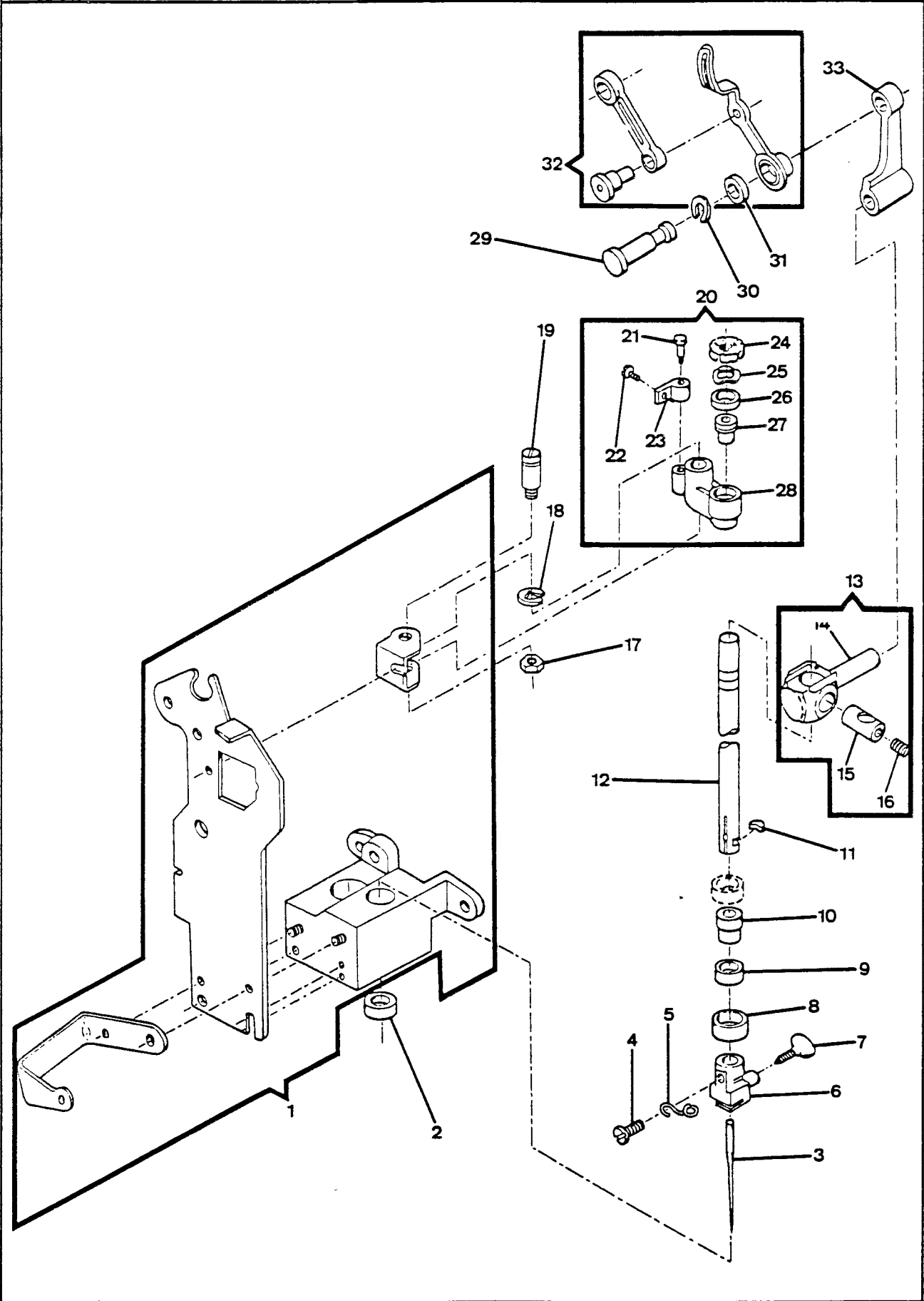
PART LIST
COVERS & ADD-ONS (CONT.)

REF.	PART NBR	DESCRIPTION	5	5	5	5	5
			8	8	8	8	8
			0	0	0	0	1
			2	5	6	8	0
01	113455-001	BED (BOTTOM) COVER FASTENING SCREW	X	X	X	X	X
02	514608	BED (BOTTOM) COVER FASTENING NUT	X	X	X	X	X
03	353587-451	BED (BOTTOM) COVER (PLASTIC)	X	X	X	X	X
04	446493-451	BED (TUBULAR) BOTTOM COVER (PLASTIC)	X	X	X	X	X
05	354895-453	BED (TUBULAR) BOTTOM COVER FASTENING SCREW	X	X	X	X	X
06	356027-451	BED EXTENSION PLATE (PLASTIC)	X	X	X	X	X
07		REFER TO CHARTS ON FOLLOWING PAGE					
08	354637-453	ARM END COVER SCREW	X	X	X	X	X
09	354133-453	FACE PLATE SCREW	X	X	X	X	X
10	356051-451	FACE PLATE COMPLETE (WITHOUT GRILLE)	X	X	X	X	X
10	356235-451	FACE PLATE COMPLETE (WITH GRILLE)	X	X	X	X	X

ARM END COVER

PART NBR	EUROPE	UK	USA CANADA	AUSTR.	NON-REG EUROPE	INT. GROUP	INT. GROUP	CYPRUS	
531894-049	X								5802
-050		X							5802
-051			X						5802
-052				X					5802
-053					X				5802
-054						X			5802
-055							X		5802
-056								X	5802
-057	X								5805
-058		X							5805
-059			X						5805
-060				X					5805
-061					X				5805
-062						X			5805
-063							X		5805
-064								X	5805
-065	X								5806
-066		X							5806
-067			X						5806
-068				X					5806
-069					X				5806
-070						X			5806
-071							X		5806
-072								X	5806
-073	X								5808
-074		X							5808
-075			X						5808
-076				X					5808
-077					X				5808
-078						X			5808
-079							X		5808
-080								X	5808
-081	X								5810
-082		X							5810
-083			X						5810
-084				X					5810
-085					X				5810
-086						X			5810
-087							X		5810
-088								X	5810

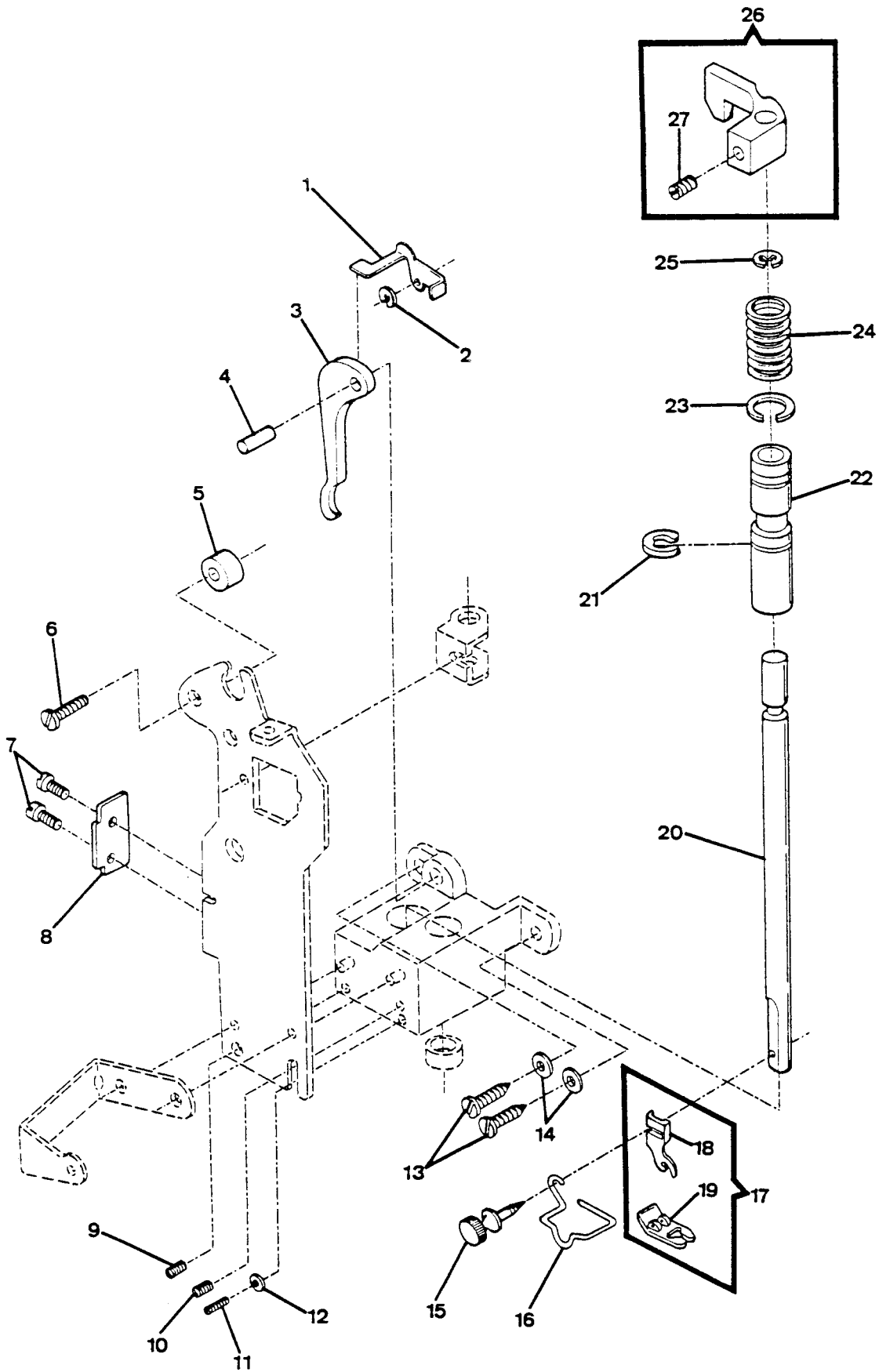
NEEDLE BAR, PRESSER BAR & TAKE-UP



PART LIST
NEEDLE BAR, PRESSER BAR & TAKE-UP

REF.	PART NBR	DESCRIPTION	5	5	5	5	5
			8	8	8	8	8
			0	0	0	0	1
			2	5	6	8	0
01	353490	NEEDLE BAR, PRESSER BAR & VIBRATING BRACKET HOUSING COMPLETE	X	X	X	X	X
02	44450	NEEDLE BAR BALL BUSHING (LOWER) SOCKET (UPPER)	X	X	X	X	X
03	204514-100	NEEDLE (SIZE NBR 14)	X	X	X	X	X
04	141808-451	NEEDLE CLAMP BODY, NEEDLE CLAMP THREAD GUIDE & NEEDLE STOP SCREW	X	X	X	X	X
05	353629	NEEDLE CLAMP THREAD GUIDE	X	X	X	X	X
06	353630	NEEDLE CLAMP BODY	X	X	X	X	X
07	113413-451	NEEDLE THUMB SCREW	X	X	X	X	X
08	446361	NEEDLE BAR BALL BUSHING (LOWER) ADJUSTING COLLAR	X	X	X	X	X
09	507379	NEEDLE BAR BALL BUSHING (LOWER) SOCKET	X	X	X	X	X
10	446355-001	NEEDLE BAR BALL BUSHING (LOWER)	X	X	X	X	X
11	37943	NEEDLE BAR GIB	X	X	X	X	X
12	445793	NEEDLE BAR	X	X	X	X	X
13	353549-940	NEEDLE BAR CONNECTING STUD WITH HINGE PIN	X	X	X	X	X
14	353549	NEEDLE BAR CONNECTING STUD	X	X	X	X	X
15	37931	NEEDLE BAR CONNECTING STUD HINGE PIN	X	X	X	X	X
16	141916-833	NEEDLE BAR CLAMP SCREW	X	X	X	X	X
17	353402-451	NEEDLE BAR VIBRATING BRACKET HINGE PIN NUT	X	X	X	X	X
18	445721	NEEDLE BAR VIBRATING BRACKET HINGE PIN RETAINING RING	X	X	X	X	X
19	446359	NEEDLE BAR VIBRATING BRACKET HINGE PIN	X	X	X	X	X
20	353520	NEEDLE BAR VIBRATING BRACKET COMPLETE	X	X	X	X	X
21	37935	NEEDLE BAR DRIVING ARM HINGE BRACKET HINGE PIN	X	X	X	X	X
22	141844-819	NEEDLE BAR DRIVING ARM HINGE BRACKET SCREW	X	X	X	X	X
23	446190	NEEDLE BAR DRIVING ARM HINGE BRACKET	X	X	X	X	X
24	353522	NEEDLE BAR BALL BUSHING (UPPER) RETAINING RING	X	X	X	X	X
25	353424	NEEDLE BAR BALL BUSHING (UPPER) WAVED WASHER	X	X	X	X	X
26	507379	NEEDLE BAR BALL BUSHING (UPPER) SOCKET	X	X	X	X	X
27	446355-001	NEEDLE BAR BALL BUSHING (UPPER)	X	X	X	X	X
28	353521	NEEDLE BAR VIBRATING BRACKET	X	X	X	X	X
29	446260	THREAD TAKE-UP STUD	X	X	X	X	X
30	445486	THREAD TAKE-UP STUD RETAINING RING	X	X	X	X	X
31	543531	THREAD TAKE-UP STUD THRUST WASHER	X	X	X	X	X
32	445672	THREAD TAKE-UP LEVER ASSEMBLY	X	X	X	X	X
33	446357	NEEDLE BAR CONNECTING LINK	X	X	X	X	X

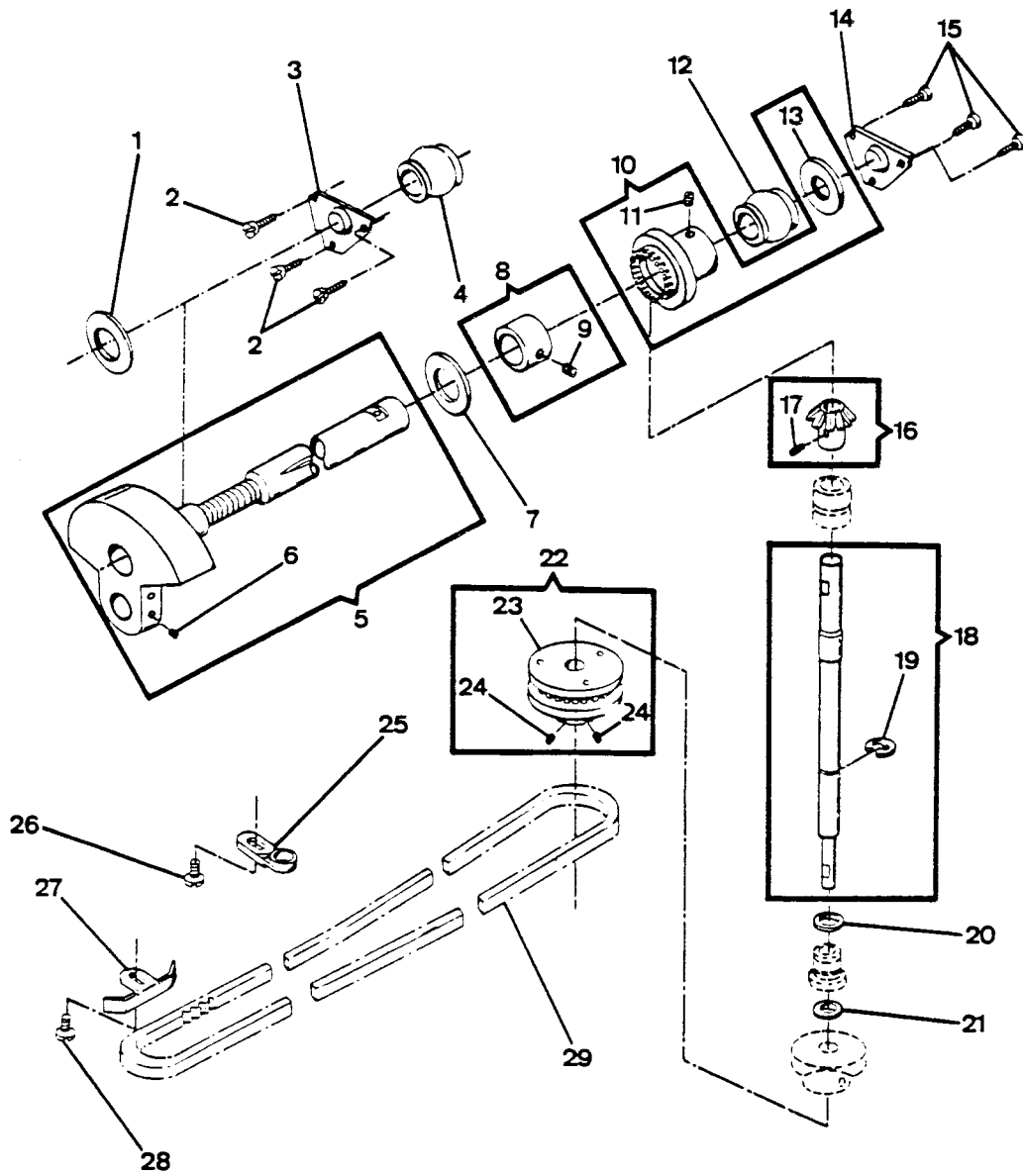
NEEDLE BAR, PRESSER BAR & TAKE-UP (CONT.)



PART LIST
NEEDLE BAR, PRESSER BAR & TAKE-UP (CONT.)

REF.	PART NBR	DESCRIPTION	5	5	5	5	5
			8	8	8	8	8
			0	0	0	0	1
			2	5	6	8	0
01	445925	TENSION RELEASING LEVER	X	X	X	X	X
02	445486	TENSION RELEASING LEVER RETAINING RING	X	X	X	X	X
03	446356	PRESSER BAR LIFTER	X	X	X	X	X
04	446354-451	PRESSER BAR LIFTER HINGE PIN	X	X	X	X	X
05	531627	NEEDLE BAR, PRESSER BAR & VIBRATING BRACKET HOUSING MOUNTING BUSHING	X	X	X	X	X
06	113455-005	NEEDLE BAR & PRESSER BAR VIBRATING BRACKET HOUSING MOUNTING SCREW	X	X	X	X	X
07	141913-451	PRESSER BAR GUIDE BRACKET POSITIONER SCREW	X	X	X	X	X
08	446353	PRESSER BAR GUIDE BRACKET POSITIONER	X	X	X	X	X
09	141938-833	NEEDLE BAR BALL BUSHING (LOWER) ADJUSTING COLLAR SET SCREW	X	X	X	X	X
10	354906-451	PRESSER BAR BALL BUSHING SET SCREW	X	X	X	X	X
11	354993-451	NEEDLE BAR OVER THROW SET SCREW	X	X	X	X	X
12	54591-451	NEEDLE BAR OVER THROW SET SCREW NUT	X	X	X	X	X
13	113434-451	NEEDLE BAR, PRESSER BAR & VIBRATING BRACKET HOUSING MOUNTING SCREW (LOWER)	X	X	X	X	X
14	353375-451	NEEDLE BAR, PRESSER BAR & VIBRATING BRACKET HOUSING MOUNTING SCREW (LOWER) WASHER	X	X	X	X	X
15	354135-452	PRESSER FOOT THUMB SCREW	X	X	X	X	X
16	116863	FINGER GUARD (FOR EUROPE ONLY)	X	X	X	X	X
17	446372	PRESSER FOOT (SNAP-ON) COMPLETE FOR ZIG-ZAG SEWING	X	X	X	X	X
18	155964	PRESSER FOOT SHANK (SNAP-ON)	X	X	X	X	X
19	446371	PRESSER FOOT PLATE (SNAP-ON) FOR ZIG-ZAG SEWING	X	X	X	X	X
20	314638	PRESSER BAR	X	X	X	X	X
21	353252	PRESSER BAR BUSHING LOCATOR RING	X	X	X	X	X
22	445947-001	PRESSER BAR BUSHING	X	X	X	X	X
23	353252	PRESSER BAR SPRING RETAINING RING	X	X	X	X	X
24	353214	PRESSER BAR SPRING	X	X	X	X	X
25	353215	PRESSER BAR SPRING RETAINING RING (UPPER)	X	X	X	X	X
26	353212	PRESSER BAR GUIDE BRACKET ASSEMBLY	X	X	X	X	X
27	141925-833	PRESSER BAR GUIDE BRACKET SET SCREW	X	X	X	X	X

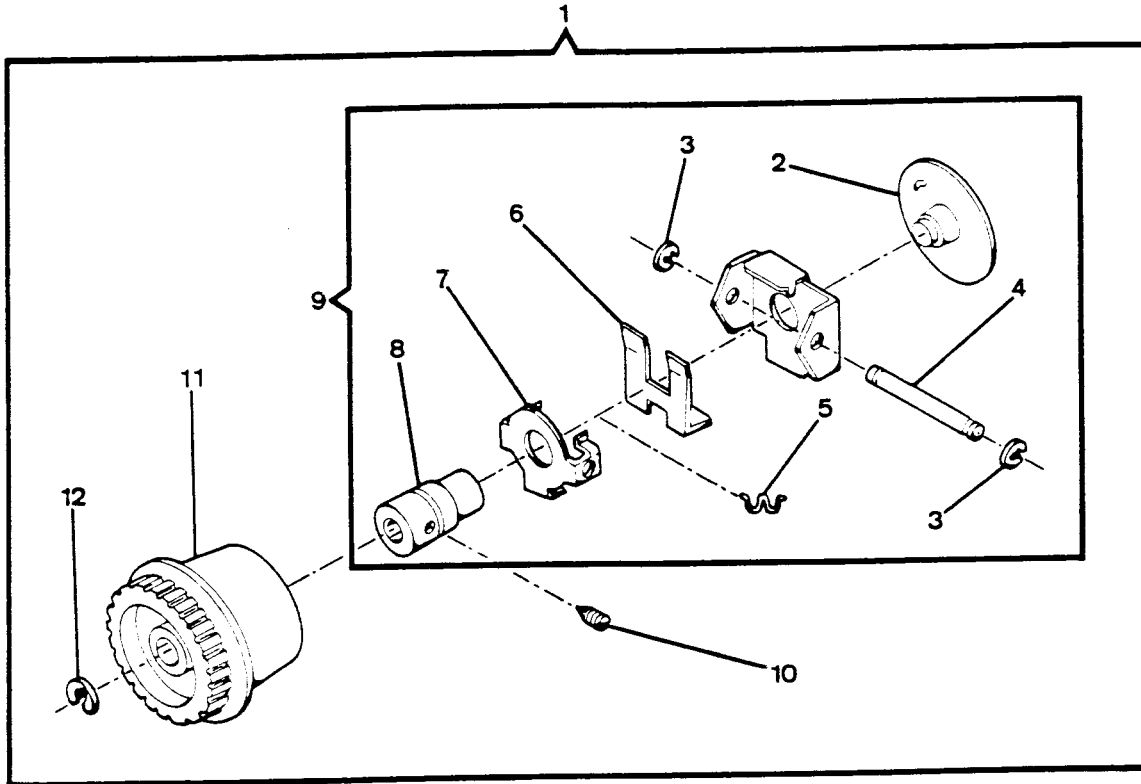
ARM SHAFT DRIVE



PART LIST
ARM SHAFT DRIVE

REF.	PART NBR	DESCRIPTION	5	5	5	5	5
			8	8	8	8	8
			0	0	0	0	1
			2	5	6	8	0
01	319764	ARM SHAFT (HORIZONTAL) RETAINING COLLAR WASHER	X	X	X	X	X
02	113455-001	ARM SHAFT BUSHING (FRONT) RETAINING BRACKET SCREW	X	X	X	X	X
03	446385	ARM SHAFT BUSHING (FRONT) RETAINING BRACKET	X	X	X	X	X
04	446384	ARM SHAFT BUSHING (FRONT)	X	X	X	X	X
05	531684	ARM SHAFT COMPLETE	X	X	X	X	X
06	354105-833	NEEDLE BAR CRANK POSITION SET SCREW	X	X	X	X	X
07	319764	ARM SHAFT (HORIZONTAL) RETAINING COLLAR WASHER					
08	353580	ARM SHAFT (HORIZONTAL) RETAINING COLLAR WITH SCREW	X	X	X	X	X
09	113500-451	ARM SHAFT (HORIZONTAL) RETAINING COLLAR SET SCREW	X	X	X	X	X
10	353272	ARM SHAFT (HORIZONTAL) BEVEL GEAR & FEED LIFTING ECCENTRIC	X	X	X	X	X
11	354813-451	ARM SHAFT (HORIZONTAL) BEVEL GEAR & FEED LIFTING ECCENTRIC SET SCREW	X	X	X	X	X
12	446384	ARM SHAFT BUSHING					
13	353413	ARM SHAFT (HORIZONTAL) BEVEL GEAR & FEED ECCENTRIC WASHER (PLASTIC)	X	X	X	X	X
14	446385	ARM SHAFT BUSHING RETAINING BRACKET	X	X	X	X	X
15	113455-001	ARM SHAFT BUSHING RETAINING BRACKET SCREW	X	X	X	X	X
16	353273	ARM SHAFT (UPRIGHT) BEVEL GEAR (PLASTIC)	X	X	X	X	X
17	354105-833	ARM SHAFT (UPRIGHT) BEVEL GEAR SET SCREW	X	X	X	X	X
18	179952	ARM SHAFT (UPRIGHT) ASSEMBLY	X	X	X	X	X
19	353215	ARM SHAFT (UPRIGHT) RETAINING RING	X	X	X	X	X
20	353394	ARM SHAFT (UPRIGHT) RETAINING RING WASHER	X	X	X	X	X
21	319826	ARM SHAFT (UPRIGHT) BELT DRIVE PULLEY WASHER	X	X	X	X	X
22	353438	ARM SHAFT (UPRIGHT) BELT DRIVE PULLEY ASSEMBLY COMPLETE	X	X	X	X	X
23	446230	ARM SHAFT (UPRIGHT) BELT DRIVE PULLEY	X	X	X	X	X
24	113518-451	ARM SHAFT (UPRIGHT) BELT DRIVE PULLEY RETAINING COLLAR SET SCREW	X	X	X	X	X
25	531630	ROTATING HOOK DRIVE BELT TENSION ADJUSTER	X	X	X	X	X
26	113453-003	ROTATING HOOK DRIVE BELT TENSIONER SCREW	X	X	X	X	X
27	446376	BELT RETAINER (LEFT)	X	X	X	X	X
28	113455-001	BELT RETAINER (LEFT) SCREW	X	X	X	X	X
29	446237	BELT (ROTATING HOOK DRIVE)	X	X	X	X	X

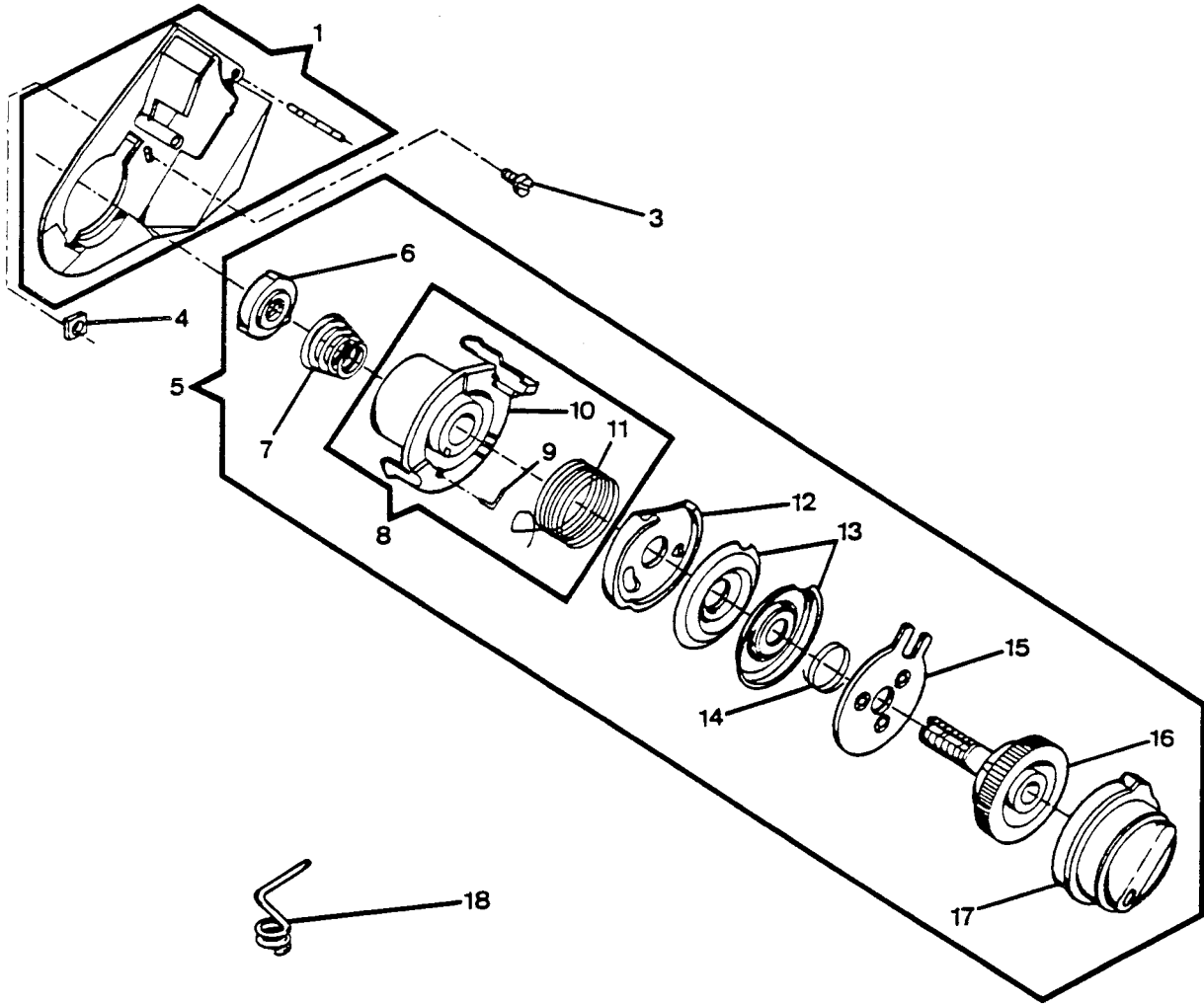
HAND WHEEL



PART LIST
HAND WHEEL

REF.	PART NBR	DESCRIPTION	5	5	5	5	5
			8	8	8	8	8
			0	0	0	0	1
			2	5	6	8	0
01	446391-451	HAND WHEEL (PLASTIC) COMPLETE	X	X	X	X	X
02	446297	HAND WHEEL DISENGAGING CLUTCH ENGAGING PLATE COVER	X	X	X	X	X
03	445721	HAND WHEEL DISENGAGING CLUTCH ENGAGING PLATE HINGE PIN RETAINING RING	X	X	X	X	X
04	319560	HAND WHEEL DISENGAGING CLUTCH ENGAGING PLATE HINGE PIN	X	X	X	X	X
05	531628	HAND WHEEL DISENGAGING CLUTCH ACTUATING SPRING	X	X	X	X	X
06	319567	HAND WHEEL DISENGAGING CLUTCH BUSHING PLATE RETAINING	X	X	X	X	X
07	319566	HAND WHEEL DISENGAGING CLUTCH BUSHING PLATE	X	X	X	X	X
08	446390	HAND WHEEL DISENGAGING CLUTCH BUSHING	X	X	X	X	X
09	446343	HAND WHEEL DISENGAGING CLUTCH BUSHING COMPLETE	X	X	X	X	X
10	354813-451	HAND WHEEL DISENGAGING CLUTCH BUSHING SCREW	X	X	X	X	X
11	446386-451	HAND WHEEL (PLASTIC) (ELECTRIC)	X	X	X	X	X
12	446387	HAND WHEEL RETAINING RING (TREADLE/ELECTRIC)	X	X	X	X	X

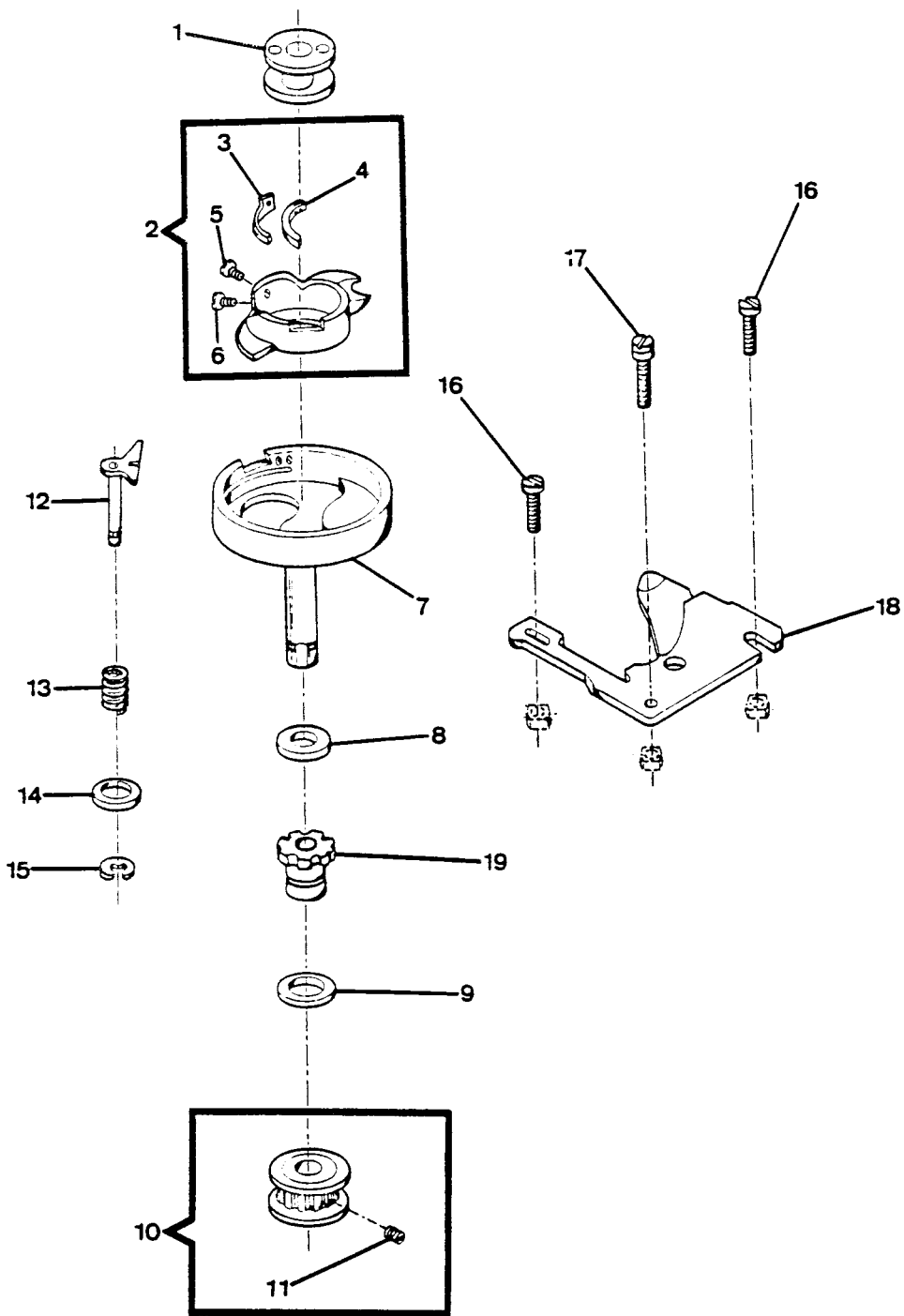
TENSION MECHANISM



PART LIST
TENSION MECHANISM

REF.	PART NBR	DESCRIPTION	5	5	5	5	5
			8	8	8	8	8
			0	0	0	0	1
			2	5	6	8	0
01	356040-451	TENSION MECHANISM SHROUDER ASSEMBLY	X	X	X	X	X
03	355236-451	TENSION THREAD GUIDE SCREW	X	X	X	X	X
04	514698-451	TENSION THREAD GUIDE SCREW NUT	X	X	X	X	X
05	356088-451	TENSION MECHANISM ASSEMBLY	X	X	X	X	X
06	356095-901	TENSION STUD NUT	X	X	X	X	X
07	356096	TENSION SPRING	X	X	X	X	X
08	356245	TENSION MECHANISM SUPPORT ASSEMBLY	X	X	X	X	X
09	356246-900	TENSION MECHANISM SUPPORT PIN	X	X	X	X	X
10	356089	TENSION MECHANISM SUPPORT	X	X	X	X	X
11	356097	THREAD TAKE-UP SPRING	X	X	X	X	X
12	356091	THREAD TAKE-UP SPRING THREAD GUARD	X	X	X	X	X
13	356094	TENSION DISC	X	X	X	X	X
14	356216	TENSION DISC PRESSURE PLATE SPRING	X	X	X	X	X
15	356177	TENSION DISC PRESSURE PLATE	X	X	X	X	X
16	356092-451	TENSION INDICATOR WITH STUD	X	X	X	X	X
17	356090-451	TENSION INDICATOR DIAL	X	X	X	X	X
18	445784	THREAD GUIDE (LOWER)	X	X	X	X	X

HOOK SYSTEM

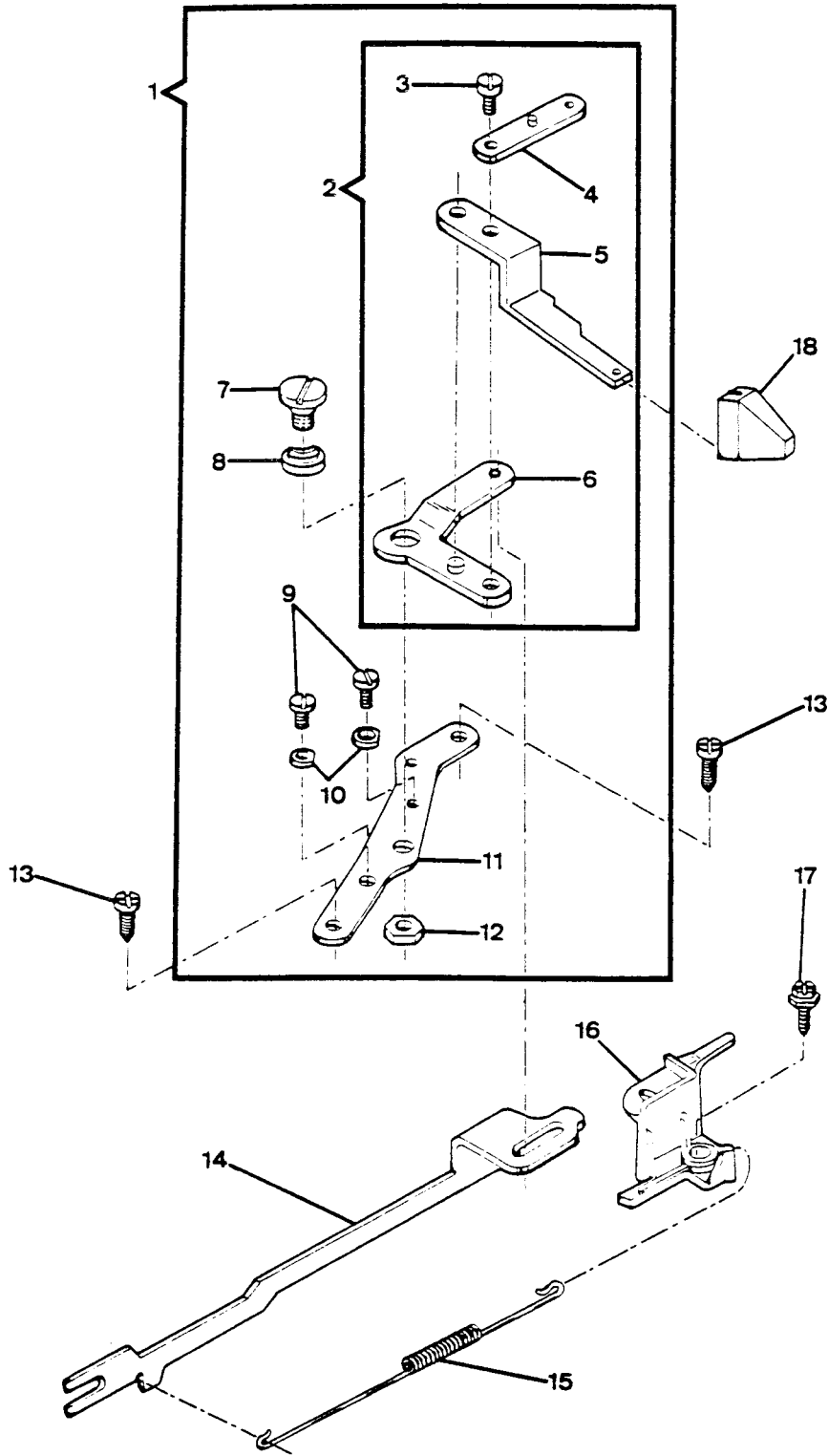


PART LIST
HOOK SYSTEM

5 5 5 5 5
8 8 8 8 8
0 0 0 0 1
2 5 6 8 0

REF.	PART NBR	DESCRIPTION					
01	172336	ROTATING HOOK BOBBIN (PLASTIC)	X	X	X	X	X
02	421325	ROTATING HOOK BOBBIN CASE	X	X	X	X	X
03	314715	ROTATING HOOK BOBBIN CASE TENSION SPRING	X	X	X	X	X
04	310884-451	ROTATING HOOK BOBBIN CASE TENSION SPRING SEGMENT	X	X	X	X	X
05	354183-452	ROTATING HOOK BOBBIN CASE TENSION REGULATING SCREW	X	X	X	X	X
06	139975-803	ROTATING HOOK BOBBIN CASE TENSION SPRING SEGMENT SCREW	X	X	X	X	X
07	353366	ROTATING HOOK COMPLETE	X	X	X	X	X
08	353453	ROTATING HOOK WEAR WASHER	X	X	X	X	X
09	382861-906	ROTATING HOOK BELT DRIVE PULLEY WASHER	X	X	X	X	X
10	446235	ROTATING HOOK BELT DRIVE PULLEY	X	X	X	X	X
11	141803-830	ROTATING HOOK BELT DRIVE PULLEY SCREW	X	X	X	X	X
12	353511	ROTATING HOOK BOBBIN CASE RETAINING PLATE ASSEMBLY	X	X	X	X	X
13	44892	ROTATING HOOK BOBBIN CASE RETAINING PLATE STUD SPRING	X	X	X	X	X
14	445808	ROTATING HOOK BOBBIN CASE RETAINING PLATE STUD WASHER	X	X	X	X	X
15	353509	ROTATING HOOK BOBBIN CASE RETAINING PLATE RETAINING RING	X	X	X	X	X
16	113430-451	ROTATING HOOK BOBBIN CASE POSITION PLATE SCREW	X	X	X	X	X
17	113430-451	ROTATING HOOK BOBBIN CASE RETAINING PLATE SCREW	X	X	X	X	X
18	44873-001	ROTATING HOOK BOBBIN CASE POSITION PLATE	X	X	X	X	X
19	353410	ROTATING HOOK FLANGED BUSHING (ECCENTRIC)	X	X	X	X	X

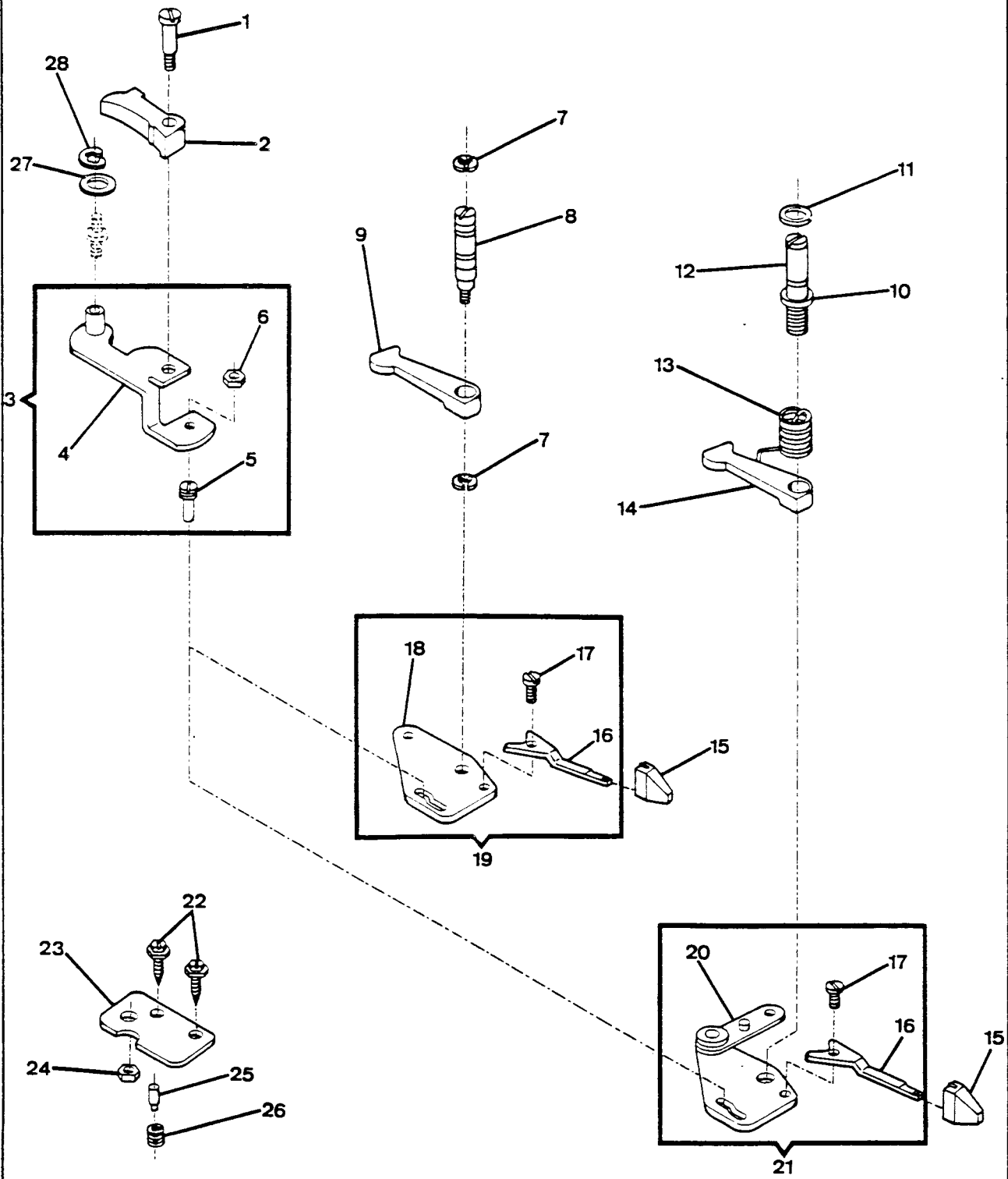
BIGHT AMPLITUDE



PART LIST
BIGHT AMPLITUDE

REF.	PART NBR	DESCRIPTION	5	5	5	5	5
			8	8	8	8	8
			0	0	0	0	1
			2	5	6	8	0
01	356057	BIGHT AMPLITUDE CONTROL LEVER MOUNTING BRACKET COMPLETE	X				
01	356113	BIGHT AMPLITUDE CONTROL LEVER MOUNTING BRACKET COMPLETE		X	X	X	X
02	356058	BIGHT AMPLITUDE CONTROL LEVER SUB-ASSEMBLY	X				
02	356114	BIGHT AMPLITUDE CONTROL LEVER SUB-ASSEMBLY		X	X	X	X
03	141913-451	BIGHT AMPLITUDE CONTROL LEVER SCREW	X				
03	139866-451	BIGHT AMPLITUDE CONTROL LEVER SCREW		X	X	X	X
04	44556	BUTTONHOLER BIGHT CONTROL CAM FOLLOWER LEVER LINK (LEFT)		X	X	X	X
05	356061	BIGHT AMPLITUDE CONTROL LEVER	X	X	X	X	X
06	37246	BIGHT AMPLITUDE CONTROL LEVER LINK	X	X	X	X	X
07	354825-451	BIGHT AMPLITUDE CONTROL LEVER LINK HINGE SCREW	X	X	X	X	X
08	49204	BIGHT AMPLITUDE CONTROL LEVER LINK HINGE SCREW FRICTION WASHER	X	X	X	X	X
09	141913-451	BIGHT AMPLITUDE CONTROL LEVER LINK STOP SCREW	X	X	X	X	X
10	446904	BIGHT AMPLITUDE CONTROL LEVER LINK STOP	X	X	X	X	X
11	531793	BIGHT AMPLITUDE CONTROL LEVER MOUNTING BRACKET	X	X	X	X	X
12	54591-451	BIGHT AMPLITUDE CONTROL LEVER LINK HINGE SCREW NUT	X	X	X	X	X
13	113455-001	BIGHT AMPLITUDE CONTROL LEVER MOUNTING BRACKET SCREW	X	X	X	X	X
14	37933-001	NEEDLE BAR DRIVING ARM	X	X	X	X	X
15	37942	NEEDLE BAR DRIVING ARM TENSION SPRING	X	X	X	X	X
16	445780	LIGHT LEAD SHIELD & NEEDLE BAR DRIVING ARM TENSION SPRING MOUNTING PLATE	X	X	X	X	X
17	113455-004	LIGHT LEAD SHIELD & NEEDLE BAR DRIVING ARM TENSION SPRING MOUNTING PLATE SCREW	X	X	X	X	X
18	356204-451	BIGHT AMPLITUDE CONTROL LEVER KNOB	X	X	X	X	X

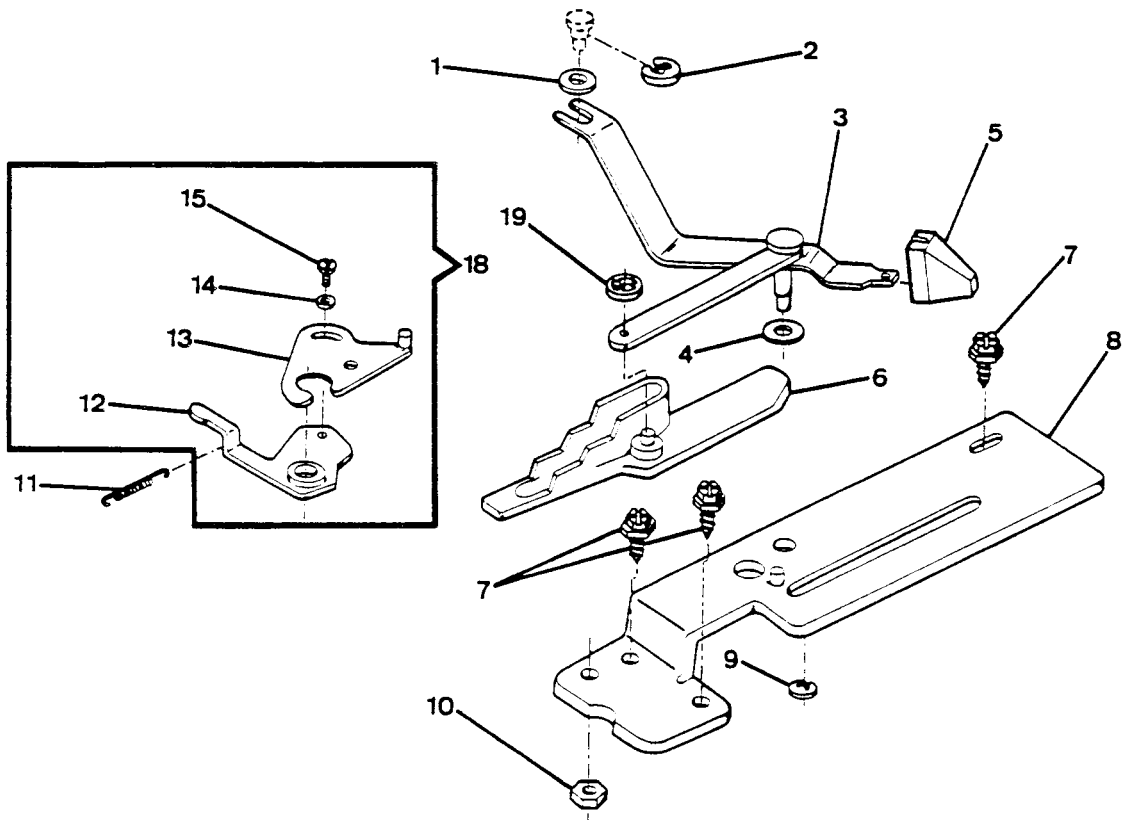
NEEDLE POSITION



PART LIST
NEEDLE POSITION

REF.	PART NBR	DESCRIPTION	5	5	5	5	5
			8	8	8	8	8
			0	0	0	0	1
			2	5	6	8	0
01	354642-451	NEEDLE BAR DRIVING ARM SLIDE SCREW	X	X	X	X	X
02	445840	NEEDLE BAR DRIVING ARM SLIDE	X	X	X	X	X
03	531639	NEEDLE BAR DRIVING ARM SLIDE BRACKET COMPLETE	X	X	X	X	X
03	531639	NEEDLE BAR DRIVING ARM SLIDE BRACKET ASSEMBLY	X	X	X	X	X
04	531636	NEEDLE BAR DRIVING ARM SLIDE BRACKET	X	X	X	X	X
05	445347	NEEDLE POSITION SELECTOR LEVER BRACKET FOLLOWER SCREW STUD	X	X	X	X	X
06	53641-819	NEEDLE POSITION SELECTOR LEVER BRACKET FOLLOWER SCREW STUD NUT	X	X	X	X	X
07	44371	DISC FOLLOWER STUD RETAINING RING (UPPER & LOWER)	X				
08	446023	DISC FOLLOWER STUD	X				
09	445646	DISC FOLLOWER	X				
10	353585	DISC FOLLOWER STUD COLLAR		X	X	X	X
11	353548	DISC FOLLOWER STUD WASHER		X	X	X	X
12	353584	DISC FOLLOWER STUD		X	X	X	X
13	179897	DISC FOLLOWER SPRING		X	X	X	X
14	446404	DISC FOLLOWER		X	X	X	X
15	356204-451	NEEDLE POSITION SELECTOR LEVER KNOB	X	X	X	X	X
16	356065	NEEDLE POSITION SELECTOR LEVER	X	X	X	X	X
17	141913-451	NEEDLE POSITION SELECTOR LEVER SCREW	X	X	X	X	X
18	353547	NEEDLE POSITION SELECTOR LEVER BRACKET	X				
19	356063	NEEDLE POSITION SELECTOR LEVER ASSEMBLY	X				
20	353539	NEEDLE POSITION SELECTOR LEVER BRACKET		X	X	X	X
21	356062	NEEDLE POSITION SELECTOR LEVER BRACKET COMPLETE		X	X	X	X
22	113455-001	NEEDLE POSITION SELECTOR LEVER MOUNTING PLATE SCREW	X				
23	446401	NEEDLE POSITION SELECTOR LEVER MOUNTING PLATE	X				
24	54591-451	DISC FOLLOWER STUD NUT	X				
25	319690	NEEDLE POSITION SELECTOR LEVER BRACKET POSITIONING PIN	X	X	X	X	X
26	444800	NEEDLE POSITION SELECTOR LEVER BRACKET POSITIONING PIN SPRING	X	X	X	X	X
27	445539	NEEDLE BAR VIBRATING BRACKET HINGE PIN RETAINING RING	X	X	X	X	X
28	445721	NEEDLE BAR DRIVING ARM SLIDE BRACKET RETAINING RING	X	X	X	X	X

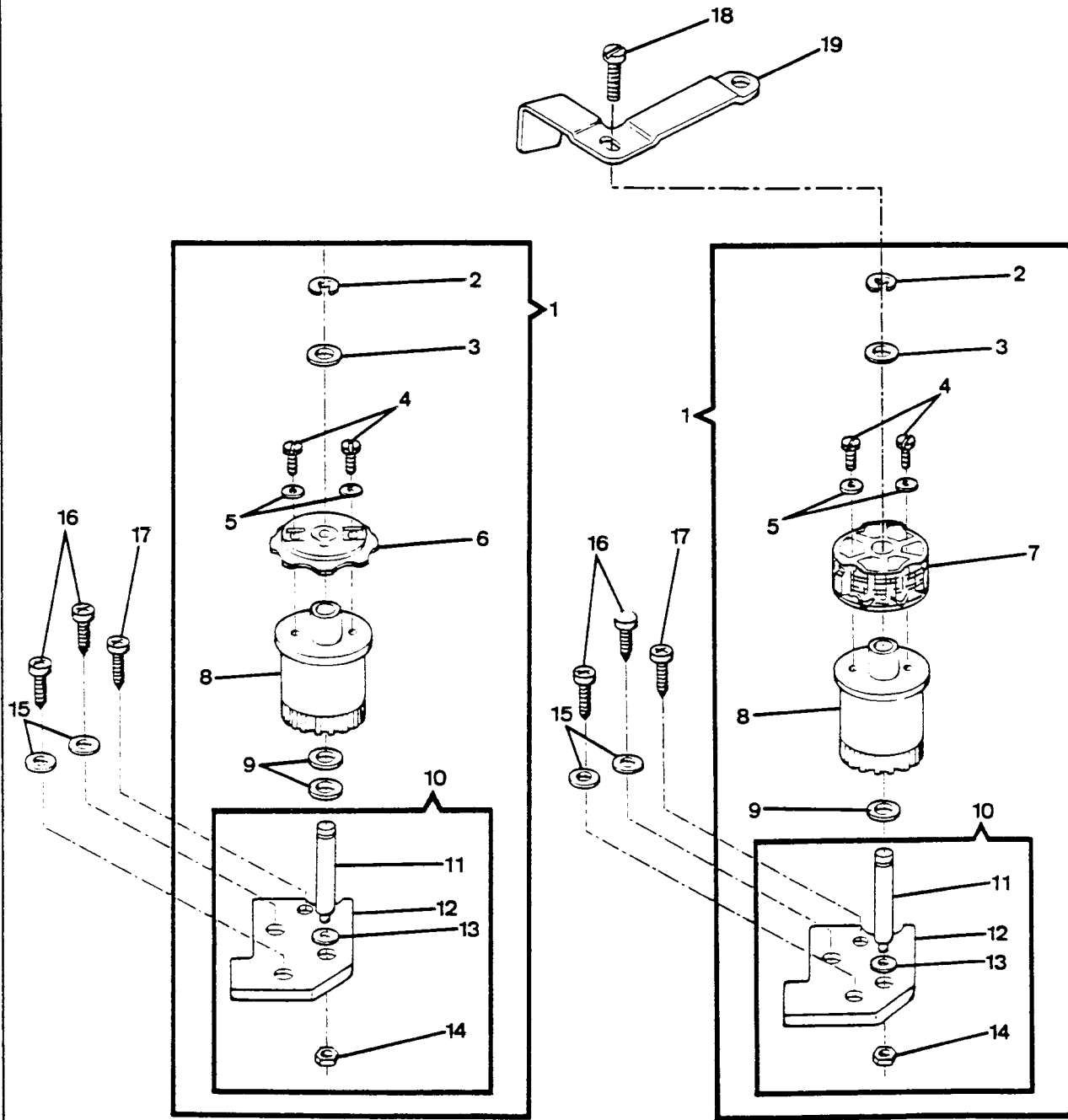
DISC SELECTOR ASSEMBLY



PART LIST
DISC SELECTION ASSEMBLY

REF.	PART NBR	DESCRIPTION	5	5	5	5	5
			8	8	8	8	8
			0	0	0	0	1
			2	5	6	8	0
01	444923-453	PATTERN SELECTOR LEVER HINGE STUD WASHER	X	X	X	X	X
02	445486	PATTERN SELECTOR LEVER RETAINING RING	X	X	X	X	X
03	356069	PATTERN SELECTOR LEVER COMPLETE	X	X	X	X	X
04	313190-451	PATTERN SELECTOR DRIVE STUD WASHER	X	X	X	X	X
05	356204-451	NEEDLE POSITION SELECTOR LEVER KNOB	X	X	X	X	X
06	353322	PATTERN SELECTOR CAM SLIDE			X		
06	446406	PATTERN SELECTOR CAM SLIDE	X				X
06	353323	PATTERN SELECTOR CAM SLIDE				X	
07	113455-001	PATTERN SELECTOR MOUNTING PLATE SCREW	X	X	X	X	X
08	446405	PATTERN SELECTOR MOUNTING PLATE COMPLETE	X	X	X	X	X
09	408030	PATTERN SELECTOR LEVER RETAINING RING	X	X	X	X	X
10	54591-451	DISC FOLLOWER STUD NUT	X	X	X	X	X
11	446415	DISC FOLLOWER DISENGAGING LEVER SPRING	X	X	X	X	X
12	446412	DISC FOLLOWER DISENGAGING LEVER	X	X	X	X	X
13	446411	DISC FOLLOWER DISENGAGING LEVER PLATE ASSEMBLY	X	X	X	X	X
14	445808-452	DISC FOLLOWER DISENGAGING LEVER PLATE ADJUSTING SCREW WASHER	X	X	X	X	X
15	141913-451	DISC FOLLOWER DISENGAGING LEVER PLATE ADJUSTING SCREW	X	X	X	X	X
18	446410	DISC FOLLOWER DISENGAGING LEVER PLATE COMPLETE	X	X	X	X	X
19	446417	PATTERN SELECTOR CAM SLIDE CONNECTING LINK RETAINING RING	X	X	X	X	X

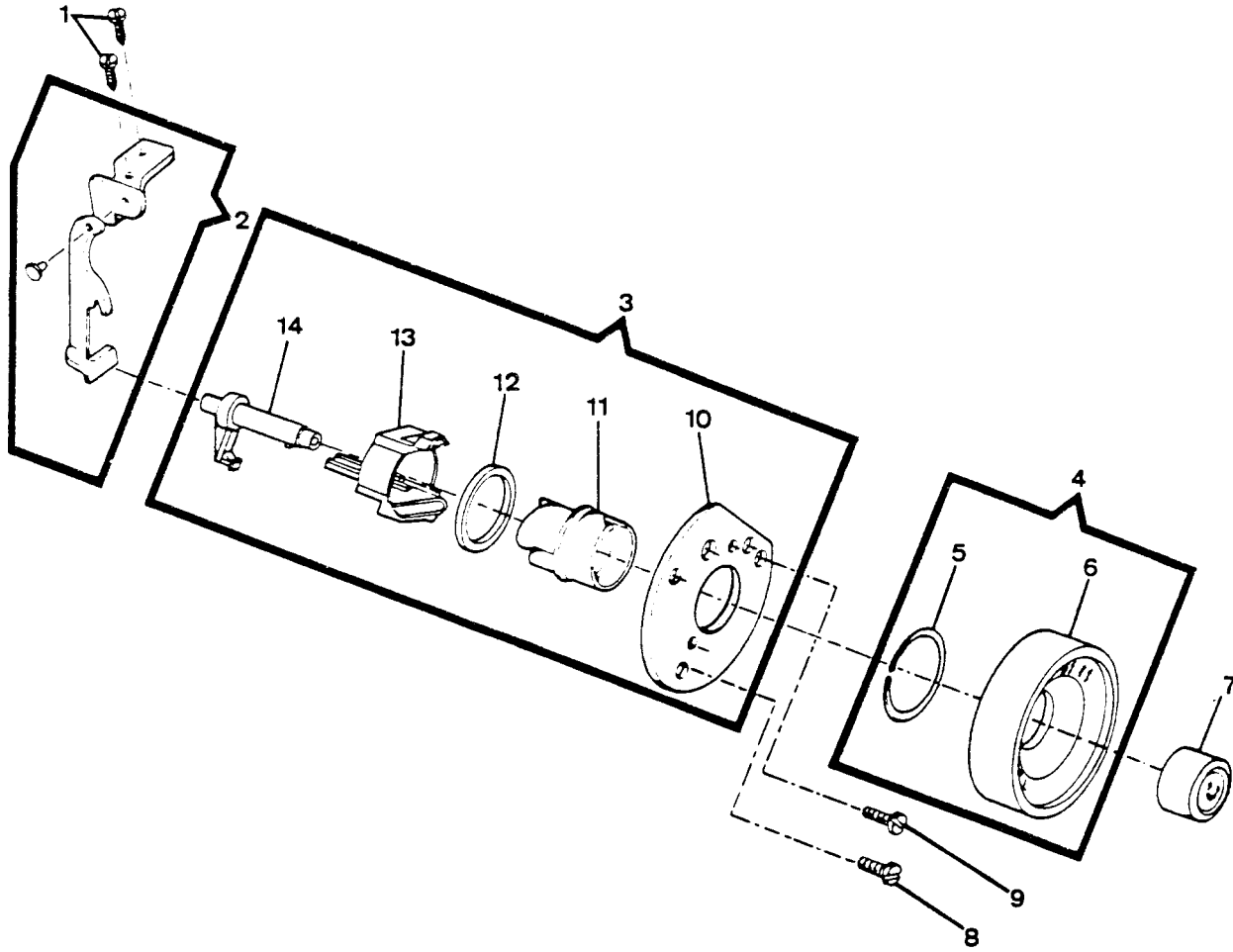
CAM STACK



PART LIST
CAM STACK

REF.	PART NBR	DESCRIPTION	5	5	5	5	5
			8	8	8	8	8
			0	0	0	0	1
			2	5	6	8	0
01	446421	DISC DRIVING GEAR COMPLETE	X				
01	353288	DISC DRIVING GEAR COMPLETE		X			
01	353288-001	DISC DRIVING GEAR COMPLETE			X	X	X
02	444921	DISC DRIVING GEAR RETAINING RING	X	X	X	X	X
03	444923-453	DISC DRIVING GEAR SHAFT FRICTION WASHER	X	X	X	X	X
04	113375-451	DISC STACK POSITIONING SCREW	X				
04	141920-453	DISC STACK POSITIONING SCREW		X	X	X	X
05	179957-451	DISC STACK POSITIONING SCREW WASHER	X				
05	446138	DISC STACK POSITIONING SCREW WASHER		X	X	X	X
06	445762	DISC STACK (PLASTIC)	X				
07	353287	DISC STACK (PLASTIC)		X	X	X	X
08	179958	DISC DRIVING GEAR	X				
08	445754	DISC DRIVING GEAR		X	X	X	X
09	353395-001	DISC DRIVING GEAR SHAFT SPACER		X	X	X	X
09	353395-002	DISC DRIVING GEAR SHAFT SPACER	X	X	X	X	X
09	444923-451	DISC DRIVING GEAR SHAFT SPACER	X	X	X	X	X
10	446420	DISC DRIVING GEAR SHAFT MOUNTING PLATE ASSEMBLY	X	X			
10	446420-001	DISC DRIVING GEAR SHAFT MOUNTING PLATE ASSEMBLY			X	X	X
11	446418	DISC DRIVING GEAR SHAFT	X	X			
11	446418-001	DISC DRIVING GEAR SHAFT			X	X	X
12	353575	DISC DRIVING GEAR SHAFT MOUNTING PLATE	X	X	X	X	X
13	353488	DISC DRIVING GEAR SHAFT WASHER	X	X	X	X	X
14	53648-451	DISC DRIVING GEAR SHAFT NUT	X	X	X	X	X
15	353375-451	DISC DRIVING GEAR SHAFT MOUNTING PLATE SCREW WASHER	X	X	X	X	X
16	113435-451	DISC DRIVING GEAR SHAFT MOUNTING PLATE SCREW	X	X	X	X	X
17	113455-001	DISC DRIVING GEAR SHAFT MOUNTING PLATE SCREW	X	X	X	X	X
18	354654-451	DISC DRIVING GEAR (COMPLETE) SUPPORT MOUNTING SCREW			X	X	X
19	353440-900	DISC DRIVING GEAR (COMPLETE) SUPPORT BRACKET			X	X	X

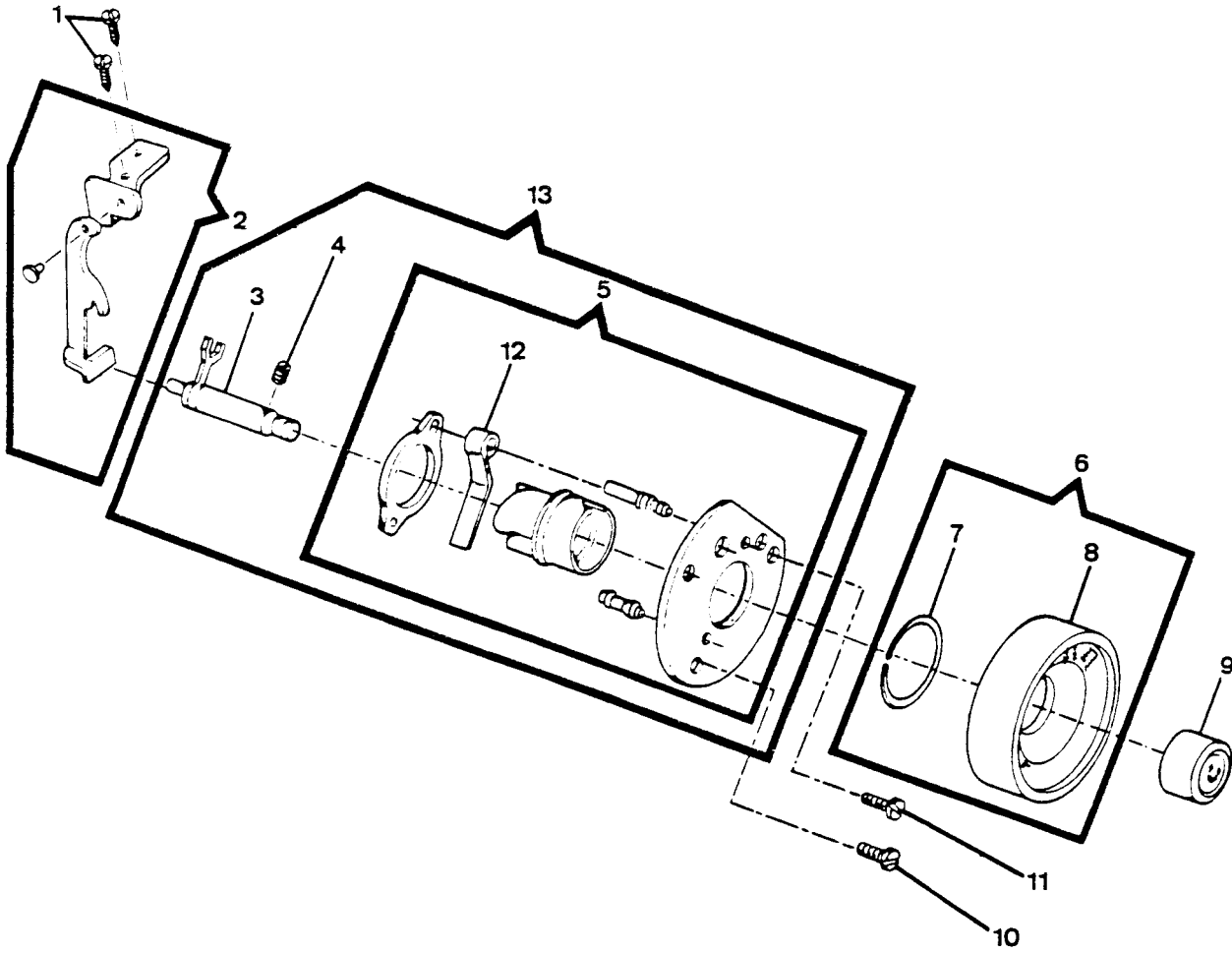
FEEED REGULATOR CAM



PART LIST
FEED REGULATOR CAM

REF.	PART NBR	DESCRIPTION	5	5	5	5	5
			8	8	8	8	8
			0	0	0	0	1
			2	5	6	8	0
01	113455-001	FEED REGULATOR CONTROL ARM MOUNTING BRACKET SCREW					X
02	353304	FEED REGULATOR CONTROL ARM ASSEMBLY					X
03	353478	FEED REGULATOR CAM					X
04	356066-451	FEED REGULATOR CONTROL DIAL ASSEMBLY					X
05	445461	FEED REGULATOR CONTROL DIAL RETAINING RING					X
06	356067-451	FEED REGULATOR CONTROL DIAL					X
07	356115-451	FEED REGULATOR POSITIONING PIN KNOB					X
08	531807-451	FEED REGULATOR MOUNTING PLATE SCREW (LEFT)					X
09	531806-451	FEED REGULATOR MOUNTING PLATE SCREW (RIGHT)					X
10	446283	FEED REGULATOR MECHANISM MOUNTING PLATE					X
11	353477	FEED REGULATOR CAM (PLASTIC)					X
12	446282	FEED REGULATOR FRICTION WASHER					X
13	446284	FEED REGULATOR MOUNTING PLATE					X
14	353476	FEED REGULATOR POSITIONING PIN BRACKET					X

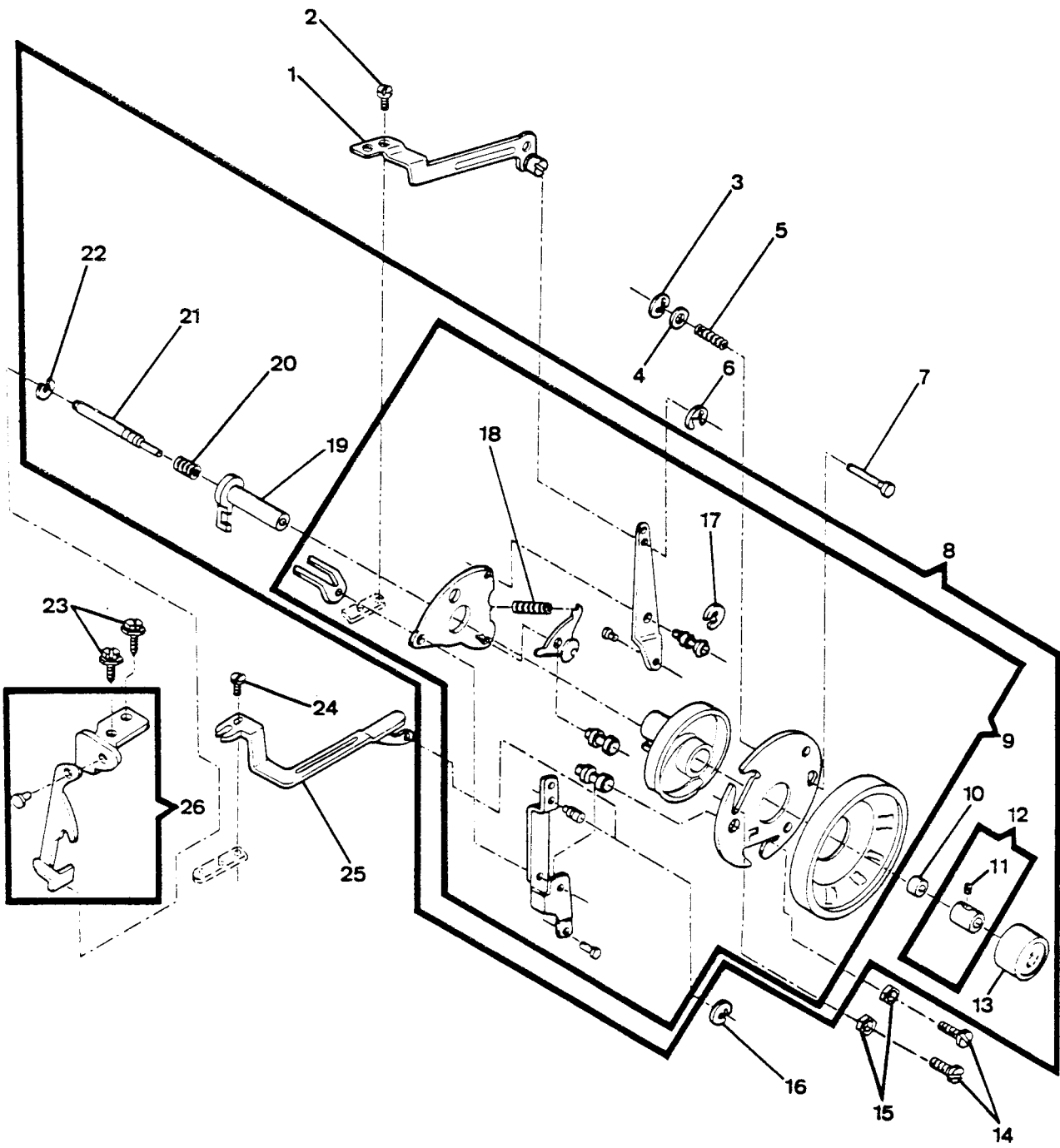
FEED REGULATOR CAM (ALTERNATE)



PART LIST
FEED REGULATOR CAM (ALTERNATE)

REF.	PART NBR	DESCRIPTION	5	5	5	5	5
			8	8	8	8	8
			0	0	0	0	1
			2	5	6	8	0
01	113455-001	FEED REGULATOR CONTROL ARM MOUNTING BRACKET SCREW					X
02	353304	FEED REGULATOR CONTROL ARM ASSEMBLY					X
03	353472	FEED REGULATOR CAM FOLLOWER					X
04	37970	FEED REGULATOR CAM FOLLOWER STUD					X
05	445652	FEED REGULATOR CAM ASSEMBLY					X
06	356066-451	FEED REGULATOR CONTROL DIAL ASSEMBLY					X
07	445461	FEED REGULATOR CONTROL DIAL RETAINING RING					X
08	356067-451	FEED REGULATOR CONTROL DIAL					X
09	356115-451	FEED REGULATOR POSITIONING PIN KNOB					X
10	531807-451	FEED REGULATOR MOUNTING PLATE SCREW (LEFT)					X
11	531806-451	FEED REGULATOR MOUNTING PLATE SCREW (RIGHT)					X
12	44420	FEED REGULATOR CAM FRICTION SPRING					X
13	353487	FEED REGULATOR CAM COMPLETE					X

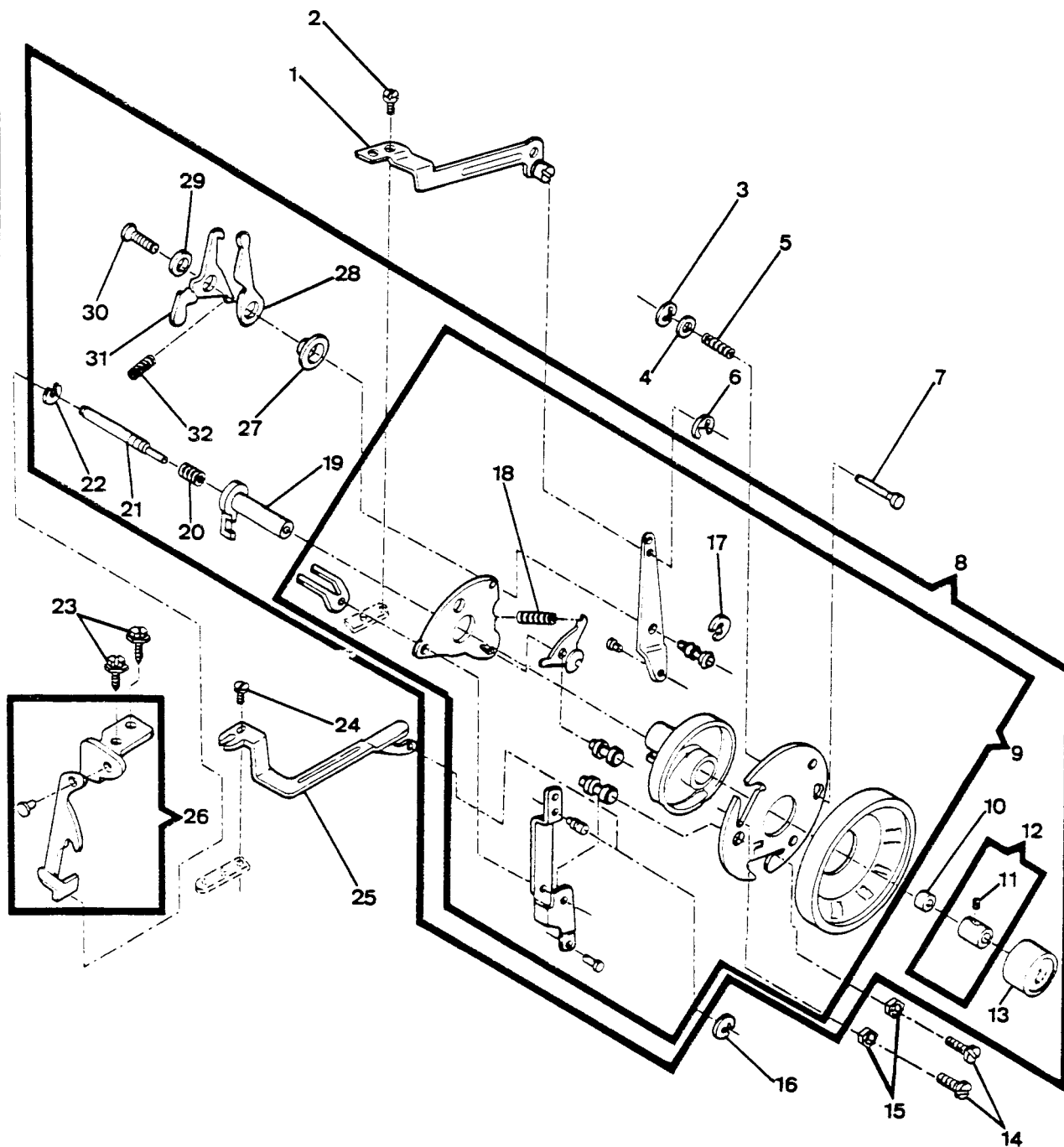
BUTTONHOLER & FEED REGULATOR CAM



PART LIST
 BUTTONHOLER & FEED REGULATOR CAM

REF.	PART NBR	DESCRIPTION	5	5	5	5	5
			5	5	5	5	5
			8	8	8	8	8
			0	0	0	0	1
			2	5	6	8	0
=====							
01	356233	BUTTONHOLER NEEDLE POSITION CAM FOLLOWER LEVER LINK (RIGHT)					X
02	141913-451	BUTTONHOLER NEEDLE POSITION CAM FOLLOWER LEVER LINK (LEFT AND RIGHT) SCREW					X
03	408030	BUTTONHOLER & FEED REGULATOR MECHANISM MOUNTING PLATE STUD RETAINING RING					X
04	549426-451	BUTTONHOLER & FEED REGULATOR MECHANISM MOUNTING PLATE STUD SPRING WASHER					X
05	179949	BUTTONHOLER & FEED REGULATOR MECHANISM MOUNTING PLATE STUD SPRING					X
06	445486	BUTTONHOLER NEEDLE POSITION CAM FOLLOWER LEVER LINK (RIGHT) RETAINING RING					X
07	356230	BUTTONHOLER & FEED REGULATOR MECHANISM MOUNTING PLATE STUD					X
08	356078-451	BUTTONHOLER & FEED REGULATOR CAM COMPLETE					X
09	356079-451	BUTTONHOLER & FEED REGULATOR CAM ASSEMBLY					X
10	445945	REVERSE FEED CAM FOLLOWER					X
11	113433-451	FEED REGULATOR POSITIONING PIN KNOB ADAPTOR SET SCREW					X
12	353445	FEED REGULATOR POSITIONING PIN KNOB ADAPTOR					X
13	356082-451	FEED REGULATOR POSITIONING PIN KNOB					X
14	113513-451	BUTTONHOLER & FEED REGULATOR MECHANISM MOUNTING PLATE SCREW					X
15	353588-451	BUTTONHOLER & FEED REGULATOR MECHANISM MOUNTING PLATE SCREW NUT					X
16	445486	BUTTONHOLER BIGHT CONTROL CAM FOLLOWER LEVER LINK (RIGHT) RETAINING RING					X
17	44472	BUTTONHOLER NEEDLE POSITION CAM FOLLOWER LEVER RETAINING RING					X
18	353495	BUTTONHOLER & FEED REGULATOR CONTROL DIAL PAWL SPRING					X
19	353305	FEED REGULATOR POSITIONING PIN CARRIER					X
20	44612	FEED REGULATOR POSITIONING PIN FRICTION SPRING					X
21	353446	FEED REGULATOR POSITIONING PIN					X
22	445721	FEED REGULATOR POSITIONING PIN FRICTION SPRING RETAINING RING					X
23	113455-001	FEED REGULATOR CONTROL ARM MOUNTING BRACKET SCREW					X
24	141913-451	BUTTONHOLER BIGHT CONTROL CAM FOLLOWER LEVER LINK (LEFT & RIGHT) SCREW					X
25	356081	BUTTONHOLER BIGHT CONTROL CAM FOLLOWER LEVER LINK					X
26	353304	FEED REGULATOR CONTROL ARM ASSEMBLY					X

BUTTONHOLER & FEED REGULATOR CAM (ALTERNATE)

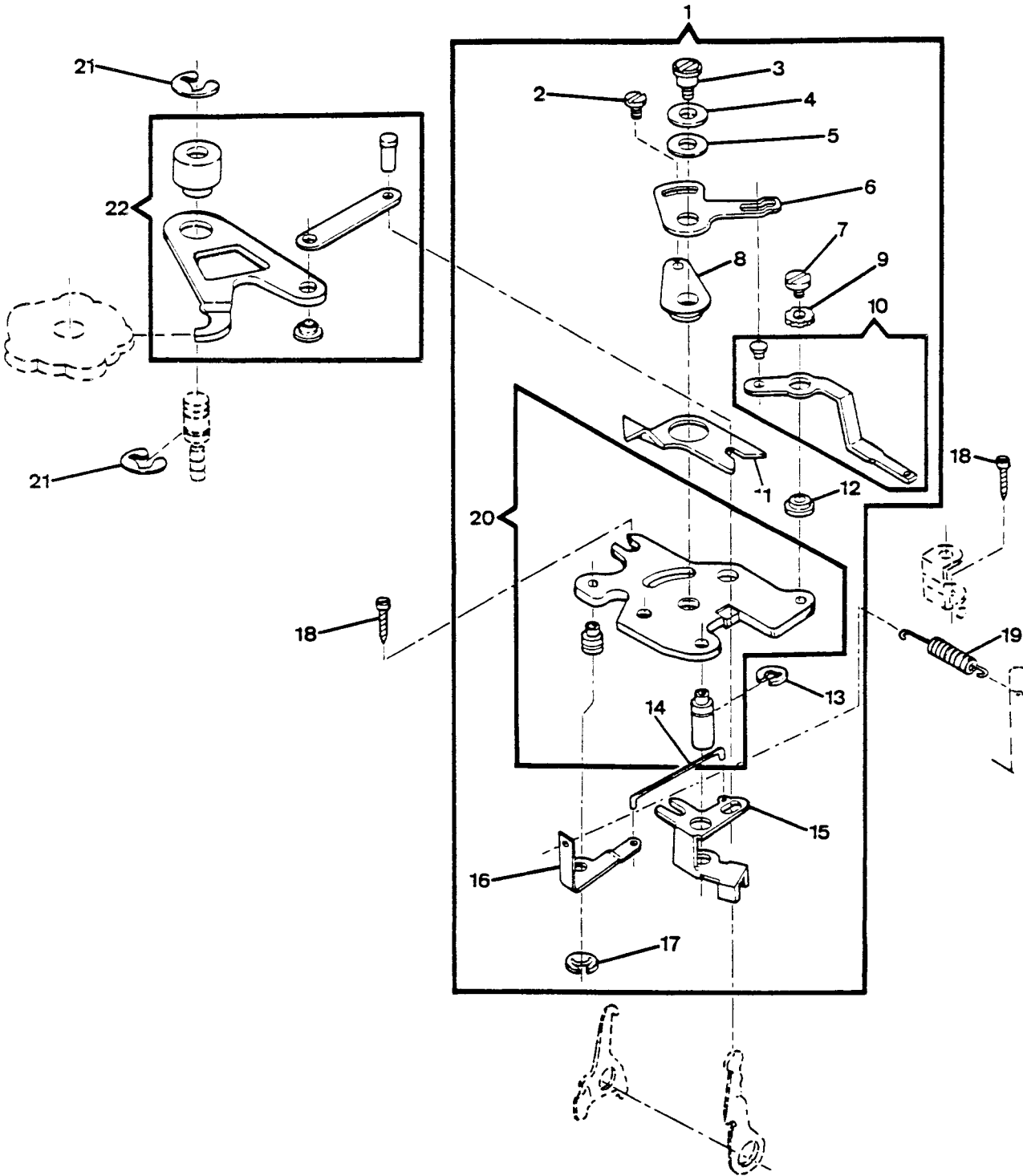


PART LIST

BUTTONHOLER & FEED REGULATOR CAM (ALTERNATE) 5 5 5 5 5
 8 8 8 8 8
 0 0 0 0 1
 2 5 6 8 0

REF.	PART NBR	DESCRIPTION					
01	356233	BUTTONHOLER NEEDLE POSITION CAM FOLLOWER LEVER LINK (RIGHT)				X	X X
02	141913-451	BUTTONHOLER NEEDLE POSITION CAM FOLLOWER LEVER LINK (LEFT & RIGHT) SCREW				X	X X
03	408030	BUTTONHOLER & FEED REGULATOR MECHANISM MOUNTING PLATE RETAINING RING				X	X X
04	549426-451	BUTTONHOLER & FEED REGULATOR MECHANISM MOUNTING PLATE STUD SPRING WASHER				X	X X
05	179949	BUTTONHOLER & FEED REGULATOR MECHANISM MOUNTING PLATE STUD SPRING				X	X X
06	445486	BUTTONHOLER BIGHT CONTROL CAM FOLLOWER LEVER LINK (RIGHT) RETAINING RING				X	X X
07	356230	BUTTONHOLER & FEED REGULATOR MECHANISM MOUNTING PLATE STUD				X	X X
08	356085-451	BUTTONHOLER & FEED REGULATOR CAM COMPLETE				X	X X
09	356086-451	BUTTONHOLER & FEED REGULATOR CAM ASSEMBLY				X	X X
10	445945	REVERSE FEED CAM FOLLOWER				X	X X
11	113433-451	FEED REGUL.POSIT.PIN KNOB ADAPTOR SET SCREW				X	X X
12	353445	FEED REGULATOR POSITIONING PIN KNOB ADAPTOR				X	X X
13	356082-451	FEED REGULATOR POSITIONING PIN KNOB				X	X X
14	113513-451	BUTTONHOLER & FEED REGULATOR MECHANISM MOUNTING PLATE SCREW				X	X X
15	353588-451	BUTTONHOLER & FEED REGULATOR MECHANISM MOUNTING PLATE SCREW NUT				X	X X
16	445486	BUTTONHOLER BIGHT CONTROL CAM FOLLOWER LEVER LINK (RIGHT) RETAINING RING				X	X X
17	44472	BUTTONHOLER NEEDLE POSITION CAM FOLLOWER LEVER RETAINING RING				X	X X
18	353495	BUTTONHOLER & FEED REGULATOR CONTROL DIAL PAWL SPRING				X	X X
19	353305	FEED REGULATOR POSITIONING PIN CARRIER				X	X X
20	44612	FEED REGULATOR POSIT. PIN FRICTION SPRING				X	X X
21	353446	FEED REGULATOR POSITIONING PIN				X	X X
22	445721	FEED REGULATOR POSITIONING PIN FRICTION SPRING RETAINING RING				X	X X
23	113455-001	FEED REGULATOR CONTROL ARM MOUNTING BKT.SCREW				X	X X
24	141913-451	BUTTONHOLER BIGHT CONTROL CAM FOLLOWER LEVER LINK (LEFT & RIGHT) SCREW				X	X X
25	356081	BUTTONHOLER BIGHT CONTROL CAM FOLLOWER LEVER LINK				X	X X
26	353304	FEED REGULATOR CONTROL ARM ASSEMBLY				X	X X
27	353319	CAM CONTROL FEED ENGAGING CAM FOLLOWER & LEVER BUSHING				X	X X
28	353321	CAM CONTROL FEED ENGAGING CAM FOLLOWER LEVER				X	X X
29	445539	CAM CONTROL FEED ENGAGING CAM FOLLOWER & LEVER WASHER				X	X X
30	113372-451	CAM CONTROL FEED ENGAGING CAM FOLLOWER & LEVER MOUNTING SCREW				X	X X
31	353320	CAM CONTROL FEED ENGAGING CAM FOLLOWER				X	X X
32	353495	CAM CONTROL FEED ENGAGING CAM FOLLOWER & LEVER SPRING				X	X X

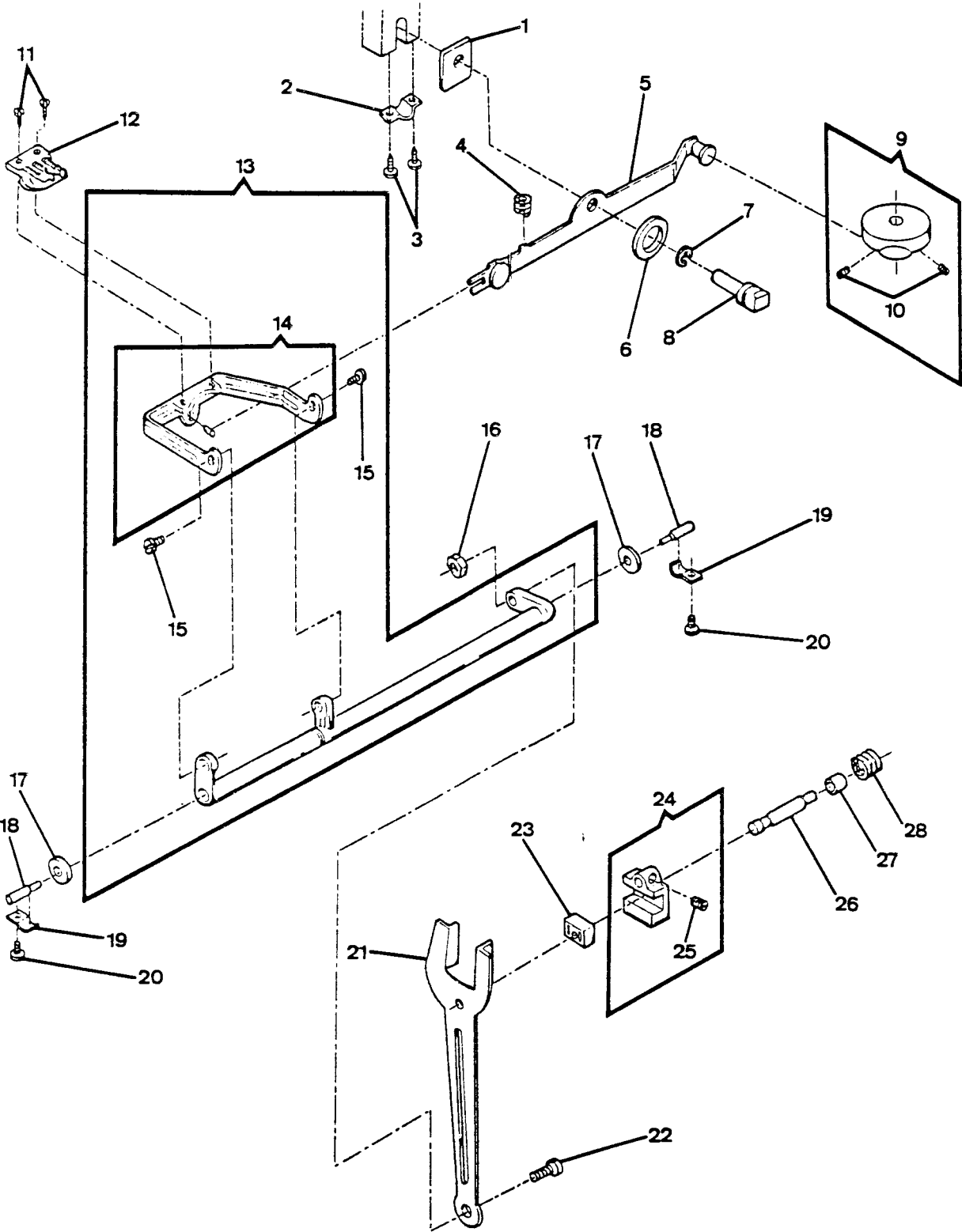
CAM CONTROLLED FEED



PART LIST
CAM CONTROLLED FEED

REF.	PART NBR	DESCRIPTION	5	5	5	5	5
			5	5	5	5	5
			8	8	8	8	8
			0	0	0	0	1
			2	5	6	8	0
=====							
01	356074	CAM CONTROLLED FEED MOUNTING BRACKET COMPLETE				X	X X
02	141913-451	CAM CONTROLLED FEED BALANCE ADJUSTING SCREW				X	X X
03	113423-451	CAM CONTROLLED FEED BALANCE ADJUSTING SPRING HINGE SCREW				X	X X
04	543531	CAM CONTROLLED FEED BALANCE ADJUSTING SCREW WASHER				X	X X
05	353492	CAM CONTROLLED FEED BALANCE ADJUSTING SPRING WASHER				X	X X
06	531754	CAM CONTROLLED FEED BALANCE ADJUSTING PLATE				X	X X
07	113424-451	CAM CONTROLLED FEED BALANCE ADJUSTING LEVER HINGE SCREW				X	X X
08	353331	CAM CONTROLLED FEED DRIVING ARM ECCENTRIC				X	X X
09	422523	CAM CONTROLLED FEED BALANCE ADJUSTING LEVER WASHER				X	X X
10	356076	CAM CONTROLLED FEED BALANCE ADJUSTING LEVER				X	X X
11	353330	CAM CONTROLLED FEED DRIVING ARM				X	X X
12	353334	CAM CONTROLLED FEED BALANCE ADJUSTING LEVER MOUNTING BUSHING				X	X X
13	445721	CAM CONTROLLED FEED ENGAGING CRANK RETAINING RING				X	X X
14	353473	CAM CONTROLLED FEED ENGAGING CRANK LINK				X	X X
15	353329	CAM CONTROLLED FEED ENGAGING CRANK				X	X X
16	356166	CAM CONTROLLED FEED ENGAGING CRANK LEVER				X	X X
17	445486	FEED REGULATOR CONTROL ARM BIAS LINK ENGAGING LEVER RETAINING RING				X	X X
18	113455-001	CAM CONTROLLED FEED MOUNTING BRACKET SCREW				X	X X
19	356165	FEED REGULATOR CONTROL ARM BIAS LINK SPRING				X	X X
20	531750	CAM CONTROLLED FEED MOUNTING BRACKET (SUB-ASSEMBLY)				X	X X
21	445486	DISC FOLLOWER STUD RETAINING RING (UPPER & LOWER)				X	X X
22	353335	CAM CONTROLLED FEED FOLLOWER & LINK ASSEMBLY				X	X X

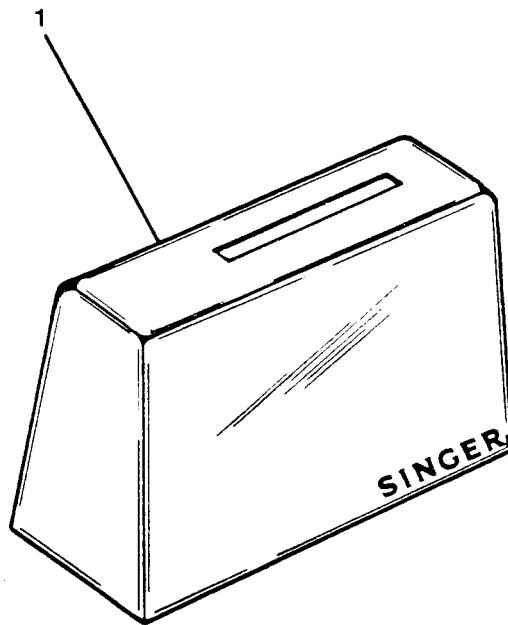
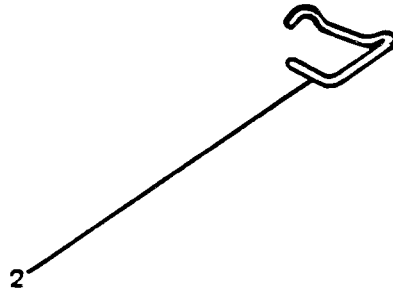
FEED SYSTEM



PART LIST
FEED SYSTEM

REF.	PART NBR	DESCRIPTION	5	5	5	5	5
			8	8	8	8	8
			0	0	0	0	1
			2	5	6	8	0
01	179955	FEED LIFTING LEVER HINGE STUD (ECCENTRIC) SPACER	X	X	X	X	X
02	446485	FEED LIFTING LEVER HINGE STUD (ECCENTRIC) CLAMP	X	X	X	X	X
03	113455-001	FEED LIFTING LEVER HINGE STUD (ECCENTRIC) CLAMP SCREW					
04	446249	FEED LIFTING LEVER SPRING	X	X	X	X	X
05	356222	FEED LIFTING LEVER	X	X	X	X	X
06	353427	FEED LIFTING LEVER HINGE STUD (ECCENTRIC) WASHER	X	X	X	X	X
07	353428	FEED LIFTING LEVER HINGE STUD (ECCENTRIC) RETAINING RING	X	X	X	X	X
08	353448	FEED LIFTING LEVER HINGE STUD (ECCENTRIC)	X	X	X	X	X
09	446228	FEED LIFTING CAM	X	X	X	X	X
10	544118	FEED LIFTING CAM SCREW	X	X	X	X	X
11	355235-451	FEED DOG SCREW	X	X	X	X	X
12	179891	FEED DOG	X	X	X	X	X
13	446216	FEED ROCK SHAFT COMPLETE	X	X	X	X	X
14	446205	FEED BAR ASSEMBLY	X	X	X	X	X
15	354939-451	FEED BAR HINGE SCREW	X	X	X	X	X
16	53648-451	FEED FORKED CONNECTING SCREW STUD NUT	X	X	X	X	X
17	353397	FEED ROCK SHAFT CENTER (LEFT) NOISE DAMPENING WASHER	X	X	X	X	X
18	446487	FEED ROCK SHAFT CENTER	X	X	X	X	X
19	445484	FEED ROCK SHAFT CENTER CLAMP (LEFT & RIGHT)	X	X	X	X	X
20	113455-001	FEED ROCK SHAFT CENTER SUPPORTING BRACKET SCREW	X	X	X	X	X
21	531926	FEED FORKED CONNECTING	X	X	X	X	X
22	531623-451	FEED FORKED CONNECTING HINGE SCREW (ECCENTRIC)	X	X	X	X	X
23	44437	FEED FORKED CONNECTING SLIDE BLOCK	X	X	X	X	X
24	446244	FEED REGULATOR ASSEMBLY	X	X	X	X	X
25	141925-833	FEED REGULATOR SET SCREW	X	X	X	X	X
26	446483	FEED REGULATOR HINGE STUD	X	X	X	X	X
27	445768	FEED REGULATOR RETURN SPRING BUSHING (PLASTIC)	X	X	X	X	X
28	179890	FEED REGULATOR RETURN SPRING	X	X	X	X	X

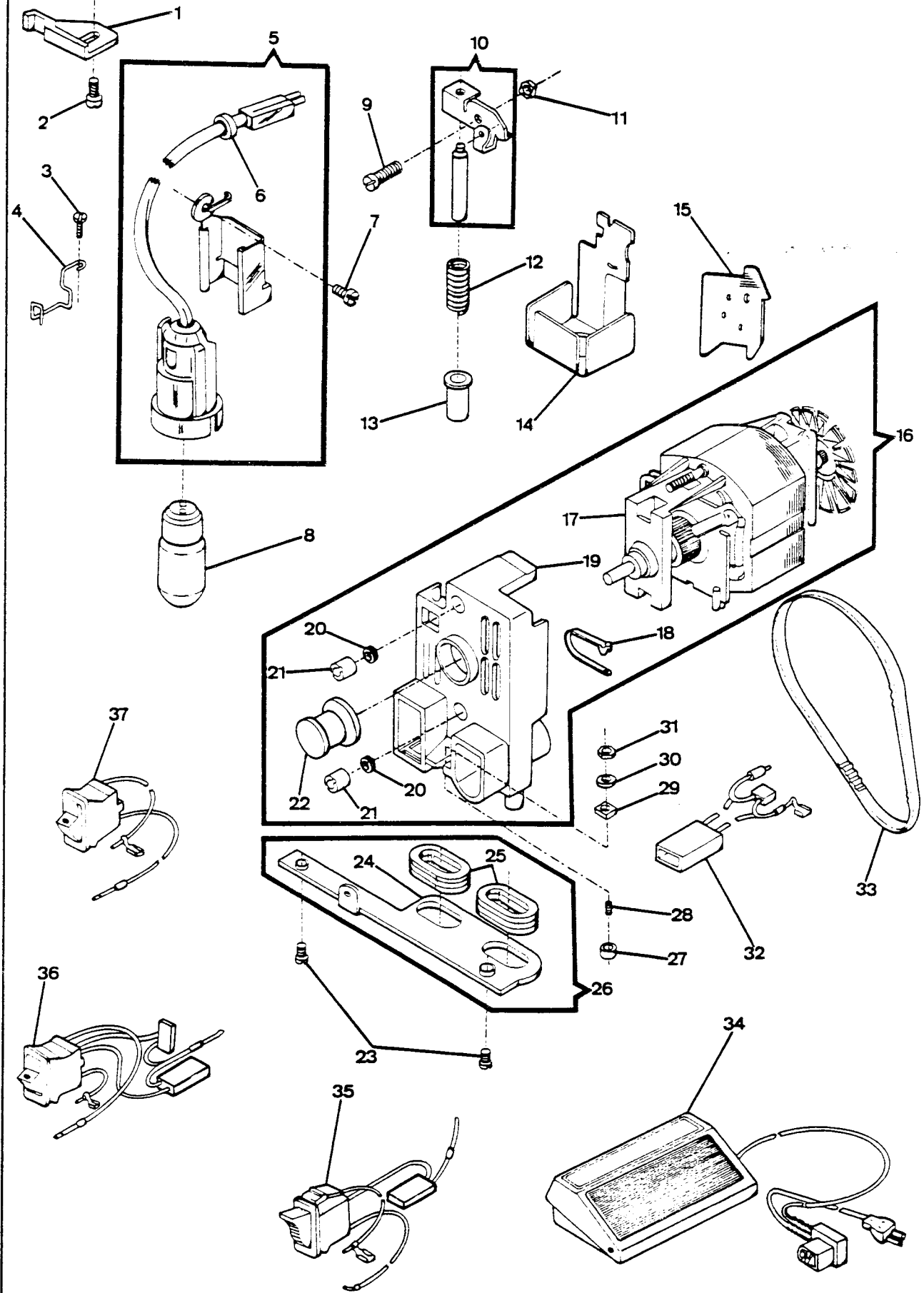
OPTIONS



PART LIST
 OPTIONS

REF.	PART NBR	DESCRIPTION	5	5	5	5	5
			8	8	8	8	8
			0	0	0	0	1
			2	5	6	8	0
01	356392-451	SOFT VINIL COVER (TUBULAR BED)	X	X	X	X	X
02	116863	FINGER GUARD	X	X	X	X	X

ELECTRICAL EQUIPMENT



PART LIST
ELECTRICAL EQUIPMENT

5 5 5 5 5
8 8 8 8 8
0 0 0 0 1
2 5 6 8 0

REF.	PART NBR	DESCRIPTION					
01	353411	LIGHT LEAD RETAINING CLIP	X	X	X	X	X
02	113504-451	LIGHT LEAD RETAINING CLIP MOUNTING SCREW	X	X	X	X	X
03	113455-001	LIGHT LEAD WIRE RETAINER MOUNTING SCREW	X	X	X	X	X
04	353247	LIGHT LEAD WIRE RETAINER	X	X	X	X	X
05		REFER TO CHARTS ON FOLLOWING PAGES					
06	179908	LIGHT LEAD GROMMET	X	X	X	X	X
07	141913-451	LIGHT SOCKET MOUNTING SCREW	X	X	X	X	X
08	988076-001	LAMP (120V)	X	X	X	X	X
08	988076-003	LAMP (220V)	X	X	X	X	X
08	988076-005	LAMP (250V)	X	X	X	X	X
09	113372-451	MOTOR GUIDE PIN MOUNTING BRACKET SCREW	X	X	X	X	X
10	446470	MOTOR GUIDE PIN MOUNTING BRACKET ASSEMBLY	X	X	X	X	X
11	313470-452	MOTOR GUIDE PIN MOUNTING BRACKET SCREW NUT	X	X	X	X	X
12	446473	MOTOR BELT TENSION SPRING	X	X	X	X	X
13	446475	MOTOR GUIDE PIN BUSHING	X	X	X	X	X
14	605087-001	HEAT SHIELD (FOR EUROPE)	X	X	X	X	X
15	179901	LIGHT SHIELD (WITHOUT GRAPHICS)	X	X	X	X	X
15	179910-451	LIGHT SHIELD WITH GRAPHICS	X	X	X	X	X
16		REFER TO CHARTS ON FOLLOWING PAGES					
17		REFER TO CHARTS ON FOLLOWING PAGES					
18	605600-001	TY RAP	X	X	X	X	X
19		REFER TO CHARTS ON FOLLOWING PAGES					
20	604018-003	MOTOR MODULE WASHER	X	X	X	X	X
21	603907-001	MOTOR MODULE NUT	X	X	X	X	X
22	988761-001	MOTOR PULLEY	X	X	X	X	X
23	113370-451	MOTOR MOUNTING PLATE SCREW	X	X	X	X	X
24	446476	MOTOR MOUNTING PLATE	X	X	X	X	X
25	353355	MOTOR MOUNTING PLATE GROMMET	X	X	X	X	X
26	446479	MOTOR MOUNTING PLATE ASSEMBLY	X	X	X	X	X
27	988887-001	MOTOR BELT SCREW CAP	X	X	X	X	X
28	113343-451	MOTOR BELT SCREW	X	X	X	X	X
29	179887	MOTOR BELT SCREW NUT	X	X	X	X	X
30	445539	MOTOR ADJUSTING SCREW LOCK NUT WASHER	X	X	X	X	X
31	353402-451	MOTOR ADJUSTING SCREW LOCK NUT	X	X	X	X	X
32	988768-001	LIGHT RECEPTACLE HARNESS (SURPRESSED) COMPLETE	X	X	X	X	X
33	353518-001	MOTOR BELT	X	X	X	X	X
34		REFER TO CHARTS ON FOLLOWING PAGES					
35		REFER TO CHARTS ON FOLLOWING PAGES					
36		REFER TO CHARTS ON FOLLOWING PAGES					
37		REFER TO CHARTS ON FOLLOWING PAGES					

ELECTRICAL EQUIPMENT

REF.	1 SPEED UNSURPRESSED	U.S	CANADA	EUROPE	GREAT BRITAIN
		(120V)	(120V)	(220V)	(240V)
3	LIGHT COMP.	NP0032-001	NP0032-001		
16	LIGHT SOCKET (ALT.)	NP0067-003	NP0067-003		
19	MOTOR COMPLETE	988759-001	988759-001		
20	SERIES MOTOR MODULE	988752-001	988752-001		
22	COMMUTATOR END	988760-002	988760-002		
37	CONTROLLER	988274-090	988274-090		
37	CONTROLLER (ALT.)	979314-013	979314-013		
40	SWITCH	988763-P01	988763-P01		
	<u>1 SPEED SURPRESSED</u>				
3	LIGHT COMP.			NP0032-002	NP0032-002
16	LIGHT SOCKER (ALT.)			-----	-----
19	MOTOR COMPLETE			988759-002	988759-003
20	SERIES MOTOR MODULE			988752-002	988752-003
22	COMMUTATOR END			988760-002	988760-002
37	CONTROLLER			988274-051	988274-055
37	CONTROLLER (ALT.)			979314-008	979314-009
40	SWITCH			988763-001	988763-001

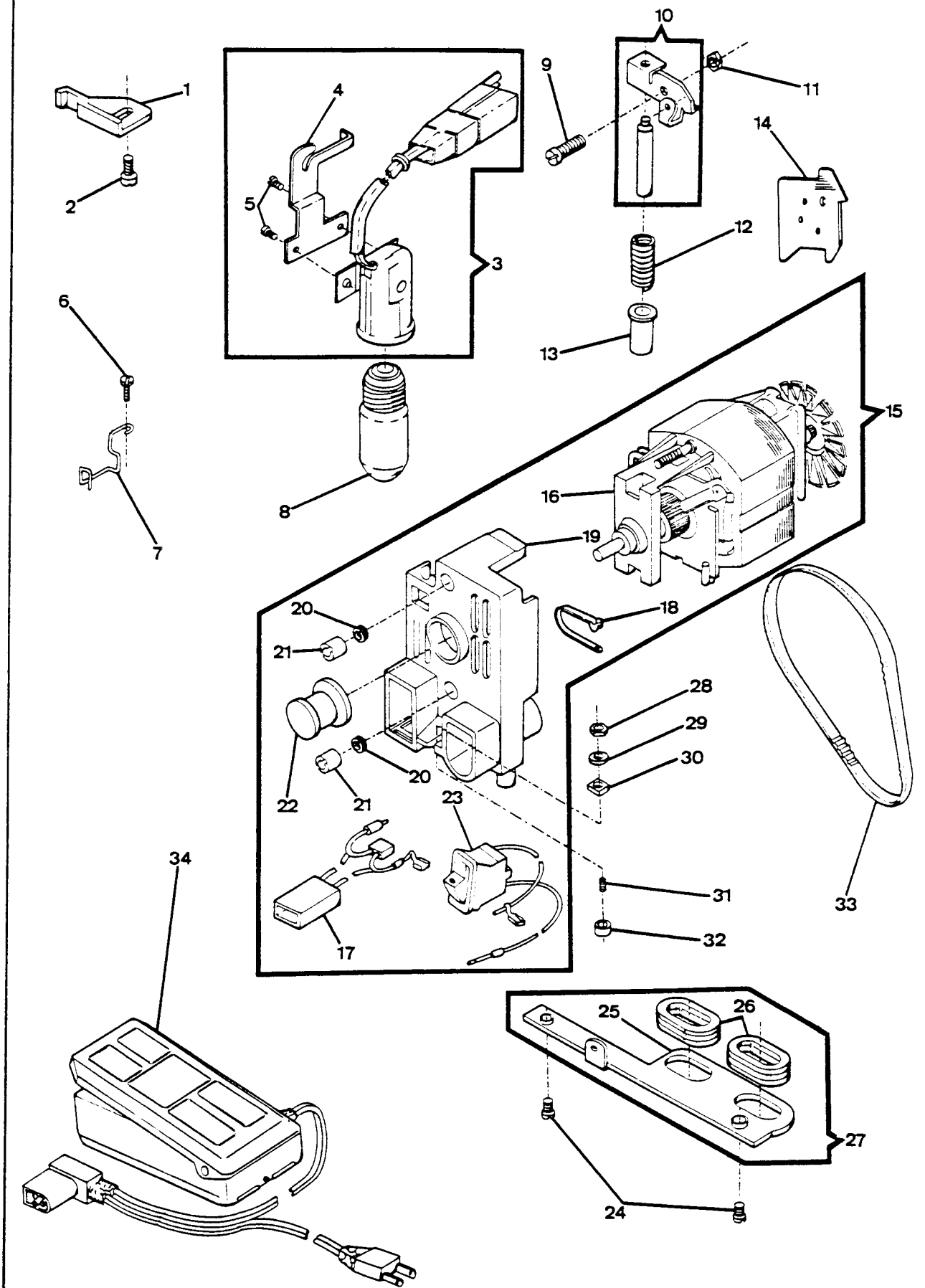
ELECTRICAL EQUIPMENT

		ASIA & AFRICA & SOUTH AMERICA	ASIA & AFRICA & SOUTH AMERICA	AFRICA & SOUTH AMERICA	AMEDO
REF.	1 SPEED UNSURPRESSED	FLAT BLADE (120V)	FLAT BLADE (220V)	ROUND PIN (120V)	ROUND PIN (120V)
3	LIGHT COMP.	NP0032-004	NP0032-004	NP0032-004	NP0032-004
16	LIGHT SOCKET (ALT.)	NP0067-003	NP0067-003	NP0067-003	NP0067-003
19	MOTOR COMPLETE	988759-XXA	988759-004	988759-XXA	988759-P03
20	SERIES MOTOR MODULE	988752-001	988752-004	988752-001	988752-P04
22	COMMUTATOR END	988760-002	988760-002	988760-002	988760-002
37	CONTROLLER	988274-100	988274-110	988274-097	988274-097
37	CONTROLLER (ALT.)	979314-005	979314-006	979314-003	979314-003
40	SWITCH	988763-001	988763-001	988763-001	988763-001
	1 SPEED SURPRESSED				
3	LIGHT COMP.				
16	LIGHT SOCKER (ALT.)				
19	MOTOR COMPLETE				
20	SERIES MOTOR MODULE				
22	COMMUTATOR END				
37	CONTROLLER				
37	CONTROLLER (ALT.)				
40	SWITCH - 2 SPEED				

ELECTRICAL EQUIPMENT

		AFRICA & SOUTH AMERICA	SOUTH AFRICA	AMEDO	AUSTRALIA
REF.	1 SPEED UNSUPRESSED	ROUND PIN (220V)	ROUND PIN (220V)	ROUND PIN (220V)	(240V)
3	LIGHT COMP.	NP0032-004		NP0032-004	
16	LIGHT SOCKET (ALT.)	NP0067-003		NP0067-003	
19	MOTOR COMPLETE	988759-004		988759-P04	
20	SERIES MOTOR MODULE	988752-004		988752-P04	
22	COMMUTATOR END	988760-002		988760-002	
37	CONTROLLER	988274-098		988774-098	
37	CONTROLLER (ALT.)	979314-004		979314-004	
40	SWITCH	988763-001		988763-001	
	1 SPEED SURPRESSED				
3	LIGHT COMP.		NP0032-005		NP0032-003
16	LIGHT SOCKER (ALT.)		----		----
19	MOTOR COMPLETE		988759-P02		988759-P01
20	SERIES MOTOR MODULE		988752-P02		988752-P01
22	COMMUTATOR END		988760-002		988760-002
37	CONTROLLER		988274-099		988274-057
37	CONTROLLER (ALT.)		979314-012		979314-010
40	SWITCH		988763-001		988763-001

ELECTRICAL EQUIPMENT 110V



PART LIST
ELECTRICAL EQUIPMENT 110V, SINGLE SPEED,
SUPPRESSED (JAPAN ONLY)

REF.	PART NBR	DESCRIPTION	5	5	5	5	5
			8	8	8	8	8
			0	0	0	0	1
			2	5	6	8	0
01	353411	LIGHT LEAD RETAINING CLIP	X	X	X	X	X
02	113504-451	LIGHT LEAD RETAINING CLIP MOUNTING SCREW	X	X	X	X	X
03	979148-001	LIGHT COMPLETE	X	X	X	X	X
04	979146-001	LIGHT SOCKET BRACKET	X	X	X	X	X
05	141913-451	LIGHT SOCKET MOUNTING SCREW	X	X	X	X	X
06	113455-001	LIGHT LEAD WIRE RETAINER MOUNTING SCREW	X	X	X	X	X
07	353247	LIGHT LEAD WIRE RETAINER	X	X	X	X	X
08	549887-003	LAMP	X	X	X	X	X
09	113372-451	MOTOR GUIDE PIN MOUNTING BRACKET SCREW	X	X	X	X	X
10	446470	MOTOR GUIDE PIN MOUNTING BRACKET ASSEMBLY	X	X	X	X	X
11	313470-452	MOTOR GUIDE PIN MOUNTING BRACKET SCREW NUT	X	X	X	X	X
12	446473	MOTOR BELT TENSION SPRING	X	X	X	X	X
13	446475	MOTOR GUIDE PIN BUSHING	X	X	X	X	X
14	179901	HEAT SHIELD	X	X	X	X	X
15	988759-005	MOTOR COMPLETE	X	X	X	X	X
16	988752-005	SERIES MOTOR MODULE	X	X	X	X	X
17	988768-002	LIGHT RECEPTACLE HARNESS (SUPPRESSED) COMPLETE	X	X	X	X	X
18	605600-001	TY RAP	X	X	X	X	X
19	988760-002	COMMUTATOR END COVER	X	X	X	X	X
20	604018-003	MOTOR MODULE WASHER	X	X	X	X	X
21	603907-001	MOTOR MODULE NUT	X	X	X	X	X
22	988761-001	MOTOR PULLEY	X	X	X	X	X
23	988763-P02	SWITCH WITH CONNECTOR AND CONTACT LEADS	X	X	X	X	X
24	113370-451	MOTOR MOUNTING PLATE SCREW	X	X	X	X	X
25	446476	MOTOR MOUNTING PLATE	X	X	X	X	X
26	353355	MOTOR MOUNTING PLATE GROMMET	X	X	X	X	X
27	446479	MOTOR MOUNTING PLATE ASSEMBLY	X	X	X	X	X
28	353402-451	MOTOR MOUNTING SCREW LOCK NUT	X	X	X	X	X
29	445539	MOTOR MOUNTING SCREW LOCK NUT WASHER	X	X	X	X	X
30	179887	MOTOR BELT SCREW NUT	X	X	X	X	X
31	113343-451	MOTOR BELT SCREW	X	X	X	X	X
32	988887-001	MOTOR BELT SCREW CAP	X	X	X	X	X
33	353518-001	MOTOR BELT	X	X	X	X	X
34	411837-001	CONTROLLER	X	X	X	X	X