

SINGER
5800 Series

LIST OF PARTS

SEWING MACHINE SERIES

5800

by
SINGER*

© THE SINGER COMPANY
1988 SINGER DO BRASIL
ALL RIGHTS RESERVED

* REGISTERED TRADEMARK

PRINTED IN BRAZIL

356501-001

5800 SERIES
REVISION RECORD

REV.	DESCRIPTION	APPROVAL AND DATE
1	ADOPTED BY SERVICE LETTER NBR 009	<i>[Signature]</i>
	CHANGED REF. NBR 07 FROM P/N 354975-451 TO P/N 354895-453 PAGE 06	3429
	DELETED REF. NBR 10 P/N 445765 PAGE 06	06/22/89
	CHANGED REF. NBR 01 FROM P/N 354642-451 TO P/N 354240-451 PAGE 26	3307
	CHANGED REF. NBR 02 FROM P/N 445840 TO P/N 445841 PAGE 26	01/20/89
	CHANGED REF. NBR 20 FROM P/N 353539 TO P/N 44628 PAGE 26	3425
	ADDED REF. NBR 27 P/N 618638-005 PAGE 25/26	08/08/89
	DELETED REF. NBR 07 P/N 113455-001 (1) PAGE 27	3425
	CHANGED REF. NBR 19 FROM P/N 356165 TO P/N 356605 PAGE 40	08/08/89
2	CHANGED REF. NBR 10 FROM P/N 141938-833 TO P/N 141803-830 PAGE 14	6928
	CHANGED REF. NBR 24 FROM P/N 113518-451 TO P/N 354906-451 PAGE 16	08/14/89
	CHANGED REF. NBR 04 FROM P/N 549426-451 TO P/N 445808 PAGE 36	3425
	CHANGED REF. NBR 04 FROM P/N 549426-451 TO P/N 445808 PAGE 38	08/08/89
	CHANGED REF. NBR 04 FROM P/N 549426-451 TO P/N 445808 PAGE 38	6994
3	DELETED REF. NBR 01 446495-005/446496-016/446496-017/446496-018/ 446496-019 PAGE 02	10/02/89
	CHANGED REF. NBR 06 FROM P/N 381213 TO P/N 356630 PAGE 01/02	3413
	CHANGED REF. NBR 07 FROM P/N 531894-053 TO P/N 531894-096 PAGE 10	09/06/89
	CHANGED REF. NBR 07 FROM P/N 531894-061 TO P/N 531894-097 PAGE 10	7029
	CHANGED REF. NBR 07 FROM P/N 531894-069 TO P/N 531894-098 PAGE 10	03/27/89
	CHANGED REF. NBR 07 FROM P/N 531894-077 TO P/N 531894-099 PAGE 10	3405
	CHANGED REF. NBR 07 FROM P/N 531894-085 TO P/N 531894-100 PAGE 10	08/20/89
	ADDED REF. NBR 30 P/N 356819 PAGE 15/16	3488
	CHANGED REF. NBR 19 FROM P/N 353410 TO P/N 353410-900 PAGE 21/22	10/22/89
	ADDED REF. NBR 20 P/N 141938-833 PAGE 21/22	3488
	ADDED REF. NBR 21 P/N 353367-451 PAGE 21/22	10/22/89
	ADDED REF. NBR 22 P/N 544117 PAGE 21/22	3488
		10/22/89

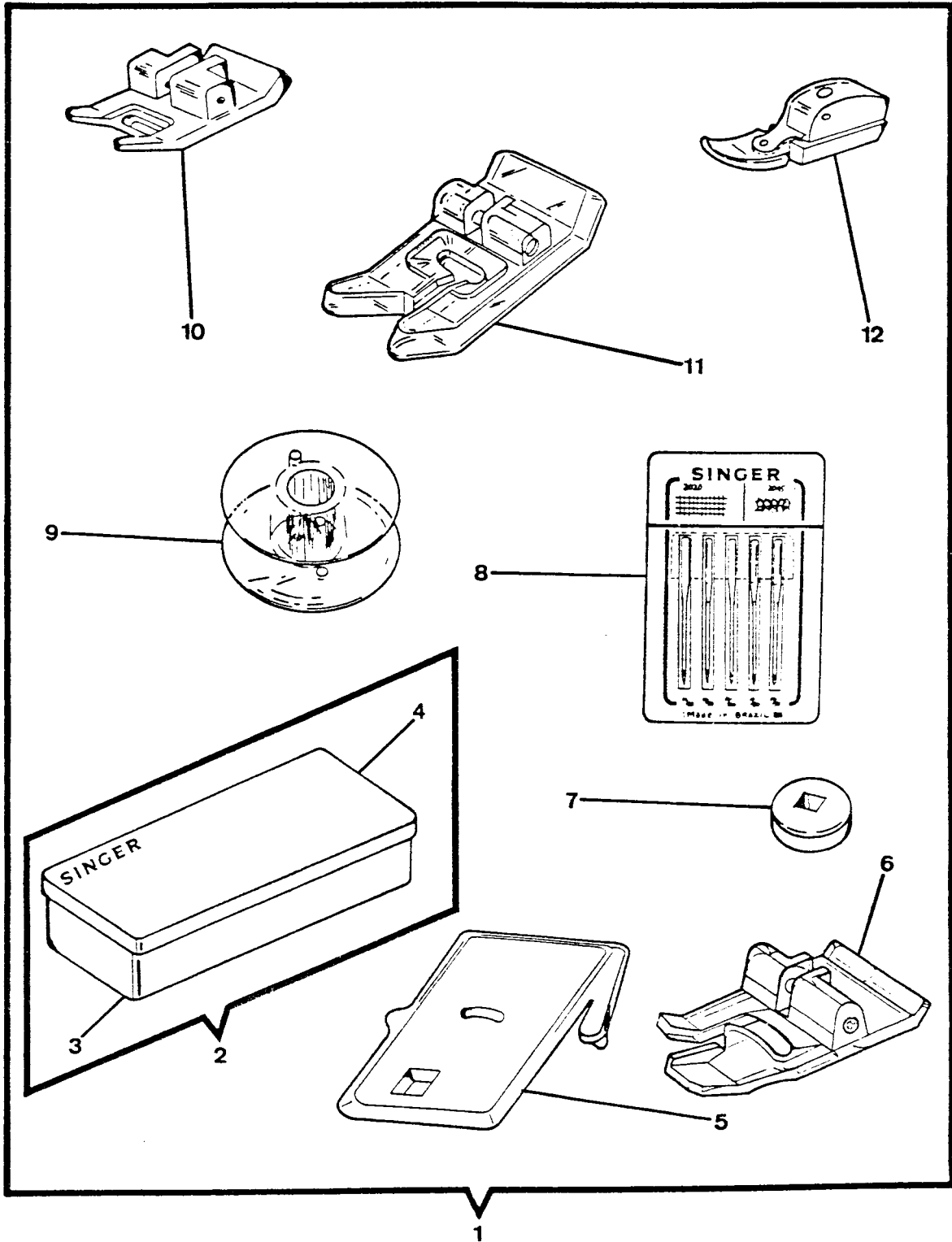
5800 SERIES
REVISION RECORD

REV.	DESCRIPTION	APPROVAL AND DATE
3	ADDED REF. NBR 23 P/N 618638-004 PAGE 21/22 CHANGED REF. NBR 04 FROM P/N 313190-451 TO P/N 446138 PAGE 28 CHANGED REF. NBR 09 FROM P/N 356256-001 TO P/N 353424 PAGE 30 CHANGED REF. NBR 03 FROM P/N 353472 TO P/N 356397 PAGE 33/34 ADDED REF. NBR 04 P/N 354975-451 PAGE 33/34 ADDED REF. NBR 05 P/N 44892 PAGE 33/34 ADDED REF. NBR 12 P/N 618638-005 PAGE 33/34 CHANGED REF. NBR 13 FROM P/N 357487 TO P/N 353478 PAGE 33/34 CHANGED REF. NBR 18 FROM P/N 113455-001 TO P/N 355243-451 PAGE 40	7165 07/30/90 3488 10/15/89 7198 08/27/90 7094 06/25/90 7094 06/25/90 7094 06/25/90 7094 06/25/90 7094 06/25/90 7094 06/25/90 3437 11/13/89
4	NUMEROUS CHANGES	11/05/92
5	COLOR CHANGING FROM LIGHT BUFF TO SNOW WHITE EFFECTIVE DATE: FEB. 1993	

INDEX

PAGE NBR	SUB-ASSEMBLY
01 - 02	ATTACHMENT SET
03 - 04	ARM, BED, THROAT PLATE & BED SLIDE
05 - 10	COVERS & ADD-ONS
11 - 14	NEEDLE BAR, PRESSER BAR & TAKE-UP
15 - 16	ARM SHAFT DRIVE
17 - 18	HAND WHEEL
19 - 20	TENSION MECHANISM
21 - 22	HOOK SYSTEM
23 - 24	BIGHT AMPLITUDE
25 - 26	NEEDLE POSITION
27 - 28	DISC SELECTOR ASSEMBLY
29 - 30	CAM STACK
31 - 32	FEED REGULATOR CAM
33 - 34	BUTTONHOLER & FEED REGULATOR CAM
35 - 36	CAM CONTROLLED FEED
37 - 38	FEED SYSTEM
39 - 40	OPTIONS
41 - 47	ELECTRICAL EQUIPMENT

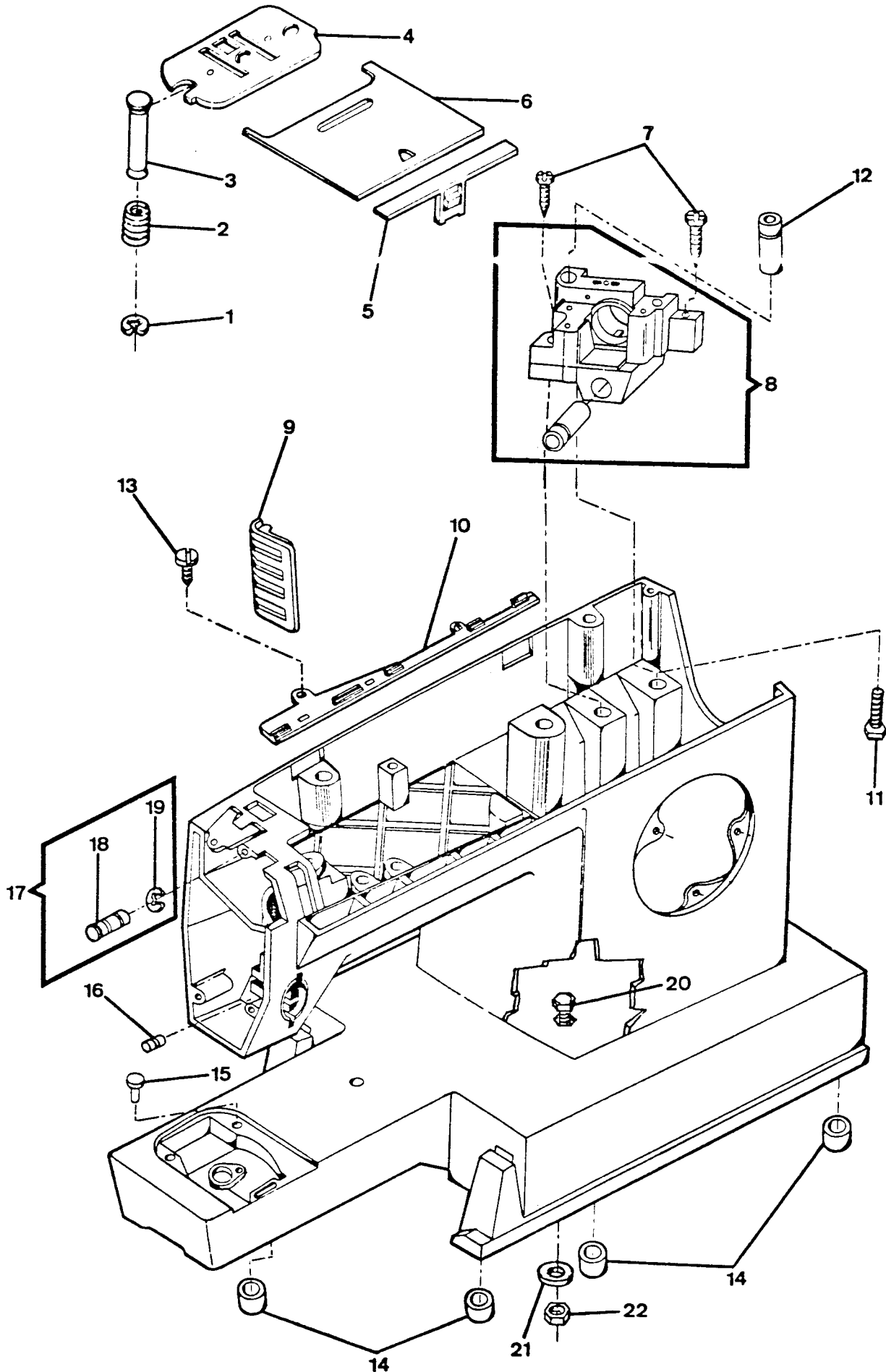
ATTACHMENT SET



PART LIST
ATTACHMENT SET

REF.	PART NBR	DESCRIPTION	5	5	5	5	5
			8	8	8	8	8
			0	0	0	0	1
			2	5	6	8	0
01	446495-001	ATTACHMENT SET COMPLETE	X				
01	446496-003	ATTACHMENT SET COMPLETE		X	X	X	X
02	446150-455	ATTACHMENT BOX COMPLETE	X	X	X	X	X
03	446148-456	ATTACHMENT BOX BASE (PLASTIC)	X	X	X	X	X
04	446149-458	ATTACHMENT BOX COVER (PLASTIC)	X	X	X	X	X
05	313117	FEED COVER PLATE	X	X	X	X	X
06	356630	BLIND STITCH GUIDE		X	X	X	X
07	507664-467	ARM TOP COVER SPOOL PIN THREAD LEAD-OFF	X	X	X	X	X
08	353364	NEEDLE PACK (INCLUDES 1 E A N2020 SIZE 11/14/16 & N2045 SIZE 11/14)	X	X	X	X	X
09	172336	BOBBIN (PLASTIC)	X	X	X	X	X
10	446492-451	SPECIAL PURPOSE PRESSER FOOT (SNAP-ON)		X	X	X	X
11	161927	PRESSER FOOT PLATE (SNAP-ON) FOR SEWING BUTTONHOLES		X	X	X	X
12	507836	PRESSER FOOT PLATE (SNAP-ON) COMPLETE FOR CORDING & SLIDE FASTENERS		X	X	X	X

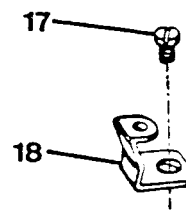
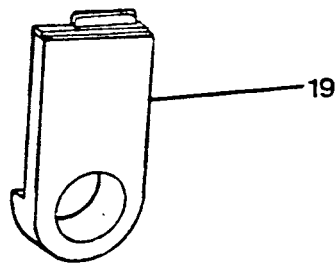
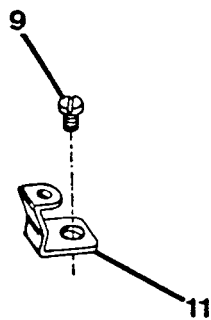
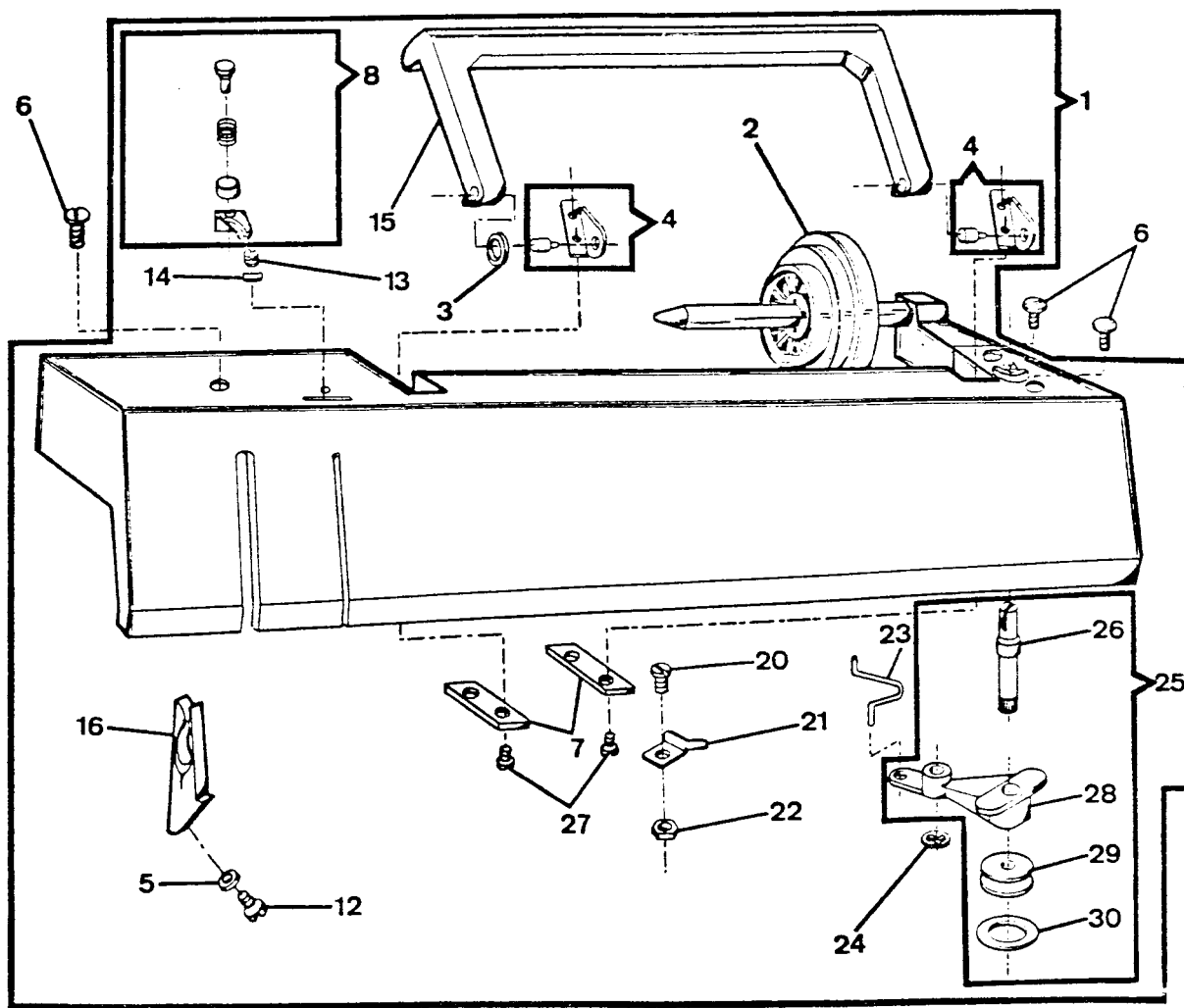
ARM, BED, THROAT PLATE & BED SLIDE



PART LIST
ARM, BED, THROAT PLATE & BED SLIDE

REF.	PART NBR	DESCRIPTION	5	5	5	5	5
			8	8	8	8	8
			0	0	0	0	1
			2	5	6	8	0
01	179926	THROAT PLATE CLAMP SPRING RETAINING RING	X	X	X	X	X
02	353494	THROAT PLATE CLAMP SPRING	X	X	X	X	X
03	353597	THROAT PLATE CLAMP	X	X	X	X	X
04	312777	THROAT PLATE FOR ZIG-ZAG SEWING	X	X	X	X	X
05	446482	BED SLIDE SPRING (SNAP-ON)	X	X	X	X	X
06	446481	BED SLIDE	X	X	X	X	X
07	113455-006	ARM SHAFT (REAR) HOUSING MOUNTING SCREW	X	X	X	X	X
08	446347-002	ARM SHAFT (REAR) HOUSING ASSEMBLY	X	X	X	X	X
09	353360-45X	ARM INSERT MOTOR VENT GRILL	X	X	X	X	X
10	356049-901	FILLER PLATE	X				
10	356111-452	FILLER PLATE		X			
10	356112-452	FILLER PLATE			X	X	X
11	446349-451	ARM SHAFT (REAR) HOUSING MOUNTING BOLT	X	X	X	X	X
12	446465-001	ARM TOP COVER SUPPORT STUD	X	X	X	X	X
13	113455-001	FILLER PLATE SCREW	X	X	X	X	X
14	353559-451	BED CUSHION	X	X	X	X	X
15	353624	THROAT PLATE POSITION PIN	X	X	X	X	X
16	446358	TENSION RELEASING LEVER HINGE PIN	X	X	X	X	X
17	353623	THREAD TAKE-UP LEVER LINK HINGE STUD WITH RING	X	X	X	X	X
18	446375	THREAD TAKE-UP LEVER LINK HINGE STUD	X	X	X	X	X
19	353215	THREAD TAKE-UP LEVER LINK RETAINING RING	X	X	X	X	X
20	446346-451	BED (BOTTOM) COVER & CABINET BOLT	X	X	X	X	X
21	446459-452	ARM BED BOLT LOCK WASHER	X	X	X	X	X
22	446345-451	ARM BED MOUNTING BOLT	X	X	X	X	X

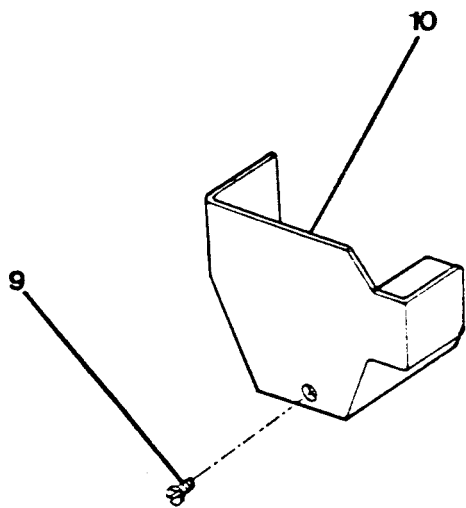
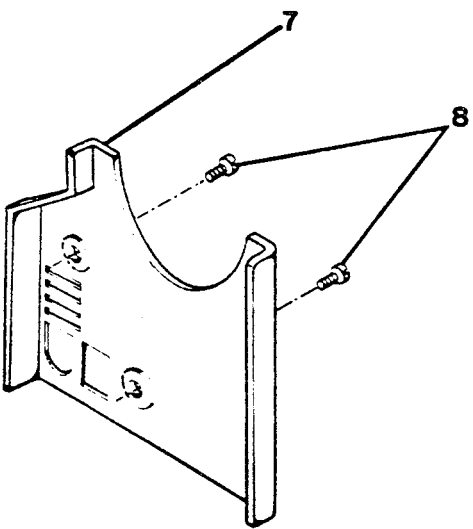
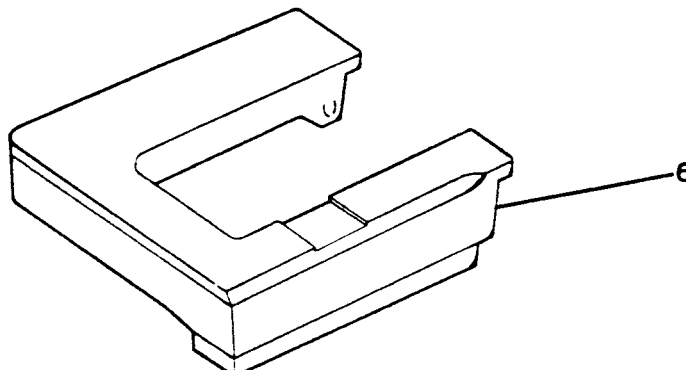
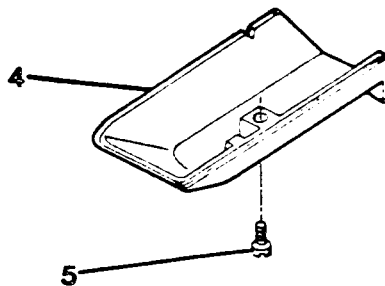
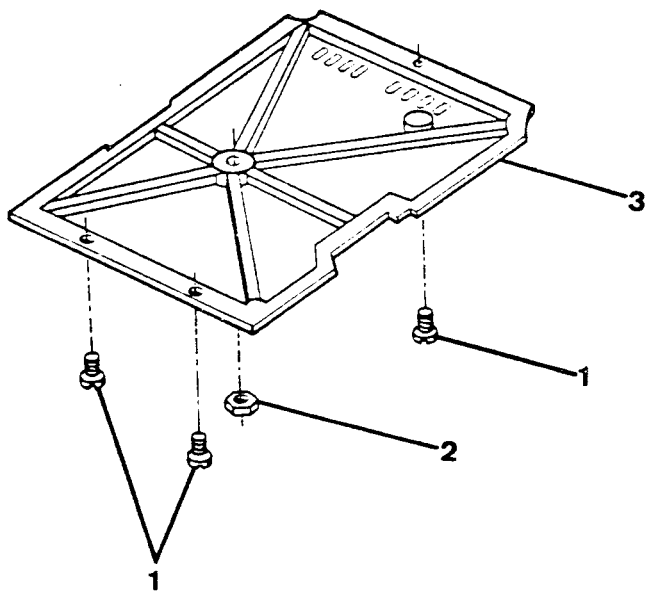
COVERS & ADD-ONS



PART LIST
COVERS & ADD-ONS

REF.	PART NBR	DESCRIPTION	5	5	5	5	5
			8	8	8	8	8
			0	0	0	0	1
			2	5	6	8	0
01	356811-035	ARM TOP COVER COMPLETE (MELODIE 20)	X				
01	356811-041	ARM TOP COVER COMPLETE (MELODIE 40)		X			
01	356811-047	ARM TOP COVER COMPLETE (MELODIE 50)			X		
01	356811-051	ARM TOP COVER COMPLETE (MELODIE 60)				X	
01	356811-036	ARM TOP COVER COMPLETE (MELODIE 20) UK	X				
01	356811-042	ARM TOP COVER COMPLETE (MELODIE 40) UK		X			
01	356811-048	ARM TOP COVER COMPLETE (MELODIE 50) UK			X		
01	356811-052	ARM TOP COVER COMPLETE (MELODIE 60) UK				X	
01	356811-037	ARM TOP COVER COMPLETE (SAMBA 20)	X				
01	356811-043	ARM TOP COVER COMPLETE (SAMBA 40)		X			
01	356811-053	ARM TOP COVER COMPLETE (SAMBA 60)				X	
01	356811-057	ARM TOP COVER COMPLETE (SAMBA 70)					X
01	356811-034	ARM TOP COVER COMPLETE	X				
01	356811-039	ARM TOP COVER COMPLETE		X			
01	356811-044	ARM TOP COVER COMPLETE			X		
01	356811-050	ARM TOP COVER COMPLETE				X	
01	356811-054	ARM TOP COVER COMPLETE					X
02	179967-461	ARM TOP COVER SPOOL PIN THREAD LEAD OFF	X	X	X	X	X
03	353573	ARM TOP COVER MACHINE HANDLE WASHER	X	X	X	X	X
04	356786	ARM TOP COVER MACHINE HANDLE HINGE BRACKET	X	X	X	X	X
05	446138	ARM TOP COVER THREAD GUIDE SCREW WASHER	X	X	X	X	X
06	354895-453	ARM TOP COVER MOUNTING SCREW	X	X	X	X	X
07	356788	ARM TOP COVER HANDLE BRACKET NUT PLATE	X	X	X	X	X
08	356047	BOBBIN WINDER TENSION COMPLETE	X	X	X	X	X
09	354826-451	ARM TOP COVER MOUNTING BKT.(LEFT) SET SCREW	X	X	X	X	X
11	531765	ARM TOP COVER MOUNTING BRACKET (LEFT)	X	X	X	X	X
12	356116-451	ARM TOP COVER THREAD GUIDE SCREW	X	X	X	X	X
13	141936-833	BOBBIN WINDER TENSION BRACKET ADJUSTING SCREW	X	X	X	X	X
14	44794	BOBBIN WINDER TENSION BKT.ADJ.SCREW RET.CLIP	X	X	X	X	X
15	356044-452	ARM TOP COVER MACHINE HANDLE	X	X	X	X	X
16	356050-453	ARM TOP COVER THREAD GUIDE	X	X	X	X	X
17	113455-001	ARM TOP COVER MOUNTING BRACKET (RIGHT) SCREW	X	X	X	X	X
18	356178	ARM TOP COVER MOUNTING BRACKET (RIGHT)	X	X	X	X	X
19	356173-453	ARM TOP COVER SHROUDED	X	X	X	X	X
20	141920-453	BOBBIN WINDER STOP SCREW	X	X	X	X	X
21	445924	BOBBIN WINDER STOP	X	X	X	X	X
22	53640-819	BOBBIN WINDER STOP SCREW NUT	X	X	X	X	X
23	531766	BOBBIN WINDER SPRING	X	X	X	X	X
24	445486	BOBBIN WINDER RETAINING RING	X	X	X	X	X
25	531767-452	BOBBIN WINDER ASSEMBLY	X	X	X	X	X
26	356913	BOBBIN WINDER SPINDLE COMPLETE	X	X	X	X	X
27	354633-453	ARM TOP COVER HANDLE BRACKET SCREW	X	X	X	X	X
28	531770-452	BOBBIN WINDER FRAME	X	X	X	X	X
29	44440	BOBBIN WINDER PULLEY	X	X	X	X	X
30	15287-701	BOBBIN WINDER FRICTION RING	X	X	X	X	X

COVERS & ADD-ONS (CONT.)



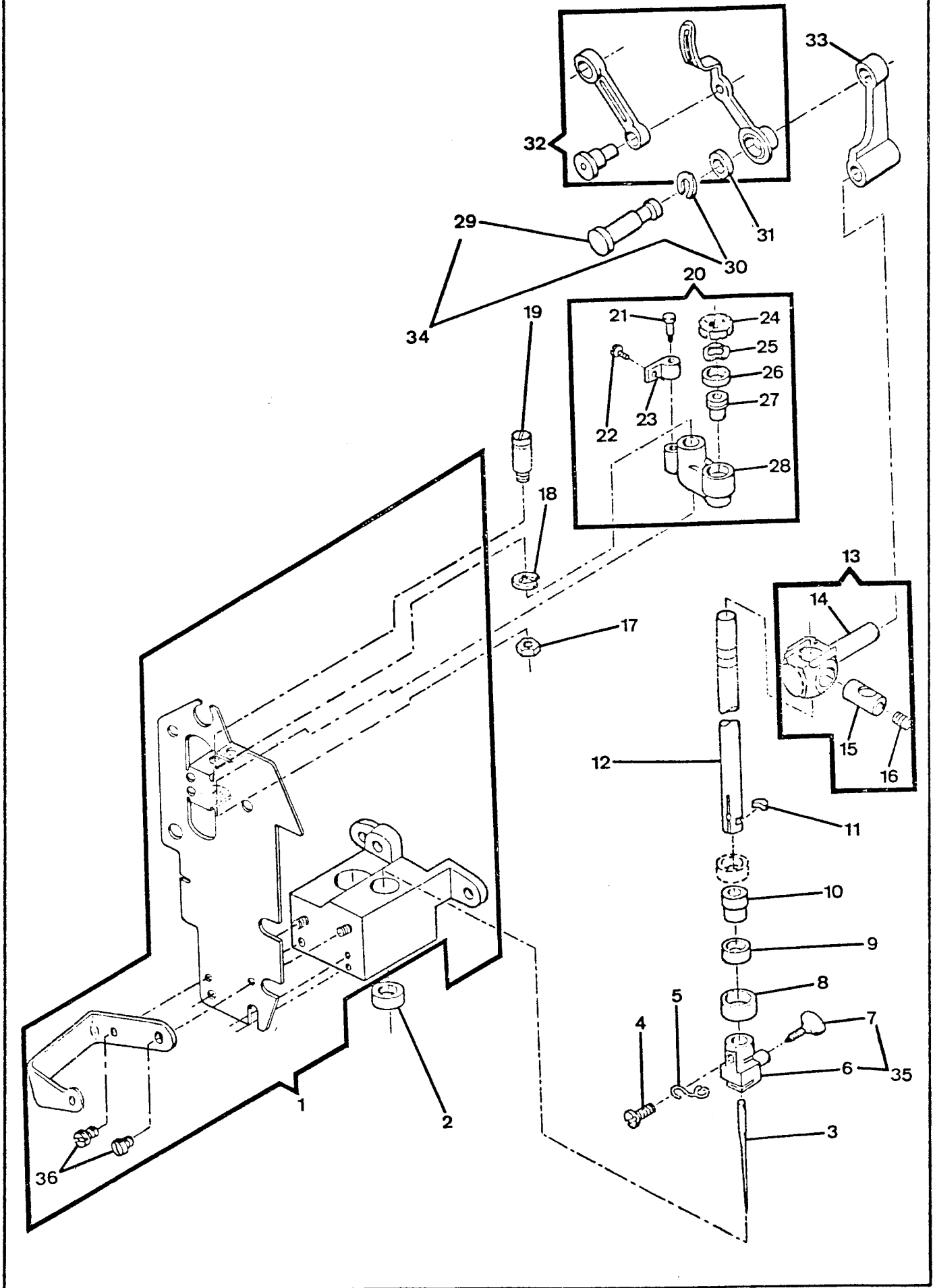
PART LIST
COVERS & ADD-ONS (CONT.)

REF.	PART NBR	DESCRIPTION	5	5	5	5	5
			8	8	8	8	8
			0	0	0	0	1
			2	5	6	8	0
01	113455-001	BED (BOTTOM) COVER FASTENING SCREW	X	X	X	X	X
02	514608	BED (BOTTOM) COVER FASTENING NUT	X	X	X	X	X
03	353587-453	BED (BOTTOM) COVER (PLASTIC)	X	X	X	X	X
04	446493-453	BED (TUBULAR) BOTTOM COVER (PLASTIC)	X	X	X	X	X
05	354895-453	BED (TUBULAR) BOTTOM COVER FASTENING SCREW	X	X	X	X	X
06	356027-452	BED EXTENSION PLATE (PLASTIC)	X	X	X	X	X
07		REFER TO CHARTS ON FOLLOWING PAGES					
08	354637-453	ARM END COVER SCREW	X	X	X	X	X
09	354133-453	FACE PLATE SCREW	X	X	X	X	X
10	356051-454	FACE PLATE COMPLETE (WITHOUT GRILLE)	X	X	X	X	X
10	356235-452	FACE PLATE COMPLETE (WITH GRILLE)	X	X	X	X	X

ARM END COVER

PART NBR	EUROPE	UK	USA CANADA	AUSTR.	NON-REG EUROPE	INT. GROUP	INT. GROUP	CYPRUS	
531894-049	X								5802
-050		X							5802
-051			X						5802
-052				X					5802
-096					X				5802
-054						X			5802
-055							X		5802
-056								X	5802
-057	X								5805
-058		X							5805
-059			X						5805
-060				X					5805
-097					X				5805
-062						X			5805
-063							X		5805
-064								X	5805
-065	X								5806
-066		X							5806
-067			X						5806
-068				X					5806
-098					X				5806
-070						X			5806
-071							X		5806
-072								X	5806
-073	X								5808
-074		X							5808
-075			X						5808
-076				X					5808
-099					X				5808
-078						X			5808
-079							X		5808
-080								X	5808
-081	X								5810
-082		X							5810
-083			X						5810
-084				X					5810
-100					X				5810
-086						X			5810
-087							X		5810
-088								X	5810

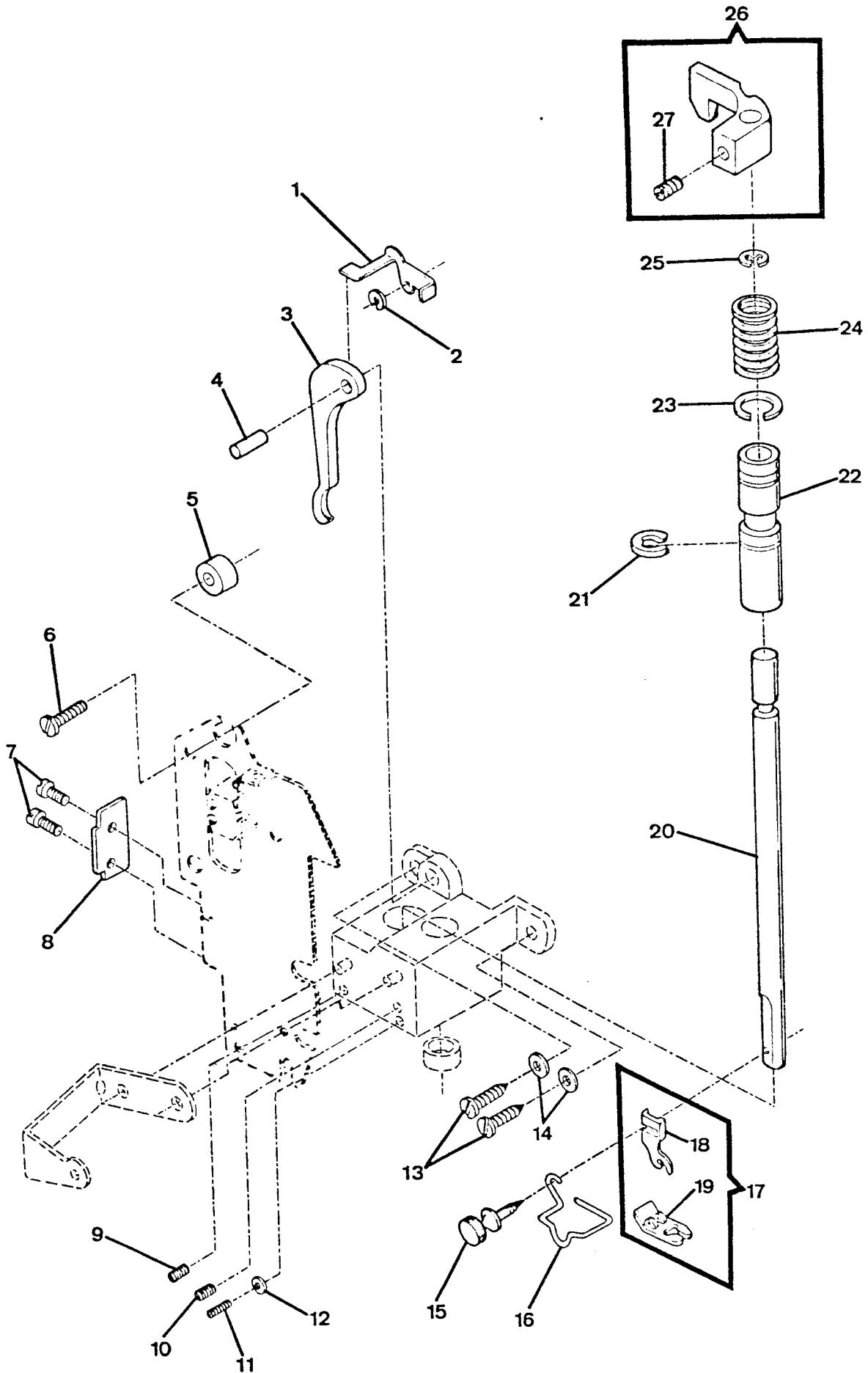
NEEDLE BAR, PRESSER BAR & TAKE-UP



PART LIST
NEEDLE BAR, PRESSER BAR & TAKE-UP

REF.	PART NBR	DESCRIPTION	5	5	5	5	5
			8	8	8	8	8
			0	0	0	0	1
			2	5	6	8	0
01	353490	NEEDLE BAR, PRESSER BAR & VIBRATING BRACKET HOUSING COMPLETE	X	X	X	X	X
02	44450	NEEDLE BAR BALL BUSHING (LOWER) SOCKET (UPPER)	X	X	X	X	X
03	204514-100	NEEDLE (SIZE No 14)	X	X	X	X	X
04	141808-451	NEEDLE CLAMP BODY, NEEDLE CLAMP THREAD GUIDE & NEEDLE STOP SCREW	X	X	X	X	X
05	353629	NEEDLE CLAMP THREAD GUIDE	X	X	X	X	X
06	353630	NEEDLE CLAMP BODY	X	X	X	X	X
07	355248-451	NEEDLE THUMB SCREW	X	X	X	X	X
08	446361-001	NEEDLE BAR BALL BUSHING (LOWER) ADJUSTING COLLAR	X	X	X	X	X
09	507379	NEEDLE BAR BALL BUSHING (LOWER) SOCKET	X	X	X	X	X
10	446355-001	NEEDLE BAR BALL BUSHING (LOWER)	X	X	X	X	X
11	37943	NEEDLE BAR GIB	X	X	X	X	X
12	445793	NEEDLE BAR	X	X	X	X	X
13	353549-940	NEEDLE BAR CONNECTING STUD WITH HINGE PIN	X	X	X	X	X
14	353549	NEEDLE BAR CONNECTING STUD	X	X	X	X	X
15	37931	NEEDLE BAR CONNECTING STUD HINGE PIN	X	X	X	X	X
16	141916-833	NEEDLE BAR CLAMP SCREW	X	X	X	X	X
17	353402-451	NEEDLE BAR VIBRATING BRACKET HINGE PIN NUT	X	X	X	X	X
18	445721	NEEDLE BAR VIBRATING BRACKET HINGE PIN RETAINING RING	X	X	X	X	X
19	446359	NEEDLE BAR VIBRATING BRACKET HINGE PIN	X	X	X	X	X
20	353520	NEEDLE BAR VIBRATING BRACKET COMPLETE	X	X	X	X	X
21	37935	NEEDLE BAR DRIVING ARM HINGE BRACKET HINGE PIN	X	X	X	X	X
22	141844-451	NEEDLE BAR DRIVING ARM HINGE BRACKET SCREW	X	X	X	X	X
23	446190	NEEDLE BAR DRIVING ARM HINGE BRACKET	X	X	X	X	X
24	353522	NEEDLE BAR BALL BUSHING (UPPER) RETAINING RING	X	X	X	X	X
25	353424	NEEDLE BAR BALL BUSHING (UPPER) WAVED WASHER	X	X	X	X	X
26	507379	NEEDLE BAR BALL BUSHING (UPPER) SOCKET	X	X	X	X	X
27	446355-001	NEEDLE BAR BALL BUSHING (UPPER)	X	X	X	X	X
28	353521	NEEDLE BAR VIBRATING BRACKET	X	X	X	X	X
29	446260	THREAD TAKE-UP STUD	X	X	X	X	X
30	445486	THREAD TAKE-UP STUD RETAINING RING	X	X	X	X	X
31	543531	THREAD TAKE-UP STUD THRUST WASHER	X	X	X	X	X
32	445672	THREAD TAKE-UP LEVER ASSEMBLY	X	X	X	X	X
33	446357	NEEDLE BAR CONNECTING LINK	X	X	X	X	X
34	446261	THREAD TAKE-UP STUD WITH RETAINING RING	X	X	X	X	X
35	353631	NEEDLE CLAMP BODY WITH SCREW	X	X	X	X	X
36	113480-451	NEEDLE BAR, PRESSER BAR & VIBRATING BRACKET HOUSING PLATE MOUNTING SCREW	X	X	X	X	X

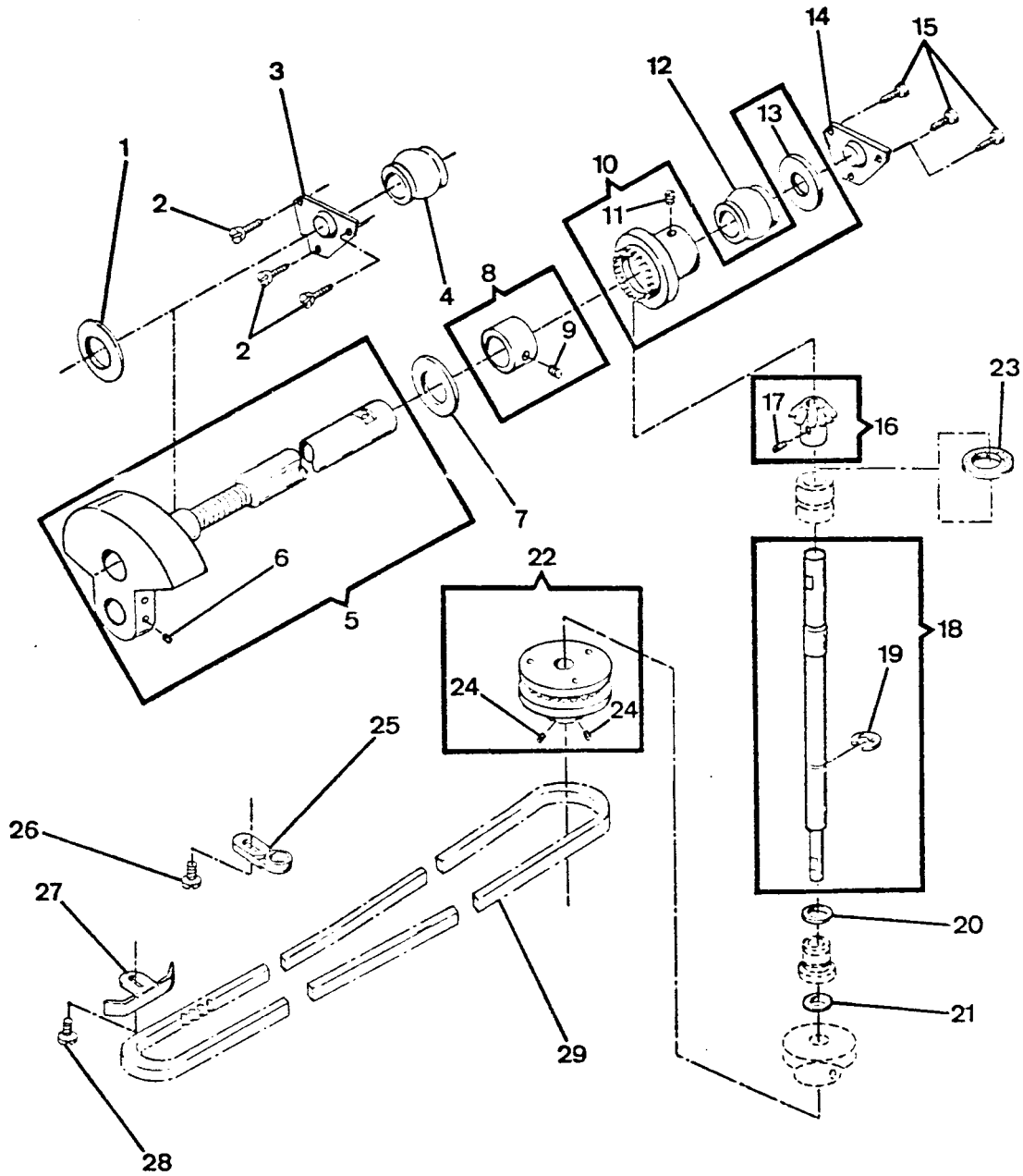
NEEDLE BAR, PRESSER BAR & TAKE-UP (CONT.)



PART LIST
NEEDLE BAR, PRESSER BAR & TAKE-UP (CONT.)

REF.	PART NBR	DESCRIPTION	5	5	5	5	5
			8	8	8	8	8
			0	0	0	0	1
			2	5	6	8	0
01	445925	TENSION RELEASING LEVER	X	X	X	X	X
02	445486	TENSION RELEASING LEVER RETAINING RING	X	X	X	X	X
03	446356	PRESSER BAR LIFTER	X	X	X	X	X
04	446354-451	PRESSER BAR LIFTER HINGE PIN	X	X	X	X	X
05	531627	NEEDLE BAR, PRESSER BAR & VIBRATING BRACKET HOUSING MOUNTING BUSHING	X	X	X	X	X
06	113455-009	NEEDLE BAR & PRESSER BAR VIBRATING BRACKET HOUSING MOUNTING SCREW	X	X	X	X	X
07	141913-451	PRESSER BAR GUIDE BRACKET POSITIONER SCREW	X	X	X	X	X
08	446353	PRESSER BAR GUIDE BRACKET POSITIONER	X	X	X	X	X
09	354906-451	NEEDLE BAR BALL BUSHING (LOWER) ADJUSTING COLLAR SET SCREW	X	X	X	X	X
10	141938-833	PRESSER BAR BALL BUSHING SET SCREW	X	X	X	X	X
11	354993-451	NEEDLE BAR OVER THROW SET SCREW	X	X	X	X	X
12	54591-451	NEEDLE BAR OVER THROW SET SCREW NUT	X	X	X	X	X
13	113434-451	NEEDLE BAR, PRESSER BAR & VIBRATING BRACKET HOUSING MOUNTING SCREW (LOWER)	X	X	X	X	X
14	353375-451	NEEDLE BAR, PRESSER BAR & VIBRATING BRACKET HOUSING MOUNTING SCREW (LOWER) WASHER	X	X	X	X	X
15	354135-452	PRESSER FFOT THUMB SCREW	X	X	X	X	X
16	116863	FINGER GUARD (FOR EUROPE ONLY)	X	X	X	X	X
17	446372	PRESSER FOOT (SNAP-ON) COMPLETE FOR ZIG-ZAG SEWING	X	X	X	X	X
18	155964	PRESSER FOOT SHANK (SNAP-ON)	X	X	X	X	X
19	446371	PRESSER FOOT PLATE (SNAP-ON) FOR ZIG-ZAG SEWING	X	X	X	X	X
20	314638	PRESSER BAR	X	X	X	X	X
21	353252	PRESSER BAR BUSHING LOCATOR RING	X	X	X	X	X
22	445947-001	PRESSER BAR BUSHING	X	X	X	X	X
23	353252	PRESSER BAR SPRING RETAINING RING	X	X	X	X	X
24	353214	PRESSER BAR SPRING	X	X	X	X	X
25	353215	PRESSER BAR SPRING RETAINING RING (UPPER)	X	X	X	X	X
26	353212	PRESSER BAR GUIDE BRACKET ASSEMBLY	X	X	X	X	X
27	141925-833	PRESSER BAR GUIDE BRACKET SET SCREW	X	X	X	X	X

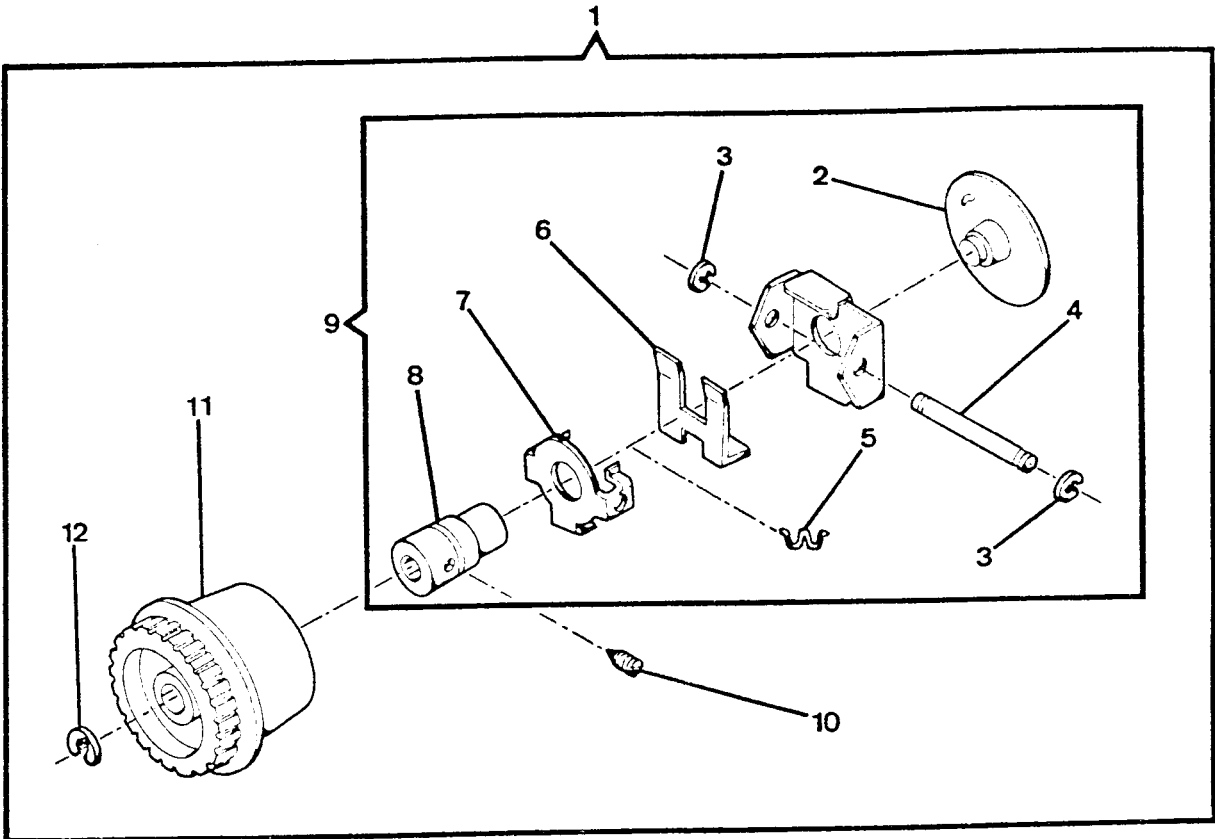
ARM SHAFT DRIVE



PART LIST
ARM SHAFT DRIVE

REF.	PART NBR	DESCRIPTION	5	5	5	5	5
			8	8	8	8	8
			0	0	0	0	1
			2	5	6	8	0
01	319764	ARM SHAFT (HORIZONTAL) RETAINING COLLAR WASHER	X	X	X	X	X
02	113455-001	ARM SHAFT BUSHING (FRONT) RETAINING BRACKET SCREW	X	X	X	X	X
03	446385	ARM SHAFT BUSHING (FRONT) RETAINING BRACKET	X	X	X	X	X
04	446384	ARM SHAFT BUSHING (FRONT)	X	X	X	X	X
05	531684	ARM SHAFT COMPLETE	X	X	X	X	X
06	354105-833	NEEDLE BAR CRANK POSITION SET SCREW	X	X	X	X	X
07	319764	ARM SHAFT (HORIZONTAL) RETAINING COLLAR WASHER					
08	353580	ARM SHAFT (HORIZONTAL) RETAINING COLLAR WITH SCREW	X	X	X	X	X
09	113500-451	ARM SHAFT (HORIZONTAL) RETAINING COLLAR SET SCREW	X	X	X	X	X
10	353272	ARM SHAFT (HORIZONTAL) BEVEL GEAR & FEED LIFTING ECCENTRIC	X	X	X	X	X
11	354813-451	ARM SHAFT (HORIZONTAL) BEVEL GEAR & FEED LIFTING ECCENTRIC SET SCREW	X	X	X	X	X
12	446384	ARM SHAFT BUSHING					
13	353413	ARM SHAFT (HORIZONTAL) BEVEL GEAR & FEED ECCENTRIC WASHER (PLASTIC)	X	X	X	X	X
14	446385	ARM SHAFT BUSHING RETAINING BRACKET	X	X	X	X	X
15	113455-001	ARM SHAFT BUSHING RETAINING BRACKET SCREW	X	X	X	X	X
16	353273-002	ARM SHAFT (UPRIGHT) BEVEL GEAR (PLASTIC)	X	X	X	X	X
17	354105-833	ARM SHAFT (UPRIGHT) BEVEL GEAR SET SCREW	X	X	X	X	X
18	179952-002	ARM SHAFT (UPRIGHT) ASSEMBLY	X	X	X	X	X
19	353215	ARM SHAFT (UPRIGHT) RETAINING RING	X	X	X	X	X
20	353394	ARM SHAFT (UPRIGHT) RETAINING RING WASHER	X	X	X	X	X
21	319826	ARM SHAFT (UPRIGHT) BELT DRIVE PULLEY WASHER	X	X	X	X	X
22	353438-001	ARM SHAFT (UPRIGHT) BELT DRIVE PULLEY ASSEMBLY COMPLETE	X	X	X	X	X
23	356819	ARM SHAFT (UPRIGHT) FELT WASHER	X	X	X	X	X
24	354906-451	ARM SHAFT (UPRIGHT) BELT DRIVE PULLEY RETAINING COLLAR SET SCREW	X	X	X	X	X
25	531630	ROTATING HOOK DRIVE BELT TENSION ADJUSTER	X	X	X	X	X
26	113453-003	ROTATING HOOK DRIVE BELT TENSIONER SCREW	X	X	X	X	X
27	446376	BELT RETAINER (LEFT)	X	X	X	X	X
28	113455-001	BELT RETAINER (LEFT) SCREW	X	X	X	X	X
29	446237	BELT (ROTATING HOOK DRIVE)	X	X	X	X	X

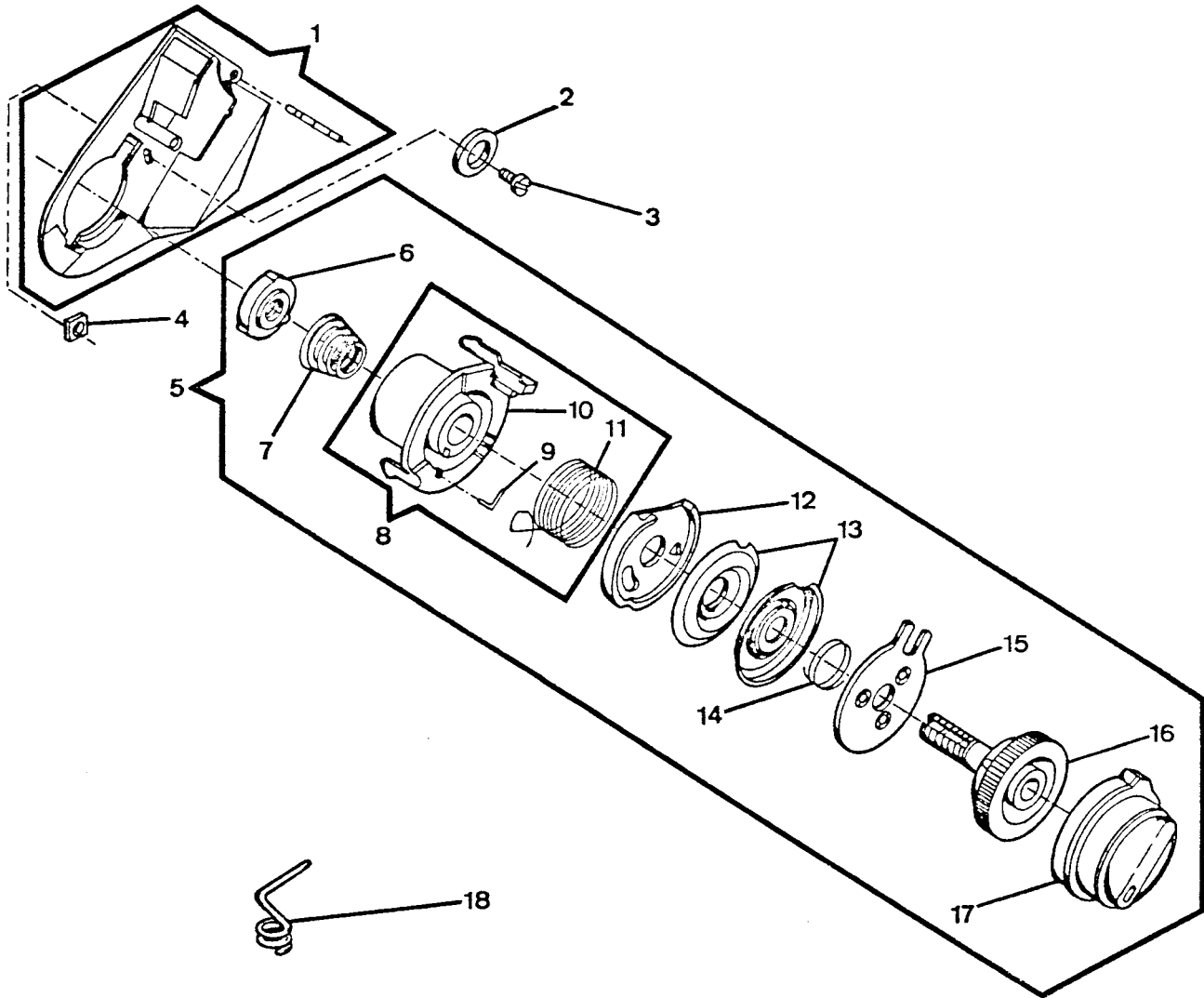
HAND WHEEL



PART LIST
HAND WHEEL

REF.	PART NBR	DESCRIPTION	5	5	5	5	5
			8	8	8	8	8
			0	0	0	0	1
			2	5	6	8	0
01	446391-454	HAND WHEEL (PLASTIC) COMPLETE	X	X	X	X	X
02	446297-904	HAND WHEEL DISENGAGING CLUTCH ENGAGING PLATE COVER	X	X	X	X	X
03	445721	HAND WHEEL DISENGAGING CLUTCH ENGAGING PLATE HINGE PIN RETAINING RING	X	X	X	X	X
04	319560	HAND WHEEL DISENGAGING CLUTCH ENGAGING PLATE HINGE PIN	X	X	X	X	X
05	531628	HAND WHEEL DISENGAGING CLUTCH ACTUATING SPRING	X	X	X	X	X
06	319567	HAND WHEEL DISENGAGING CLUTCH BUSHING PLATE RETAINING	X	X	X	X	X
07	319566	HAND WHEEL DISENGAGING CLUTCH BUSHING PLATE	X	X	X	X	X
08	446390	HAND WHEEL DISENGAGING CLUTCH BUSHING	X	X	X	X	X
09	446343-453	HAND WHEEL DISENGAGING CLUTCH BUSHING COMPLETE	X	X	X	X	X
10	354813-451	HAND WHEEL DISENGAGING CLUTCH BUSHING SCREW	X	X	X	X	X
11	446386-454	HAND WHEEL (PLASTIC) (ELETRIC)	X	X	X	X	X
12	446387	HAND WHEEL RETAINING RING (TREADLE/ELECTRIC)	X	X	X	X	X

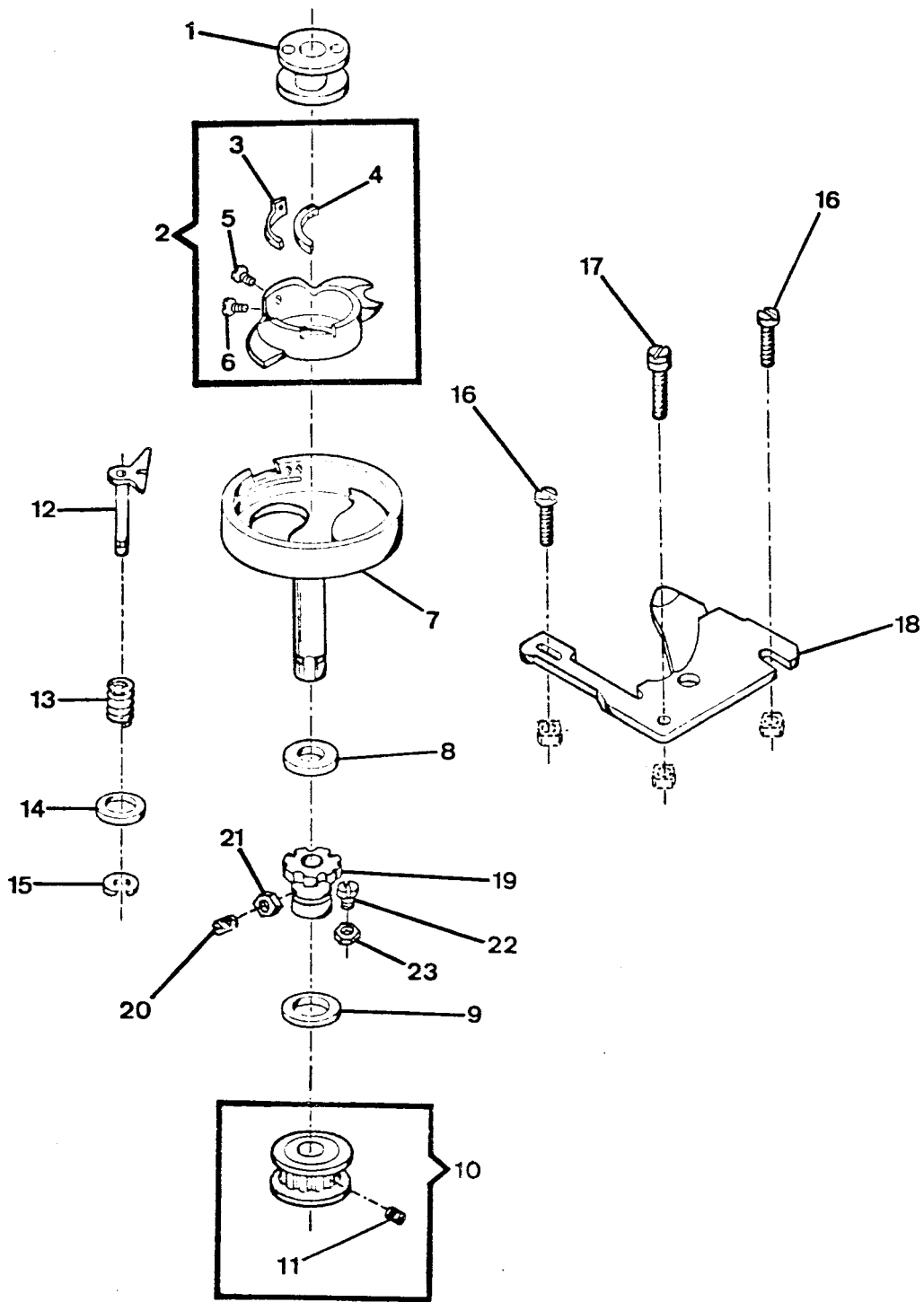
TENSION MECHANISM



ART LIST
TENSION MECHANISM

REF.	PART NBR	DESCRIPTION	5	5	5	5	5
			8	8	8	8	8
			0	0	0	0	1
			2	5	6	8	0
01	356040-452	TENSION MECHANISM SHROUDER ASSEMBLY	X	X	X	X	X
02	356443	TENSION MECHANISM SHROUDER SCREW WASHER	X	X	X	X	X
03	355236-451	TENSION THREAD GUIDE SCREW	X	X	X	X	X
04	514698-451	TENSION THREAD GUIDE SCREW NUT	X	X	X	X	X
05	356088-457	TENSION MECHANISM ASSEMBLY	X	X	X	X	X
06	356095	TENSION STUD NUT	X	X	X	X	X
07	356096	TENSION SPRING	X	X	X	X	X
08	356245	TENSION MECHANISM SUPPORT ASSEMBLY	X	X	X	X	X
09	356246-900	TENSION MECHANISM SUPPORT PIN	X	X	X	X	X
10	356089	TENSION MECHANISM SUPPORT	X	X	X	X	X
11	356097	THREAD TAKE-UP SPRING	X	X	X	X	X
12	356091	THREAD TAKE-UP SPRING THREAD GUARD	X	X	X	X	X
13	356094	TENSION DISC	X	X	X	X	X
14	356216	TENSION DISC PRESSURE PLATE SPRING	X	X	X	X	X
15	356177	TENSION DISC PRESSURE PLATE	X	X	X	X	X
16	356092-451	TENSION INDICATOR WITH STUD	X	X	X	X	X
17	356090-457	TENSION INDICATOR DIAL	X	X	X	X	X
18	445784	THREAD GUIDE (LOWER)	X	X	X	X	X

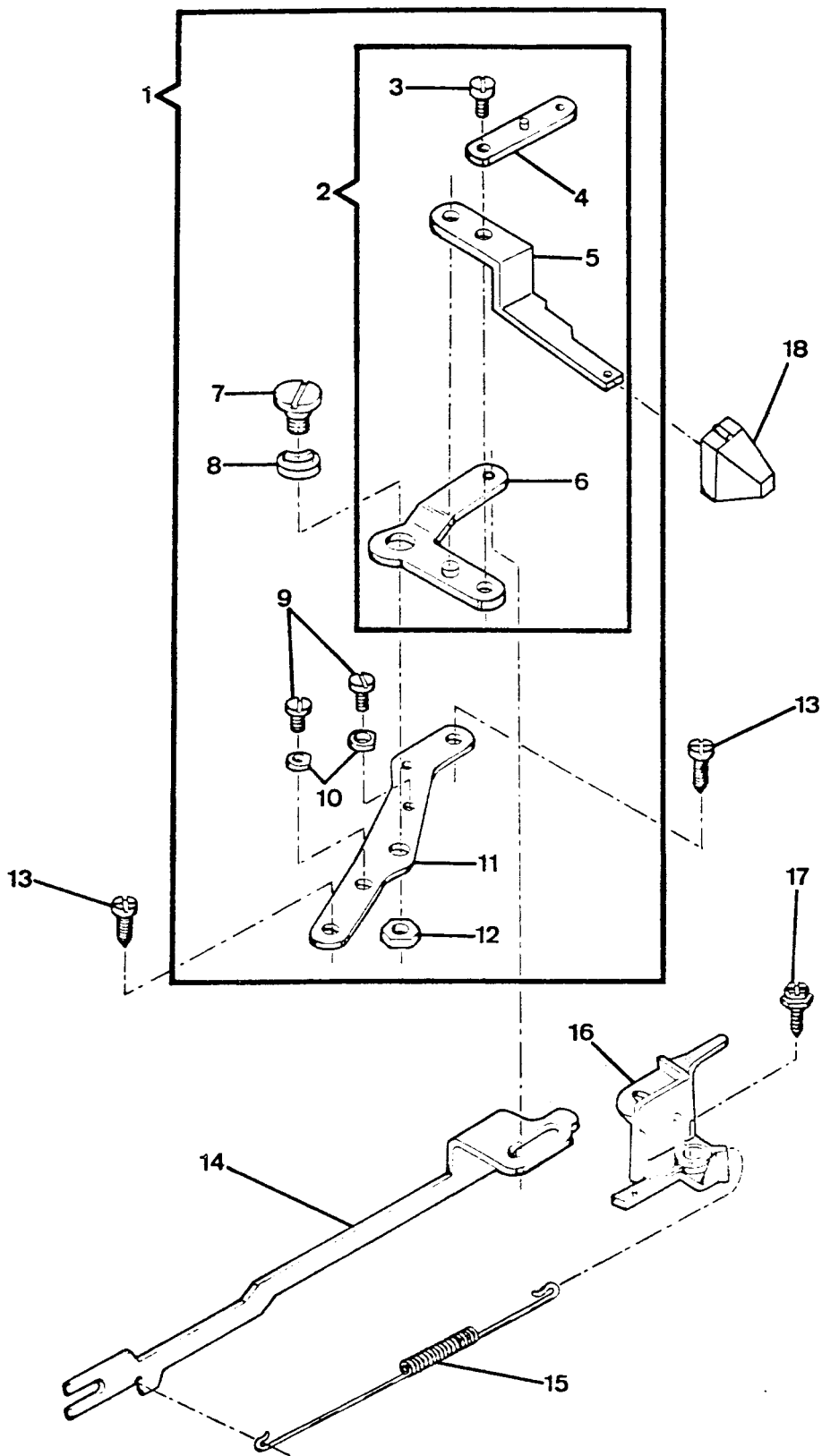
HOOK SYSTEM



PART LIST
HOOK SYSTEM

REF.	PART NBR	DESCRIPTION	5	5	5	5	5
			8	8	8	8	8
			0	0	0	0	1
			2	5	6	8	0
01	172336	ROTATING HOOK BOBBIN (PLASTIC)	X	X	X	X	X
02	421325	ROTATING HOOK BOBBIN CASE	X	X	X	X	X
03	314715	ROTATING HOOK BOBBIN CASE TENSION SPRING	X	X	X	X	X
04	356490-451	ROTATING HOOK BOBBIN CASE TENSION SPRING SEGMENT	X	X	X	X	X
05	354183-452	ROTATING HOOK BOBBIN CASE TENSION REGULATING SCREW	X	X	X	X	X
06	139975-452	ROTATING HOOK BOBBIN CASE TENSION SPRING SEGMENT SCREW	X	X	X	X	X
07	353366	ROTATING HOOK COMPLETE	X	X	X	X	X
08	353453	ROTATING HOOK WEAR WASHER	X	X	X	X	X
09	382861-906	ROTATING HOOK BELT DRIVE PULLEY WASHER	X	X	X	X	X
10	446235	ROTATING HOOK BELT DRIVE PULLEY	X	X	X	X	X
11	141803-451	ROTATING HOOK BELT DRIVE PULLEY SCREW	X	X	X	X	X
12	353511	ROTATING HOOK BOBBIN CASE RETAINING PLATE ASSEMBLY	X	X	X	X	X
13	44892	ROTATING HOOK BOBBIN CASE RETAINING PLATE STUD SPRING	X	X	X	X	X
14	445808	ROTATING HOOK BOBBIN CASE RETAINING PLATE STUD WASHER	X	X	X	X	X
15	353509	ROTATING HOOK BOBBIN CASE RETAINING PLATE RETAINING RING	X	X	X	X	X
16	113430-451	ROTATING HOOK BOBBIN CASE POSITION PLATE SCREW	X	X	X	X	X
17	113430-451	ROTATING HOOK BOBBIN CASE RETAINING PLATE SCREW	X	X	X	X	X
18	44873-001	ROTATING HOOK BOBBIN CASE POSITION PLATE	X	X	X	X	X
19	353410-900	ROTATING HOOK BUSHING	X	X	X	X	X
20	141938-833	ROTATING HOOK BUSHING SET SCREW	X	X	X	X	X
21	353367-451	ROTATING HOOK BUSHING SET SCREW NUT	X	X	X	X	X
22	141844-451	ROTATING HOOK BUSHING ADJUSTING SCREW	X	X	X	X	X
23	618638-004	ROTATING HOOK BUSHING ADJUSTING SCREW NUT	X	X	X	X	X

BIGHT AMPLITUDE

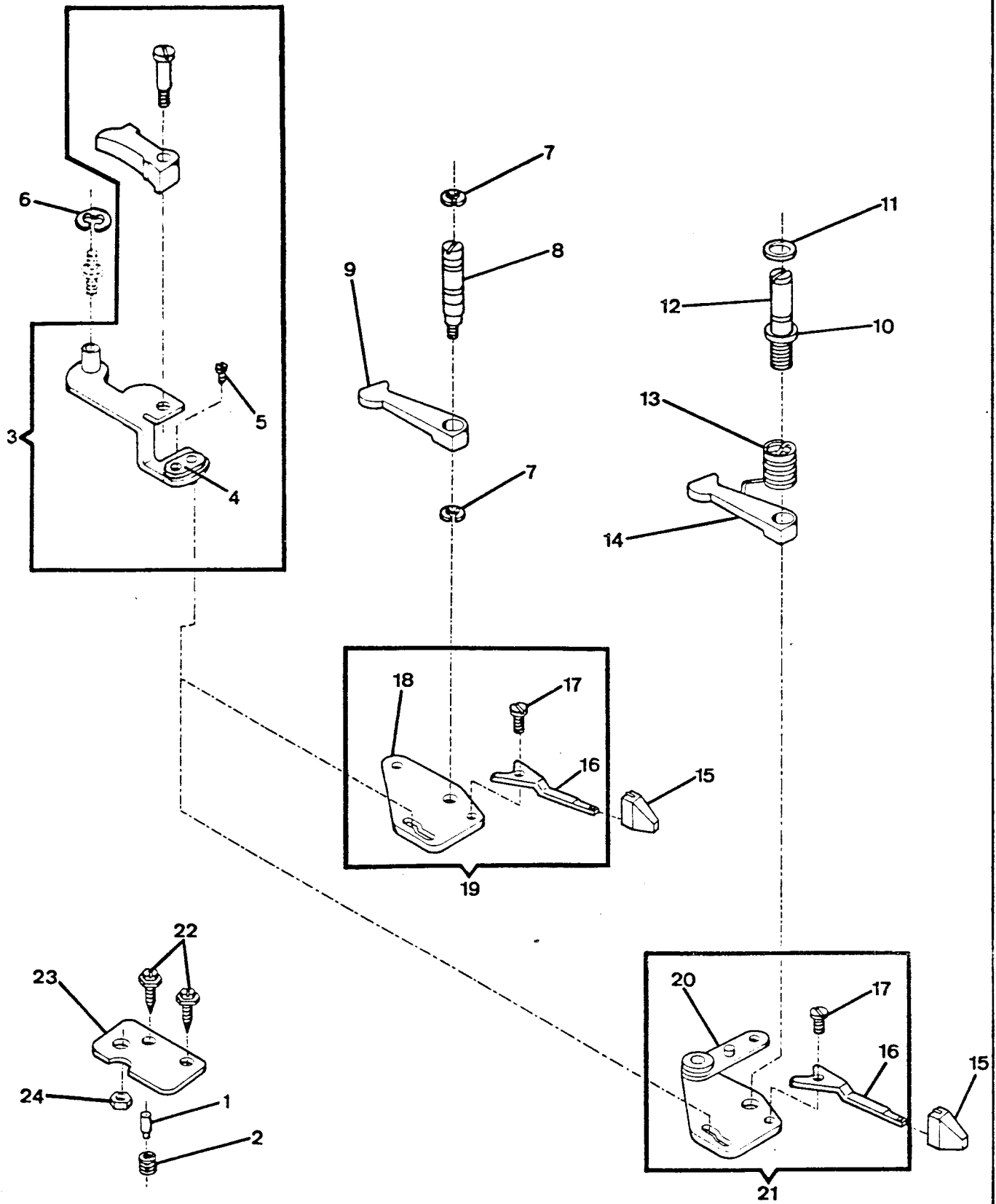


PART LIST
BIGHT AMPLITUDE

5 5 5 5 5
8 8 8 8 8
0 0 0 0 1
2 5 6 8 0

REF.	PART NBR	DESCRIPTION					
01	356057	BIGHT AMPLITUDE CONTROL LEVER MOUNTING BRACKET COMPLETE	X				
01	356113	BIGHT AMPLITUDE CONTROL LEVER MOUNTING BRACKET COMPLETE		X	X	X	X
02	356058	BIGHT AMPLITUDE CONTROL LEVER SUB-ASSEMBLY	X				
02	356114	BIGHT AMPLITUDE CONTROL LEVER SUB-ASSEMBLY		X	X	X	X
03	141913-451	BIGHT AMPLITUDE CONTROL LEVER SCREW	X				
03	139866-451	BIGHT AMPLITUDE CONTROL LEVER SCREW		X	X	X	X
04	44556	BUTTONHOLER BIGHT CONTROL CAM FOLLOWER LEVER LINK (LEFT)		X	X	X	X
05	356061	BIGHT AMPLITUDE CONTROL LEVER	X	X	X	X	X
06	37246	BIGHT AMPLITUDE CONTROL LEVER LINK	X	X	X	X	X
07	354825-451	BIGHT AMPLITUDE CONTROL LEVER LINK HINGE SCREW	X	X	X	X	X
08	49204	BIGHT AMPLITUDE CONTROL LEVER LINK HINGE SCREW FRICTION WASHER	X	X	X	X	X
09	141913-451	BIGHT AMPLITUDE CONTROL LEVER LINK STOP SCREW	X	X	X	X	X
10	446904	BIGHT AMPLITUDE CONTROL LEVER LINK STOP	X	X	X	X	X
11	531793	BIGHT AMPLITUDE CONTROL LEVER MOUNTING BRACKET	X	X	X	X	X
12	54591-451	BIGHT AMPLITUDE CONTROL LEVER LINK HINGE SCREW NUT	X	X	X	X	X
13	113455-001	BIGHT AMPLITUDE CONTROL LEVER MOUNTING BRACKET SCREW	X	X	X	X	X
14	37933-002	NEEDLE BAR DRIVING ARM	X	X	X	X	X
15	37942	NEEDLE BAR DRIVING ARM TENSION SPRING	X	X	X	X	X
16	445780	LIGHT LEAD SHIELD & NEEDLE BAR DRIVING ARM TENSION SPRING MOUNTING PLATE	X	X	X	X	X
17	113455-009	LIGHT LEAD SHIELD & NEEDLE BAR DRIVING ARM TENSION SPRING MOUNTING PLATE SCREW	X	X	X	X	X
18	356204-453	CONTROL LEVER KNOB	X	X	X	X	X

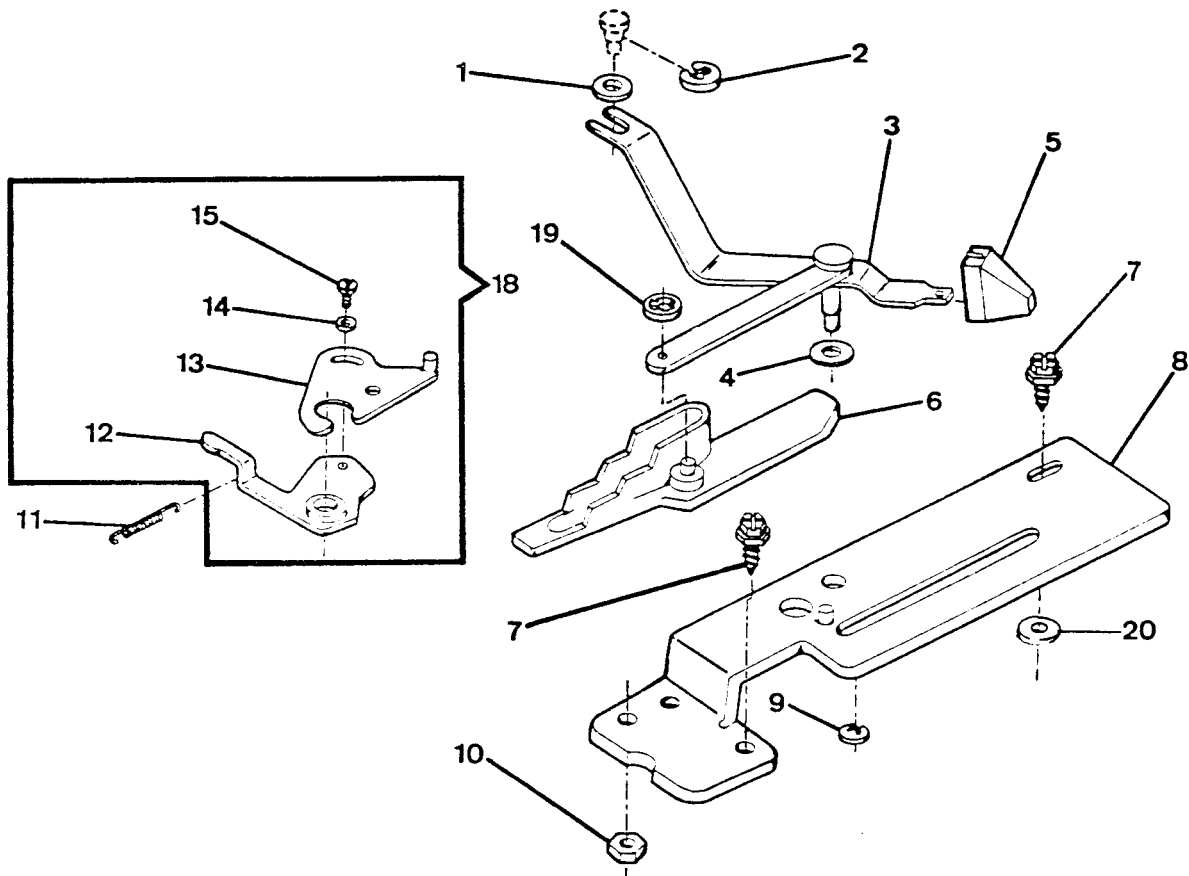
NEEDLE POSITION



PART LIST
NEEDLE POSITION

REF.	PART NBR	DESCRIPTION	5	5	5	5	5
			8	8	8	8	8
			0	0	0	0	1
			2	5	6	8	0
01	356228	NEEDLE POSITION SELECTOR LEVER BRACKET POSITIONING PIN	X	X	X	X	X
02	444800	NEEDLE POSITION SELECTOR LEVER BRACKET POSITIONING PIN SPRING	X	X	X	X	X
03	356636	NEEDLE BAR DRIVING ARM SLIDE BRACKET COMPLETE	X	X	X	X	X
04	531736	NEEDLE POSITION SELECTOR LEVER BRACKET FOLLOWER STUD ARM ASSEMBLY	X	X	X	X	X
05	141913-451	NEEDLE POSITION LEVER BRACKET STUD ARM SET SCREW	X	X	X	X	X
06	445539	NEEDLE BAR VIBRATING BRACKET HINGE PIN RETAINING RING	X	X	X	X	X
07	44371	DISC FOLLOWER STUD RETAINING RING (UPPER & LOWER)	X				
08	446023	DISC FOLLOWER STUD	X				
09	445646	DISC FOLLOWER	X				
10	353585	DISC FOLLOWER STUD COLLAR		X	X	X	X
11	353548	DISC FOLLOWER STUD WASHER		X	X	X	X
12	353584	DISC FOLLOWER STUD		X	X	X	X
13	179897	DISC FOLLOWER SPRING		X	X	X	X
14	446404	DISC FOLLOWER		X	X	X	X
15	356204-453	NEEDLE POSITION SELECTOR LEVER KNOB	X	X	X	X	X
16	356065	NEEDLE POSITION SELECTOR LEVER	X	X	X	X	X
17	141913-451	NEEDLE POSITION SELECTOR LEVER SCREW	X	X	X	X	X
18	353547	NEEDLE POSITION SELECTOR LEVER BRACKET	X				
19	356063	NEEDLE POSITION SELECTOR LEVER ASSEMBLY	X				
20	44628	NEEDLE POSITION SELECTOR LEVER BRACKET		X	X	X	X
21	356062	NEEDLE POSITION SELECTOR LEVER BRACKET COMPLETE		X	X	X	X
22	113455-001	NEEDLE POSITION SELECTOR LEVER MOUNTING PLATE SCREW	X				
23	446401	NEEDLE POSITION SELECTOR LEVER MOUNTING PLATE	X				
24	54591-451	DISC FOLLOWER STUD NUT	X				

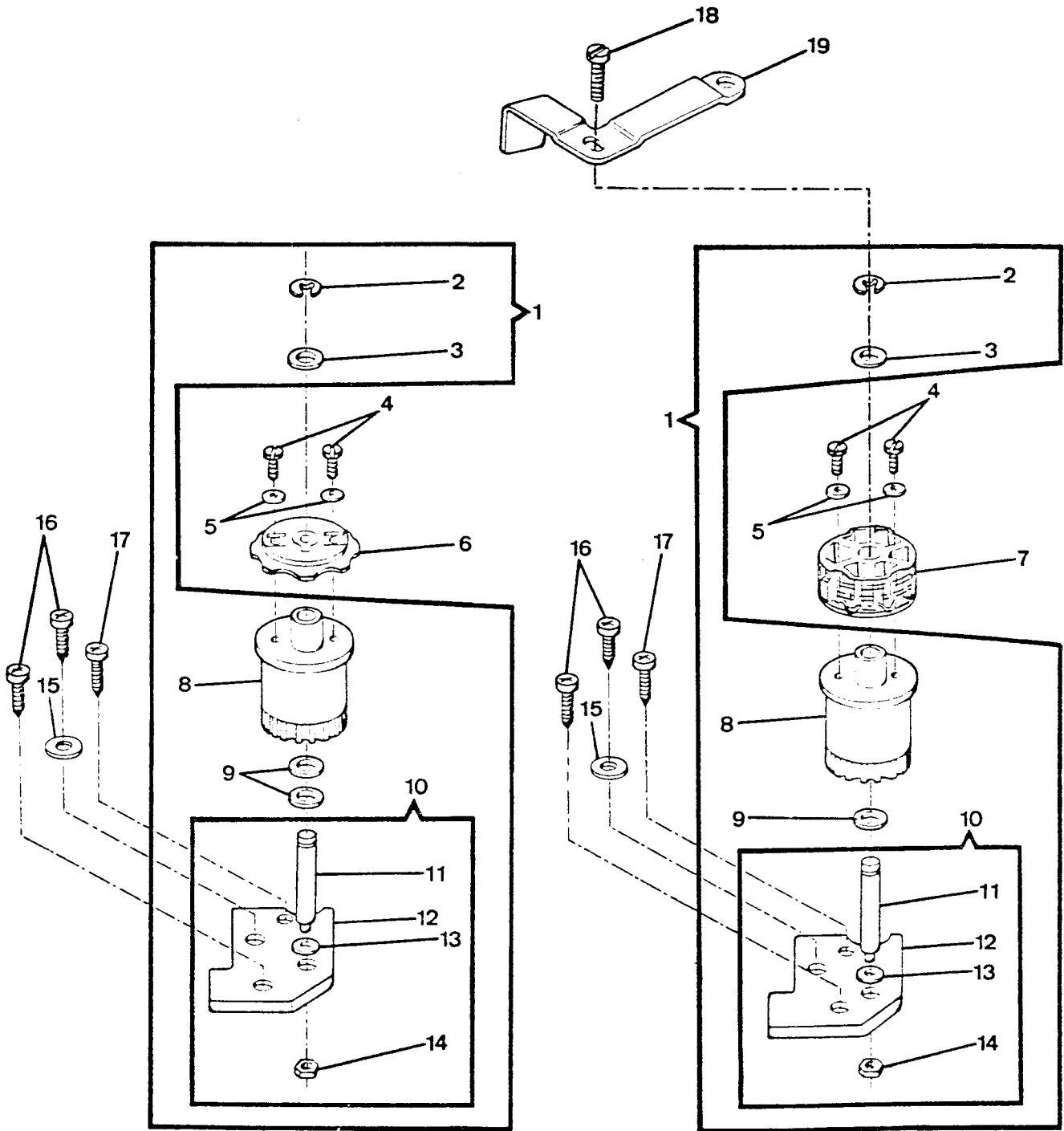
DISC SELECTOR ASSEMBLY



PART LIST
DISC SELECTION ASSEMBLY

REF.	PART NBR	DESCRIPTION	5	5	5	5	5
			8	8	8	8	8
			0	0	0	0	1
			2	5	6	8	0
01	444923-453	PATTERN SELECTOR LEVER HINGE STUD WASHER	X	X	X	X	X
02	445486	PATTERN SELECTOR LEVER RETAINING RING	X	X	X	X	X
03	356069	PATTERN SELECTOR LEVER COMPLETE	X	X	X	X	X
04	446138	PARTEN SELECTOR DRIVE STUD WASHER	X	X	X	X	X
05	356204-453	NEEDLE POSITION SELECTOR LEVER KNOB	X	X	X	X	X
06	353322	PATTERN SELECTOR CAM SLIDE			X		
06	446406	PATTERN SELECTOR CAM SLIDE	X				X
06	353323	PATTERN SELECTOR CAM SLIDE				X	
07	113455-001	PATTERN SELECTOR MOUNTING PLATE SCREW	X	X	X	X	X
08	446405	PATTERN SELECTOR MOUNTING PLATE COMPLETE	X	X	X	X	X
09	408030	PATTERN SELECTOR LEVER RETAINING RING	X	X	X	X	X
10	54591-451	DISC FOLLOWER STUD NUT	X	X	X	X	X
11	446415	DISC FOLLOWER DISENGAGING LEVER SPRING	X	X	X	X	X
12	446412	DISC FOLLOWER DISENGAGING LEVER	X	X	X	X	X
13	446411	DISC FOLLOWER DISENGAGING LEVER PLATE ASSEMBLY	X	X	X	X	X
14	445808-452	DISC FOLLOWER DISENGAGING LEVER PLATE ADJUSTING SCREW WASHER	X	X	X	X	X
15	141913-451	DISC FOLLOWER DISENGAGING LEVER PLATE ADJUSTING SCREW	X	X	X	X	X
18	446410	DISC FOLLOWER DISENGAGING LEVER PLATE COMPLETE	X	X	X	X	X
19	446417	PATTERN SELECTOR CAM SLIDE CONNECTING LINK RETAINING RING	X	X	X	X	X
20	353488	PATTERN SELECTOR MOUNTING PLATE SPACER	X	X	X	X	X

CAM STACK

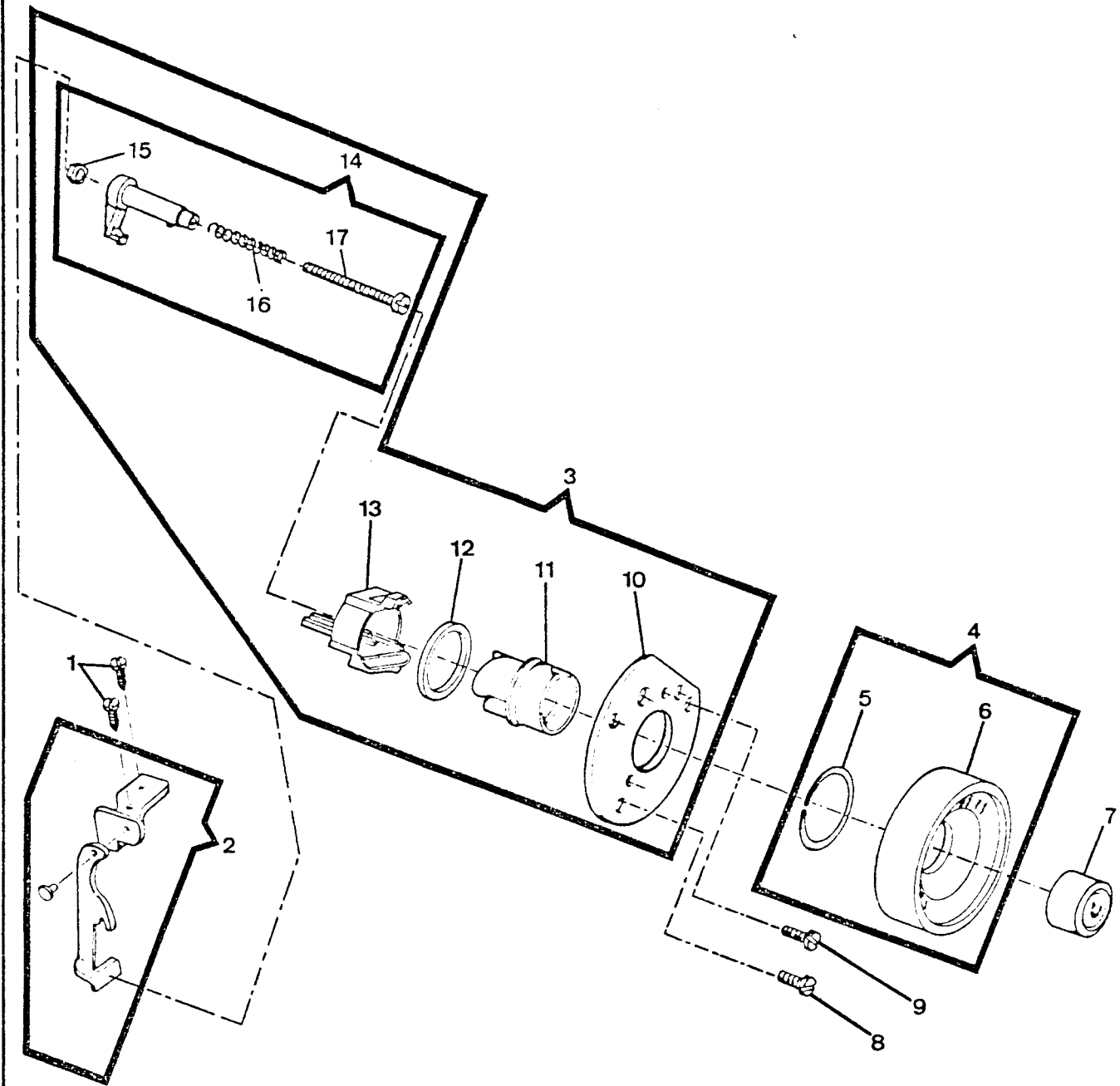


PART LIST
CAM STACK

5 5 5 5 5
8 8 8 8 8
0 0 0 0 1
2 5 6 8 0

REF.	PART NBR	DESCRIPTION					
01	446421-930	DISC DRIVING GEAR COMPLETE	X				
01	353288-930	DISC DRIVING GEAR COMPLETE		X			
01	353288-931	DISC DRIVING GEAR COMPLETE			X	X	X
02	444921	DISC DRIVING GEAR RETAINING RING	X	X	X	X	X
03	444923-453	DISC DRIVING GEAR SHAFT FRICTION WASHER	X	X	X	X	X
04	113375-451	DISC STACK POSITIONING SCREW	X				
04	141920-452	DISC STACK POSITIONING SCREW		X	X	X	X
05	446138	DISC STACK POSITIONING SCREW WASHER	X	X	X	X	X
06	445762	DISC STACK (PLASTIC)	X				
07	353287	DISC STACK (PLASTIC)		X	X	X	X
08	179958	DISC DRIVING GEAR	X				
08	445754	DISC DRIVING GEAR		X	X	X	X
09	353424	DISC DRIVING GEAR SHAFT SPACER		X	X	X	X
10	446420	DISC DRIVING GEAR SHAFT MOUNTING PLATE ASSEMBLY	X	X			
10	446420-001	DISC DRIVING GEAR SHAFT MOUNTING PLATE ASSEMBLY			X	X	X
11	446418	DISC DRIVING GEAR SHAFT	X	X			
11	446418-001	DISC DRIVING GEAR SHAFT			X	X	X
12	353575	DISC DRIVING GEAR SHAFT MOUNTING PLATE	X	X	X	X	X
13	353488	DISC DRIVING GEAR SHAFT WASHER	X	X	X	X	X
14	53648-451	DISC DRIVING GEAR SHAFT NUT	X	X	X	X	X
15	353375-451	DISC DRIVING GEAR SHAFT MOUNTING PLATE SCREW WASHER	X	X	X	X	X
16	113435-451	DISC DRIVING GEAR SHAFT MOUNTING PLATE SCREW	X	X	X	X	X
17	113455-001	DISC DRIVING GEAR SHAFT MOUNTING PLATE SCREW	X	X	X	X	X
18	354654-451	DISC DRIVING GEAR (COMPLETE) SUPPORT MOUNTING SCREW			X	X	X
19	353440-900	DISC DRIVING GEAR (COMPLETE) SUPPORT BRACKET			X	X	X

FEED REGULATOR CAM

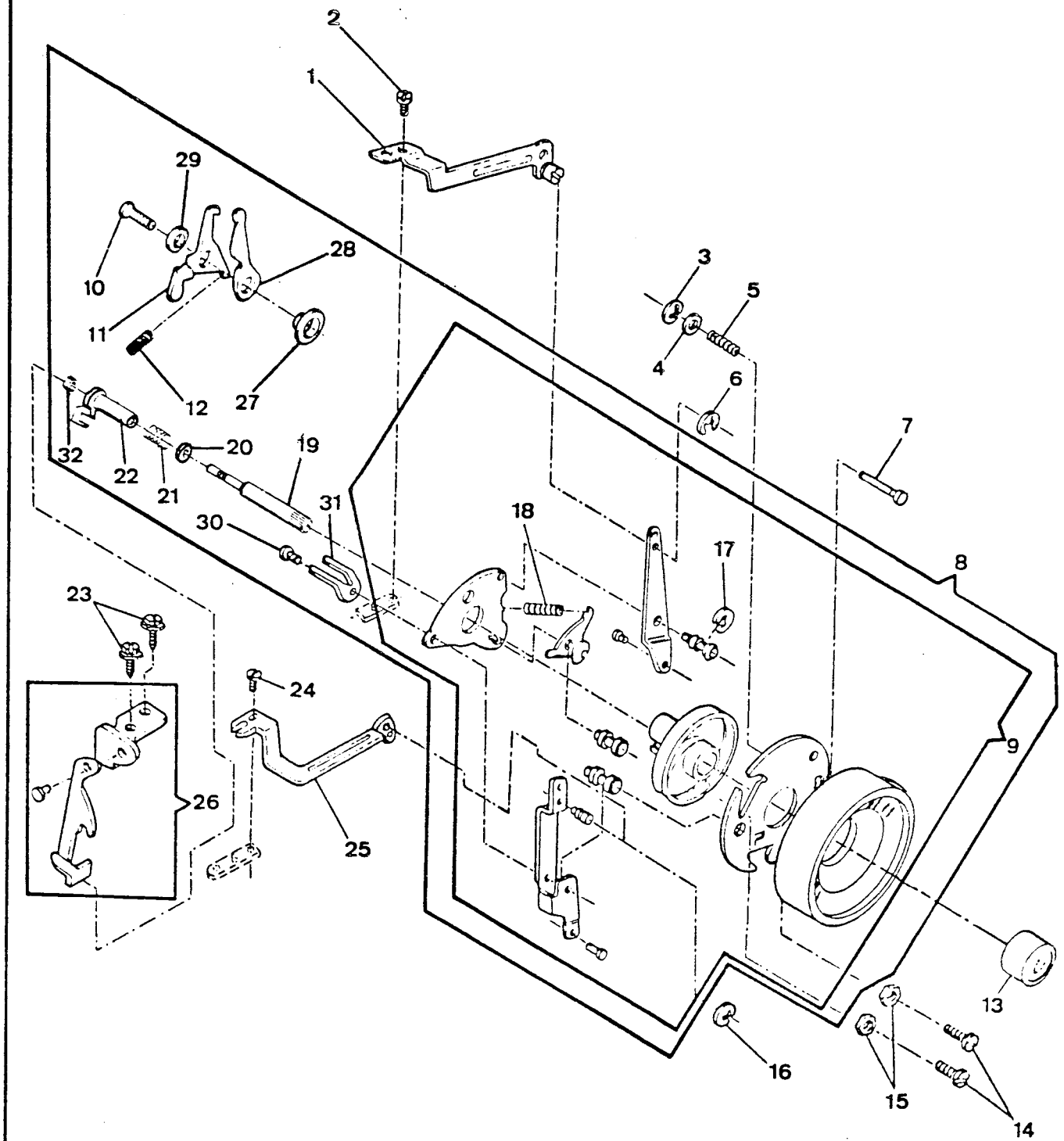


PART LIST
FEED REGULATOR CAM

5 5 5 5 5
8 8 8 8 8
0 0 0 0 1
2 5 6 8 0

REF.	PART NBR	DESCRIPTION	
01	113455-001	FEED REGULATOR CONTROL ARM MOUNTING BRACKET SCREW	X
02	353304	FEED REGULATOR CONTROL ARM ASSEMBLY	X
03	353478	FEED REGULATOR CAM	X
04	356066-452	FEED REGULATOR CONTROL DIAL ASSEMBLY	X
05	445461	FEED REGULATOR CONTROL DIAL RETAINING RING	X
06	356067-452	FEED REGULATOR CONTROL DIAL	X
07	356115-452	FEED REGULATOR POSITIONING PIN KNOB	X
08	531807-451	FEED REGULATOR MOUNTING PLATE SCREW (LEFT)	X
09	531806-451	FEED REGULATOR MOUNTING PLATE SCREW (RIGHT)	X
10	446283	FEED REGULATOR MECHANISM MOUNTING PLATE	X
11	353477	FEED REGULATOR CAM (PLASTIC)	X
12	446282	FEED REGULATOR FRICTION WASHER	X
13	446284	FEED REGULATOR MOUNTING PLATE	X
14	356397	FEED REGULATOR CAM FOLLOWER ASSEMBLY	X
15	618638-005	FEED REGULATOR CAM FOLLOWER POSITIONING SPRING NUT	X
16	44892	FEED REGULATOR CAM FOLLOWER POSITIONING SPRING	X
17	354975	FEED REGULATOR CAM FOLLOWER POSITIONING SCREW	X

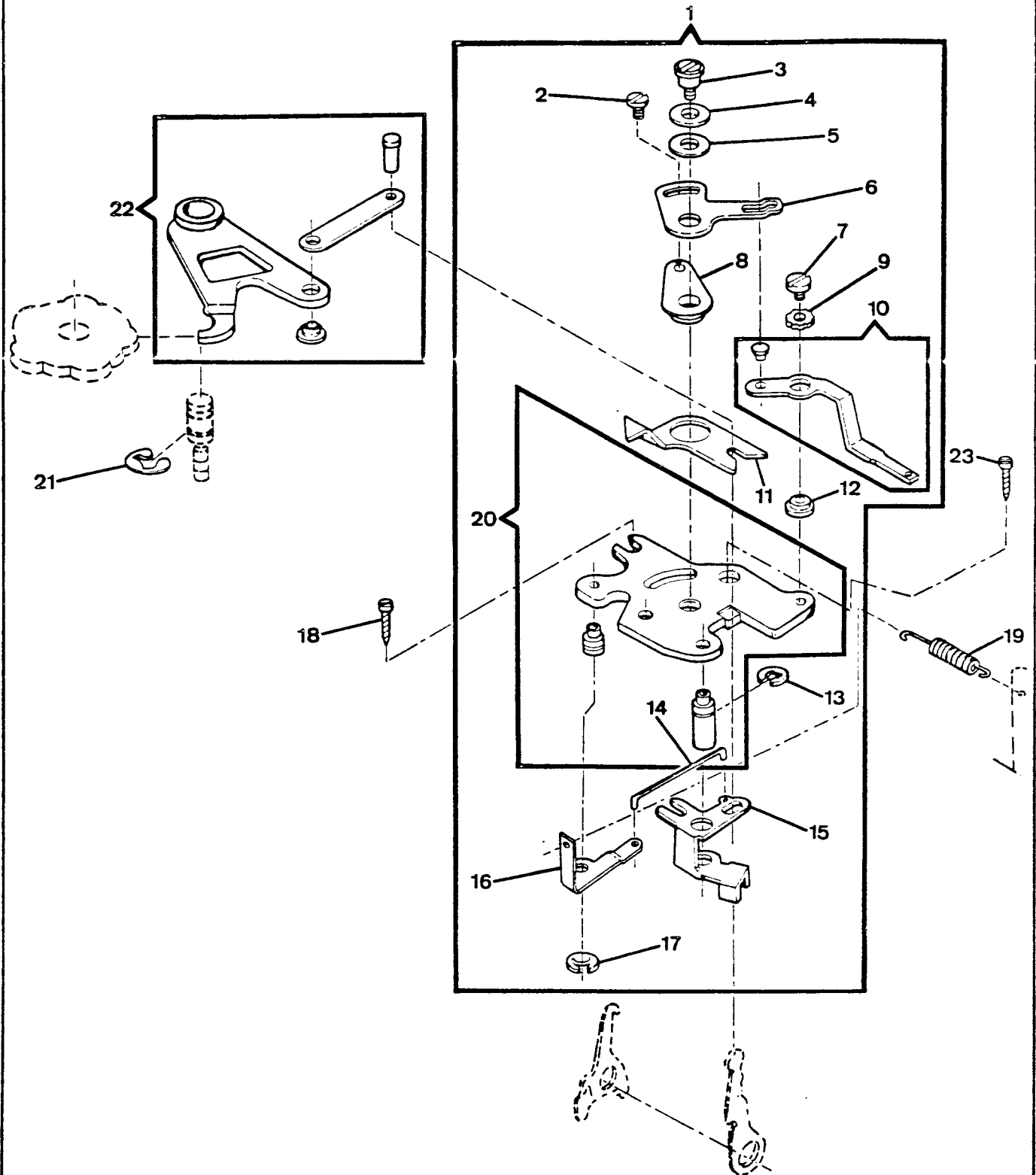
BUTTONHOLER & FEED REGULATOR CAM



PART LIST

BUTTMHOLER & FEED REGULATOR CAM			5	5	5	5	5
			8	8	8	8	8
			0	0	0	0	1
REF.	PART NBR	DESCRIPTION	2	5	6	8	0
01	353536	BH.NEEDLE POS.CAM FOLLOWER LEVER LINK (RIGHT)	X	X	X	X	
02	141913-451	BUTTONHOLER NEEDLE POSITION CAM FOLLOWER LEVER LINK (LEFT & RIGHT) SCREW	X	X	X	X	
03	408030	BH. & FEED REG.MECHANISM MTG.PLATE RET.RING	X	X	X	X	
04	445808	BUTTONHOLER & FEED REGULATOR MECHANISM MOUNTING PLATE STUD SPRING WASHER	X	X	X	X	
05	179949	BUTTONHOLER & FEED REGULATOR MECHANISM MOUNTING PLATE STUD SPRING	X	X	X	X	
06	445486	BUTTONHOLER BIGHT CONTROL CAM FOLLOWER LEVER LINK (RIGHT) RETAINING RING	X	X	X	X	
07	356230	BUTTONHOLER & FEED REGULATOR MECHANISM MOUNTING PLATE STUD	X	X	X	X	
08	356797-455	BUTTONHOLER & FEED REGULATOR CAM COMPLETE	X				
08	356792-457	BUTTONHOLER & FEED REGULATOR CAM COMPLETE		X	X	X	
09	356798-455	BUTTONHOLER & FEED REGULATOR CAM ASSEMBLY	X				
09	356793-457	BUTTONHOLER & FEED REGULATOR CAM ASSEMBLY		X	X	X	
10	113372-451	CAM CONTROL FEED ENGAGING CAM FOLLOWER & LEVER MOUNTING SCREW	X	X	X	X	
11	353320	CAM CONTROL FEED ENGAGING CAM FOLLOWER	X	X	X	X	
12	353495	CAM CONTROL FEED ENGAGING CAM FOLLOWER & LEVER SPRING	X	X	X	X	
13	356653-456	FEED REGULATOR POSITIONING PIN KNOB	X	X	X	X	
14	113513-451	BUTTONHOLER & FEED REGULATOR MECHANISM MOUNTING PLATE SCREW	X	X	X	X	
15	353588-451	BUTTONHOLER & FEED REGULATOR MECHANISM MOUNTING PLATE SCREW NUT	X	X	X	X	
16	445486	BUTTONHOLER BIGHT CONTROL CAM FOLLOWER LEVER LINK (RIGHT) RETAINING RING	X	X	X	X	
17	353215	BUTTONHOLER NEEDLE POSITION CAM FOLLOWER LEVER RETAINING RING	X	X	X	X	
18	353495	BH. & FEED REGULATOR CONTROL DIAL PAWL SPRING	X	X	X	X	
19	356650	FEED REGULATOR POSITIONING PIN	X	X	X	X	
20	356830-001	FEED REGULATOR POSITIONING PIN WASHER	X	X	X	X	
21	44892	FEED REGULATOR POSIT. PIN FRICTION WASHER	X	X	X	X	
22	356652	FEED REGULATOR POSITIONING PIN CARRIER	X	X	X	X	
23	113455-001	FEED REGULATOR CONTROL ARM MOUNTING BKT.SCREW	X	X	X	X	
24	141913-451	BUTTONHOLER BIGHT CONTROL CAM FOLLOWER LEVER LINK (LEFT & RIGHT) SCREW	X	X	X	X	
25	356081	BH. BIGHT CONTROL CAM FOLLOWER LEVER LINK	X	X	X	X	
26	353304	FEED REGULATOR CONTROL ARM ASSEMBLY	X	X	X	X	
27	353319	CAM CONTROL FEED ENGAGING CAM FOLLOWER & LEVER BUSHING			X	X	X
28	353321	CAM CONTROL FEED ENGAGING CAM FOLLOWER LEVER			X	X	X
29	445539	CAM CONTROL FEED ENGAGING CAM FOLLOWER & LEVER WASHER			X	X	X
30	113424-451	FEED REGULATOR POSITIONING PIN CARRIER GUIDE BRACKET SET SCREW	X	X	X	X	
31	353311-900	FEED REGULATOR POSITIONING PIN CARRIER GUIDE BRACKET	X	X	X	X	
32	618638-005	FEED REG. POSITIONING PIN CARRIER INSERT NUT	X	X	X	X	

CAM CONTROLLED FEED

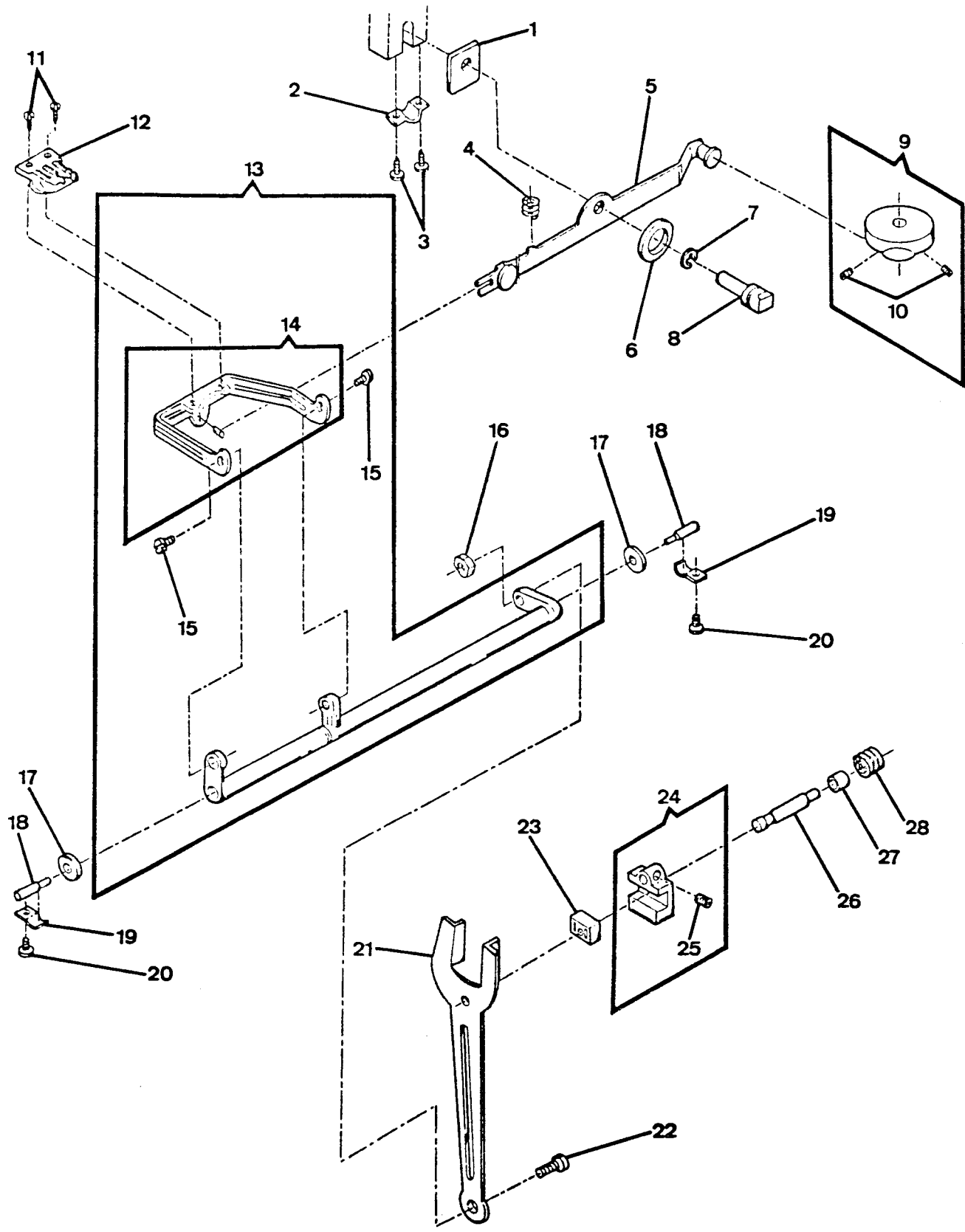


PART LIST
CAM CONTROLLED FEED

5 5 5 5 5
8 8 8 8 8
0 0 0 0 1
2 5 6 8 0

REF.	PART NBR	DESCRIPTION					
01	356074	CAM CONTROLLED FEED MOUNTING BRACKET COMPLETE				X	X X
02	141913-451	CAM CONTROLLED FEED BALANCE ADJUSTING SCREW				X	X X
03	113423-451	CAM CONTROLLED FEED BALANCE ADJUSTING SPRING HINGE SCREW				X	X X
04	543531	CAM CONTROLLED FEED BALANCE ADJUSTING SCREW WASHER				X	X X
05	353492	CAM CONTROLLED FEED BALANCE ADJUSTING SPRING WASHER				X	X X
06	531754	CAM CONTROLLED FEED BALANCE ADJUSTING PLATE				X	X X
07	113424-451	CAM CONTROLLED FEED BALANCE ADJUSTING LEVER HINGE SCREW				X	X X
08	353331	CAM CONTROLLED FEED DRIVING ARM ECCENTRIC				X	X X
09	179898-001	CAM CONTROLLED FEED BALANCE ADJUSTING LEVER WASHER				X	X X
10	356076-452	CAM CONTROLLED FEED BALANCE ADJUSTING LEVER				X	X X
11	353330-001	CAM CONTROLLED FEED DRIVING ARM				X	X X
12	353334	CAM CONTROLLED FEED BALANCE ADJUSTING LEVER MOUNTING BUSHING				X	X X
13	445721	CAM CONTROLLED FEED ENGAGING CRANK RETAINING RING				X	X X
14	353473	CAM CONTROLLED FEED ENGAGING CRANK LINK				X	X X
15	353329	CAM CONTROLLED FEED ENGAGING CRANK				X	X X
16	356166	CAM CONTROLLED FEED ENGAGING CRANK LEVER				X	X X
17	445486	FEED REGULATOR CONTROL ARM BIAS LINK ENGAGING LEVER RETAINING RING				X	X X
18	355243-451	CAM CONTROLLED FEED MOUNTING BRACKET SCREW				X	X X
19	356605	FEED REGULATOR CONTROL ARM BIAS LINK SPRING				X	X X
20	531750	CAM CONTROLLED FEED MOUNTING BRACKET (SUB-ASSEMBLY)				X	X X
21	445486	CAM CONTROLLED FEED FOLLOWER & LINK ASSEMBLY RETAINING RING				X	X X
22	353335	CAM CONTROLLED FEED FOLLOWER & LINK ASSEMBLY				X	X X
23	113455-003	CAM CONTROLLED FEED MOUNTING BRACKET SCREW				X	X X

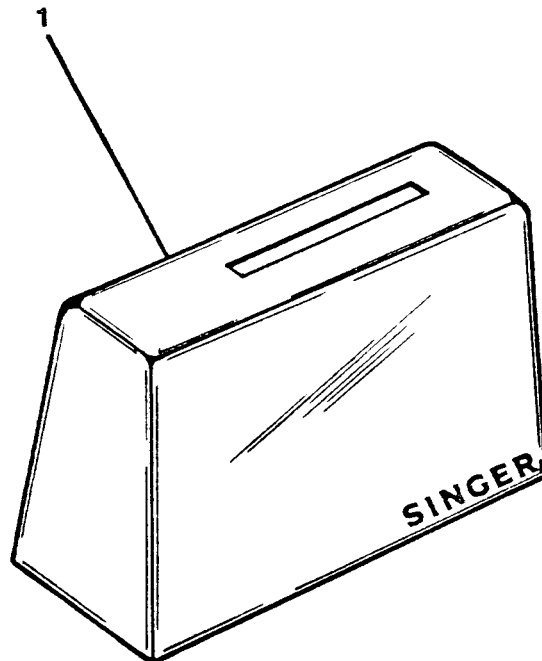
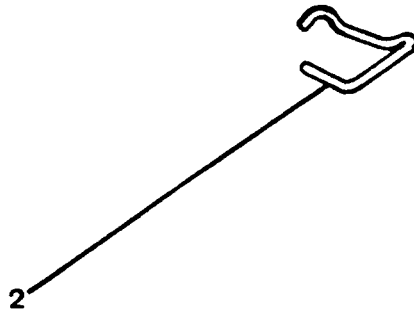
FEED SYSTEM



PART LIST
FEED SYSTEM

REF.	PART NBR	DESCRIPTION	5	5	5	5	5
			8	8	8	8	8
			0	0	0	0	1
			2	5	6	8	0
01	179955	FEED LIFTING LEVER HINGE STUD (ECCENTRIC) SPACER	X	X	X	X	X
02	446485	FEED LIFTING LEVER HINGE STUD (ECCENTRIC) CLAMP	X	X	X	X	X
03	113455-001	FEED LIFTING LEVER HINGE STUD (ECCENTRIC) CLAMP SCREW					
04	446249	FEED LIFTING LEVER SPRING	X	X	X	X	X
05	356222	FEED LIFTING LEVER	X	X	X	X	X
06	353427	FEED LIFTING LEVER HINGE STUD (ECCENTRIC) WASHER	X	X	X	X	X
07	353428	FEED LIFTING LEVER HINGE STUD (ECCENTRIC) RETAINING RING	X	X	X	X	X
08	353448	FEED LIFTING LEVER HINGE STUD (ECCENTRIC)	X	X	X	X	X
09	446228	FEED LIFTING CAM	X	X	X	X	X
10	544118	FEED LIFTING CAM SCREW	X	X	X	X	X
11	355235-451	FEED DOG SCREW	X	X	X	X	X
12	179891	FEED DOG	X	X	X	X	X
13	446216	FEED ROCK SHAFT COMPLETE	X	X	X	X	X
14	446205	FEED BAR ASSEMBLY	X	X	X	X	X
15	354939-451	FEED BAR HINGE SCREW	X	X	X	X	X
16	53648-451	FEED FORKED CONNECTING SCREW STUD NUT	X	X	X	X	X
17	353397	FEED ROCK SHAFT CENTER (LEFT) NOISE DAMPENING WASHER	X	X	X	X	X
18	446487-001	FEED ROCK SHAFT CENTER	X	X	X	X	X
19	446484	FEED ROCK SHAFT CENTER CLAMP (LEFT & RIGHT)	X	X	X	X	X
20	113455-001	FEED ROCK SHAFT CENTER SUPPORTING BRACKET SCREW	X	X	X	X	X
21	531926	FEED FORKED CONNECTING	X	X	X	X	X
22	531623-451	FEED FORKED CONNECTING HINGE SCREW (ECCENTRIC)	X	X	X	X	X
23	44437	FEED FORKED CONNECTING SLIDE BLOCK	X	X	X	X	X
24	446244	FEED REGULATOR ASSEMBLY	X	X	X	X	X
25	141925-833	FEED REGULATOR SET SCREW	X	X	X	X	X
26	446483	FEED REGULATOR HINGE STUD	X	X	X	X	X
27	445768	FEED REGULATOR RETURN SPRING BUSHING (PLASTIC)	X	X	X	X	X
28	179890	FEED REGULATOR RETURN SPRING	X	X	X	X	X

OPTIONS

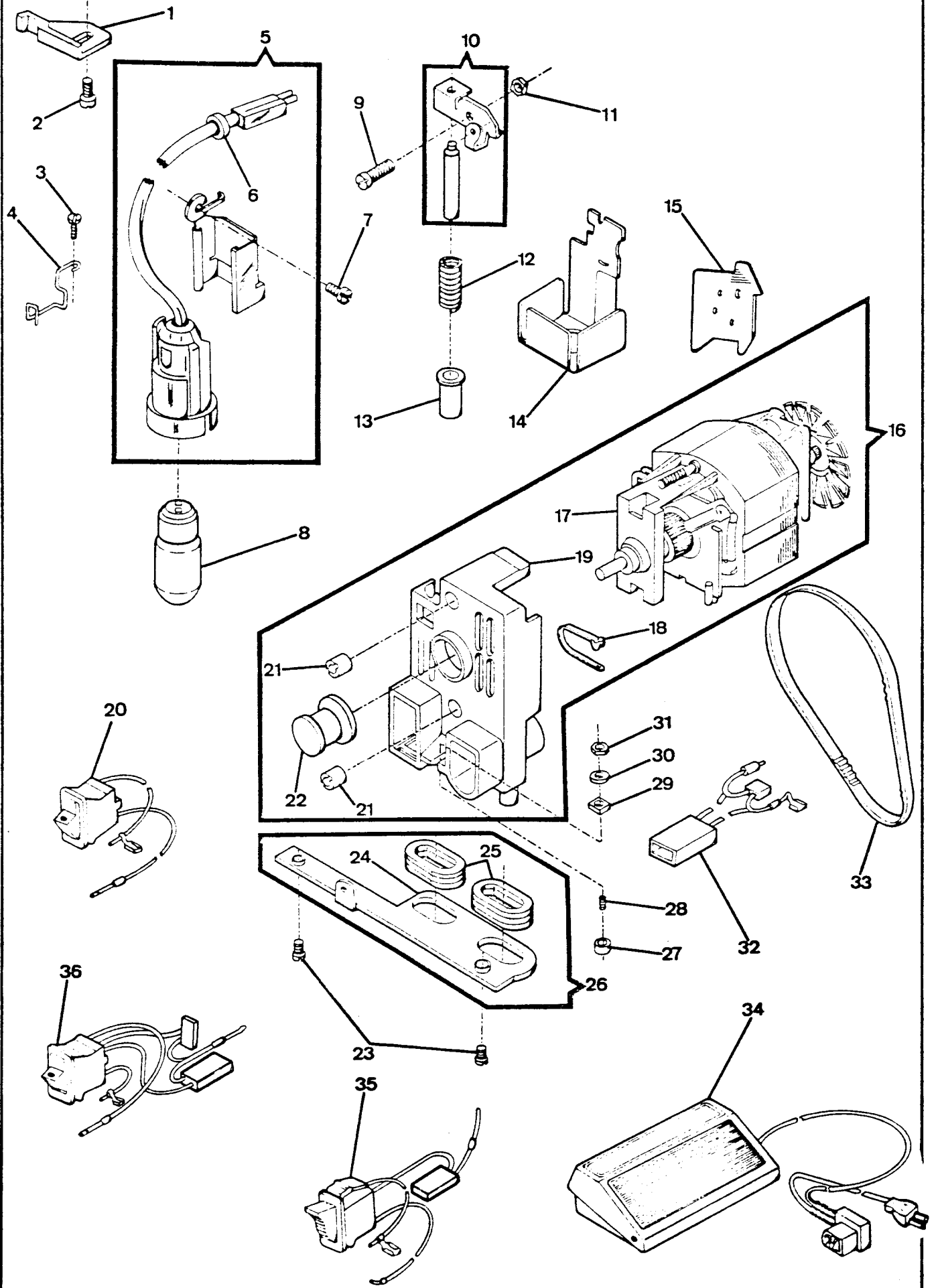


PART LIST
 OPTIONS

5 5 5 5 5
 8 8 8 8 8
 0 0 0 0 1
 2 5 6 8 0

REF.	PART NBR	DESCRIPTION					
01	356392-452	SOFT VINIL COVER (TUBULAR BED)	X	X	X	X	X
02	116863	FINGER GUARD	X	X	X	X	X

ELECTRICAL EQUIPMENT



PART LIST
ELECTRICAL EQUIPMENT

REF.	PART NBR	DESCRIPTION	5	5	5	5	5
			8	8	8	8	8
			0	0	0	0	1
			2	5	6	8	0
01	353411	LIGHT LEAD RETAINING CLIP	X	X	X	X	X
02	113504-451	LIGHT LEAD RETAINING CLIP MOUNTING SCREW	X	X	X	X	X
03	113455-001	LIGHT LEAD WIRE RETAINER MOUNTING SCREW	X	X	X	X	X
04	353247	LIGHT LEAD WIRE RETAINER	X	X	X	X	X
05		REFER TO CHARTS ON FOLLOWING PAGES					
06	179908	LIGHT LEAD GROMMET	X	X	X	X	X
07	354592-451	LIGHT SOCKET MOUNTING SCREW	X	X	X	X	X
08	988076-001	LAMP (120V)	X	X	X	X	X
08	988076-003	LAMP (220V)	X	X	X	X	X
08	988076-005	LAMP (250V)	X	X	X	X	X
09	113372-451	MOTOR GUIDE PIN MOUNTING BRACKET SCREW	X	X	X	X	X
10	446470	MOTOR GUIDE PIN MOUNTING BRACKET ASSEMBLY	X	X	X	X	X
11	313470-452	MOTOR GUIDE PIN MOUNTING BRACKET SCREW NUT	X	X	X	X	X
12	446473	MOTOR BELT TENSION SPRING	X	X	X	X	X
13	446475	MOTOR GUIDE PIN BUSHING	X	X	X	X	X
14	605087-001	HEAT SHIELD (FOR EUROPE)	X	X	X	X	X
15	179901	LIGHT SHIELD (WITHOUT GRAPHICS)	X	X	X	X	X
15	179910-451	LIGHT SHIELD WITH GRAPHICS	X	X	X	X	X
16		REFER TO CHARTS ON FOLLOWING PAGES					
17		REFER TO CHARTS ON FOLLOWING PAGES					
18	605600-004	TYE RAP	X	X	X	X	X
19		REFER TO CHARTS ON FOLLOWING PAGES					
20		REFER TO CHARTS ON FOLLOWING PAGES					
21	603907-001	MOTOR MODULE NUT	X	X	X	X	X
22	988761-001	MOTOR PULLEY	X	X	X	X	X
23	113370-451	MOTOR MOUNTING PLATE SCREW	X	X	X	X	X
24	446476	MOTOR MOUNTING PLATE	X	X	X	X	X
25	353355	MOTOR MOUNTING PLATE GROMMET	X	X	X	X	X
26	446479	MOTOR MOUNTING PLATE ASSEMBLY	X	X	X	X	X
27	988887-001	MOTOR BELT SCREW CAP	X	X	X	X	X
28	113343-451	MOTOR BELT SCREW	X	X	X	X	X
29	179887	MOTOR BELT SCREW NUT	X	X	X	X	X
30	445539	MOTOR ADJUSTING SCREW LOCK NUT WASHER	X	X	X	X	X
31	353402-451	MOTOR ADJUSTING SCREW LOCK NUT	X	X	X	X	X
32	988768-002	LIGHT RECEPTACLE HARNESS (SURPRESSED)					
		COMPLETE	X	X	X	X	X
33	353518-001	MOTOR BELT	X	X	X	X	X
34		REFER TO CHARTS ON FOLLOWING PAGES					
35		REFER TO CHARTS ON FOLLOWING PAGES					
36		REFER TO CHARTS ON FOLLOWING PAGES					

ELECTRICAL EQUIPMENT

		U.S	CANADA	EUROPE	GREAT BRITAIN
REF.	1 SPEED UNSURPRESSED	(120V)	(120V)	(220V)	(240V)
	-----	-----	-----	-----	-----
5	LIGHT COMP.	605488-023	605488-023		
5	LIGHT SOCKET (ALT.)	362160-002	362160-007		
16	MOTOR COMPLETE	988759-006	988759-006		
17	SERIES MOTOR MODULE	988752-001	988752-001		
19	COMMUTATOR END	988760-002	988760-002		
34	CONTROLLER	362095-001	362095-001		
34	CONTROLLER (ALT.)	979314-031	979314-031		
20	SWITCH	988763-002	988763-002		
	1 SPEED SURPRESSED				

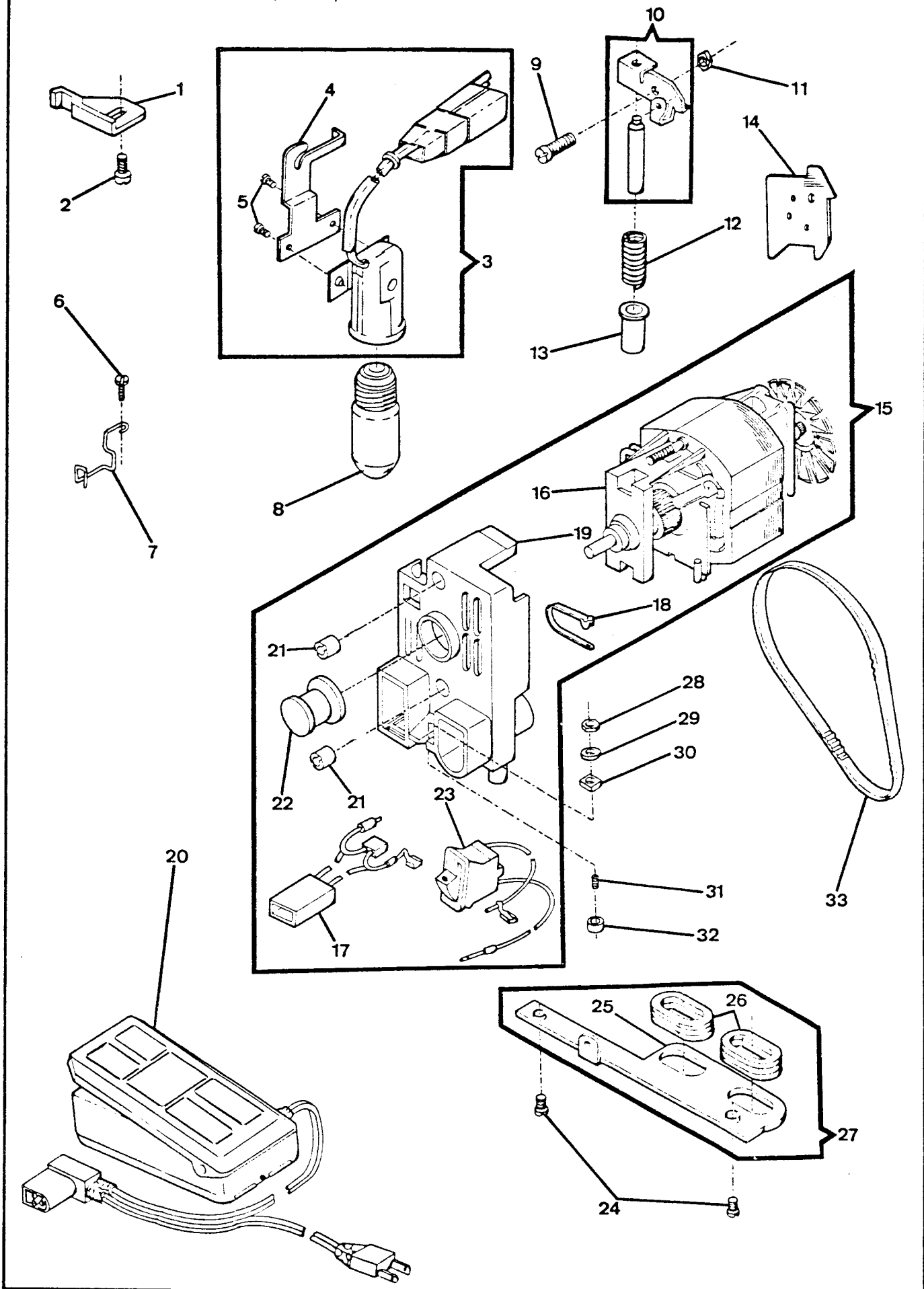
5	LIGHT COMP.			605488-021	605488-021
5	LIGHT SOCKET (ALT.)			-----	-----
16	MOTOR COMPLETE			988759-007	988759-008
17	SERIES MOTOR MODULE			988752-002	988752-003
19	COMMUTATOR END			988760-002	988760-002
34	CONTROLLER			362095-026	362095-027
34	CONTROLLER (ALT.)			979314-026	979314-027
20	SWITCH			988763-004	988763-004

ELECTRICAL EQUIPMENT

		ASIA & AFRICA & SOUTH AMERICA	ASIA & AFRICA & SOUTH AMERICA	AFRICA & SOUTH AMERICA	AMEDO
REF.	1 SPEED UNSURPRESSED -----	FLAT BLADE (120V) -----	FLAT BLADE (220V) -----	ROUND PIN (120V) -----	ROUND PIN (120V) -----
5	LIGHT COMP.	605488-023	605488-023	605488-023	605488-023
5	LIGHT SOCKET (ALT.)	362001-007	362001-007	362001-007	362001-007
16	MOTOR COMPLETE	362175-004	362175-005	362175-004	988759-012
17	SERIES MOTOR MODULE	988752-006	988752-007	988752-006	988752-P04
19	COMMUTATOR END	988760-002	988760-002	988760-002	988760-002
34	CONTROLLER	362095-007	362095-024	362095-005	362095-005
34	CONTROLLER (ALT.)	979314-023	979314-024	979314-021	979314-021
20	SWITCH	988763-001	988763-001	988763-001	988763-001
	 1 SPEED SURPRESSED -----				
5	LIGHT COMP.				
5	LIGHT SOCKET (ALT.)				
16	MOTOR COMPLETE				
17	SERIES MOTOR MODULE				
19	COMMUTATOR END				
34	CONTROLLER				
34	CONTROLLER (ALT.)				
20	SWITCH - 2 SPEED				

ELECTRICAL EQUIPMENT

		AFRICA & SOUTH AMERICA	SOUTH AFRICA	AMEDO	AUSTRALIA
REF.	1 SPEED UNSURPRESSED -----	ROUND PIN (220V) -----	ROUND PIN (220V)	ROUND PIN (220V) -----	(240V) -----
5	LIGHT COMP.	605488-023		605488-023	
5	LIGHT SOCKET (ALT.)	362001-007		362001-007	
16	MOTOR COMPLETE	988759-005		988759-013	
17	SERIES MOTOR MODULE	988752-007		988752-P05	
19	COMMUTATOR END	988760-002		988760-002	
34	CONTROLLER	362095-022		362095-022	
34	CONTROLLER (ALT.)	979314-022		979314-022	
20	SWITCH	988763-001		988763-001	
	1 SPEED SURPRESSED -----				
5	LIGHT COMP.				605488-021
5	LIGHT SOCKET (ALT.)				-----
16	MOTOR COMPLETE				988759-008
17	SERIES MOTOR MODULE				988752-003
19	COMMUTATOR END				988760-002
34	CONTROLLER				988274-057
34	CONTROLLER (ALT.)				362095-028
20	SWITCH				988763-004



PART LIST
ELECTRICAL EQUIPMENT 110V, SINGLE SPEED,
SUPPRESSED (JAPAN ONLY)

REF.	PART NBR	DESCRIPTION	5	5	5	5	5
			8	8	8	8	8
			0	0	0	0	1
			2	5	6	8	0
01	353411	LIGHT LEAD RETAINING CLIP	X	X	X	X	X
02	113504-001	LIGHT LEAD RETAINING CLIP MOUNTING SCREW	X	X	X	X	X
03	979148-001	LIGHT COMPLETE	X	X	X	X	X
04	979146-001	LIGHT SOCKET BRACKET	X	X	X	X	X
05	141913-451	LIGHT SOCKET MOUNTING SCREW	X	X	X	X	X
06	113455-001	LIGHT LEAD WIRE RETAINER MOUNTING SCREW	X	X	X	X	X
07	353247	LIGHT LEAD WIRE RETAINER	X	X	X	X	X
08	549887-003	LAMP	X	X	X	X	X
09	113372-451	MOTOR GUIDE PIN MOUNTING BRACKET SCREW	X	X	X	X	X
10	446470	MOTOR GUIDE PIN MOUNTING BRACKET ASSEMBLY	X	X	X	X	X
11	313470-452	MOTOR GUIDE PIN MOUNTING BRACKET SCREW NUT	X	X	X	X	X
12	446473	MOTOR BELT TENSION SPRING	X	X	X	X	X
13	446475	MOTOR GUIDE PIN BUSHING	X	X	X	X	X
14	179901	HEAT SHIELD	X	X	X	X	X
15	988760-005	MOTOR COMPLETE	X	X	X	X	X
16	988752-005	SERIES MOTOR MODULE	X	X	X	X	X
17	988768-002	LIGHT RECEPTACLE HARNESS (SUPPRESSED) COMPLETE	X	X	X	X	X
18	605600-001	TY RAP	X	X	X	X	X
19	988760-002	COMMUTATOR ^{E.C.D} AND COVER	X	X	X	X	X
20	411837-001	CONTROLLER	X	X	X	X	X
21	603907-001	MOTOR MODULE NUT	X	X	X	X	X
22	988761-001	MOTOR PULLEY	X	X	X	X	X
23	988763-P02	SWITCH WITH CONNECTOR AND CONTACT LEADS	X	X	X	X	X
24	113370-451	MOTOR MOUNTING PPLATE SCREW	X	X	X	X	X
25	446476	MOTOR MOUNTING PLATE	X	X	X	X	X
26	353355	MOTOR MOUNTING PLATE GROMMET	X	X	X	X	X
27	446479	MOTOR MOUNTING PLATE ASSEMBLY	X	X	X	X	X
28	353402-451	MOTOR MOUNTING SCREW LOCK NUT	X	X	X	X	X
29	445539	MOTOR MOUNTING SCREW LOCK NUT WASHER	X	X	X	X	X
30	179887	MOTOR BELT SCREW NUT	X	X	X	X	X
31	113343-451	MOTOR BELT SCREW	X	X	X	X	X
32	988887-001	MOTOR BELT SCREW CAP	X	X	X	X	X
33	353518-001	MOTOR BELT	X	X	X	X	X