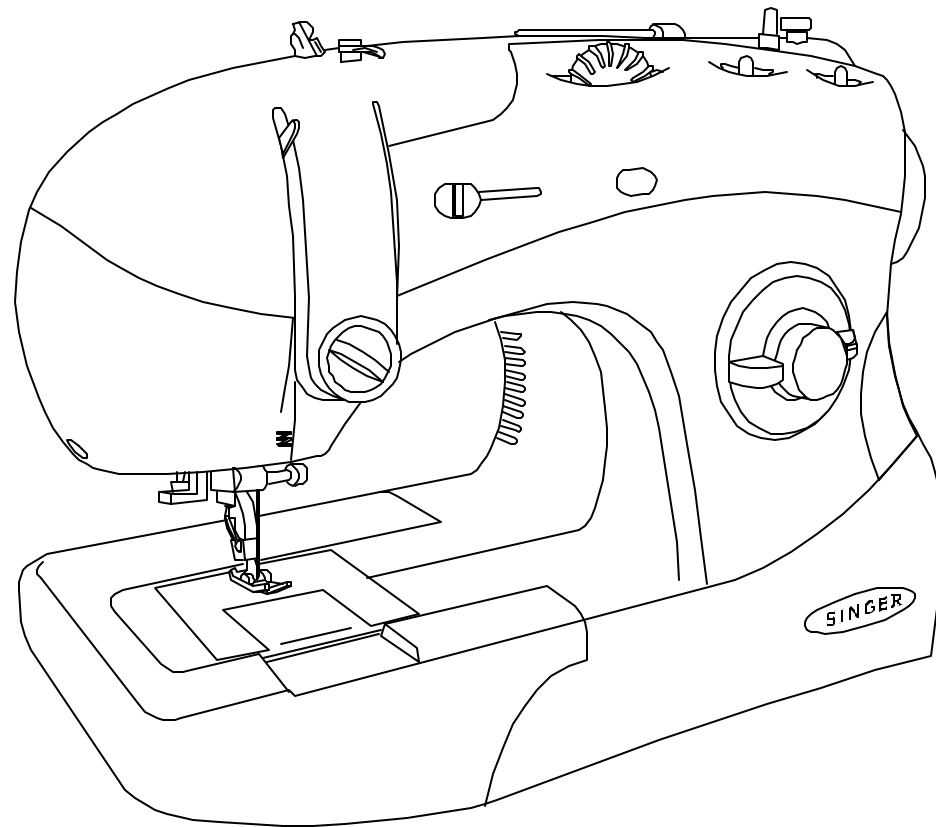


PARTS LIST SEWING MACHINE

SINGER®

5160



THE SINGER COMPANY
© 2004 SINGER DO BRASIL
ALL RIGHTS RESERVED

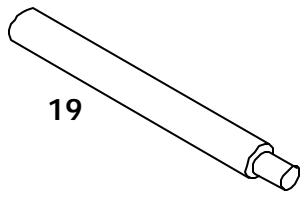
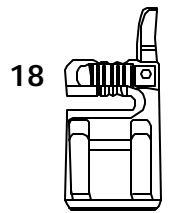
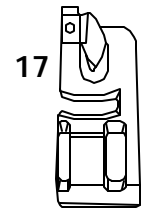
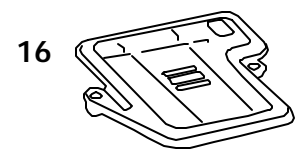
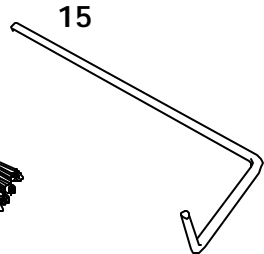
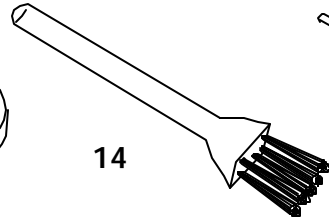
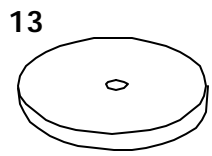
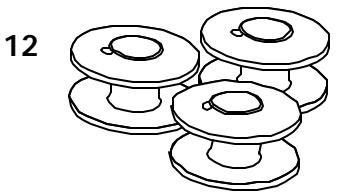
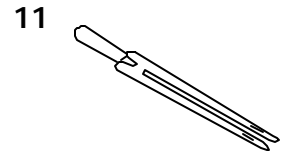
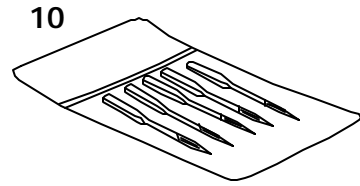
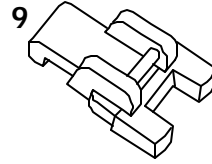
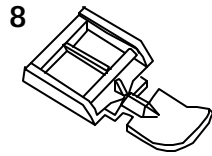
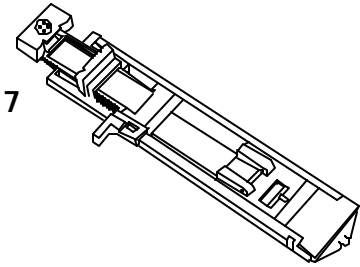
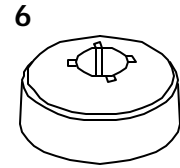
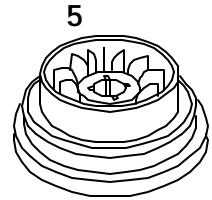
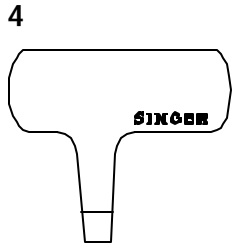
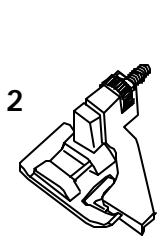
PRINTED IN BRAZIL
P/N 358420-001
2004

INDEX

PAGE NBR.	SUB-ASSEMBLY
01 - 02	ATTACHMENT SET
03 - 04	OPTIONAL ACCESSORIES (OVER-THE-COUNTER)
05 - 06	ARM, BED, THROAT PLATE & BOBBIN VISOR
07 - 08	COVERS
09 - 10	OTHERS COVERS
11 - 12	NEEDLE BAR
13 - 14	PRESSER BAR
15 - 16	ARM SHAFT DRIVE
17 - 18	HAND WEEL
19 - 20	TENSION MECHANISM
21 - 22	HOOK SYSTEM
23 - 24	BIGHT AMPLITUDE
25 - 26	NEEDLE POSITION
27 - 28	PATTERN SELECTOR
29 - 30	CAM STACK
31 - 33	BUTTONHOLER & FEED REGULATOR CAM
34 - 35	CAM CONTROLLED FEED
36 - 38	FEED SYSTEM
39 - 41	ELECTRICAL EQUIPMENT

1

ATTACHMENT SET

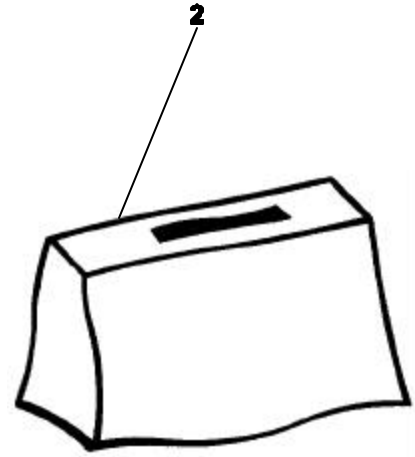
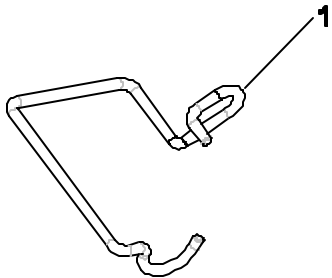


REV.: _____
DATE: _____

ATTACHMENT SET

REF.	PART NBR.	DESCRIPTION
1	358190000	ATTACHMENT SET COMPLETE
2	357990901	BLIND HEM PRESSER FOOT
3	358129001	SINGER OIL
4	357306000	SCREWDRIVER
5	507664467	SPOOL PIN HOLDER (LARGE)
6	179967461	SPOOL PIN HOLDER (SMALL)
7	358120900	BUTTONHOLE PRESSER FOOT
8	357992900	ZIPPER FOOT
9	357991900	BUTTON SEWING PRESSER FOOT
10	353364000	NEEDLE PACK
11	531868000	TWIN NEEDLE
12	172336000BUY	BOBBIN (3 UNITS)
13	8879656	FELT FOR SPOOL PIN
14	546358000	LINT BRUSH FOR CLEANING
15	357993900	FABRIC GUIDE
16	313117000BUY	FEED COVER PLATE
17	358364900	ROLLED HEM
18	358365900	CORDING FOOT
19	356942453	SPOOL PIN

OPTIONAL ACCESSORIES

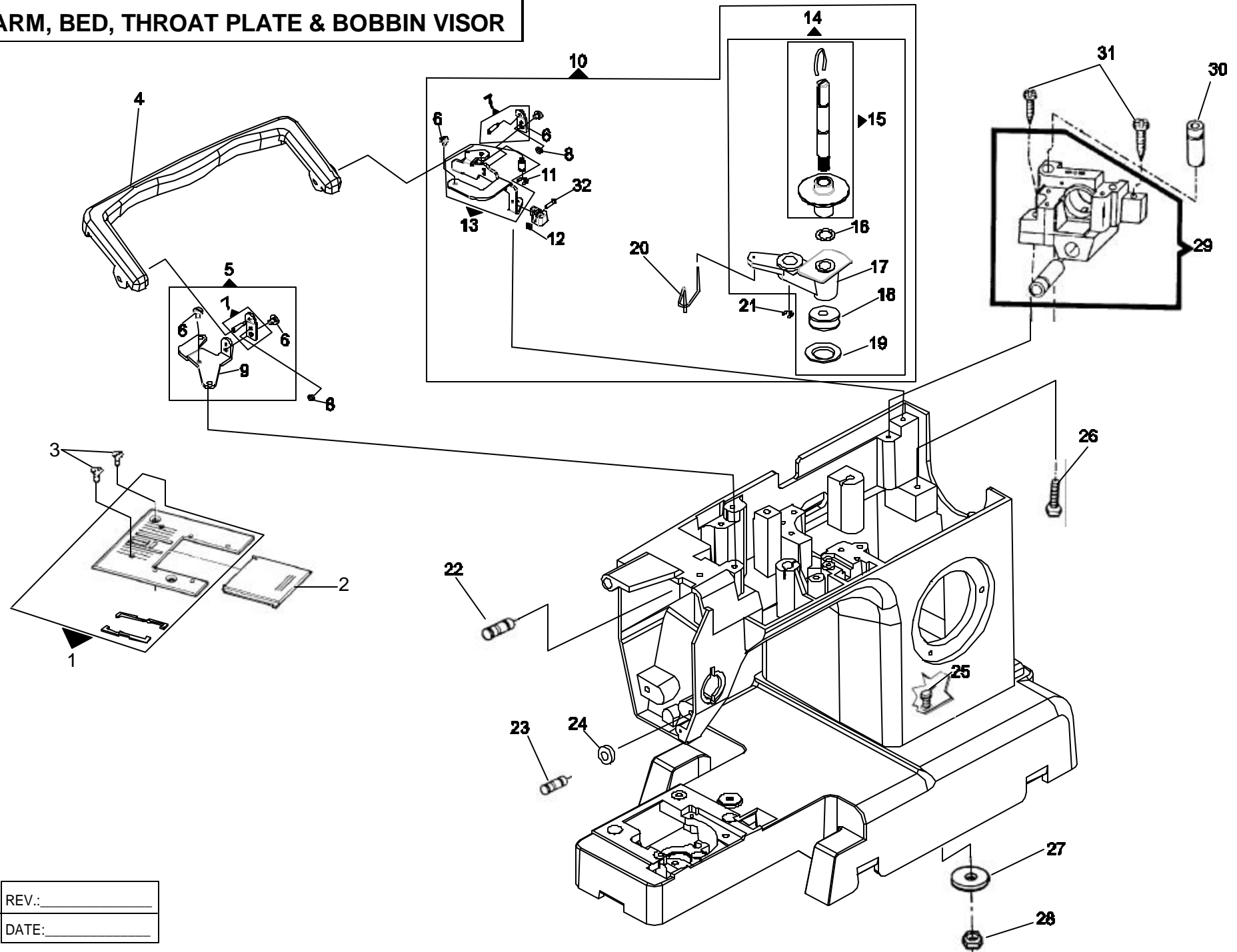


REV.: _____
DATE: _____

OPTIONAL ACESSORIES

REF.	PART NBR.	DESCRIPTION
1	358078-900	FINGER GUARD
2	357792-452	SOFT VINYL COVER WITH SINGER LOGO

ARM, BED, THROAT PLATE & BOBBIN VISOR

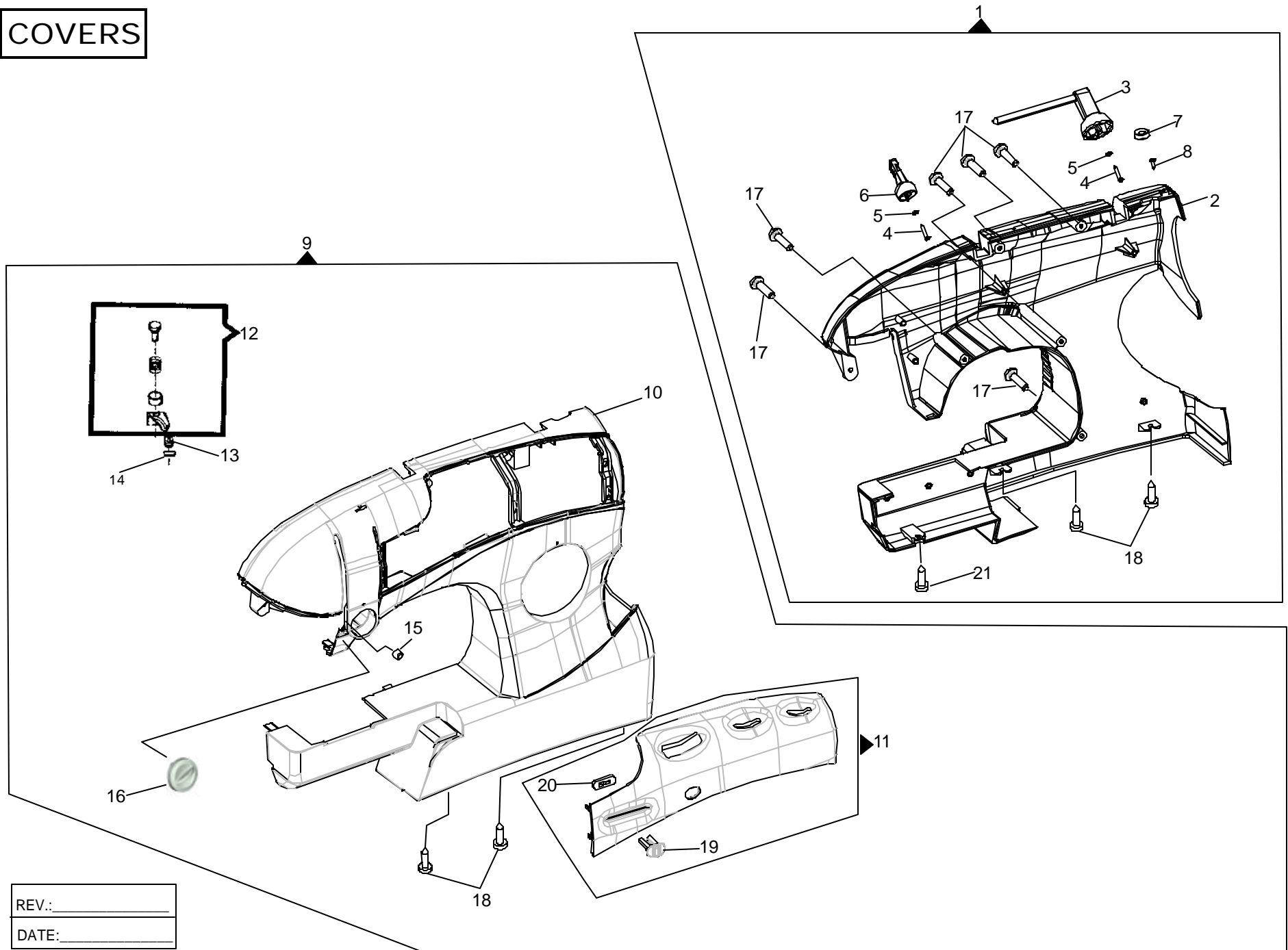


REV.: _____
DATE: _____

ARM, BED, THROAD PLATE & BOBBIN VISOR

REF.	PART NBR.	DESCRIPTION
1	357745-001	THROAT PLATE FOR ZIG-ZAG
2	357191-001	ROTATING HOOK BOBBIN VISOR
3	358138-451	THROAT PLATE SET SCREW
4	357974-900	MACHINE HANDLE
5	357996-000	MACHINE HANDLE MOUNTING BRACKET COMPLETE (LEFT)
6	113424-451	ARM TOP COVER HANDLE SUPPORT PROLONGER SET SCREW
7	357995-000	ARM TOP COVER HANDLE SUPPORT PROLONGER ASSEMBLY
8	446138-000	SPOOL PIN SCREW WASHER
9	357714-000	MACHINE HANDLE MOUNTING BRACKET (LEFT)
10	358000-000	MACHINE HANDLE MOUNTING BRACKET COMPLETE (RIGHT)
11	445486-000	BOBBIN WINDER RETAINING RING
12	514698-451	CONNECTING STOP SCREW NUT
13	357999-000	MACHINE HANDLE MOUNTING BRACKET ASS'Y (RIGHT)
14	357998-000	BOBBIN WINDER ASSEMBLY
15	357997-000	BOBBIN WINDER SPINDLE COMPLETE
16	931744-103	BOBBIN WINDER SPINDLE WASHER
17	357082-452	BOBBIN WINDER FRAME
18	44440-001	BOBBIN WINDER PULLEY
19	15287-01	BOBBIN WINDER FRICTION RING (RUBGER)
20	531766-000	BOBBIN WINDER HINGE STUD SPRING
21	445486-000	BOBBIN WINDER RETAINING RING
22	446375-000	THREAD TAKE-UP LEVER LINK HINGE STUD
23	357438-001	TENSION RELEASING LEVER HINGE PIN
24	357464-002	TENSION RELEASING LEVER HINGE PIN WASHER
25	355250-451	BED (BOTTON) COVER & CABINET BOLT
26	357020-451	ARM SHAFT (REAR) HOUSING MOUNTING BOLT
27	353375-451	BED (BOTTON) COVER & CABINET BOLT WASHER
28	514608-000	BED (BOTTON) COVER & CABINET BOLT NUT
29	357017-002	ARM SHAFT (REAR) HOUSING ASSEMBLY
30	357019-000	ARM TOP COVER SUPPORT STUD
31	113455-006	ARM SHAFT (REAR) HOUSING MOUNTING SCREW
32	357956-451	CONNECTING STOP SCREW

COVERS

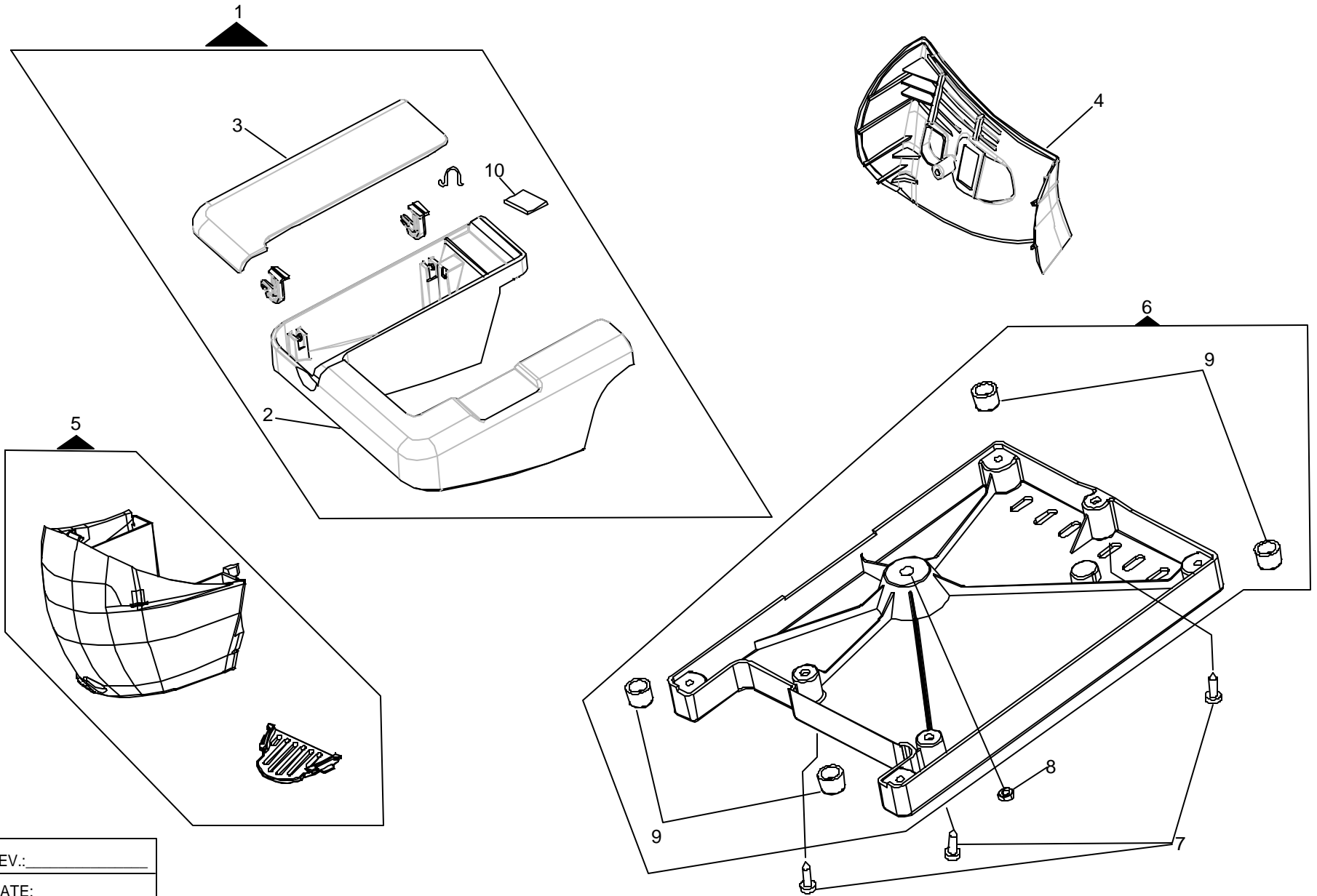


REV.: _____
DATE: _____

COVERS

REF.	PART NBR.	DESCRIPTION
1	358058-001	REAR COVER COMPLETE
2	357961-900	REAR COVER WITH GRAPHICS
3	357704-900	SPOOL PIN
4	356116-451	SPOOL PIN SCREW
5	446138-000	SPOOL PIN SCREW WASHER
6	357705-900	THREAD GUIDE
7	357718-900	BOBBIN WINDER STOP
8	113375-452	BOBBIN WINDER STOP SCREW
9	358055-001	FRONT COVER COMPLETE
10	358056-001	FRONT COVER WITH GRAPHICS
11	358057-001	CONTROL PANEL COMPLETE
12	356047-000	BOBBIN WINDER TENSION COMPLETE
13	141936-833	BOBBIN WINDER TENSION BRACKET ADJUSTING SCREW
14	44794-000	BOBBIN WINDER TENSION BRACKET ADJUSTING SCREW RETAINING CLIP
15	356127-000	RETAINING RING
16	357734-004	TENSION MECHANISM DIAL WITH GRAPHICS
17	355263-451	REAR COVER MOUNTING SCREW
18	113455-001	REAR COVER SCREW
19	357944-900	BIGHT AMPLITUDE CONTROL LEVER KNOB
20	357979-900	BIGHT AMPLITUDE CONTROL LEVER KNOB RETAINING
21	354895-453	REAR COVER SCREW

OTHERS COVERS

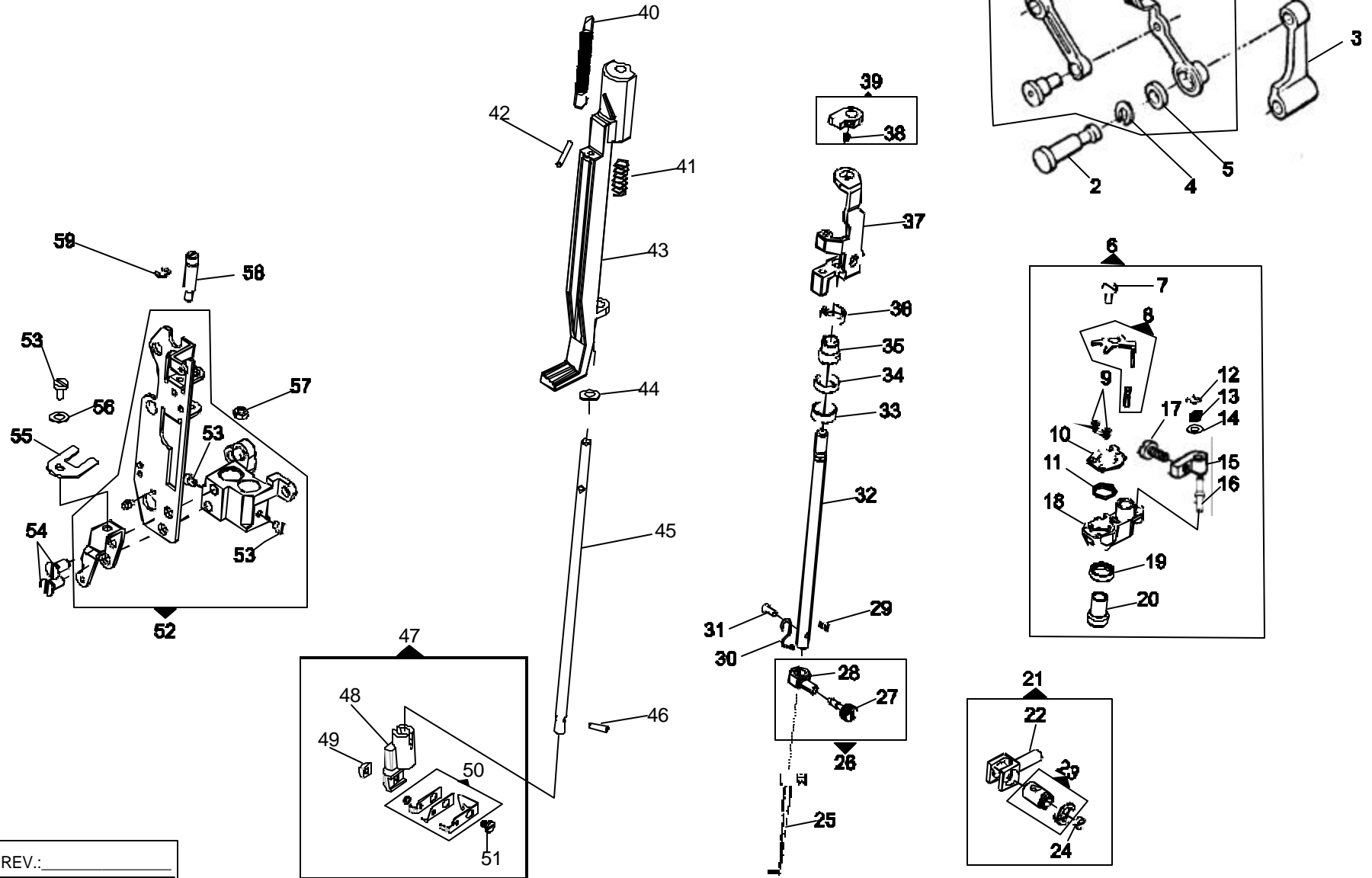


REV.: _____
DATE: _____

OTHERS COVERS

REF.	PART NBR.	DESCRIPTION
1	358062-001	BED EXTENSION COMPLETE
2	357967-900	BED EXTENSION PLATE
3	358067-001	ACCESSORIES BOX COVER ASSEMBLY
4	357964-900	ARM END COVER MOLDED
5	358093-000	FACE PLATE COMPLETE
6	357782-900	BED (BOTTOM) COVER PLASTIC WITH BED CUSHION
7	113455-001	BED (BOTTOM) COVER FASTENING SCREW
8	514608-000	BED (BOTTOM) COVER FASTENING SCREW NUT
9	357797-451	BED CUSHION
10	358082-451	ACCESSORIES BOX ADHESIVE

NEEDLE BAR, PRESSER BAR & AUTOMATIC
NEEDLE THREADER HOUSING



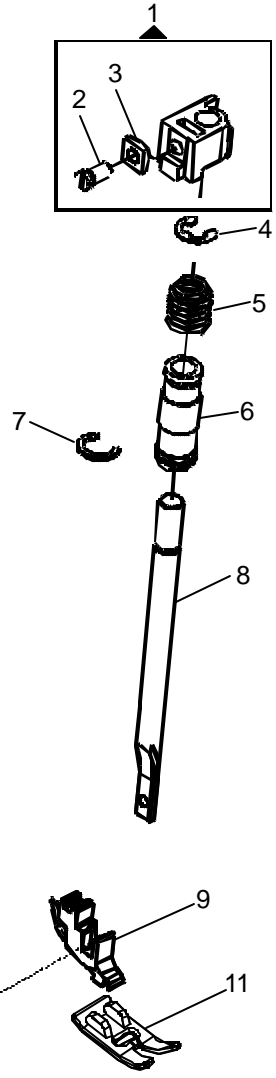
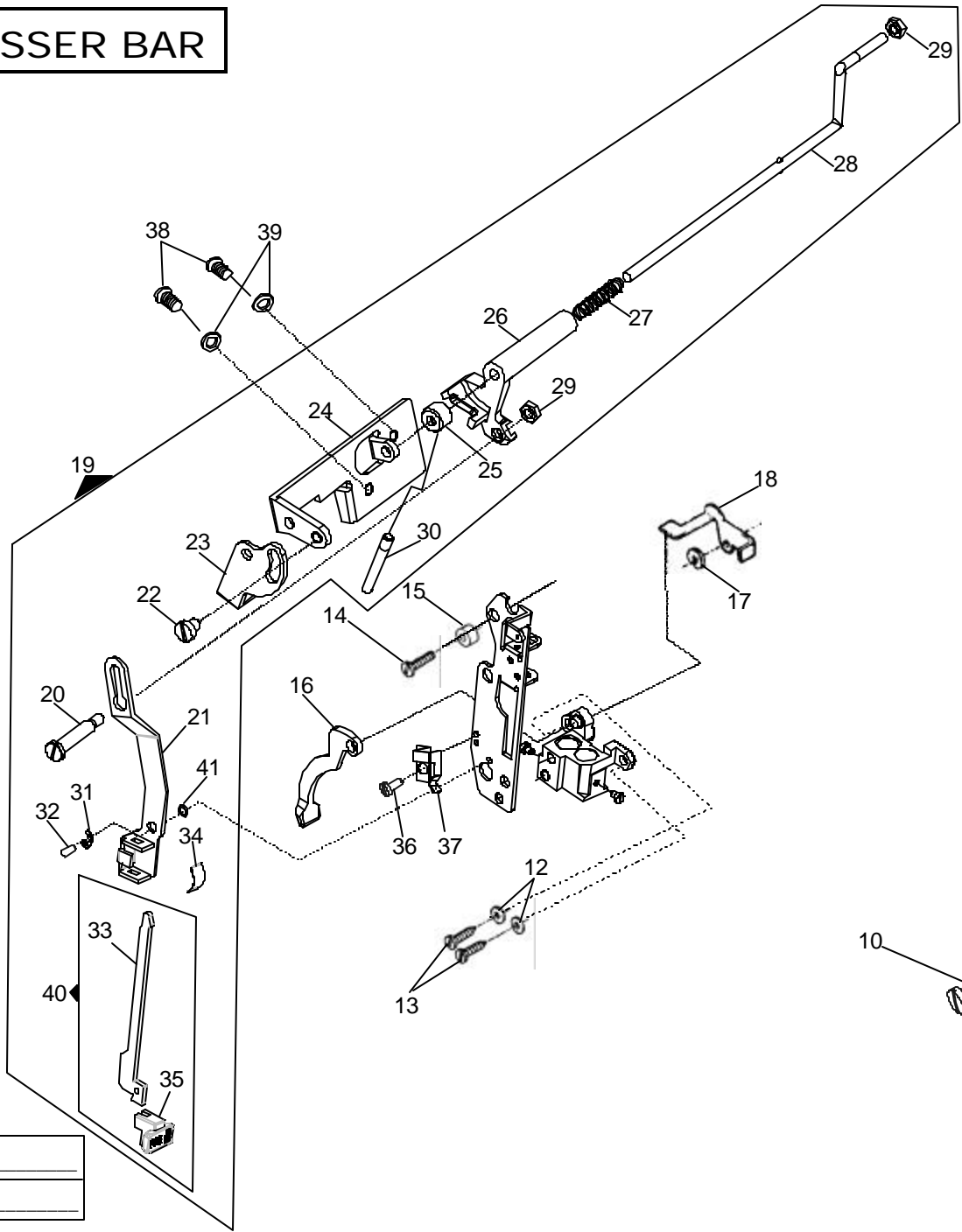
REV.: _____
DATE: _____

NEEDLE BAR, PRESSER BAR & THREAD TAKE-UP

REF.	PART NBR.	DESCRIPTION
1	445672-000	THREAD TAKE-UP LEVER COMPLETE
2	357788-000	THREAD TAKE-UP STUD
3	446357-000	NEEDLE BAR CONNECTING LINK
4	445486-000	THREAD TAKE-UP STUD RETAINING RING
5	543531-000	THREAD TAKE-UP STUD THRUST WASHER
6	358049-001	NEEDLE BAR VIBRATING BRACKET COMPLETE
7	354826-451	NEEDLE BAR DRIVING ARM HINGE BRACKET SCREW
8	358050-000	NEEDLE LIMITER STOP SUPPORT ASSEMBLY
9	357925-900	VIBRATING BRACKET COVER SCREW
10	357871-900	VIBRATING BRACKET COVER
11	357911-900	VIBRATING BRACKET COVER SPRING
12	179926-451	NEEDLE BAR DRIVING ARM HINGE BRACKET HINGE SPRING RETAINING RING
13	357504-000	NEEDLE BAR DRIVING ARM HINGE BRACKET HINGE PIN SPRING
14	446138-000	NEEDLE BAR DRIVING ARM HINGE BRACKET HINGE SPRING WASHER
15	357503-000	NEEDLE BAR DRIVING ARM HINGE BRACKET
16	357502-001	NEEDLE BAR DRIVING ARM HINGE BRACKET HINGE PIN
17	355272-451	NEEDLE BAR DRIVING ARM HINGE BRACKET SCREW
18	353521-000	NEEDLE BAR DRIVING ARM HINGE BRACKET
19	357615-000	NEEDLE BAR BALL BUSHING UPPER SOCKET
20	357897-900	NEEDLE BAR BALL BUSHING UPPER
21	353549-940	NEEDLE BAR CONNECTING STUD
22	358051-000	NEEDLE BAR CONNECTING STUD WITH HINGE PIN
23	358052-000	NEEDLE BAR CONNECTING STUD HINGE PIN ASSEMBLY
24	141916-833	NEEDLE BAR CLAMPING SCREW
25	204514-100	NEEDLE 2045 –SIZE NBR.14
26	357430-001	NEEDLE CLAMP BODY WITH SCREW
27	355248-451	NEEDLE THUMB SCREW
28	357429-001	NEEDLE CLAMP BODY
29	37943-000	NEEDLE BAR GIB
30	357421-001	NEEDLE CLAMP THREAD GUIDE

31	141920-455	NEEDLE CLAMP BODY, N.C.T. GUIDE & N. STOP SCREW
32	357866-900	NEEDLE BAR
33	446361-001	NEEDLE BAR BALL BUSHING (LOWER) ADJUSTING COLLAR
34	357981-900	NEEDLE BAR BALL BUSHING SOCKET
35	357899-901	NEEDLE BAR BALL BUSHING (LOWER) MACHINED
36	357898-901	NEEDLE BAR BUSHING LOWER SOCKET
37	357870-900	NEEDLE THREADER MECHANISM SUPPORT
38	357921-900	NEEDLE THREADER STOP SCREW
39	358053-000	NEEDLE THREADER STOP ASSEMBLY
40	357913-900	NEEDLE THREADER ACTUATING SUPPORT SPRING
41	357912-900	NEEDLE THREADER ACTUATING CAM SPRING
42	357869-900	NEEDLE THREADER ACTUATING SPRING
43	357872-900	NEEDLE THREADER ACTUATING SUPPORT
44	357920-900	RUBBER RING
45	357865-900	NEEDLE THREADER SHAFT
46	358047-000	NEEDLE THREADER SHAFT ASSEMBLY
47	358071-000	NEEDLE THREADER ASSEMBLY SUPPORT COMPLETE
48	357873-900	NEEDLE THREADER ASSEMBLY SUPPORT COMPLETE
49	357923-900	NEEDLE THREADER SET SCREW NUT
50	358070-000	NEEDLE THREADER HOOK ASSEMBLY
51	357922-900	NEEDLE THREADER SET SCREW
52	358043-000	NEEDLE BAR & PRESSER BAR HOUSING COMPLETE
53	354592-451	NEEDLE BAR BALL BUSHING (LOWER) COLLAR SET SCREW
54	113480-451	NEEDLE BAR & PRESSER BAR HOUSING PLATE MOUNTING SCREW
55	354592-451	NEEDLE THREADER SUPPORT GUIDE PLATE
56	358162-000	NEEDLE THREADER S. GUIDE PLATE SCREW WASHER
57	3357093-451	NEEDLE BAR VIBRATING BRACKET HINGE PIN NUT
58	446359-000	NEEDLE BAR VIBRATING BRACKET HINGE PIN
59	445721-000	NEEDLE BAR VIBRATING BRACKET HINGE PIN RETAINING RING

PRESSER BAR



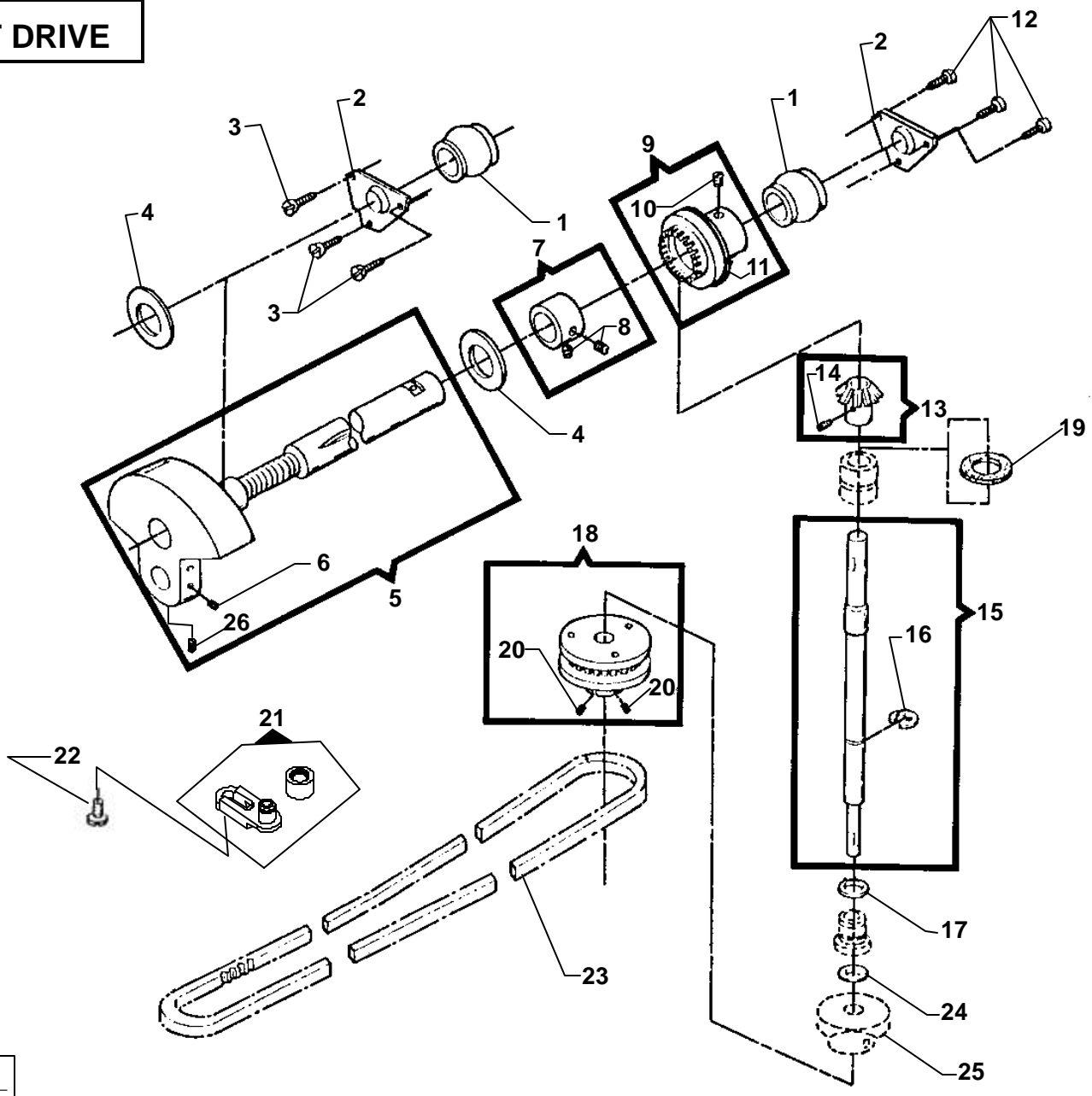
REV.: _____
DATE: _____

PRESSER BAR

REF.	PART NBR.	DESCRIPTION
1	357363-000	PRESSER BAR GUIDE BRACKET ASSEMBLY
2	355279-451	PRESSER BAR GUIDE BRACKET SET SCREW
3	353367-451	PRESSER BAR GUIDE BRACKET NUT
4	353215-000	PRESSER BAR SPRING RETAINING RING (UPPER)
5	357362-000	PRESSER BAR SPRING
6	445947-001	PRESSER BAR BUSHING
7	357604-000	PRESSER BAR BUSHING LOCATING SPRING
8	357602-000	PRESSER BAR
9	357986-900	PRESSER FOOT SHANK
10	504063-451	PRESSER FOOT SHANK SCREW
11	357988-000	PRESSER FOOT (GENERAL PURPOSE)
12	353375-451	NEEDLE BAR, PRESSER BAR & VIBRATING BRACKET HOUSING MOUNTING SCREW (LOWER) WASHER
13	113434-451	NEEDLE BAR, PRESSER BAR & VIBRATING BRACKET HOUSING MOUNTING SCREW (LOWER)
14	113455-009	NEEDLE BAR, PRESSER BAR & VIBRATING BRACKET HOUSING MOUNTING SCREW (UPPER)
15	531627-000	NEEDLE BAR, PRESSER BAR & VIBRATING BRACKET HOUSING MOUNTING BUSHING
16	356170-451	PRESSER BAR LIFTER
17	445486-000	TENSION RELEASING LEVER RETAINING RING
18	445925-000	TENSION RELEASING LEVER
19	358040-000	ACTUATING ARM SHAFT GUIDE SUPPORT COMPLETE
20	357860-900	BUTTONHOLER ACTUATING LEVER POSITIONING CAM PIN
21	357819-900	BUTTONHOLER ACTUATING ARM
22	141913-451	ACTUATING CAM ADJUSTING SUPPORT SCREW
23	357883-900	POSITIONING CAM ADJUSTING BRACKET
24	357884-900	ACTUATING ARM SHAFT GUIDE SUPPORT
25	357852-900	POSITIONING CAM COLLAR
26	357839-900	BUTTONHOLER ACTUATING LEVER POSITIONER CAM
27	357906-900	ACTUATING ARM SHAFT SPRING
28	357917-900	ACTUATING ARM SHAFT
29	357932-900	BUTTONHOLER ACTUATING LEVER POSITIONING CAM PIN NUT
30	357851-900	POSITIONING CAM ACTUATING SCREW

- 31 408030-000 BUTTONHOLER ACTUATING ARM RETAINING RING
- 32 357850-900 ACTUATING ARM SUPPORT ARTICULATING PIN
- 33 357823-900 BUTTONHOLE ACTUATING LEVER
- 34 357905-900 BUTTONHOLER ACTUATING LEVER SPRING
- 35 357838-900 BUTTONHOLER ACTUATING LEVER BUTTON
- 36 141913-451 BUTTONHOLE ACTUATING LEVER STOP SPRING SCREW
- 37 357820-900 BUTTONHOLE ACTUATING LEVER STOP SPRING
- 38 357824-900 HEAT SHIELD
- 39 445539-000 WASHER
- 40 358039-000 BUTTONHOLER ACTUATING LEVER ASSEMBLY
- 41 179898-001 BUTTONHOLER ACTUATING ARM WASHER

ARM SHAFT DRIVE

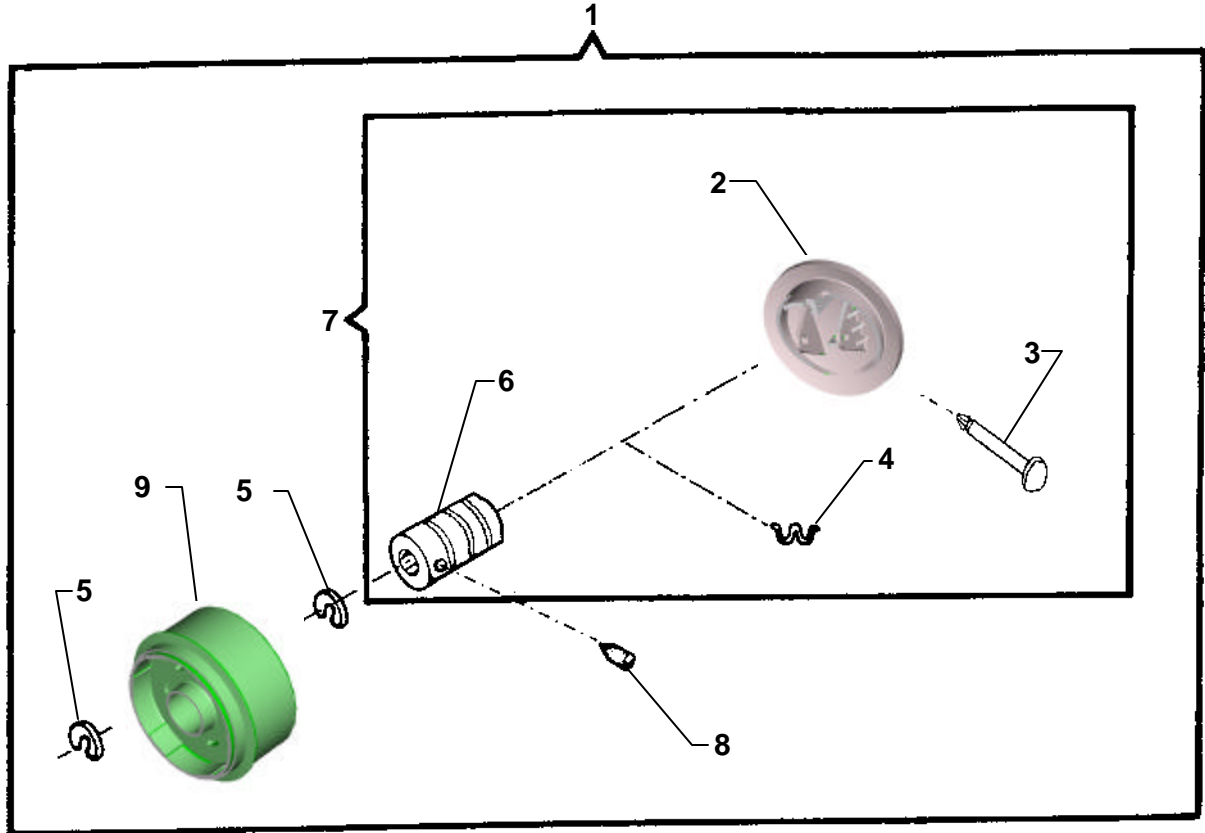


REV.: _____
DATE: _____

ARM SHAFT DRIVE

REF.	PART NBR.	DESCRIPTION
1	446384	ARM SHAFT BUSHING (FRONT)
2	446385	ARM SHAFT BUSHING (FRONT) RETAINING BRACKET
3	113455-001	ARM SHAFT BUSHING (FRONT) RETAINING BRACKET SCREW
4	319764	ARM SHAFT (HORIZONTAL) RETAINING COLLAR WASHER
5	531684	ARM SHAFT COMPLETE
6	354105-833	ARM SHAFT (HORIZONTAL) RETAINING COLLAR SET SCREW
7	353580	ARM SHAFT (HORIZONTAL) BEVEL GEAR & FEED LIFTING
8	113500-451	ARM SHAFT (HORIZONTAL) BEVEL GEAR & FEED LIFTING
9	353272	ECCENTRIC SET SCREW
10	354813-451	ARM SHAFT (HORIZONTAL) BEVEL GEAR & FEED LIFTING
11	353413	ECCENTRIC WASHER (PLASTIC)
12	113455-001	ARM SHAFT BUSHING (REAR) RETAINING BRACKET SCREW
13	353273-002	ARM SHAFT (UPRIGHT) BEVEL GEAR (PLASTIC)
14	354105-833	ARM SHAFT (UPRIGHT) BEVEL GEAR SET SCREW
15	179952-002	ARM SHAFT (UPRIGHT) ASSEMBLY
16	353215	ARM SHAFT (UPRIGHT) RETAINING RING
17	353394	ARM SHAFT (UPRIGHT) RETAINING RING WASHER
18	353438-001	ARM SHAFT (UPRIGHT) BELT DRIVE PULLEY ASSEMBLY COMPLETE
19	356819	ARM SHAFT (UPRIGHT) FELT WASHER
20	354906-451	ARM SHAFT (UPRIGHT) BELT DRIVE PULLEY RETAINING COLLAR
21	358081-001	ROTATING HOOK DRIVE BELT TENSION ADJUSTER
22	113453-003	ROTATING HOOK DRIVE BELT TENSIONER SCREW
23	446237	BELT (ROTATING HOOK DRIVE)
24	319826	ARM SHAFT (UPRIGHT) BELT DRIVE PULLEY WASHER
25	446228-000	FEED LIFTING CAME COMPLETE
26	141916-833	THREAD TAKE- UP SET SCREW

HAND WHEEL

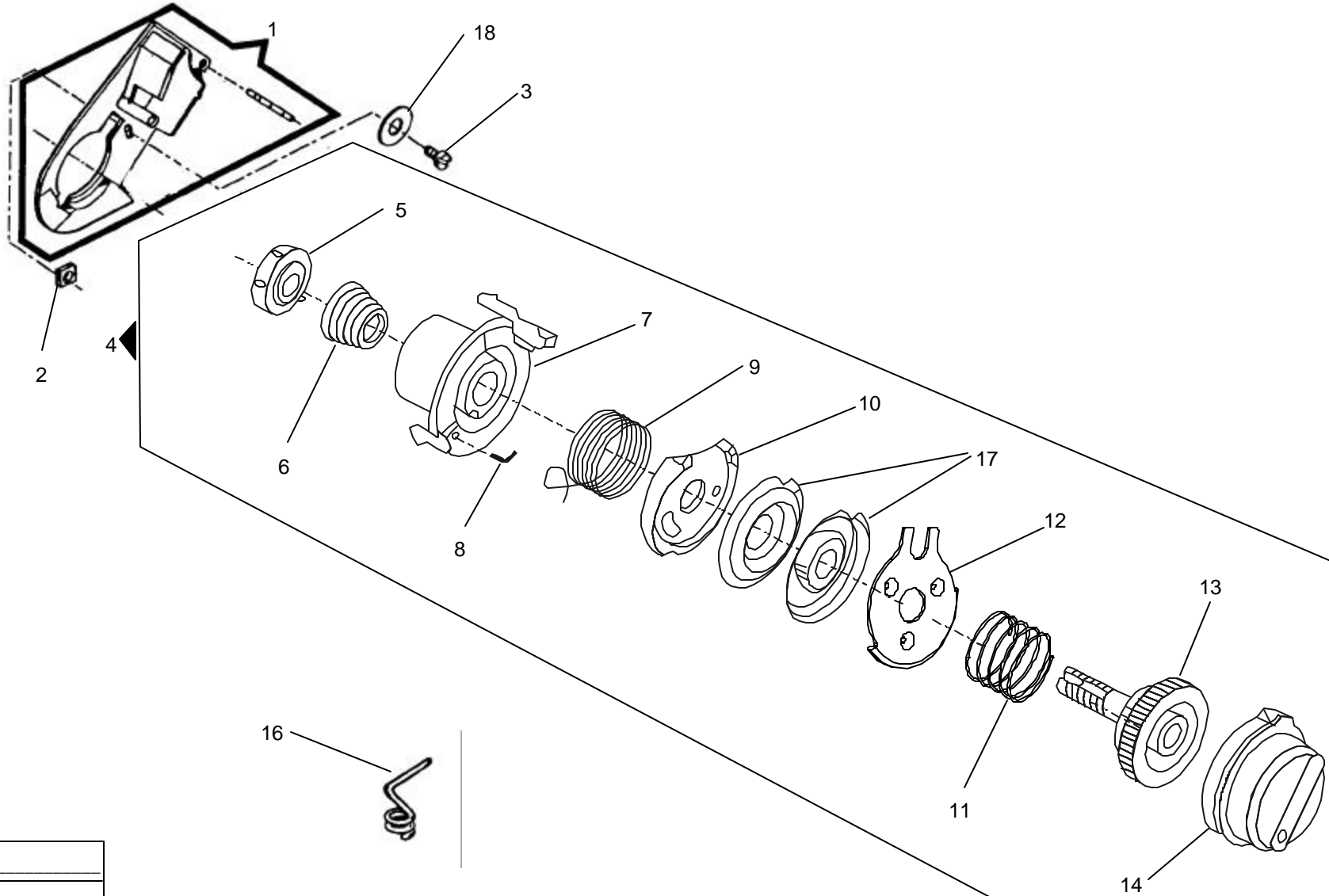


REV.:	_____
DATE:	_____

HAND WHEEL

REF.	PAR NBR.	DESCRIPTION
1	357737-001	HAND WHEEL COMPLETE
2	357708-900	HAND WHEEL DISENGAGING CLUTCH ENGAGING PLATE COVER
3	357364-000	HAND WHEEL DISENGAGING CLUTCH ENGAGING PLATE HINGE PIN
4	357365-000	HAND WHEEL DISENGAGING CLUTCH ACTUATING SPRING
5	446387-000	HAND WHEEL RETAINING RING (TREADLE/ELECTRIC)
6	357359-000	HAND WHEEL DISENGAGING CLUTCH BUSHING
7	357744-001	HAND WHEEL DISENGAGING CLUTCH BUSHING COMPLETE
8	354813-451	HAND WHEEL DISENGAGING CLUTCH BUSHING SCREW
9	357709-900	HAND WHEEL (PLASTIC)

TENSION MECHANISM

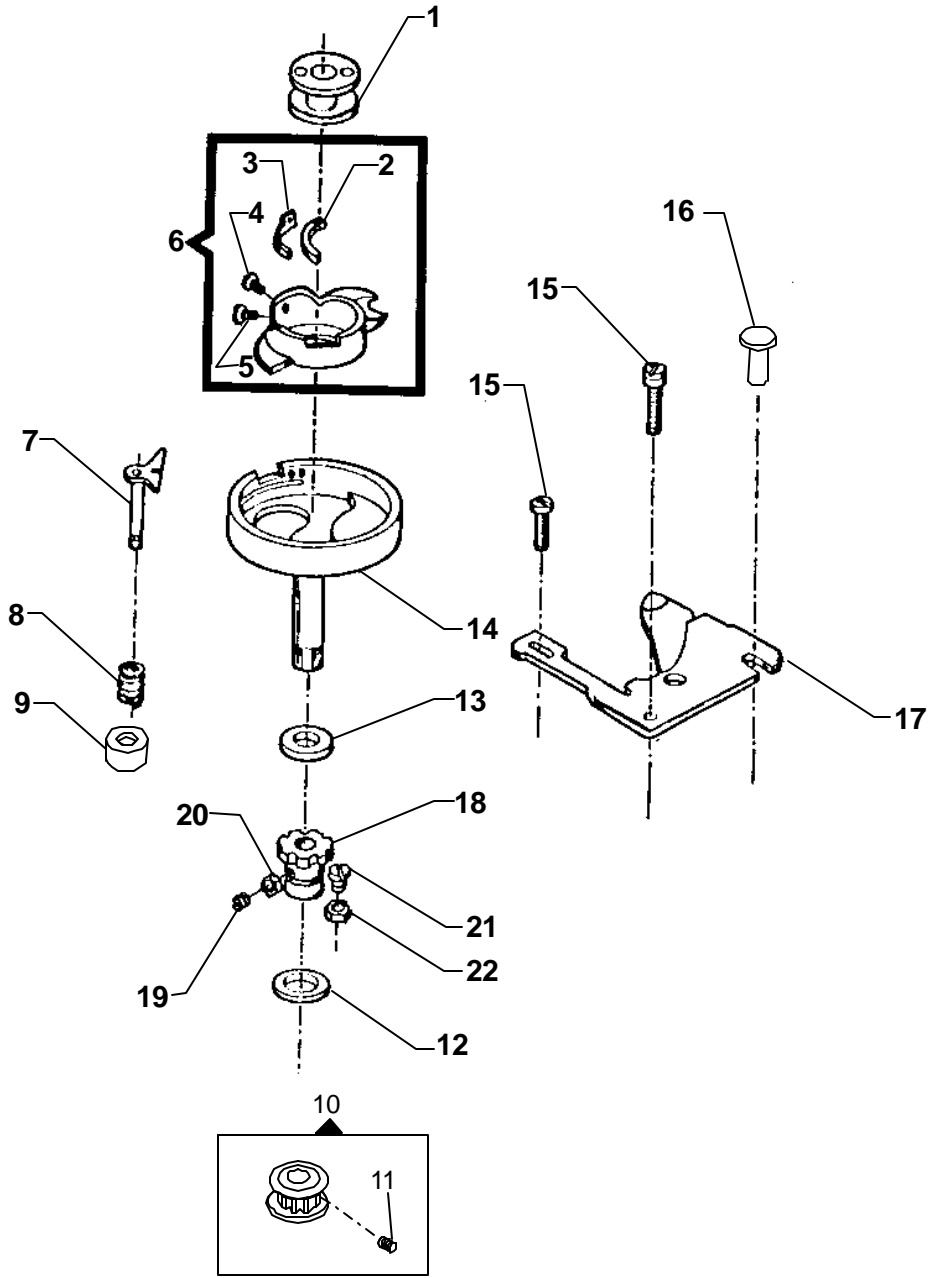


REV.:	_____
DATE:	_____

TENSION MECHANISM

REF.	PART NBR.	DESCRIPTION
1	357748-001	TENSION MECHANISM SHROUDER ASSEMBLY
2	514698-451	TENSION MECHANISM SHROUDER SCREW NUT
3	141808-457	TENSION MECHANISM SHROUDER SCREW
4	356088-457	TENSION MECHANISM ASSEMBLY
5	356095-000	TENSION STUD NUT
6	356096-000	TENSION SPRING
7	356089-000	TENSION MECHANISM SUPPORT
8	356246-900	TENSION MECHANISM SUPPORT PIN
9	356097-000	THREAD TAKE-UP SPRING
10	356091-000	THREAD TAKE-UP SPRING THREAD GUARD
11	358123-900	TENSION DISC PRESSURE PLATE SPRING
12	358124-900	TENSION DISC PRESSURE PLATE
13	356092-451	TENSION INDICATOR WITH STUD
14	357734-004	TENSION INDICATOR DIAL
15	356245-000	TENSION MECHANISM SUPORT ASSEMBLY
16	445784-000	THREAD GUIDE (LOWER)
17	356094-000	TENSION DISC
18	356443-000	TENSION MECHANISM SHROUDER WASHER

HOOK SYSTEM

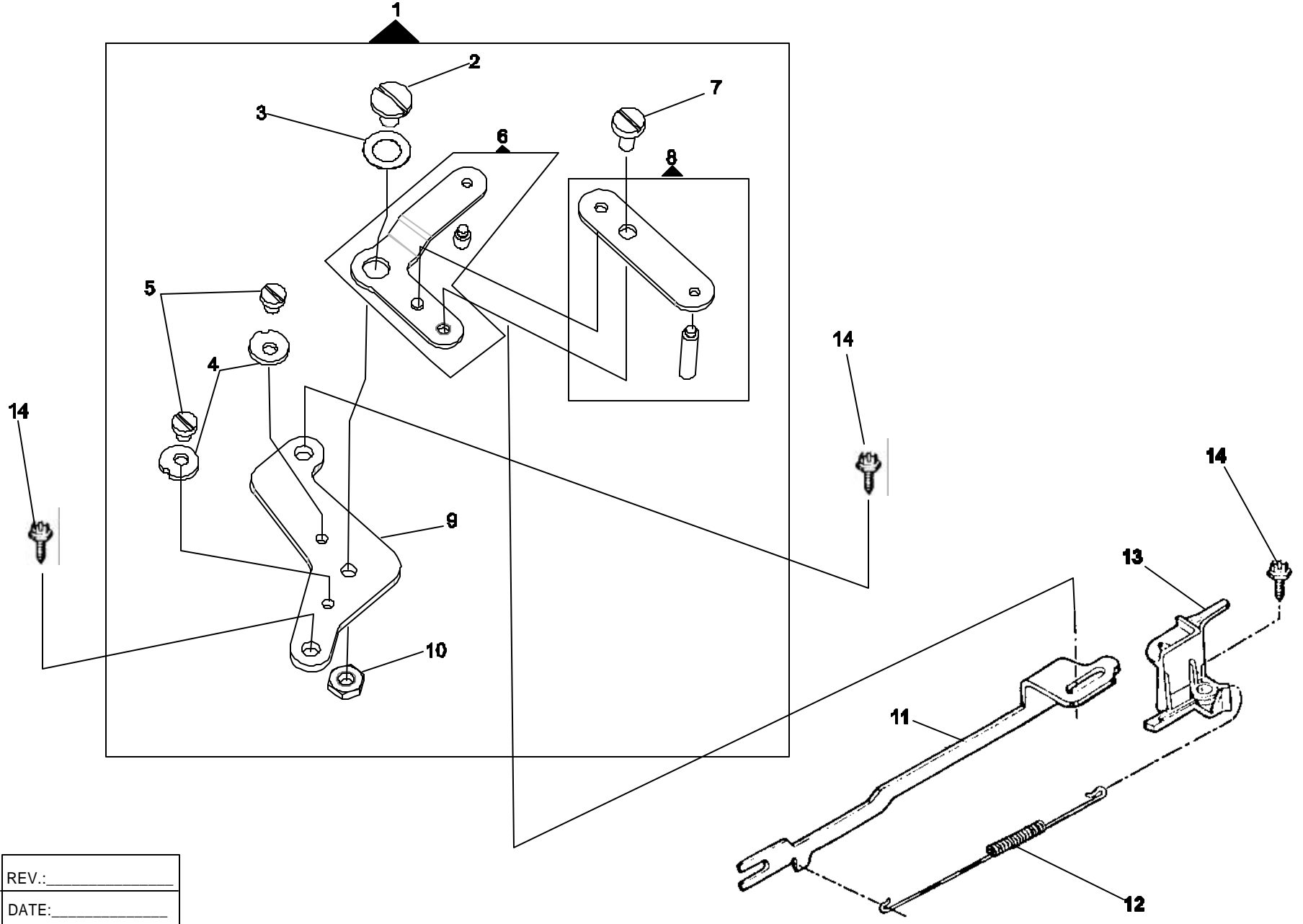


REV.: _____
DATE: _____

HOOK SYSTEM

REF.	PART NBR.	DESCRIPTION
1	172336-000	ROTATING HOOK BOBBIN (PLASTIC)
2	356490-451	ROTATING HOOK BOBBIN CASE TENSION SPRING SEGMENT
3	314715-000	ROTATING HOOK BOBBIN CASE TENSION SPRING
4	355254-451	ROTATING HOOK BOBBIN CASE TENSION REGULATING SCREW
5	139975-452	ROTATING HOOK BOBBIN CASE TENSION SPRING SEG.SCREW
6	421325-000	ROTATING HOOK BOBBIN CASE
7	358021-000	ROTATING HOOK BOBBIN CASE RETAINING PLATE ASSEMBLY
8	358018-900	BOBBIN CASE RETAINING SPRING
9	358019-900	BOBBIN CASE RETAINING RING
10	446235-000	ROTATING HOOK BELT DRIVE PULLEY
11	141803-451	ROTATING HOOK BELT DRIVE PULLEY SCREW
12	382861-906	ROTATING HOOK BELT DRIVE PULLEY WASHER
13	353453-000	ROTATING HOOK WEAR WASHER
14	353366-000	ROTATING HOOK COMPLETE
15	354917-451	ROTATING HOOK BOBBIN CASE POSITION PLATE SCREW
16	357349-451	ROTATING HOOK BOBBIN CASE RETAINING PLATE (ADJUSTABLE & POSITION PLATE) STUD
17	44873-001	ROTATING HOOK BOBBIN CASE POSITION PLATE
18	353410-900	ROTATING HOOK BUSHING
19	141938-833	ROTATING HOOK BUSHING SET SCREW
20	353367-451	ROTATING HOOK BUSHING SET SCREW NUT
21	141844-451	ROTATING HOOK BUSHING ADJUSTING SCREW
22	618638-005	ROTATING HOOK BUSHING ADJUSTING SCREW NUT

BIGHT AMPLITUDE

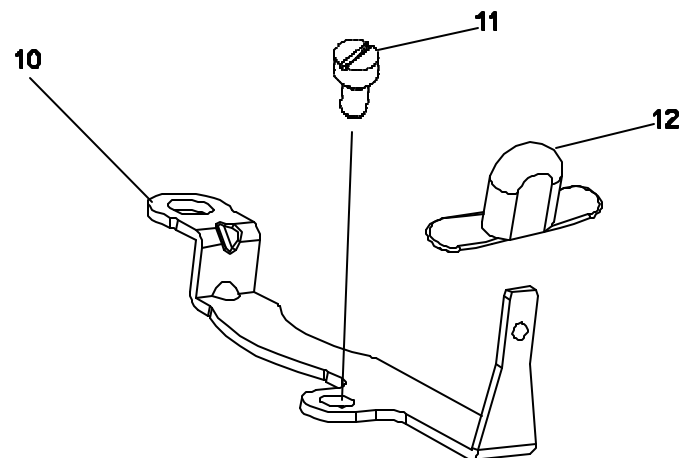
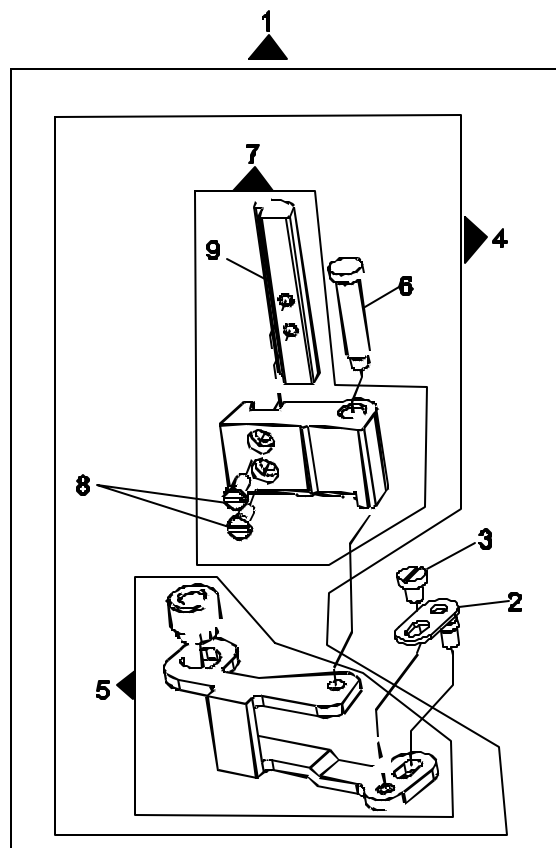


REV.:	_____
DATE:	_____

BIGHT AMPLITUDE

REF.	PART NBR.	DESCRIPTION
01	358074-000	BIGHT AMPLITUDE CONTROL LEVER MOUNTING BRACKET COMPLETE
02	354825-451	BIGHT AMPLITUDE CONTROL LEVER LINK HINGE SCREW
03	49204-000	BIGHT AMPLITUDE CONTROL LEVER LINK HINGE SCREW NUT
04	446904-000	BIGHT AMPLITUDE CONTROL LEVER LINK STOP
05	141913-451	BIGHT AMPLITUDE CONTROL LEVER LINK STOP SCREW
06	37246-000	BIGHT AMPLITUDE CONTROL LEVER LINK
07	354826-451	BIGHT AMPLITUDE CONTROL LEVER LINK SCREW
08	358072-000	BIGHT AMPLITUDE CONTROL LEVER ASSEMBLY
09	531793-000	BIGHT AMPLITUDE CONTROL LEVER MOUNTING BRACKET
10	54591-451	BIGHT AMPLITUDE CONTROL LEVER LINK HINGE SCREW NUT
11	37933-002	NEEDLE BAR DRIVING ARM
12	357976-900	NEEDLE BAR DRIVING ARM TENSION SPRING
13	445780-000	LIGHT LEAD SHIELD & NEEDLE BAR DRIVING ARM TENSION SPRING MOUNTING PLATE
14	113455-001	LIGHT LEAD SHIELD & NEEDLE BAR DRIVING ARM TENSION SPRING MOUNTING PLATE SCREW

NEEDLE POSITION

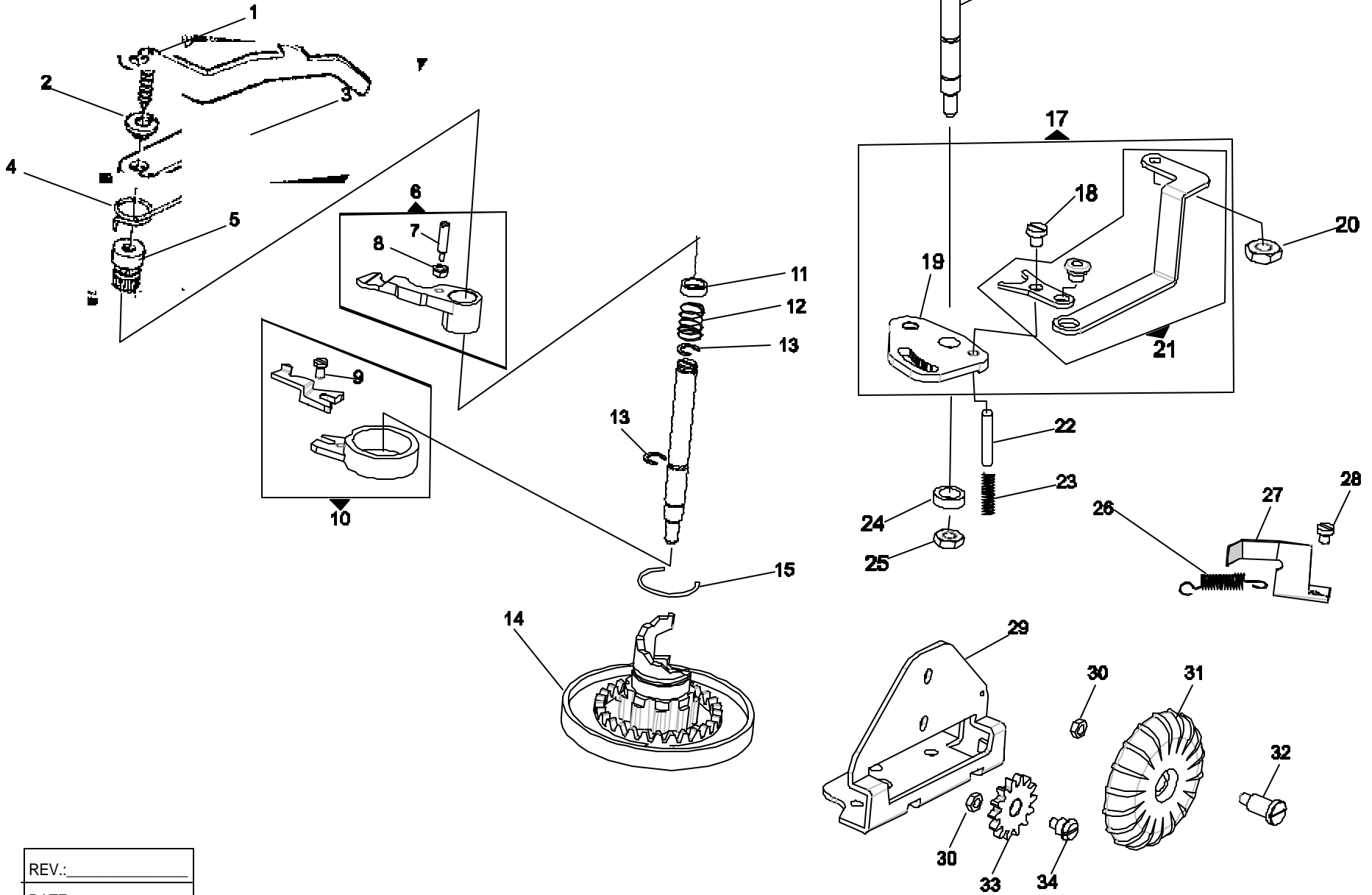


REV.: _____
DATE: _____

NEEDLE POSITION

REF.	PART NBR.	DESCRIPTION
01	358014-000	NEEDLE BAR DRIVING ARM SLIDE BRACKET COMPLETE
02	531736-000	NEEDLE POSITION SELECTOR LEVER BRACKET FOLLOWER STUD ARM ASSEMBLY
03	141913-451	NEEDLE POSITION SELECTOR LEVER BRACKET FOLLOWER STUD ARM ASSEMBLY
04	358013-000	NEEDLE BAR DRIVING ARM SLIDE BRACKET ASSEMBLY
05	356736-901	NEEDLE BAR DRIVING ARM SLIDE BRACKET SUB-ASSEMBLY
06	356642-900	NEEDLE BAR DRIVING ARM SLIDE ARTICULATION PIN
07	358012-000	NEEDLE BAR DRIVING ARM SLIDE ASSEMBLY
08	141920-451	NEEDLE BAR ARM SLIDE ARM SCREW
09	357958-901	NEEDLE POSITION SELECTOR LEVER BRACKET ASSEMBLY
10	357938-900	NEEDLE POSITION LEVER
11	357975-900	NEEDLE POSITION LEVER ADJUSTING ECCENTRIC SCREW
12	357940-900	NEEDLE POSITION LEVER KNOB

PATTERNSELECTOR

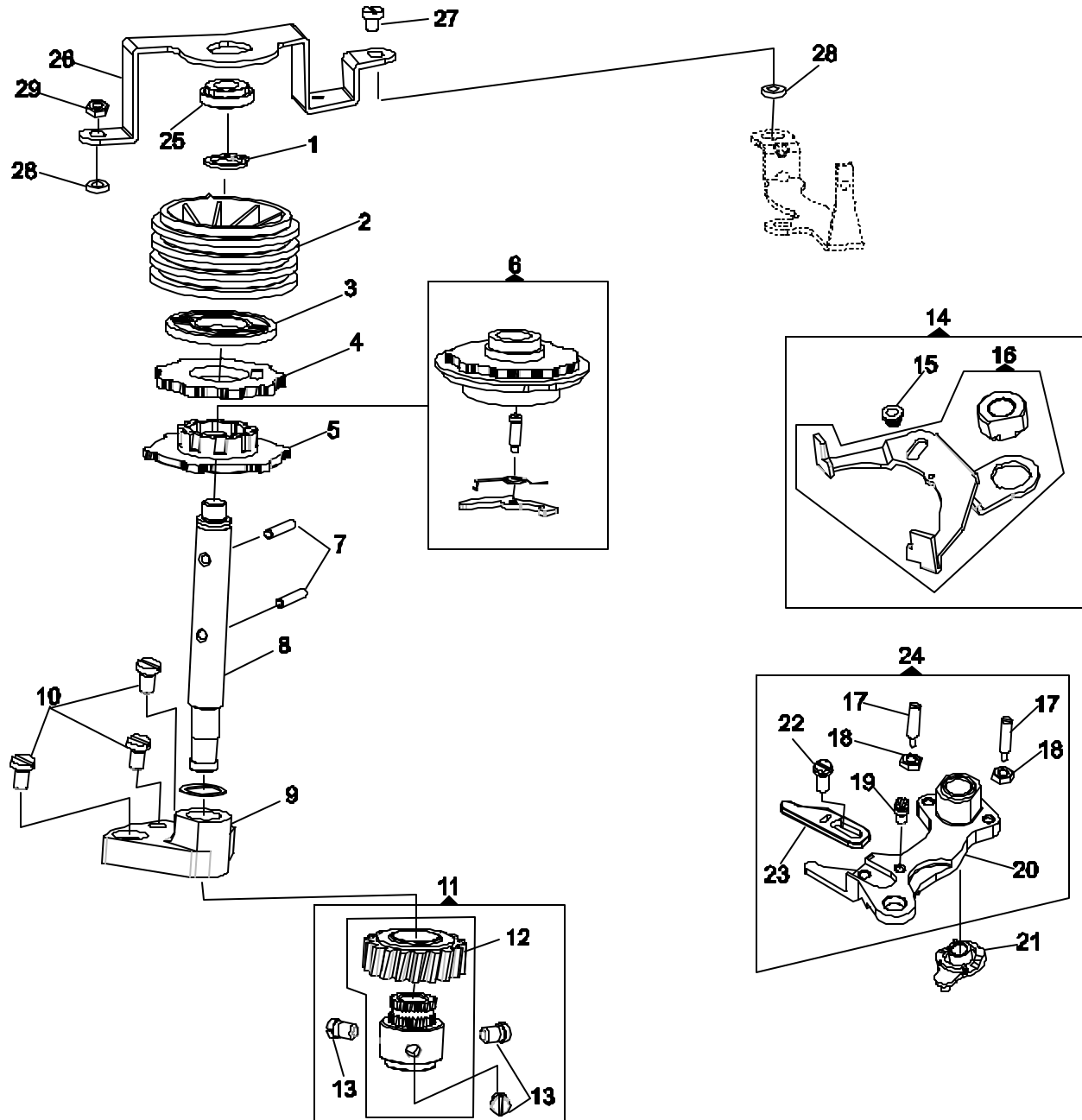


REV.: _____
DATE: _____

PATTERN SELECTOR

REF.	PART NBR.	DESCRIPTION
01	354826-451	DISC FOLLOWER DISENGAGING LEVER SCREW
02	356751-000	DISC FOLLOWER DISENGAGING LEVER BUSHING
03	356750-000	DISC FOLLOWER DISENGAGING LEVER
04	356752-000	DISC FOLLOWER DISENGAGING LEVER SPRING
05	357000-000	DISC FOLLOWER DISENGAGING LEVER STUD
06	358009-000	DISC FOLLOWER COMPLETE
07	445341-000	DISC FOLLOWER HEIGHT ADJUSTING SCREW
08	357932-900	DISC FOLLOWER HEIGHT ADJUSTING SCREW NUT
09	355235-451	BUTTONHOLER DISC FOLLOWER SCREW
10	358008-000	BUTTONHOLER DISC FOLLOWER COMPLETE
11	353548-000	DISC FOLLOWER STUD WASHER
12	357902-900	DISC FOLLOWER SPRING
13	603908-001	DISC SELECTOR CAM RETAINING RING
14	358011-900	PATTERN SELECTOR CAM WITH GRAPHICS
15	357927-900	BUTTONHOLER DISC FOLLOWER RETAINING RING
16	357844-900	DISC FOLLOWER AND DISC SELECTOR HINGE STUD
17	358007-000	NEEDLE POSITION SELECTOR LEVER BRACKET ASSEMBLY
18	141913-451	DISC STACK ACTUATING SPRING SETTING SCREW
19	353547-000	NEEDLE POSITION SELECTOR LEVER BRACKET
20	357932-900	DISC FOLLOWER HEIGHT ADJUSTING SCREW NUT
21	358006-000	NEEDLE POSITION EXTENSION LEVER ASSEMBLY
22	356228-000	NEEDLE POSITION SELECTOR LEVER BRACKET POSITIONING PIN
23	444800-000	NEEDLE POSITION SELECTOR LEVER BRACKET POSITIONING PIN SPRING
24	353585-000	DISC FOLLOWER STUD COLLAR
25	54591-451	NEEDLE POSITION SELECTOR LEVER ADJUSTING PLATE SCREW NUT
26	357901-900	BUTTONHOLER DISC FOLLOWER ACTUATING SPRING
27	357915-900	DISC STACK ACTUATING SPRING
28	141913-451	DISC STACK ACTUATING SPRING SETTING SCREW
29	357918-900	NEEDLE POSITION SELECTOR MOUNTING PLATE
30	618638-005	VERTICAL DRIVING GEAR SHAFT NUT
31	357933-900	VERTICAL DRIVING PATTERN SELECTOR DIAL
32	357934-900	VERTICAL PATTERN SELECTOR DIAL DRIVING GEAR PIN
33	357936-900	SELECTOR DRIVING GEAR
34	357935-900	VERTICAL DRIVING GEAR SHAFT

CAM STACK

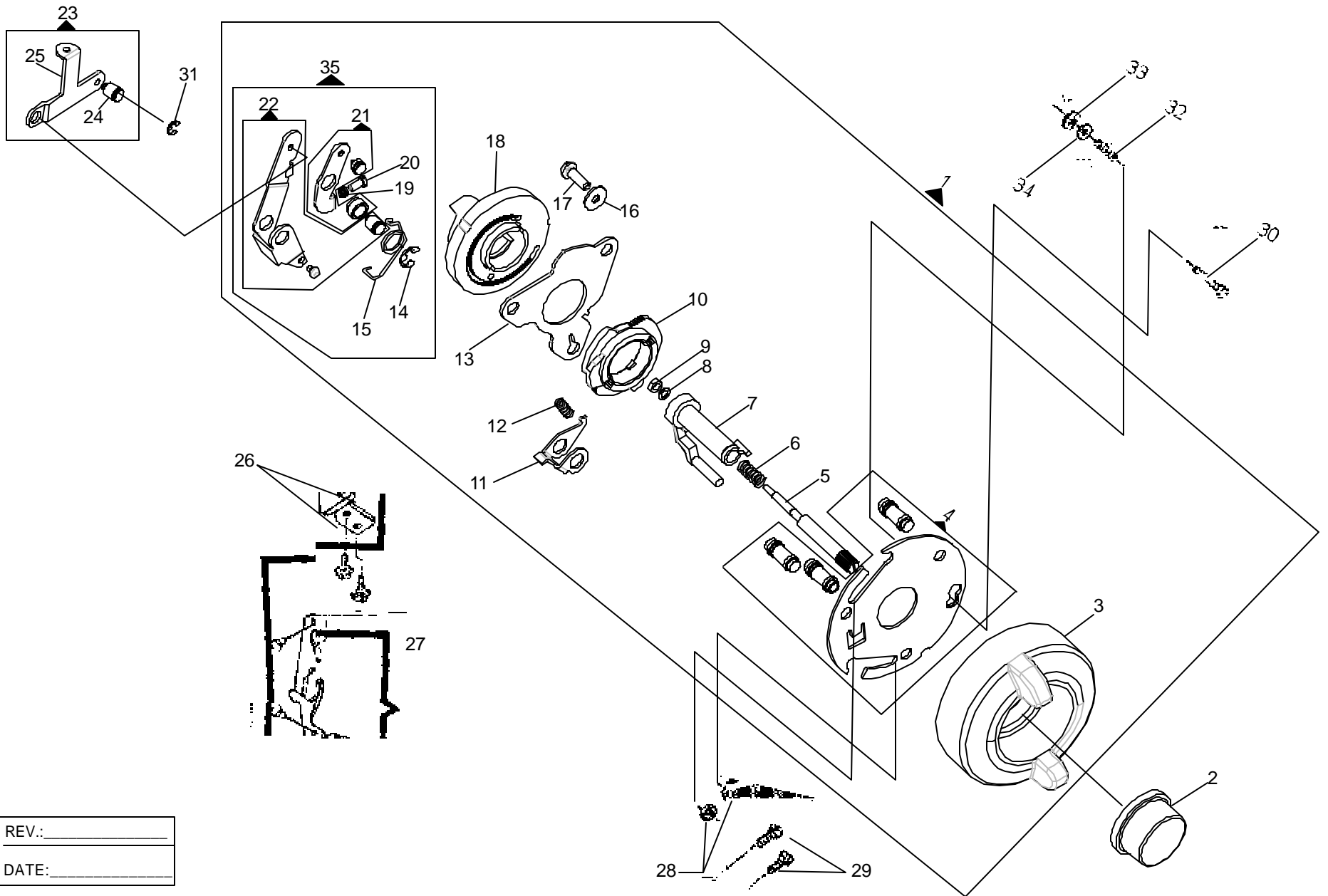


REV.: _____
DATE: _____

CAM STACK

REF.	PART NBR.	DESCRIPTION
01	357929-900	DISC STACK RETAINING RING
02	357837-900	DISC STACK
03	357836-900	DRIVING DISC
04	357835-900	BUTTONHOLER (LEGS) DISC
05	357833-900	CAM CONTROLLED FEED DISC
06	357946-000	BUTTONHOLER ZIG-ZAG AND FEED CONT. DISC ASSEMBLY
07	357848-900	DISC STACK DRAG PIN
08	357849-900	CCF DRAG PIN
09	357889-900	DISC DRIVING GEAR SHAFT MOUNTING SUPPORT
10	113455-012	DISC DRIVING GEAR SHAFT MOUNTING PLATE SCREW
11	357947-000	DISC DRIVING GEAR SHAFT ASSEMBLY
12	357832-900	DISC STACK DRIVING GEAR (WITH INSERT)
13	357928-451	DISC STACK DRIVING GEAR SET SCREW
14	358023-000	BUTTONHOLER ENGAGING AND DISENGAGING LEVER COMPLETE
15	357840-900	CONNECTING ARM GUIDE BUSHING
16	358022-000	BUTTONHOLER ENGAGING AND DISENGAGING LEVER ASSEMBLY
17	445341-000	DISC FOLLOWER HEIGHT ADJUSTING SCREW
18	357932-900	DISC FOLLWER ADJUSTING SCREW NUT
19	357861-900	CCF FOLLOWER SPRING ENGAGING PIN
20	358104-901	CAM CONTROLLED FEED FOLLOWER (MACHINED)
21	357831-900	CCF FOLLOWER SELECTOR HEIGHT
22	141913-000	NEEDLE THREADER S. GUIDE PLATE SCREW
23	358087-900	CCF BUTTONHOLER FOLLOWER
24	358108-000	CAM CONTROLLED FEED FOLLOWER ASSEMBLY
25	357890-900	DISC STACK SHAFT DRIVING BUSHING
26	357815-900	DISC STACK GUIDE BUSHING SUPPORT
27	354133-453	DISC STACK GUIDE BUSHING SUPPORT SCREW
28	446904-000	BIGHT AMPLITUDE CONTROL LEVER LINK STOP
29	618638-005	VERTICAL DRIVING GEAR SHAFT NUT

BUTTONHOLER & FEED REGULATOR CAM

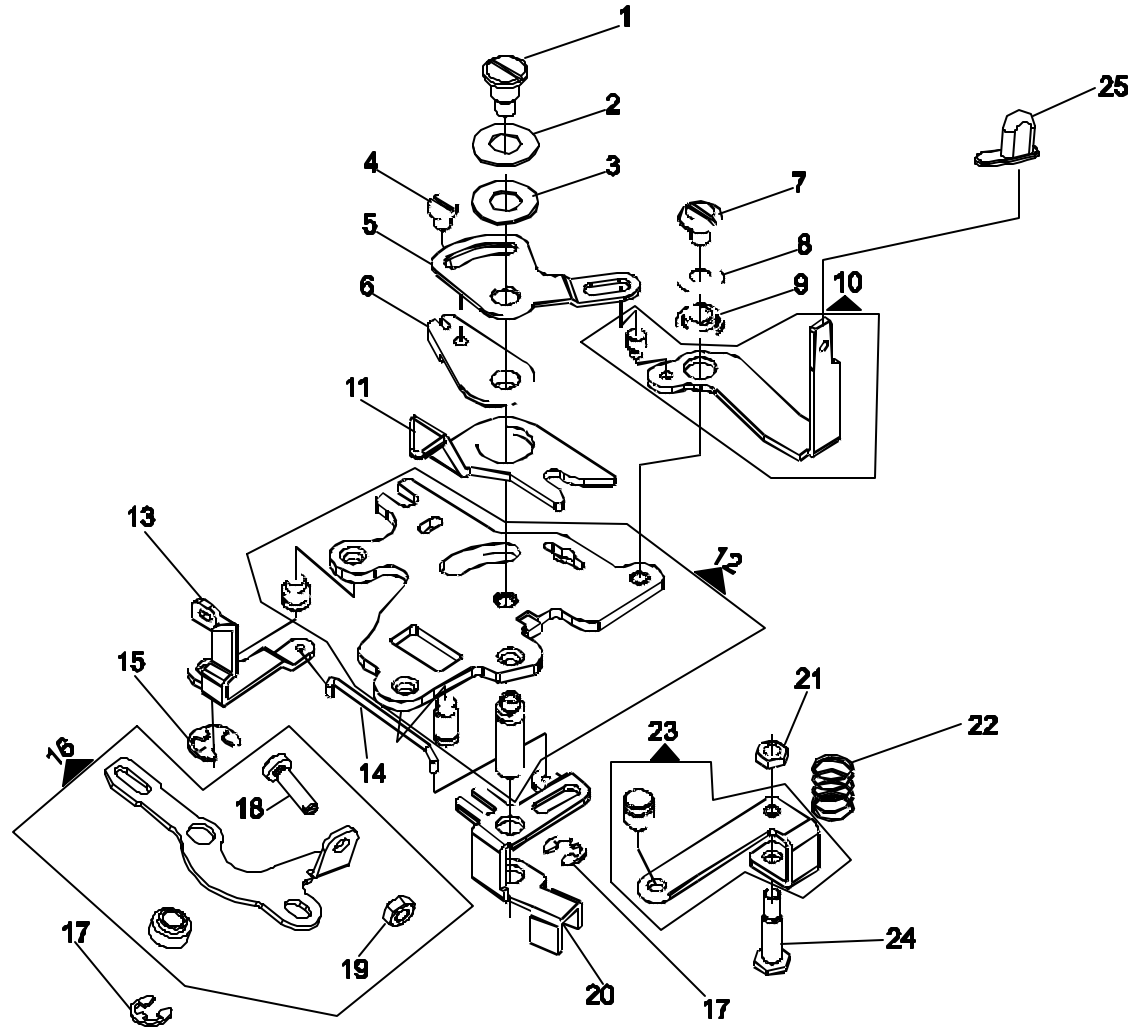


BUTTONHOLER AND FEED REGULATOR CAM

REF.	PART NBR.	DESCRIPTION
01	358035-000	BUTTONHOLER & FEED REGULATOR CAM COMPLETE
02	357736-XXX	FEED REGULATOR POSITIONING PIN KNOB WITH GRAPHICS
03	357966-001	BUTTONHOLER & FEED REG. DIAL WITH GRAPHICS
04	356826-901	FEED REGULATOR MECHANISM MOUNTING PLATE COMPLETE
05	356650-000	FEED REGULATOR POSITIONING PIN
06	44892-000	FEED REGULATOR POSITIONING PIN SPRING
07	357094-000	FEED REGULATOR POSITIONING PIN CARRIER
08	356830-001	FEED REGULATOR POSITIONING PIN WASHER
09	618638-005	FEED REGULATOR POSITIONING PIN CARRIER NUT
10	357830-900	CAM CONTROLLED FEED ENGAGING CAM
11	445933-900	FEED REGULATOR DIAL RETAINING BRACKET
12	353495-000	BUTTONHOLER & FEED REG. CONTROL DIAL PAWL SPRING
13	353310-900	FEED REGULATOR CAM MOUNTING PLATE
14	445486-000	CAM FOLLOWER LEVER RETAINING RING
15	357907-900	CAM CONTROLLED FEED CONNECTING ARM SPRING
16	445539-000	CAM CONTROLLED FEED ENGAGING CAM FOLLOWER & LEVER WASHER
17	113372-451	CAM CONTROLLED FEED & LEVER MOUNTING SCREW
18	357829-900	BUTTONHOLER & STITCH LENGHT CAM
19	357896-900	CAM FEED LEVER CONN. ARM POSITIONING SPRING
20	141920-451	SPRING SUPPORT SCREW
21	358030-000	FEED C.F. CONNECTING ARM ASSEMBLY
22	358032-000	FEED CAM FOLLOWER LEVER ASSSEMBLY
23	358037-000	FEED CAM FOLLOWER LEVER CONNECTING LINK ASSEMBLY
24	357856-900	CONNECTING ARM BUSHING ARTICULATION PIN
25	357811-900	FEED CAM FOLLWER LEVER CONNECTING LINK
26	113455-001	FEED REGULATOR CONTROL ARM SCREW
27	353304-000	FEED REGULATOR CONTROL ARM ASSEMBLY

28	53640-819	BUTTONHOLER & FEED REG. MECH. MOUNTING PLATE SCREW NUT
29	113513-451	BUTTONHOLER & FEED REG. MECH. MOUNTING PLATE SCREW
30	356230-000	BUTTONHOLER & FEED REGULATOR MECH. MOUNTING PLATE STUD
31	445486-000	BUTTONHOLER RIGHT CONTROL CAM FOL. LEVER LINK (RIGHT) RETAINING RING
32	179949-000	BUTTONHOLER & FEED REG. MECH. MTG. PLATE STUD SPRING
33	408030-000	BUTTONHOLER & FEED REG. MECH. MTG. PLATE STUD RET. RING
34	445808-000	BUTTONHOLER & FEED REG. MECH. MTG. PLATE STUD SPRING WASHER
35	358034-000	FEED CAM FOLLOWER LEVER COMPLETE

CAM CONTROLLED FEED

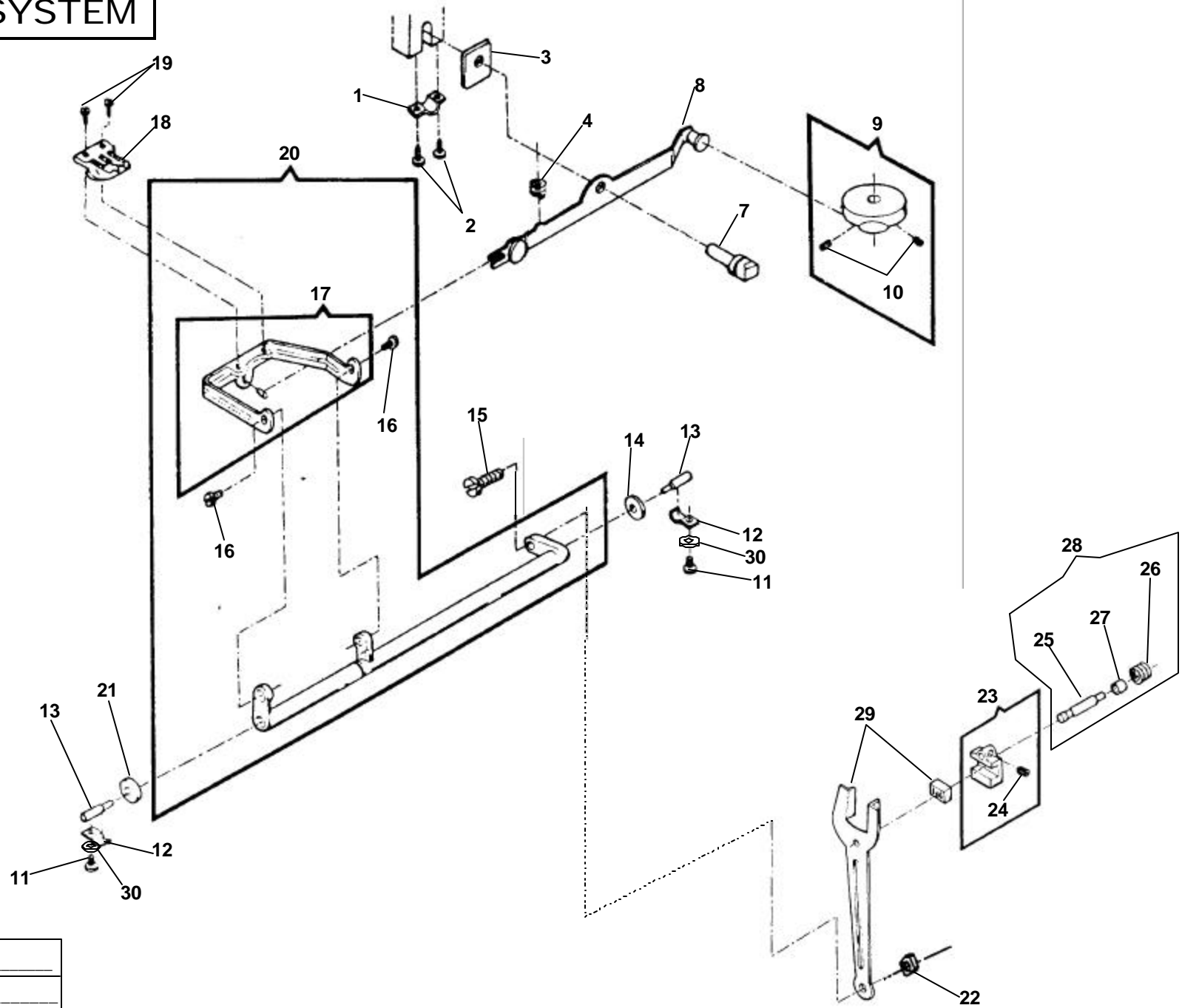


REV.: _____
DATE: _____

CAM CONTROLLED FEED

REF.	PART NBR.	DESCRIPTION
01	113423-451	CAM CONTROLLED FEED BALANCE ADJ. PLATE HING SCREW
02	543531-000	CAM CONTROLLED FEED BALANCE ADJ. SCREW WASHER
03	353492-000	CAM CONTROLLED FEED BALANCE ADJ. SCREW SPRING WASHER
04	141913-451	CAM CONTROLLED FEED BALANCE ADJ. SCREW
05	531754-000	CAM CONTROLLED FEED BALANCE ADJUSTING PLATE
06	353331-000	CAM CONTROLLED DRIVING ARM ECCENTRIC
07	113424-451	CAM CONTROLLED FEED BALANCE ADJUSTING LEVER HINGE SCREW
08	179898-001	CAM CONTROLLED FEED BALANCE ADJUSTING LEVER WASHER
09	353334-000	CAM CONTROLLED FEED BALANCE ADJUSTING LEVER MOUNTING BUSHING
10	358026-000	CAM CONTROLLED FEED BALANCE ADJUSTING LEVER ASSEMBLY
11	353330-001	CAM CONTROLLED FEED DRIVING ARM
12	358027-000	CAM CONTROLLED FEED MOUNTING BRACKET ASSEMBLY
13	357818-900	FEED REGULATOR ARM SPRING ENG. LEVER
14	353473-000	CAM CONTROLLED FEED ENGAGING CRANK LINK
15	445486-000	CAM CONTROLLED FEED FOL. & LINK RETAINING RING
16	358024-000	FEED SELECTOR LEVER COMPLETE
17	445721-000	CAM CONTROLLED FEED ENGAGING CRANK RETAINING RING
18	358085-900	FEED SELECTOR LEVER SCREW
19	357093-451	FEED SELECTOR LEVER SCREW NUT
20	353329-000	CAM CONTROLLED FEED ENGAGING CRANK
21	618638-005	CONNECTING ARM SCREW NUT
22	357909-900	CONNECTING ARM POSITIONING SPRING
23	358025-000	CAM CONTROLLED FEED & DIS. CONNECTING ARM ASSEMBLY
24	357886-900	CONNECTING ARM SCREW
25	357994-900	CAM CONTROLLED FEED LEVER KNOB

FEED SYSTEM

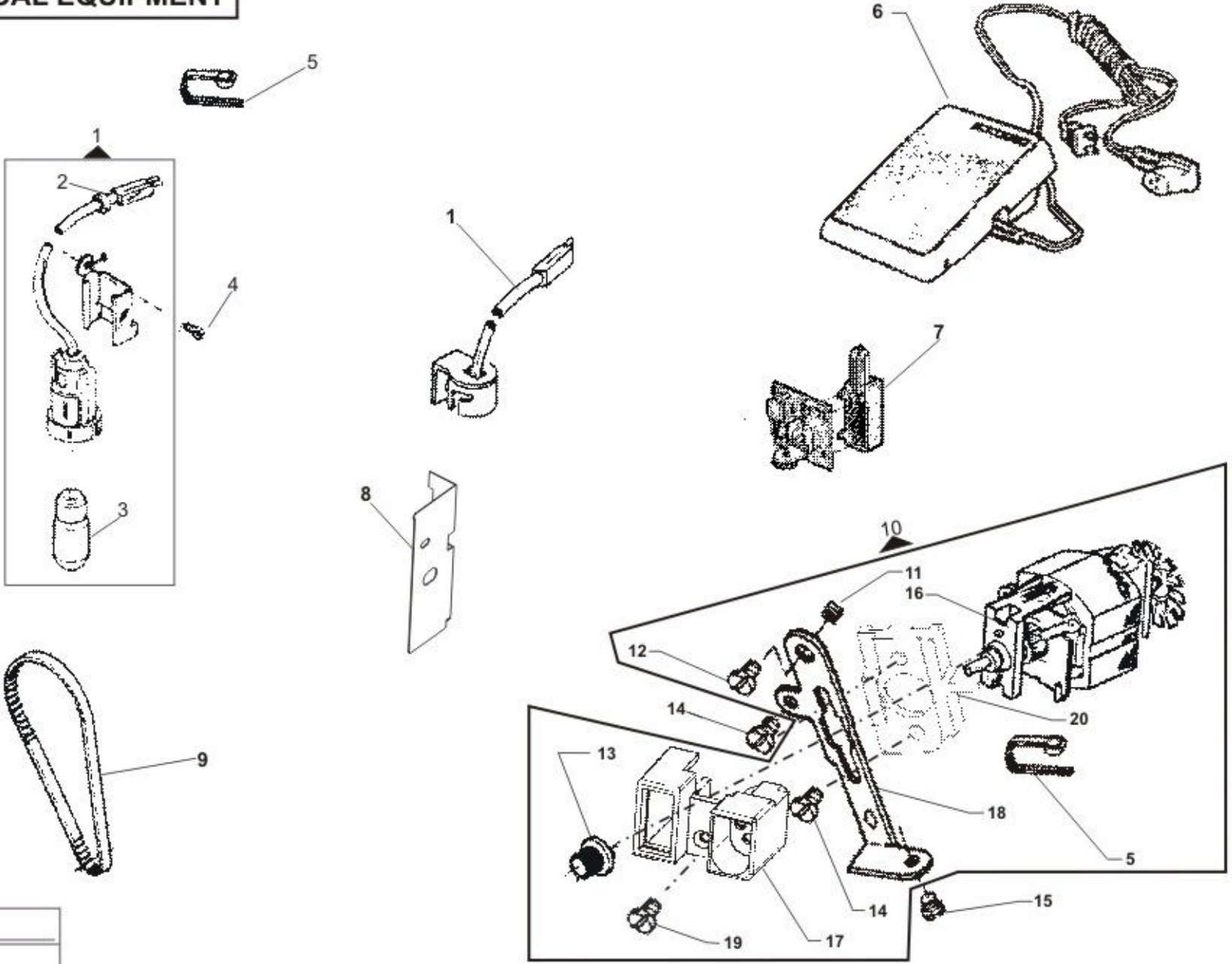


REV.: _____
DATA: _____

FEED SYSTEM

REF.	PART NBR.	DESCRIÇÃO
1	446485	FEED LIFTING LEVER HINGE STUD (ECCENTRIC) CLAMP
2	113455-001	FEED LIFTING LEVER HINGE STUD (ECCENTRIC) CLAMP SCREW
3	179955	FEED LIFTING LEVER HINGE STUD (ECCENTRIC) SPACER
4	446249	FEED LIFTING LEVER SPRING
7	357122-001	FEED LIFTING LEVER HINGE STUD (ECCENTRIC)
8	356222	FEED LEFTING LEVER ASSEMBLY
9	446228	FEED LIFTING CAM
10	544118	FEED LIFTING CAM SCREW
11	113455-001	FEED ROCK SHAFT CENTER SUPPORTING BRACKET SCREW
12	446484	FEED ROCK SHAFT CENTER CLAMP (LEFT & RIGHT)
13	446487-001	FEED ROCK SHAFT CENTER
14	353397	FEED ROCK SHAFT CENTER (RIGHT)NOISE DAMPENING WASHER
15	531623-451	FEED FORKED CONNECTION HINGE SCREW (ECCENTRIC)
16	354939-451	FEED BAR HINGE SCREW
17	446205	FEED BAR ASSEMBLY
18	179891	FEED DOG
19	355235-451	FEED DOG SCREW
20	357651-000	FEED ROCK SHAFT COMPLETE
21	353397	FEED ROCK SHAFT CENTER (LEFT) NOISE DAMPENING WASHER
22	53648-451	FEED FORKED CONNECTION SCREW STUD NUT
23	446244	FEED REGULATOR ASSEMBLY
24	141925-833	FEED REGULATOR SET SCREW
25	446483	FEED REGULATOR HINGE STUD
26	179890	FEED REGULATOR RETURN SPRING
27	445768	FEED REGULATOR RETURN SPRING BUSHING (PLASTIC)
28	353600	FEED REGULATOR HINGE STUD ASSEMBLY
29	357641-000	FEED FORKED CONNECTION WITH SLIDE BLOCK
30	353375-451	FEED ROCK SHAFT CENTER SUP. BRACKET SCREW WASHER

ELECTRICAL EQUIPMENT



REV.: _____
DATE: _____

ELECTRIC EQUIPMENT

REF.	PART NBR.	DESCRIPTION
01		REFER TO CHART ON FOLLOWING PAGE
02	179908-000	LIGHT LEAD GROMMET
03	988076-001	LAMP (120V)
03	988076-003	LAMP(220V/250V)
04	354292-451	LIGHT SOCKET MOUNTING SCREW
05	605600-004	TYE RAP
06		REFER TO CHART ON FOLLOWING PAGE
07	362139-001	SWITCH SPEED(120V)
07	362139-002	SWITCH SPEED(220V)
08	357821-451	LIGHT SHIELD WITH GRAPHICS
09	353518-001	MOTOR BELT(V)
10		REFER TO CHART ON FOLLOWING PAGE
11	313470-452	MOTOR MOUNTING PLATE SCREW NUT
12	113372-451	MOTOR MOUNTING PLATE SCRREW(UPPER)
13	988761-001	MOTOR PULLEY
14	362264-901	MOTOR MOUNTING PLATE CLAMP SCREW
15	113370-451	MOTOR MOUNTING PLATE SCREW (LOWER)
16	988752-010	MOTOR MODULE (120V)
16	988752-013	MOTOR MODULE (220V)
17	362239-022	MOTOR PLASTIC COVERS WITH GRAPHICS
18	356803-901	MOTOR MOUNTING PLATE
19	362263-901	MOTOR MOUNTING PLATE SPACER SCREW
20	362237-001	MOTOR MOUNTING PLATE SPACER (PLASTIC)

ELECTRICAL EQUIPMENT

REF.	DESCRIPTION	CANADÁ & U.S. (120 V)	EUROPA (220 V)	UK (240 V)	ÁSIA & ÁFRICA & AMÉRICA DO SUL (120 V)	ÁSIA & ÁFRICA & AMÉRICA DO SUL (220 V)	ÁFRICA & AMÉRICA DO SUL (120 V)	RUSSIA (220 V)
01	LIGHT COMPLETE	362160-002	605488-026	605488-026	362001-008	362001-008	362001-008	605488-026
06	CONTROLLER	362095-001	362095-002	362095-015	362095-005	362095-006	362095-005	362095-022
10	MOTOR COMPLETE	362180-012	362180-016	362180-016	362180-022	362180-023	362180-022	362180-015