

Welcome:

Thanks for purchasing this product. Please read the instructions carefully before using this product.

• FCC Compliance Statement:

This device complies with Part 15 of the FCC Rules. Operation is subjected to the following two conditions: (1) this device may not cause harmful interference, and (2) this device must accept any interference received, including interference that may cause undesired operation.



This equipment has been tested and found to comply with limits for a Class B digital device, pursuant to Part 15 of the FCC rules. These limits are designed to provide reasonable protection against harmful interference in residential installations. This equipment generates, uses, and can radiate radio frequency energy, and if not installed and used in accordance with the instructions, may cause harmful interference to radio communications.

However, there is no guarantee that interference will not occur in a particular installation. If this equipment does cause interference to radio or television equipment reception, which can be determined by turning the equipment off and on, the user is encouraged to try to correct the interference by one or more of the following measures:

- Reorient or relocate the receiving antenna.
- Move the equipment away from the receiver.
- Plug the equipment into an outlet on a circuit different from that to which the receiver is connected.
- Consult the dealer or an experienced radio/television technician for additional suggestions.

You are cautioned that any change or modifications to the equipment not expressly approved by the party responsible for compliance could void your authority to operate such equipment.

The symbol of the crossed out wheeled bin indicates this product should not be placed in municipal waste. Instead, you need to dispose of the waste equipment by handing it over to a designated collection point for the recycling of waste electrical and electronic equipment.



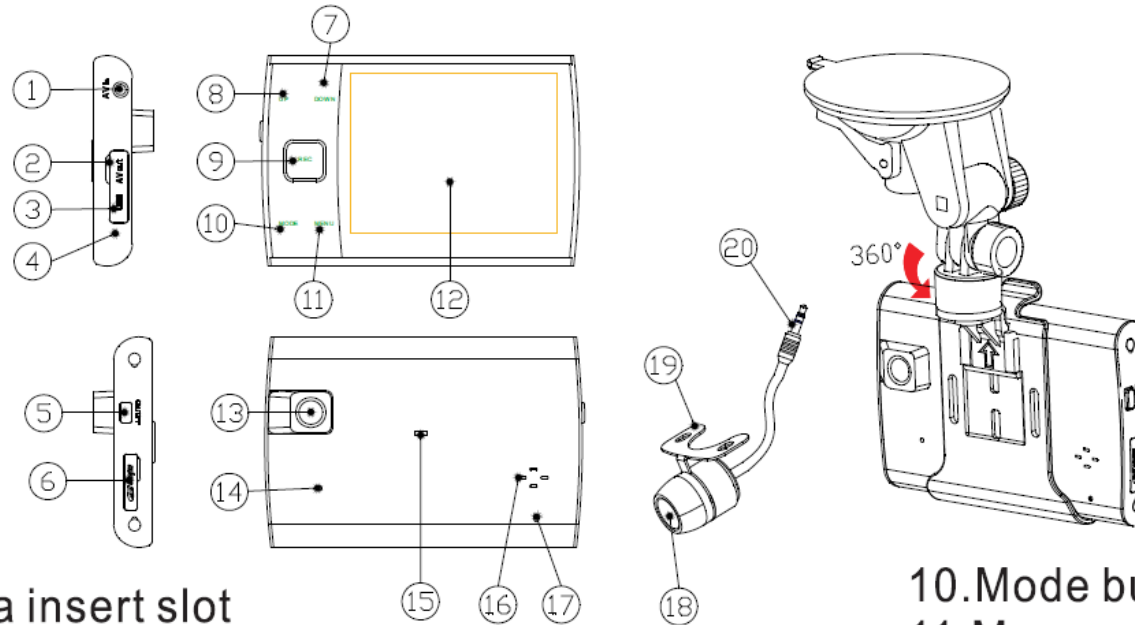
Caution

1. Do not drop, puncture or disassemble the device; otherwise the warranty will be voided.
2. Avoid all contact with water, and dry hands before using.
3. Use the device with care.
Avoid pressing hard on the device body.
4. Use only the accessories supplied by the manufacturer.
5. Keep the device out of the reach of children.
6. For your own safety, don't operate the device while driving.

1

- ⚠ If your cigarette lighter draws power while the car is off, please disconnect this device to avoid draining the car battery.
- ⚠ This device will turn off if the max/min temp is reached.

Product Overview



1. Separate camera insert slot
2. AV-OUT
3. USB Slot
4. Working Indicator (blue) Charging Indicator (red)
5. ON/OFF Power Switch(Turn on/off for 3 seconds/
turn on/off LCD for 1 seconds)
6. Micro SD Card Slot
7. Down button(Switch display picture for 1 second,
adjust EV value for 3 seconds at REC and camera mode)
8. Up button(Turn on/off record sound at Rec mode)
9. Rec/Snap

10. Mode button
11. Menu
12. 3.5" LED Screen
13. Built - in Camera
14. Reset
15. Mount Fixed Hole
16. Microphone
17. Speaker
18. Separate Camera
19. Separate Camera Fixed Frame
20. TV-IN Plug

Included Accessories

- Car Window Mount
- USB Cable
- AV Cable
- Reversing Camera and Cable
- Car Charging Adapter

Operations

This Device can be used via power 2 options.

1. USB Car Adapter
2. Li-Ion internal battery.

The Li-Ion Battery included in this device is of small capacity to reduce the overall size of the unit. The intention for the battery is that if a crash occurs and the power is shut from the car, the camera is still able to record for full evidence and the files will be in tact as opposed to corrupted. If required to be used without the Car adapter plugged in, Please ensure you fully charge the unit before use. This can be done by charging via USB. A Red LED will indicate that the unit is charging and once fully charged this red light will disappear.

When using the device while being powered by the car, ensure your cigarette lighter plugin is not faulty, a loose connection could send mixed signals to the device (intermittent on and off), and as a result the device may shut off thinking the motor has stopped.

Installation of Second Camera

A Second camera is included with this model, this camera does not need to be installed if it isn't required as the unit will work with only the front camera active.

If you wish to use this camera, simply plug the 2.5mm jack into Port (1) from the product overview image. Ensure the surface you wish to mount this camera to has been cleaned free of dust and oils.

Video Recording Mode

4

If the unit is plugged into the cigarette adapter, once the car motor starts the unit will turn on and start recording. The 'working indicator' (4) will flash blue if the unit is recording.

If the device is not plugged in or automatic start up is disabled, turn the camera on by pressing the ON/OFF switch (5).

Once the unit has powered on, press the REC button (9) to start recording.

Camera Mode

While the unit is on, Press the Mode Button (10) to enter the Camera mode. Press the Rec button (9) to take pictures.

Image/Video Preview

If in recording mode, Press the Mode button (10) twice, or once in camera mode. This will enter image / video preview mode.

Navigate using the up and down buttons (7) and (8), (9) to play, (10) to stop and (11) to delete.

Settings

Press the Menu Button (11) to enter the settings interface.

FORMAT

(YES/NO) – Choosing Yes will format the SD card within the Unit. It is recommended you do this with every new SD card you use. Formatting the card will delete all existing data on it.

DATE SET

Set time and Date of the unit. The video files will display the correct watermarked time and date (if enabled) and also file information will be set to what date is set.

VOLUME

6

Adjust the volume of the unit. Note this is not the recording volume.

TV-OUT

(PAL/NTSC) – NTSC is normally used in Northern America, PAL for the rest of the world.

WATERMARK

(On/Off) – This will turn on time stamps on the videos/ images

BACKLIGHT

(15/30/60/On) – This will be the delay between last using the device and when the LCD screen turns off. We recommend not using ON as it can prove to be a distraction whilst driving.

FREQUENCY

(50/60Hz) – Change if static caused by similar electrical frequency is affecting your videos.

DEFAULT SET

(YES/NO) – Choosing Yes will turn the unit back to factory settings. This is not a hard reset but a soft factory reset.

VERSION

Displays the current version of firmware.

MP

(HD/VGA) – Choose between HD recording or VGA.

RT

(1min/2min/5min/OFF) – When Off the unit will not cyclic record. The intervals are the lengths of each cyclic recording block.

FRAME RATE

(15/30FPS)₇

(Mic) RECORD

(YES/NO) – If YES is selected, this unit will record audio during video record.

AUTO DETECT

(ON/OFF) – If ON, the unit will only record if there is movement every 5 seconds.

PIP

(ON/OFF) – If switched on, Picture in Picture will be enabled. Simultaneously view the rear camera and front.

RECORD MODE

(Double Record/Front Record/Back Record) – Set which cameras are to record.

BOOT RECORD

(YES/NO) – When ON, the device will record when the car switched on.
This only works if plugged into the cigarette lighter.

LANGUAGE

(English/ Chinese/ Korean/ Japanese/ Russian)

Technical Specifications

Video Resolution:

Front Camera: 1280x720P / 640x480P

Rear Camera: 720x480P1

Image Resolution:

1280x960 / 1600x1200 / 2048x1536

Video Format:

H.264(MOV)

Power Supply

Rechargeable Li-Ion battery or 12/24v car Charger.

TF Card

Class 6 and above, 4-32GB

Audio Recording

Mono Record

Output

USB 2.0 and AV-Out

Display

3.5" LED Screen