

UNITED[®]

By AMIRIDIS – SAVVIDIS S.A.

COFFEE MAKER

INSTRUCTIONS MANUAL

Model : CM9166

Read this booklet thoroughly before use, and save it for future reference.

Important safeguards

1. Please read these instructions carefully before use the appliance and save it for future reference.
2. The appliance is not intended for use by persons (including children) with reduced physical, sensory or mental capabilities, or lack of experience and knowledge, unless they have been given supervision or instruction concerning use of the appliance by a person responsible for their safety.
3. Children should be supervised to ensure that they do not play with the appliance.
4. Do not immerse the supply cord, plug, or appliance itself in water or any other liquids.
5. The appliance should only be connected to an earthed socket. Make sure the voltage indicated on the appliance corresponds to the local mains voltage before plugging in.
6. Never let the machine operate while unattended.
7. The supply cord should be regularly examined for signs of damage. If the supply cord is damaged, it must be replaced by the manufacturer, its service agent or similarly qualified persons in order to avoid a hazard.
8. Do not operate the appliance with a damaged cord or plug, or after the appliance malfunctions, or has been damaged in any manner, return appliance to the nearest authorized service agent for examination, repair or adjustment.
9. This appliance is intended for household use only and not for commercial applications.
10. Never use the appliance outdoors and always place it in a dry environment.
11. Always remove the plug from the socket in case of any malfunction, before filling or after use, or before cleaning.
12. Do not allow the appliance or its supply cord to touch hot surfaces or to come into contact with any heat sources.
13. Keep the supply cord out of reach of children or incompetent persons. Never unplug or move the appliance by pulling the cord. Do not wind the cord around the appliance or twist it.
14. Stand the appliance on a stable, flat surface.
15. Never touch the hot parts of the appliance (be careful, also the warm plate or warm plate is a hot part!). Only take the jug by the handle.
16. Be careful not to get burnt by the steam evaporating from the filter.
17. Never use your coffee maker without water in it. Only use fresh and cold water to brew coffee.
18. Never fill the water tank beyond the Max. level. Do not use your coffee maker in case of overflowing.
19. Never put the jug in an oven (including microwave oven) to warm up the coffee.
20. Do not forget that the temperature of the coffee prepared is high, handle with care the jug to avoid scalding.
21. Handle with care the glass jug (if applicable) as the glass is very fragile. Never use the appliance if the jug shows any signs of cracks.
22. Never place the empty or almost empty glass jug (if applicable) on the warm plate when the coffee maker is in function, or on any other hot surfaces.
23. Never use accessories which are not recommended by the manufacturer. They could constitute a danger to the user and risk to damage the appliance.
24. Always set any control to "off" before unplugging from the socket.
25. Make sure the ambient temperature is above 0°C, otherwise the appliance does not function properly.
26. Always descale the appliance regularly to ensure optimum performance and prevent malfunction.
27. Make sure cool down before cleaning or storing the appliance.

Technical data

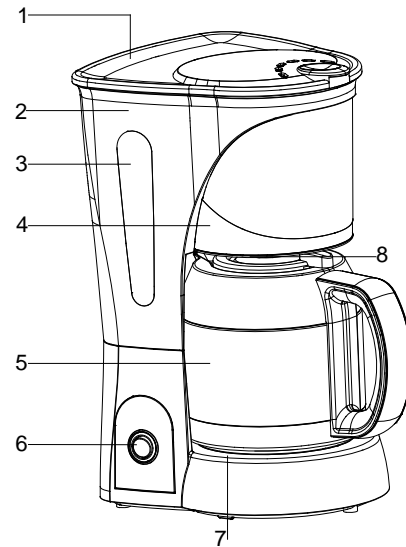
Ratings: 220-240V~ 50Hz, 1000W

Nominal capacity of water tank: 1.35L


Nominal capacity of vacuum jug: 1.25L

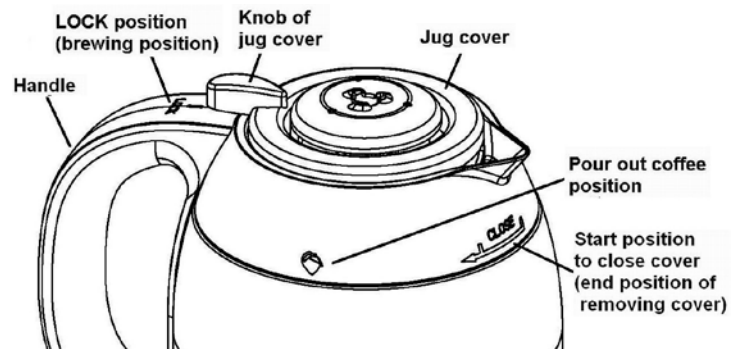
Know your coffee maker

1. Top lid
2. Water tank
3. Water gauge
4. Metal decoration
5. Vacuum jug
6. On/Off switch with indicator lamp
7. Vacuum jug stand
8. Anti-drip valve



How to use vacuum jug

- To pour out coffee, turn the cover anticlockwise by means of the knob until the knob points to the symbol . Note: Always close the cover after pouring coffee to keep the coffee hot.
- To close the cover, turn it clockwise by means of the knob until the knob points to the symbol 'LOCK'.

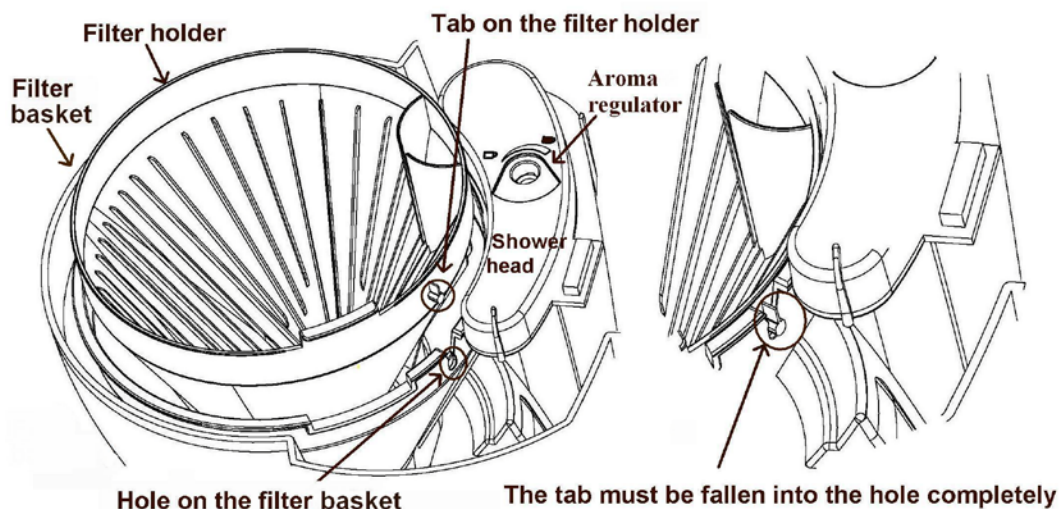


- To remove the cover from the vacuum jug, turn it anticlockwise by means of the knob until the knob points to the symbol 'CLOSE', then take it out upwards. Reverse operation will refit the cover to jug,

Operation

1. Uncover the top lid and fill with fresh cold water to required level.
2. Put adequate quantity of coffee powders into the permanent filter (if applicable) or paper filter inside the filter basket.



Note: Make sure the filter holder has been assembled correctly to the filter basket as below before this operation.



3. Turn the shower head to point the center of the filter.
4. Close the top lid.
5. Place the jug on the jug stand. Make sure the lid of the jug is in 'LOCK' position.

6. Switch on the appliance by pressing the On/Off switch, the indicator lamp will light up and now the appliance starts to work.

Note: Use the aroma regulator can obtain the coffee milder or stronger.

- 1) To obtain milder coffee, turn the aroma regulator to position 
 - 2) To obtain stronger coffee, turn the aroma regulator to position 
7. The appliance will brew until the water tank is emptied, then automatically shut off.
 8. The vacuum jug will keep the brewed coffee warm at:
 - 1) Above 75°C in half an hour.
 - 2) Above 70°C in an hour.

Cleaning

1. Do not forget to remove the plug from the socket and make sure cool down before cleaning the appliance.
2. Never immerse the cord, plug, or appliance itself in water.
3. Wipe outside with soft, moist cloth when appliance is cold down completely, never use metal polish.
4. Clean the permanent filter (if applicable) and other detachable parts in warm soapy water, rinse with fresh water and dry them before reassembling.
5. Clean the inside of jug with a soft brush in warm soapy water. rinse with fresh water and dry it before next use.

Note: Never use a dishwasher to clean the jug.

6. Clean the appliance at least once every 3 months so as to keep high efficiency.
7. Store the appliance in a dry and not very hot place.

Descaling

The appliance has to be descaled regularly, otherwise the coffee taste will become bad and the scale deposited inside in the machine may cause permanent and irreparable damage to the machine.

If you begin to notice the increase of the noise during boiling, or a longer time of brewing time, or the appliance switches off before the water tank is empty, these indicate descaling is necessary.

The frequency depends on the water hardness and the brewing frequency. Generally, the descaling should be done in the following periodicity:

- With soft water, at least once every 3 months.
- With hard water, at least once every month.

If doubt to the water hardness, ask advice of your local tap water company.

It is recommended to use only liquid descaler suitable for coffee maker, and read carefully the instructions on its package or user manual before use.

1. Mix adequate descaler with cold water in a measuring jug.

Note: Never use a powder descaler.

2. Fill the water tank up to the Max level with prepared solution.
3. Operate the appliance until the water tank is empty as if you brewed coffee, but without paper filter and ground coffee in the filter holder.
4. Repeat steps 1 to 3 for another descaling cycle.

Note: Never refill the water tank with the used descaling solution because it is no longer active.

5. Operate two more brewing cycles with fresh, cold water to remove all descaler solution residues.

Important:

- 1) Never interrupt the descaling process.
- 2) Malfunctions caused by scale deposited inside the appliance are not covered by the guarantee if the descaling process is not carried out properly.

Troubleshooting

If you have a problem, you may find the solution in the table below. In case these solutions can not solve your problem yet, please contact with the nearest authorized service agent for examination, repair or adjustment.

Problem	Solution
The appliance does not work.	Make sure the voltage indicated on the appliance corresponds to the local mains voltage.
	Make sure the appliance has been plugged in & switched on.
Water leaks out of the appliance.	Check if the water tank is filled beyond the MAX level.
The appliance produces a lot of noise and steam during brewing.	Make sure the water tank is not filled with hot water.
	The appliance needs to be descaled (see chapter 'Descaling').
Coffee grounds enter into the jug.	Check if the filter holder has overflowed because there is too much ground coffee in the filter, or the jug has not been placed correctly under the filter holder, or you . remove the jug for more than 30 seconds during brewing.
	Check if the filter is torn or you use the wrong size of paper filter.
Brewing coffee takes longer than usual.	The appliance needs to be descaled (see chapter 'Descaling').
The coffee maker switches off before the water tank is empty.	The appliance needs to be descaled (see chapter 'Descaling').
The coffee is not strong enough.	Check if used ground coffee is not enough. It should be one heaped measuring spoon of ground coffee for each cup.
	Check if you have used ground coffee with mild flavour.
	Check if you have not used the aroma function.
The coffee is too strong.	Check if used too much ground coffee. It should be one heaped measuring spoon of ground coffee for each cup.
	Check if you have used ground coffee with strong flavour.
	Check if you have used the aroma function.
The coffee is not hot enough.	Check if the brewed coffee is too little. The coffee will warm longer if you brew more.
	Rinse the jug with hot water before brewing, the coffee will stay warm longer.
The jug is difficult to place in the appliance or remove from the appliance.	Make sure the lid of the jug & filter basket are in right position.
	Tilt the jug a little of angle to place or remove it. Be careful not to spill the hot coffee for avoiding scald.
There is less coffee in the jug than expected.	Check if you have no place the jug properly on the jug stand, so as to the anti-drip valve prevents the coffee from flowing out of the filter.
	The appliance needs to be descaled (see chapter 'Descaling').

ENVIRONMENT-FRIENDLY DISPOSAL

Notice about recycling



Your product is designed and manufactured with high quality materials and components which can be recycled and reused.

This symbol means that electrical and electronic equipment, at their end-of-life, should be disposed of separately from your household waste.

Please dispose of this equipment at your local community waste collection/recycling centre. In the European Union there are separate collection systems for used electrical and electronic products.

Please help us to conserve the environment we live in!

DECLARATION OF CONFORMITY

This product complies with the requirements of the directives

EMC-Directive: 2004 / 108 / EC

Low Voltage Directive: 2006 / 95 / EC

EcoDesign EuP Directive: 2009/125/EC

Declare that the CM9166

is in compliance with the following norms:

EN 55014-1:2006

EN 55014-2:1997+A1:2001

EN 61000-3-2:2006

EN 61000-3-3:1995+A1 :2001+A2 :2005

EN 60335-2-15 :2002+A1 :2005

EN 60335-1 :2002+A11,A1 :2004+A12,A2 :2006

EN 50366 :2003+A1 :2006

EN 62301:2005

EXCLUSIVE IMPORTER IN GREECE:

Amiridis – Savidis S.A.

- 33, Vas. Olgas Street – P.O. 54641 – Thessaloniki, Greece.

Tel: +30 2310-850107, 2310-850108, Fax: +30 2310-867835

- 45 Posidonos St. – O.P. 18344 – Moschato, Athens, Greece

Tel: +30 210 9402064, Fax: +30 210 9402137

www.amiridis-savvidis.gr