



Chameleon

ORDERCODE 30962



SHOWELECTRONICS FOR PROFESSIONALS

Congratulations!

You have bought a great, innovative product from Showtec.

The Showtec Chameleon brings excitement to any venue. Whether you want simple plug-&-play action or a sophisticated DMX show, this product provides the effect you need.

You can rely on Showtec, for more excellent lighting products.

We design and manufacture professional light equipment for the entertainment industry.

New products are being launched regularly. We work hard to keep you, our customer, satisfied.

For more information: iwant@showtec.info

You can get some of the best quality, best priced products on the market from Showtec.

So next time, turn to Showtec for more great lighting equipment.

Always get the best -- with Showtec !

Thank you!



Showtec Chameleon™ Product Guide

Warning	2
Safety-instructions.....	2
Operating Determinations.....	3
Rigging.....	4
Description	5
Features and Overview	5
Backside.....	6
Installation	7
Installing the Lamp	7
Set Up and Operation	7
One Chameleon.....	7
Multiple Chameleons.....	8
DMX Dip Switch Value Guide	9
DMX-Protocol	9
Maintenance	10
Changing the Lamp.....	10
Replacing the Fuse.....	10
Troubleshooting	11
No Light, No Movement - All Products.....	11
No Response to DMX	11
Product Specifications	13

WARNING



CAUTION!
Keep this device away from rain and moisture!
Unplug mains lead before opening the housing!



**FOR YOUR OWN SAFETY, PLEASE READ THIS USER MANUAL CAREFULLY
BEFORE YOUR INITIAL START-UP!**

SAFETY INSTRUCTIONS

Every person involved with the installation, operation and maintenance of this device has to:

- be qualified
- follow the instructions of this manual



CAUTION! Be careful with your operations.
With a dangerous voltage you can suffer
a dangerous electric shock when touching the wires!



Before your initial start-up, please make sure that there is no damage caused by transportation. Should there be any, consult your dealer and do not use the device.

To maintain perfect condition and to ensure a safe operation, it is absolutely necessary for the user to follow the safety instructions and warning notes written in this manual.

Please consider that damages caused by manual modifications to the device are not subject to warranty.

This device contains no user-serviceable parts. Refer servicing to qualified technicians only.

IMPORTANT:

The manufacturer will not accept liability for any resulting damages caused by the non-observance of this manual or any unauthorized modification to the device.

- Never let the power-cord come into contact with other cables! Handle the power-cord and all connections with the mains with particular caution!
- Never remove warning or informative labels from the unit.
- Never use anything to cover the ground contact.
- Never run the device without lamp!
- Never ignite the lamp if the objective-lens or any housing-cover is open, as discharge lamps may expose and emit a high ultraviolet radiation, which may cause burns.
- Never lift the fixture by holding it at the projector-head, as the mechanics may be damaged. Always hold the fixture at the transport handles.
- Never look directly into the light source.
- Never leave any cables lying around.
- Never unscrew the screws of the rotating gobo, as the ball bearing will otherwise be opened.
- Do not insert objects into air vents.
- Do not connect this device to a dimmerpack.
- Do not switch the device on and off in short intervals, as this would reduce the lamp's life.
- Do not touch the device's housing bare-handed during its operation (housing becomes very hot).
- Do not shake the device. Avoid brute force when installing or operating the device.
- Only use device indoor, avoid contact with water or other liquids.

- Only operate the fixture after having checked that the housing is firmly closed and all screws are tightly fastened.
- Only operate the device after having familiarized with its functions.
- Avoid flames and do not put close to flammable liquids or gases.
- Always replace the lamp, when it is damaged or deformed due to the heat.
- Always keep case closed while operating.
- Always allow free air space of at least 50 cm around the unit for ventilation.
- Always disconnect power from the mains, when device is not used, before cleaning or when replacing lamp! Only handle the power-cord by the plug. Never pull out the plug by tugging the power-cord.
- Make sure that the device is not exposed to extreme heat, moisture or dust.
- Make sure that the available voltage is not higher than stated on the rear panel.
- Make sure that the power-cord is never crimped or damaged. Check the device and the power-cord from time to time.
- If the lens is obviously damaged, it has to be replaced. So that its functions are not impaired, due to cracks or deep scratches.
- If device is dropped or struck, disconnect mains power supply immediately. Have a qualified engineer inspect for safety before operating.
- If the device has been exposed to drastic temperature fluctuation (e.g. after transportation), do not switch it on immediately. The arising condensation water might damage your device. Leave the device switched off until it has reached room temperature.
- If your Showtec device fails to work properly, discontinue use immediately. Pack the unit securely (preferably in the original packing material), and return it to your Showtec dealer for service.
- For adult use only. Light effect must be installed out of the reach of children. Never leave the unit running unattended.
- For replacement use lamps and fuses of same type and rating only.
- Allow time to cool down, before replacing lamp.
- This device falls under protection class I. Therefore it is essential to connect the yellow/green conductor to earth.
- During the initial start-up some smoke or smell may arise. This is a normal process and does not necessarily mean that the device is defective.
- Repairs, servicing and electric connection must be carried out by a qualified technician.
- WARRANTY: Till one year after date of purchase.



OPERATING DETERMINATIONS

This device is not designed for permanent operation. Consistent operation breaks will ensure that the device will serve you for a long time without defects.

The minimum distance between light-output and the illuminated surface must be more than 1.3 meter.

The maximum ambient temperature t_a must never be exceeded.

If this device is operated in any other way, than the one described in this manual, the product may suffer damages and the warranty becomes void.

Any other operation may lead to dangers like short-circuit, burns, electric shock, lamp explosion, crash etc. You endanger your own safety and the safety of others!

Rigging

Please follow the European and national guidelines concerning rigging, trussing and all other safety issues.

Do not attempt the installation yourself !

Always let the installation be carried out by an authorized dealer !

Procedure:


- If the light effect is lowered from the ceiling or high joists, professional trussing systems have to be used.
- Use a clamp to mount the light effect, with the mounting-bracket, to the trussing system.
- The light effect must never be fixed swinging freely in the room.
- The installation must always be secured with a safety attachment, e.g. an appropriate safety net or safety-cable.
- When rigging, derigging or servicing the light effect, always make sure, that the area below the installation place is blocked and staying in the area is forbidden.

Improper installation can cause serious damage to people and property !

Connection with the mains

Connect the device to the mains with the power-plug.

Always pay attention, that the right color cable is connected to the right place.

Cable	Pin	International
BROWN	FASE	L
BLUE	NUL	N
YELLOW/GREEN	EARTH	

Make sure that the device is always connected properly to the earth!

Description of the device

Features

The Showtec Chameleon is a colourchanger with high output and great effects.

- 1 Color-wheel with 8 colored gobos, and open
- DMX-control via standard DMX-controller
- 1 DMX channel required
- Sound-controlled via built-in microphone
- 15V 150W
- Fuse F3A 250V

Overview

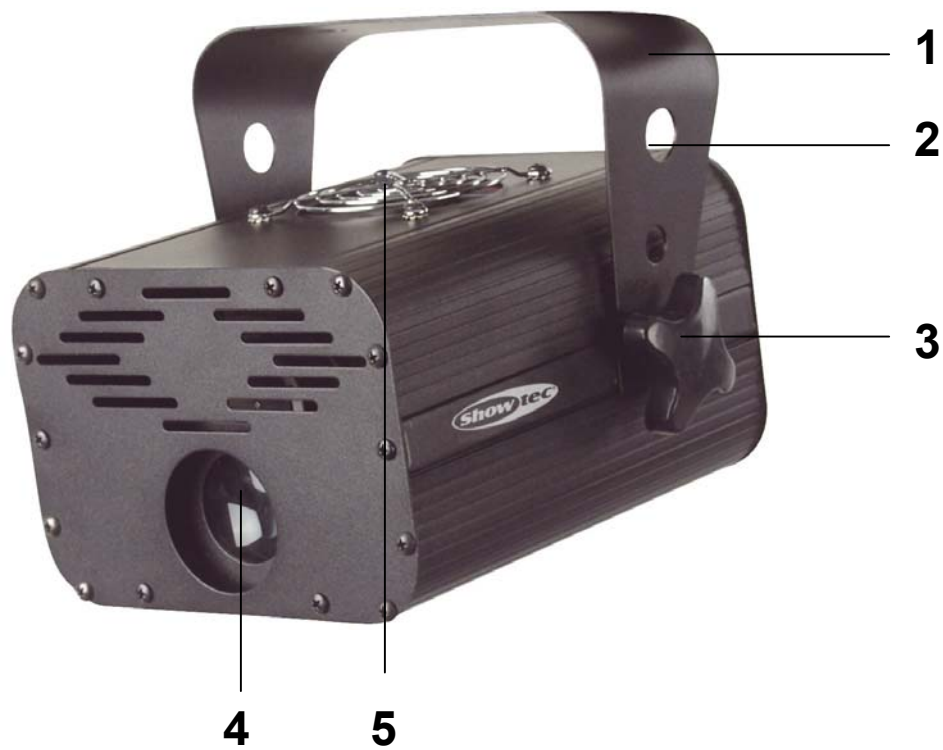


Fig. 1

- 1) Mounting bracket
- 2) Hole for safety-rope
- 3) Fixation screw
- 4) Lens
- 5) Ventilation fan

Backside

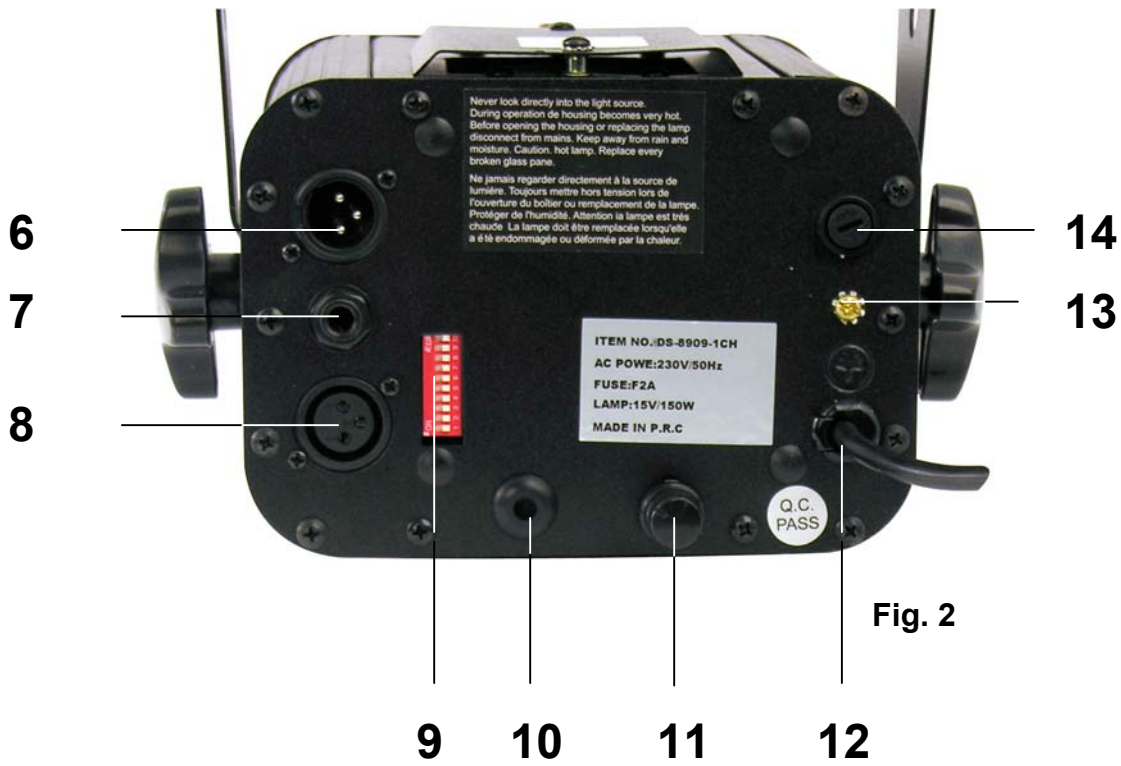


Fig. 2

- 6) DMX signal connector (IN)
- 7) Jack Input
- 8) DMX signal connector (OUT)
- 9) DMX and function dip switches
- 10) Microphone
- 11) Music intensity
- 12) Powercord
- 13) Earth (Ground)
- 14) Fuse holder F3A 250V

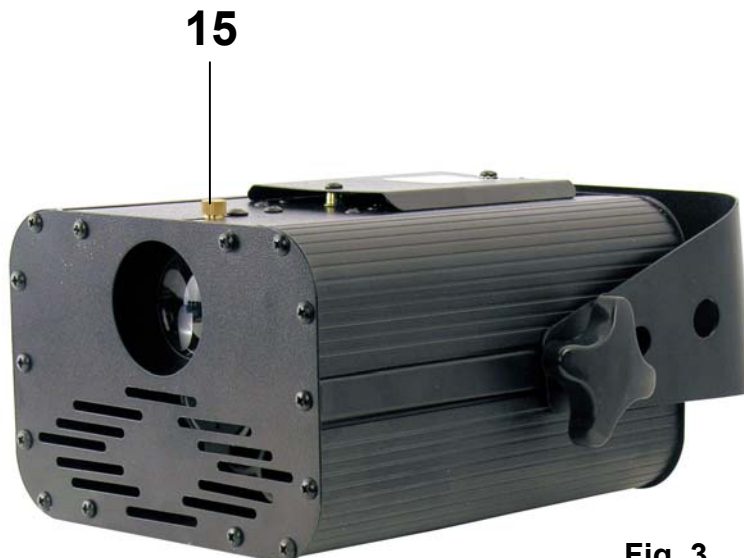


Fig. 3

- 15) Focus

Installation

Installing the Lamp

The Showtec Chameleon uses the EFR 15V 250W (ordercode 82400 / 80807O / 80807500H / 80807) reflectorbulb as manufactured by all popular manufacturers. Use only the appropriate lamp for your unit. Note that, product versions that use other lamps, may be offered in the future. Check your product specification label for information.

Always disconnect from electric mains power supply before changing lamps.

The lamp has to be replaced when it is damaged or deformed due to the heat.

Do not install lamps with a higher wattage! Lamps with a higher wattage generate temperatures the device was not designed for.

Damages caused by non-observance are not subject to warranty.

Procedure :

1. Loosen the 2 screws on the underside of the cover.
2. Remove the cover and gently pull out the lamp socket.
3. Read lamp instructions. Do not touch the lamp bulb glass.
Oil on hands shortens the lamp life. (If you touch the bulb glass, wipe off the glass with a clean, lint-free towel and rubbing alcohol.).
4. Insert the lamp pins into the small holes in the lamp socket.
5. Put the metal housing back and fasten the screws snugly



Fig. 4

Set Up and Operation

Follow the directions below, as they pertain to your preferred operation mode.

Before plugging the unit in, always make sure that the power supply matches the product specification voltage. Do not attempt to operate a 120V specification product on 230V power, or vice versa.

One Chameleon

1. Fasten the effect light onto firm trussing (Use a 30-kg rated or stronger C-clamp fastened onto the Chameleon). Leave at least 1 meter on all sides for air circulation.
2. Plug one end of the electric mains power cord into the IEC socket on the unit.
Then plug the other end of the cord into a proper electric power supply socket.
3. Turn on the music. If Dip Switch #10 (Audio) is set to ON, then the fixture will react to the beat of the music.

Multiple Chameleons

1. Fasten the effect light onto firm trussing (Use a 30-kg rated or stronger C-clamp fastened onto the Chameleon). Leave at least 1 meter on all sides for air circulation.
2. Use a 3-p XLR cable to connect the Chameleons and other devices.

The pins:



1. Earth
2. Signal -
3. Signal +

3. Link the units as shown in (figure 5), Connect a DMX signal cable from the first unit's DMX "out" socket to the second unit's "in" socket. Repeat this process to link the second, third, and fourth units.
4. Supply electric power: Plug electric mains power cords into each unit's IEC socket, then plug the other end of the mains power cord into proper electric power supply sockets, starting with the first unit. Do not supply power before the whole system is set up and connected properly.

Multiple Chameleons Set Up

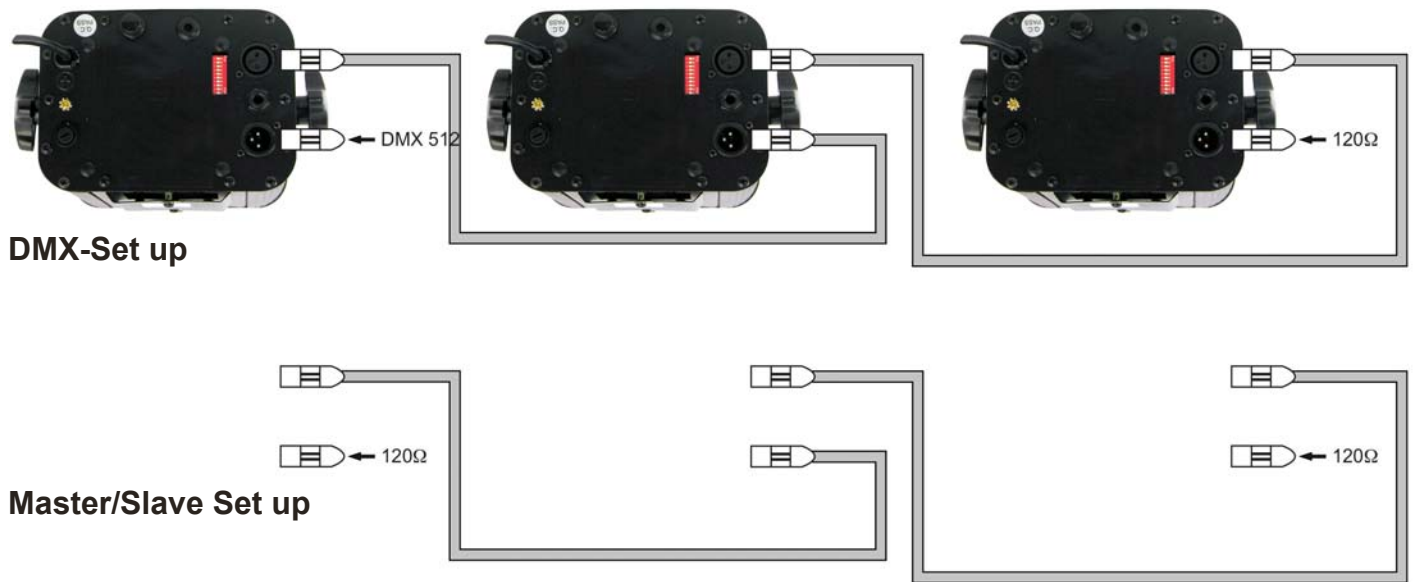


Fig. 5

Note : Link all cables before connecting electric power



© 2005 Showtec.