

SINGER
4325

PART LIST
MODEL 4325
REVISION RECORD

REV	DESCRIPTION	DATE AND APPROVAL

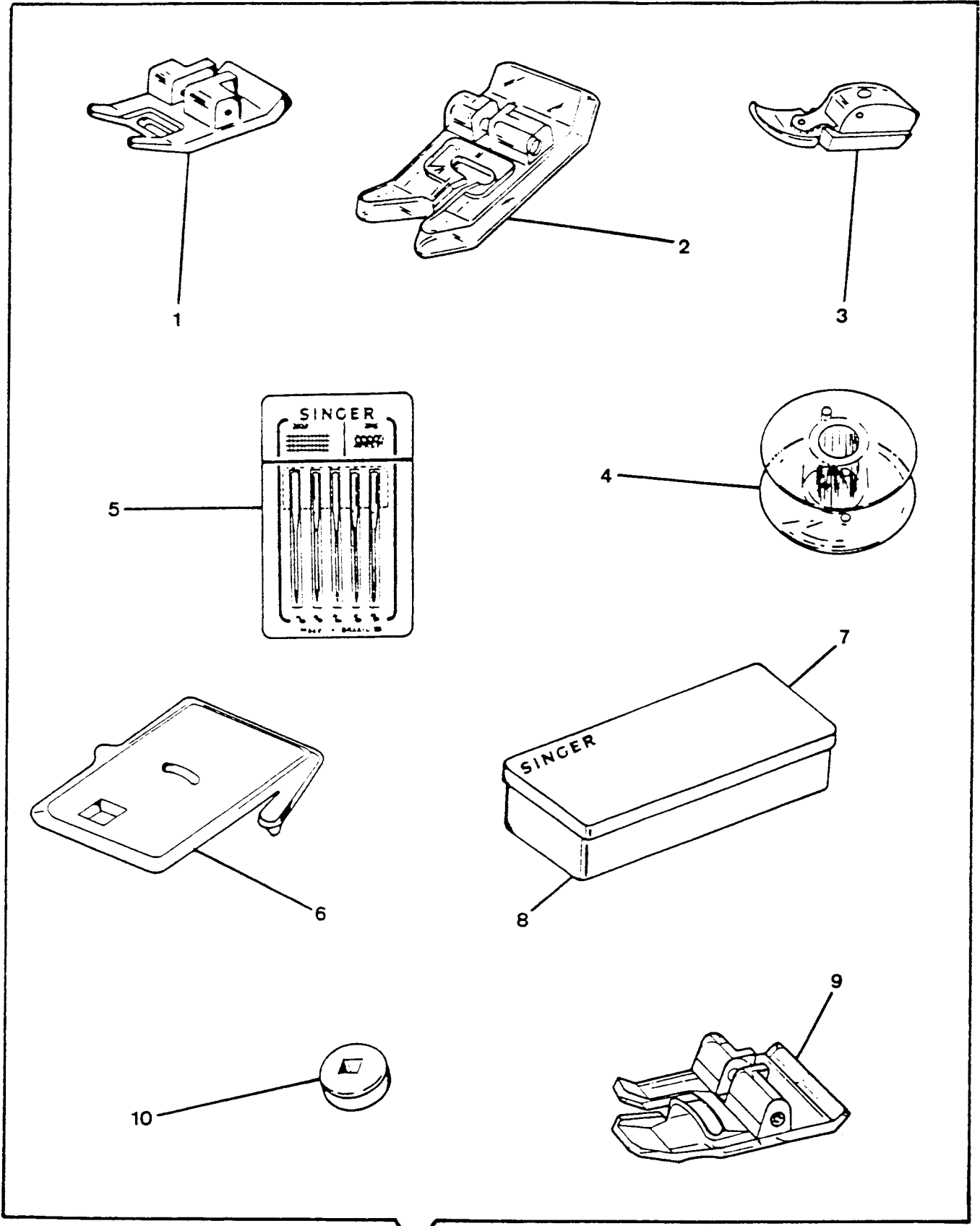
INDEX

PAGE	SUB-ASSEMBLY
01 - 02	ATTACMENT STE
03 - 04	ARM, BED, THROAT PLATE & BED SLIDE
05 - 06	ARM TOP COVER
07 - 08	COVERS AND ADD-ONS
09 - 12	NEEDLE BAR, PRESSER BAR & THREAD TAKE-UP
13 - 14	ARM SHAFT DRIVE
15 - 16	HAND WHEEL
17 - 18	TENSION MECHANISM
19 - 20	HOOK SYSTEM
21 - 22	BIGHT AMPLIUDE
23 - 24	NEEDLE POSITION
25 - 26	DISC SELECTOR ASSEMBLY & CAM STACK
27 - 28	BUTTONHOLER & FEED REGULATOR CAM
29 - 30	FEED SYSTEM
31 - 32	OPTIONS
33 - 34	ELECTRICAL EQUIPMENT

PART LIST
ATTACHMENT SET

REF. PART No.	DESCRIPTION
01 446492-451	SPECIAL PURPOSE PRESSER FOOT PLATE (SNAP-ON)
02 161927	PRESSER FOOT PLATE (SNAP-ON) FRO SEWING BUTTONHOLES
03 507836	PRESSER FOOT PLATE (SNAP-ON) COMPLETE FOR CORDING & SLIDE FASTENERS
04 172336	BOBBIN (PLASTIC)
05 353364	NEEDLE PACK (N2020 SIZE 11/14/16 & N2045 SIZE 11/14
06 381495	FEED COVER PLATE (PLASTIC)
07 446149-458	ATTACHMENT BOX COVER (PLASTIC)
08 446148-456	ATTACHMENT BOX BASE (PLASTIC)
09 356630	BLIND STITCH GUIDE
10 507664-467	ARM TOP COVER SPOOL PIN THREAD LEAD-OFF SMALL PLASTIC
11 531673-001	ATTACHMENT SET COMPLETE

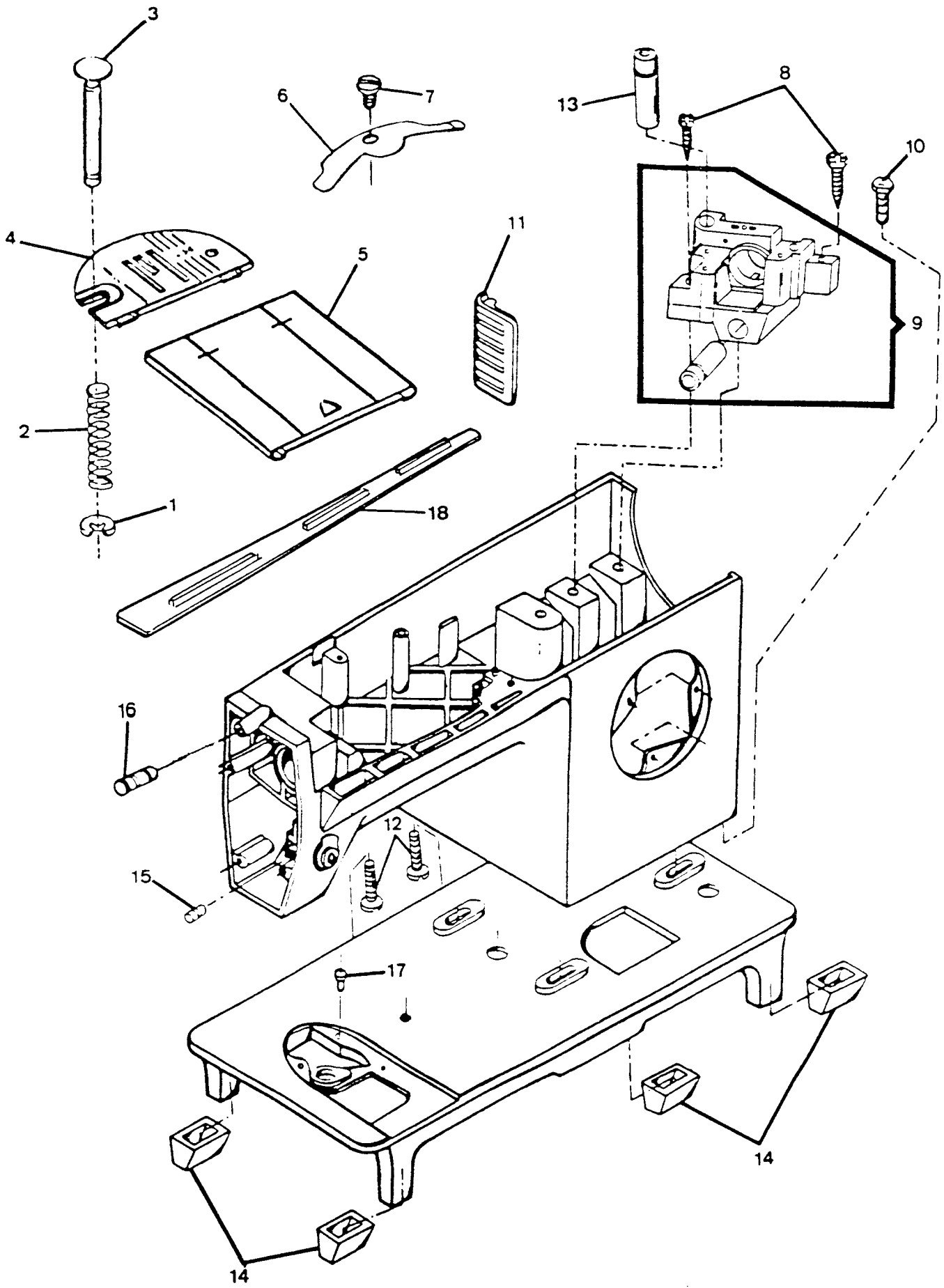
ATTACHMENT SET



PART LIST
ARM, BED, THROAT PLATE & BED SLIDE

REF.	PART No.	DESCRIPTION
01	445721	THROAT PLATE CLAMP SPRING RETAINING RING
02	444889	THROAT PLATE CLAMP SPRING
03	444888	THROAT PLATE CLAMP
04	531663	THROAT PLATE FOR ZIG-ZAG SEWING
05	446151	BED SLIDE PLATE
06	37239	BED SLIDE SPRING
07	354552-451	BED SLIDE SPRING SET SCREW
08	113455-006	ARM SHAFT (REAR) HOUSING MOUNTING SCREW
09	357017-001	ARM SHAFT (REAR) HOUSING ASSEMBLY
10	357020-451	ARM SHAFT (REAR) HOUSING MOUNTING SCREW
11	353360-45X	ARM INSERT (MOTOR VENT GRILL)
12	354833-451	MACHINE HINGE SCREW
13	357019	ARM TOP COVER MOUNTING SCREW
14	446154-451	UNDER BED COVER CUSHION
15	446358-001	TENSION RELEASING LEVER HINGE STUD
16	446375	THREAD TAKE-UP LEVER LINK HINGE STUD
17	179943	THROAT PLATE POSITION PIN (PLASTIC)
18	356111-452	FILLER PLATE

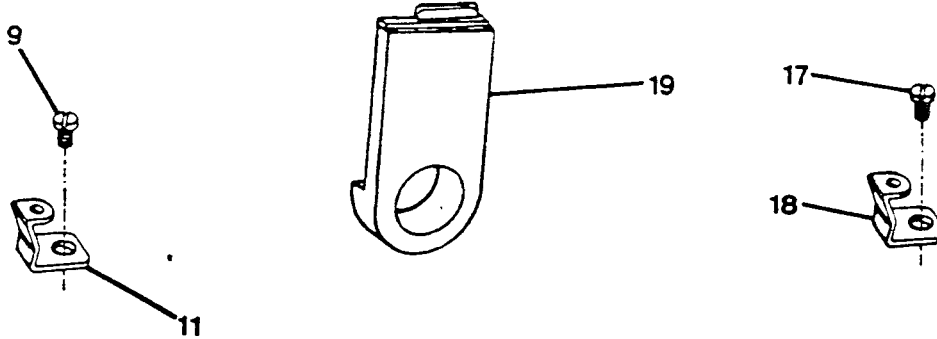
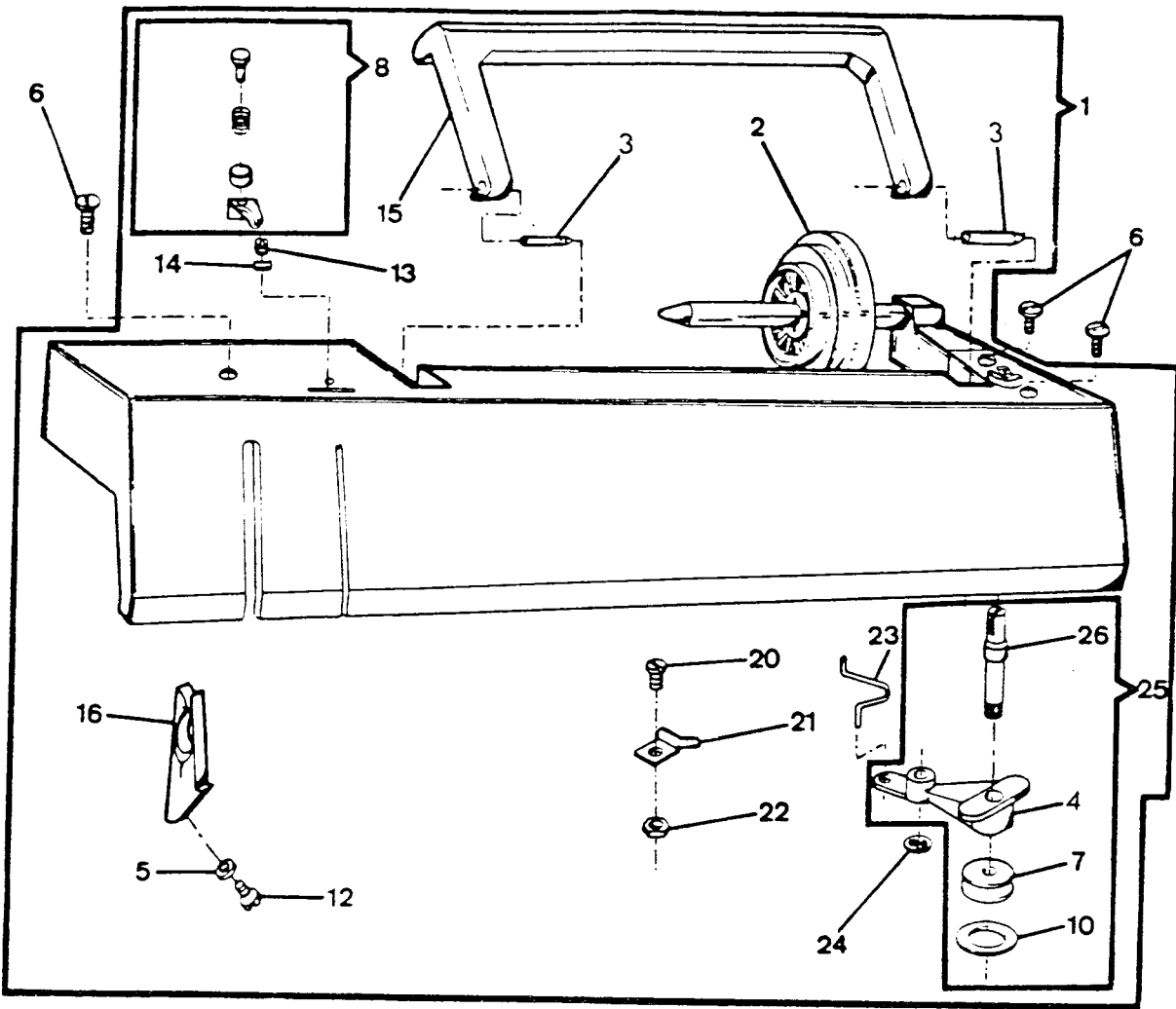
ARM, BED, THROAT PLATE & BED SLIDE



PART LIST
ARM TOP COVER

REF.	PART No.	DESCRIPTION
01	356811-077	ARM TOP COVER COMPLETE
02	179967-461	ARM TOP COVER SPOOL PIN THREAD LEAD-OFF
03	357325-900	ARM TOP COVER HANDLE HINGE PIN
04	357082-452	BOBBIN WINDER FRAME
05	446138	ARM TOP COVER THREAD GUIDE SCREW WASHER
06	354895-453	ARM TOP COVER SCREWS
07	44440-001	BOBBIN WINDER FRICTION RING PULLEY
08	356047	BOBBIN WINDER TENSION COMPLETE
09	354826-451	ARM TOP COVER MOUNTING BRACKET SCREW
10	15287-701	BOBBIN WINDER FRICTION RING
11	531765	ARM TOP COVER BRACKET (LEFT)
12	356116-451	ARM TOP COVER THREAD GUIDE SCREW
13	141936-833	BOBBIN WINDER REGULATING SCREW
14	44794	BOBBIN WINDER REGULATING SCREW CLIP
15	357338-900	ARM TOP COVER HANDLE
16	357084-451	ARM TOP COVER THREAD GUIDE
17	113455-001	ARM TOP COVER MOUNTING BRACKET SCREW
18	356178	ARM TOP COVER MOUNTING BRACKET (RIGHT)
19	356173-453	ARM TOP COVER SHROUDER
20	141920-455	BOBBIN WINDER STOP SCREW
21	445924	BOBBIN WINDER STOP
22	53640-819	BOBBIN WINDER STOP SCREW NUT
23	531766	BOBBIN WINDER HINGE STUD SPRING
24	445486	BOBBIN WINDER RETAINING RING
25	531767-452	BOBBIN WINDER ASSEMBLY
26	357081-452	BOBBIN WINDER SPINDLE COMPLETE

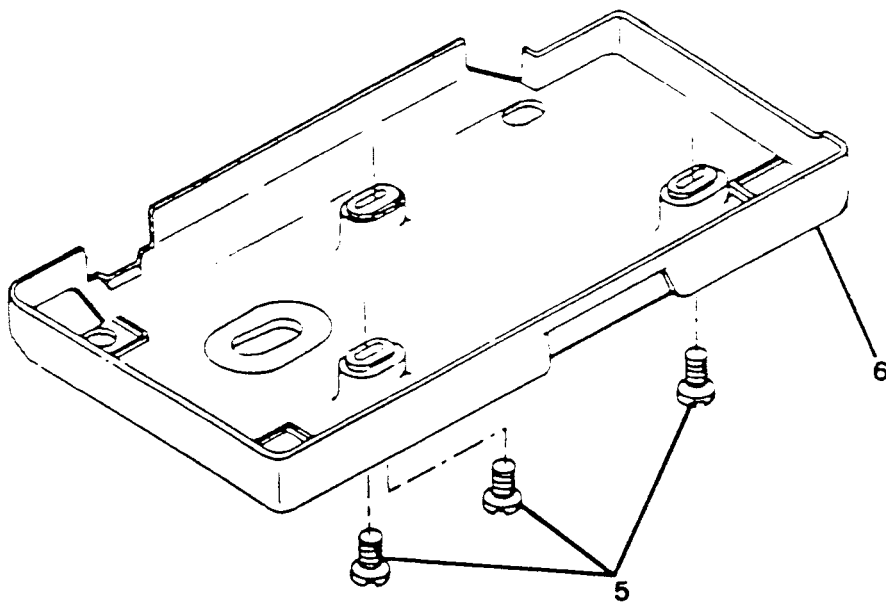
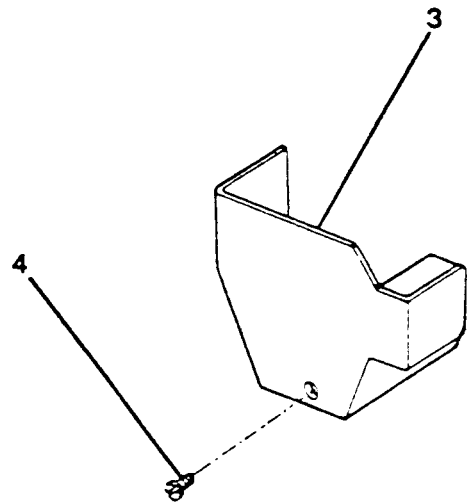
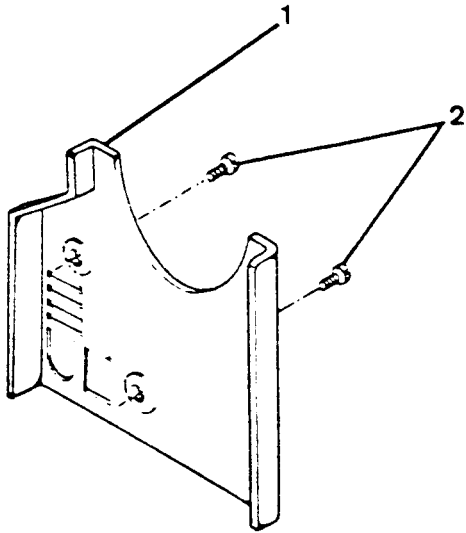
ARM TOP COVER



PART LIST
COVERS AND ADD-ONS

REF.	PART No.	DESCRIPTION
01	446450-102	ARM SLIDE COVER
02	354637-453	ARM SLIDE COVER SCREWS
03	356051-454	FACE PLATE
04	354133-453	FACE PLATE SCREW
05	354833-451	UNDER BED COVER SCREW
06	531671-453	UNDER BED COVER (PLASTIC)

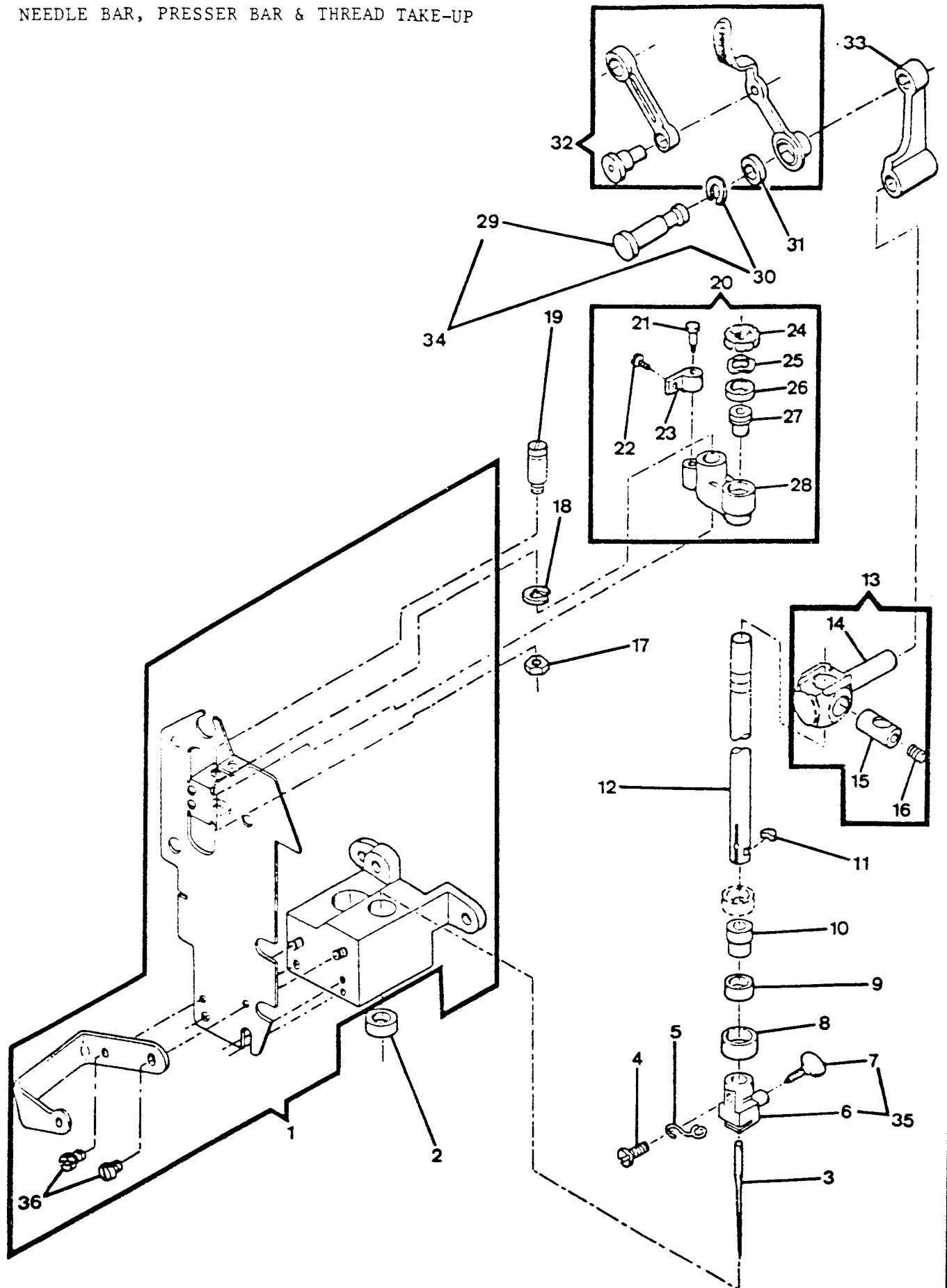
COVERS AND ADD-ONS



PART LIST
NEEDLE BAR, PRESSER BAR & THREAD TAKE-UP

REF.	PART No.	DESCRIPTION
01	356599-001	NEEDLE BAR, PRESSER BAR & VIBRATING BRACKET HOUSING ASSEMBLY
02	44450	NEEDLE BAR BUSHING (LOWER) SOCKET (UPPER)
03	204514-100	NEEDLE (SIZE NBR 14)
04	141808-457	NEEDLE CLAMP BODY, THREAD GUIDE & NEEDLE STOP SCREW
05	353629	NEEDLE CLAMP BODY, THREAD GUIDE & NEEDLE STOP SCREW
06	353630	NEEDLE CLAMP BODY
07	355248-451	NEEDLE THUMB SCREW
08	446361-001	NEEDLE BAR BALL BUSHING (LOWER) ADJUSTING COLLAR
09	507379	NEEDLE BAR BALL BUSHING (LOWER) ADJUSTING COLLAR
10	446355-001	NEEDLE BAR BUSHING (LOWER)
11	37943	NEEDLE BAR GIB
12	445793	NEEDLE BAR
13	353549-940	NEEDLE BAR CONNECTING STUD WITH HINGE PIN
14	353549	NEEDLE BAR CONNECTING STUD
15	37931	NEEDLE BAR CONNECTING STUD HINGE PIN
16	141916-833	NEEDLE BAR CLAMPING SCREW
17	357093-451	NEEDLE BAR VIBRATING BRACKET HINGE PIN NUT
18	445721	NEEDLE BAR VIBRATING BRACKET HINGE PIN RETAINING RING
19	446359	NEEDLE BAR VIBRATING BRACKET HINGE PIN
20	353520	NEEDLE BAR VIBRATING BRACKET COMPLETE
21	37935	NEEDLE BAR DRIVING ARM HINGE BRACKET HINGE PIN
22	354826-451	NEEDLE BAR DRIVING ARM HINGE BRACKET SCREW
23	446190	NEEDLE BAR DRIVING ARM HINGE BRACKET
24	353522	NEEDLE BAR BALL BUSHING (UPPER) RETAINING RING
25	353424	NEEDLE BAR BALL BUSHING (UPPER) WAVED WASHER
26	507379	NEEDLE BAR BALL BUSHING (UPPER) SOCKET
27	446355-001	NEEDLE BAR BALL BUSHING (UPPER)
28	353521	NEEDLE BAR VIBRATING BRACKET (PLASTIC)
29	446260	THREAD TAKE-UP STUD
30	445486	THREAD TAKE-UP STUD RETAINING RING
31	543531	THREAD TAKE-UP STUD THRUST WASHER
32	445672	THREAD TAKE-UP LEVER COMPLETE
33	446357	NEEDLE BAR CONNECTING LINK
34	446261	THREAD TAKE-UP STUD WITH RETAINING RING
35	353631	NEEDLE CLAMP BODY WITH SCREW
36	113480-451	NEEDLE BAR, PRESSER BAR & VIBRATING BRACKET HOUSING PLATE MOUNTING SCREW

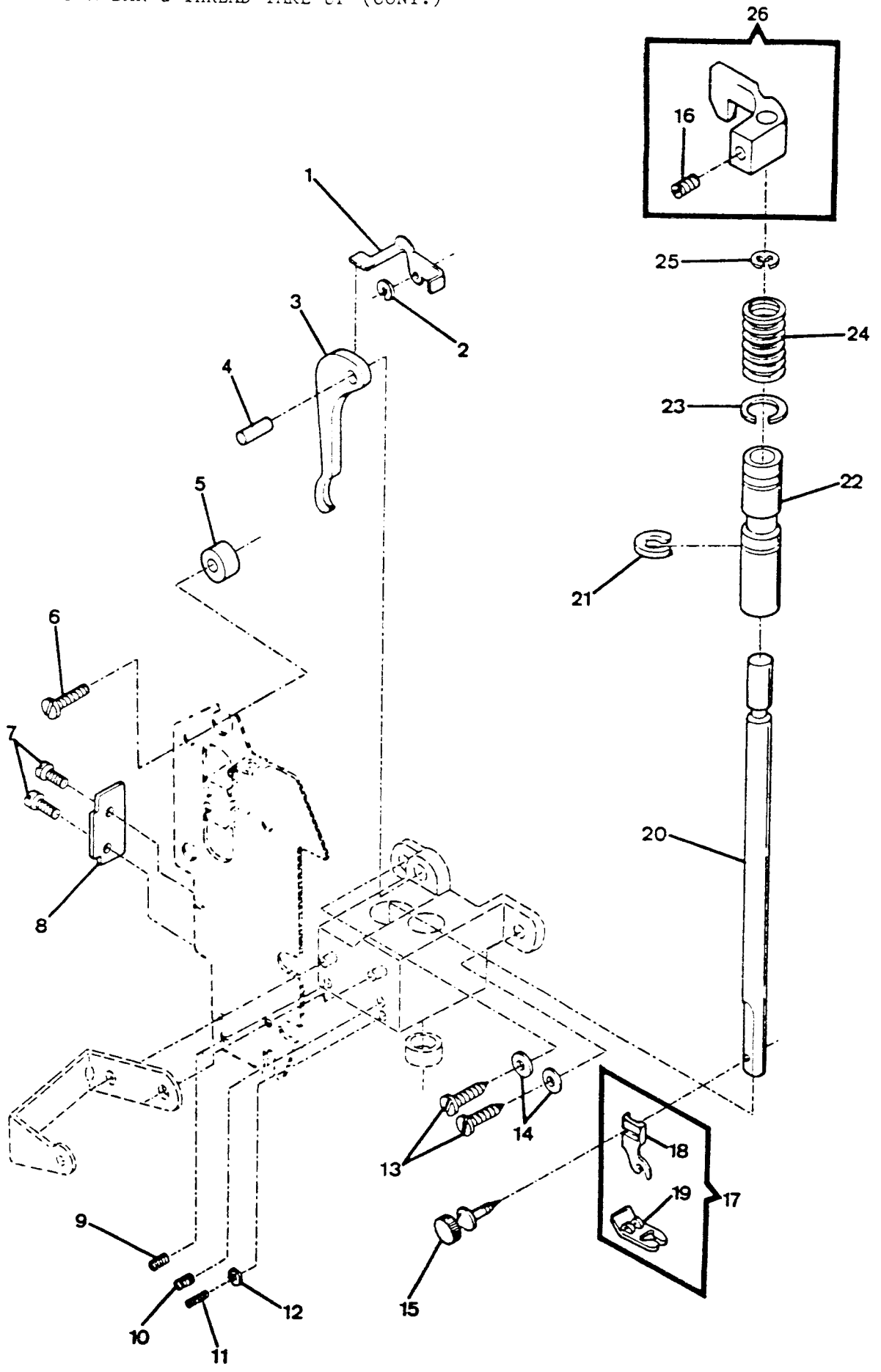
NEEDLE BAR, PRESSER BAR & THREAD TAKE-UP



PART LIST
NEEDLE BAR, PRESSER BAR & THREAD TAKE-UP (CONT.)

REF.	PART No.	DESCRIPTION
01	445925	TENSION RELEASING LEVER
02	445486	TENSION RELEASING LEVER RETAINING RING
03	446356	PRESSER BAR LIFTER
04	446354-451	PRESSER BAR LIFTER HINGE PIN
05	531627	NEEDLE BAR VIBRATING BRACKET MOUNTING BUSHING
06	113455-009	NEEDLE BAR VIBRATING BRACKET MOUNTING BUSHING SCREW
07	141913-451	PRESSER BAR LIFTER POSITIONING PLATE SCREW
08	446353	PRESSER BAR GUIDE BRACKET POSITIONING PLATE
09	354906-451	PRESSER BAR BUSHING SCREW
10	141938-833	NEEDLE BAR BALL BUSHING SCREW
11	354993-451	NEEDLE BAR STOP SCREW
12	54591-451	NEEDLE BAR STOP SCREW NUT
13	113434-451	NEEDLE BAR VIBRATING BRACKET SET SCREW
14	353375-451	NEEDLE BAR VIBRATING BRACKET SET SCREW NUT
15	354135-452	PRESSER BAR THUMB SCREW
16	141925-833	PRESSER BAR GUIDE SCREW
17	446372	PRESSER FOOT WITH SHANK FOR ZIG-ZAG SEWING
18	155964	PRESSER BAR SHANK
19	446371	PRESSER FOOT FOR ZIG-ZAG SEWUNG
20	314638	PRESSER BAR
21	353252	PRESSER BAR BUSHING RETAINING RING
22	445947-001	PRESSER BAR BUSHING
23	353252	PRESSER BAR SPRING RETAINING RING
24	353214	PRESSER BAR SPRING
25	353215	RETAINING RING
26	353212	PRESSER BAR GUIDE COMPLETE

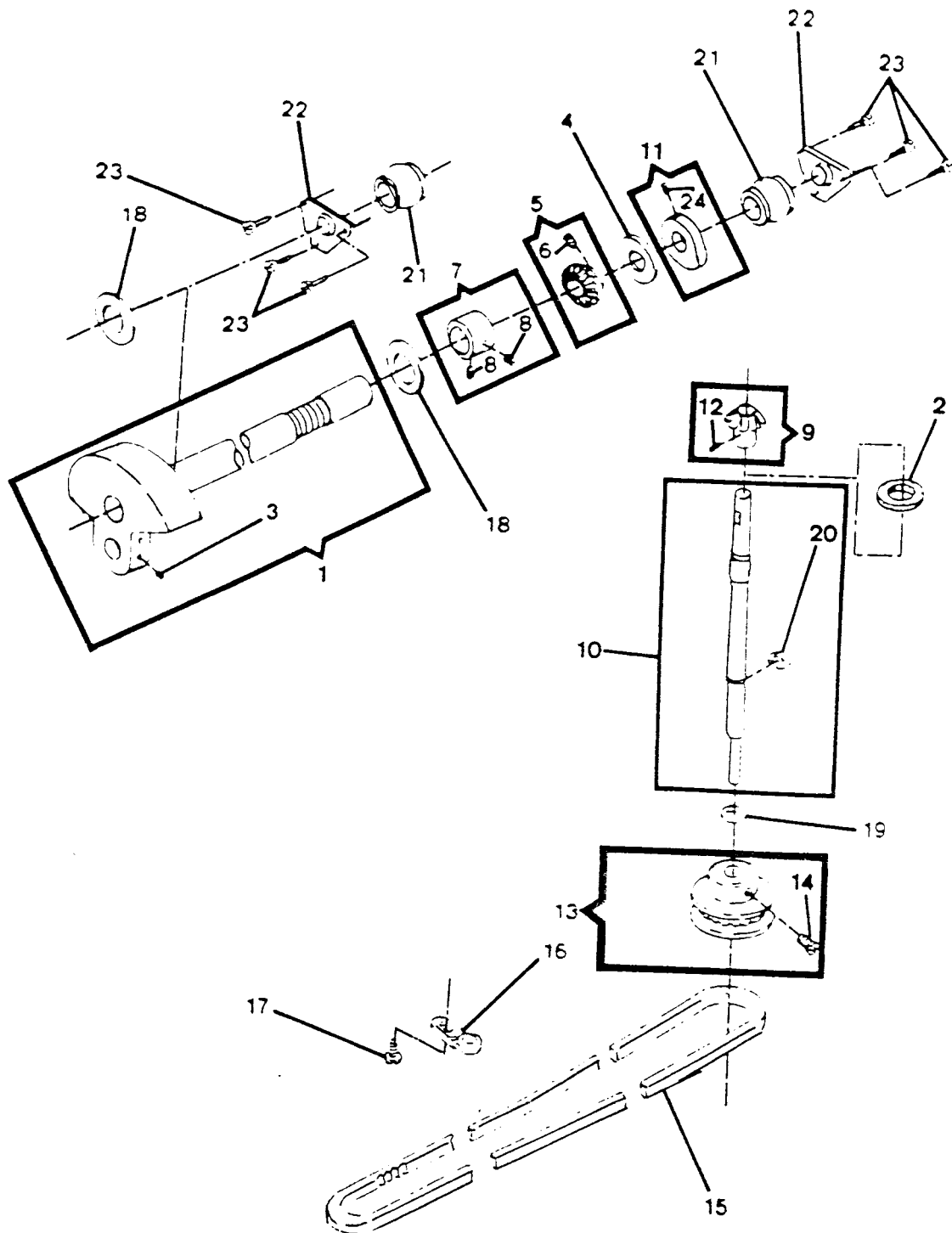
NEEDLE BAR, PRESSER BAR & THREAD TAKE-UP (CONT.)



PART LIST
ARM SHAFT DRIVE

REF.	PART No.	DESCRIPTION
01	531657	ARM SHAFT (HORIZONTAL) COMPLETE
02	356819	ARM SHAFT (UPRIGHT) FELT WASHER
03	354105-833	NEEDLE BAR CRANK POSITION SET SCREW
04	37294-001	FEED FORKED CONNECTING RETAINING WASHER (PLASTIC)
05	319695	ARM SHAFT (HORIZONTAL) BEVEL GEAR (PLASTIC)
06	354813-451	ARM SHAFT (HORIZONTAL) BEVEL GEAR & FEED LIFTING (ECCENTRIC) SET SCREW
07	353580	ARM SHAFT (HORIZONTAL) RETAINING COLLAR COMPLETE
08	113500-451	ARM SHAFT (HORIZONTAL) RETAINING COLLAR SET SCREW
09	531658	ARM SHADT BEVEL GEAR (UPRIGHT) COMPLETE
10	531659	ARM SHAFT (UPRIGHT)
11	357039	FEED CAM WITH SCREW
12	354105-833	ARM SHAFT (UPRIGHT) BEVEL GEAR (PLASTIC) SET SCREW
13	445543	ARM SHAFT (UPRIGHT) BELT DRIVE PULLEY COMPLETE
14	354906-451	ROTATING HOOK BELT DRIVE PULLEY SET SCREW
15	37977	BELT (ROTATING HOOK DRIVE)
16	531630	ROTATING HOOK DRIVE BELT TENSION ADJUSTED
17	354833-451	ROTATING HOOK DRIVE BELT TENSION SCREW
18	319764	NEEDLE BAR CRANK WASHER (PLASTIC)
19	353394	ARM SHAFT (UPRIGHT) RETAINING RING WASHER
20	353215	ARM SHAFT (UPRIGHT) RETAINING RING
21	446384	ARM SHAFT BUSHING (LEFT & RIGHT)
22	446385	ARM SHAFT BUSHING RETAINING PLATE
23	113455-001	ARM SHAFT BUSHING RETAINING BRACKET SCREW
24	354813-451	FEED CAM SET SCREW

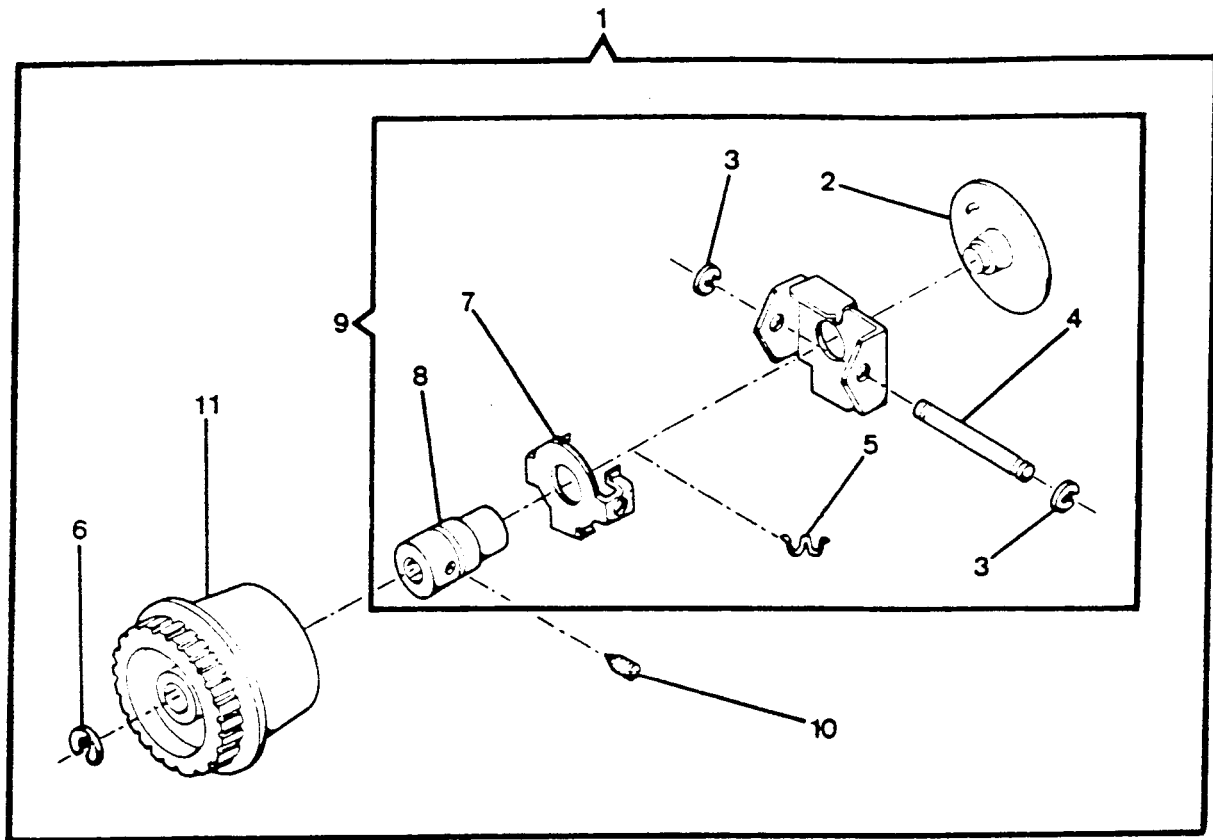
ARM SHAFT DRIVE



PART LIST
HAND WHEEL

REF.	PART No.	DESCRIPTION
01	357009-451	HAND WHEEL COMPLETE
02	446297-904	HAND WHEEL DISENGAGING CLUTCH ENGAGING PLATE COVER
03	445721	HAND WHEEL DISENGAGING CLUTCH ENGAGING PLATE HINGE PIN RETAINER RING
04	319560	HAND WHEEL DISENGAGING CLUTCH ENGAGING PLATE HINGE PIN
05	531628	HAND WHEEL DISENGAGING CLUTCH ACTUATING SPRING
06	446387	HAND WHEEL RETAINING RING
07	319566	HAND WHEEL DISENGAGING CLUTCH BUSHING PLATE
08	446390	HAND WHEEL DISENGAGING CLUTCH BUSHING
09	446343-453	HAND WHEEL DISENGAGING CLUTCH BUSHING COMPLETE
10	354813-451	HAND WHEEL DISENGAGING CLUTCH BUSHING SCREW
11	356958-451	HAND WHEEL

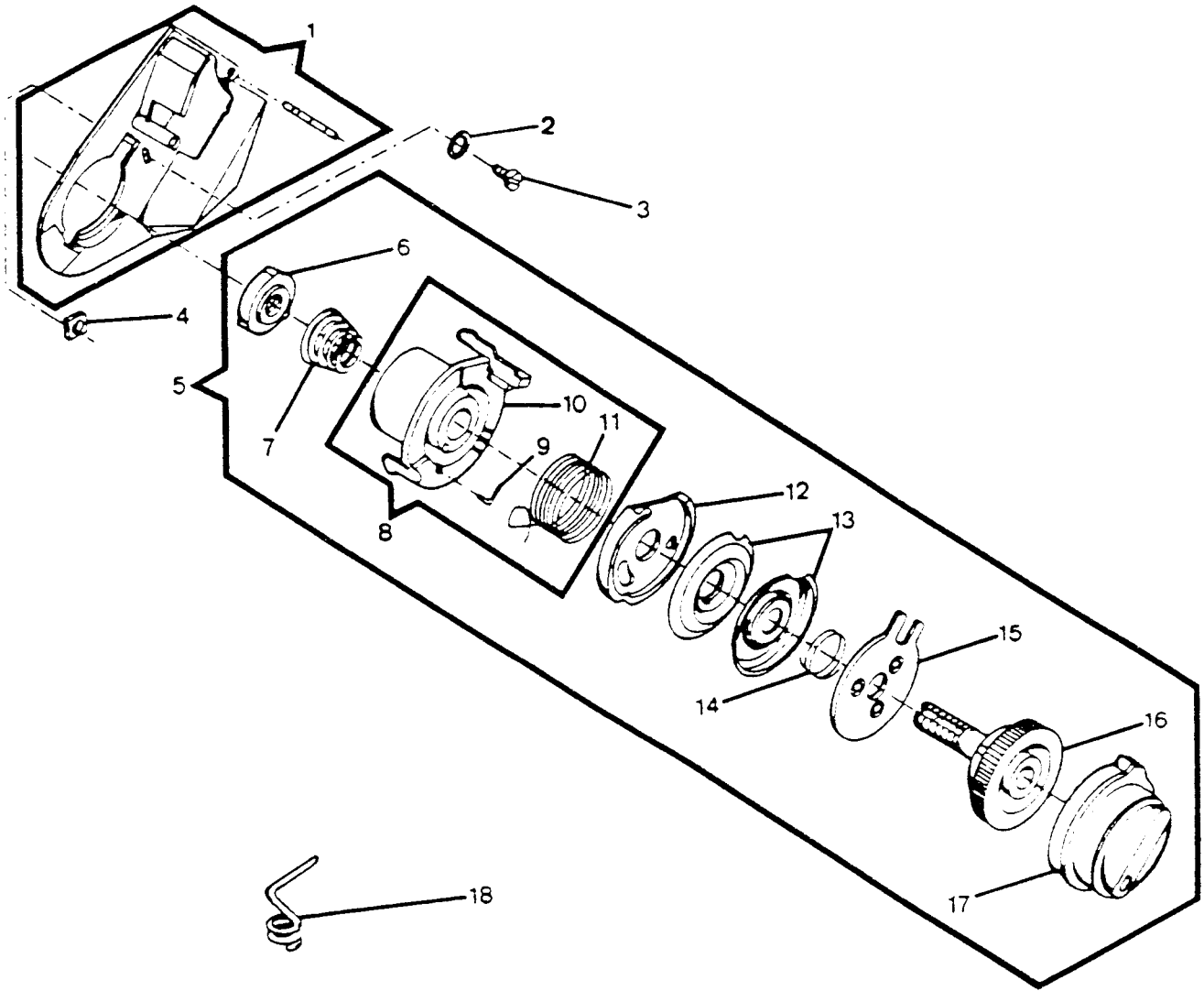
HAND WHEEL



PART LIST
TENSION MECHANISM

REF.	PART No.	DESCRIPTION
01	356040-452	TENSION MECHANISM SHROUDER ASSEMBLY
02	356443	TENSION MECHANISM SHROUDER SECREW WASHER
03	141808-457	TENSION THREAD GUIDE SCREW
04	514698-451	TENSION THREAD GUIDE SCREW NUT
05	356088-457	TENSION MECHANISM SUPPORT ASSEMBLY
06	356095	TENSION STUD NUT
07	356096	TENSION SPRING
08	356245	TENSION MECHANISM SUPPORT ASSEMBLY
09	356246-900	TENSION MECHANISM SUPPORT PIN
10	356089	TENSION MECHANISM SUPPORT
11	356097	THREAD TAKE-UP SPRING
12	356091	THREAD TAKE-UP SPRING THREAD GUARD
13	356094	TENSION DISC
14	356216	TENSION DISC PRESSURE PLATE SPRING
15	356177	TENSION DISC PRESSURE PLATE
16	356092-451	TENSION INDICATOR WITH STUD
17	356090-457	TENSION INDICATOR DIAL
18	445784	THREAD GUIDE (LOWER)

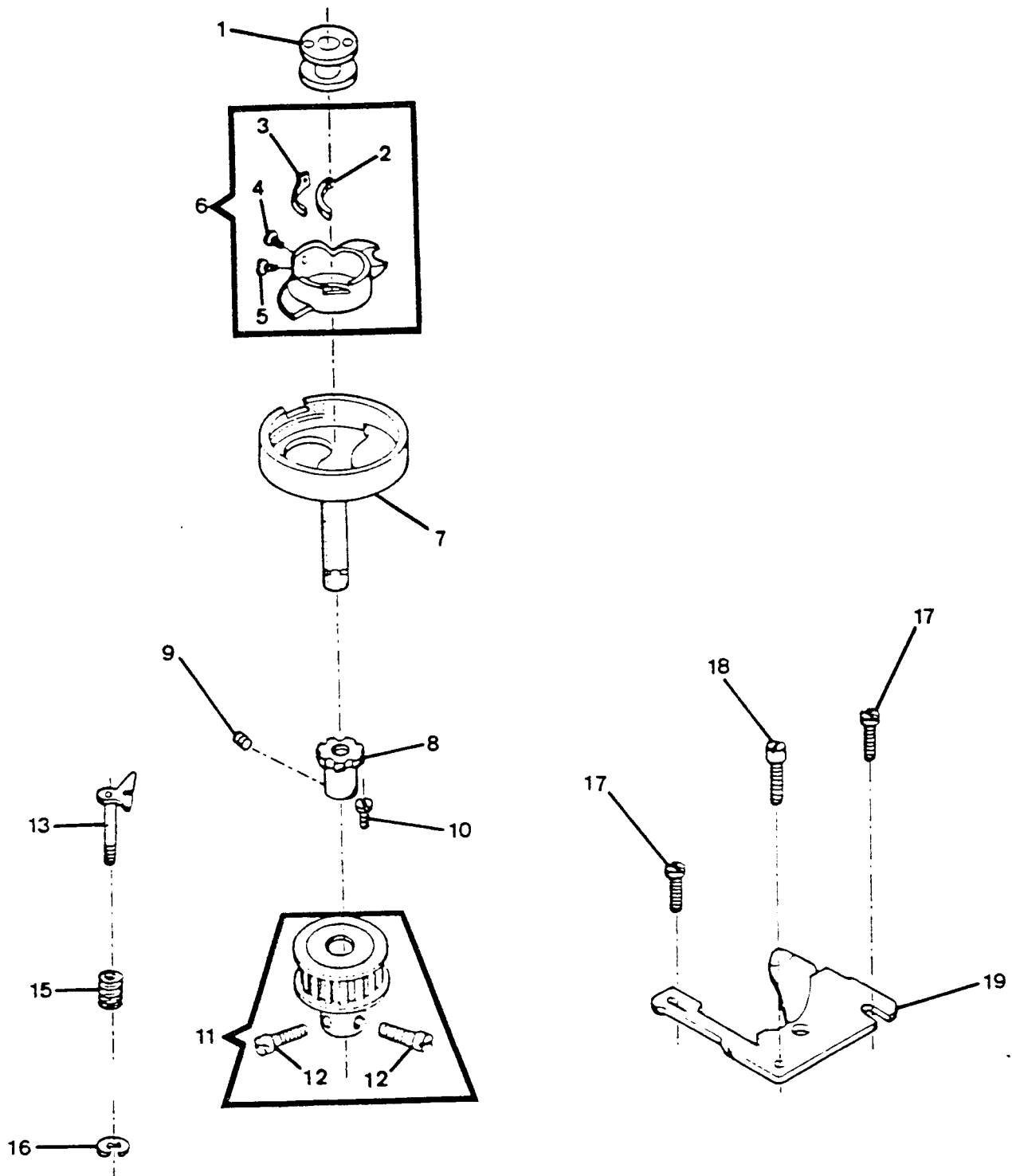
TENSION MECHANISM



PART LIST
HOOK SYSTEM

REF.	PART No.	DESCRIPTION
01	172336	BOBBIN (PLASTIC)
02	356490-451	ROTATING HOOK BOBBIN CASE TENSION SPRING SEGMENT
03	314715	ROTATING HOOK BOBBIN CASE TENSION SPRING
04	355254-451	ROTATING HOOK BOBBIN CASE TENSION SPRING
05	139975-452	ROTATING HOOK BOBBIN CASE TENSION SPRING SEGMENT SCREW
06	421325	ROTATING HOOK BOBBIN CASE COMPLETE
07	356720	ROTATING HOOK
08	353410-900	ROTATING HOOK FLANGED BUSHING (ECCENTRIC)
09	141925-833	ROTATING HOOK FLANGED BUSHING SET SCREW
10	139943-803	ROTATING HOOK FLANGED BUSHING (ECCENTRIC) POSITIONING ADJUSTING SCREW
11	445559	ROTATING HOOK BELT DRIVE PULLEY COMPLETE
12	354906-451	ROTATING HOOK BELT DRIVE PULLEY SET SCREW
13	353511	ROTATING HOOK BELT BOBBIN CASE RETAINING PLATE ASSEMBLY
15	44892	ROTATING HOOK BOBBIN CASE RETAINING PLATE STUD SPRING
16	446417	ROTATING HOOK BOBBIN CASE RETAINING PLATE RING
17	354917-451	ROTATING HOOK BOBBIN CASE POSITION PLATE SCREW
18	354917-451	ROTATING HOOK BOBBIN CASE RETAINING PLATE (ADJUSTABLE & POSITION PLATE SCREW)
19	44873-001	ROTATING HOOK BOBBIN CASE POSITION PLATE

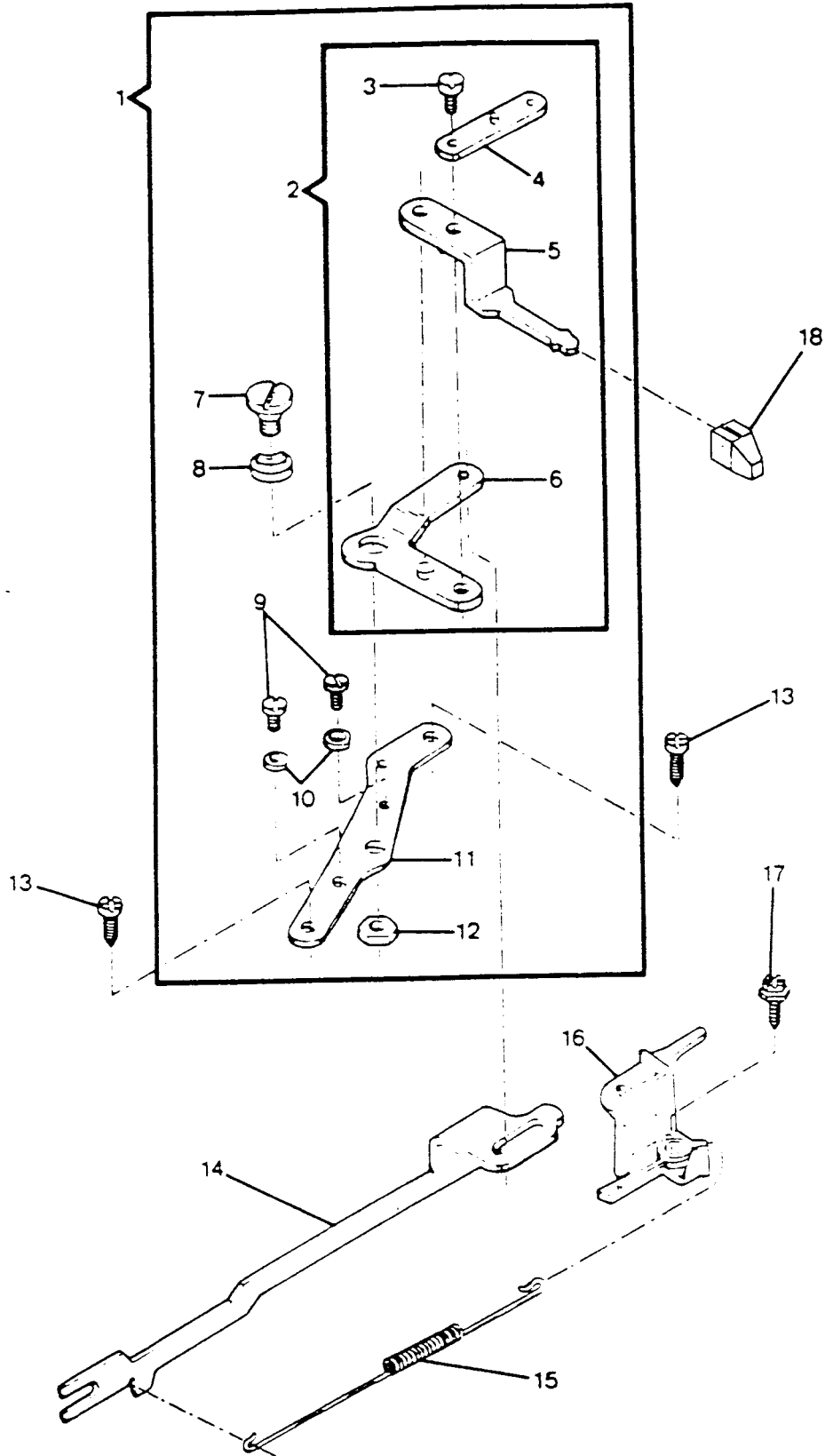
HOOK SYSTEM



PART LIST
BIGHT AMPLITUDE

REF.	PART No.	DESCRIPTION
01	356113	BIGHT AMPLITUDE CONTROL LEVER MOUNTING BRACKET COMPLETE
02	356114	BIGHT AMPLITUDE CONTROL LEVER MOUNTING BRACKET COMPLETE
03	139866-451	BIGHT AMPLITUDE CONTROL LEVER SCREW
04	44556	BUTTONHOLER BIGHT CONTROL CAM FOLLOWER LEVER LINK (LEFT)
05	356061	BIGHT AMPLITUDE CONTROL LEVER
06	37246	BIGHT AMPLITUDE CONTROL LEVER LINK
07	354825-451	BIGHT AMPLITUDE CONTROL LEVER LINK HINGE SCREW
08	49204	BIGHT AMPLITUDE CONTROL LEVER LINK HINGE FRICTION WASHER
09	141913-451	BIGHT AMPLITUDE CONTROL LEVER LINK STOP SCREW
10	446904	BIGHT AMPLITUDE CONTROL LEVER LINK STOP
11	531793	BIGHT AMPLITUDE CONTROL LEVER MOUNTING BRACKET
12	54591-451	BIGHT AMPLITUDE CONTROL LEVER LINK SCREW NUT
13	113455-001	BIGHT AMPLITUDE CONTROL LEVER MOUNTING BRACKET SCREW (LEFT & RIGHT)
14	37933-002	NEEDLE BAR DRIVING ARM
15	37942	NEEDLE BAR DRIVING ARM TENSION SPRING
16	445780	LIGHT LEAD SHIELD & NEEDLE BAR DRIVING ARM TENSION SPRING MOUNTING PLATE
17	113455-009	LIGHT LEAD SHIELD & NEEDLE BAR DRIVING ARM TENSION SPRING MOUNTING PLATE SCREW
18	356204-453	BIGHT AMPLITUDE CONTROL LEVER KNOB

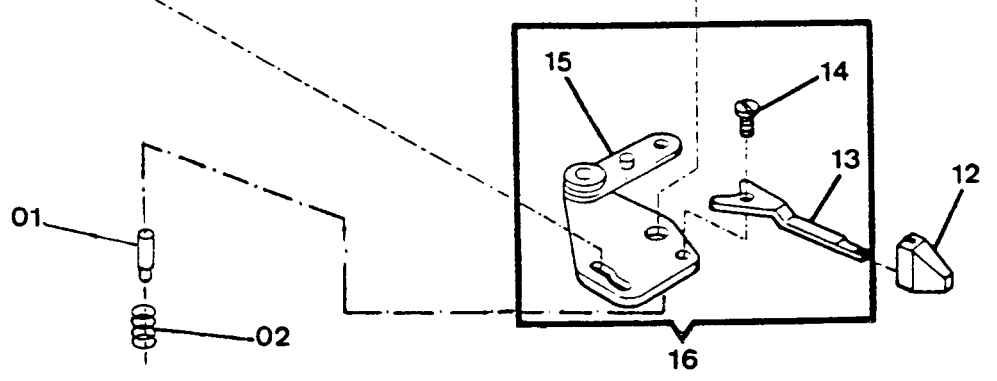
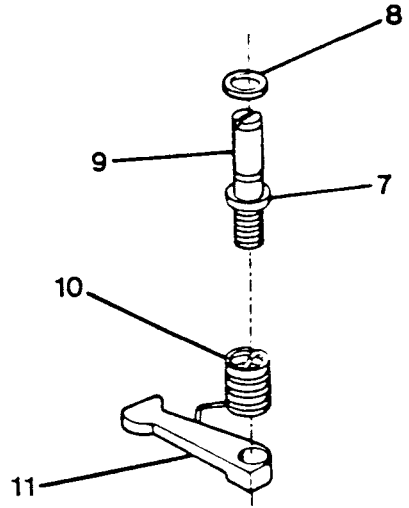
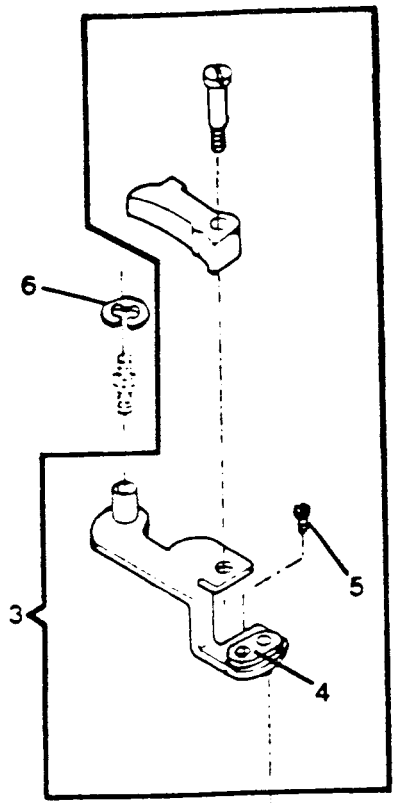
BIGHT AMPLIUDE



PART LIST
NEEDLE POSITION

REF.	PART No.	DESCRIPTION
01	356228	NEEDLE POSITION SELECTOR LEVER BRACKET POSITIONING PIN
02	444800	NEEDLE POSITION SELECTOR LEVER BRACKET POSITIONING PIN BRACKET
03	356636	NEEDLE BAR DRIVING ARM SLIDE BRACKET ASSEMBLY
04	531736	NEEDLE BAR DRIVING ARM SLIDE BRACKET WITH BUSHING
05	141913-451	NEEDLE POSITION LEVER BRACKET STUD SET SCREW
06	445721	NEEDLE BAR VIBRATING BRACKET HINGE PIN RETAINING RING
07	353585	DISC FOLLOWER STUD COLLAR
08	353548	DISC FOLLOWER STUD WASHER
09	353584	DISC FOLLOWER STUD
10	179897	DISC FOLLOWER SPRING
11	446404	DISC FOLLOWER (MACHINED)
12	356204-453	NEEDLE POSITION SELECTOR LEVER KNOB
13	356065	NEEDLE POSITION SELECTOR LEVER
14	141913-451	NEEDLE POSITION SELECTOR LEVER SCREW
15	44628	NEEDLE POSITION SELECTOR LEVER BRACKET
16	356062	NEEDLE POSITION SELECTOR LEVER BRACKET COMPLETE

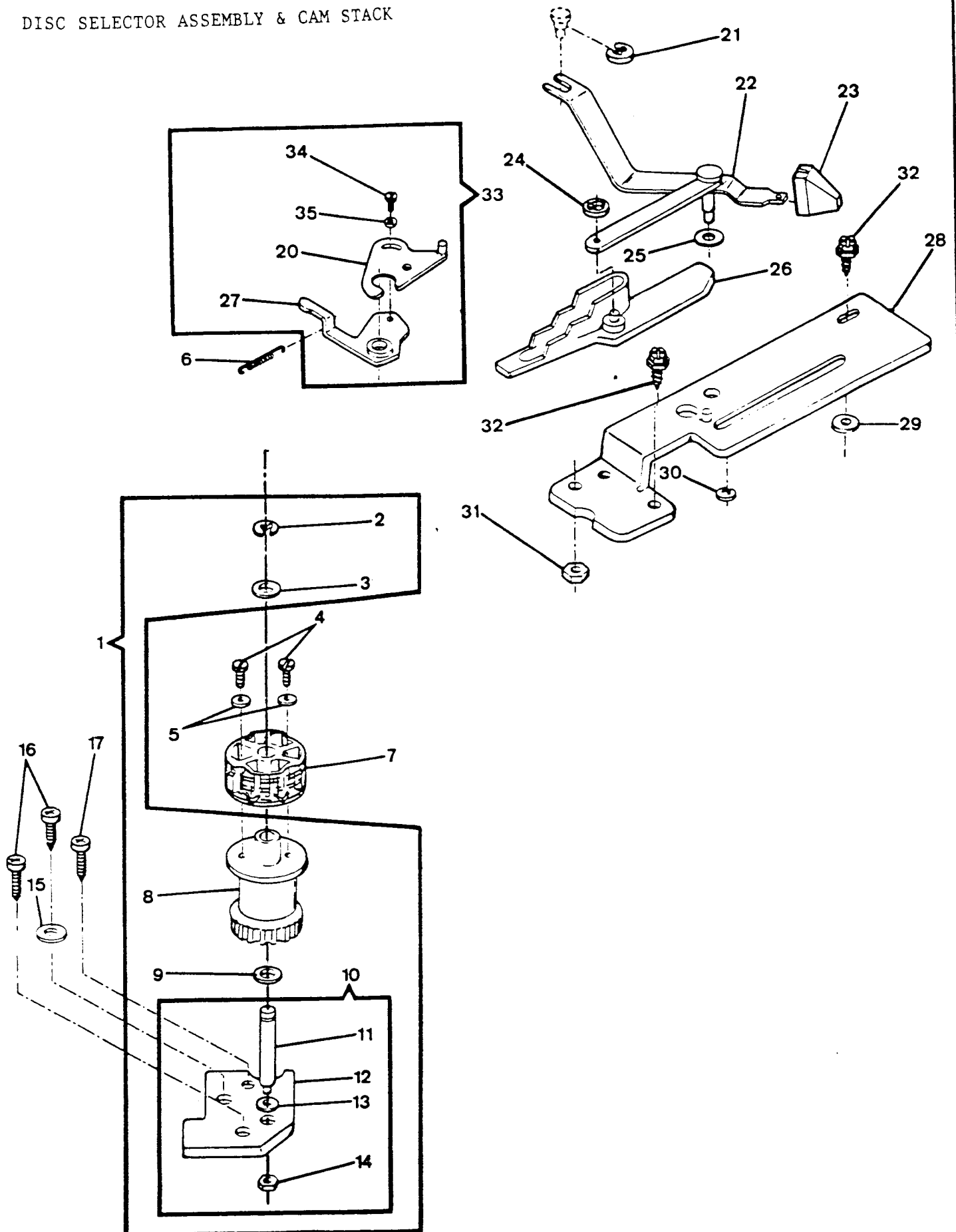
NEEDLE POSITION



PART LIST
DISC SELECTOR ASSEMBLY & CAM STACK

REF.	PART No.	DESCRIPTION
01	353288-930	DISC DRIVING GEAR COMPLETE
02	444921	DISC DRIVING GEAR RETAINING RING
03	444923-453	DISC DRIVING GEAR SHAFT FRICTION WASHER
04	141920-451	DISC STACK POSITIONING SCREW
05	446138	DISC STACK POSITIONING SCREW WASHER
06	446415	DISC FOLLOWER DISENGAGING LEVER SPRING
07	353287	DISC STACK
08	445754	DISC DRIVING GEAR
09	353424	DISC DRIVING GEAR SHAFT SPACER
10	446420	DISC DRIVING GEAR SHAFT MOUNTING PLATE ASSEMBLY
11	446418	DISC DRIVING GEAR SHAFT WASHER
12	353575	DISC DRIVING GEAR SHAFT MOUNTING PLATE
13	353580	DISC DRIVING GEAR SHAFT WASHER
14	53648-451	DISC DRIVING GEAR SHAFT NUT
15	353375-001	DISC DRIVING GEAR SHAFT MOUNTING PLATE SCREW WASHER
16	113435-451	DISC DRIVING GEAR SHAFT MOUNTING PLATE SCREW
17	113455-451	DISC DRIVING GEAR SHAFT MOUNTING PLATE SCREW
18	446411	DISC FOLLOWER DISENGAGING LEVER PLATE ASSEMBLY
19	445486	PATTERN SELECTOR LEVER RETAINING RING
20	356069	PATTERN SELECTOR LEVER COMPLETE
21	356204-453	NEEDLE POSITION SELECTOR LEVER KNOB
22	446417	PATTERN SELECTOR CAM SLIDE CONNECTING LINK RETAINING RING
23	446138	PATTERN SELECTOR LEVER DRIVE STUD WASHER
24	446406	PATTERN SELECTOR CAM SLIDE
25	446412	PATTERN SELECTOR LEVER DRIVE STUD WASHER
26	446405	PATTERN SELECTOR MOUNTING PLATE COMPLETE
27	353488	PATTERN SELECTOR MOUNTING PLATE SPACER
28	408030	PATTERN SLECTOR LEVER RETAINING RING
29	54591-451	DISC FOLLOWER STUD NUT
30	113455-001	PATTERN SELECTOR MOUNTING PLATE SCREW
31	446410	DISC FOLLOWER DISENGAGING LEVER PLATE ASSEMBLY
32	141913-451	DISC FOLLOWER DISENGAGING LEVER PLATE ADJUSTING SCREW
33	445808	DISC FOLLOWER DISENGAGING LEVER PLATE ADJUSTING SCREW WASHER

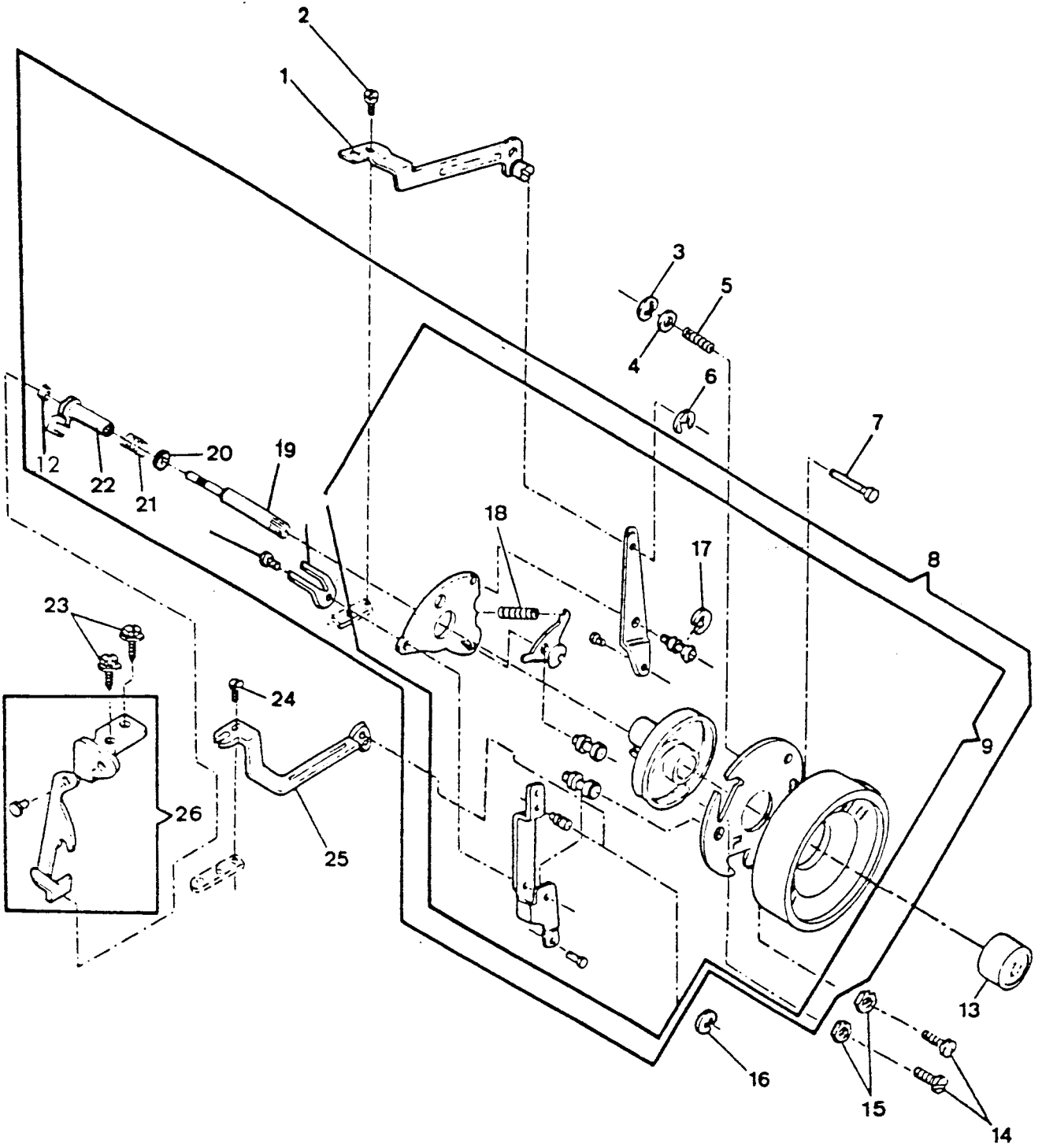
DISC SELECTOR ASSEMBLY & CAM STACK



PART LIST
BUTTONHOLER & FEED REGULATOR CAM

REF.	PART No.	DESCRIPTION
01	353536	BUTTONHOLER NEEDLE POSITION CAM FOLLOWER LEVER LINK (RIGHT) ASSEMBLY
02	141913-451	BUTTONHOLER NEEDLE POSITION CAM FOLLOWER LEVER LINK (LEFT & RIGHT) SCREW
03	408030	BUTTONHOLER & FEED REGULATOR MECHANISM MOUNTING PLATE STUD
04	445808	BUTTONHOLER & FEED REGULATOR MECHANISM MOUNTING PLATE STUD SPRING WASHER
05	179949	BUTTONHOLER & FEED REGULATOR MECHANISM MOUNTING PLATE STUD SPRING
06	445486	BUTTONHOLER NEEDLE POSITION CAM FOLLOWER LEVER LINK (RIGHT) RETAINING RING
07	356230	BUTTONHOLER & FEED REGULATOR MECHANISM MOUNTING PLATE STUD
08	356797-460	BUTTONHOLER & FEED REGULATOR CAM COMPLETE
09	356798-460	BUTTONHOLER & FEED REGULATOR CAM ASSEMBLY
10	113424-451	FEED REGULATOR POSITIONING PIN CARRIER GUIDE BRACKET SCREW
11	353311-900	FEED REGULATOR POSITIONING PIN CARRIER GUIDE BRACKET
12	618638-005	FEED REGULATOR POSITIONING PIN CARRIER INSERT NUT
13	356653-456	FEED REGULATOR POSITIONING PIN KNOB (HOT STAMPED)
14	113513-451	BUTTONHOLER & FEED REGULATOR MECHANISM MOUNTING PLATE SCREW
15	53640-819	BUTTONHOLER & FEED REGULATOR MECHANISM MOUNTING PLATE SCREW NUT INSERT
16	445486	BUTTONHOLER BIGHT CONTROL CAM FOLLOWER LEVER LINK (RIGHT) RETAINING RING
17	353215	BUTTONHOLER NEEDLE POSITION CAM FOLLOWER LEVER RETAINING RING
18	353495	BUTTONHOLER & FEED REGULATOR CONTROL DIAL PAWL SPRING
19	356650	FEED REGULATOR POSITIONING PIN
20	356830-001	FEED REGULATOR POSITIONING PIN WASHER
21	44892	FEED REGULATOR POSITIONING PIN FRICTION SPRING
22	356652	FEED REGULATOR POSITIONING PIN CARRIER
23	113455-001	FEED REGULATOR CONTROL ARM MOUNTING BRACKET SCREW
24	141913-451	BUTTONHOLER BIGHT CONTROL CAM FOLLOWER LEVER LINK (LEFT & RIGHT) SCREW
25	356081	BUTTONHOLER BIGHT CONTROL CAM FOLLOWER LEVER LINK (RIGHT)
26	531650	FEED REGULATOR CONTROL ARM ASSEMBLY

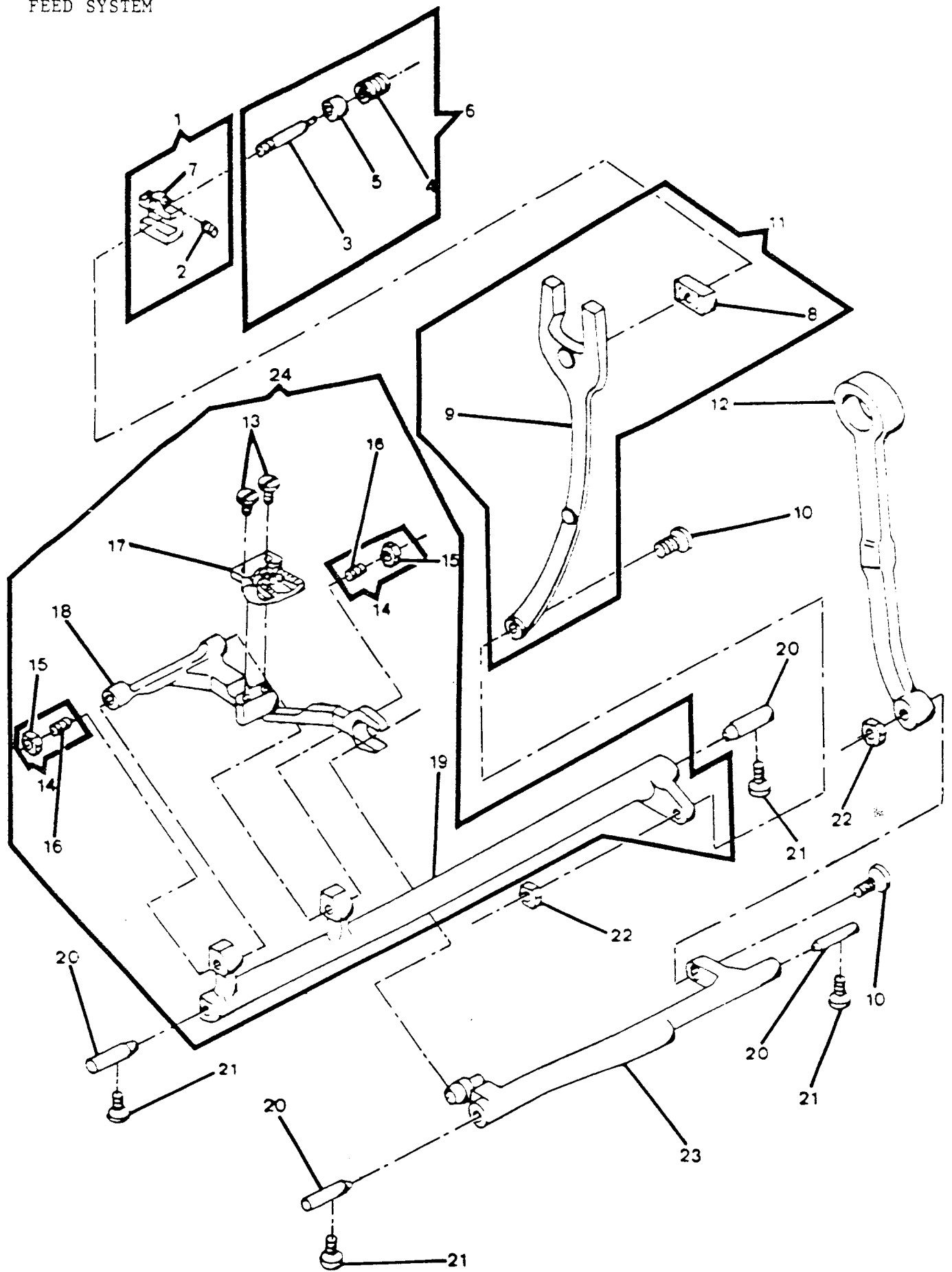
BUTTONHOLER & FEED REGULATOR CAM



PART LIST
FEED SYSTEM

REF.	PART No.	DESCRIPTION
01	531652	FEED REGULATOR COMPLETE
02	141925-833	FEED REGULATOR SET SCREW
03	531818	FEED REGULATOR HINGE STUD
04	445860	FEED REGULATOR RETURN SPRING
05	531819	FEED REGULATOR HINGE STUD SPACER
06	531656	FEED REGULATOR HINGE STUD ASSEMBLY
07	531653	FEED REGULATOR ASSEMBLY
08	44437	FEED FORKED CONNECTING SLIDE BLOCK
09	531669	FEED FORKED CONNECTING WITH STUD
10	141805-850	FEED LIFTING ROCK SHAFT CONNECTING ROD HINGE SCREW (ECCENTRIC)
11	531668	FEED FORKED CONNECTING ASSEMBLY WITH SLIDE BLOCK
12	37288	FEED LIFTING ROCK SHAFT CONNECTING ROD (MACHINED)
13	141808-458	FEED DOF SCREW
14	44505	FEED BAR SCREW CENTER
15	53647-819	FEED BAR SCREW CENTER NUT
16	141921-850	FEED BAR SCREW CENTER
17	531667	FEED DOG (MACHINED)
18	44601	FEED BAR (MACHINED)
19	531666-900	FEED ROCK SHAFT
20	179880-001	FEED LIFTING ROCK SHAFT CENTER (PLASTIC)
21	141925-833	FEED LIFTING ROCK SHAFT CENTER SET SCREW
22	53648-451	FEED FORKED CONNECTING HINGE SCREW (ECCENTRIC NUT)
23	446153	FEED LIFTING ROCK SHAFT COMPLETE
24	531665	FEED ROCK SHAFT COMPLETE

FEED SYSTEM

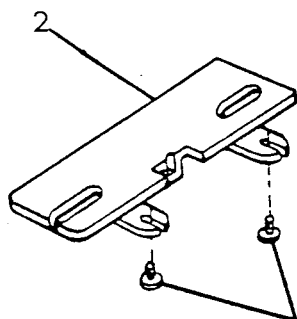
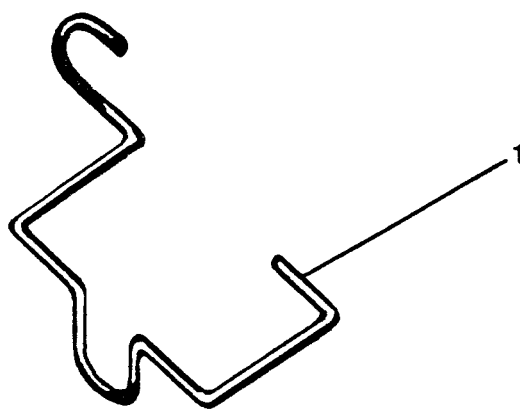


PART LIST
OPTIONS

REF. PART No. DESCRIPTION

01 116863 FINGER GUARD
02 446263-455 BED EXTENSION PLATE

OPTIONS



PART LIST
ELECTRICAL EQUIPMENT

REF.	PART No.	DESCRIPTION
01	605600-004	TIE RAP
02	531627	MOTOR MOUNTING SCREW SPACER
03	988764-002	LIGHT RECEPTACLE HARNESS SURPRESSED COMPLETE
04	353518-001	MOTOR BELT
05	113455-001	LIGHT LEAD WIRE RETAINER MOUNTING SCREW
06	353247	LIGHT LEAD WIRE RETAINER
07	988076-001	LAMP (120V)
07	988076-003	LAMP (220V)
08	354592-451	LIGHT SOCKET MOUNTING SCREW
09	113372-451	MOTOR GUIDE PIN MOUNTING BRACKET SCREW
10	446470	MOTOR GUIDE PIN MOUNTING BRACKET ASSEMBLY
11	313470-452	MOTOR GUIDE PIN MOUNTING BRACKET SCREW NUT
12	446473	MOTOR BELT TENSION SPRING
13	446475	MOTOR GUIDE PIN BUSHING
14	362095-001	CONTROLLER
15	179910-451	LIGHT SHIELD WITH GRAPHICS (FOR USA/CANADA)
16	362057-001	LIGHT COMPLETE
17	362175-001	MOTOR COMPLETE
18	988752-008	SERIES MOTOR MODULE
19	605600-004	TIE RAP
20	988760-002	COMMUTATOR END
21	988763-002	SWITCH
22	603907-001	MOTOR MODULE NUT
23	988761-001	MOTOR PULLEY
24	113370-451	MOTOR MOUNTING PLATE SCREW
25	446476	MOTOR MOUNTING PLATE
26	353355	MOTOR MOUNTING PLATE CUSHION
27	446479	MOTOR MOUNTING PLATE COMPLETE
28	988887-001	MOTOR BELT SCREW CAP
29	113343-451	MOTOR BELT SCREW
30	179887	MOTOR BELT SCREW NUT
31	445439	MOTOR ADJUSTING SCREW LOCK NUT WASHER
32	357093-451	MOTOR ADJUSTING SCREW LUCK NUT

ELECTRICAL EQUIPMENT

