



OPERATING & MAINTENANCE MANUAL



SHARON BRUSH CARPET & UPHOLSTERY EXTRACTOR

**Read Safety & Operating Instructions
Before Commencing Operation**

THESE INSTRUCTIONS MUST BE READ AND ADHERED TO BEFORE OPERATING THIS MACHINE.

INTRODUCTION

Your new Kerrick Upholstery/Carpet cleaning machine is a wise investment. Manufactured in Italy this is a high quality unit that if treated properly will give many years of service. To get the best from your Kerrick machine we suggest you follow the operating and maintenance details contained in this document.

SAFETY MANAGEMENT PROCEDURES

These Instructions must be read and adhered to before operating this machine. Failure to do so may result in injury to the operator, nearby persons, or damage to property, or this machine.

- The packaging around the cleaner (plastic bags, clips, ties etc) pose a choking hazard and should be kept out of the reach of children and animals.
- This machine is not designed to be used by children or mentally disabled individuals and if used incorrectly can be harmful.
- The end of the suction hose / accessories must be kept away from your face and the faces of others at all times during operation as the suction created can cause damage to the eyes, ears and mouth in particular.
- This machine is **NOT** intended for use on animals.
- Do not use adapters or multiple sockets, without knowing the electrical input of each user.
- If any electrical extension is used, check that it corresponds to the absorbed power of the machine and that the connection of the plug with the socket is complying and sealed.
- Take care of the electrical cable. It must be protected from water, tears and chemical agents. Do not repair the cable in case of tears, but replace it with a new one. The cable must be replaced by the manufacturer or its service agent or a similarly qualified person in order to avoid further hazard.
- **DO NOT** pull the cable to drag the machine or to pull the plug out.
- Pull the plug out only when the machine is switched off.
- **DO NOT** handle the plug with wet hands.
- Unplug cable before servicing machine.
- **DO NOT** spray water near electrical outlets.
- **DO NOT** use the machine to spray or to suck corrosive liquids (acids or bases) and explosive or flammable liquids.

- Never use flammable liquids or operate machine in or near flammable liquids, vapors or combustible dusts.
- When using the unit as a wet vacuum cleaner, you must check the level of water in the recovery tank, to ensure it doesn't get to high. If water is sucked into the motor it can cause electrical damage.
- If the chemical you are using produces foam, or if you are cleaning carpet previously treated with shampoo, you must add anti-foaming liquid into the recovery tank. Foam sucked up by unit that gets into the motor can cause damage over the long term.
- Should the machine leak liquid or foam, make strange noise or get abnormally hot switch off the machine immediately and take it in for a service.
- This extractor should **NEVER** be immersed in water.
- **DO NOT** use solvent or strong detergents to clean this machine.
- When using warm water for upholstery/carpet cleaning the water temperature **MUST NOT EXCEED 60°C**
- Store the machine, well cleaned, in a cool and dry place.

WARNINGS:

- All the electrical repairs must be performed by qualified personal only!
- Kerrick cannot be held responsible for any damage/injury caused to persons or property, because of the incorrect use of the machine due to procedures being used which are not specified in this instruction manual.

THE CLEANING SYSTEM – INJECTION EXTRACTION

Carpets are a natural dust trap and breeding ground for germs and therefore require a professional clean from time to time.

Kerrick's hygienic and easy to use system injects water mixed with detergent into the pile of the carpet dissolving dirt and grime that has become trapped there. As the carpet is being shampooed the waste water is sucked back up into the extraction machine making for mess free, easy cleaning and quicker drying times.

To avoid causing any damage to the fibres of the carpet ensure you read and adhere to all the instructions for both the extractor machine and the chemical detergent. As a precaution always test a small area of the carpet first.

For an extra strength clean, fill the tank with water and detergent and spray the carpet without using any suction. Allow the solution to sit in the carpet and break down the dirt for a few minutes. Then go over the area again with the injection extraction system but this time using only clean water and **NO** detergent.

OPERATION INSTRUCTIONS FOR ELITE-SILENT

The Sharon-Brush is designed to clean large areas of carpet and hard floor, without the need for external accessories, as the washing device is located below the body of the machine.

It is also possible to clean upholstery, inside of cars or hard-to-reach areas, by using additional accessories, which must be connected to the machine with connecting hoses (see paragraph Use with Accessories).

Its body is composed of two high-density polyethylene tanks, kept together with elastic hooks. The upper tank is meant to contain the dirty water sucked from the carpet, while the lower tank is meant to contain clean water and detergent.

The lower tank also contains the vacuum motor, the pump and the control panel. The vacuum head, the spray nozzle and the rotating brush are situated below the lower tank.

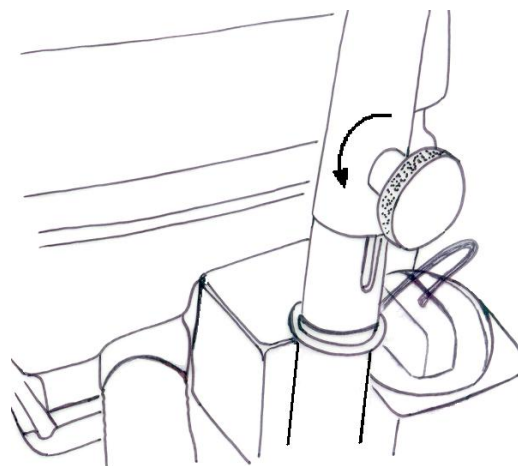
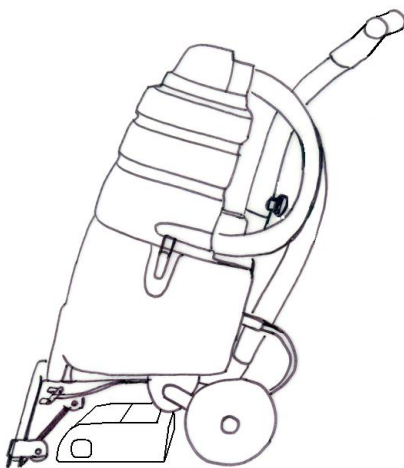
ATTENTION:

- **DO NOT** use the machine as a vacuum cleaner!
- **DO NOT** let the pump run without any water in it! Check periodically the level of water in the lower tank, while using the machine. As soon as it becomes empty you must switch off the machine, empty the upper tank (which then will be full) and refill the lower tank before activating the pump.
- Wool carpet must be washed with **cold water only!**

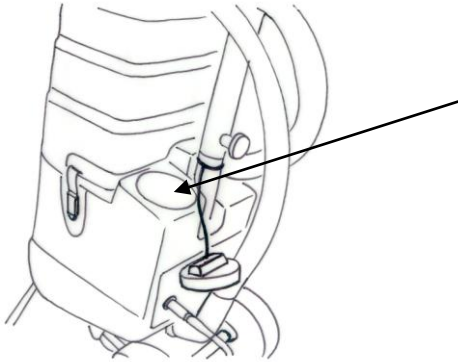
Machine Set Up

The following steps explain the necessary operations to prepare the machine for use:

- 1) Put the machine in the normal working position and adjust the handle to a height that is comfortable for you.



- 2) Fill in the lower tank (solution tank) with cold or warm water, through the filling hole, adding a 5% of not-foaming detergent (1/2 liter each 10 liters). Higher concentrations can be used in case of particularly dirty surfaces.

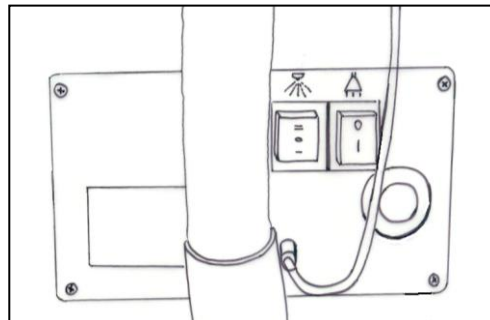


➤ **BECAREFUL** not to over fill the lower tank. Water overflowing from the tank can cause the electronics on the system to short. Always take care when using water around electrical items.

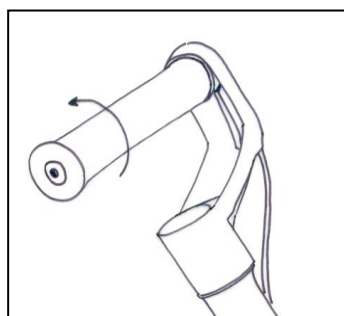
- 3) Close the filling hose with the cap.
- 4) Insert the plug of the cable into a wall socket.

Washing Carpet & Hard Floors

The Sharon Brush washes and dries with the spray nozzle and the vacuum head which are situated below the body of the machine. To switch on the machine you must use the switches on the control panel:



- 1) Set vacuum motor switch to position "I".
- 2) Set the pump switch to position "I". At this setting the solution pump works only while you rotate the hand grip of the machine.



- 3) To clean carpets, rotate the lever on the vacuum head towards the right side. To clean hard floors, rotate it towards the left side.



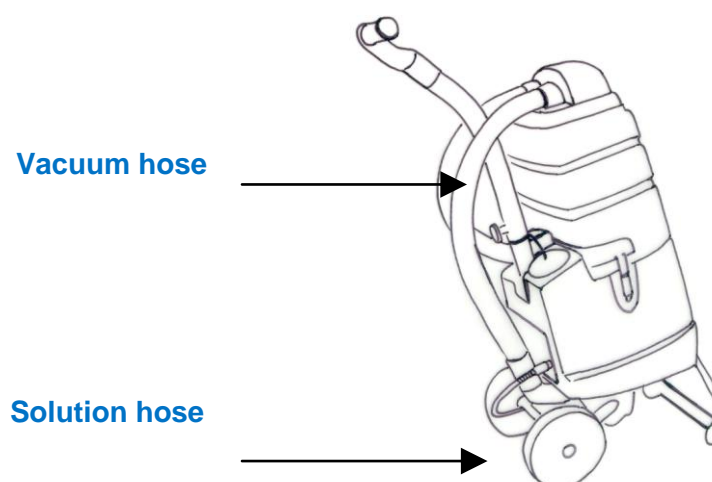
- 4) To activate the rotating brush switch on the power brush motor, also activate the correspondent luminous switch, located in the near the vacuum head.
- 5) Slowly drag the Sharon Brush across the carpet allowing the injection extraction to break down dirt and suck up the waste water into the extractor. Repeat the process over the entire carpet area, and then leave to dry with the windows open for a few hours.

Using Accessories to Clean Small Areas & Upholstery

After filling the tanks with solution and inserting the plug in the wall outlet, you need to perform the following operations:

- 1) Connect the machine to the wand or to the hand-tool using the solution and vacuum hoses. To connect the hoses to the machine, remove the vacuum hose (which connects the upper tank to the vacuum head) and the solution hose (which connects the pump to the spraying nozzle, situated under the machine).

At this point it is possible to connect the accessories to the machine, through the special connecting hoses.



- 2) Switch on the vacuum motor by setting their switch to position "I", and the pump by setting the switches to position "II". In this way the solution pump always works and it is not necessary to keep pressed the control lever situated on the control panel.
- 3) To spray water you need to press the lever situated on the handle of the accessory.

Maintenance

The Sharon Brush is a commercial machine with 1 year commercial warranty against manufacturing defects. Faults due to improper use are not covered by warranty. For further details regarding warranty, contact the distributor supplying the machine or view the products warranty page on the Kerrick website.

To get the best value for money and to improve the longevity of your machine take note of the following advice:

- 1) After each use, before storing the machine, remove all the water from the solution and recovery tank. Put a couple of liters of clean water into the solution tank and using the pump only, press the lever of the solution valve to clean the internal parts of the pump, of the couplings and nozzles, removing the detergent residues.
- 2) After every use, store the machine in a cool, dry place with the cover open, to prevent humidity and mould forming inside the recovery tank and on the internal parts of the vacuum motor, damaging it. The damage provoked by humidity that condenses on the motor (like the damage caused by the foam sucked by the motor) is not covered by warranty.
- 3) Periodically clean the water filter, extracting it from the machine and rinsing it under flowing water.
- 4) Eliminate the lime that in time deposits inside the hydraulic circuit of the machine, by putting some anti-lime solution in the solution tank and leaving it for two to three hours. Then empty the tank and rinse. You should do this every 6-8 months.
- 5) Periodically check and clean the filter of the vacuum motor, which is located under the transparent circular cover of the upper tank.
- 6) Periodically check the consumption of the carbon brushes in vacuum motor. This check should be done after 500 working hours.
- 7) Worn-out carbon brushes may result in damage to the vacuum motor or pump, which are not covered by warranty. The check of carbon brushes should be done by a trained technician.
- 8) Periodically check that the brush rotates without problems and remove anything that prevents a free rotation. In case of difficulties, contact a trained technician.

NOTE: Incorrect use or failure to follow operating and maintenance procedures may produce an injury to a person or damage to the equipment.

IF ANY ASSISTANCE IS REQUIRED CONTACT YOUR NEAREST KERRICK BRANCH, SERVICE AGENT OR DISTRIBUTOR.

- **NEW ZEALAND:** 0800 2 KERRICK (0800 253 774)
- **AUSTRALIA :** 1300 KERRICK (1300 537 742)

KERRICK SERVICING

Kerrick's workshop facilities are staffed by experienced technicians providing servicing, repair and manufacturing for a range of products including; extractors, vacuum cleaners, water blasters, pressure cleaners, pumps and more.

We work on everything from commercial and light industrial to large heavy duty equipment and offer customized design build services. We also warehouse and ship a comprehensive range of spare parts for your convenience.

For more information on your product, to book in a service or repair or to order spare parts give Kerrick a call or send through and enquiry on our website. Contact details can be seen below:

KERRICK NEW ZEALAND
0800 2 KERRICK (0800 253 774)
SALES@KERRICK.CO.NZ
WWW.KERRICK.CO.NZ

KERRICK AUSTRALIA
1300 KERRICK (1300 537 742)
SALES@KERRICK.COM.AU
WWW.KERRICK.COM.AU