

Guangzhou Junliye Import&Export Co., Ltd.

Low Rise Hydraulic Lift

CWSL270

User's Manual



OPERATION MANUAL

Index

I. Purpose and Features.....	2
II. Main Specifications.....	2
III. Structures.....	2
IV. Installation and Adjustment.....	2
V. Operating Methods and Matters Needing Attention.....	3
VI. Parking List.....	3
VII. CWSL270 split graphVIII. Problems and Solutions.....	4

I. Purpose and Features

CWSL270 low rise hydraulic lift is an Ideal choice for vehicle body service and workshop. Moveable design let it can be used flexibly in the workshop with low layer, which is suitable for maintenance and repair of light car with 2700Kg.

II. Main Specifications

Lifting capacity	2700Kg
Lifting height	1200mm
Min height	126mm
Lifting time	30s
Lowering time	25s
Power	1.5Kw
Power supply	220V/50Hz 380V/60Hz

III. Structures

CWSL270 Low Rise Lift is composed of support board, platforms, arm structure and motor. Unique design of fixed rack can be connected with the lift. It can be moved easily. The safety structure is adapted automatic safety release system. It's not only safe and reliable, but easy to operate.

IV. Installation and Adjustment

Operators must read and understand the user's manual completely before being allowed to operate. Check the components and spare parts as listed in the user's manual.

- 1). Open the spare parts box, and unpack the accessories' package to check the spare parts.
- 2). Fix the motor on the fixed rack with screws.
- 3). Connect the motor and car lift with oil pipe (put on the oil seals).
- 4). Add 68# anti-wear hydraulic oil 8L.
- 5). Get through power cord, make sure the power voltage is matched with the machine, 220V or 380V.
- 6). Start the motor. Fix on the arm structure when the lift ascends to a proper height..
- 7). Spread butter on the safety structure, and make the lift up and down two times to make sure the lift can be operated smoothly. Then it can be put into use.

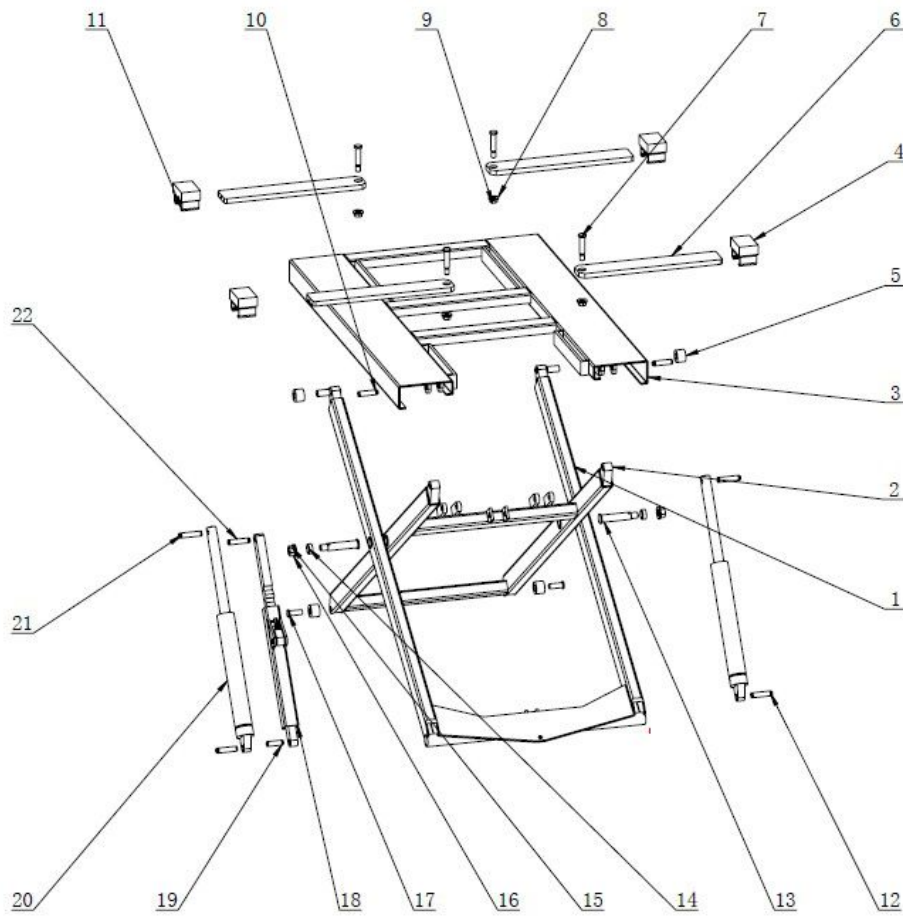
V. Operating Methods and Matters Needing Attention

- 1). Descend the lift to the lowest height, put the arms on the platform, drive in the car or put the car under the vehicle directly.
- 2). Adjust arms and lifting pads to make them on the center of bearing part.
- 3). Press the up button to let the pump running, arms will ascend with machine, when wheels are out of floor, stop to check the bearing part, make sure whether it is reliable, whether the vehicle is on the balance condition. Operation can be continued when no abnormality was found. When the lift ascends to the ideal height, press the down handle to let the pawl under the support of gear rack.
- 4). When descending is needed, press the up button to let the pawl out of gear rack, when the little paw fall into the space of gear rack, press the down button, safety system will be opened automatically to let the lift go down.
- 5). Descend the lift to the lowest height, move the arms away, Then the vehicle can be driven out of the area.
- 6). During the process of ascending and descending, people are forbidden to stay under the vehicle.
- 7). When the lift is ascended for repair vehicle, check the safety lock to make sure it is locked, then maintenance and repair can be started.
- 8). Overload is forbidden, when the lifting sound is abnormal or the lift can not be started, operation should be stopped. Check and solve the problems, then it can be used continually.
- 9). Add lubricating oil regularly
- 10). Hydraulic oil should be changed when the machine used for 3 months, from then on, change the oil once each year.

VI. Parking List

Main parts	1pcs
Pump	1pcs
Fixed rack	1pcs
Spare parts	1pcs

VII. CWSL270 split graph



22	Block hinge axis-74	1
21	Block hinge axis-78	2
20	Oil cylinder-60	1
19	Block hinge axis-54	1
18	Safety structure	1
17	Wheel axis-inner arm	2
16	Washer 24	2
15	Nut M24	2
14	Sleeve 30-15	2
13	Axis-2.7	2
12	Block hinge axis-70	2
11	Support board	4
10	Block hinge axis	2
9	Nut M18	4
8	Washer 18-5	4
7	Support arm axis	4
6	Support arm	4
5	Wheel	4
4	Rubber pad	4
3	Platform	1
2	Inner arm	1
1	Outer arm	1

VIII. Problems and Solutions

Problems	Reasons of the problems	Solutions
The electric motor isn't running	Poor connection of electric wire	Check and well connect the wire
	Damage in electrical apparatus element	Check and repair or replace it
	Damage in electric motor	Repair or replace the electric motor
The electric motor is running but the carriage isn't ascending	Motor reversal	Change the way of wire connection
	The Overflow valve is always open	Readjust the oil pressure or solve the overflow valve problem
	Damage in gear pump	Change the gear pump to a new one
	Hydraulic oil is not enough	Add hydraulic oil
	Damage in solenoid valve	Repair or replace the exchange valve
	The entrance of oil pump sucked in air	Reassemble the imported connector
Slow descending after ascending	Oil leakage in pipeline	Screw the interface of pipeline or change it
	Bad sealing in hydraulic cylinder	Replace the seal components
	Bad sealing in single valve and solenoid valve	Replace the single valve or seal components of solenoid valve
Slow ascending	Blockage in oil filter	Clean the oil screen or change the hydraulic oil
	Serious worn in oil pump	Replace the oil pump
	Hydraulic oil become heat	Change the oil type
	Rotation speed of motor become lower	Repair or replace the electric motor
Slow falling or it does not fall at all	Didn't turn on the safe cog	Whether the air cylinder travel is high enough
	Didn't turn on the gas circuit	Check the air pressure, air pipe and air valve to find out whether they are folded, blocked or damaged
	Improper adjustment in descending flow valve	Readjust the descending speed
	Damage in descending solenoid valve	Replace the solenoid valve
Deviation in platform standard	Leak pressure in oil cylinder	Replace the seal components
	Poor close in adjustment of oil line	Change the adjustment valve of oil line
	Platform happen to move	Readjust the platform level
dissynchronous in lifting between the two scissors	Air in the oil cylinder	Re-dry out the air
	Poor close in adjustment valve	Replace the adjusting valve to cut off spool valve

Guangzhou Junliye Import&Export Co., Ltd.

Product Qualification Certificate

Product name: _____

Product model: _____

Manufacturing code: _____

Shipment date: _____

Quality inspector: _____

The inspection of product accords with standard, is conforming product.

Guangzhou Junliye Import&Export Co., Ltd.

Card of Installation Acceptance

for manufacture

Product name	Product model	Manufacturing code	Shipment date	
Installation unit	Installation personnel 's signature	Installation date	Summary of test with load	
User's name		Use's address, zip code and telephone		
Acceptor's signature		Note		
Records for adjustment of new machine(it means you install the machine without test, initial use and so on)				
No.	Date	Reasons and contents of adjustment	Implement unit and adjustment person's signature	Note

Card of Installation Acceptance

for user

Product name	Product model	Manufacturing code	Shipment date	
Installation unit	Installation personnel's signature	Installation date	Summary of test with load	
User's name		Use's address, zip code and telephone		
Acceptor's signature		Note		
Records for adjustment of new machine(it means you install the machine without test, initial use and so on)				
No.	Date	Reasons and contents of adjustment	Implement unit and adjustment person's signature	Note

Product Guarantee Card

User's unit	
Address and telephone	
Equipment name and model	
Shipment No.	
Shipment date	
Specification for using the guarantee card	<p>Dear users:</p> <p>Thank you for using the machine produced by our company, in order to make you safely use the product for a long time, you should let professional to follow the specification and instructions to use and maintain the machine. You can get the following service according to our guarantee card and invoice.</p> <ol style="list-style-type: none"> 1. guarantee scope: from the date you buy our products, the problems caused by following the instructions to use it. 2. guarantee period: one year 3. don't belong to the guarantee range: the damage caused by man-made due to transportation, improper use, insufficient foundation strength, the power is not in conformity with the stipulations. The components which are easy to damage(electrical appliances, rubber pad, slider, steel cable and so on.
Repair records	