



<sup>TM</sup>  
**KORYO**



## USER'S MANUAL



**KRF 1213 RF**  
Easy Breeze

**RECHARGEABLE FAN**  
**AC/DC OPERATED**

## Dear Customer,

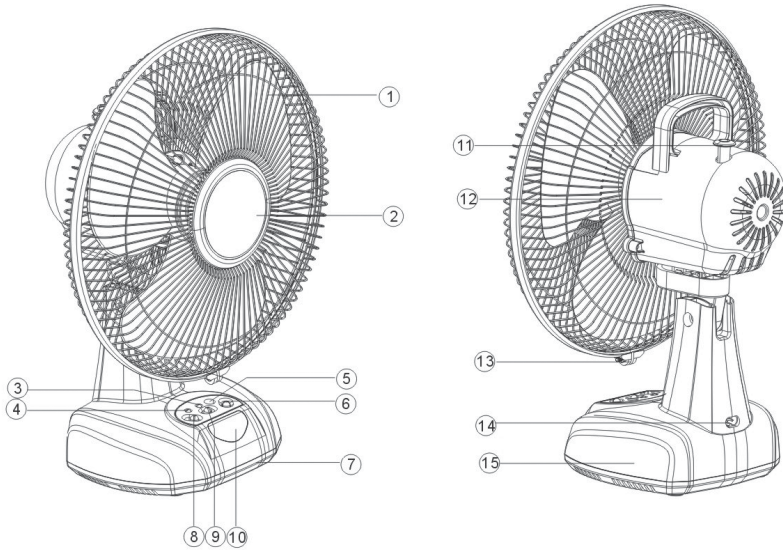
Congratulations! Thank you for buying this KORYO appliance. Your new Rechargeable Fan has been designed for your convenience. We are sure you will get many years of trouble free service from this appliance.

Before commissioning this device please read this user manual carefully. Please retain this user manual, warranty certificate, sales receipt and if possible carton with the inner packaging.

## CONTENTS

Name of Parts .....	3
Important Notice .....	3
How to Operate Fan .....	4
How to have multi-angle tilting oscillating fan.....	4
How to charge.....	4
How to replace the battery.....	5
Specification .....	5
E-Waste Disposal.....	6
Warranty .....	7

## NAME OF PARTS



- |                                  |                               |                              |
|----------------------------------|-------------------------------|------------------------------|
| 1) Front louver                  | 6) DC / OFF / AC fan switch   | 11) Oscillation control lock |
| 2) Protecting cover              | 7) Bottom                     | 12) Gear box                 |
| 3) Red LED charging indicator    | 8) LED switch                 | 13) Louver holder            |
| 4) Green LED operating indicator | 9) Hi / MED / LO speed switch | 14) AC plug socket           |
| 5) DC Socket                     | 10) Night light cover         | 15) Body                     |

## IMPORTANT NOTICE

This appliance is not intended for use by person (including children) with reduced physical, sensory or mental capabilities or lack of experience and knowledge, unless they have been given supervision or instruction concerning use of the appliance by a person responsible for their safety.

Children should be supervised to ensure that they do not play with the appliance.

“X” type supply cord: if the supply cord is damaged, it must be replaced by Koryo original power cord supplied by Koryo authorised service centre.

1. Fully charge the product before use. Read “HOW TO CHARGE”
2. Switch off the product during storage. Periodically charge the product at least 8 hours every three months when storage.
3. Keep out of water or rain for proper use. The perfect working temperature is between 0°C and 40°C.
4. When the product is not operational, do not open or attempt to repair the product and call Koryo authorised service centre.

## HOW TO OPERATE FAN (Fig.1)

The unit can be operated on either AC mains or built-in DC rechargeable battery. See the following chart for operating the functions:

Switch position	Plug the unit into AC mains.	Unplug the unit for using with built-in DC rechargeable battery.
Fan switch AC	Operate any function of the unit on AC power source.	Turn off the functions controlled by switch.
Fan switch DC	Recharge the battery, turn on the battery function controlled by switch.	Operate any function of the unit.
Fan switch OFF	Recharge the battery, turn off the functions controlled by switch.	Turn off the functions controlled by switch.
Fan switch Hi	Set the switch to AC to activate the function of Hi-Speed fan on AC power source.	Set the switch to DC to activate the function of Hi-speed fan on battery.
Speed switch MED	Set the switch to AC to activate the function of MED speed fan on AC power source.	Set the switch to DC to activate the function of MED speed fan on battery.
Speed switch Low	Set the switch to AC to activate the function of LOW speed fan on AC power source.	Set the switch to DC to activate the function of LOW speed fan on battery.

## HOW TO HAVE MULTI-ANGLE TILTING OSCILLATING FAN (Fig.2 & 3)

Pull the fan unit front or back to adjust the angle.

Press the oscillation control lock for having oscillating fan.

Pull out the oscillation control lock for stopping the oscillating function.

Note: Don't use oscillation function when the fan is under forward or back angle tilting

## HOW TO CHARGE

1. Make sure the power supply is consistent with the rating of product before charging.
2. Connect the power supply, the charge indicator lights up to show the product is under charging.
3. The product may become slightly warm during charging.



Fig. 1



Fig. 2



Fig. 3

## HOW TO REPLACE THE BATTERY

1. Shut off the power and stop all functions of the fan.
2. Loosen the screw of the cover, remove the cover, take out the old battery.
3. Replace with the new one and assemble in reverse procedures.

## SPECIFICATION

Power source	: 220-240V, 50Hz
Battery	: 6V, 4.0Ah, C type rechargeable sealed lead-acid batteries
Charge time	: 12-15 hours
Duration	: 120 hours / LED
Fan	: 4.5 Hours / High 7.5 Hours / Medium 12 Hours / Low
Dimension	: 33.6 x 20.6 x 4.7 cm

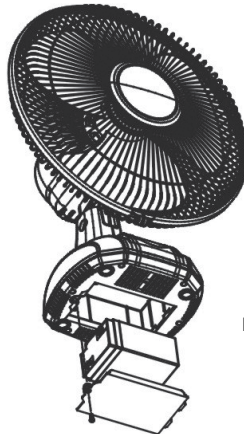


Fig. 4

## E-WASTE DISPOSAL



This symbol on the product or on the container indicates that this product cannot be treated as general waste. The user is responsible for disposing this kind of waste by throwing them away at a “recycling point” specifically for electrical and electronic waste. Selective collection and electrical equipment recycling contribute to preserve natural resources and warrant waste recycling to protect environment and health. In order to receive further information about electrical and electronic waste collecting and recycling, contact your Local Municipal, the service of household waste or the establishment where the product was acquired.

## WARRANTY

This product comes with a warranty of 12 months from the date of purchase as specified on the warranty card. This is against all defective material or workmanship. In the event of a defect, Future Retail Limited or KORYO Authorized Service Centre undertakes to repair the set, free of charge, during the warranty period.

In the event of a defect developing in the product, contact KORYO Customer Care or KORYO Authorized Service Centre and provide information about the defect, the model number and serial number of the product.

### THIS WARRANTY IS VOID IF

1. The completely filled warranty card is not presented to the authorised personnel at the time of servicing of the product.
2. The product is not operated according to the instructions given in the user manual.
3. Defects are caused by improper or reckless use.
4. Modifications or alterations have been made to the product or if the product has been tampered with, in any manner whatsoever.
5. Repairs to the product are carried out by anyone other than an authorised company representative.
6. For defects other than faulty parts or workmanship such as damage due to lightning, abnormal voltage, spillages, dust, accidental damage, etc.
7. The serial number is deleted or altered.
8. Used for any non-domestic purpose.

### OTHER TERMS AND CONDITIONS

1. Repairs or replacement will be carried out either by a Future Retail Limited authorised customer care centre or by a representative.
2. All expenses incurred in collecting the unit(s) or part(s) thereof from the Customer Service Centre, as well as any other expenses and incidentals will be borne by the customer.
3. Whilst the company will make every effort to carry out repairs at the earliest, it is made expressly clear that the company is under no obligation to do so in a specified period of time.
4. The company or its authorised customer centre reserves the right to retain any part(s) or component(s) replaced at its discretion, in the event of a defect being noticed in the equipment during the warranty

### WARRANTY CARD

THIS CARD IS VALID ONLY IF IT IS FILLED IN COMPLETELY,  
SIGNED AND STAMPED BY THE DEALER ON DATE OF PURCHASE

MODEL NO : \_\_\_\_\_ SERIAL NO : \_\_\_\_\_

CUSTOMER NAME : \_\_\_\_\_

ADDRESS : \_\_\_\_\_  
\_\_\_\_\_  
\_\_\_\_\_

PHONE NO : RESIDENCE : \_\_\_\_\_ OFFICE : \_\_\_\_\_

INVOICE/CASH BILL NO : \_\_\_\_\_

DATE OF PURCHASE : \_\_\_\_\_

CUSTOMER SIGNATURE : \_\_\_\_\_

DEALER'S STAMP

\* For service request kindly contact Customer Care Centre at : 1800-425-7722, 080-26577722

\* Please mail in queries to [feedback@koryoworld.com](mailto:feedback@koryoworld.com)



### Also Available

Convection MW Ovens	Slow Juicer	Split Air Conditioner
Grill MW Ovens	Juicer Mixer Grinder	Window Air Conditioner
Oven Toaster Grill	Mixer Grinder	Storage Water Heater
Pop Up Toasters	Juice Extractor	Instant Water Heater
Sandwich Maker	Food Steamer	Immersion Heater
Induction Cooker	Chopper	Room Heaters
Electric Cooker	Steam Iron	Vacuum Cleaner
Electric Kettle	Dry Iron	Washing Machine
Coffee/Tea Makers	Ceiling Fans	Emergency Light
Hand Blender	Hair Dryer	Stabilizer



Imported by:

**Future Retail Limited**

Tower C, 9th Floor, 247 Park, L.B.S. Marg, Vikhroli (West),  
Mumbai - 400 083, Maharashtra, India.