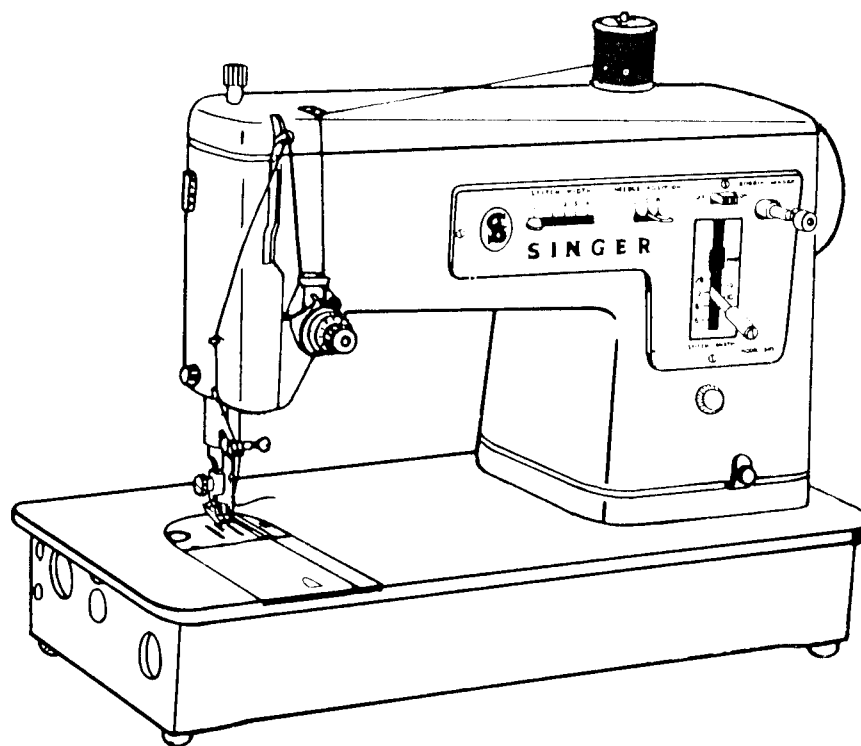


SINGER
347K

MACHINE NO. 347 K

List of Parts— SINGER* Machine No. 347 K



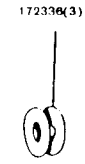
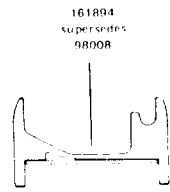
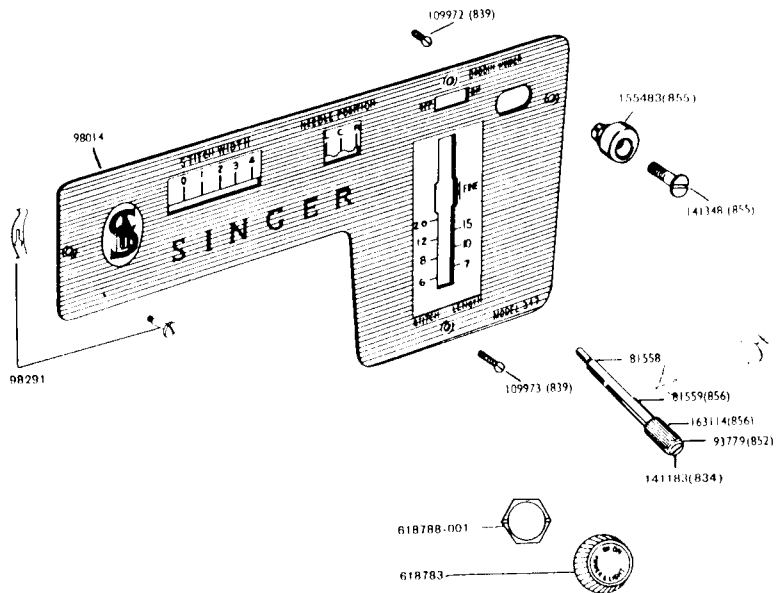
ATTACHMENT SET 161853

161894 Feed Cover Plate
172336 Bobbin (Plastic) (3)
2020(15x1) Needles 14 (3)

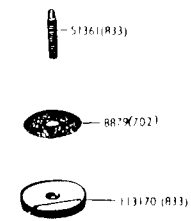
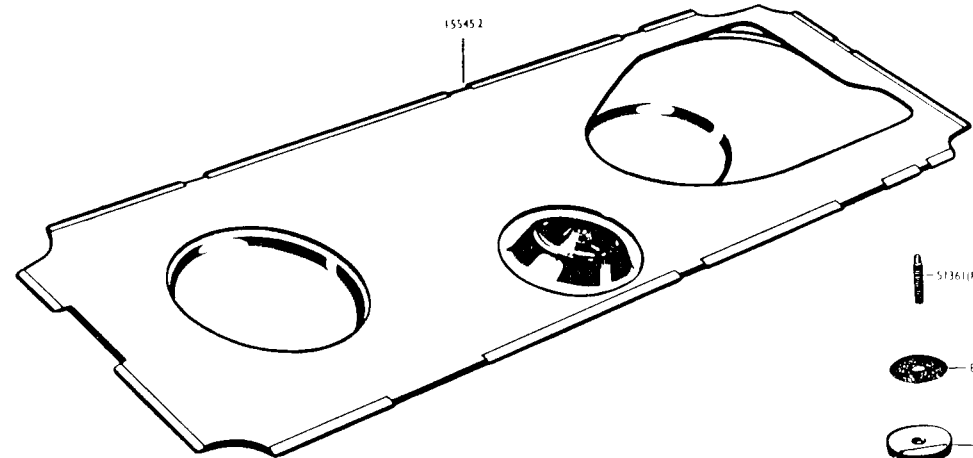
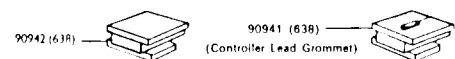
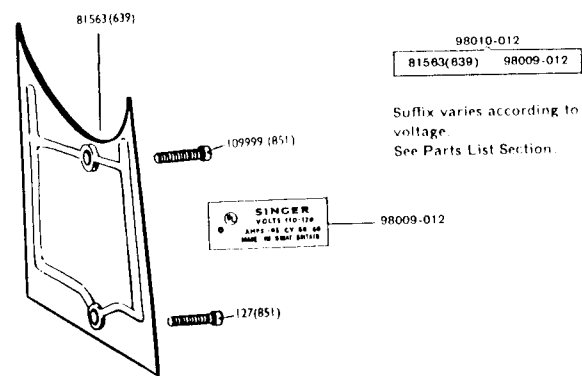
*A Trademark of THE SINGER COMPANY

Form 730 - 347K

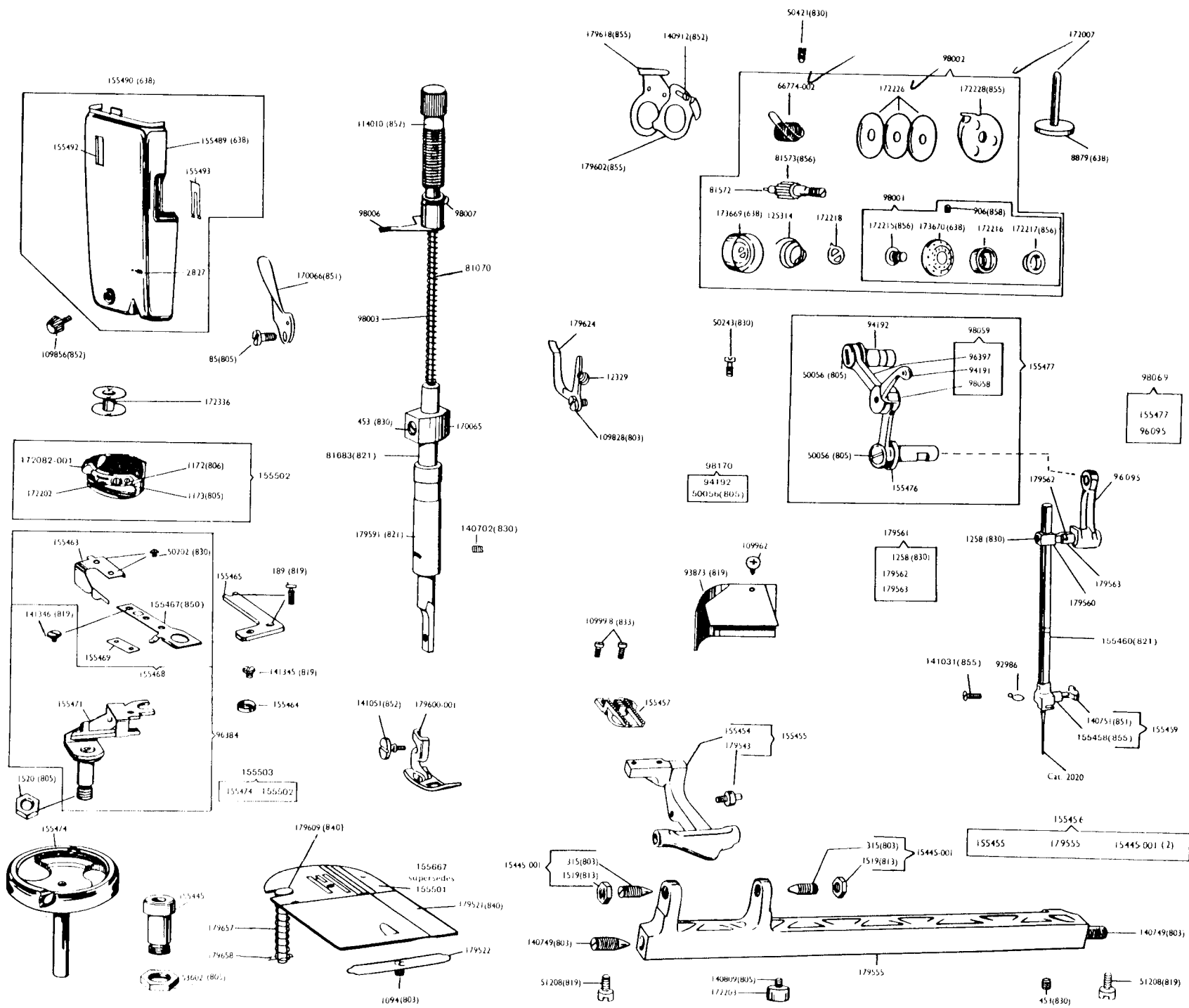
List of Parts—Machine No. 347 K



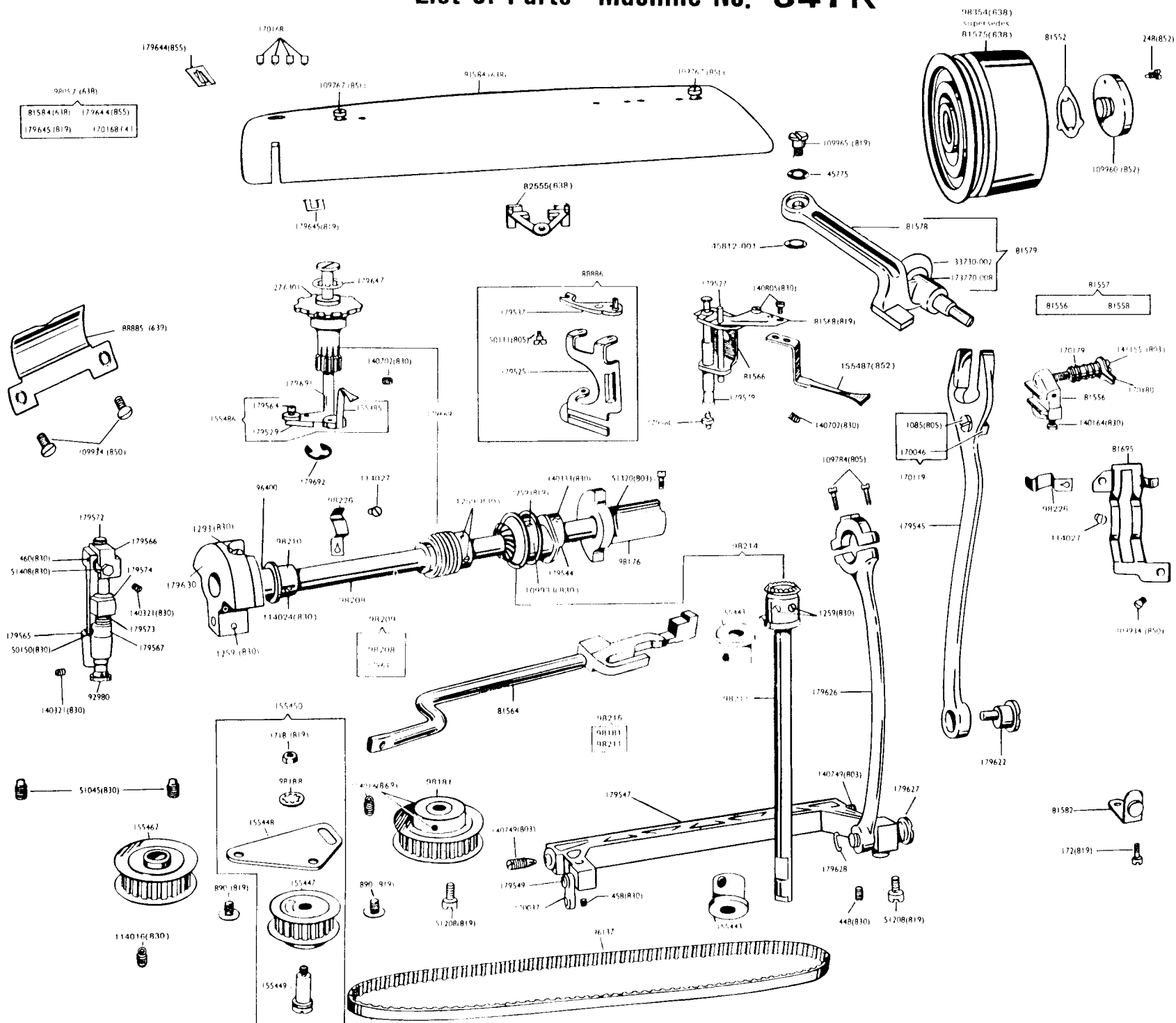
*Substituted
10/20/57*



List of Parts—Machine No. 347K



List of Parts—Machine No. 347K



347K13 BLIND STITCH MECHANISM

