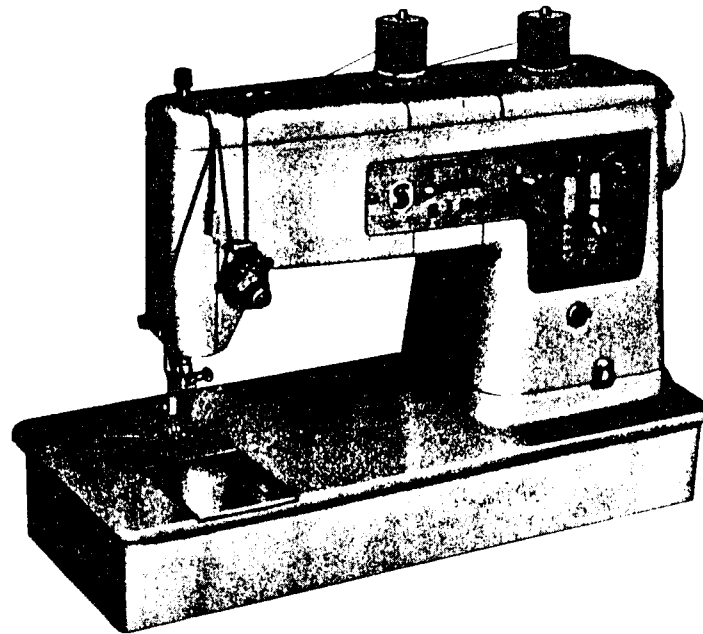


SINGER
338

List of Parts—Machine No. 338

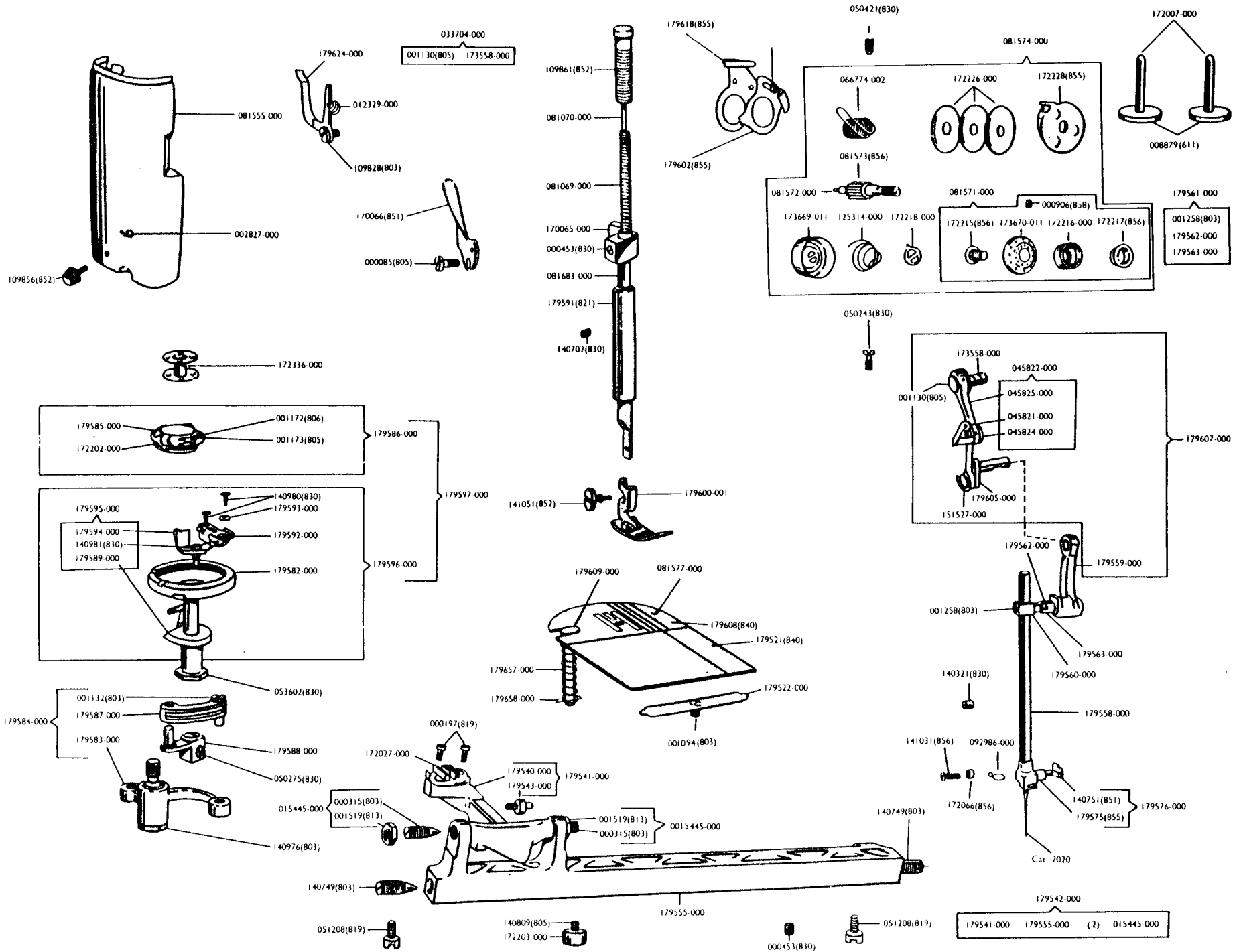


ATTACHMENT SET 93727

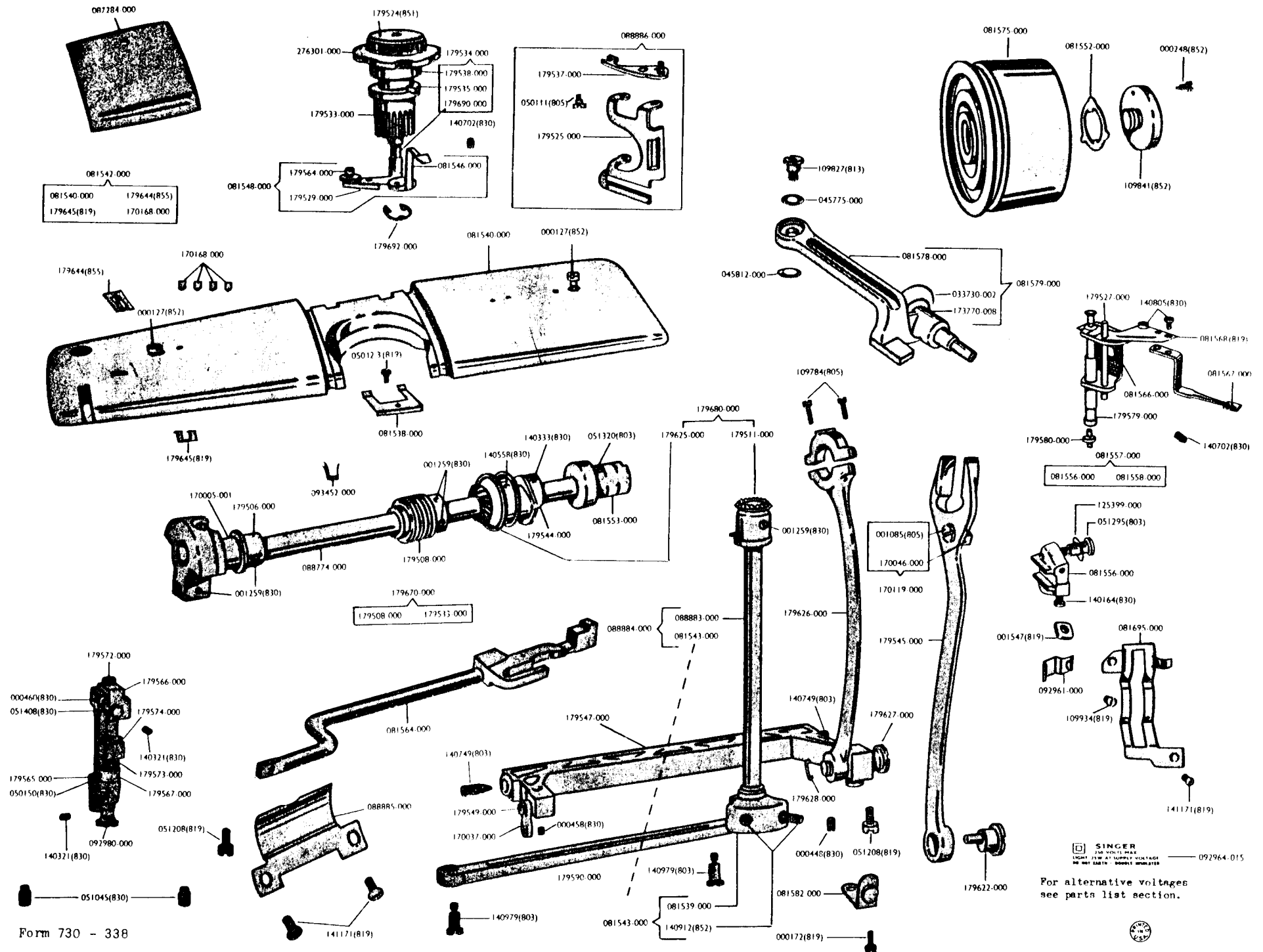
32773	Presser Foot
81245	Binder
161127	Zipper Foot
161172	Seam Guide
161294	Screwdriver (LG)
161295	Screwdriver (SM)
161609	Tube of Oil
161611	Attachment Box
161613	Button Foot
161671	Hemmer Foot
161771	Applique Foot
161894	Raising Plate
161895	Throat Plate
172336	Bobbin (Plastic) (4)
276302	Fashion Disc 2
276303	Fashion Disc 3
276305	Fashion Disc 5
276306	Fashion Disc 6
276309	Fashion Disc 9
276310	Fashion Disc 10
276313	Fashion Disc 13
276331	Fashion Disc 31
2020(15x1)	Needles 14 (3)



List of Parts—Machine No. 338



List of Parts—Machine No. 338



SINGER
 THE WORLD'S MARK
 LIGHT, STAY-ON, THERMO-PLASTIC
 NO. 101 1011 - 100011 100011 100011

For alternative voltages see parts list section.



List of Parts—Machine No. 338

