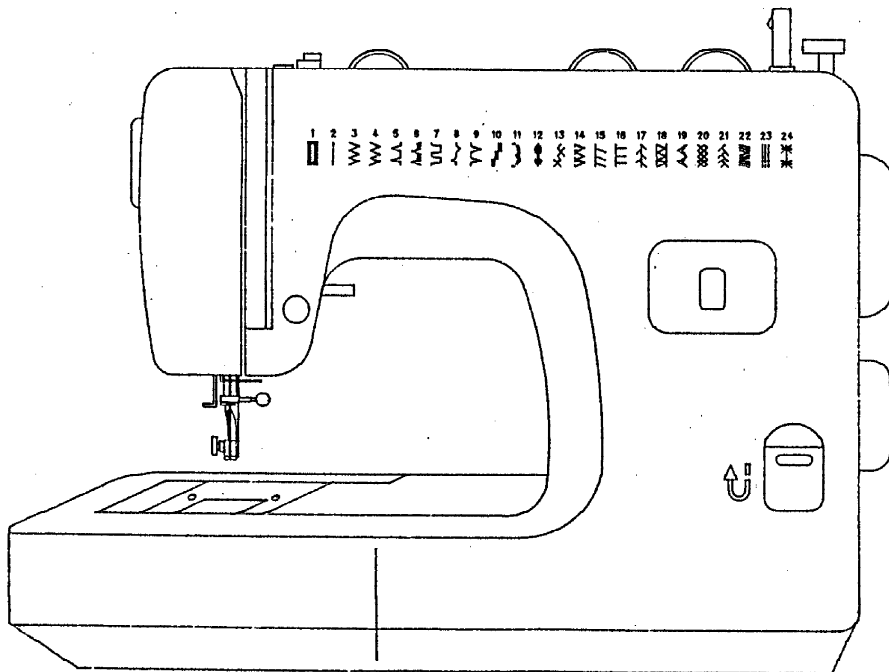


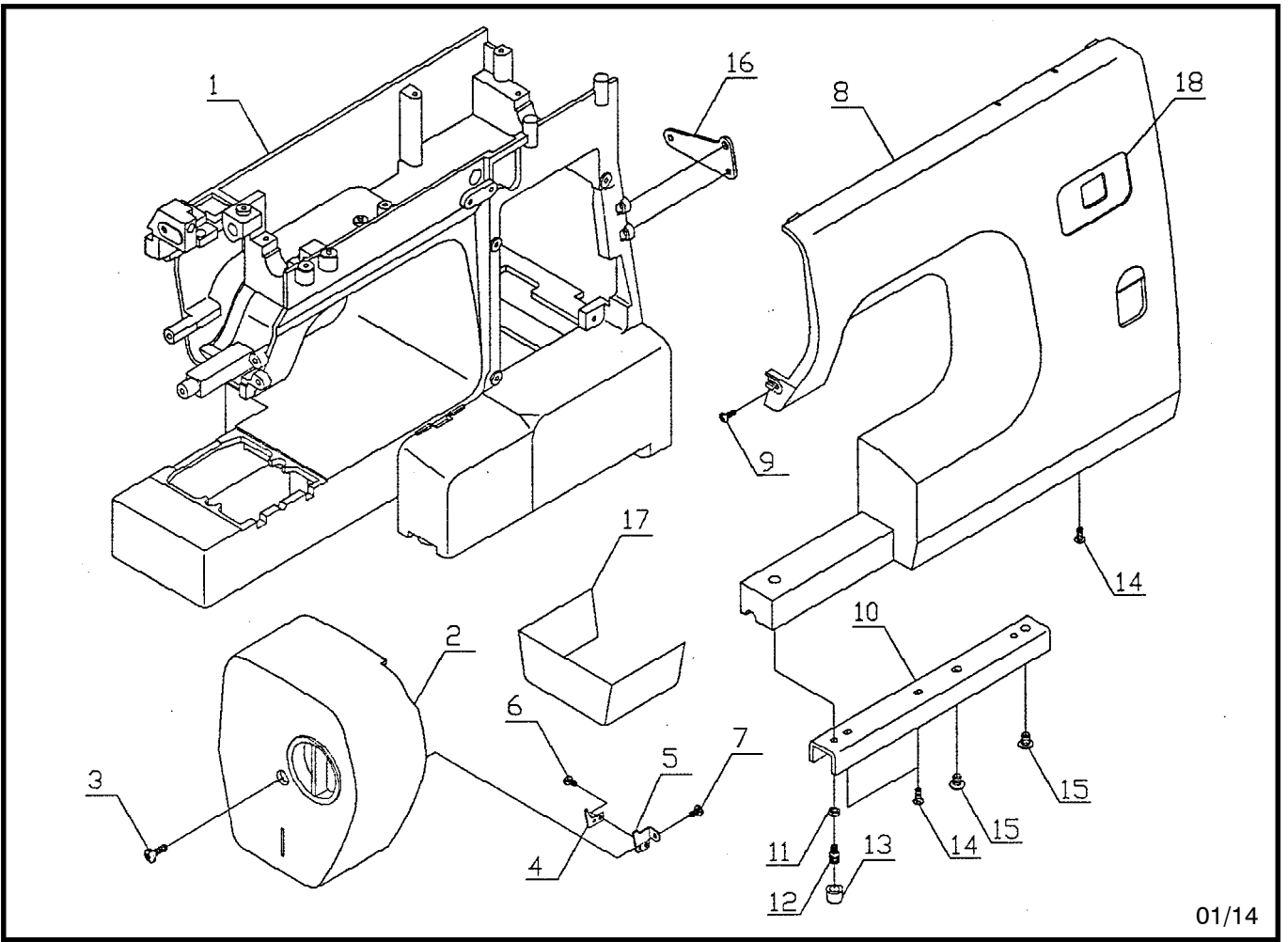
PARTS LIST

Model 2623

(120V/230V)

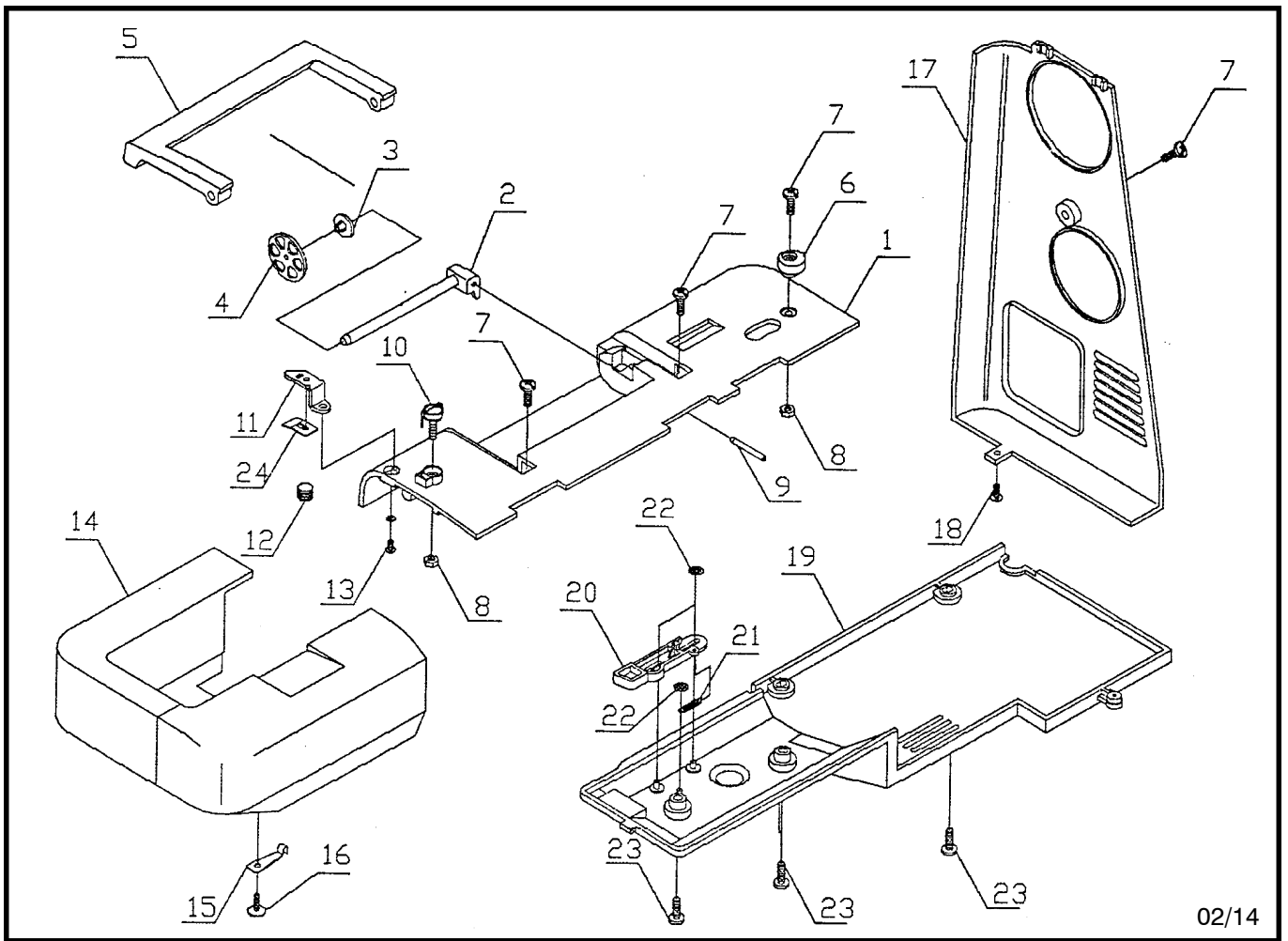


SINGER®

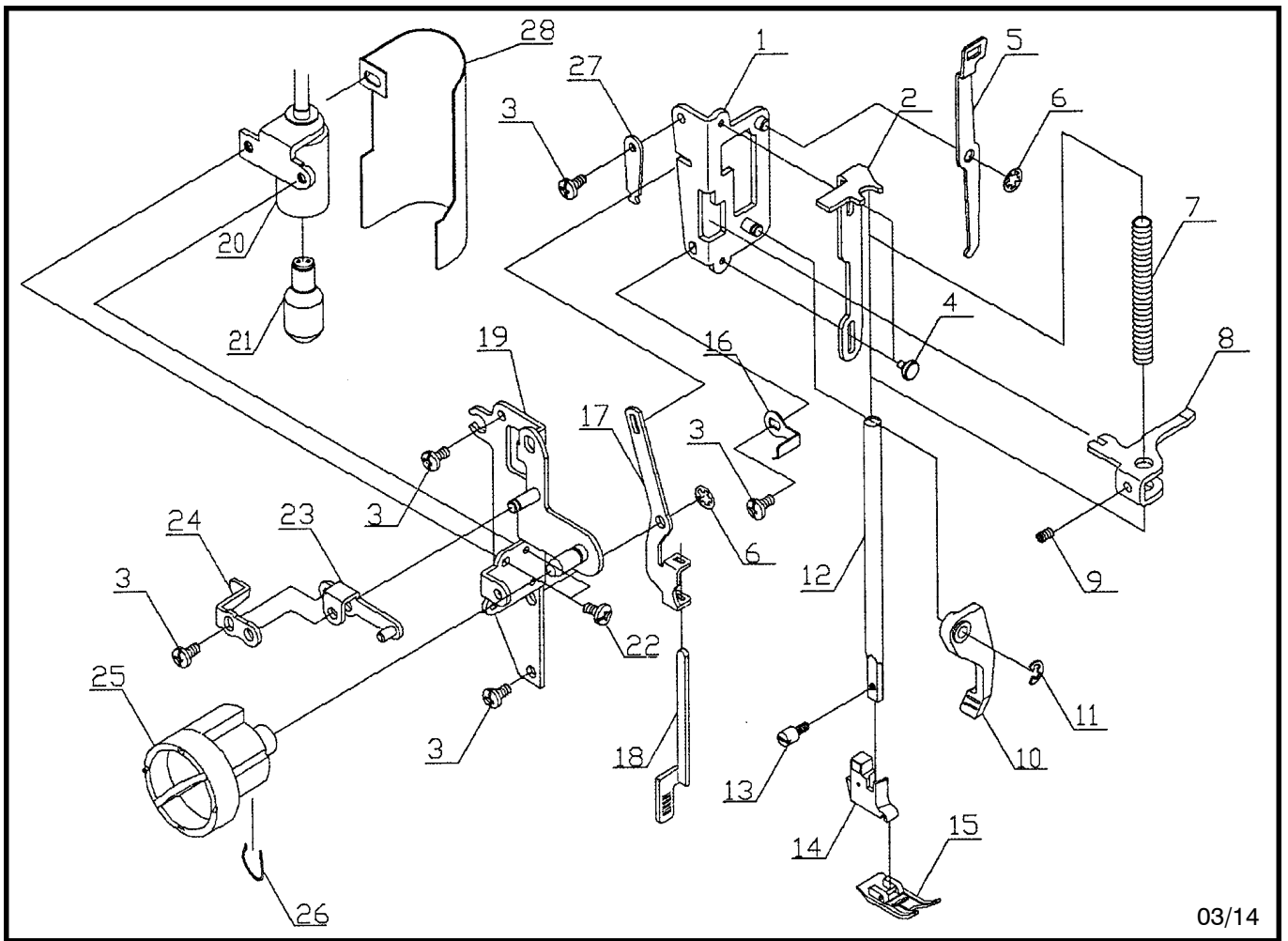


01/14

Key	Parts No.	Name of Parts	Key	Parts No.	Name of Parts
1	986001	Arm			
2	986004	Face plate			
3	000 081 706	+ - Binding head screw 4*14 (cr)			
4	986005	Cutter (1)			
5	986006	Cutter (2)			
6	000 082408	+ - Binding head screw 3*6			
7	000 087908	T screw 3*8			
8	986002	Front plate			
9	000 082202	+ - Binding head screw 3.5*8			
10	986127	Detachable foot			
11	000 010 003	Rapid nut M4*0.7			
12	730158	Rubber cushion screw			
13	730157	Rubber cushion			
14	000 087104	T screw 3.5*8			
15	000 083409	+ - Pan head screw 5*10			
16	986126	Motor cover set plate			
17	986143	Face plate heat isolation			
18	986138	Panel			

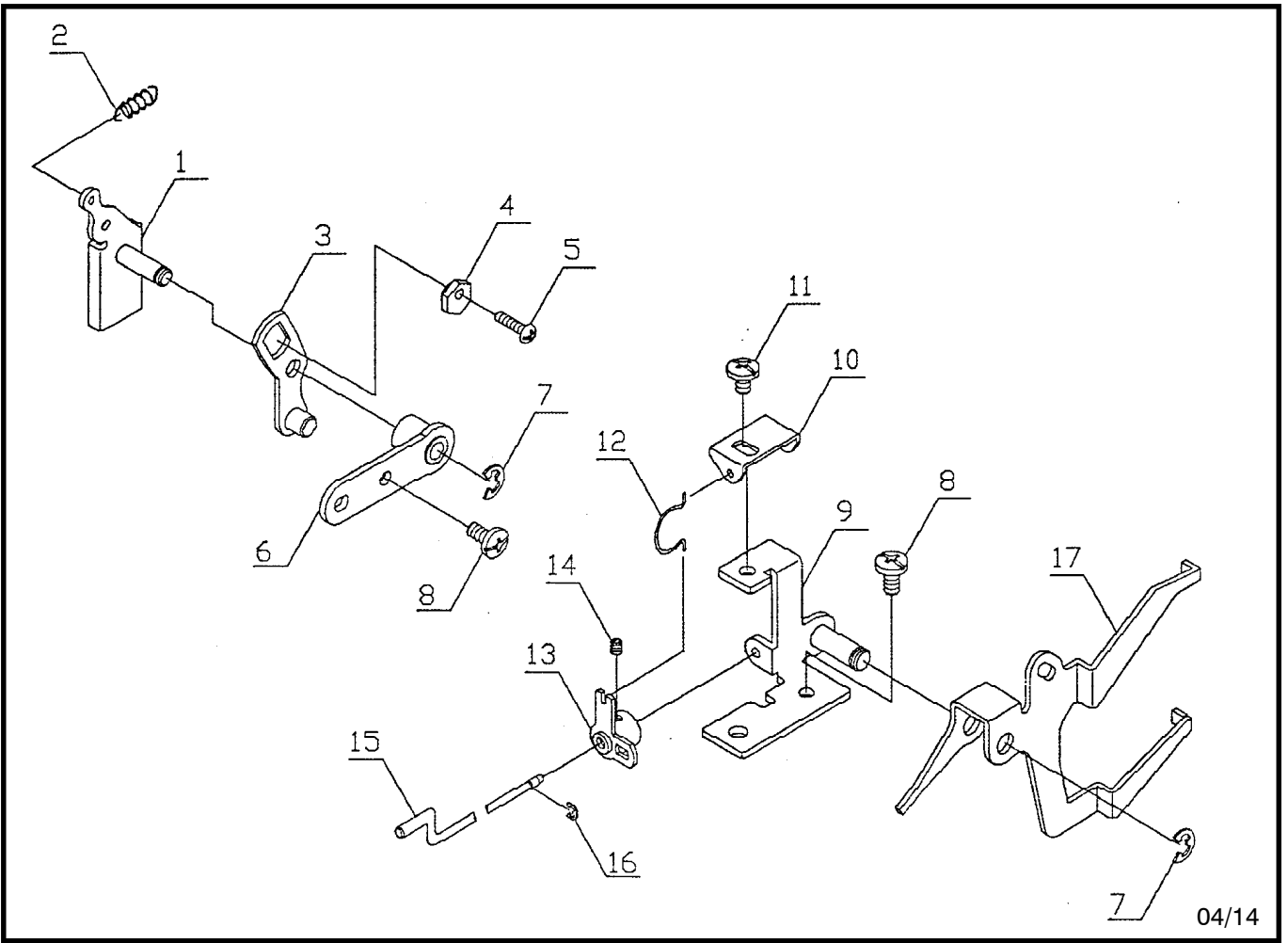


Key	Parts No.	Name of Parts	Key	Parts No.	Name of Parts
1	986007	Front plate			
2	986008	Spool			
3	986014033	Bobbin cover plate (small)			
4	986013032	Bobbin cover plate (big)			
5	986015	Handle			
6	321143000	Bobbin winder stopper			
7	000081603	+ - Binding head screw 4*12			
8	000 071 105	Hexagon nut 4-3-7			
9	986009	Spool pin			
10	986010	Bobbin winder regulate lead shaft			
11	986011	Threading guide			
12	986047	Threading guide spring			
13	000 087012	T screw 3*8			
14	986501	Detachable workplate unit			
15	986016	Detachable workplate shrapnel			
16	000087908	T washer screw 3*8			
17	986003	Threading plate			
18	000 087104	+ - Pan head T screw 3.5*8			
19	986019	Arm bed			
20	730114012	Feed lifting connecting crank			
21	868033	Clutch rod spring			
22	000 002 501	Snap ring CS-3			
23	000 081603	+ - Binding head screw 4*12			
24	986159	Threading guide plate			

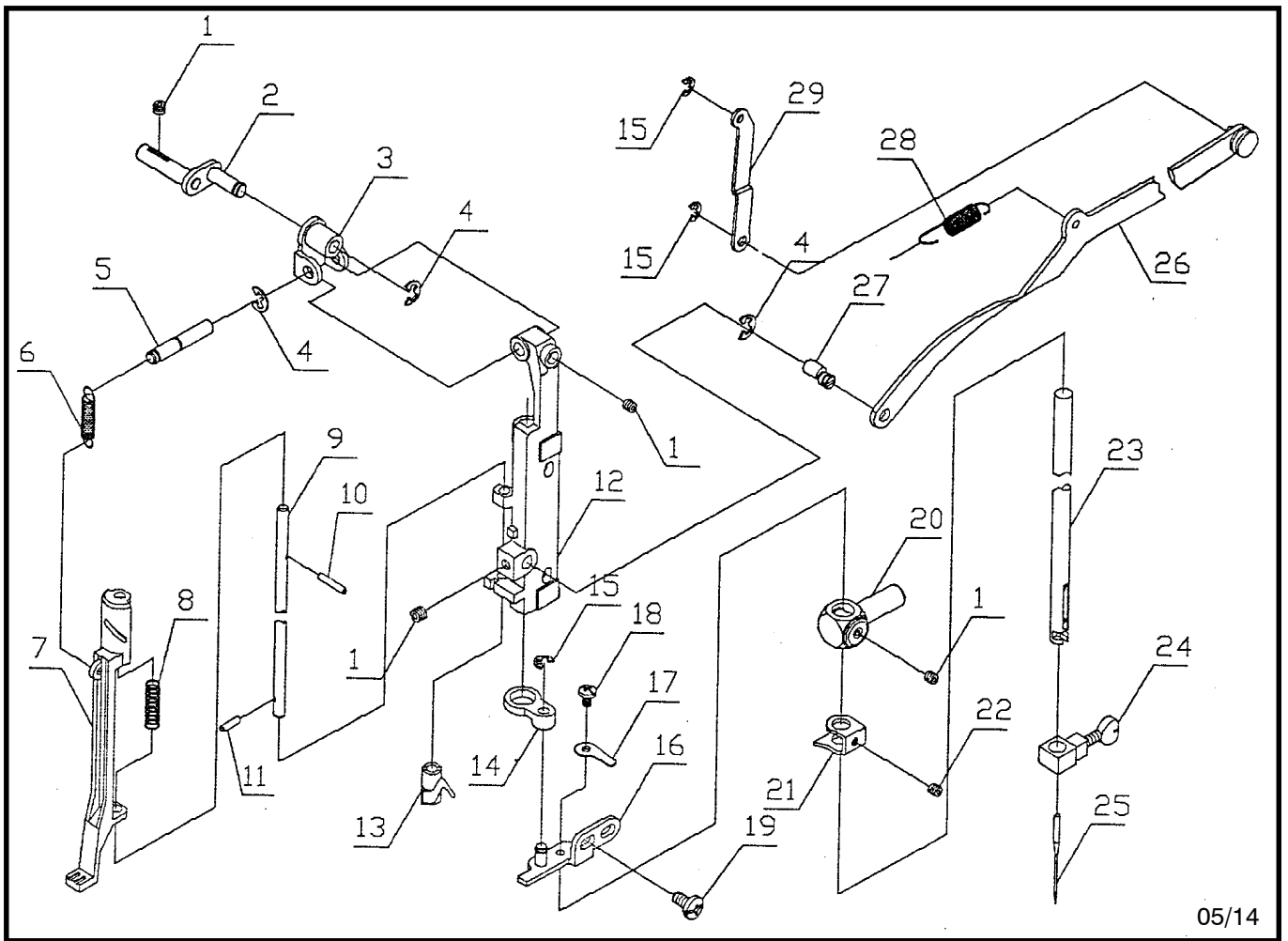


03/14

Key	Parts No.	Name of Parts	Key	Parts No.	Name of Parts
1	986502	Presser bar lifter base	28	986160	Lamp cover (120v)
2	986021	Presser regulate rod			
3	000 081 407	+ - Binding head screw 4*8			
4	986022	Pin			
5	986023	Release lever			
6	000 002 002	Snap ring CS-5			
7	986024	Presser bar spring			
8	986025	Presser bar guide bracket			
9	000 079402	Hexagon socket screw 4*8			
10	730119030	Presser bar lifter			
11	000 001 207	Snap ring E-4			
12	986026	Presser bar			
13	270024003	Presser foot thumb screw			
14	168508	Presser foot holder			
15		Presser foot			
16	986027	BH connecting rod shrapnel			
17	986503	BH connecting crank			
18	986029	BH connecting rod			
19	986030	Lamp socket bracket			
20	E-986-001	Lamp socket plate unit (120v)			
	E-868-003	Lamp socket plate unit (230v)			
21	000101150	Light bulb (120v)			
	000101404	Light bulb (230v)			
22	000 080 901	Flat head screw 3*6			
23	986033	Presser regulate crank (A)			
24	986034	Presser regulate crank (B)			
25	986031	Presser regulate dial			
26	986032	Presser regulate dial spring			
27	730118	Feed lifting spring bracket			

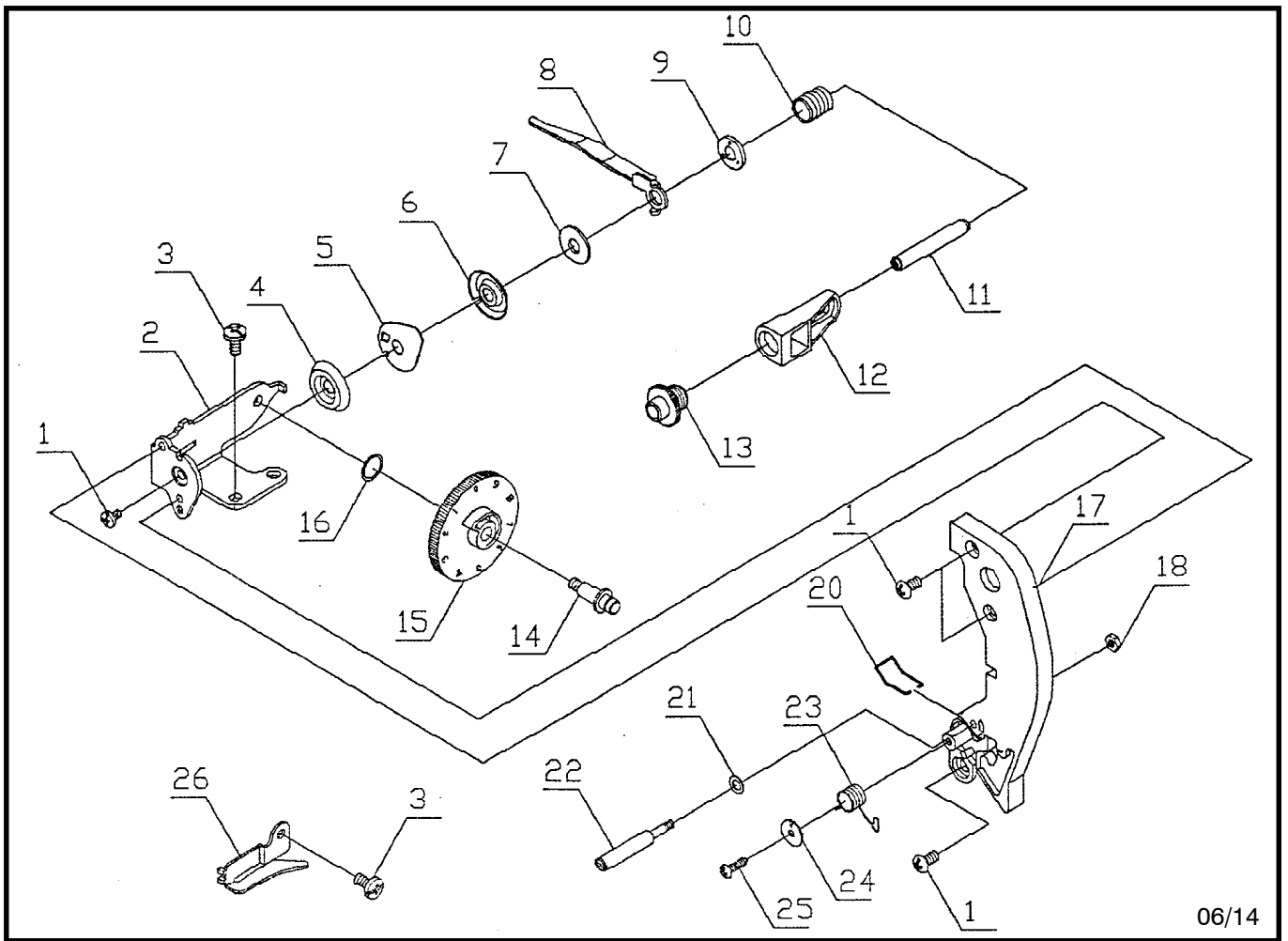


Key	Parts No.	Name of Parts	Key	Parts No.	Name of Parts
1	986040	Zigzag regulate (3D)			
2	986044	Regulate spring			
3	986041	Zigzag crank (3D)			
4	986043	Zigzag regulate nut			
5	000081304	+ - Binding head screw 4*6			
6	986042	Regulate base			
7	000 001 207	Snap ring E-4			
8	000 081 407	+ - Binding head screw 4*8			
9	986035	BH connecting crank base			
10	986036	BH connecting crank spring			
11	000 081 304	+ - Binding head screw 4*6			
12	868049	Snap ring C			
13	986038	BH turn crank			
14	000 079000	Hexagon socket screw 3*4			
15	986039	BH turn rod			
16	000 001 001	Snap ring E-2.5			
17	986037	BH clutch connecting crank			



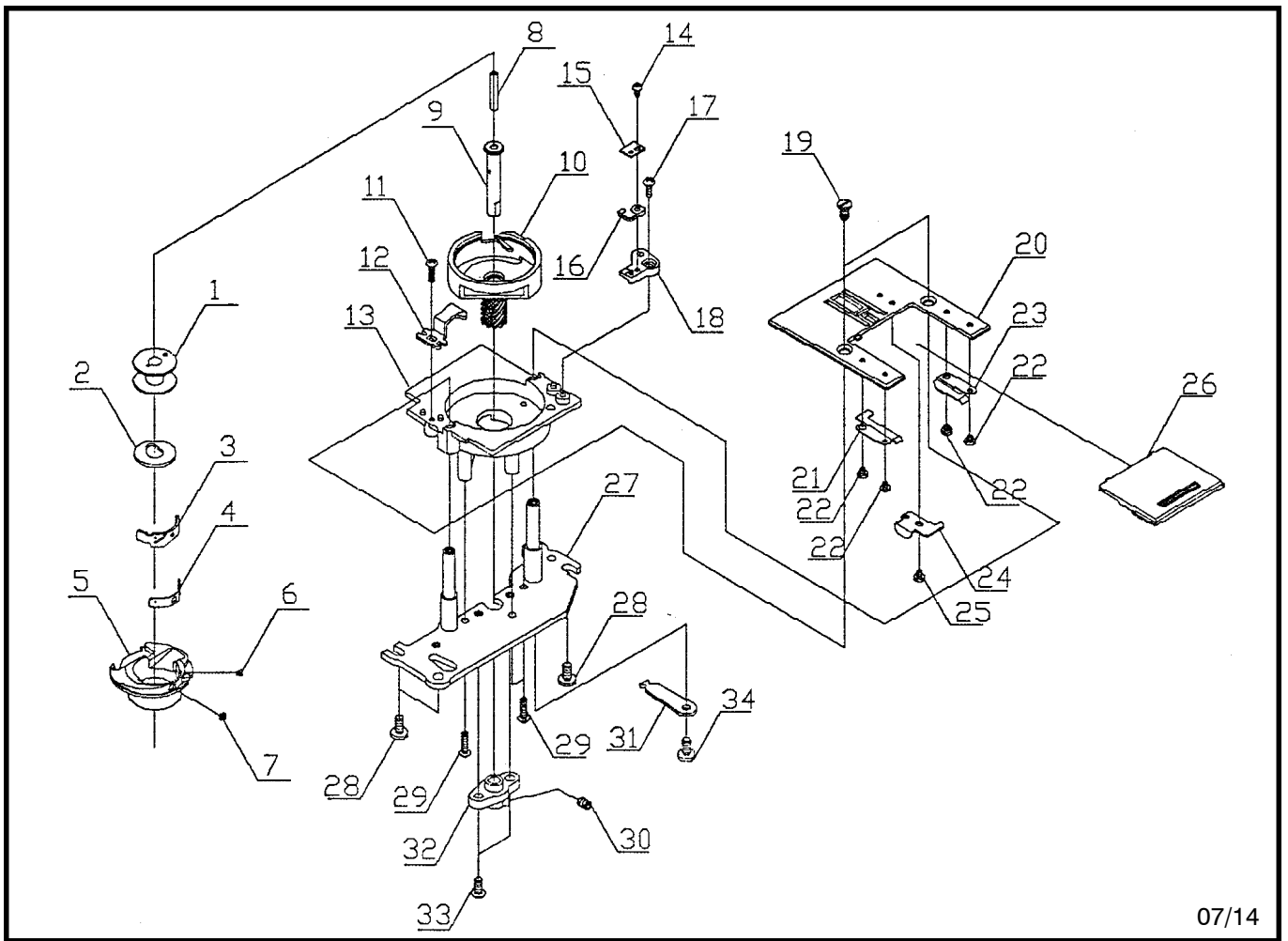
05/14

Key	Parts No.	Name of Parts	Key	Parts No.	Name of Parts
1	000 079103	Hexagon socket screw 4*4			
2	986051	Needle bar crank supporter shaft			
3	986050	Needle bar crank supporter			
4	000 001 207	Snap ring E-4			
5	730096	Needle bar crank pin			
6	730102	Through thread body spring			
7	986054	Through thread body			
8	730103	Through thread bar spring			
9	986055	Through thread bar			
10	000 006 914	Spring pin 2*12			
11	000 006 811	Spring pin 2*8			
12	986052	Needle bar crank			
13	270030 002	Lead thread body			
14	986056	Needle bar lead plate			
15	000 001 104	Snap ring E-3			
16	986057	Needle bar lead base			
17	730099	Needle bar crank stop plate			
18	000 082408	+ - Binding head screw 3*6			
19	000 081 407	+ - Binding head screw 4*8			
20	281504006	Needle bar bracket (special)			
21	270017003	Through thread location plate			
22	000 079000	Hexagon socket screw 3*4			
23	986053	Needle bar			
24	320122000	Needle clamp			
25	000201324	Needle			
26	986058	Zigzag lever			
27	730078	Zigzag eccentric pin			
28	730187	Needle bar crank spring			
29	986059	Zigzag regulate lever			



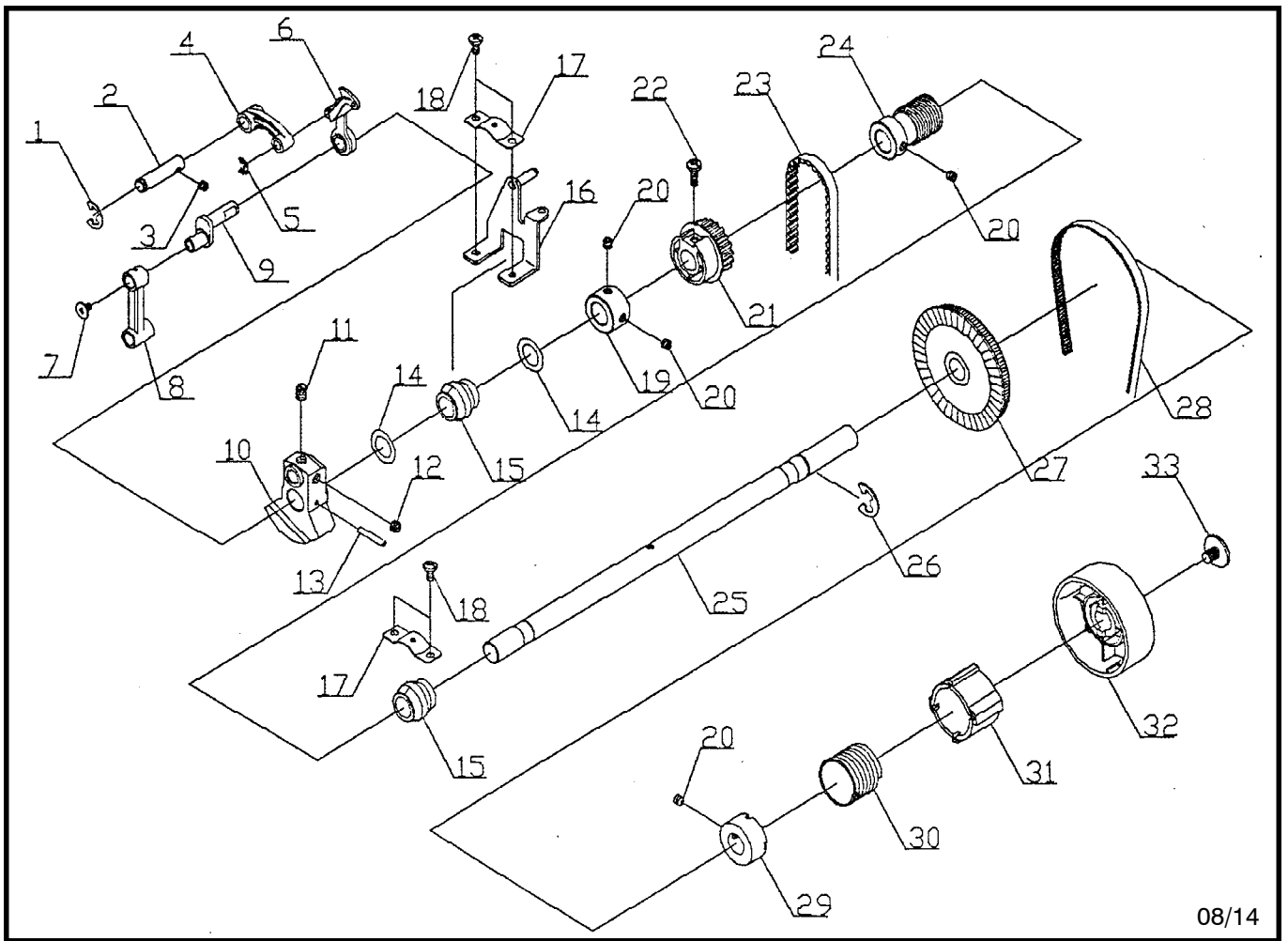
06/14

Key	Parts No.	Name of Parts	Key	Parts No.	Name of Parts
1	000 082 408	+ - Binding head screw 3*6			
2	986045	Thread rgulator base			
3	000081407	+ - Binding head screw 4*8			
4	868060	Thread tension regulate flat (L)			
5	868059	Middle plate			
6	868060	Thread tension regulate flat (r)			
7	868138	Washer 5.6*15*1			
8	730110	Thread tension connecting plate			
9	868113	Spring set position plate			
10	868115	Thread tension regulate spring			
11	868116	Thread tension regulate base shaft			
12	730023	Thread tension regulate plate			
13	868118	Elastic regulate			
14	730197	Thread tension regulate shaft			
15	868114037	Thread tension regulate dial			
16	868234	Corrugated washer 9 m/m			
17	986046	Threading guide			
18	000 071002	Hexagon nut 3-3-0.5			
19					
20	868057	Thread guide spring			
21	000 012 200	Plain washer 4*7*0.4			
22	730019	Threading guide shaft			
23	730105	Thread taked-up spring			
24	986048	Spring set plate			
25	000 087012	T screw 3*8			
26	986049	Threading guide			



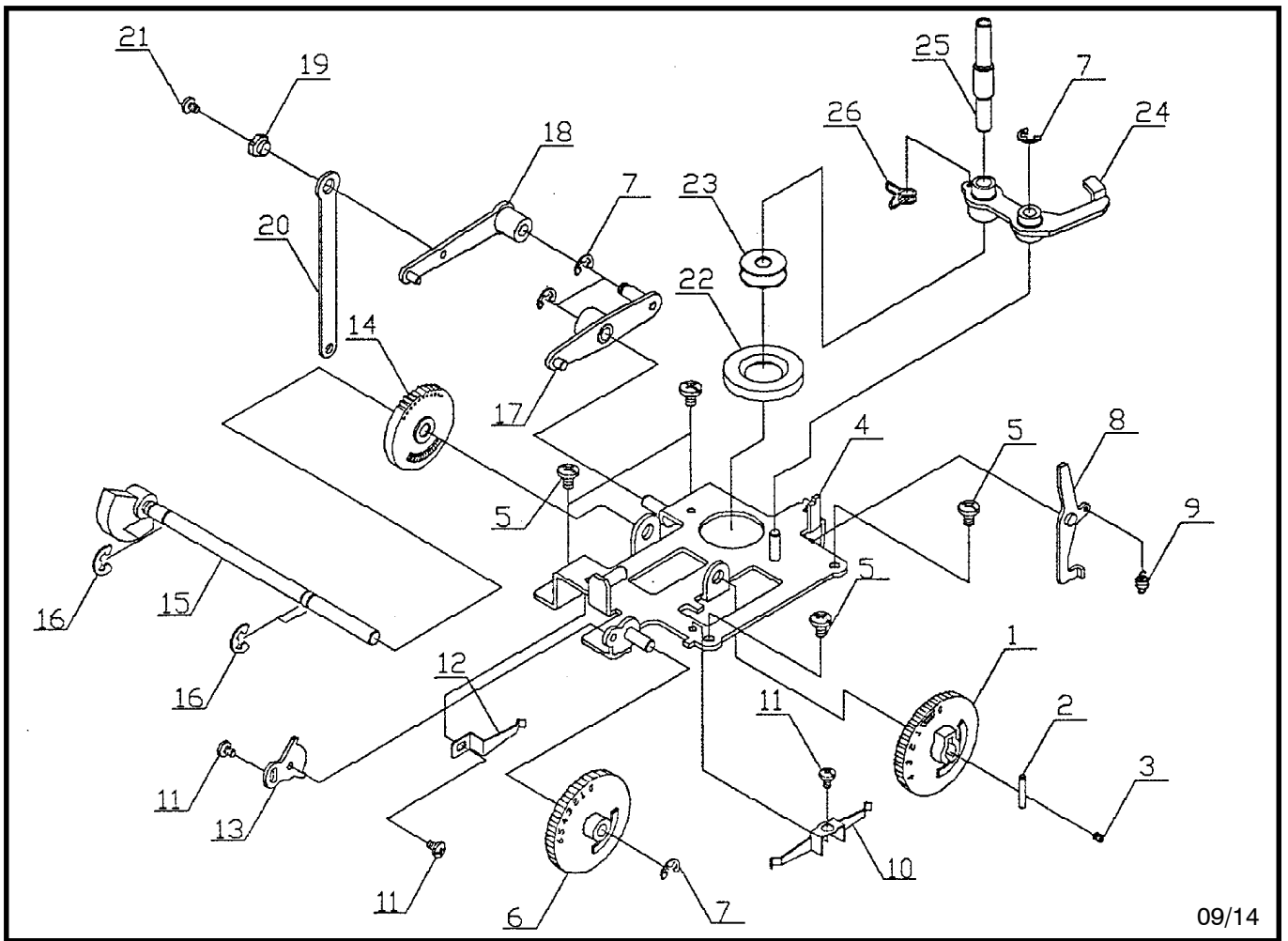
07/14

Key	Parts No.	Name of Parts	Key	Parts No.	Name of Parts
1	218023	Bobbin	30	000 079206	Hexagon socket screw 4*6
2	730155	Bobbin case magnet	31	730118	Feed lifting spring bracket
3	730024	Bobbin regulate plate	32	730141	Hook race set body
4	730025	Bobbin regulate spring	33	000 084400	+ - Pan head screw 4*8
5	730149	Bobbin case	34	000080200	Flat head screw 4*8
6	730173	Regulate screw (2)			
7	730172	Regulate screw (1)			
8	730168	Oil core			
9	730143	Hook race shaft			
10	730144	Hook race			
11	000 087012	T screw 3*8			
12	730150	Bobbin case set stop plate			
13	730142	Hook race cover			
14	730176	T screw 2.6*6			
15	168108	Stop shrapnel holder			
16	730152	Bobbin case stop shrapnel			
17	000 087001	+ - Pan head T screw 3*8			
18	168109	Stop shrapnel base			
19	266017 000	Flat head set screw			
20	168096	Needle plate			
21	730147	Slide plate shrapnel (L)			
22	730175	Set screw (slide shrapnel)			
23	730148	Slide plate shrapnel (r)			
24	730151	Bobbin case stop plate			
25	730174	Set screw (Bobbin case stop plate)			
26	730146	Slide plate			
27	730140-1	Hook race base			
28	00081407	+ - Binding head screw 4*8			
29	000 087300	+ - Pan head T screw 3*12			



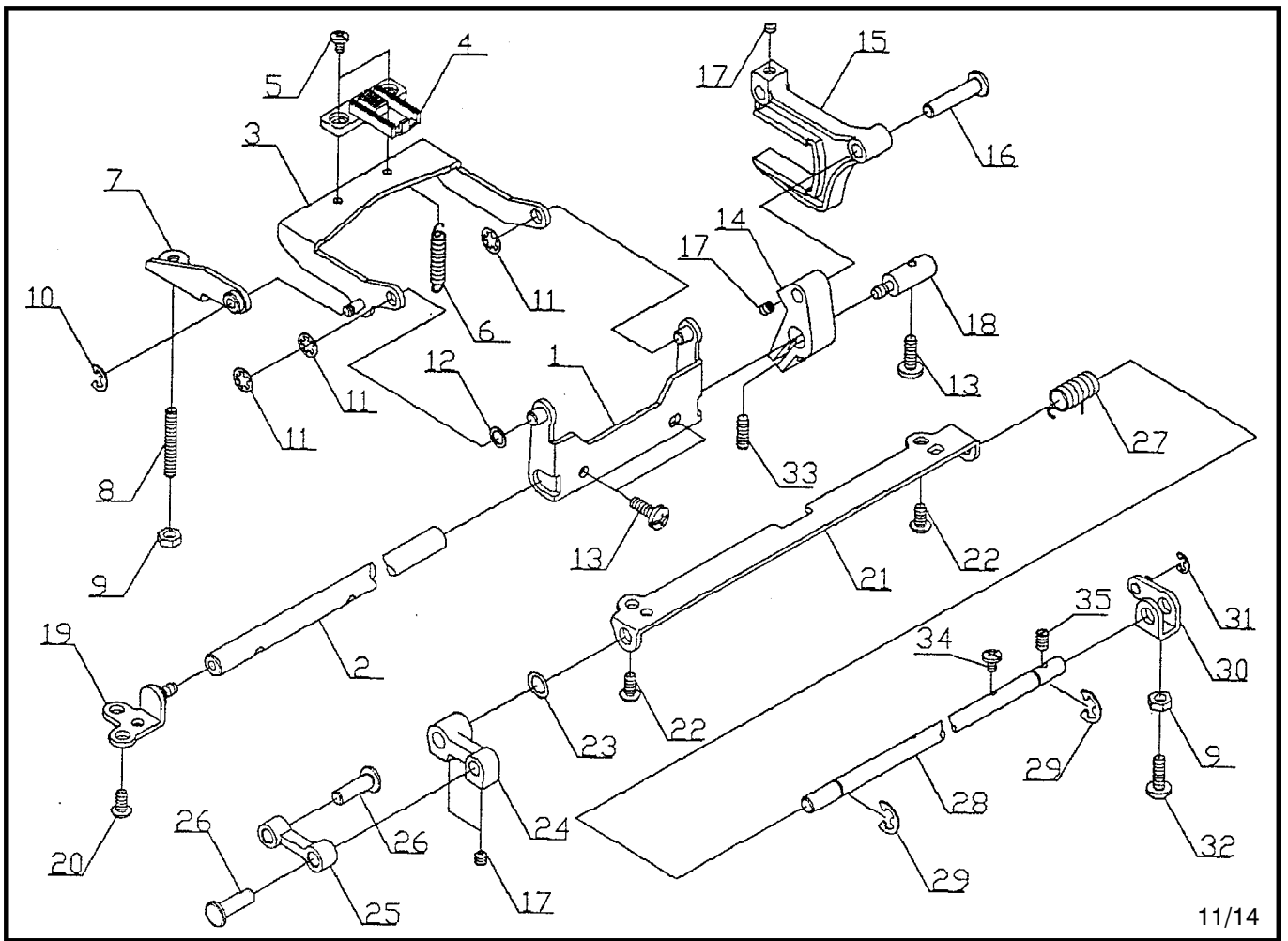
08/14

Key	Parts No.	Name of Parts	Key	Parts No.	Name of Parts	
1	986637	Thread take-up complete (986158)	30	868031	Clutch spring	
2			31	868030	Clutch	
3			32	868025004	Hand wheel	
4			33	868024	Stop motion large screw	
5						
6						
7						
8	281146005	Needle bar connecting rod				
9	730098	Needle bar crank pin				
10	321 031 004	Thread take-up crank				
11	574057006	Set screw SM15/64-28*4				
12	101 040008	Set screw SM15/64-28*6.5				
13	000 006 408	Spring pin 3*20				
14	000 001 310	Thrust washer 13*20*0.25				
15	868003	Upper shaft bushing				
16	986061	Handle bracket				
17	868004	Bushing plate				
18	000 081407	+ - Binding head screw 4*8				
19	321032005	Upper shaft ring				
20	000 079309	Hexagon socket screw 5*5				
21	730079	Timing belt A				
22	000 081 706	+ - Binding head screw 4*14				
23	000 092906	Timing belt (184*L)				
24	868005	Upper shaft worm				
25	986060	Upper shaft				
26	000 001 610	Snap ring E-10				
27	868184	Pulley ring				
28	000 092009	Motor belt (506-2GT)				
29	868032	Hand wheel bushing				



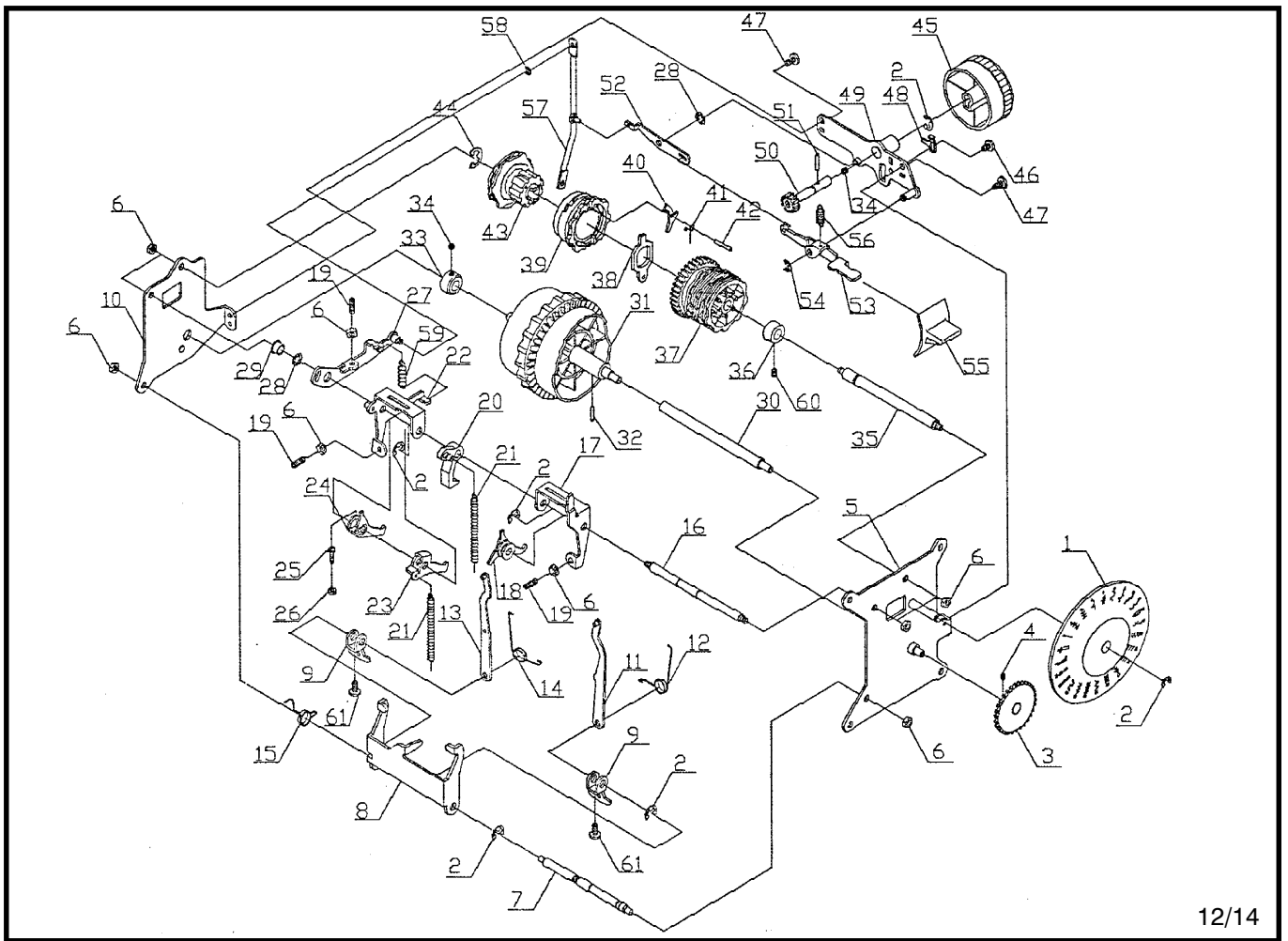
09/14

Key	Parts No.	Name of Parts	Key	Parts No.	Name of Parts
1	986067038	Feed regulate dial			
2	730111	Pin			
3	000 079000	Hexagon socket screw 3*4			
4	986504	Regulate dial plate			
5	000 081 407	+ - Binding head screw 4*8			
6	986072038	Zigzag regulate dial			
7	000 001 207	Snap ring E-4			
8	986063	Clutch rod			
9	730037	Clutch rod spring			
10	986074	Zigzag shrapnel			
11	266009009	Screw M3*O.5*6			
12	986068	BH regulate dial shrapnel			
13	986073	Zigzag dial stop plate			
14	986066038	BH regulate dial			
15	986065	Feed regulate cam			
16	000 001 300	Snap ring E-5			
17	986069	BH regulate crank			
18	986071	Feed regulate crank			
19	986149	Regulate nut			
20	986091	Feed rod (B)			
21	000 082408	+ - Binding head screw 3*6			
22	266033008	Bobbin winder felly			
23	266032007	Bobbin winder base			
24	730027	Bobbin winder crank			
25	360046003	Bobbin winder crank spring			
26	986062	Bobbin winder shaft			



11/14

Key	Parts No.	Name of Parts	Key	Parts No.	Name of Parts
1	730138	Feed dog base crank	30	986079	Feed regulate shaft crank
2	986076	Feed rock shaft	31	000 001 104	Snap ring E-3
3	168105	Feed dog base	32	000084905	Hexagon socket screw 4*12
4	168100	Feed dog	33	000079309	Hexagon socket screw
5	000 082408	+ - Binding head screw 3*6	34	000001300	+ - Pan head screw 4*4
6	730139	Feed dog spring	35	730055	Feed regulate screw
7	730117	Feed lifting crank			
8	730171	Screw			
9	000 071105	Hexagon socket nut 4-3-7			
10	000 001 207	Snap ring E-4			
11	000 002 404	Snap ring CS-4.5			
12	281 040009	Plain washer 5.1*7.3*0.5			
13	000081407	+ - Binding head screw 4*8			
14	730129	Feed rock crank			
15	730107	Feed driving rod			
16	730108	Feed driving rod shaft			
17	000 079103	Hexagon socket screw 4*4			
18	730133	Feed rock shaft index pin			
19	730132	Feed rock shaft index pin base			
20	000 084400	+ - pan head screw 4*8			
21	986077	Feed regulate shaft base			
22	000 081 407	+ - Binding head screw 4*8			
23	000 013 017	Thrust washer 6.2*9.5*0.13			
24	730048	Feed regulate crank			
25	730049	Feed regulate rod			
26	730052	Feed regulate set pin			
27	730053	Feed regulate spring			
28	986236	Feed regulate shaft			
29	000 001 300	Snap ring E-5			



12/14

Key	Parts No.	Name of Parts	Key	Parts No.	Name of Parts
1	986 121	Pattern show shaft	31	986 119	Pattern selector cam
2	000 001 300	Snap ring E-5	32	000 006 914	Spring pin 3*12
3	730 219	Pattern selector gear	33	730 122	Shaft ring
4	000 079 000	Hexagon socket screw 3*4	34	000 079 103	Hexagon socket screw 4*4
5	986 116	Base (Front)	35	986 101	Pattern cam shaft
6	000 071 105	Hexagon nut 4-3-7	36	268 005 417	Pattern cam ring
7	986 093	Control crank shaft	37	986 102	Pattern cam (Zinc)
8	986 092	Control crank	38	986 103	BH controller cam
9	986 095	Pattern selector crank holder	39	986 104	BH cam
10	000 082 501	+ - Pan head screw 3*8	40	986 105	BH clutch
11	986 096	Pattern selector crank (Zinc)	41	986 106	BH clutch spring
12	986 098	Pattern selector crank spring	42	986 107	BH clutch pin
13	986 099	Pattern selector crank (F)	43	986 108	Pattern cam (F)
14	986 100	Pattern selector crank spring	44	000 001 505	Snap ring E-7
15	986 094	Control crank spring	45	986 112	Pattern selector dial
16	986 080	Claw shaft	46	000 081 304	+ - Binding head screw 4*6
17	986 081	Claw support bracket (Zinc)	47	000 081 407	+ - Binding head screw 4*8
18	986 082	Claw (Zinc)	48	986 115	Reverse regulate plate
19	000 071 105	Set screw 4*12	49	986 109	Pattern selector plate
20	986 083	BH claw (Zinc)	50	986 111	Pattern selector dial gear
21	986 087	BH claw spring	51	730 111	Pin
22	986 084	Claw support bracket (F)	52	986 110	Reverse crank (B)
23	986 086	BH claw (Feed)	53	986 113	Reverse crank (A)
24	986 085	Claw (Feed)	54	000 001 207	Snap ring E-4
25	986 129	Regulate screw	55	986 114	Reverse dial
26	000 071 002	Hexagon nut 3-3-5.5	56	986 139	Reverse dial spring
27	986 088	Reverse crank	57	986 070	Reverse rod (A)
28	000 002 301	Snap ring CS-4	58	000 001 104	Snap ring E-3
29	986 089	Indicate plate	59	986 090	Reverse crank spring
30	986 118	Pattern selector cam shaft	60	000 079 000	Hexagon socket screw 3*4

