

Notice to installing contractor: Instructions must remain with installation.

Your Peace of Mind is Our Top Priority®



PUMP COMPANY

Zoeller Family of Water Solutions™

MAIL TO: P.O. BOX 16347 • Louisville, KY 40256-0347
 SHIP TO: 3649 Cane Run Road • Louisville, KY 40211-1961
 (502) 778-2731 • 1 (800) 928-PUMP • FAX (502) 774-3624

visit our web site:
www.zoeller.com

FM0447
 Rev. A
 1114
 Supersedes
 0414

Product information presented here reflects conditions at time of publication. Consult factory regarding discrepancies or inconsistencies.

Register your Zoeller Pump Company Product on our website: <http://reg.zoellerpumps.com/>

INSTALLATION INSTRUCTIONS

RECOMMENDED MODELS

DATE INSTALLED:
MODEL NUMBER:

EFFLUENT*/SUMP/DEWATERING	SEWAGE
55 / 59, 70, 73, 75, 139 Series	211, 212 Series
140 / 4140, 145 / 4145, 160 / 4160 Series	270 / 4270 Series
180 / 4180, 191, 371, 372, 373 Series	280 / 4280, 290 / 4290 Series

NOTICE: VENT HOLE FOR CHECK VALVE
 SEE #3 IN CAUTION SECTION BELOW AND #4 ON PAGE 3

P/N 006355

* Effluent systems should specify that pumps should not handle solids exceeding 3/4" in order to prevent large solids from entering leeching fields, mound systems, etc. (70 Series have 3/8" solids capability. 50, 140/4140, 371 and 372 Series have 1/2", 130 Series has 5/8", 145/4145, 160/4160, 180/4180 and 373 models have 3/4".) Where code permits, sewage pumps can be used for effluent systems. Non-automatic pumps with external-level controls are recommended for septic tank effluent applications.

PREINSTALLATION CHECKLIST - ALL INSTALLATIONS

1. Inspect all materials. Occasionally, products are damaged during shipment. If the unit is damaged, contact your dealer before using. **DO NOT** remove the test plugs from the pump.
2. Carefully read the literature provided to familiarize yourself with specific details regarding installation and use. These materials should be retained for future reference.



WARNING

SEE BELOW FOR LIST OF WARNINGS

1. To reduce the risk of electrical shock, a properly grounded receptacle or control box must be installed in accordance with the governing codes. Never remove ground pin from plug.
2. Make certain that the ground fault interrupter protected receptacle or control box is within the reach of the pump's power supply cord. **DO NOT USE AN EXTENSION CORD.** Extension cords that are too long or too light do not deliver sufficient voltage to the pump motor, and they could present a safety hazard if the insulation were to become damaged or the connection end were to fall into a damp or wet area.
3. Make sure the pump's electrical supply circuit is equipped with fuses or circuit breakers of proper capacity. A separate branch circuit is recommended, sized according to the local electrical codes for the current shown on the pump name plate.
4. **Testing for ground.** As a safety measure, each electrical outlet should be checked for ground using a circuit analyzer which will indicate if the power, neutral and ground wires are correctly connected to your outlet. If they are not, call a qualified licensed electrician.
5. **FOR YOUR PROTECTION, ALWAYS DISCONNECT PUMP FROM ITS POWER SOURCE BEFORE HANDLING.** If pump is wired direct, de-energize the circuit at the control box. Wear insulated protective shoes and do not stand in water. Pumps equipped with a 3-prong ground plug are designed to help protect against electrical shock. **DO NOT, UNDER ANY CIRCUMSTANCES, REMOVE THE GROUND PIN.**
6. Installation and servicing of the pump, electrical circuits and hardware should only be performed by a qualified licensed electrician.
7. **Risk of electrical shock.** Do not remove power supply cord and strain relief or connect conduit directly to the pump. If the supply cable is damaged, it must be replaced by the Manufacturer or an authorized Zoeller Service Station to avoid a hazard.
8. Pump contains oil which becomes pressurized and hot when operating. Allow 2 1/2 hours after disconnecting before attempting service.
9. Pump is not intended for potable water due to possible contamination by oil contained in the pump.
10. **Risk of electric shock.** These pumps have not been investigated for use in swimming pools and marine areas.
11. According to the state of California (Prop. 65), this product contains chemicals known to the state of California to cause cancer and birth defects or other reproductive harm.

CAUTION

SEE BELOW FOR LIST OF CAUTIONS

1. Check to be sure your power source is capable of handling the voltage requirements of the motor, as indicated on the pump name plate.
2. The installation of variable level float switches is the responsibility of the installing party, and care should be taken that the tethered float switch will not hang up on the pump apparatus or pit peculiarities and is secured so that the pump will shut off. It is recommended to use rigid pipe and fittings and the pit be 18" or larger in diameter.
3. **Vent hole.** It is necessary that all submersible sump, effluent, and sewage pumps capable of handling various sizes of solid waste be of the bottom intake design to reduce clogging and seal failures. If a check valve is incorporated in the installation, a 3/16" vent hole must be drilled in the discharge pipe below the check valve and pit cover to purge the unit of trapped air. Vent hole should be checked periodically for clogging. The vent hole on a High Head application may cause too much turbulence. If you choose not to drill a vent hole, be sure the pump case and impeller is covered with liquid before connecting the pipe to the check valve. **NOTE: THE HOLE MUST BE BELOW THE BASIN COVER AND CLEANED PERIODICALLY.** Water stream will be visible when pump is operating.
4. Pump should be checked frequently for debris and/or build up which may interfere with the float "on" or "off" position. Repair and service should be performed by an Authorized Zoeller Service Station only.
5. Maximum operating temperature for standard model pumps must not exceed 130°F (54°C). Maximum operating temperatures for 70 series and model 211 must not exceed 110°F (43°C). Maximum operating temperatures for 73, 75, 212 series and model 211 must not exceed 104°F (40°C).
6. Do not operate a pump in an application where the Total Dynamic Head is less than the minimum Total Dynamic Head listed on the Pump Performance Curves.
7. For health reasons, do not unplug, turn off, or disable pump and use pump tank system as a way to fill up a sink or laundry tray, etc.
8. Pumps must be installed in accordance with the National Electrical Code and all applicable local codes and ordinances. Pumps are not to be installed in locations classified as hazardous in accordance with National Electric Code, ANSI, NFPA 70.

NOTE: Pumps with the "UL" mark and pumps with the "US" mark are tested to UL standard UL778. CSA certified pumps are certified to CSA standard C22.2 No. 108.

REFER TO WARRANTY ON PAGE 2.

LIMITED WARRANTY

Manufacturer warrants, to the purchaser and subsequent owner during the warranty period, every new product to be free from defects in material and workmanship under normal use and service, when properly used and maintained, for a period of one year from date of purchase by the end user, or 18 months from date of original manufacture of the product, whichever comes first. Parts that fail within the warranty period, one year from date of purchase by the end user, or 18 months from the date of original manufacture of the product, whichever comes first, that inspections determine to be defective in material or workmanship, will be repaired, replaced or remanufactured at Manufacturer's option, provided however, that by so doing we will not be obligated to replace an entire assembly, the entire mechanism or the complete unit. No allowance will be made for shipping charges, damages, labor or other charges that may occur due to product failure, repair or replacement.

This warranty does not apply to and there shall be no warranty for any material or product that has been disassembled without prior approval of Manufacturer, subjected to misuse, misapplication, neglect, alteration, accident or uncontrollable act of nature; that has not been installed, operated or maintained in accordance with Manufacturer's installation instructions; that has been exposed to outside substances including but not limited to the following: sand, gravel, cement, mud, tar, hydrocarbons, hydrocarbon derivatives (oil, gasoline, solvents, etc.), or other abrasive or corrosive substances, wash towels or feminine sanitary products,

etc. in all pumping applications. The warranty set out in the paragraph above is in lieu of all other warranties expressed or implied; and we do not authorize any representative or other person to assume for us any other liability in connection with our products.

Contact Manufacturer at, 3649 Cane Run Road, Louisville, Kentucky 40211, Attention: Customer Support Department to obtain any needed repair or replacement of part(s) or additional information pertaining to our warranty.

MANUFACTURER EXPRESSLY DISCLAIMS LIABILITY FOR SPECIAL, CONSEQUENTIAL OR INCIDENTAL DAMAGES OR BREACH OF EXPRESSED OR IMPLIED WARRANTY; AND ANY IMPLIED WARRANTY OF FITNESS FOR A PARTICULAR PURPOSE AND OF MERCHANTABILITY SHALL BE LIMITED TO THE DURATION OF THE EXPRESSED WARRANTY.

Some states do not allow limitations on the duration of an implied warranty, so the above limitation may not apply to you. Some states do not allow the exclusion or limitation of incidental or consequential damages, so the above limitation or exclusion may not apply to you.

This warranty gives you specific legal rights and you may also have other rights which vary from state to state.

In those instances where damages are incurred as a result of an alleged pump failure, the Homeowner must retain possession of the pump for investigation purposes.

DO'S & DON'T'S FOR INSTALLING UNIT

1. **DO** read all installation material with the unit.
2. **DO** inspect unit for any visible damage caused by shipping. Contact dealer if unit appears to be damaged.
3. **DO** remove all debris from the basin. Be sure that the pump will have a hard, level surface beneath it. **DO NOT** install on sand, gravel or dirt.
4. **DO** be sure that the area is large enough to allow proper clearance for the level control switch(es) to operate properly.
5. **DO Always Disconnect Pump From Power Source Before Handling.** **DO** always connect to a separately protected and properly grounded circuit. **DO NOT** ever cut, splice, or damage power cord (Only splice in a watertight junction box). **DO NOT** carry or lift pump by its power cord. **DO NOT** use an extension cord.
6. **DO** install a check valve and a union in the discharge line. **DO NOT** use a discharge pipe smaller than the pump discharge.
7. **DO NOT** utilize this unit for pumping gasoline or other hazardous liquids.
8. **DO** test pump immediately after installation to be sure the system is working properly.
9. **DO** review all applicable governing codes and verify that the installation conforms to each of them.
10. **DO** consult manufacturer for clarifications or questions.
11. **DO** consider a two-pump system with an alarm where an installation may become overloaded or primary pump failure would result in property damages.
12. **DO** consider a D.C. Backup System where a sump or dewatering pump is necessary for the prevention of property damages from flooding due to A.C. power disruptions, mechanical or electrical problems or system overloading.
13. **DO** inspect and test system for proper operations at least every 3 months.

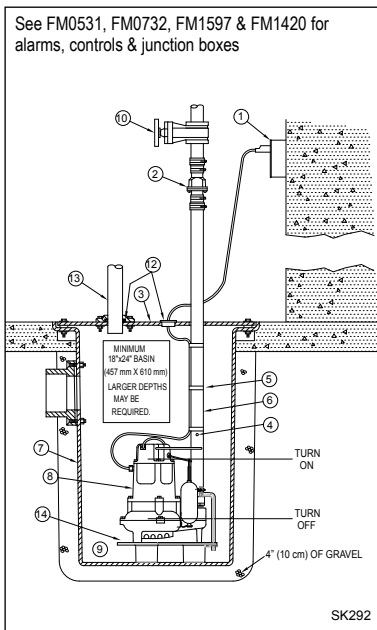
SERVICE CHECKLIST

CONDITION	COMMON CAUSES
A. Pump will not start or run.	Check fuse, low voltage, overload open, open or incorrect wiring, open switch, impeller or seal bound mechanically, motor or wiring shorted. Float assembly held down. Switch, damaged or out of adjustment.
B. Motor overheats and trips overload or blows fuse.	Incorrect voltage, negative head (discharge open lower than normal) impeller or seal bound mechanically, motor shorted.
C. Pump starts and stops too often.	Float switch tether length too short, check valve stuck open, or none installed in long distance line, overload open, bidding, sump pit too small.
D. Pump will not shut off.	Debris under float assembly, float bound by basin sides or other, switch, damaged or out of adjustment.
E. Pump operates but delivers little or no water.	Check inlet, strainer housing, discharge pipe, and vent holes for obstructions. Discharge head exceeds pump capacity. Low or incorrect voltage. Incoming water containing air or causing air to enter pumping chamber. Incorrect motor rotation. (3 phase pumps only)
F. Drop in head and/or capacity after a period of use.	Increased pipe friction, clogged line or check valve. Abrasive material and adverse chemicals could possibly deteriorate impeller and pump housing. Check line. Remove base and inspect.
G. Tank or fittings leak.	Carefully tighten pipe joints (use pipe dope) and screws. Check gasket location, tighten lid evenly. Do not over tighten fittings or screws.

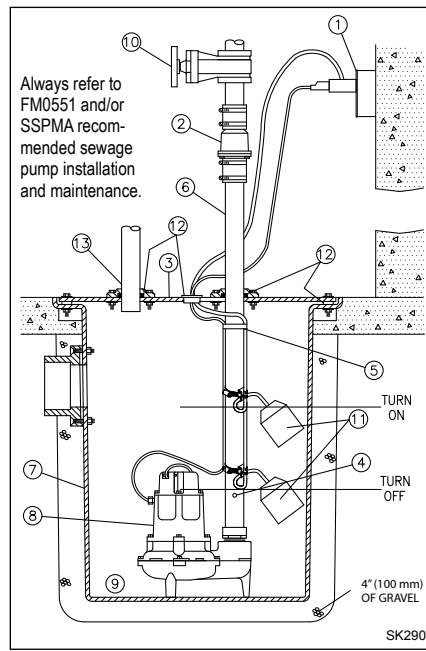
If the above checklist does not reveal the problem, consult the Product Support Department. Do not attempt to service or otherwise disassemble pump. Service must be performed by a Zoeller Authorized Service Station.

RECOMMENDED INSTALLATION FOR ALL APPLICATIONS

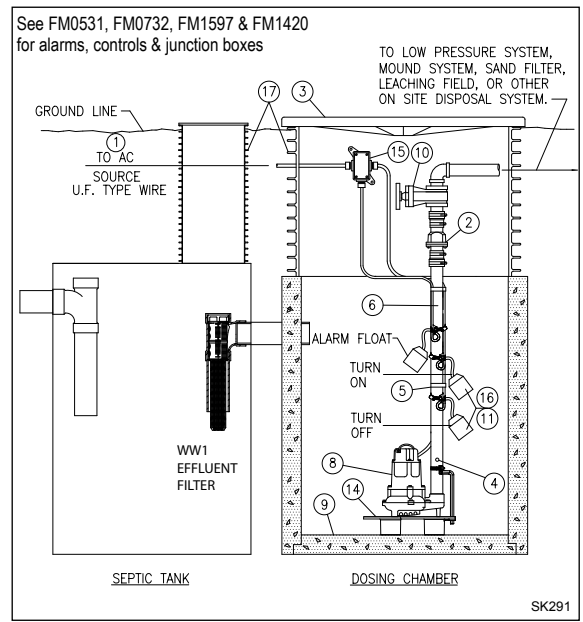
1. Electrical wiring and protection must be in accordance with governing electrical codes.
2. All installations require a basin cover to prevent debris from falling into the basin and to prevent injury.
3. Install proper Zoeller unichuck (combination union and check valve), preferably just above the basin to allow easy removal of the pump for cleaning or repair. If high head or below cover installation is required, use 30-0164 on 1½" pipe, 30-0152 on 2" pipe and 30-0160 on 3" pipe.
4. When a Unichuck is installed, drill a 3/16" diameter hole in the discharge pipe even with the top of the pump. **NOTE: THE HOLE MUST ALSO BE BELOW THE BASIN COVER AND CLEANED PERIODICALLY.** (High Head unit see "Caution" on front page). Water stream will be visible from this hole when pump is operating.
5. Securely tape or clamp power cord to discharge pipe, clear of the float mechanism(s).
6. Use a discharge pipe equivalent in diameter to the pump's discharge.
7. Basin must be in accordance with governing codes and specifications.
8. Pump must be level and float mechanism(s) clear of sides of basin before starting pump.
9. Basin must be clean and free of debris after installation.
10. Gate valve, shut-off valve, or ball valve to be supplied by installer and installed according to any and all codes.
11. Locate float switches as shown in sketches. The best place for the "off" point is above the motor housing and positioned 180° from the inlet. Never put "off" point below discharge on pump.
12. Gas-tight seals are required to contain gases and odors.
13. Vent gases and odors to the atmosphere through vent pipe.
14. Optional pump stand (P/N 10-2421) eliminates the need for blocks or bricks under the pump. For use with effluent and dewatering pumps only.
15. Optional watertight control box available, see FM1597 for details.
16. For proper spacing of "On" - "Off" switches refer to local or national standards and guidelines.
17. Optional septic tank risers for easy access to pump, controls and filters.



TYPICAL DEWATERING INSTALLATION



TYPICAL SEWAGE INSTALLATION

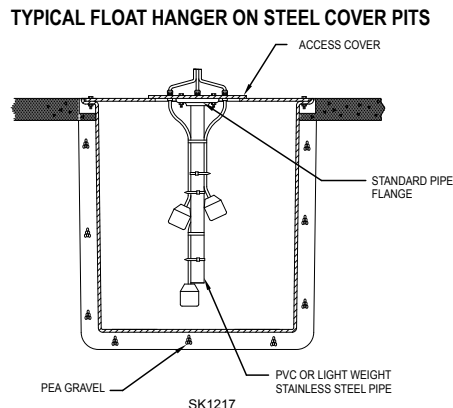


TYPICAL EFFLUENT INSTALLATION

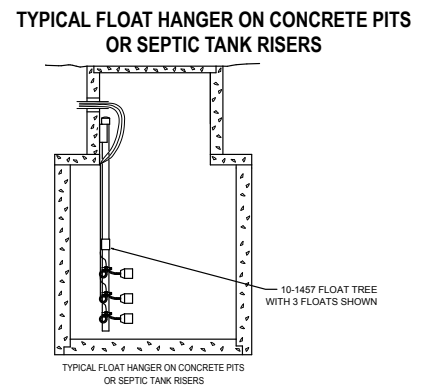
All installations must comply with all applicable electrical and plumbing codes, including, but not limited to, National Electrical Code, local, regional, and/or state plumbing codes, etc. Not intended for use in hazardous locations.

Suggested Methods Of Float Installation

On some installations, it may be desirable to install an independent hanger for the level control switches to avoid possible hang-ups on the pumps, piping, valves, etc. Float hangers are available from Zoeller Company on Catalog Sheet FM0526 or can be fabricated from standard pipe and fittings.

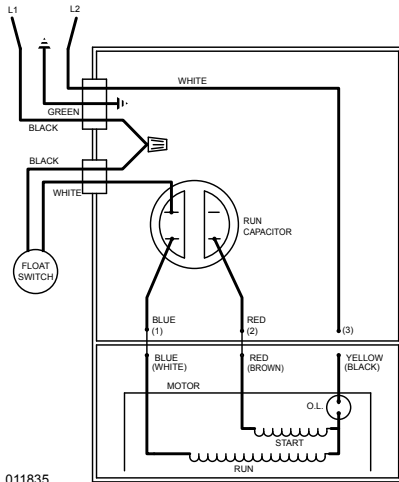


SK1217



SK1218

WD & WH MODEL INSTALLATION



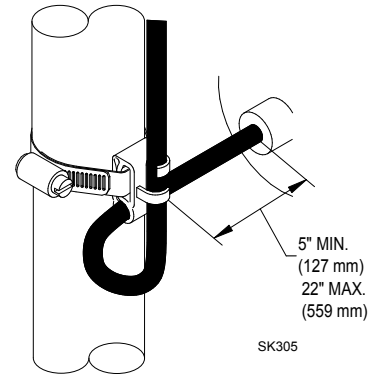
011835
WIRING DIAGRAM FOR MODELS
 WD - 230V, 1 Ph, 60 Hz.
 WH - 200/208V, 1 Ph, 60 Hz.

**Determining Pumping Range
in Inches (1 inch = 2.5 cm)**

Tether Length	5	10	15	20	22
	min.				max.
Pumping Range	9	13.5	18	22	24

Use only as a guide. Due to weight of cable, pumping range above horizontal is not equal to pumping range below horizontal. Ranges are based on testing in nonturbulent conditions. Range may vary due to water temperature and cord shape. As tether length increases, so does the variance of the pumping range.

Models WD & WH are fully automatic. A float switch is included and factory-wired in the pump circuit to provide automatic operation once the float switch is secured properly to the outlet pipe. Use the diagram above to secure the float switch properly and obtain the proper tether to customize the on-off cycle to each application.



20 AMP SWITCH (WD & WH MODELS)

Note: Failure to keep within proper tether limits may prevent reliable switch operation.

Note: Cable must be mounted in horizontal position.

SINGLE PHASE WIRING INSTRUCTIONS



▲ WARNING FOR YOUR PROTECTION, ALWAYS DISCONNECT PUMP FROM ITS POWER SOURCE BEFORE HANDLING. Single phase pumps are supplied with a 3-prong grounded plug to help protect you against the possibility of electrical shock. **DO NOT UNDER ANY CIRCUMSTANCES REMOVE THE GROUND PIN.** The 3-prong plug **must** be inserted into a mating 3-prong grounded receptacle. If the installation does not have such a receptacle, it must be changed to the proper type, wired and grounded in accordance with the National Electrical Code and all applicable local codes and ordinances.



▲ WARNING Risk of electrical shock. Do not remove power supply cord and strain relief or connect conduit directly to the pump.

▲ WARNING Installation and checking of electrical circuits and hardware should be performed by a qualified licensed electrician.

▲ WARNING Units supplied without a plug (single and three phase) and single phase nonautomatic units with a 20 amp plug must have a motor control and liquid level control provided at time of installation. The control device should have suitable voltage, ampere, frequency, grounding and horsepower rating for the pump to which it is connected.

THREE PHASE WIRING INSTRUCTIONS



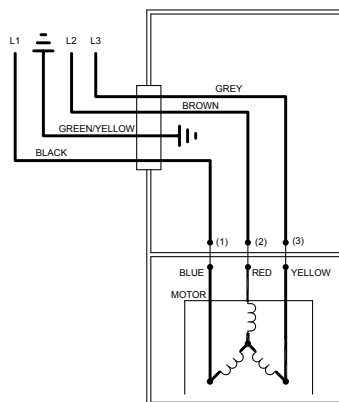
▲ WARNING FOR YOUR PROTECTION, ALWAYS DISCONNECT PUMP FROM ITS POWER SOURCE BEFORE HANDLING.

To automatically operate a nonautomatic three phase pump, a control panel is required. Follow the instructions provided with the panel to wire the system. For automatic three phase pumps, see automatic 3 phase wiring diagram located to the far right.

Before installing a pump, check the pump rotation to ensure that wiring has been connected properly to power source, and that the green lead of power cord (see wiring diagram) is connected to a valid ground. Momentarily energize the pump, observing the directions of kick back due to starting torque. Rotation is correct if kick back is in the opposite direction of rotation arrow on the pump casing. If rotation is not correct, switching of any two power leads other than ground, should provide the proper rotation.

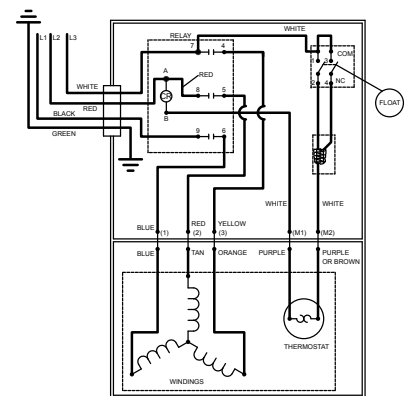
All three phase pumps require motor starting devices with motor overload protection. See FM0486 for duplex installations. Pumps **must** be installed in accordance with the National Electrical Code and all applicable local codes and ordinances. Pumps are not to be installed in locations classified as hazardous in accordance with National Electrical Code, ANSI/NFPA 70.

NONAUTOMATIC 3 PHASE



006848

AUTOMATIC 3 PHASE



013071

IMPORTANT NOTICE: Some insurance policies, both commercial and residential, extend coverage for damages incurred by product failure. You will need to have possession of the product to support your claim in most cases. Zoeller Pump Co. will exchange the unit or refund the original purchase price once the claim is settled with the insurer in the case where you need to retain possession of the product to support a damage claim you submit to your insurance company.

Su tranquilidad es nuestra mayor prioridad™



PUMP COMPANY

Zoeller Family of Water Solutions™

DIRECCIÓN POSTAL: P.O. BOX 16347 • Louisville, KY 40256-0347 USA
DIRECCIÓN PARA ENVÍOS: 3649 Cane Run Road • Louisville, KY 40211-1961 USA
 +1 (502) 778-2731 • FAX +1 (502) 774-3624

visite a nuestro sitio web:
www.zoeller.com

La información presentada adentro refleja condiciones al tiempo de publicación. Consultar la fábrica sobre discrepancias o contradicciones.

Registre en línea su producto de Zoeller Pump Company:
<http://reg.zoellerpumps.com/>

INSTRUCCIONES DE INSTALACIÓN

MODELOS RECOMENDADOS

FECHA DE INSTALACIÓN:
 NÚMERO DE MODELO:

EFLUENTES*/SUMIDERO/ACHIQUE	AGUAS NEGRAS
Series 55 / 59, 70, 73, 75, 139	Serie 211, 212
Series 140 / 4140, 145 / 4145, 160 / 4160	Series 270 / 4270
Series 180-4180 Series, 191, 371, 372, 373	Series 280 / 4280, 290/4290

AVISO: AGUJERO DE VENTILACIÓN PARA LA VÁLVULA DE RETENCIÓN. VEA EL NRO. 3 EN LA SECCIÓN DE PRECAUCIONES A CONTINUACIÓN Y EL NRO. 4 EN LA PÁGINA 7.

* En los sistemas de efluentes se debería especificar que las bombas no impulsen sólidos que sean mayores de 19 mm (3/4 pulg.) para evitar la entrada de sólidos grandes en campos de drenaje, sistemas de montículos, etc. [la serie 70 tiene capacidad para 9 mm (3/8 pulg.), las series 50, 140/4140, 371 y 372 de 13 mm (1/2 pulg.), y las series 145/4145, 160/4160, 180/4180, 373 de 19 mm (3/4 pulg.)] Si los códigos lo permiten, en los sistemas de efluentes se pueden utilizar bombas para aguas negras. Se recomienda utilizar bombas no automáticas con control de nivel externo para impulsar efluentes en fosas sépticas.

LISTA DE VERIFICACIÓN DE PRE-INSTALACIÓN - TODAS LAS INSTALACIONES

- 1. Inspeccione todos materiales.** Ocasionalmente, los productos se dañan durante el envío. Si la unidad está dañada, comuníquese con su vendedor antes de usarla. **NO** quite los tapones de prueba de la bomba.
- 2. Lea cuidadosamente toda la literatura** provista para familiarizarse con los detalles específicos relacionados con la instalación y uso. Estos materiales deberán guardarse para referencia futura.



ADVERTENCIA

VER ABAJO LA LISTA DE ADVERTENCIAS

- Para reducir el riesgo de descarga eléctrica, se debe instalar un tomacorriente propiamente conectado a tierra o una caja de control según los códigos gobernantes. Nunca se debe quitar la clavija de puesta a tierra.
- Asegúrese de que el tomacorriente o caja de control esté al alcance del cable de alimentación eléctrica de la bomba. **NO USE UN CABLE DE EXTENSIÓN.** Los cables de extensión que son demasiado largos o livianos no suministran voltaje suficiente al motor de la bomba y presentan un peligro a la seguridad si el aislante se daña o el extremo de conexión cae dentro de una, área mojada.
- Asegúrese de que el circuito de alimentación eléctrica de la bomba esté equipado con fusibles o interruptores de circuito de capacidad adecuada. Se recomienda un circuito auxiliar, del tamaño de acuerdo a los códigos eléctricos para la corriente que se muestra en la etiqueta de nombre de la bomba.
- Prueba de puesta a tierra.** Como medida de seguridad, cada tomacorriente debe verificarse para puesta a tierra usando un analizador de circuitos, el cual indicará si los alambres de energía, neutrales y de puesta a tierra están conectados correctamente a su tomacorriente. Si no lo están, llame a un técnico electricista calificado.
- PARA SU PROTECCIÓN, SIEMPRE DESCONECTE LA BOMBA DE LA FUENTE DE ALIMENTACIÓN ELÉCTRICA ANTES DE MANIPULARLA.** Las bombas monofásicas se suministran con enchufes de 3 patillas con puesta a tierra son diseñados para ayudar a protegerle contra la posibilidad de descarga eléctrica. **NO RETIRE BAJO NINGUNA CIRCUNSTANCIA LA CLAVIJA DE PUESTA A TIERRA.**
- La instalación y verificación de la bomba, de los circuitos eléctricos y del equipo deberán llevarse a cabo por un técnico electricista calificado.
- Riesgo de descarga eléctrica.** No quite el cable de alimentación eléctrica ni el dispositivo de alivio de tensión y no conecte un conductor directamente a la bomba. Si está dañado el cable eléctrico se debe reemplazarlo un representante autorizado por Zoeller.
- La bomba contiene aceite, lo que se pone presurizado y caliente cuando funciona. Permita 2-1/2 horas después de desconectar la bomba antes de manipularla.
- No use la bomba para agua potable porque el aceite en la bomba lo puede contaminar.
- Riesgo de descarga eléctrica.** No se ha investigado el uso de estas bombas en áreas marinas y en piscinas.
- Este producto contiene sustancias químicas que de acuerdo al estado de California (Prop 65) pueden causar cáncer y defectos congénitos u otros daños a la salud reproductiva.

PRECAUCIÓN

VER ABAJO LA LISTA DE PRECAUCIONES

- Asegúrese de que la fuente de energía eléctrica sea capaz de manejar los requisitos de voltaje del motor, según se indica en la etiqueta de nombre de la bomba.
- La instalación de bombas automáticas con interruptores de flotador de nivel variable o las bombas no automáticas que usan interruptores de flotador de nivel variable auxiliares es responsabilidad del instalador y deberá verificarse que el interruptor de flotador atado no se enganchará en el aparato de la bomba ni en las peculiaridades del foso y que está fijado de manera que permita la parada de la bomba. Se recomienda usar tubería y empalmes rígidos y que el foso tenga 45 cm (18 pulg.) o más de diámetro.
- Agujero de ventilación. Es necesario que todas las bombas sumergibles de sumidero, efluentes y de aguas negras capaces de manejar residuos sólidos de varios tamaños tengan la entrada en la parte inferior para reducir el atascamiento y las fallas del sello. Si se incorpora a la instalación una válvula de retención, deberá perforarse un agujero de ventilación de aprox. 5 mm (3/16 pulg.) en la tubería de descarga debajo de la válvula de retención y de la tapa del foso a fin de purgar la unidad del aire atrapado. Deberá revisarse periódicamente el agujero de ventilación para verificar que no esté atascado. Un agujero de ventilación en una aplicación de carga elevada podría causar demasiada turbulencia. Si decide no perforar un agujero de ventilación, asegúrese de que la caja de la bomba y el impulsor estén cubiertos de líquido antes de conectar la tubería a la válvula de retención y que no haya ningún tipo de entrada de aire en la vía de entrada de la bomba. **NOTA: EL AGUJERO TAMBIÉN DEBERÁ ESTAR POR DEBAJO DE LA TAPA DEL SUMIDERO Y SE DEBERÁ LIMPIARLO PERIÓDICAMENTE.** Se verá un chorro de agua saliendo del agujero durante los periodos de bombeo.
- Se debe revisar la bomba frecuentemente para asegurarse de que no hay escombros y/o acumulación que pueda interferir con la posición "on" (encendido) o "off" (apagado) del flotador. La reparación y servicio deberá hacerse solamente por personal de una estación de servicio autorizada por Zoeller Pump Company.
- La temperatura de funcionamiento máxima para bombas de modelo estándar no debe superar 54°C (130°F). La temperatura máxima de las series 70 y 211 no debe superar 43°C (110°F). La temperatura máxima de las series 73, 75, y 212 no debe superar 40°C (104°F).
- No opere la bomba en una aplicación donde la carga dinámica total sea menor que la carga dinámica total mínima que se indica en la curva de rendimiento de la bomba.
- Por razones de salud, no desenchufe, apague o desactive la bomba para llenar un fregadero o tina de lavandería, etc.
- Las bombas se deben instalar conforme al Código Eléctrico Nacional y a todos los códigos y ordenanzas locales que correspondan. Las bombas no se deben instalar en sitios peligrosos conforme a la clasificación del Código Eléctrico Nacional, ANSI/NFPA 70.

AVISO: Las bombas con la marca "UL" y "US" han sido probadas de acuerdo al estándar UL778. Las bombas "aprobadas por CSA" están certificadas de acuerdo al estándar CSA C22.2 No. 108.

REFIÉRASE A LA GARANTÍA EN LA PÁGINA 6.

GARANTÍA LIMITADA

El Fabricante garantiza, al comprador y el propietario subsiguiente durante el período de garantía, que cada producto nuevo está libre de defectos en materiales y mano de obra bajo condiciones de uso y servicio normales, cuando se usa y mantiene correctamente, durante un período de un año a partir de la fecha de compra por parte del usuario final, o por 18 meses de la fecha de fabricación original del producto, lo que ocurra primero. Las partes que fallen durante el período de garantía, un año a partir de la fecha de compra por parte del usuario final, o 18 meses de la fecha de fabricación original del producto, lo que ocurra primero, cuyas inspecciones determinen que presentan defectos en materiales o mano de obra, serán reparadas, reemplazadas o remanufacturadas a opción del Fabricante, con la condición sin embargo de que por hacerlo no estemos en la obligación de reemplazar un ensamblaje completo, el mecanismo entero o la unidad completa. No se dará concesión alguna por costos de envío, daños, mano de obra u otros cargos que pudieran surgir por falla, reparación o reemplazo del producto.

Esta garantía no aplica a y no se ofrecerá garantía alguna por ningún material o producto que haya sido desarmado sin aprobación previa del Fabricante, o que haya sido sometido a uso indebido, aplicación indebida, negligencia, alteración, accidente o acto de naturaleza; que no haya sido instalado, usado o mantenido según las instrucciones de instalación del Fabricante; que haya sido expuesto a sustancias foráneas que incluyen pero no se limitan a lo siguiente: arena, grava, cemento, lodo, alquitrán, hidrocarburos, derivados de hidrocarburos (aceite, gasolina, solventes, etc.), u otras sustancias abrasivas o corrosivas, toallas para lavar o productos sanitarios femeninos, etc. en todas las aplicaciones de

bombeo. La garantía presentada en el párrafo anterior deja sin efecto cualquier otra garantía expresa o implícita; y no autorizamos a ningún representante u otra persona para que asuma por nosotros ninguna otra responsabilidad con respecto a nuestros productos.

Comuníquese con el Fabricante en 3649 Cane Run Road, Louisville, KY 40211 EE.UU., Attention: Customer Support Department, para obtener cualquier reparación necesaria o reemplazo de partes o información adicional sobre nuestra garantía.

EL FABRICANTE EXPRESAMENTE RECHAZA RESPONSABILIDAD POR DAÑOS ESPECIALES, EMERGENTES O INCIDENTALES O POR INCUMPLIMIENTO DE LA GARANTÍA EXPRESA O IMPLÍCITA; Y CUALQUIER GARANTÍA IMPLÍCITA DE IDONEIDAD PARA UN FIN PARTICULAR Y DE COMERCIALIZACIÓN SE LIMITARÁ A LA DURACIÓN DE LA GARANTÍA EXPRESA.

Algunos estados no permiten limitaciones en la duración de una garantía implícita, de forma que la limitación anterior podría no aplicar a usted. Algunos estados no permiten la exclusión o limitación de daños incidentales o emergentes, de forma que la limitación o exclusión anterior podría no aplicar a usted.

Esta garantía le otorga a usted derechos legales específicos y podría tener otros derechos que varían de un estado a otro.

En aquellas instancias en que haya daños causados por una presunta falla de la bomba, el propietario deberá conservar la bomba a fin de investigar dicha falla.

Lo Que Debe Y No Debe Hacer Para Instalar Una Bomba De Sumidero

1. **LEA** todo el material sobre la instalación provisto con la unidad.
2. **INSPECCIONE** la unidad para ver si hay cualquier daño visible causado durante el envío. Comuníquese con el vendedor si la unidad está dañada.
3. **RETIRE** todos los escombros del sumidero. Asegúrese de que la bomba se apoyará sobre una superficie dura, plana y estable. **NO LA INSTALE** sobre arena, grava o tierra.
4. **ASEGÚRESE** de que la área sea suficientemente grande para permitir el funcionamiento correcto de los interruptores de control de nivel.
5. **SIEMPRE desconecte la bomba de la fuente de alimentación eléctrica antes de manipularla.** **SIEMPRE** conecte la bomba a un circuito protegido separadamente y con puesta a tierra adecuado. **NO** corte, empalme o dañe el cable de alimentación eléctrica. (Empalme únicamente cuando hay una caja de conexión hermética.) **NO** transporte o levante la bomba por su cable de alimentación eléctrica. **NO** use un cable de extensión.
6. **INSTALE** una válvula de retención y una unión en la tubería de descarga. **NO** use una tubería de descarga de menor tamaño que la descarga de la bomba.
7. **NO** esta unidad para bombear gasolina u otros líquidos peligrosos.
8. **PRUEBE** la bomba inmediatamente después de su instalación para asegurarse de que el sistema funciona correctamente.
9. **EXAMINE** todos los códigos gobernantes y verifique que la instalación esté de acuerdo a cada uno de ellos.
10. **CONSULTE** con el fabricante si necesita aclaraciones o tiene preguntas.
11. **CONSIDERE** un sistema de dos bombas con alarma en donde la instalación puede sobrecargarse o la falla de una bomba primaria causaría daños a la propiedad.
12. **CONSIDERE** un sistema de apoyo de CD en donde una bomba de achique o sumidero es necesaria para prevenir daños a la propiedad debido a inundación causada por interrupciones en el suministro de energía eléctrica, problemas mecánicos o eléctricos, o sobrecarga del sistema.
13. **INSPECCIONE** y pruebe el funcionamiento del sistema por lo menos cada 3 meses.

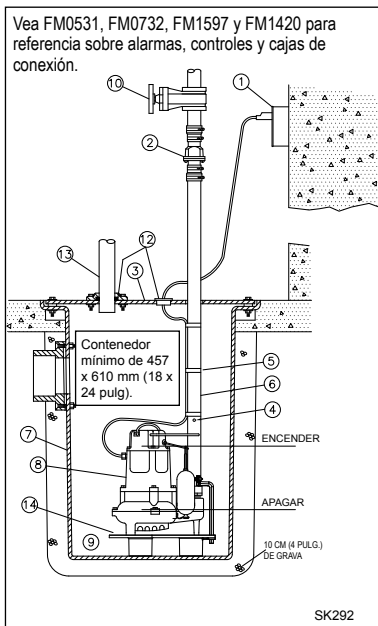
Lista De Verificación De Servicio

CONDICIÓN	CAUSAS COMUNES
A. La bomba no arranca o no funciona.	Verifique el fusible, voltaje bajo, protección contra sobrecarga abierta, cableado abierto o incorrecto, interruptor abierto, impulsor o sello trabado mecánicamente, motor o cableado eléctrico en corto circuito. Conjunto del flotador enganchado. Dañado o fuera de punto.
B. El motor se sobrecalienta y activa la protección contra sobrecarga o desconecta el fusible.	Voltaje incorrecto, carga negativa (descarga abierta menos de lo normal), impulsor o sello trabado mecánicamente, motor en corto circuito.
C. La bomba se enciende y se apaga muy a menudo.	El flotador está apretado en la varilla, la válvula de retención está atascada o no hay una instalada en una línea de larga distancia, protección contra sobrecarga abierta, foso del sumidero demasiado pequeño.
D. La bomba no se apaga.	Hay escombros debajo del conjunto del flotador, el flotador o la varilla del flotador están trabados por los lados del foso u otros, dañado o fuera de punto.
E. La bomba funciona pero sin o con poca agua.	Verifique la entrada, la caja del filtro y la tubería de descarga, el agujero de ventilación debe estar sin obstrucciones. La carga de descarga excede la capacidad de la bomba. (bombas trifásicas solamente) Capacitor defectuoso. El agua de entrada contiene aire o hace que el aire entre en la bomba.
F. Caída en la carga y/o capacidad después de un período de uso.	Aumento de fricción en la tubería, línea o válvula de retención atascada. Material abrasivo o productos químicos adversos podrían haber deteriorado el impulsor o el cárter de la bomba. Revise la línea. Quite la base e inspeccione.
G. El tanque o los acoplamientos tienen fugas.	Apriete cuidadosamente las juntas de la tubería (utilice lubricante para tubería) y los tornillos. Verifique la ubicación de la empaquetadura, apriete la tapa de manera uniforme. No apriete en exceso los acoplamientos o los tornillos.

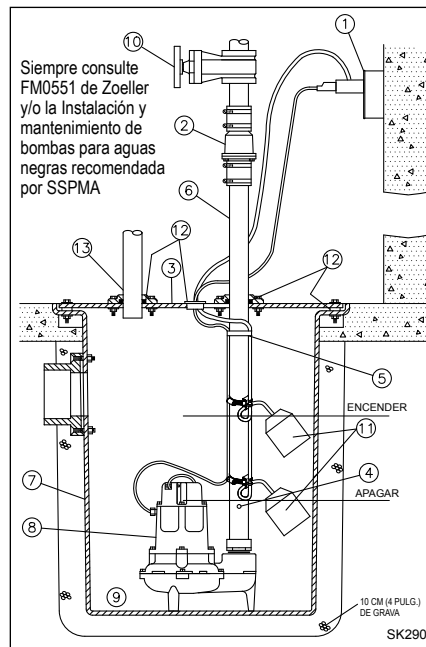
Si la lista de verificación arriba mencionada no revela el problema, consulte con el departamento de Product Support. No intente proporcionar algún servicio o desarmar la bomba. Las estaciones de servicio autorizadas por Zoeller deberán proporcionar dicho servicio.

INSTALACIÓN RECOMENDADA PARA TODAS LAS APLICACIONES

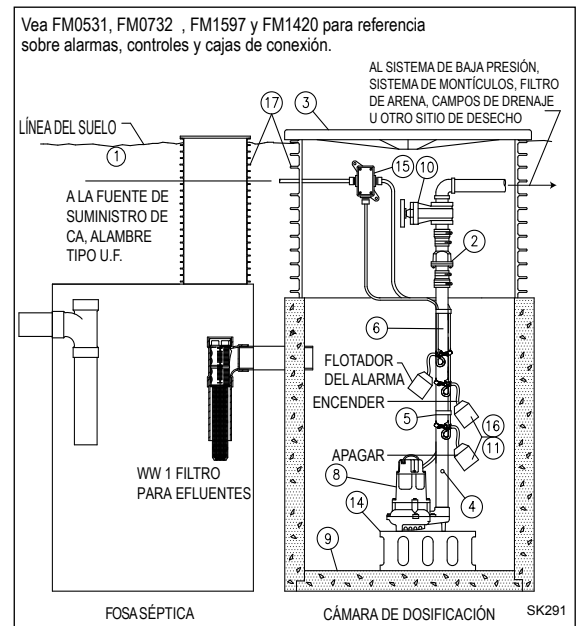
1. El cableado y la protección eléctrica deben estar de acuerdo con los códigos eléctricos gobernantes.
2. Todas las instalaciones requieren una tapa para prevenir que escombros caigan dentro del estanque y prevenir lesiones accidentales.
3. Instale el "Unicheck" (combinación de unión y válvula de retención) apropiado de Zoeller, luego arriba del estanque para que se pueda quitar fácilmente la bomba para su limpieza o reparación. Si requiere instalación de carga elevada o por debajo de la tapa, use 30-0164 en tubería de DN40 (1½ pulg.), 30-0152 en tubería de DN50 (2 pulg.) y 30-0160 en tubería de DN80 (3 pulg.).
4. Cuando instale un "Unicheck", perforo un agujero de 5 mm (3/16 pulg.) de diámetro en la tubería de descarga al mismo nivel de la parte superior de la bomba. **NOTA: EL AGUJERO TAMBIÉN DEBERÁ ESTAR POR DEBAJO DE LA TAPA DEL ESTANQUE Y SE DEBE LIMPIARLO PERIÓDICAMENTE.** (Para unidades de carga elevada, ver el número 3 de la lista de "Precauciones" en la página 5.) Se verá un chorro de agua saliendo del agujero durante los períodos de bombeo.
5. Fije firmemente el cable de alimentación eléctrica al tubo de descarga con cinta o abrazadera.
6. Use tubería de descarga de tamaño completo.
7. El contenedor para agua debe estar de acuerdo con los códigos y las especificaciones aplicables.
8. La bomba debe estar nivelada y el mecanismo del flotador libre de los lados del contenedor para agua antes de encender la bomba.
9. El contenedor para agua debe estar limpio y libre de escombros después de la instalación.
10. El instalador deberá suministrar una válvula de paso directo, de apago o bola y instalarla de acuerdo con cualesquiera y todos los códigos.
11. La ubicación de los interruptores de flotador es como se muestra en los esquemas. El punto "off" (apagado) debe estar por encima de la carcasa del motor y a 180° de la entrada. Nunca ubicar el punto "off" debajo de la entrada de la bomba.
12. Los sellos herméticos contra gases son necesarios a fin de contener los gases y olores.
13. Ventile los gases y olores a la atmósfera a través del tubo de ventilación.
14. Instale el soporte para bomba Zoeller (Modelo 10-2421) debajo de la bomba para proporcionar un sumidero de decantación (sólo para efluente y achique).
15. Una caja hermética de control opcional está disponible.
16. Para determinar la posición de los interruptores "on-off" (encendido/apagado), ver los estándares nacionales y locales.
17. Se debe usar tubos verticales en la fosa séptica para tener fácil acceso a la bomba y al filtro.



INSTALACIÓN TÍPICA PARA ACHIQUE



INSTALACIÓN TÍPICA PARA AGUAS NEGRAS



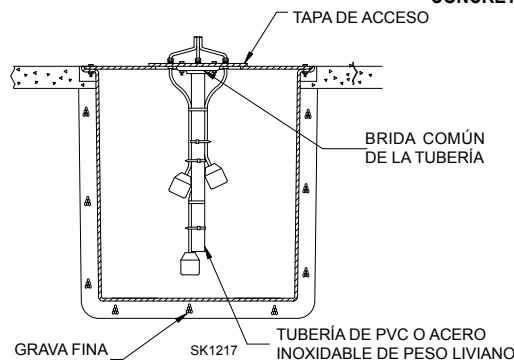
INSTALACIÓN TÍPICA PARA EFLUENTES

Todas las instalaciones deben cumplir con todos los códigos eléctricos y de instalación sanitaria aplicables, incluyendo, pero sin limitarse al Código Eléctrico Nacional, los códigos locales, regionales y/o los códigos estatales de instalación sanitaria, etc. No se debe usar las instalaciones en lugares peligrosos.

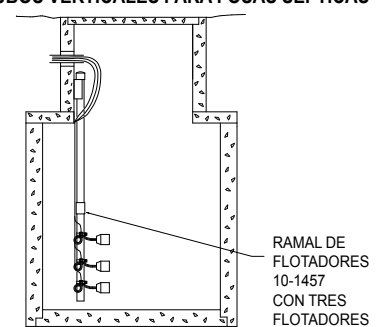
Métodos Sugeridos Para La Instalación Del Flotador

En algunas instalaciones es deseable instalar un soporte colgante independiente para los interruptores de control de nivel para evitar posibles enganches en las bombas, tubería, válvulas, etc. Los soportes colgantes del flotador se pueden comprar de Zoeller Company según la Hoja de catálogo FM0526, o fabricarse de tubería y empalmes comunes.

SOPORTE COLGANTE PARA FLOTADOR TÍPICO EN FOSOS CON TAPA DE ACERO



SOPORTE COLGANTE PARA FLOTADOR TÍPICO EN FOSOS DE CONCRETO O TUBOS VERTICALES PARA FOSAS SÉPTICAS



SK1218

INSTALACIÓN DE LOS MODELOS WD Y WH

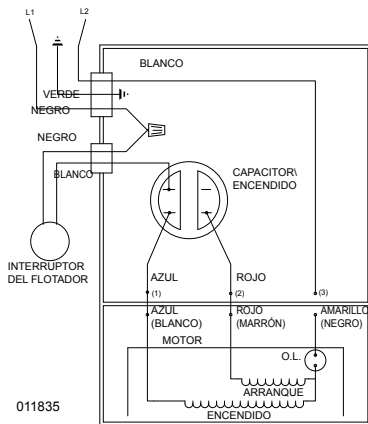


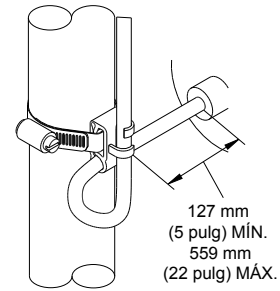
DIAGRAMA DE CABLEADO PARA LOS MODELOS:
WD-230V, 1 FASE, 60 HZ
WH-200/208V, 1 FASE, 60 HZ

Determinación del rango de bombeo en pulgadas (1 pulg. = 2,5 cm)

Longitud de la atadura	5	10	15	20	22
		mín.			máx.
Rango de bombeo	9	13.5	18	22	24

Usar solamente como guía. Debido al peso del cable, el rango de bombeo sobre la horizontal no es igual al rango de bombeo debajo de la horizontal. Los rangos se basan en pruebas en condiciones no turbulentas. El rango puede variar debido a la temperatura del agua y a la forma del cable. A medida que aumenta la longitud de la atadura, también aumenta la variación en el rango de bombeo.

Los modelos WD y WH son completamente automáticos. Se incluye un interruptor de flotador con cableado de fábrica en el circuito de la bomba para proveer una operación automática una vez que el interruptor de flotador se haya atado correctamente a la tubería de salida. Use el diagrama de arriba para asegurar correctamente el interruptor de flotador y obtener la atadura apropiada para adecuar el ciclo de encendido-apagado a cada aplicación.



INTERRUPTOR DE 20 AMPERIOS
(MODELOS WD Y WH)

Nota: No tener en cuenta los límites adecuados de la atadura podría alterar el funcionamiento seguro del interruptor.

Nota: El cable debe ser instalado en posición horizontal.

INSTRUCCIONES PARA EL CABLEADO MONOFÁSICO



ADVERTENCIA

PARA SU PROTECCIÓN, SIEMPRE DESCONECTE LA BOMBA DE LA FUENTE DE ALIMENTACIÓN ELÉCTRICA ANTES DE MANIPULARLA. Las bombas monofásicas se suministran con enchufes de 3 patillas con puesta a tierra para ayudar a protegerle contra la posibilidad de descarga eléctrica. **NO RETIRE BAJO NINGUNA CIRCUNSTANCIA LA CLAVIJA DE PUESTA A TIERRA.** Los enchufes de 3 patillas se deben introducir en un tomacorriente para 3 patillas apropiado. Si la instalación no posee un tomacorriente de este tipo, se debe cambiar por uno apropiado, cableado y con puesta a tierra de acuerdo al Código Eléctrico Nacional y a todas las ordenanzas y códigos locales aplicables.



ADVERTENCIA

Riesgo de descarga eléctrica. No quite el cable de alimentación eléctrica ni el dispositivo de alivio de tensión y no conecte un conductor directamente a la bomba.

ADVERTENCIA

La instalación y verificación de los circuitos eléctricos y del equipo deberán llevarse a cabo por un técnico electricista calificado.

ADVERTENCIA

A las unidades que se suministran sin enchufe (monofásico y trifásico) y a las unidades monofásicas no automáticas que poseen un enchufe de 20 amperios se les debe conectar un control de motor y un control de nivel de líquidos durante la instalación. Los niveles de voltaje, amperaje, frecuencia, puesta a tierra y potencia del dispositivo de control deben ser apropiados para la bomba a la cual se conecta.

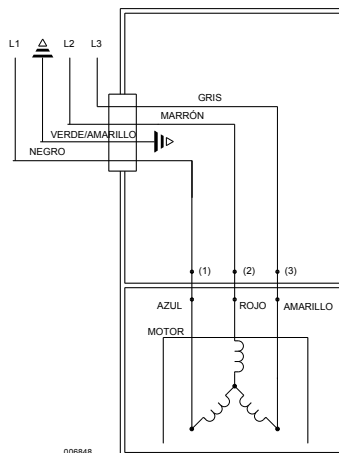
INSTRUCCIONES PARA EL CABLEADO TRIFÁSICO

Las bombas trifásicas no son automáticas. Para operarlas automáticamente se requiere un panel de control. Siga las instrucciones provistas con el panel para completar el cableado del sistema. Para bombas trifásicas automáticas, ver el diagrama de cableado para bombas trifásicas automáticas a la derecha.

Antes de instalar una bomba, verifique la rotación de la misma para asegurarse de que los cables se hayan conectado correctamente a la fuente de alimentación eléctrica y que el conductor verde del cable de alimentación eléctrica (ver el diagrama de cableado) está conectado con puesta a tierra adecuada. Active momentáneamente la bomba, observando la dirección del retroceso debido a la torsión de arranque. La rotación es correcta si el retroceso está en dirección opuesta a la flecha de rotación en la caja de la bomba. Si la rotación no es correcta, cambiar dos de cualquiera de los conductores eléctricos, excepto el con puesta a tierra, proveerá la rotación apropiada.

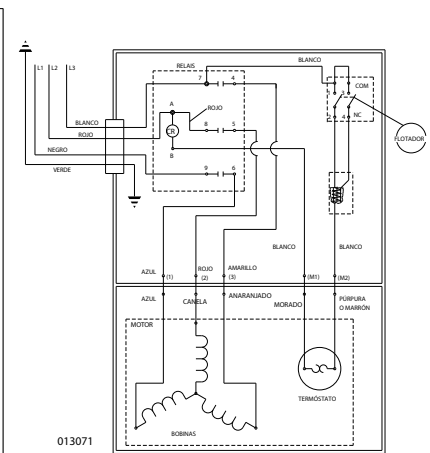
Todas las bombas trifásicas requieren dispositivos de arranque del motor con protección contra sobrecarga. Vea FM0514 para instalaciones simplex o FM0486 para instalaciones duplex. Las bombas se deben instalar de acuerdo al Código Eléctrico Nacional y a todas las ordenanzas y códigos locales aplicables. Las bombas no se deben instalar en sitios clasificados como peligrosos según el Código Eléctrico Nacional ANSI/NFPA 70.

NO AUTOMÁTICA 3 - F



008848

AUTOMÁTICA 3 - F



013071



ADVERTENCIA

PARA SU PROTECCIÓN, SIEMPRE DESCONECTE LA BOMBA DE LA FUENTE DE ALIMENTACIÓN ELÉCTRICA ANTES DE MANIPULARLA.

AVISO IMPORTANTE: Ciertas pólizas de seguro, tanto comerciales como residenciales, extienden la cobertura a los daños causados por la falla del producto. En la mayoría de los casos, usted deberá conservar el producto para respaldar su reclamo. Zoeller Pump Co. reemplazará la unidad o reembolsará el precio de compra original una vez que la compañía de seguros liquide el reclamo, en el caso de que usted necesite conservar el producto para respaldar un reclamo por daños que le haya presentado a su compañía de seguros.



PUMP COMPANY

Zoeller Family of Water Solutions™

ADRESSE POSTALE : P.O. BOX 16437 • Louisville, KY 40256-0347 USA
 ADRESSE PHYSIQUE : 3649 Cane Run Road • Louisville, KY 40211-1961 USA
 TÉL : +1 (502)778-2731 • FAX +1 (502) 774-3624

Visitez notre site internet:
www.zoeller.com

Les renseignements présentés dans ce document représentent les conditions au moment de la publication. Consulter l'usine en cas de désaccord et de manque de cohérence.

Enregistrez votre produit
 Zoeller Pump Company
 en ligne:
<http://reg.zoellerpumps.com/>

DATE D'INSTALLATION :
NUMÉRO DE MODÈLE :

INSTRUCTIONS D'INSTALLATION MODÈLES RECOMMANDÉS

EFFLUENTS* / PUISARD / ASSÈCHEMENT	ÉGOUT
Séries 55 / 59, 70, 73, 75, 139	Série 211, 212
Séries 140 / 4140, 145 / 4145 / 160 / 4160	Séries 270 / 4270
Séries 180 / 4180, 191, 371, 372, 373	Séries 280 / 4280, 290 / 4290

AVIS : TROU D'ÉVENT POUR LE CLAPET DE SÉCURITÉ VOIR N° 3 CI-DESSOUS ET N° 4 PAGE 11.

* Les systèmes d'effluent doivent indiquer que les pompes ne peuvent pas traiter de matières solides de plus de 19 mm (3/4 po) pour empêcher que les matières solides ne pénètrent dans les champs d'épuration, les systèmes hors sol, etc. [la capacité de traitement est de 9 mm (3/8 po) par les séries 70, de 13 mm (1/2 po) par les séries 50, 140/4140, 371 et 372, de 16 mm (5/8 po) par la série 130 et de 19 mm (3/4 po) par les séries 145/4145, 160/4160, 180/4180, 373.] Lorsque le code du bâtiment le permet, on peut utiliser des pompes pour relèvement d'eaux usées avec des systèmes d'effluent. On recommande une pompe/des pompes non automatique(s) à commande de niveau externe pour des applications d'effluent de fosse septique.

LISTE DE VÉRIFICATIONS AVANT L'INSTALLATION - TOUTES LES INSTALLATIONS

1. Inspecter tout matériaux. De temps en temps, la pompe est endommagée en cours d'expédition. Si la pompe est endommagée, contacter le distributeur avant de l'utiliser. NE PAS enlever les bouchons test de la pompe.
2. Il faut lire attentivement tous les documents fournis pour se familiariser avec les détails spécifiques de l'installation et de l'utilisation. Il faut conserver ces documents pour pouvoir les consulter ultérieurement.



AVERTISSEMENT

VOIR PLUS BAS POUR LA LISTE DES AVERTISSEMENTS

1. Pour réduire les risques d'électrocution, il faut installer une prise ou un boîtier de commande correctement mis à la terre en conformité à toutes les normes des codes électriques nationaux et locaux applicables.
2. Il faut vérifier que la prise est à portée du cordon d'alimentation de la pompe. NE PAS UTILISER DE RALLONGE. Les rallonges trop longues ou de trop faible capacité ne fournissent pas la tension nécessaire au moteur de la pompe, et elles peuvent être dangereuses si l'isolant est endommagé ou si l'extrémité avec le branchement tombe dans un endroit humide ou mouillé.
3. Vérifier que le circuit d'alimentation de la pompe est équipé de fusibles ou de disjoncteurs de capacité appropriée. Il est recommandé d'installer un circuit indépendant de capacité suffisante, conforme aux codes électriques nationaux pour la capacité indiquée sur la plaque d'identification de la pompe.
4. **Vérification de la mise à la terre.** Pour des raisons de sécurité, il faut vérifier la terre de chaque prise électrique en utilisant un analyseur de circuit sur la liste d'Underwriters Laboratory qui indique si les fils de phase, de neutre et de terre de la prise sont branchés correctement. S'ils ne sont pas branchés correctement, appeler un électricien agréé qualifié.
5. **POUR DES RAISONS DE SÉCURITÉ, IL FAUT TOUJOURS DÉBRANCHER L'ALIMENTATION DE LA POMPE AVANT DE LA MANIPULER.** Les pompes monophasées sont équipées d'un cordon avec fiche à trois broches de mise à terre pour protéger contre les électrocutions. IL NE FAUT JAMAIS ENLEVER LA BROCHE DE MISE À TERRE.
6. L'installation et la vérification de l'équipement électrique doivent être faites par un électricien qualifié.
7. **Risque d'électrocution.** Ne pas enlever le cordon d'alimentation ni le distributeur de tension mécanique, ni brancher le conduit directement à la pompe.
8. La pompe contient de l'huile sous pression et chaude lorsqu'elle fonctionne. Attendre 2 heures et demie après l'avoir débranchée avant de commencer l'entretien.
9. La pompe n'est pas conçue pour l'eau potable, car elle peut être contaminée par la présence d'huile.
10. **Risque d'électrocution.** L'usage de ce type de pompe dans une piscine de natation et des zones marines n'a pas été étudié.
11. Ce produit contient des produits chimiques dont l'état de la Californie (Prop 65) a déterminé comme étant la cause de cancer et de déficiences à la naissance ou autres dommages reproductifs.

MISE EN GARDE

VOIR PLUS BAS POUR LA LISTE DES MISES EN GARDE

1. Vérifier que le circuit d'alimentation a une capacité suffisante pour alimenter le moteur, comme indiqué sur la pompe ou sur la plaque d'identification de l'appareil.
2. L'installateur est responsable de l'installation des interrupteurs à niveau variable et il doit s'assurer que l'interrupteur à flotteur est installé fermement pour qu'il n'accroche pas à la pompe ni au puits pour permettre l'arrêt de la pompe. Il est recommandé d'utiliser du tuyau et des raccords rigides et le puits doit avoir un diamètre supérieur à 45 cm (18").
3. **Trou d'évent.** Il est nécessaire que la pompe submersible, les pompes à effluents et d'égout capables de passer des solides de différentes tailles aient leur alimentation à la base pour réduire le colmatage et la défaillance des joints. Si l'installation comprend un clapet de sécurité, il faut percer un trou d'évent d'environ 5 mm (3/16") dans le tuyau de refoulement au-dessous du clapet de sécurité et le couvercle pour purger l'air de l'appareil. Il faut vérifier périodiquement que le trou d'évent n'est pas colmaté. Le trou d'évent de l'application à une hauteur de refoulement dynamique élevée peut causer une turbulence trop élevée. S'il est décidé de ne pas percer de trou d'évent, il faut s'assurer que le carter et le rotor de la pompe sont couverts de liquide avant de brancher le tuyau sur le clapet anti-retour. **REMARQUE - LE TROU DOIT AUSSI ÊTRE AU-DESSOUS DU COUVERCLE DU PUIT ET IL FAUT LE NETTOYER RÉGULIÈREMENT.** Un jet d'eau sera visible de cette orifice durant les périodes de fonctionnement de la pompe.
4. Il faut vérifier fréquemment qu'il n'y a pas de débris ni d'accumulation pouvant interférer avec le déplacement du flotteur de marche / arrêt. Les réparations ne doivent être faites que par un centre de réparation agréé par Zoeller Pump Company.
5. La température de fonctionnement maximale d'une pompe standard ne peut pas être plus de 54°C (130°F). La température maximale des pompes série 70 et 211 ne peut pas dépasser 43°C (110°F). La température maximale des pompes série 73, 75, et 212 ne peut pas dépasser 40°C (104°F).
6. Il ne faut pas faire fonctionner la pompe dans une application où la hauteur de refoulement dynamique est inférieure à la hauteur de refoulement dynamique minimale donnée dans les courbes de refoulement et de capacité.
7. Pour des raisons sanitaires, ne pas débrancher, arrêter ou désactiver la pompe ni utiliser le réservoir de la pompe pour remplir un évier, un bac à laver, etc.
8. Les pompes doivent être installées conformément au code national d'électricité et à tout la législation et réglementation locales en vigueur. Les pompes ne doivent pas être installées dans des endroits classifiés à risque, conformément à la norme ANSI/NFPA 70 du Code national américain de l'électricité.

REMARQUE - Les pompes avec annotations "UL" et "US" sont vérifiées d'après la norme UL778. Les pompes certifiées CSA sont vérifiées d'après la norme C22.2 no 108.

SE RÉFÉRER À LA GARANTIE EN PAGE 10.

GARANTIE LIMITÉE

Le fabricant garantit à l'acheteur et au propriétaire ultérieur pendant la période de garantie, tout produit neuf contre tout vice de matériel et de main-d'œuvre, en utilisation normale et quand utilisé et entretenu correctement, pendant une période d'un an à compter de la date de l'achat par l'utilisateur final ou 18 mois à compter de la date de fabrication initiale, la première des deux périodes prévalant. Les pièces devenant défectueuses pendant la période de garantie, dans une période d'un an à compter de la date de l'achat par l'utilisateur final ou 18 mois à compter de la date de fabrication initiale du produit, la première des deux périodes prévalant, et que des inspections prouvent contenir des vices de fabrication ou de main-d'œuvre, seront réparées, remplacées ou renouvelées au choix du Fabricant, à condition qu'en faisant cela nous ne soyons pas obligés de remplacer l'ensemble, le mécanisme complet ou l'appareil complet. Aucune provision n'est faite pour les frais d'expédition, les dégâts, la main-d'œuvre ni d'autres frais causés par la défaillance, la réparation ou le remplacement du produit.

Cette garantie ne s'applique pas et ne couvre aucun matériel ou produit qui a été démonté sans l'autorisation préalable du Fabricant, soumis à un usage abusif, des applications incorrectes, de la négligence, des modifications, des accidents ou un cas de force majeure ; qui n'a pas été installé, utilisé ou entretenu selon les instructions d'installation du Fabricant; qui a été exposé, y compris, mais non de façon limitative, à du sable, des gravillons, du ciment, de la boue, du goudron, des hydrocarbures ou des dérivés d'hydrocarbures (huile, essence, solvants, etc.) ou à d'autres produits abrasifs ou corrosifs, serviettes ou produits d'hygiène féminine etc., dans toutes les applications

de pompage. La garantie mentionnée ci-dessus remplace toutes les autres garanties expresses ou implicites et nous n'autorisons aucun représentant ou autre personne à accepter la responsabilité en notre nom pour nos produits.

Prendre contact avec le Fabricant, 3649 Cane Run Road, Louisville, KY 40211, Attention: Customer Support, pour obtenir des réparations, des pièces de remplacement ou des renseignements supplémentaires concernant la garantie.

LE FABRICANT REFUSE EXPRESSÉMENT TOUTE RESPONSABILITÉ POUR LES DÉGÂTS SPÉCIAUX, INDIRECTS OU SECONDAIRES OU POUR LES RUPTURES DE GARANTIE EXPRESSES OU IMPLICITES; ET TOUTE GARANTIE IMPLICITE D'APPLICABILITÉ À UNE UTILISATION SPÉCIFIQUE OU DE COMMERCIALITÉ EST LIMITÉE À LA DURÉE DE LA GARANTIE EXPRESSE.

Certaines provinces ne permettent pas les limitations de la durée de la garantie implicite et il est possible que cette limitation ne s'applique pas. Certaines provinces ne permettent pas l'exclusion ou la limitation des dégâts secondaires ou indirects, et il est possible que cette limitation ou exclusion ne s'applique pas.

Cette garantie vous donne des droits spécifiques reconnus par la loi et vous pouvez également avoir d'autres droits qui varient d'une province à l'autre.

Lorsque des dégâts sont causés par une défaillance présumée de la pompe, le propriétaire doit garder la pompe en sa possession en vue d'enquête.

Conseils Pour L'installation D'une Pompe De Puisard

- IL FAUT** lire toutes les instructions d'installation fournies avec la unité.
- IL FAUT** vérifier que les appareils n'ont pas été endommagés en cours d'expédition. Contacter le distributeur si la unité a été endommagée.
- IL FAUT** nettoyer tous les débris dans le puisard. Vérifier qu'il y a une surface dure et plate à l'emplacement désiré pour la pompe. **NE PAS** installer la pompe sur du sable, du gravier ou de la terre.
- IL FAUT** vérifier que le puisard est assez large pour avoir de l'espace suffisant pour le bon fonctionnement des interrupteurs de commande de niveau.
- IL FAUT toujours débrancher l'alimentation de la pompe avant de la manipuler.**
IL FAUT toujours brancher la pompe sur un circuit séparé mis à la terre.
IL NE FAUT JAMAIS couper, faire une épissure ou endommager un cordon d'alimentation. (Pour faire une raccordement, il faut utiliser un boîtier de raccordement étanche.
IL NE FAUT PAS utiliser le cordon d'alimentation pour transporter ou soulever la pompe.
IL NE FAUT PAS utiliser de rallonge.
- IL FAUT** installer un clapet de sécurité et un raccord sur la conduite de refoulement.
IL NE FAUT PAS utiliser une conduite de refoulement de diamètre inférieur à celui du refoulement de la pompe.
- IL NE FAUT PAS** utiliser le pompe pour pomper de l'essence ou tout autre liquide dangereux.
- IL FAUT** essayer la pompe immédiatement après l'installation pour être certain que le système fonctionne correctement.
- IL FAUT** étudier tous les codes locaux et nationaux applicables et vérifier que l'installation est conforme.
- IL FAUT** consulter le fabricant pour obtenir des clarifications ou des réponses aux questions.
- IL FAUT** considérer un système à deux pompes avec une alarme quand l'installation peut être surchargée ou si une défaillance de la pompe primaire causait des dégâts importants.
- IL FAUT** considérer un système de secours en courant alternatif quand une pompe de puisard ou d'séchage mécanique est nécessaire pour éviter des dégâts matériels en cas d'inondation à la suite d'une panne d'alimentation secteur, de problème mécanique ou électrique ou de surcharge du système.
- IL FAUT** inspecter le système et vérifier son fonctionnement au moins tous les trois mois.

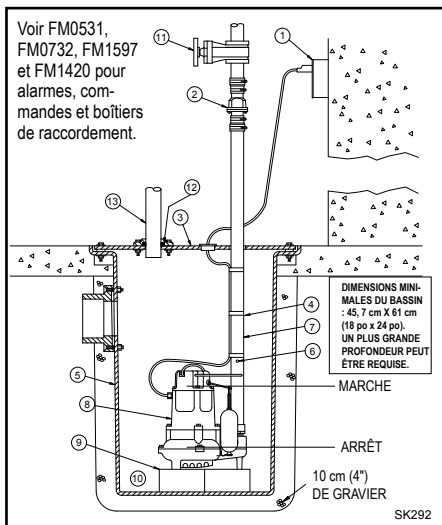
Liste De Vérifications Pour L'entretien

CONDITION	CAUSES FRÉQUENTES
A. La pompe ne démarre pas ou ne fonctionne pas.	Vérifier que le fusible est en bon état, que la tension est normale, que le circuit n'est pas surchargé et que le câblage est correct, que l'interrupteur n'est pas ouvert, qu'il n'y a pas de court-circuit dans le moteur ou le bobinage. Flotteur bloqué en position basse. Endommagé ou mal réglé.
B. Le moteur surchauffe et déclenche le disjoncteur ou la sécurité thermique	Mauvaise tension, hauteur de refoulement négative (refoulement ouvert au-dessous de la normale), blocage mécanique du rotor ou du joint, moteur court-circuité.
C. La pompe se met en marche et s'arrête trop fréquemment.	Flotteur grippé sur la tige, clapet de sécurité coincé ou pas de clapet installé sur une conduite longue, clapet de sécurité ouvert, puits trop petit.
D. La pompe ne s'arrête pas.	Débris sous le flotteur, flotteur ou tige du flotteur coincé contre la paroi du puits, endommagé ou mal réglé.
E. La pompe fonctionne mais son débit est faible ou non existant.	Vérifier le carter de crépine, le tuyau de refoulement ou, si un clapet de sécurité est installé, le trou d'évent. La hauteur de refoulement est supérieure à la capacité de la pompe. Mauvaise tension. (les pompe triphasées.) L'eau d'alimentation contient de l'air ou provoque l'entrée d'air dans la chambre de la pompe.
F. Baisse de capacité ou de hauteur de refoulement après une période d'utilisation.	Augmentation de la friction dans le tuyau de refoulement, tuyau ou clapet de sécurité colmaté. Des produits abrasifs ou des produits chimiques peuvent détériorer le rotor et le carter de pompe. Inspecter la conduite. Déposer la base et inspecter.
G. Fuites du réservoir ou des raccords.	Serrer avec précaution tous les joints (utiliser de la pâte à joint) et les vis. Vérifier la position du joint, serrer uniformément le couvercle. Ne pas trop serrer les raccords ni les vis.

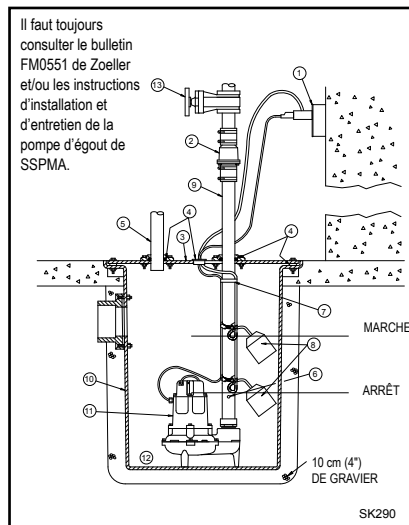
Si les vérifications ci-dessus ne résolvent le problème, consulter l'usine. Ne pas essayer de réparer ou de démonter la pompe. Toutes les réparations doivent être faites par un centre de réparation agréé par Zoeller.

INSTALLATION RECOMMANDÉE POUR TOUTES APPLICATIONS

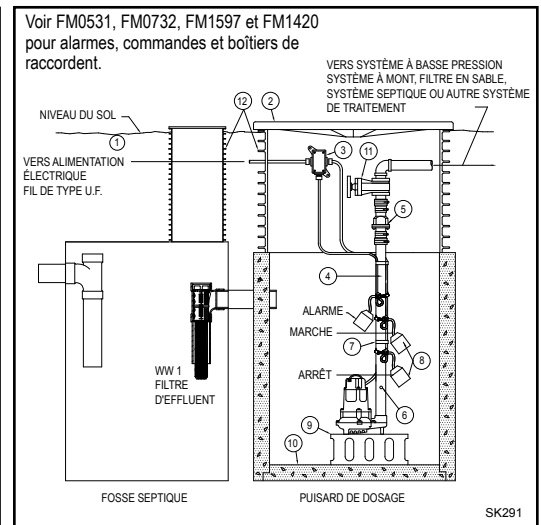
- (1) Les circuits et les protections électriques doivent être conformes aux normes des codes électriques nationaux, provinciaux et locaux.
- (2) Tous les puits doivent avoir un couvercle pour empêcher les débris d'y tomber et éviter les chutes accidentelles.
- (3) Installer un Unicheck (raccord / clapet de sécurité combiné) de Zoeller approprié, de préférence juste au-dessus du puits pour permettre la dépose de la pompe pour le nettoyage ou les réparations. Utiliser le modèle 30-0164 avec des tuyaux de DN40 (1½"), modèle 30-0152 avec des tuyaux de DN50 (2") et le modèle 30-0160 avec des tuyaux de DN80 (3") s'il faut une grande hauteur de refoulement ou en cas d'installation sous un couvercle.
- (4) Quand un Unicheck est installé, percer un trou de 5 mm (3/16") dans le tuyau de refoulement, de niveau avec le dessus de la pompe. Les pompes de la série 50 et 90 ont un trou d'évent intégré. **REMARQUE – LE TROU DOIT AUSSI ÊTRE AU-DESSOUS DU COUVERCLE DU PUIT ET IL FAUT LE NETTOYER RÉGULIÈREMENT** (pompes à hauteur de refoulement élevée, voir n° 3 de la première page « MISE EN GARDE »). Un jet d'eau sera visible de cette orifice durant les périodes de fonctionnement de la pompe.
- (5) Attacher fermement le cordon d'alimentation électrique sur le tuyau de refoulement en utilisant du chatterton ou des colliers.
- (6) Utiliser un tuyau de refoulement de pleines dimensions.
- (7) Le puits doit être conforme à tous les règlements applicables.
- (8) Avant la mise en service, la pompe doit être de niveau et le mécanisme du flotteur ne doit pas toucher les bords du puits.
- (9) Après l'installation, le puits doit être propre et ne doit pas contenir de débris.
- (10) L'installateur doit fournir la vanne d'arrêt et l'installer en respectant tous les codes.
- (11) Identifier les interrupteurs à flotteur indiqués dans les illustrations. Le point d'arrêt doit être au-dessus du carter du moteur et à 180° de l'admission. Le point d'arrêt ne se doit trouver jamais au-dessous du refoulement de la pompe (uniquement pour les systèmes d'eaux usées et d'effluent).
- (12) Pour éviter la propagation des gaz et des odeurs, toutes les installations doivent avoir des joints étanches.
- (13) Les gaz et les odeurs sont évacués à l'atmosphère au moyen d'un tuyau d'évent.
- (14) Installer la base de pompe Zoeller (modèle 10-2421) sous la pompe pour former un bassin de décantation (uniquement pour les systèmes d'effluent et d'assèchement)
- (15) Boîtier étanche en option. Voir FM1597.
- (16) Consulter les normes des codes applicables afin de déterminer le modèle d'interrupteur de marche / arrêt à utiliser.
- (17) Un accès à la fosse septique doit être prévu pour l'entretien du filtre et de la pompe.



INSTALLATION TYPIQUE POUR L'ASSÈCHEMENT MÉCANIQUE



INSTALLATION TYPIQUE POUR ÉGOUT



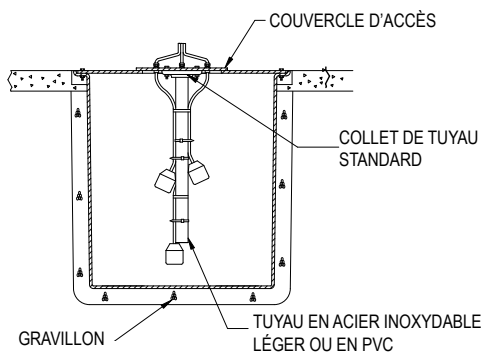
INSTALLATION TYPIQUE POUR LES EFFLUENTS

Toutes les installations doivent être conformes aux codes électriques et de plomberie applicables, y compris, mais pas limité aux codes électriques nationaux, locaux, régionaux et aux codes de plomberie provinciaux. Pas conçu pour utilisation dans les endroits dangereux.

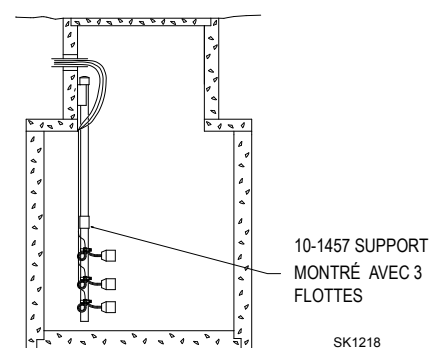
Méthodes Suggérées Pour L'installation Du Flotteur

Pour certaines installations, il peut être nécessaire d'installer un support indépendant pour les interrupteurs de commande de niveau pour éviter des accrochages possibles sur la pompe, la tuyauterie, les vannes, etc. Il est possible de fabriquer les supports de flotteur en utilisant des tuyaux et des raccords standard pour faciliter la dépose en cas de réparation. Les supports de flottes sont disponible chez Zoeller tel que décrit au feuillet FM0526 ou peuvent être fabriqué avec de la tuyauterie et des raccords standard.

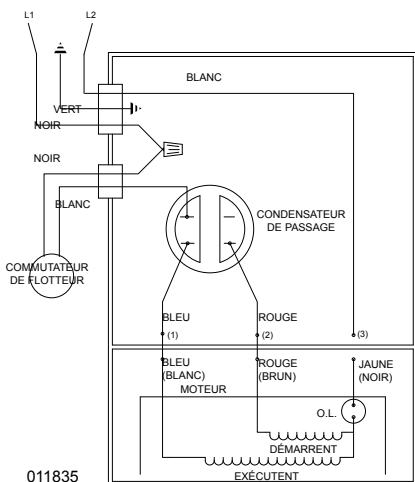
SUPPORT TYPIQUE DE FLOTTEUR POUR COUVERCLE DE PUIT EN ACIER



SUPPORT DE FLOTTE TYPIQUE POUR PUISARD EN BÉTON OU POUR PUIT D'ACCÈS DE FOSSE SEPTIQUE



INSTALLATION DES MODÈLES WD ET WH



011835

SCHÉMA ÉLECTRIQUE POUR LES MODÈLES

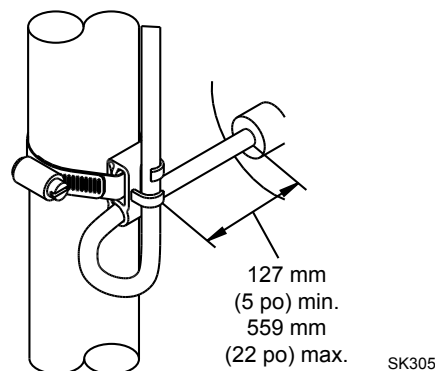
WD - 230 V, monophasé, 60 Hz
WH - 200/208, monophasé, 60 Hz

Définition de la plage de pompage en pouces (1 pouce = 2,5 cm)

Longueur du bras d'attache	5 min.	10	15	20	22 max.
Plage de pompage	9	13.5	18	22	24

Ce tableau ne doit être utilisé que comme guide. À cause du poids du câble, la plage de pompage au-dessus de l'horizontale n'est pas égale à la plage de pompage au-dessous de l'horizontale. Les plages sont basées sur des essais sans turbulence. La plage peut varier en fonction de la température de l'eau et de la forme du cordon. Plus le bras est long, plus les variations de plage de pompage sont importantes.

Les modèles WD et WH sont entièrement automatiques. Un interrupteur à flotteur est inclus et branché dans le circuit de la pompe pour permettre le fonctionnement automatique après avoir installé l'interrupteur à flotteur correctement sur le tuyau de refoulement. Il faut utiliser le schéma ci-dessus pour attacher correctement l'interrupteur à flotteur et obtenir un bras approprié pour modifier le cycle de marche-arrêt pour chaque application.



Interrupteur 20 amps (modèles WD et WH)

Remarque – L'interrupteur risque de mal fonctionner si le câble d'attache n'est pas maintenu dans les limites appropriées.

Remarque – Le câble doit être installé horizontalement.

INSTRUCTIONS DE BRANCHEMENT MONOPHASÉ



AVERTISSEMENT **POUR DES RAISONS DE SÉCURITÉ, IL FAUT TOUJOURS DÉBRANCHER L'ALIMENTATION ÉLECTRIQUE DE LA POMPE AVANT L'INTERVENTION.** Les pompes monophasées sont fournies avec une fiche à trois broches pour aider à protéger contre les risques d'électrocution. **IL NE FAUT JAMAIS ENLEVER LA BROCHE DE TERRE.** La fiche à trois broches **doit** être branchée dans une prise à trois alvéoles correspondantes. Si le circuit d'alimentation n'a pas une telle prise, il faut installer une prise du type approprié, branchée et mise à la terre selon le code national de l'électricité et tous les codes et règlements locaux appropriés.



AVERTISSEMENT **Risque d'électrocution.** Il ne faut pas enlever le cordon d'alimentation et le serre-câble ni brancher directement la pompe. L'installation et la vérification des circuits électriques et de la quincaillerie doivent être faites par un électricien qualifié.

AVERTISSEMENT Les unités non équipées d'une fiche (monophasée et triphasée) et les unités non automatiques monophasées à fiche de 20 ampères doivent être dotées d'une commande de moteur et d'un régulateur de niveau de liquide lors de l'installation. La tension, l'intensité, la fréquence, la mise à la terre et la puissance du dispositif de commande doivent s'accorder à la pompe sur lequel il est branché.

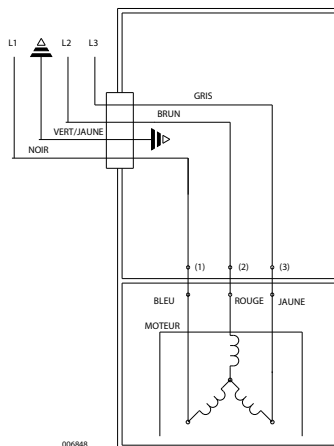
INSTRUCTIONS DE BRANCHEMENT TRIPHASÉ

Les pompes triphasées ne sont pas automatiques. Pour qu'elles fonctionnent automatiquement, il faut installer un panneau de commande. Pour brancher le système, suivre les instructions fournies avec le panneau de commande. Pour trois phases automatique les pompes voient le diagramme de câblage automatique de 3 phases situé vers le droit.

Avant d'installer la pompe, vérifier la rotation de la pompe pour être certain que les fils ont été branchés correctement sur l'alimentation et que le fil vert du cordon d'alimentation (voir schéma électrique) est branché sur une bonne terre. Mettre la pompe momentanément sous tension et observer la direction du retour causé par le couple de démarrage. La rotation est correcte si le retour est en sens contraire à la flèche de rotation dans le carter de la pompe. Si la rotation n'est pas correcte, inverser deux des fils de phase pour obtenir la bonne direction de rotation.

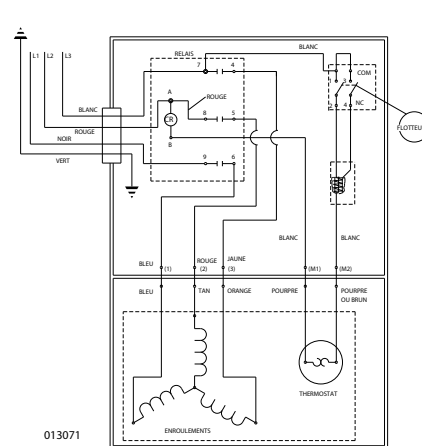
Toutes les pompes triphasées doivent être équipées d'un dispositif de démarrage, avec dispositif de protection contre la surcharge. Voir FM0486 pour les installations duplex. La pompe **doit** être branchée conformément au code national de l'électricité et tous les codes et règlements locaux appropriés. Il ne faut pas installer les pompes dans un endroit classé dangereux conformément au code national de l'électricité, ANSI/NFPA 70.

Pompe non-automatique triphasée



006488

Pompe automatique triphasée



013071



AVERTISSEMENT **POUR DES RAISONS DE SÉCURITÉ, IL FAUT TOUJOURS DÉBRANCHER L'ALIMENTATION ÉLECTRIQUE DE LA POMPE AVANT L'INTERVENTION.**

REMARQUE IMPORTANTE – Certaines polices d'assurance commerciales et résidentielles couvrent les dommages résultant d'une défaillance du produit. Dans la plupart des cas, vous devez être en possession du produit pour déposer une réclamation. Zoeller Pump Co. s'engage à remplacer l'appareil ou à rembourser le prix d'achat original après que l'assureur aura réglé la réclamation dans un cas où vous êtes tenu d'être en possession du produit pour documenter une réclamation soumise à votre assureur.