

ILLUSTRATED

PARTSLIST

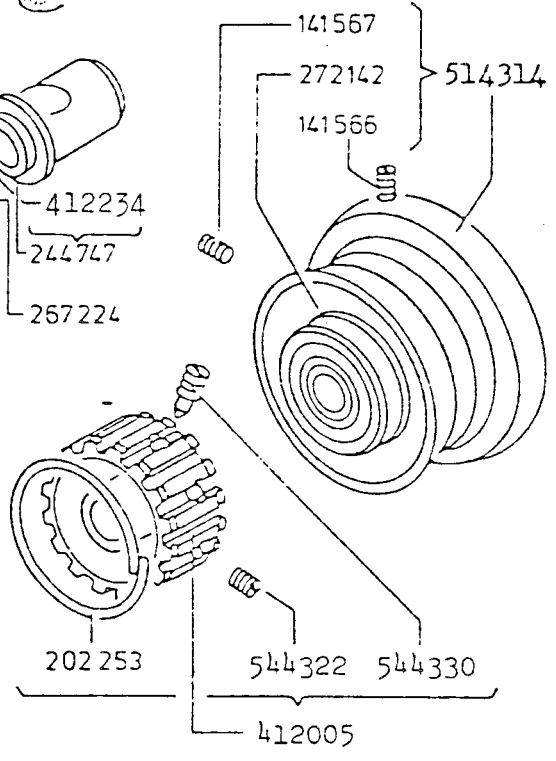
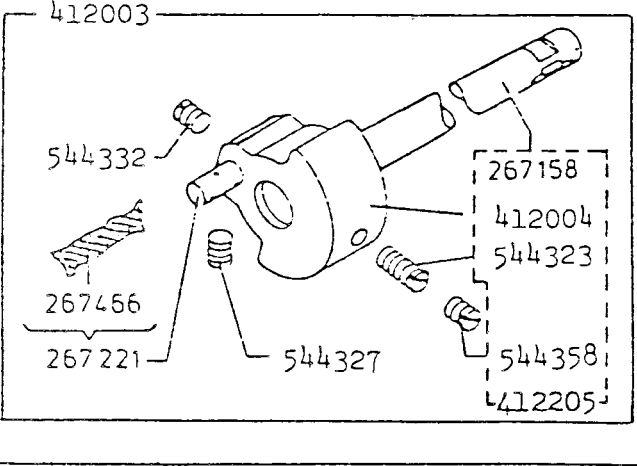
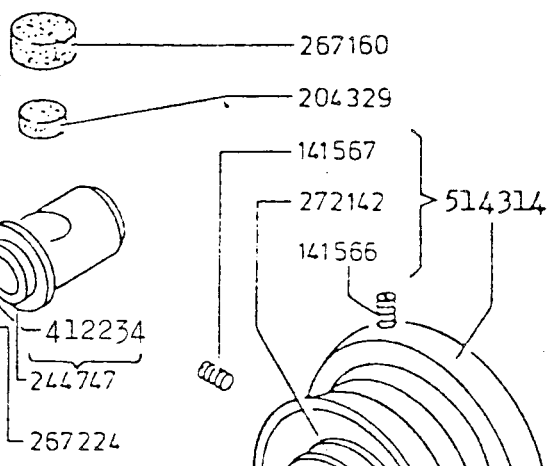
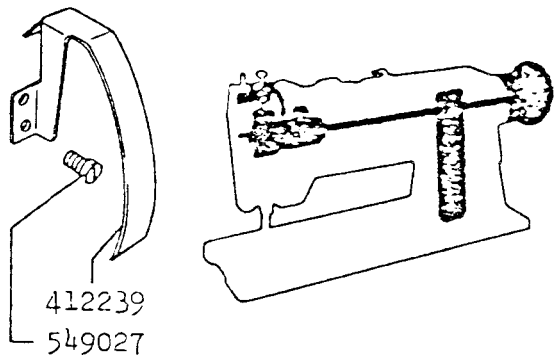
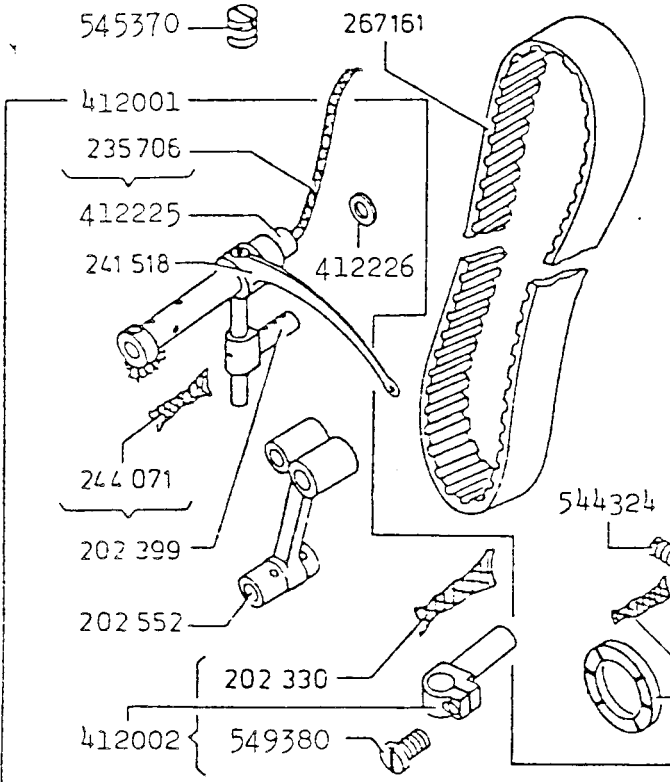
FOR

SINGER*

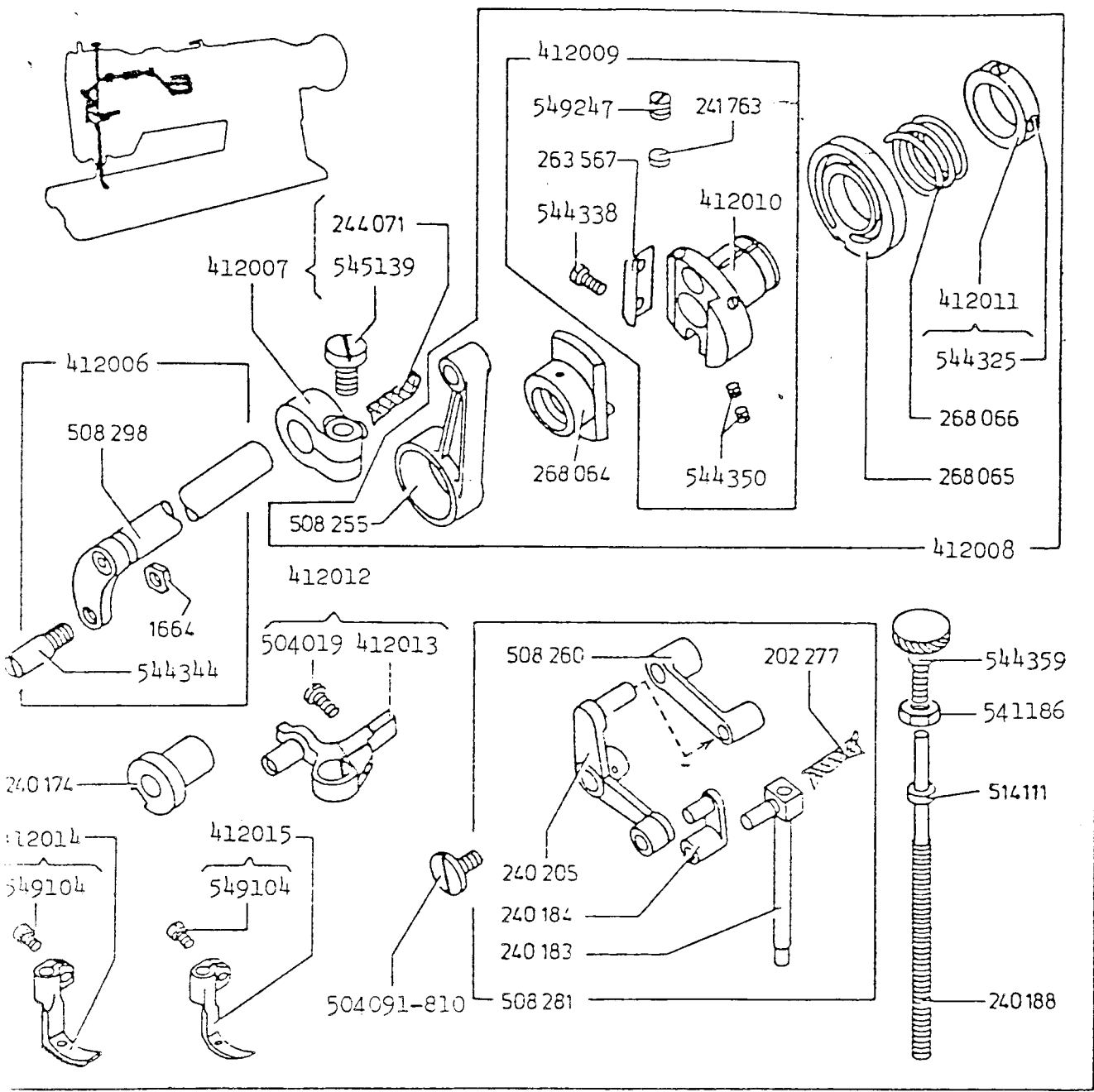
MACHINE

211U165A

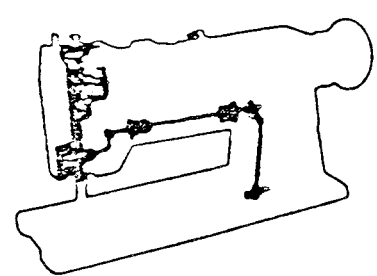
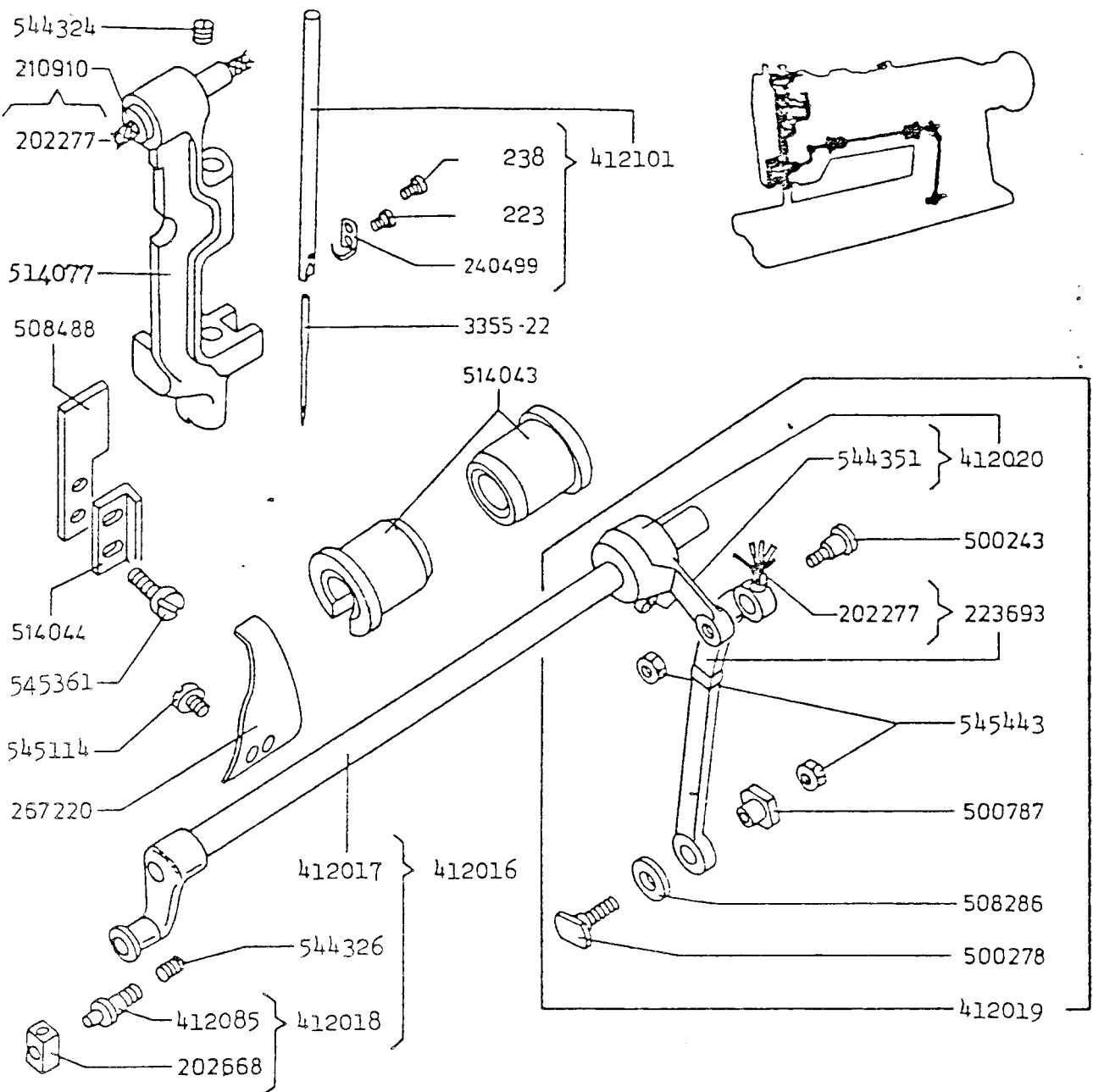
* A Trademark of THE SINGER COMPANY
Copyright © 1982 THE SINGER COMPANY
All Rights Reserved Throughout World



No.	212U141A 442A 212U157A 165A 166A 566A	Description
141566	* * * * *	Machine Pulley Position Screw
141567	* * * * *	Machine Pulley Set Screw
202253	* * * * *	Arm Shaft Connecting Belt Pulley Spring Flange (2)
202330	* * * * *	Needle Bar Connecting Stud Wick
202399	* * * * *	Take-up Lever Driving Stud with 244071
202552	* * * * *	Needle Bar Connecting Link
204329	* * * * *	Arm Shaft Bushing (front) Oil Pad (felt)(Lower)
235706	* * * * *	Take-up Lever Hinge Stud Oil Wick
241518	- - - * *	Take-up Lever
244071	* * * * *	Take-up Lever Driving Stud Oil Wick
244747	* * * * *	Arm Shaft Bushing (front) with 412234
267158	* * * * *	Arm Shaft
267160	* * * * *	Arm Shaft Bushing (front) Oil Pad (felt)(upper)
267161	* * * * *	Arm Shaft Connecting Belt
267221	* * * * *	Needle Bar Connecting Link Stud with 267466
267224	* * * * *	Needle Bar Crank Friction Washer
267466	* * * * *	Needle Bar Connecting Link Stud Wick
272142	* * * * *	Machine Pulley Ball Bearing (back)
412001	- - - * *	Arm Shaft Complete 202399, 202552, 241518, 412002, 412003, 412226
412002	- - - * *	Needle Bar Connecting Stud with 202330
412003	* * * * *	Arm Shaft Complete 267221, 412205, 544327, 544332
412004	* * * * *	Needle Bar Crank
412005	* * * * *	Arm Shaft Connecting Belt Pulley with 202253 (2), 544322, 544330
412205	* * * * *	Arm Shaft Complete 267158, 412004, 544323, 544358
412225	* * * * *	Take-up Lever Hinge Stud with 235706
412226	* * * * *	Take-up Lever Hinge Stud Wearing Washer
412234	* * * * *	Arm Shaft Bushing (front) Oil Wick
412239	* * * * *	Take-up Lever Guard
514314	- - - * *	Machine Pulley with 141566, 141567, 272142
544322	* * * * *	Arm Shaft Connecting Belt Pulley Set Screw
544323	* * * * *	Needle Bar Crank Position Screw
544324	* * * * *	Arm Shaft Bushing (frong) Set Screw
544327	* * * * *	Needle Bar Connecting Link Stud Set Screw
544330	* * * * *	Arm Shaft Connecting Belt Pulley Position Screw
544332	* * * * *	Needle Bar Connecting Link Stud Set Screw
544358	* * * * *	Needle Bar Crank Check Screw
545370	* * * * *	Take-up Lever Hinge Stud Set Screw
549027	* * * * *	Take-up Lever Guard Screw (2)
549380	* * * * *	Needle Bar Connecting Stud Pinch Screw



No.	212U141A 442A 212U157A 165A 166A 566A	Description
1664	- - - * * *	Lifting Bell Crank Link Screw Stud Nut
202277	- - - * * *	Vibrating Presser Bar Wick
240174	- - - * * *	Lifting Rock Shaft Bushing (2)
240183	- - - * * *	Vibrating Presser Bar
240184	- - - * * *	Vibrating Presser Bar Connecting Link
240188	- - - * * *	Vibrating Presser Bar Extension Spring
240205	- - - * * *	Lifting Bell Crank
241763	- - - * * *	Eccentric Friction Plate Screw Set Screw (2)
244071	- - - * * *	Lifting Eccentric Connection Crank Oil Wick
263567	- - - * * *	Lifting Eccentric Friction Plate
268064	- - - * * *	Lifting Eccentric
268065	- - - * * *	Lifting Eccentric Adjusting Disc
268066	- - - * * *	Lifting Eccentric Adjusting Disc Spring
412006	- - - * * *	Lifting Rock Shaft Complete 1664, 508298, 544344
412007	- - - * * *	Lifting Eccentric Connection Crank with 244071, 545139
412008	- - - * * *	Lifting Eccentric Complete 268064, 268065, 268066, 412009, 412011 508255
412009	- - - * * *	Lifting Eccentric Flange Complete 241763 (2), 263567, 412010, 544338 (2), 544350 (4), 549247 (2)
412010	- - - * * *	Lifting Eccentric Flange
412011	- - - * * *	Lifting Eccentric Adjusting Disc Spring Collar with 544325 (2)
412012	- - - * * *	Presser Bar Lifting Bracket with 412013, 504019
412013	- - - * * *	Presser Bar Lifting Bracket
412014	- - - * * *	Vibrating Presser Foot with 549104 (Optional)
412015	- - - * * *	Vibrating Presser Foot with 549104
504019	- - - * * *	Presser Bar Lifting Bracket Pinch Screw
504091-810	- - - * * *	Lifting Bell Crank Cap Screw
508255	- - - * * *	Lifting Eccentric Connection
508260	- - - * * *	Lifting Bell Crank Link
508281	- - - * * *	Vibrating Presser Bar with Bell Crank and Lifting Bell Crank Complete 202277, 240183, 240184 240205, 508260
508298	- - - * * *	Lifting Rock Shaft
514111	- - - * * *	Vibrating Presser Bar Extension
541186	- - - * * *	Vibrating Presser Bar Tumb Screw Lock Nut
544325	- - - * * *	Lifting Eccentric Adjusting Disc Spring Collar Set Screw (2)
544338	- - - * * *	Lifting Eccentric Friction Plate Screw (2)
544344	- - - * * *	Lifting Bell Crank Link Screw Stud
544350	- - - * * *	Lifting Eccentric Flange Set Screw (4)
544359	- - - * * *	Vibrating Presser Bar Thumb Screw (pressure regulating)
545139	- - - * * *	Lifting Eccentric Connection Crank Pinch Screw
549104	- - - * * *	Vibrating Presser Foot Pinch Screw
549104	- - - * * *	Vibrating Presser Foot Pinch Screw
549247	- - - * * *	Lifting Eccentric Friction Plate Screw Set Screw (2)



No.	212U141A 442A 212U157A 165A 166A 566A	Description
223	- - - * * *	Needle Set Screw
238	- - - * * *	Needle Bar Thread Guide Screw
3355-22	- - - * * *	Needle
202277	- - - * * *	Needle Bar Rock Frame Hinge Stud Oil Wick
202277	- - - * * *	Needle Bar Rock Frame Rock Shaft Crank Connection Oil Wick
202668	- - - * * *	Needle Bar Rock Frame Rock Shaft Slide Block
210910	- - - * * *	Needle Bar Rock Frame Hinge Stud with 202277
223693	- - - * * *	Needle Bar Rock Frame Rock Shaft Crank Connection with 202277
240499	- - - * * *	Needle Bar Thread Guide
267220	* * * * * *	Oil Guard
412016	- - - * * *	Needle Bar Rock Frame Rock Shaft Complete 412017, 412018, 544326
412017	- - - * * *	Needle Bar Rock Frame Rock Shaft
412018	- - - * * *	Needle Bar Rock Frame Rock Shaft Slide Block with 202668, 412085
412019	- - - * * *	Needle Bar Rock Shaft Connection Link Crank Complete 223693, 412020, 500243, 500278, 500787, 508286, 545443 (2)
412020	- - - * * *	Needle Bar Rock Shaft Connection Link Crank with 544351
412085	- - - * * *	Needle Bar Rock Frame Rock Shaft Slide Block Stud
412101	- - - * * *	Needle Bar with 223, 238, 240499
500243	- - - * * *	Needle Bar Rock Shaft Crank Hinge Screw
500278	- - - * * *	Needle Bar Rock Shaft Crank Link Slide Screw
500787	- - - * * *	Needle Bar Rock Shaft Crank Link Slide Screw Nut
508286	- - - * * *	Needle Bar Rock Shaft Crank Link Slide Screw Spacer
508488	- - - * * *	Presser Bar Guide
514043	- - - * * *	Needle Bar Rock Shaft Bushing (2)
514044	- - - * * *	Needle Bar Rock Frame Position Bracket
514077	- - - * * *	Needle Bar Rock Frame
544324	- - - * * *	Needle Bar Rock Frame Hinge Stud Set Screw
544326	- - - * * *	Needle Bar Rock Frame Rock Shaft Slide Block Stud Set Screw
544351	- - - * * *	Needle Bar Rock Shaft Connection Link Crank Pinch Screw
545114	* * * * * *	Oil Guard Screw (2)
545361	- - - * * *	Presser Bar Guide Screw (2)
545443	- - - * * *	Needle Bar Rock Shaft Crank Hinge Screw
545443	- - - * * *	Needle Bar Rock Shaft Crank Link Slide Screw Lock Nut

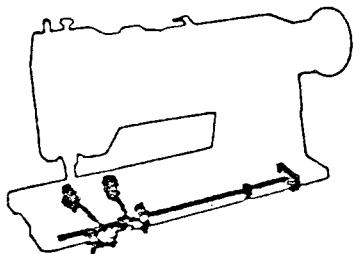
544329 — [part]

544399 — [part]

412026 — [part]

240147 — [part]

264510 — [part]



412021

412023

412025

549075 — [part]
223655 — [part]

543804-005

544411 — [part]

412024

545405 — [part]

412089 — [part]

412022

545154 — [part]

412027

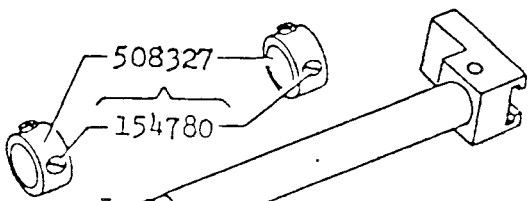
545094 — [part]

412090 — [part]

544351 — [part]

544336 — [part]

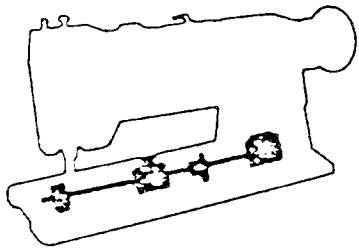
515724



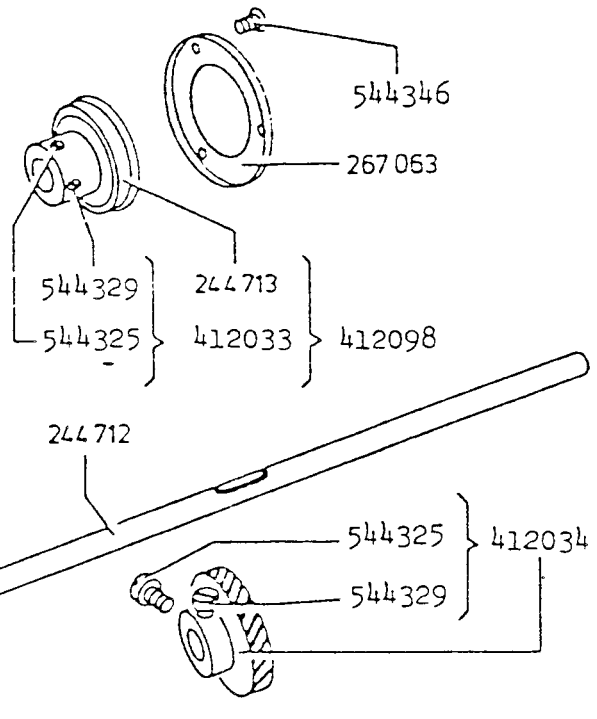
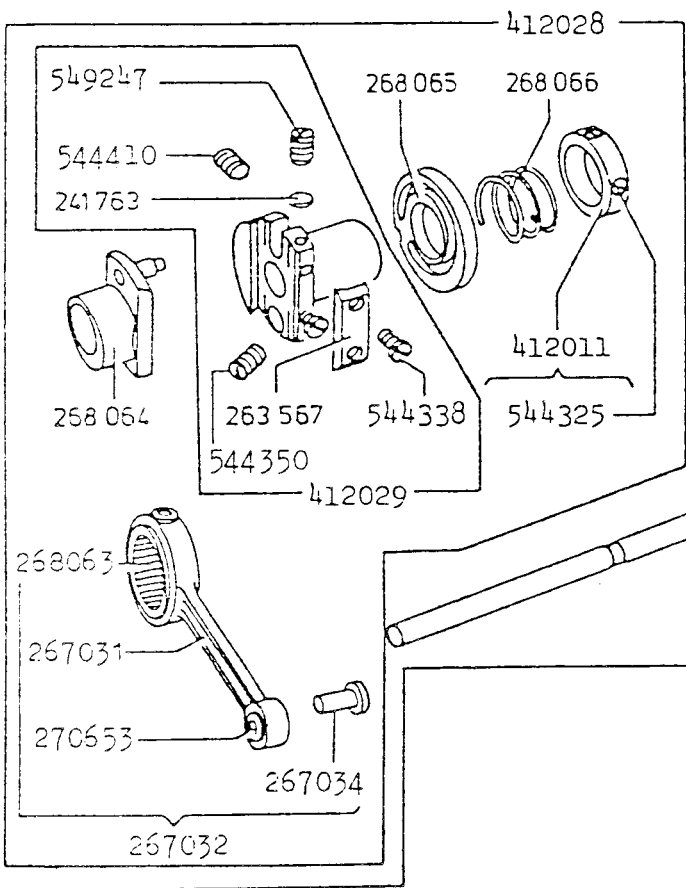
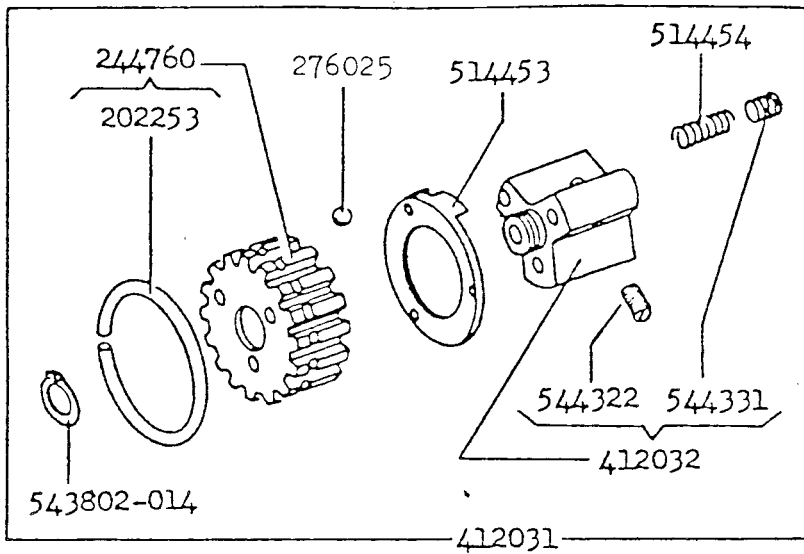
508327 — [part]

154780 — [part]

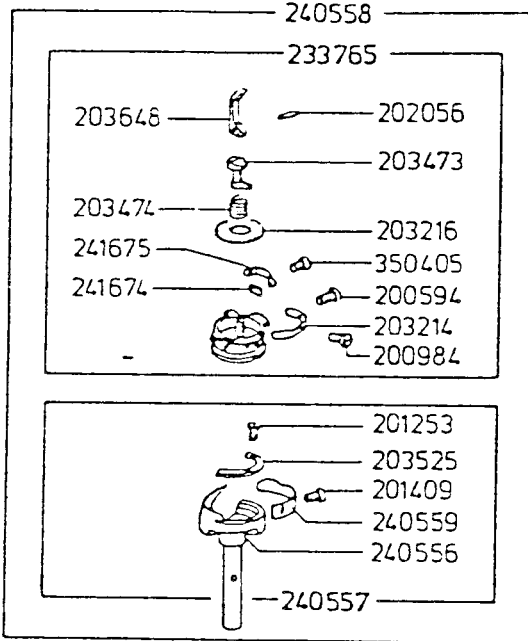
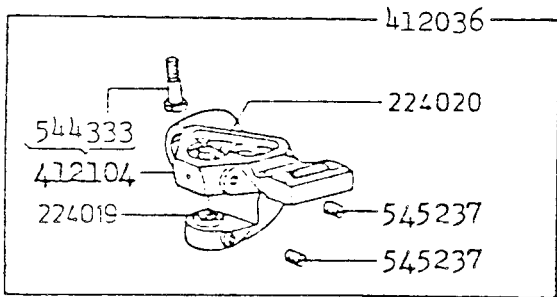
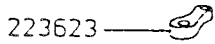
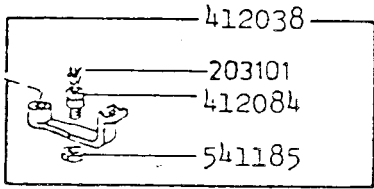
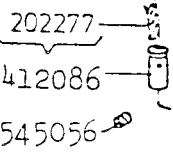
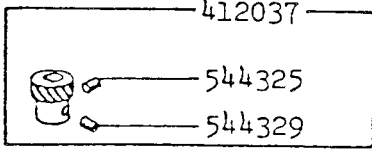
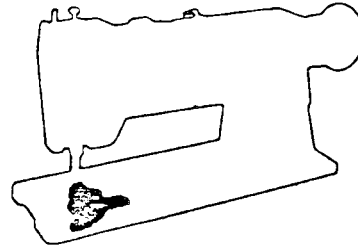
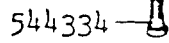
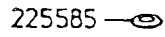
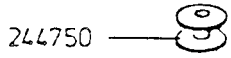
No.	212U141A 442A 212U157A 165A 166A 566A	Description
154780	* * * * *	Feed Driving Rock Shaft Stop Collar Set Screw (4)
223655	* * * * *	Feed Lifting Eccentric Fork Oiling Felt
240147	- - - * * *	Feed Dog
264510	- - - * * *	Feed Dog (Optional)
412021	- - - * * *	Feed Driving Rock Frame Complete 412022, 412023, 412089, 545405
412022	* * * * *	Feed Driving Rock Frame with 545154 (2)
412023	- - - * * *	Feed Bar Complete 412024, 412025, 543804-005, 544411
412024	- - * * * *	Feed Bar
412025	- - - * * *	Feed Lifting Eccentric Fork with 223655, 549075
412026	* * * * *	Feed Lifting Eccentric with 544329
412027	- - - * - -	Feed Driving Rock Shaft Crank Complete 412090, 544336, 544351, 545094
412089	* * * * *	Feed Bar Hinge Screw
412090	- - - * - -	Feed Driving Rock Shaft Crank
508327	* * * * *	Feed Driving Rock Shaft Stop Collar (2) with 154780
515724	- - - * * *	Feed Driving Rock Shaft
543804-005	* * * * *	Feed Lifting Eccentric Fork Screw Washer
544329	* * * * *	Feed Lifting Eccentric Set Screw
544336	- - - * - -	Feed Driving Eccentric Connection Hinge Stud Screw
544351	- - - * - -	Feed Driving Rock Shaft Crank Pinch Screw
544399	* * * * *	Feed Dog Screw (2)
544411	* * * * *	Feed Lifting Eccentric Fork Screw
545094	- - - * - -	Feed Driving Rock Shaft Crank Position Screw
545154	* * * * *	Feed Driving Rock Frame Pinch Screw (2)
545405	* * * * *	Feed Bar Hinge Screw Nut
549075	* * * * *	Feed Lifting Eccentric Fork Oiling Felt Screw



- 267245 — [Screw]
- 270026 — [Spring]
- 240245 — [Washer]

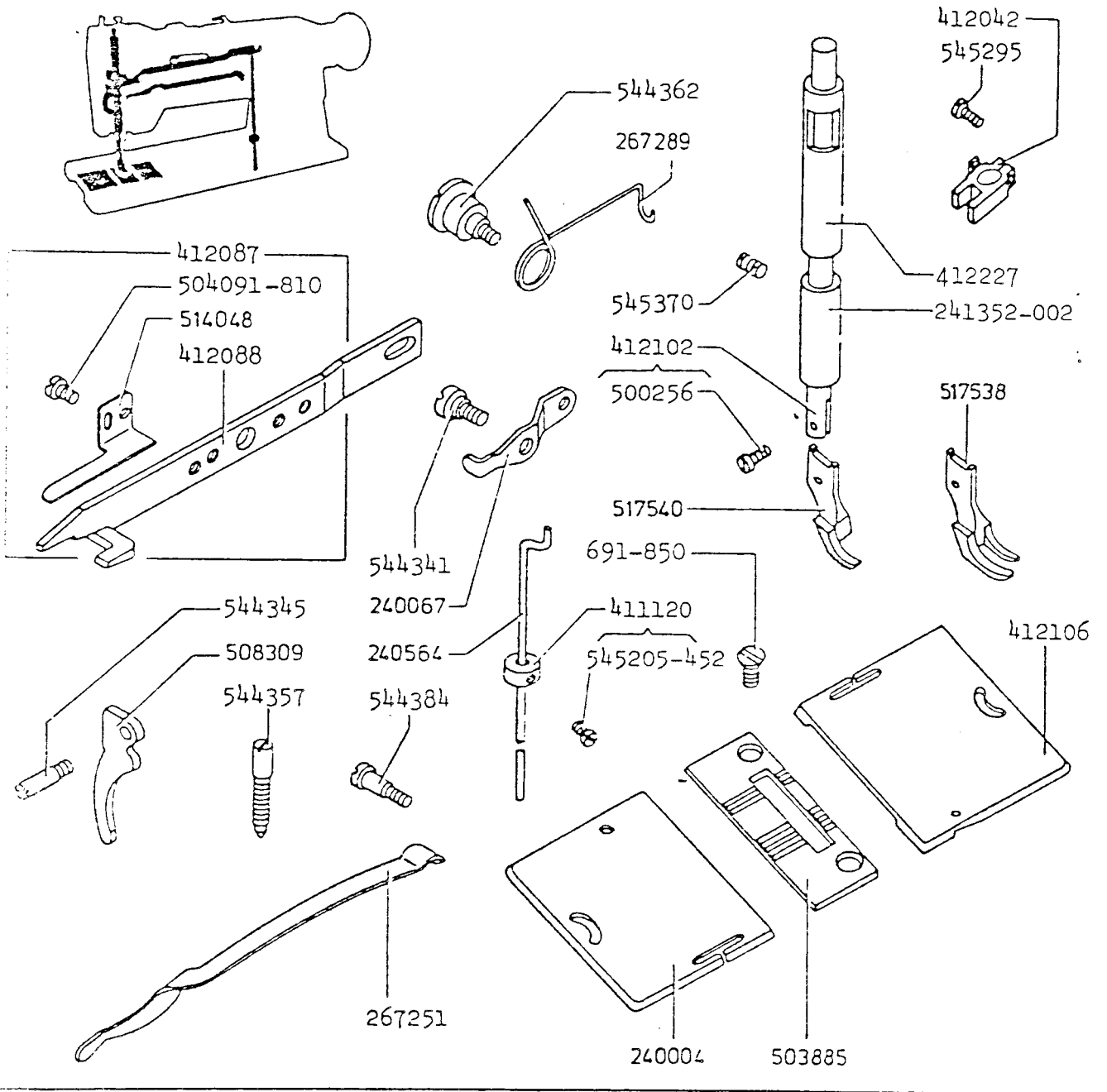


No.	212U141A 442A 212U157A 165A 166A 566A	Description
202253	* * * * *	Safty Clutch Belt Pulley Spring
240245	* * * * *	Feed Regulating Stud Retaining Spring
241763	* * * * *	Feed Driving Eccentric Friction Plate Screw Set Screw Packing (brass) (2)
244712	- - * * *	Hook Driving Shaft
244713	* * * * *	Hook Driving Shaft Ball Bearing
244760	- - * * *	Safty Clutch Belt Pulley with 202253
263567	* * * * *	Feed Driving Eccentric Friction Plate
267031	- - - * - -	Feed Driving Eccentric Connection
267032	- - - * - -	Feed Driving Eccentric Connection Complete 267031, 267034 268063, 270653
267034	- - - * - -	Feed Driving Eccentric Connection Hinge Stud
267063	* * * * *	Hook Driving Shaft Ball Bearing Retaining Washer
267245	* * * * *	Feed Regulating Stud
268063	* * * * *	Feed Driving Eccentric Connection Needle Bearing
268064	* * * * *	Feed Driving Eccentric
268065	* * * * - -	Feed Driving Eccentric Adjusting Disc
268066	* * * * *	Feed Driving Eccentric Adjusting Disc Spring
270026	* * * * *	Feed Regulating Stud Spring
270653	- - - * - -	Feed Driving Eccentric Connection Hinge Stud Needle Bearing
276025	- - * * * *	Safty Clutch Driving Ball (7/32 in Diameter) (3)
412011	* * * * - -	Feed Driving Eccentric Adjusting Disc Spring Collar with 544325 (2)
412028	- - - * - -	Feed Driving Eccentric Complete 268064, 268065, 268066, 412011, 412029
412029	* * * * - -	Feed Driving Flange with 241763 (2), 263567, 544338 (2), 544350, 544410, 549247 (2)
412031	- - * * * *	Safty Clutch Complete 244760, 276025(3), 412032 514453, 514454 (3), 543802-014
412032	- - * * * *	Safty Clutch Over Load Pulley with 544322 (2) 544331 (3)
412033	* * * * *	Hook Driving Shaft Ball Bearing Collar with 544325, 544329
412034	* * * * *	Hook Driving Gear with 544325, 544329
412098	* * * * *	Hook Driving Shaft Ball Bearing Collar Complete 244713, 412033
514453	- - * * * *	Safty Clutch Disc
514454	- - * * * *	Safty Clutch Driving Ball Spring (3)
543802-014	- - * * * *	Safty Clutch Over Load Pulley Retaining Ring
544322	- - * * * *	Safty Clutch Over Load Pulley Set Screw (2)
544325	* * * * *	Feed Driving Eccentric Adjusting Disc Spring Collar Set Screw (2)
544325	* * * * *	Hook Driving Shaft Ball Bearing Collar Set Screw
544325	* * * * *	Hook Driving Gear Set Screw
544329	* * * * *	Hook Driving Shaft Ball Bearing Collar Position Screw
544329	* * * * *	Hook Driving Gear Position Screw
544331	- - * * * *	Safty Clutch Over Load Pulley Adjusting Screw (3)
544338	* * * * *	Feed Driving Eccentric Friction Plate Screw (2)
544346	* * * * *	Hook Driving Shaft Ball Bearing Retaining Washer Screw (3)
544350	* * * * *	Feed Driving Flange Set Screw (1)
544410	* * * * *	Feed Driving Flange Position Screw
549247	* * * * *	Feed Driving Eccentric Friction Plate Screw Set Screw (2)

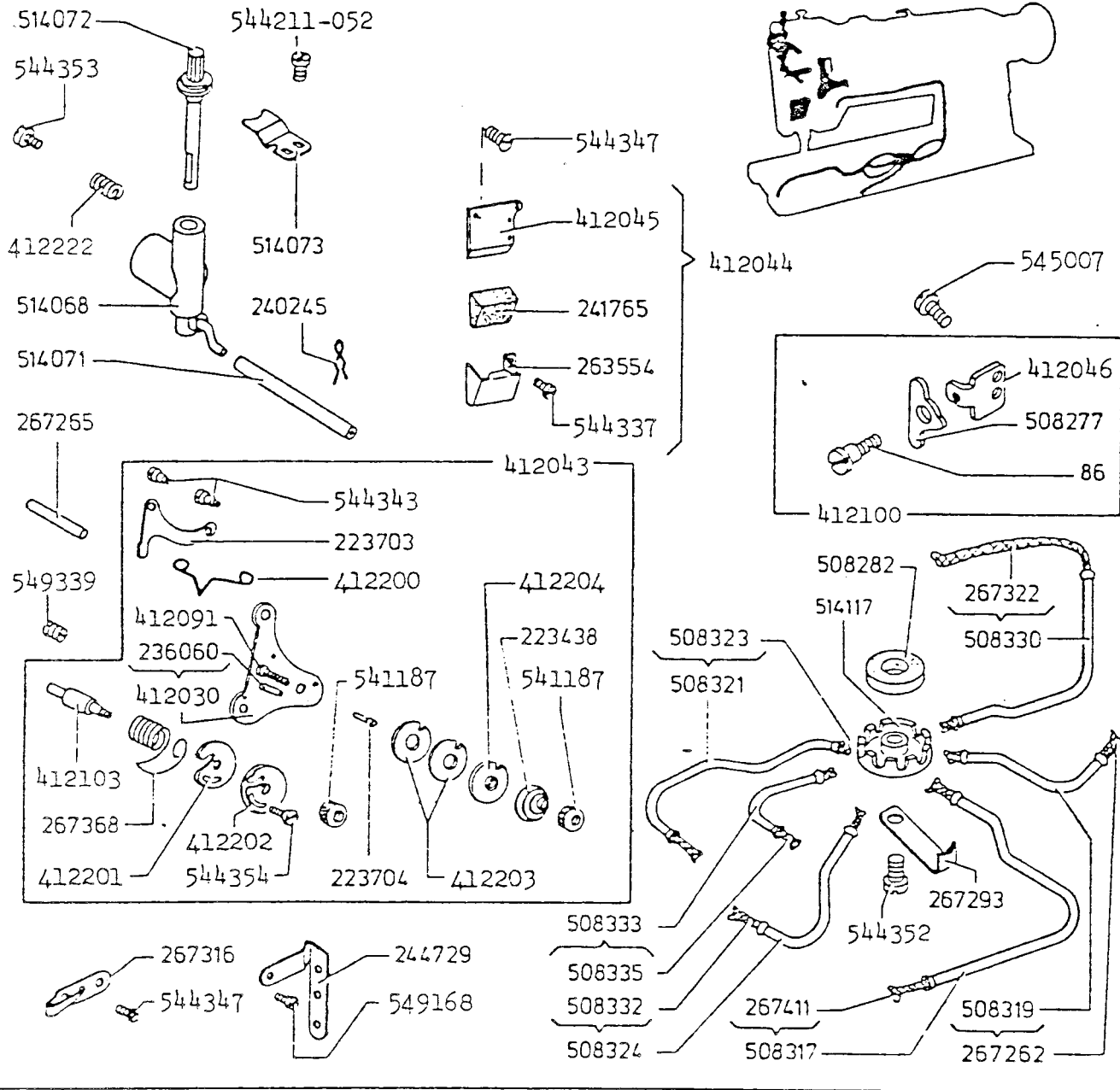


412035

No.	212U141A 442A 212U157A 165A 166A 566A	Description
200594	* * * * *	Bobbin Case Tension Spring Screw
200984	* * * * *	Bobbin Case Tension Spring Regulating Screw
201253	* * * * *	Hook Gib Screw (2)
201409	* * * * *	Hook Needle Guard Screw (2)
202056	* * * * *	Bobbin Case Latch Pin
202277	- - - * *	Bobbin Case Opener Lever Hinge Stud Oil Packing Wick
203101	- - - * *	Bobbin Case Opener Lever Driving Screw Stud Oil Packing Wick
203214	- - * * *	Bobbin Case Tension Spring
203216	* * * * *	Bobbin Case Washer
203473	* * * * *	Bobbin Case Latch Planger
203474	* * * * *	Bobbin Case Latch Spring
203525	- - - * *	Hook Gib
203648	* * * * *	Bobbin Case Latch
223623	- - - * *	Bobbin Case Opener Lever Link
224004	- - - * *	Bobbin Case Opener
224019	- - - * *	Hook Bushing
224020	- - - * *	Hook Bushing (upper)
224022	- - - * *	Hook Driving Pinion Thrust Washer
225585	* * * * *	Hook Saddle Screw Washer
233765	- - - * *	Bobbin Case with 200594, 200984, 202056, 203214, 203216, 203473, 203474, 203648, 241674, 241675, 350405 (2)
240556	- - - * *	Hook Body
240557	- - - * *	Hook Complete 201253 (2), 201409 (2), 203525, 240556, 240559
240558	- - - * *	Hook and Bobbin Case Complete 233765, 240557
240559	- - - * *	Hook Needle Guard
241674	- - * * *	Bobbin Case Oiling Felt
241675	- - * * *	Bobbin Case Oiling Felt Retainer
244750	* * * * *	Bobbin
350405	- - * * *	Bobbin Case Oiling Felt Retainer Screw (2)
412035	- - - * *	Hook Saddle Complete 223623, 224004, 224022, 240558 412036, 412037, 412038, 412086, 545056 549027
412036	- - - * *	Hook Saddle Complete 224019, 224020, 412104, 545237(2)
412037	- - - * *	Hook Driving Pinion with 544325, 544329
412038	- - - * *	Bobbin Case Opener Lever with 203101, 412084, 541185
412084	- - - * *	Bobbin Case Opener Lever Driving Screw Stud
412086	- - - * *	Bobbin Case Opener Lever Hinge Stud
412104	- - - * *	Hook Saddle with 544333
541185	- - - * *	Bobbin Case Opener Lever Driving Screw Stud Nut
544325	- - - * *	Hook Driving Pinion Set Screw
544329	- - - * *	Hook Driving Pinion Position Screw
544333	- - - * *	Hook Saddle Pinch Screw
544334	* * * * *	Hook Saddle Screw
545056	- - - * *	Bobbin Case Opener Lever Hinge Stud Set Screw
545237	- - - * *	Hook Bushing (lower) Set Screw
545237	- - - * *	Hook Bushing (upper) Position Screw
549027	* * * * *	Bobbin Case Opener Screw



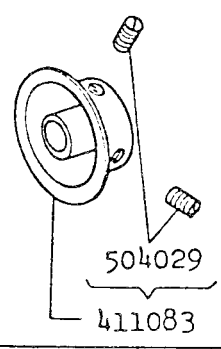
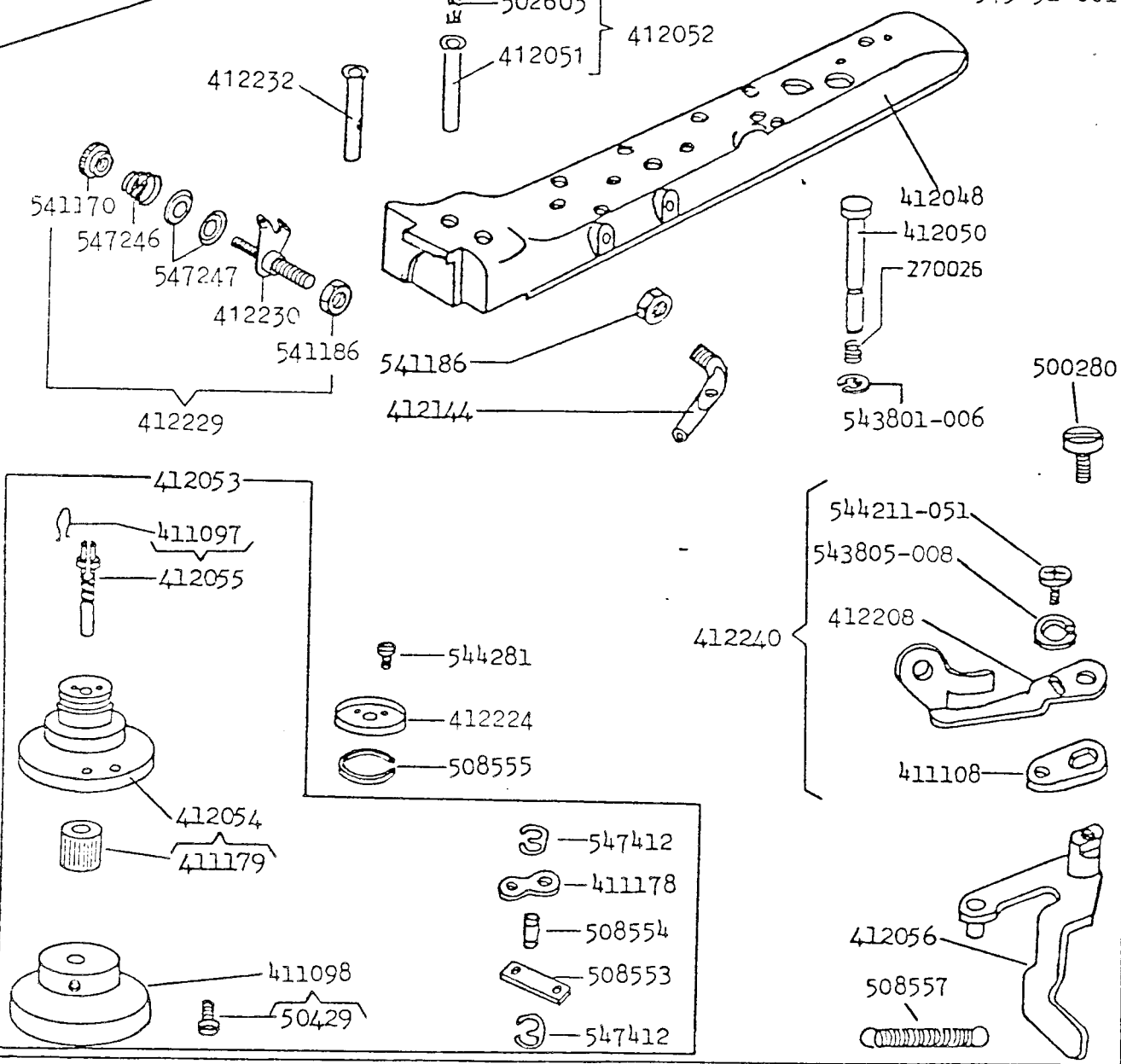
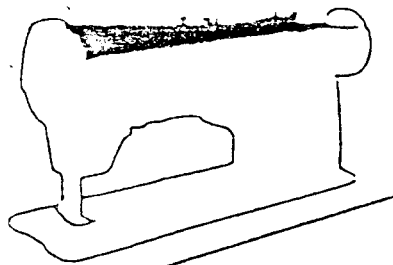
No.	212U141A 442A 212U157A 165A 166A 566A	Description
691-850	* * * * *	Throat Plate Screw (2)
240004	- - * * * *	Bed Slide (front)
240067	* * * * *	Knee Lifter Connection Lever
240564	* * * * *	Knee Lifter Connection Lever Lifting Rod
241352-002	- - - * * *	Presser Bar Bushing (lower)
267251	* * * * *	Presser Bar Spring (flat)
267289	* * * * *	Knee Lifter Lifting Lever Return Spring
411120	* * * * *	Knee Lifter Connection Lever Lifting Rod Stop Collar with 545205-452
412042	- - - * * *	Presser Bar Spring Bracket with 545295
412087	- - - * * *	Knee Lifter Lifting Lever with 412088, 504091-810, 514048
412088	- - - * * *	Knee Lifter Lifting Lever
412102	* * * * *	Presser Bar with 500256
412106	- - * * * *	Bed Slide (back)
412227	- - - * * *	Presser Bar Bushing (upper)
500256	* * * * *	Lifting Presser Foot Screw
503885	- - - * * *	Throat Plate
504091-810	- - - * * *	Tension Release Actuating Spring Screw
508309	- - - * * *	Presser Bar Lifter
514048	- - - * * *	Tension Release Actuating Spring
517538	- - - * * *	Lifting Presser Foot
517540	- - - * - -	Lifting Presser Foot (Optional)
544341	* * * * *	Knee Lifter Connection Lever Hinge Screw
544345	* * * * *	Presser Bar Lifter Hinge Screw
544357	* * * * *	Presser Bar Spring Regulating Screw
544362	* * * * *	Knee Lifter Lifting Lever Pinch Screw
544384	* * * * *	Presser Bar Spring Support Screw
545205-452	* * * * *	Knee Lifter Connection Lever Lifting Rod Stop Collar Set Screw
545295	* * * * *	Presser Bar Spring Bracket Pinch Screw
545370	* * * * *	Presser Bar Bushing (lower) Set Screw



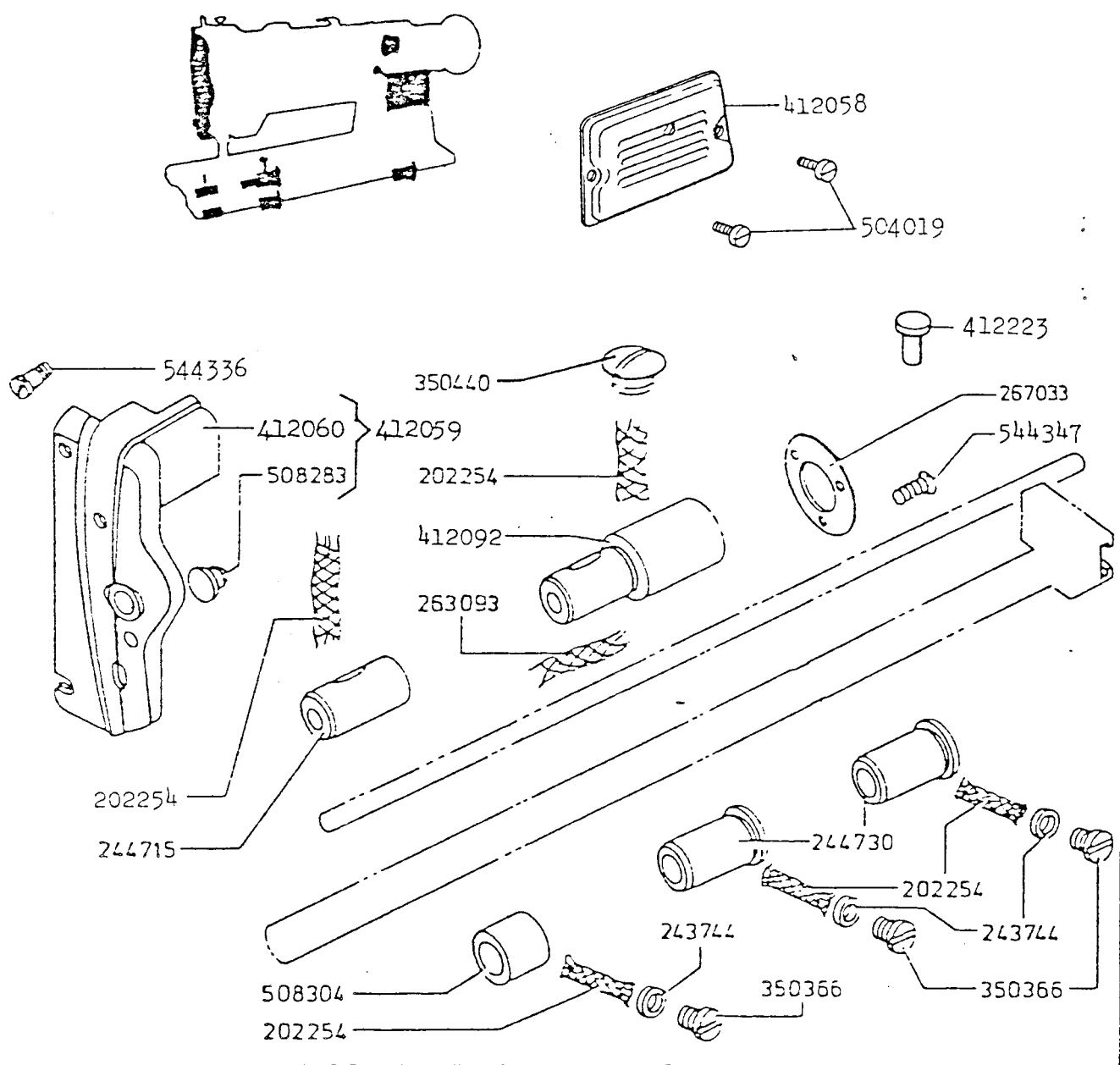
211U165A -8-

No.	212U141A	422A	212U157A	165A	166A	566A	Description
86	-	-	-	*	*	*	Tension Release Bell Crank Hinge Screw
223438	-	-	-	*	*	*	Tension Spring
223703	*	*	*	*	*	*	Tension Release Lever
223704	*	*	*	*	*	*	Tension Release Plunger
236060	*	*	*	*	*	*	Tension Disc Position Pin
240245	-	-	-	*	*	*	Thread Lubricating Reservoir Oil Tube Clamp
241765	-	-	-	*	*	*	Thread Lubricator Oil Pad (felt)
244729	-	-	-	*	*	*	Thread Retainer
263554	-	-	-	*	*	*	Thread Lubricator Oil Pad Holder
267262	-	-	-	*	*	*	Feed Driving Rock Shaft Bushing Oil Tube Wick
267265	*	*	*	*	*	*	Tension Release Lever Rod
267293	*	*	*	*	*	*	Bed Oil Tube Clamp
267316	-	-	-	*	*	*	Thread Guide
267322	*	*	*	*	*	*	Bed Oil Supply Tube Oil Wick

No.	212U141A 442A 212U157A 165A 166A 566A	Description
267368	* * * * *	Thread Controller Spring
267411	* * * * *	Feed Driving Rock Shaft Bushing Oil Tube Wick
412030	- - * * *	Tension Bracket with 236060, 412091
412043	- - * * *	Tension Bracket with 223438, 223703, 223704, 267368, 412030, 412103, 412200, 412201, 412202, 412203, 412204, 541187 (2), 544343 (2), 544354 (2)
412044	- - * * *	Thread Lubricator Oil Pad Holder Complete 241765, 263554, 412045, 544337 (2)
412045	- - * * *	Thread Lubricator Plate
412046	- - - * *	Tension Release Bracket
412091	* * * * *	Tension Stud
412100	- - - * *	Tension Release Bracket with 86, 412046, 508277
412103	* * * * *	Thread Controller Stud
412200	* * * * *	Tension Release Lever Spring
412201	* * * * *	Thread Controller Spring Stop
412202	* * * * *	Thread Controller Disc
412203	* * * * *	Tension Disc (2)
412204	* * * * *	Tension Release Washer
412222	- - - * *	Thread Lubricating Reservoir Clamping Spring
508277	- - - * *	Tension Release Bell Crank
508282	* * * * *	Bed Oil Tube Clamp Oiling Felt
508317	- - * * *	Feed Driving Rock Shaft Bushing Oil Tube with 267411
508319	- - * * *	Feed Driving Rock Shaft Bushing Oil Tube with 267262
508321	- - * * *	Hook Driving Shaft Bearing Left Oil Tube with 508323
508323	- - * * *	Hook Driving Shaft Bearing Left Oil Tube Wick
508324	- - * * *	Hook Saddle Bearing Oil Tube with 508332
508330	- - * * *	Bed Oil Supply Tube With 267322
508332	- - * * *	Hook Saddle Bearing Oil Tube Wick
508333	- - * * *	Feed Driving Eccentric Connection Oil Tube With 508335
508335	- - * * *	Feed Driving Eccentric Connection Oil Tube Wick
514068	- - - * *	Thread Lubricating Reservoir
514071	- - - * *	Thread Lubricating Reservoir Oil Tube
514072	- - - * *	Thread Lubricating Reservoir Stud
514073	- - - * *	Thread Lubricating Regulator Spring
514117	* * * * *	Bed Oil Tube Clamp
541187	* * * * *	Tension Thumb Nut (2)
544211-052	- - - * *	Thread Lubricating Regulator Spring Set Screw (2)
544337	- - * * *	Thread Lubricator Oil Pad Holder Screw (2)
544343	* * * * *	Tension Release Lever Hinge Stud (2)
544347	- - * * *	Thread Lubricator Plate Screw (2)
544347	* * * * *	Thread Guide Screw
544352	* * * * *	Bed Oil Tube Clamp Screw
544353	- - - * *	Thread Lubricating Reservoir Clamping Spring Screw
544354	- - * * *	Thread Controller Disc Screw
545007	- - - * *	Tension Release Bracket Screw (2)
549168	* * * * *	Thread Retainer Screw
549339	* * * * *	Tension Controller Stud Set Screw

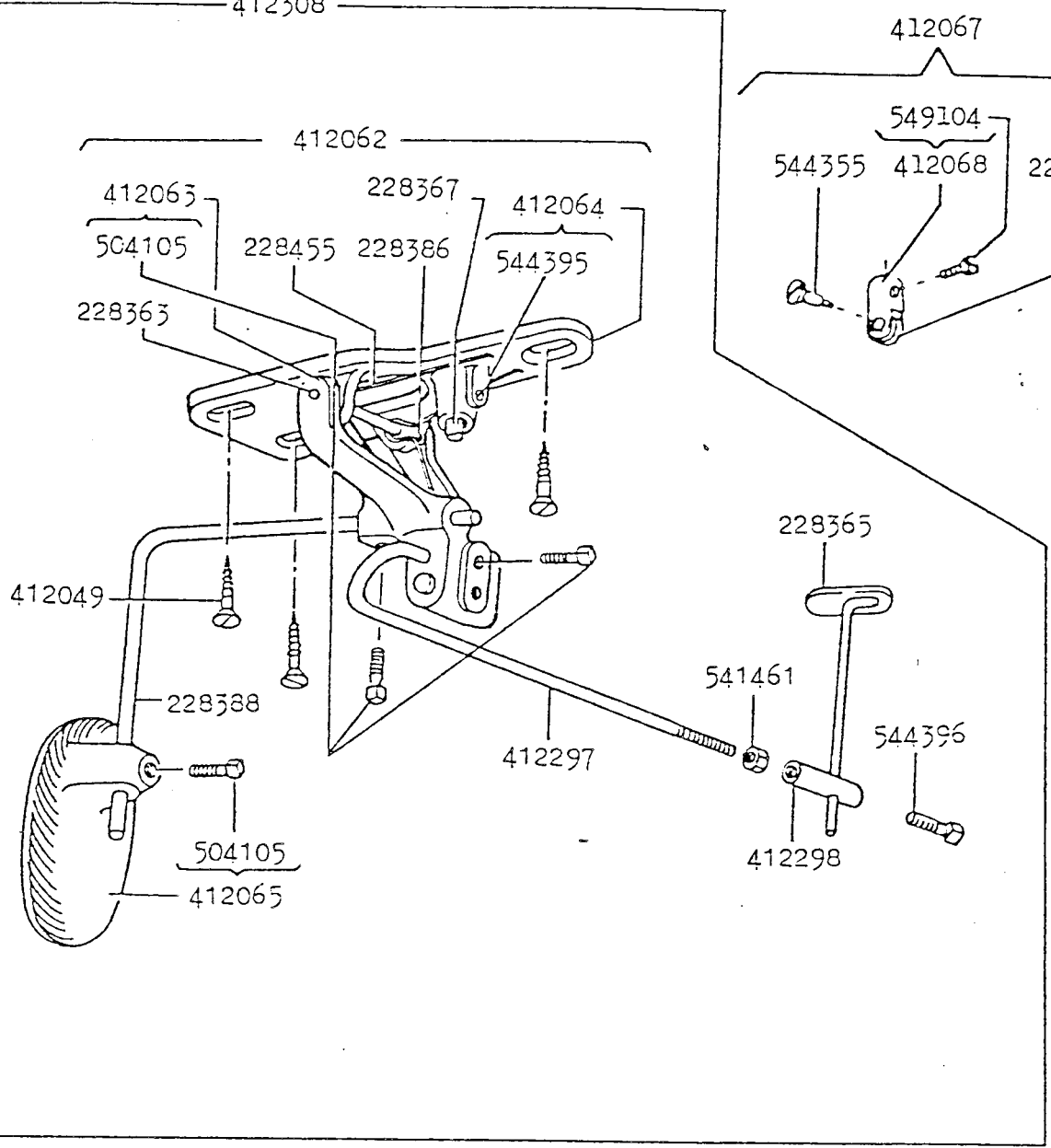


No.	212U141A 442A 212U157A 165A 166A 566A	Description
50429	* * * * *	Bobbin Winder Shaft Friction Wheel Set Screw (2)
270026	- - - * * *	Presser Bar Lifting Regulating Stud Spring
411083	* * * * *	Bobbin Winder Driving Wheel with 504029
411097	* * * * *	Bobbin Snap Spring
411098	* * * * *	Bobbin Winder Shaft Friction Wheel with 504029
411108	* * * * *	Bobbin Winder Shaft Bushing (Ecc.) Trip Lever (Short)
411178	* * * * *	Bobbin Winder Bushing (Ecc.) Connection Lever
411179	* * * * *	Bobbin Winder Shaft Bushing (Ecc.) Bearing
412047	- - - * * *	Arm Cover (Top) Complete 270026, 412048, 412050, 412052, 412053, 412056, 412144, 412224, 412229, 412232, 412240, 500280, 502832, 508555, 508557, 541186, 543801-006, 543831-001, 543832-001, 544281
412048	- - - * * *	Arm Cover (Top)
412050	- - - * * *	Presser Bar Lifting Regulating Stud
412051	- - - * * *	Arm Cover (Top) Oil Pipe
412052	- - - * * *	Arm Cover (Top) Oil Pipe Complete 412051, 502603
412053	* * * * *	Bobbin Winder Shaft Bushing (Ecc.) Complete 411098, 411178, 412054, 412055, 508553, 508554, 547412
412054	* * * * *	Bobbin Winder Shaft Bushing (Ecc.) with 411179
412055	* * * * *	Bobbin Winder Shaft with 411097
412056	* * * * *	Bobbin Winder Bushing (Ecc.) Rocking Lever with
412144	* * * * *	Thread Guide-(Arm Top Cover)
412208	* * * * *	Bobbin Winder Shaft Bushing (Ecc.) Trip Lever (Long)
412224	* * * * *	Bobbin Winder Bushing (Ecc.) Thread Guard
412229	* * * * *	Bobbin Winder Tension Complete 412230, 541170, 541186, 547246, 547247
412230	* * * * *	Bobbin Winder Tension Stud with 547245-900
412232	- - - * * *	Arm Cover (Top) Oil Pipe
412240	* * * * *	Bobbin Winder Shaft Bushing (Ecc.) Trip Lever Complete 411108, 412208, 543805-008, 544211-051
500280	* * * * *	Bobbin Winder Shaft Bushing (Ecc.) Trip Lever Cap Screw
502603	- - - * * *	Arm Cover (Top) Oil Pipe Wick
502832	* * * * *	Arm Cover (Top) Plug
504029	* * * * *	Bobbin Winder Driving Wheel Set Screw (2)
508553	* * * * *	Bobbin Winder Bushing (Ecc.) Spring Shackle
508554	* * * * *	Bobbin Winder Bushing (Ecc.) Link Stud
508555	* * * * *	Bobbin Winder Bushing (Ecc.) Snap Ring
508557	* * * * *	Bobbin Winder Bushing (Ecc.) Spring
541170	* * * * *	Bobbin Winder Tension Nut
541186	* * * * *	Thread Guide (Arm Top Cover) Lock Nut
541186	* * * * *	Bobbin Winder Tension Lock Nut
543801-006	- - - * * *	Presser Bar Lifting Regulating Stud Retaining Washer
543805-008	* * * * *	Bobbin Winder Shaft Bushing (Ecc.) Trip Lever Screw Washer
543831-001	* * * * *	Bobbin Winder Bushing (Ecc.) Rocking Lever Stop Pin
543832-001	* * * * *	Bobbin Winder Shaft Bushing (Ecc.) Coil Spring Stud
544211-051	* * * * *	Bobbin Winder Shaft Bushing (Ecc.) Trip Lever Screw
544281	* * * * *	Bobbin Winder Shaft Bushing (Ecc.) Thread Guard Screw (2)
544336	* * * * *	Arm Cover (Top) Screw (6)
547246	* * * * *	Bobbin Winder Tension Spring
547247	* * * * *	Bobbin Winder Tension Disc (2)
547412	* * * * *	Bobbin Winder Shaft Bushing (Ecc.) Link Lock Washer (2)

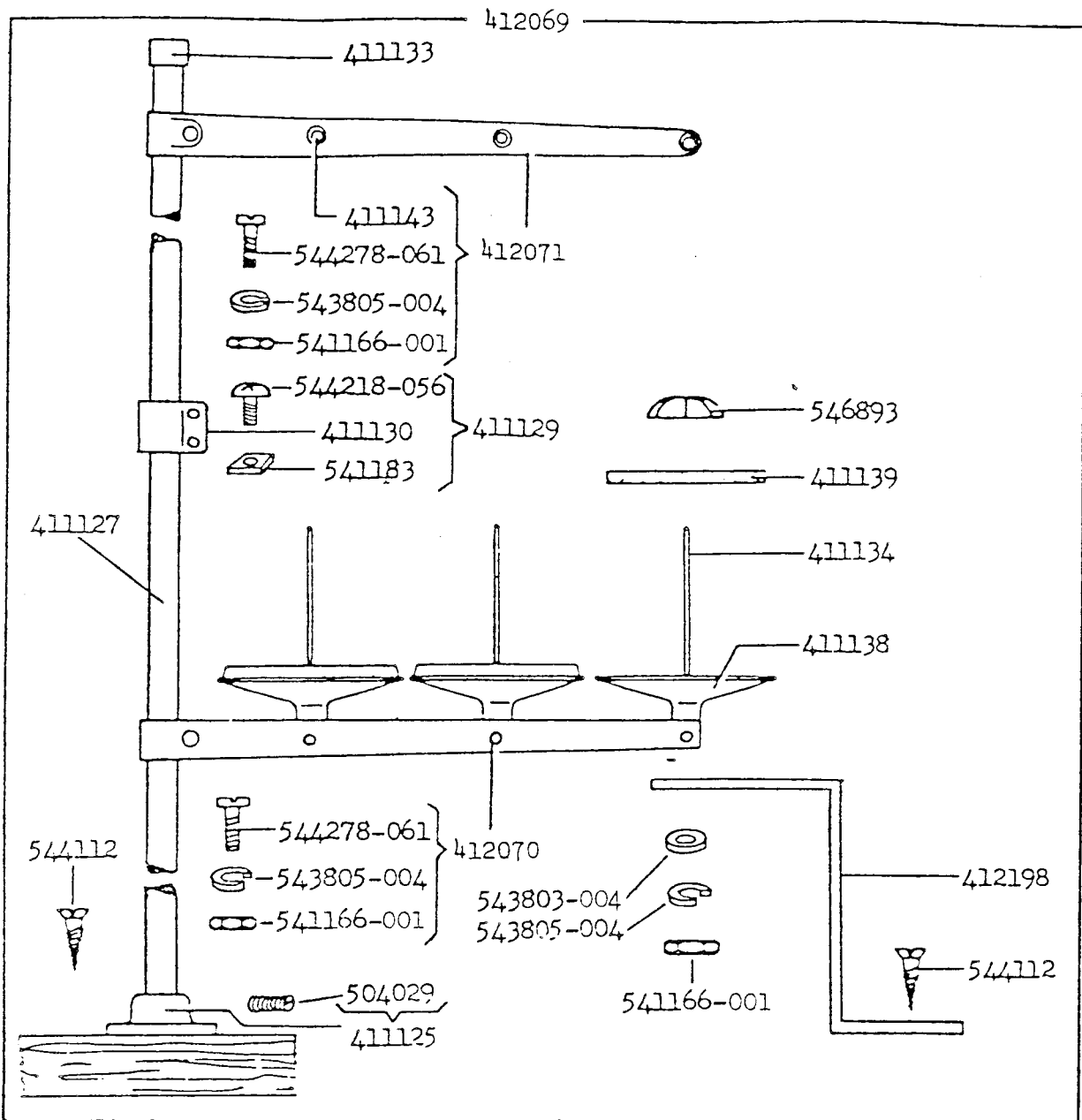


No.	212U141A 442A 212U157A 165A 166A 566A	Description
202254	* * * * *	Bed Oil Wick (5)
243744	* * * * *	Bed Oil Stop Screw Gasket (3)
244715	- - * * *	Hook Driving Shaft Bushing (Left)
244730	* * * * *	Feed Driving Rock Shaft Bushing (Center and Back) (2)
263093	* * * * *	Bed Oil Wick
267033	* * * * *	Feed Driving Eccentric Connection Friction Washer
350366	* * * * *	Bed Oil Stop Screw (3)
350440	* * * * *	Bed Oil Screw
412058	* - * * *	Arm Cover (Side)
412059	- - - * *	Face Plate Complete 412060, 508283
412060	- - - * *	Face Plate Body
412092	- - * * *	Hook Driving Shaft Bushing (Center)
412223	- - - * -	Bed Oil Hole Cap
504019	* * * * *	Arm Cover (Side) Screw (2)
508283	* - - * *	Face Plate Plug
508304	* * * * *	Feed Driving Rock Shaft Bushing (Front)
544336	- - - * *	Face Plate Screw (2)
544347	* * * * *	Feed Driving Eccentric Connection Friction Washer Screw (3)

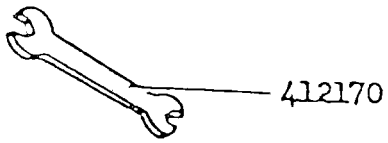
412308



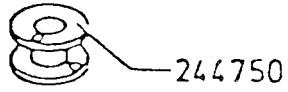
No.	212U141A 442A 211U157A 165A 166A 566A	Description
224411	* * * * *	Knee Lifter Connection Lever Lifting Rod Roller
228363	* * * * *	Knee Lifter Rock Lever Hinge Pin
228365	* * * * *	Knee Lifter Rock Lever Rod
228367	* * * * *	Knee Lifter Rock Lever Stop Stud
228386	* * * * *	Knee Lifter Rock Lever Spring
228388	* * * * *	Knee Lifter Rock Lever Knee Plate Arm
228455	* * * * *	Knee Lifter Rock Lever Position Spring
412049	* * * * *	Wood Screw (3)
412062	* * * * *	Knee Lifter Rock Lever Bracket complete 228363, 228367, 228386, 228455, 412063, 412064
412063	* * * * *	Knee Lifter Rock Lever with 504105 (2)
412064	* * * * *	Knee Lifter Rock Lever Bracket with 544395
412065	* * * * *	Knee Lifter Rock Lever Knee Plate with 504105
412067	* * * * *	Knee Lifter Connection Lever Lifting Rod Roller complete 224411, 412068, 544355
412068	* * * * *	Knee Lifter Connection Lever Lifting Rod Roller Bracket with 549104
412296	* * * * *	Knee Lifter Rock Lever Extension complete 412297, 412298, 544396
412297	* * * * *	Knee Lifter Rock Lever Extension
412298	* * * * *	Knee Lifter Rock Lever Holder
412308	* * * * *	Knee Lifter Rock Lever complete 228365, 228388, 412049 (3), 412062, 412065, 412296
504105	* * * * *	Knee Lifter Rock Lever Extension Set Screw
504105	* * * * *	Knee Lifter Rock Lever Knee Plate Arm Set Screw
504105	* * * * *	Knee Lifter Rock Lever Knee Plate Set Screw
541461	* * * * *	Knee Lifter Rock Lever Holder Lock Nut
544355	* * * * *	Knee Lifter Connection Lever Lifting Rod Roller Hinge Screw
544395	* * * * *	Knee Lifter Rock Lever Stop Stud Set Screw
544396	* * * * *	Knee Lifter Rock Lever Rod Set Screw
549104	* * * * *	Knee Lifter Connection Lever Lifting Rod Roller Pinch Screw



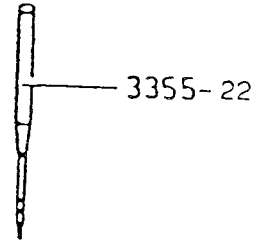
No.	212U141A 442A 212U157A 165A 166A 566A	Description
411125	* * * * *	Thread Unwinder Foot With 504029
411127	* * * * *	Thread Unwinder Rod (2)
411129	* * * * *	Thread Unwinder Rod Connection Complete 411130, 541183, 544218-056
411130	* * * * *	Thread Unwinder Rod Connection (2)
411133	* * * * *	Thread Unwinder Rod Cap
411134	* * * * *	Thread Unwinder Spool (3)
411138	* * * * *	Thread Unwinder Spool Carrier Plate (3)
411139	* * * * *	Thread Unwinder Spool Cushion (3)
411143	* * * * *	Thread Unwinder Thread Guide Bushing (3)
412069	* * * * *	Thread Unwinder Complete 411125, 411127, 411129, 411133, 411134, 411138, 411139, 412070, 412071, 412198, 541166-001, 543803-004, 543805-004, 544112, 546893
412070	* * * * *	Thread Unwinder Spool Carrier Arm With 541166-001, 543805-004, 544278-061
412071	* * * * *	Thread Unwinder Thread Guide With 411143, 541166-001, 543805-004, 544278-061
412198	* * * * *	Thread Unwinder Spool Carrier Arm Holder Plate
504029	* * * * *	Thread Unwinder Rod Set Screw (2)
541166-001	* * * * *	Thread Unwinder Spool Nut (3)
541166-001	* * * * *	Thread Unwinder Spool Carrier Arm Screw Nut
541166-001	* * * * *	Thread Unwinder Thread Guide Nut
541183	* * * * *	Thread Unwinder Rod Connection Screw Nut (2)
543803-004	* * * * *	Thread Unwinder Spool Washer (3)
543805-004	* * * * *	Thread Unwinder Spool Spring Washer (3)
543805-004	* * * * *	Thread Unwinder Spool Carrier Arm Screw Spring Washer
543805-004	* * * * *	Thread Unwinder Thread Guide Spring Washer (3)
544112	* * * * *	Thread Unwinder Wood Screw (3)
544112	* * * * *	Thread Unwinder Spool Carrier Arm Holder Plate Wood Screw
544218-056	* * * * *	Thread Unwinder Rod Connection Screw (2)
544278-061	* * * * *	Thread Unwinder Spool Carrier Arm Screw
544278-061	* * * * *	Thread Unwinder Thread Guide Screw
546893	* * * * *	Thread Unwinder Spool Holder (3)



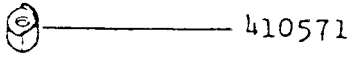
412170



244750



3355-22



410571



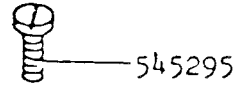
540522



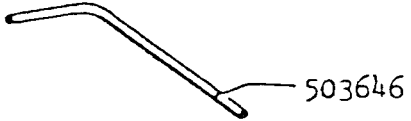
410570



540523



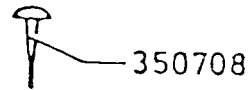
545295



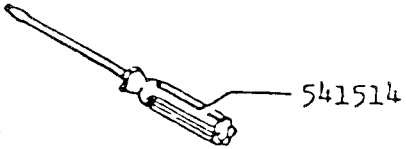
503646



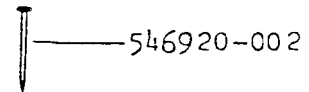
544361



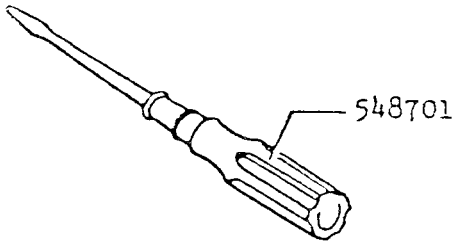
350708



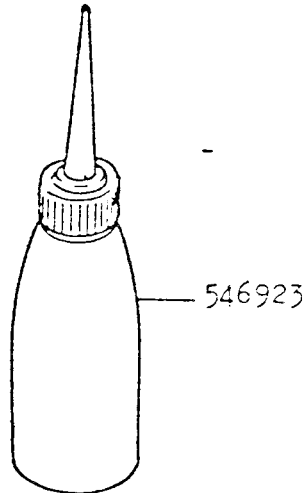
541514



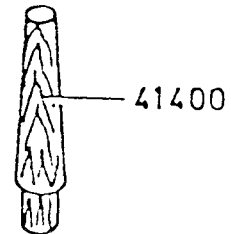
546920-002



548701



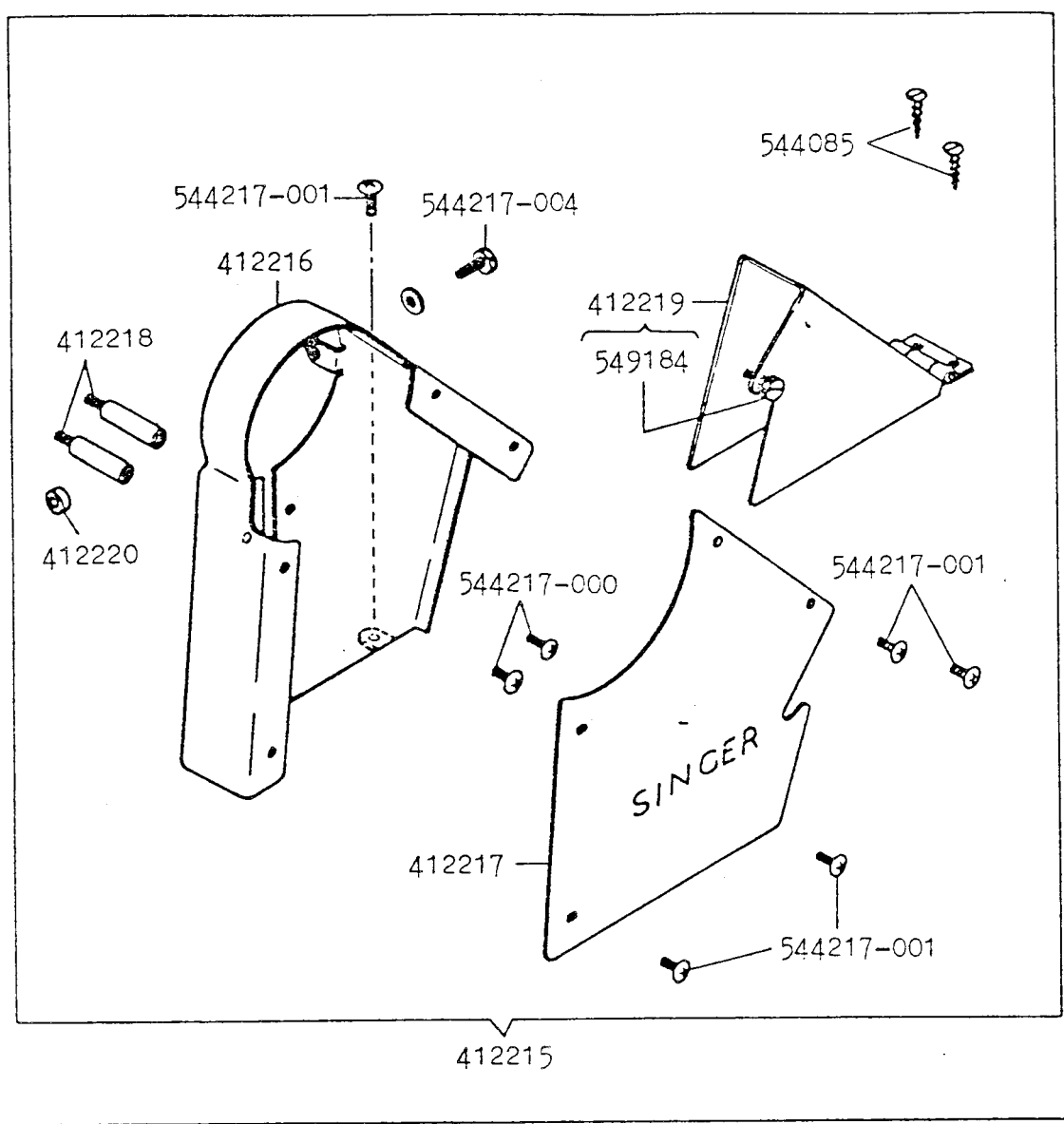
546923



41400

No.	212U141A 442A 212U157A 165A 166A 566A	Description
3355-22	- - - * * *	Needle (5)
41400	* * * * *	Machine Rest Pin (wood)
244750	* * * * *	Bobbin (2)
350708	* * * * *	Drip Pan Screw Nail (7)
410570	* * * * *	Machine Rest (front) (2)
410571	* * * * *	Machine Rest (back) (2)
412170	* * * * *	Wrench
503646	* * * * *	Wrench (3/32 inch, Hexagon)
540522	- - * * * *	Machine Hinge Connection (2)
540523	* * * * *	Machine Hinge Connection Cushion (2)
541514	* * * * *	Screw Driver
544361	- - * * * *	Bed Slide Thumb Screw
545295	* * * * *	Attachment Screw
546920-002	* * * * *	Nail (4)
546923	- - - * * *	Oiler (130cc, A Type)
548701	* * * * *	Screw Driver

OPTIONAL PARTS



No.	212U141A 422A 212U157A 165A 166A 566A	Description
<u>OPTION</u>		
412215	* * * * *	Belt Guard Cpl. 412216, 412217, 412218 (2), 412219, 412220, 544085 (2), 544217-001 (7), 544217-004
412216	* * * * *	Belt Guard
412217	* * * * *	Belt Guard Plate
412218	* * * * *	Belt Guard Screw Stud (2)
412219	* * * * *	Belt Guard (lower) with 549184
412220	* * * * *	Belt Guard Screw Collar
544085	* * * * *	Belt Guard (lower) Wood Screw (2)
544217-001	* * * * *	Belt Guard Screw (3)
544217-001	* * * * *	Belt Guard Plate Screw (4)
544217-004	* * * * *	Belt Guard Screw (long)
549184	* * * * *	Belt Guard (lower) Thumb Screw

Form U 3375
Part No. 409774-002
Printed in Japan