



SATELEC Curing Light System Installation Instructions (153766-001) ProCenter Delivery Unit (153766-005) Assistant's Delivery Unit

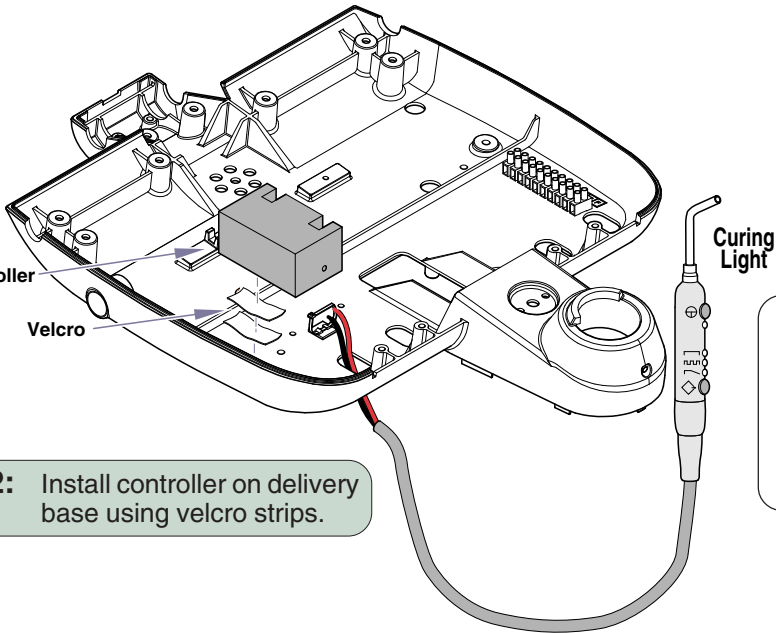
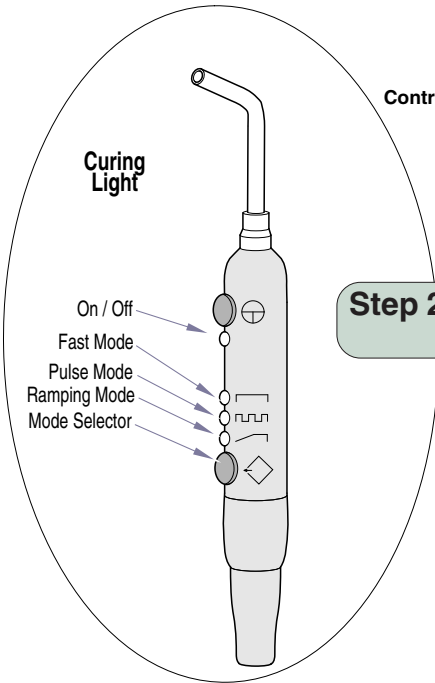
- Components:**
- Curing Light
 - Components 1
 - Wire, Black AR
 - Velcro, Loop 1
 - Velcro, Hook 1
- Special Tools:**
none

Intended Use:
To provide a means for a dentist to enhance the curing of various composite materials used in dental repair / reconstruction.

Requirements / Restrictions:
Read the Manufacturer's User's Manual before installing.

CURING LIGHT COMPONENTS INSTALLATION

WARNING Before connecting the Curing Light, read the Safety Instructions and User's Manual provided by the manufacturer. Failure to comply to the instructions could result in serious injury.



Step 2: Install controller on delivery base using velcro strips.

Step 1: Insert Curing Light handpiece harness up thru hole in bottom of delivery unit housing.

Note Connect electrical leads to Controller before installing on ProCenter delivery base . See appropriate electrical connections in this manual.

DA179600i

CURING LIGHT ELECTRICAL CONNECTIONS PROCENTER

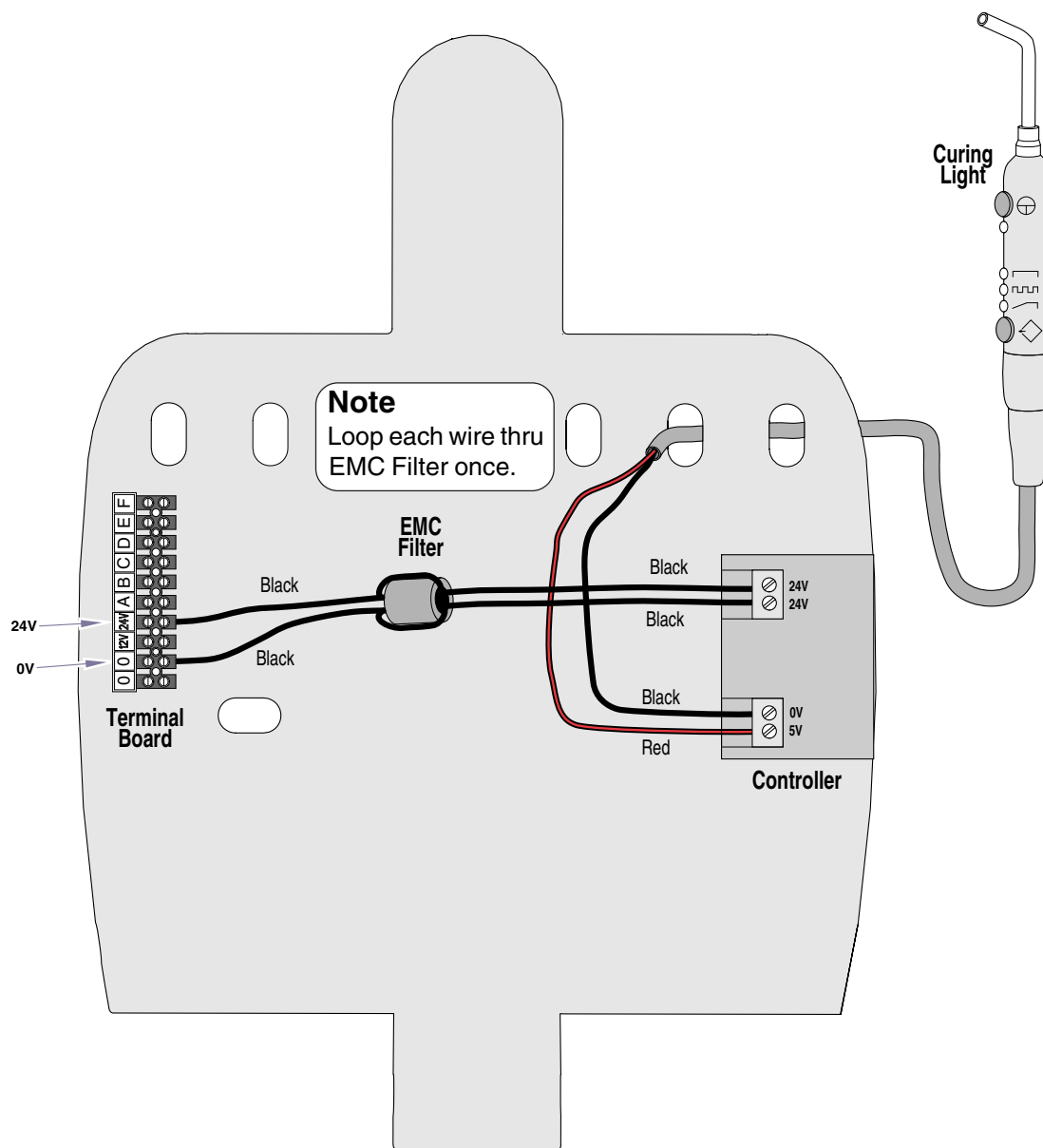


WARNING

Before connecting the Curing Light, read the Safety Instructions and User's Manual provided by the manufacturer. Failure to comply to the instructions could result in serious injury.

Connections

- **Red** wire from Curing Light to **5 V** on Controller.
- **Black** wire from Curing Light to **0 V** on Controller.
- **Black** wire from **24 V** Controller to **24 V** on Terminal Board.
- **Black** wire from **24 V** Controller to **0 V** on Terminal Board.



DA179502i

CURING LIGHT ELECTRICAL CONNECTIONS ASSISTANT'S INSTRUMENT HEAD ASSY.

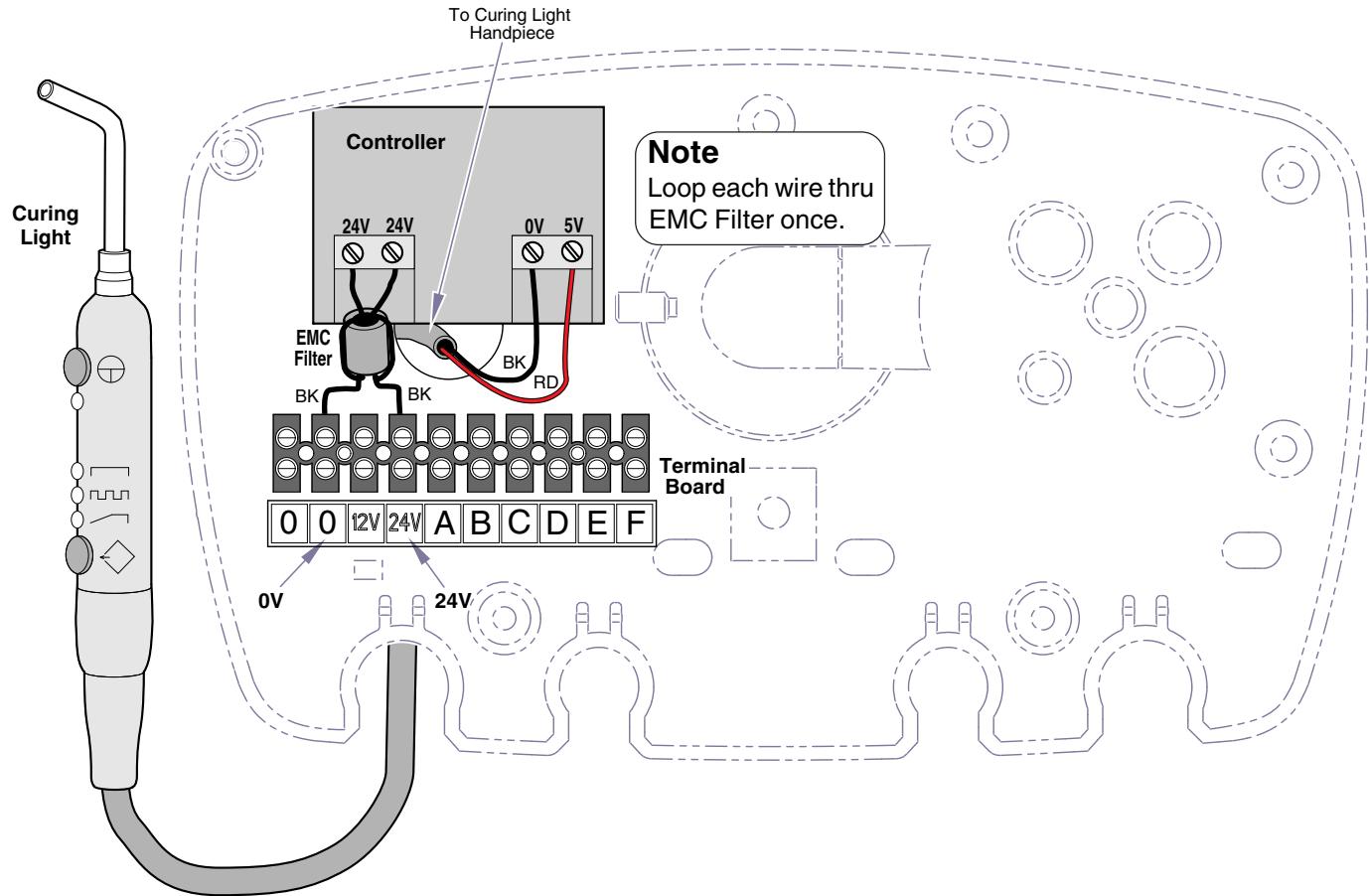


WARNING

Before connecting the Curing Light, read the Safety Instructions and User's Manual provided by the manufacturer. Failure to comply to the instructions could result in serious injury.

Connections

- **Red** wire from Curing Light to **5 V** on Controller.
- **Black** wire from Curing Light to **0 V** on Controller.
- **Black** wire from **24 V** Controller to **0 V** on Terminal Board.
- **Black** wire from **24 V** Controller to **24 V** on Terminal Board.



DA179902i

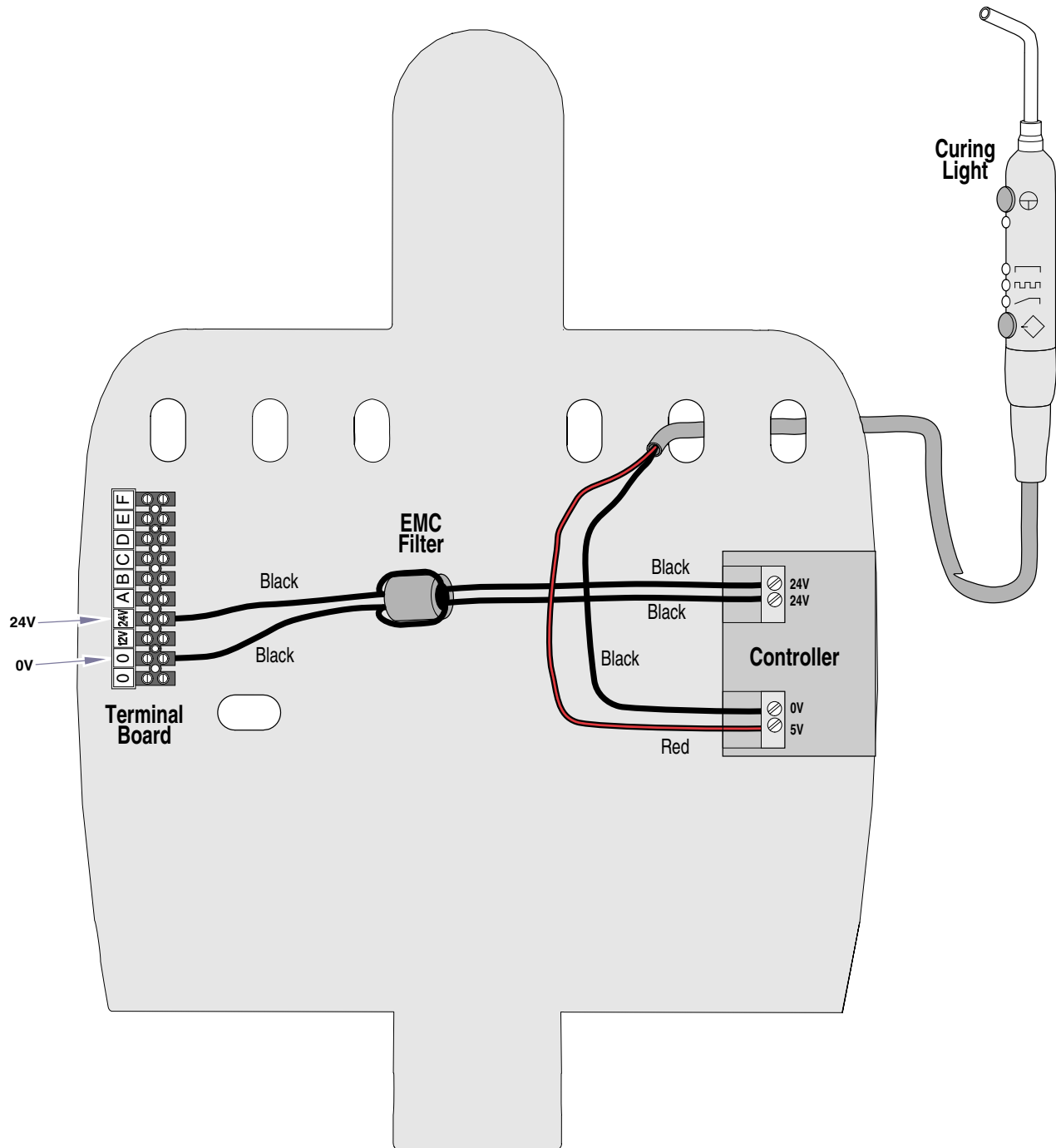
Midmark Corporation
60 Vista Drive
Versailles, OH 45380-0286
Phone: 937-526-3662
Fax: 937-526-5542
midmark.com



Because we care.

Satelec Curing Light [for ProCenter Units] (153766 - Factory) (153766-001 - Field)

ACCESSORY PARTS LIST



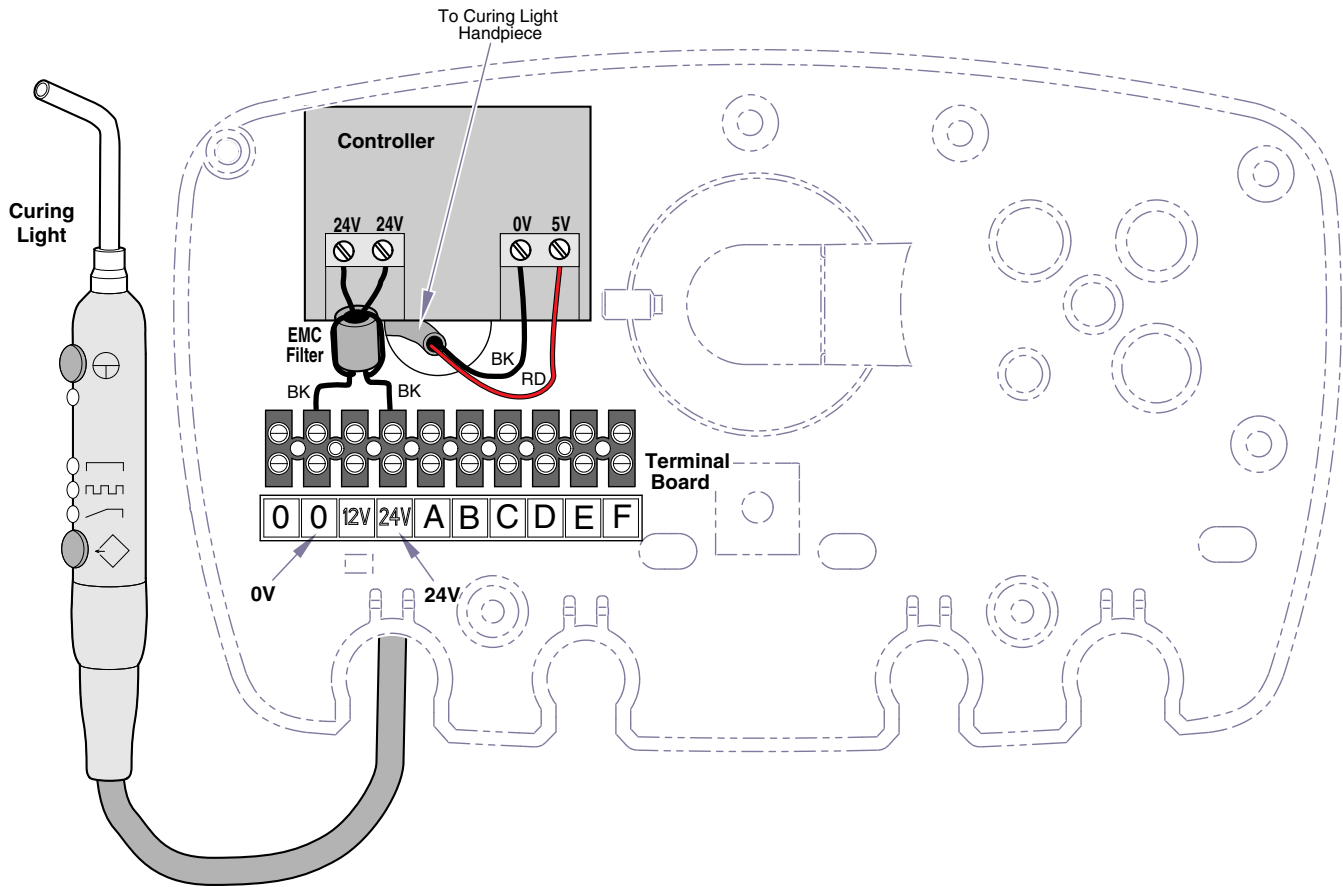
DA179502i

Item	Part No.	Description	Qty	Item	Part No.	Description	Qty
	153766	Satelec Curing Light, ProCenter Unit) - Factory Installed (includes items 1 thru 4)..... Ref		1	• 002-1003-00	• Satelec Curing Light Kit	1
	153766-001	Satelec Curing Light, ProCenter Unit) - Field Installed (includes items 1 thru 5)..... Ref		2	• 053-0105-33	• Velcro Tape (loop)	2
				3	• 053-0131-31	• Velcro Tape (hook)	2
				4	• 177234	• Wire.....	AR
				5	• 003-1673-00	• Install. Instructions (not shown).....	1

Always Specify Model & Serial Number

Satelec Curing Light [for Assistant's Inst. Hd] **ACCESSORY PARTS LIST**

(153766-004 - Factory)
 (153766-005 - Field)



DA179902i

Item	Part No.	Description	Qty	Item	Part No.	Description	Qty
	153766-004	Satelec Curing Light, Assistant's Inst. Head - Factory Installed (includes items 1 thru 2) Ref		1	• 002-1003-00	• Satelec Curing Light Kit	1
	153766-005	Satelec Curing Light, Assistant's Inst. Head - Field Installed (includes items 1 thru 3) Ref		2	• 177234	• Wire	AR
				3	• 003-1673-00	• Install. Instructions (not shown)	1

Always Specify Model & Serial Number