

Utility sink and storage center

ITM. / ART. 480275
Model#: 30TH11WHI

Installation Guide and User Manual



ATTENTION:

1. Your installation must comply with all local plumbing building codes. Have a qualified tradesman do or approve your plumbing installation.
2. Always wear safety goggles and gloves in order to avoid personal injury.
3. Please read and save this guide before using this product. Store the guide in a safe place so you will know where it is when you want to refer to it.

nexstyle

IMPORTANT

Carefully check the unit prior to installation to ensure there is no damage. Do not dispose of any packaging until you are satisfied with this product.

If you have any problems with this product or there are missing or damaged parts, please call toll free:

1-800-459-4409

DO NOT RETURN THE UNIT TO THE PLACE OF PURCHASE BEFORE CALLING THE TOLL FREE NUMBER ABOVE.

BEFORE YOU START

1. Inspect your unit before proceeding. Once you unpack your unit, check for chips, scratches, cracks, dents or scuff marks. If any damage is noticed, do not install.
2. Please read instructions carefully and keep for future reference.
3. Protect the entire surface during installation.
4. All holes drilled into the unit must be done from the finished surface side with extreme care and caulked very carefully to form a watertight barrier.
5. Your installation must comply with all local plumbing codes. Have a qualified tradesman do and/or approve your plumbing installation.
6. Materials required (not included): sealant, supply lines (see page 7).

WARNING: Always wear safety goggles and gloves in order to avoid any personal injuries.

CONTENTS:

- Preassembled cabinet x 1 pc
- Utility sink x 1pc
- Faucet assembly x 1 pc
- Strainer x 1 pc
- Drawer handle x 2 pcs
- Screw x 4 pcs
- Washer x 4 pcs
- Allen wrench x 1 pc

TOOLS REQUIRED

- Adjustable wrench
- Pliers
- Pipe wrench
- Phillips screwdriver
- Sealant
- Utility knife

INSTALLATION INSTRUCTIONS

1. The main cabinet is preassembled. The sink is shipped inside the cabinet. The user or a licensed plumber must install the sink, faucet, strainer and drain assembly.
2. Remove the sink carefully from inside the cabinet, and inspect for damage. If any damage found please contact customer service prior to installation.
3. Test the fit of the sink on the cabinet, and note the final position for your reference. Remove the sink and place upright on a towel or piece of cardboard [1].

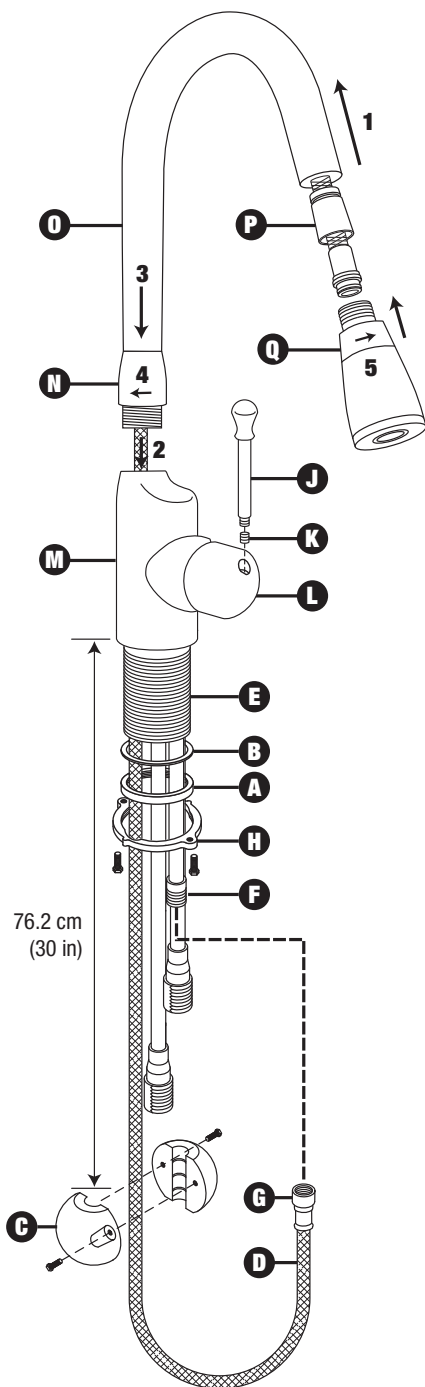
FAUCET ASSEMBLY

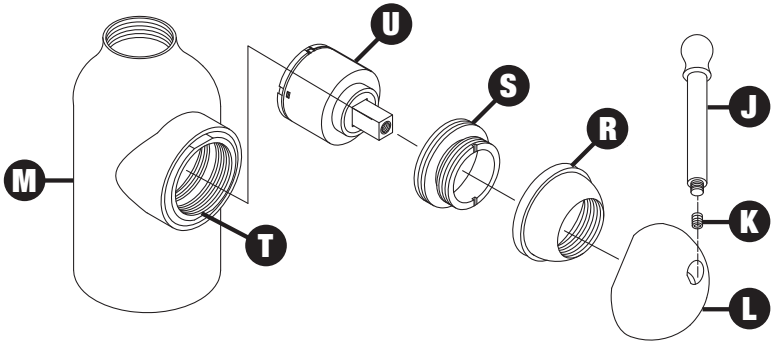
1. Thread the hose [D] through the pipe [O] inserting first the small fitting [G].
2. Thread the hose through the body [M] of the faucet also inserting first the small fitting [G].
3. Push down the end of the pipe that has the nut [N] onto the body of the faucet.
4. Hand tighten clockwise the nut [N] onto the body of the faucet.
5. Hold with one hand the end of the hose [D] that has the large fitting [P] and with the other hand hand tighten clockwise the faucet head [Q] onto the fitting. Push hose in so the head aligns properly with the notches on the pipe.
6. Unscrew the retaining ring [H] from the bottom of the faucet and ensure the washer [A] and gasket [B] are also kept with the ring [H].
7. Install the faucet through the hole on the sink, by first threading the flexible hose [D] through the hole, then place the base of the faucet thru the hole. A second person may be required to hold this in place until the faucet installation is complete.
8. From underneath, slide the washer and gasket [A+B] and then the retaining ring [H] over the free end of the flexible hose [D] and slide it up to the exposed threaded section of the faucet [E].
9. Tighten the retaining ring [H] by hand until it is snug. Using a wrench or pliers, tighten the assembly. Do not over tighten. Gently tighten the 2 screws on the retaining ring [H].

10. Attach the free end [G] of the flexible hose onto the faucet outlet [F].
11. Install the counter-weight [C] on the flexible hose [D] approximately 30 inches (76.2 cm) down from the underside of the faucet. This can be adjusted based on your own requirements, but this is the normal location.
12. Screw lever [J] into the handle body [L]. If the handle body [L] becomes loose over time, remove the lever [J] and using the supplied Allen wrench, tighten the screw [K] that is inside.

CARTRIDGE REPLACEMENT

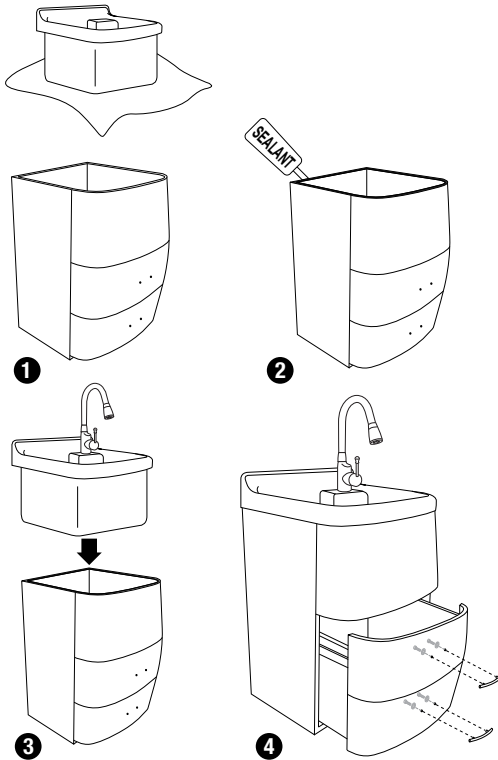
If in the future, the ceramic cartridge needs to be replaced then: TURN OFF THE WATER SUPPLY TO THE FAUCET. Remove the lever [J]. With the Allen wrench, release the screw [K] and pull out the handle body [L]. The top lever of the cartridge will be exposed. Unscrew cap [R], and rings [S], be careful not to damage the threads. Pull cartridge [U] out and replace with a new 35mm ceramic cartridge. Replace rings [S] then cap [R]. Then place handle body on the cartridge lever. With the Allen wrench tighten Allen screw [K] and then replace lever [J]. Open the water feed slowly to faucet and test.





MOUNT THE UTILITY SINK

1. Carefully place a bead of sealant all around the top of the cabinet. [2]
2. Ease the sink onto the cabinet, and ensure it is placed evenly and centered on the cabinet. Use masking tape to hold the unit in place until the sealant dries. [3]

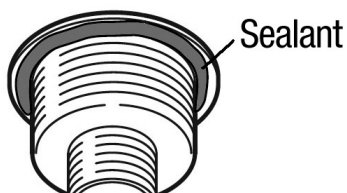


ATTACH DRAWER HANDLES

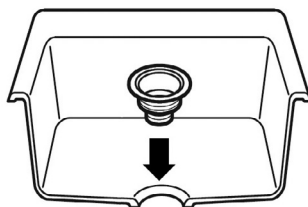
To attach drawer handles to drawer panel, insert each screw through a washer, then insert into the four pre-drilled holes. Thread each screw into the handles. Do not over tighten screws. [4]

STRAINER INSTALLATION

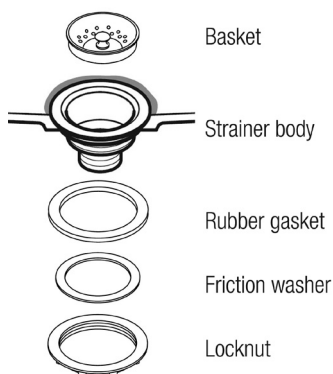
1. Apply a sealing ring of plumber's putty to the underside of strainer flange.



2. Insert the strainer body in the sink.



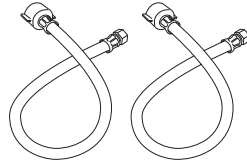
3. Assemble the rubber gasket, friction washer and locknut onto the strainer body from under the sink.



4. Hand tighten locknut. Do not over tighten locknut as it may split or deform the body of the strainer.

SUPPLY LINE ASSEMBLY

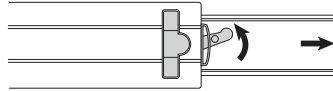
The supply lines that attach the faucet to the household water system, are not supplied with this unit. They need to be purchased separately. Follow the supply line manufacturers instructions for proper installation.



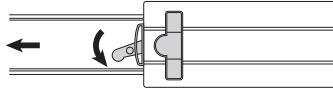
DRAWER REMOVAL

To remove the drawer, pull out to its fullest extension. On each of the drawer slides there is a black lever that will slide out (only when the drawer is opened to its fullest position). Push the lever on the left slide up and the right lever down. The drawer should now slide away from the cabinet. Reverse this procedure to replace the drawer.

Left drawer slide



Right drawer slide



PLACEMENT

Move the assembled unit to the final location. If required, level the unit by adjusting the 4 leveling feet and ensure no rocking is exhibited. Final hook up of the supply lines and drain system can now be completed.

CLEANING AND MAINTENANCE

To maintain the smooth, high gloss surface of your sink, follow these tips:

- Use common household cleaners (non-abrasive) or a mild liquid dish washing detergent. Rinse well and dry with a clean cloth.
- Do not allow your acrylic surface to come into contact with products such as acetone (nail polish remover), nail polish, dry cleaning solution, lacquer thinners, gasoline, pine oil, etc.
- Remove dust and dry dirt with a soft, damp cloth.
- Clean grease, oil, paint and ink stains with isopropyl (rubbing alcohol). Immediately rinse with water after removal of stain.
- Avoid using razor blades or other sharp instruments that might fall and scratch the surface.

WARRANTY

Quality Craft warrants to the original retail purchaser that the product purchased is free from defects in material and workmanship, and agrees to repair or replace, at Quality Craft's option, any defective product for a period of one (1) year from date of purchase. Warranty is not transferable. Proof of purchase date required. This warranty covers only damage resulting from defects in material or workmanship; it does not cover conditions or malfunctions resulting from normal wear, neglect, abuse, accident or repairs.

Call customer service at 1-800-459-4409 (EST). Before you make your call please make sure you have:

1. The model number of your product
2. Proof of sale
3. Details regarding the problem
4. Your contact information ready

Imported by:

Costco Wholesale Corporation

P.O. Box 34535

Seattle, WA 98124-1535

1-800-774-2678

www.costco.com

For customer service, contact 1-800-459-4409.

Monday to Friday 9 a.m. to 5 p.m. EST