

**SINGER**  
**154W100**

# LIST OF PARTS



## MACHINE No. 154w100

THE SINGER MANUFACTURING COMPANY

## INDEX

---

	Page
Accessories .....	14
Bobbin Winder .....	14
Foot Lifter .....	15
Machine No. 154w100 .....	5
Miscellaneous Parts .....	16
Numerical List of Parts .....	17
Thread Unwinder .....	15

# INSTRUCTIONS FOR ORDERING

In ordering from this list, use ONLY the PART number in the FIRST column.

The number stamped on a Sewing Machine Part is the number of the Single Part only, except when the part includes Set Screws, Clamping Screws, Studs and Rollers Spun on, Small Wires riveted, or Parts soldered together, etc., which it is necessary to furnish in combination.

Every combination of parts sent out has its specific number which, although not stamped on Parts (except in above case), must be used when ordering the combination.

Each number always indicates the SAME PART in whatever list it appears, or for whatever Machine.

The letters after some of the numbers indicate the style of finish only, as follows:

- A. Hardened, Polished, Nickel Plated and Buffed.
- B. Polished, Nickel Plated and Buffed.
- C. Hardened only.
- D. Polished only.
- E. Soft, not polished.
- F. Hardened and Polished.
- H. Blued.
- J. Nickel Plated only.
- R. Merlized.
- X. Black Oxide.
- XC. Hardened and Black Oxide.
- Y. Blade Nickel only.

These letters MUST BE USED when they appear in the list and AFTER the number, as in the list.

In this series

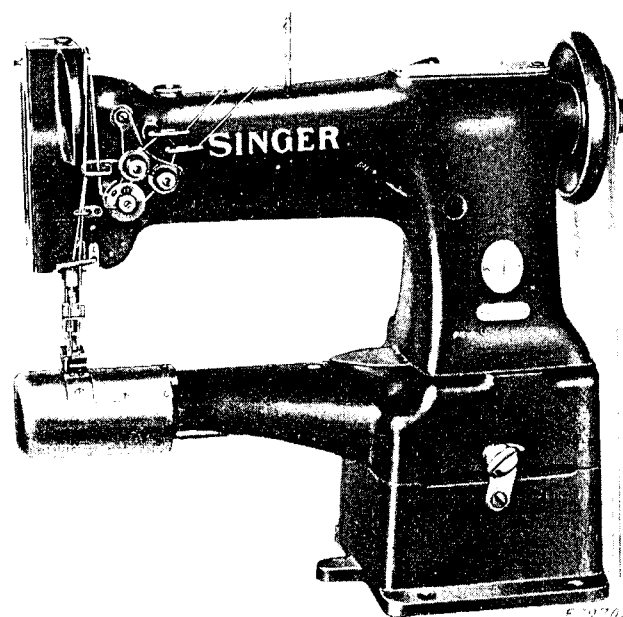
200001 to 201500 and 350001 to 351500 are Screw Numbers.  
 201501 to 201800 and 351501 to 351800 are Nut Numbers.  
 201801 to 202000 and 351801 to 352000 are Roller Numbers.  
 202001 to 350000 are Numbers of Machine Parts.

The figures in the second column refer only to the plate in which the illustration of the part is shown and are TO BE USED in ordering.

Two or more numbers over a cut indicate that the difference between such parts is not visible in an illustration.

Parts marked with an asterisk (\*) are furnished when repairs are made at the factory.

## LIST OF PARTS COMPLETE FOR



### MACHINE No. 154w100

HIGH SPEED. TWO NEEDLE. CYLINDER BED.  
COMPOUND FEED.

For Setting Sleeves in Rain Coats and Similar Work.

Made in Gauges from 1/8 to 1/2 inch.

No.	Plate	Name
*240601	-----	Arm with 202135
224002	16951	" Cap
200278H	16951	" " Screw
202248	16951	" " " Washer
204235	16953	" Position Pin (2)
200004E	16953	" Screw (3)
202005	16953	" " Washer (3)
240602	16951	" Shaft with 200357E and 224392
223607	16951	" " Bushing (back) with 202260
202260	16951	" " " " Oil Packing (wick)
200338C	16951	" " " " Set Screw
207080	16951	" " " (front) with 202244
202244	16951	" " " " Oil Packing (wick)

## PARTS FOR MACHINE No. 154w100

No.	Plate	Name
200502B	16951	Arm Shaft Bushing (front) Oil Packing Thumb Screw
200338C	16951	Arm Shaft Bushing (front) Set Screw
235003	16953	" " Connection Belt
224104	16953	" " " " Pulley with 200327C, 200602E and two 202253
200602E	16953	Arm Shaft Connection Belt Pulley Posi- tion Screw
200327C	16953	Arm Shaft Connection Belt Pulley Set Screw
202253	16953	Arm Shaft Connection Belt Pulley Spring Flange
233692	16952	Arm Shaft Connection Belt Timing Plate
200164B	16952	" " " " " " " Screw (2)
224392	16951	Arm Shaft Oil Packing (wick)
200357E	16951	" " " " Stop Screw
241561	16951	Balance Wheel (disc) (belt groove 2-3/4 in.diam.) with 200328C and 200335C
200328C	16951	Balance Wheel Position Screw
200335C	16951	" " Set Screw
*240701	-----	Bed (cylinder)
238202	16960	" " End Cover
213890	16960	" Base (4 in.high)
203184	16960	" Clamp
200262H	16960	" " Hinge Screw
202622	16960	" " Packing Washer
200728B	16960	" " Thumb Screw
203185	16960	" " Washer
202618	16960	" Hinge
200030H	16960	" " Screw (6)
213335	16960	" Slide (back)
233643	16960	" " Clamp Plate (back)
233609	16960	" " " " (front)
200582H	16960	" " " " Screw (4)
203470	16955	Bobbin (2)
*235099	-----	" Case
203648	16955	" " Latch
*202056	-----	" " " Pin
203473	16955	" " " Plunger
203474	16955	" " " Spring
233636	16955	" " Lever
*233640	-----	" " " Eccentric
221147	16955	" " " Position Pin
203577	16956	" " " Fulcrum (left) with 203579
203576	16955	" " " " (right) with 203579
200110D	16955	" " " " Screw
203578	16955	" " " Slide
203579	16955	" " " Stud
241674	16955	" " Oiling Felt

## PARTS FOR MACHINE No. 154w100

No.	Plate	Name
241675	16955	Bobbin Case Oiling Felt Retainer
350405C	16955	" " " " " Screw
203214	16955	" " Tension Spring
200984C	16955	" " " " Regulating Screw
200594C	16955	" " " " Screw
203216	16955	" " Washer (cloth)
235100	16955	Bobbin Case complete, Nos. 200594C, 200984C 202056, 203214, 203216, 203473, 203474, 203648, 235099, 241674, 241675 and two 350405C
239007	16956	Cylinder End Cover Rest
200110D	16956	" " " " Screw
210911	16960	Face Plate
202135	16960	" " Position Pin
200473B	16960	" " Thumb Screw
233694	16954	Feed Bar with 213610
213298	16954	" " Connecting Link with two 350411C
350411C	16954	" " " " Pinch Screw
200935F	16954	" " " " Screw Stud
201531E	16954	" " " " " " Nut
213610	16954	" " " " Stud
240706	16961	" Dog, 50 needle hole, for needle sizes 14 and 15, in gauges 1/8 and 5/32 in., for 240728
240707	16961	Feed Dog, 50 needle hole, for needle sizes 14 and 15, in gauges 3/16 and 7/32 in. for 240729
240709	16961	Feed Dog, 46 needle hole, for needle sizes 16 and 18, in gauges from 1/4 to 13/32 in., in steps of 1/32 in., for 240730
200544E	16961	Feed Dog Screw
224106	16953	" Driving Connection with 200049D and 202277
350410C	16953	Feed Driving Connection Hinge Screw
201517D	16953	" " " " " Nut
202277	16953	" " " " " Oil Packing (wick)
202277	16953	Feed Driving Connection Oil Packing (wick)
200049D	16953	Feed Driving Connection Pinch Screw
235082	16953	" " Eccentric Regulating Bracket
235009	16953	" " " " " " 235082 with 224108, two each 200256C and 201525E
224108	16953	Feed Driving Eccentric Regulating Brack- et Flange with 200383C and 200437C
200437C	16953	Feed Driving Eccentric Regulating Brack- et Flange Position Screw
200383C	16953	Feed Driving Eccentric Regulating Brack- et Flange Set Screw
200256C	16953	Feed Driving Eccentric Regulating Brack- et Hinge Screw

No.	Plate	Name
101525E	16953	Feed Driving Eccentric Regulating Bracket Hinge Screw Nut
202301	16953	Feed Driving Eccentric Regulating Bracket Plunger
202595	16953	Feed Driving Eccentric Regulating Bracket Plunger Spring
200607C	16953	Feed Driving Eccentric Regulating Bracket Plunger Spring Stop Screw
200256C	16953	Feed Driving Eccentric Regulating Bracket Stop Screw
201525E	16953	Feed Driving Eccentric Regulating Bracket Stop Screw Nut
200429C	16953	Feed Driving Eccentric Regulating Screw
200383C	16953	" " " " " "
		Check Screw
240610	16954	Feed Driving Rock Shaft
235080	16954	" " " " Bearing
235081	16954	" " " " Bracket
201520E	16954	" " " " Nut
208636	16954	" " " " Washer
235066	16954	" " " " Bushing
200346C	16954	" " " " Set Screw
203244	16954	" " " " Collar with two 200393C
200393C	16954	Feed Driving Rock Shaft Collar Set Screw
240611	16954	" " " " Crank with 200038C (for 6 to 12 stitches to the inch)
200038C	16954	Feed Driving Rock Shaft Crank Pinch Screw
233695	16954	Feed Lifting Cam with 200342C and 200447C
200447C	16954	Feed Lifting Cam Position Screw
233696	16954	" " " Retainer
200583H	16954	" " " Screw
200392C	16954	" " " Set Screw
240613	16951	" Regulating Spindle with 202443, 202619 and 240614 (for 6 to 12 stitches to the inch)
*240614	-----	Feed Regulating Spindle Head
202443	16951	" " " " Pin
202619	16951	" " " " Position Pin
240617	16960	Foot Lifter Lifting Lever
200262H	16960	" " " " Hinge Screw
227561	16960	" " " " Spring
200835D	16960	" " " " Screw
*244517	-----	Hook (sewing)
235897	16955	" 244517 with 240201, 249384 and two 201253F
238249	16955	Hook and Bobbin Case complete, Nos. 235100 and 235897

No.	Plate	Name
233697	16955	Hook Bevel Gear Socket, 18 teeth
203602	16956	" " " " Bushing (left)
200446C	16956	" " " " Position Screw
200556H	16955	" " " " Screw
240702	16952	" " " " Pinion (left) with three 200386C
240618	16952	Hook Bevel Pinion (right) with three 200396C
200386C	16952	Hook Bevel Pinion Set Screw
240619	16952	" Driving Counter Shaft
240620	16952	" " " " Bushing (back)
200346C	16952	" " " " " " Set Screw
235017	16952	Hook Driving Counter Shaft Bushing (front)
200346C	16952	Hook Driving Counter Shaft Bushing (front) Set Screw
235018	16952	Hook Driving Counter Shaft Gear with 200382C and 200398C
200398C	16952	Hook Driving Counter Shaft Gear Position Screw
200382C	16952	Hook Driving Counter Shaft Gear Set Screw
240621	16952	Hook Driving Counter Shaft Oil Tube (brass)
240703	16952	Hook Driving Shaft
235021	16952	" " " Bushing
201470C	16952	" " " " Set Screw
203244	16952	" " " Collar with two 200393C
200393C	16952	" " " " Set Screw
235018	16952	" " " Gear with 200382C and 200398C
200398C	16952	Hook Driving Shaft Gear Position Screw
200382C	16952	" " " " Set Screw
240623	16952	" " " Lock Ratchet with 200354C and 200362C
240635	16960	Hook Driving Shaft Lock Ratchet Guard
201652E	16960	" " " " " " Lock Nut
200354C	16952	Hook Driving Shaft Lock Ratchet Position Screw
200362C	16952	Hook Driving Shaft Lock Ratchet Set Screw
265044	16952	Hook Driving Shaft Lock Stud
248423	16952	" " " " " Cotter Pin
265045	16952	" " " " " Socket
248425	16952	" " " " " Spring
265046	16952	Hook Driving Shaft Lock Stud complete, Nos. 248423, 248425, 265044 and 265045
249384	16955	Hook G1b

No.	Plate	Name
201253F	16955	Hook G1b Screw
240201	16955	" Oiling Felt
238242	16956	" Saddle (left) with 200446C, 202299 and two 200110D
238243	16956	Hook Saddle (left) complete, Nos. 200556H, 203577, 203578, 203602, 233636, 233697, 238237, 238242, 238249 and 239007
203603	16955	Hook Saddle (right) with 200110D and 202299
238244	16955	Hook Saddle (right) complete, Nos. 200556H, 203576, 203578, 203603, 233636, 233697, 238237 and 238249
202299	16955	Hook Saddle Oil Packing (wick)
200541E	16955	" " Screw (3)
350259E	16956	" " " (long)
225837	16955	" " " Washer (4)
238237	16955	" Washer with 233640 and three 221147
223686	16957	Needle Bar
202552	16957	" " Connecting Link
264718	16957	" " " " Oil Guard
201183D	16957	" " " " " Screw
202333	16957	" " " " Stud with 202254
202254	16957	Needle Bar Connecting Link Stud Oil Packing (wick)
200374C	16957	Needle Bar Connecting Link Stud Set Screw
200383C	16957	Needle Bar Connecting Link Stud Set Screw
223688	16957	Needle Bar Connecting Stud with 200072C and 202330
202330	16957	Needle Bar Connecting Stud Oil Packing (wick)
200072C	16957	Needle Bar Connecting Stud Pinch Screw
202692	16957	" " Crank with 200335C, 200374C, 200383C, 200428C and 202333
223877	16957	Needle Bar Crank 202692 with 202399, 202400, 202552, 223688 and 223881
203172	16957	Needle Bar Crank Friction Washer
200428C	16957	" " " Position Screw
200335C	16957	" " " Set Screw
237339	16957	" " Rock Frame
210910	16957	" " " " Hinge Stud with 202277
202277	16957	Needle Bar Rock Frame Hinge Stud Oil Packing (wick)
200347C	16957	Needle Bar Rock Frame Hinge Stud Set Screw
202666	16957	Needle Bar Rock Frame Position Bracket
200098F	16957	" " " " " " Screw

No.	Plate	Name
223690	16954	Needle Bar Rock Frame Rock Shaft
223691	16954	" " " " " " " 223690 with 200387C and 210920
264112	16954	Needle Bar Rock Frame Rock Shaft Crank with 200029E
240624	16953	Needle Bar Rock Frame Rock Shaft Crank Connection with 202277
200833C	16953	Needle Bar Rock Frame Rock Shaft Crank Connection Hinge Screw
201522E	16953	Needle Bar Rock Frame Rock Shaft Crank Connection Hinge Screw Nut
202277	16953	Needle Bar Rock Frame Rock Shaft Crank Connection Oil Packing (wick)
200029E	16954	Needle Bar Rock Frame Rock Shaft Crank Pinch Screw
202668	16954	Needle Bar Rock Frame Slide Block
210920	16954	" " " " " " 202668 with 201141C
201141C	16954	Needle Bar Rock Frame Slide Block Screw Stud
200387C	16954	Needle Bar Rock Frame Slide Block Screw Stud Set Screw
223863	16957	Needle Holder, in 1/2 in. gauge, with 201030F and two 200141F
223878	16957	Needle Holder, in gauges from 1/8 to 15/32 in., in steps of 1/32 in., with 201030F and two 200141F
201030F	16957	Needle Holder Screw
200141F	16957	" Set Screw
208566	16958	Presser Bar with 200074F
207072	16958	" " Bushing (2)
200352C	16958	" " " Set Screw (2)
202671	16958	" " Lifter
200653C	16958	" " Hinge Screw
207963	16958	" " Lifting Releasing Lever Bracket
200975F	16958	Presser Bar Lifting Releasing Lever Bracket Guide Screw
206608	16958	Presser Bar Lifting Releasing Lever Bracket Spring
202337	16958	Presser Bar Position Guide
202338	16958	" " " " Lever with 200086F
200086F	16958	Presser Bar Position Guide Lever Pinch Screw
200352C	16958	Presser Bar Position Guide Set Screw
207965	16960	" " Spring (flat)
210949	16958	" " " Bracket with 200086C
200086C	16958	" " " Pinch Screw
350346C	16960	" " " Regulating Screw

## PARTS FOR MACHINE No. 154w100

No.	Plate	Name
200948F	16960	Presser Bar Spring Support Screw
230795	16958	" Foot Hinge Pin
240718	16958	" " Plate, for 240719
200074F	16958	" " Screw
223309	16958	" " Shank
240719	16958	Presser Foot (hinged) complete, 40 needle hole, in gauges 1/4, 9/32 and 5/16 in., Nos. 223309, 230795 and 240718
265032	16952	Safety Clutch Hook Driving Shaft Position Collar with two 201254C
201254C	16952	Safety Clutch Hook Driving Shaft Position Collar Set Screw
265056	16952	Safety Clutch Locking Lever
265050	16952	" " " " Connecting Link
350433C	16952	Safety Clutch Locking Lever Hinge Screw
265035	16952	" " " " Spring
200962C	16952	" " " " Adjusting Screw
200053C	16952	Safety Clutch Locking Lever Spring Screw
240625	16952	" " Pulley with 200962C and 202253
202253	16952	Safety Clutch Pulley Spring Flange
265057	16952	" " Throw-in Latch
265052	16952	" " " " Pin
265051	16952	" " " " Spring
240626	16952	Safety Clutch complete, Nos. 200053C, 240625, 265032, 265035, 265050 to 265052, 265056 and 265057 and 350433C
223881	16957	Take-up Lever
202399	16957	" " Driving Stud with 202277
202277	16957	" " " " Oil Packing (wick)
202400	16957	Take-up Lever Hinge Stud with 202423
202423	16957	" " " " Oil Packing (wick)
200383C	16957	Take-up Lever Hinge Stud Set Screw
202401	16958	" " Oiling Felt
200132E	16958	" " " " Screw
223702	16959	Tension Bracket with two each 201224B and 236060
200159F	16959	Tension Bracket Screw
223705	16959	Tension Bracket complete, Nos. 200978H, 201199F, 223702, 223703, 223706, 237174, two each 13710, 200309E, 204271, 223704, three 201572B and four 244048
244048	16959	Tension Disc
236060	16959	" " Position Pin
223703	16959	" Release Lever
235072	16959	" " " Rod
200309E	16959	" " " Screw

## PARTS FOR MACHINE No. 154w100

No.	Plate	Name
223704	16959	Tension Release Plunger
204271	16959	" " Washer
13710	16959	" Spring
201224B	16959	" Stud
201572B	16959	" Thumb Nut
223706	16959	Thread Controller Disc
200978H	16959	" " " Screw
237174	16959	" " Spring
240627	16959	" " " Stop
200132E	16959	" " " " Screw
201199F	16959	" " Stud with 204925
200061C	16959	" " " Set Screw
201572B	16959	" " " Thumb Nut
204925	16959	" " " Washer
224028	16951	" Guide
224040	16959	" "
210954	16959	" " (lower)
210955	16959	" " (upper)
200582H	16959	" " Screw (4)
240034	16959	" Retainer (2)
200355H	16959	" " Set Screw (2)
240728	16961	Throat Plate, for 240706, in gauges 1/8 and 5/32 inch
240729	16961	Throat Plate, for 240707, in gauges 3/16 and 7/32 inch
240730	16961	Throat Plate, for 240709, in gauges from 1/4 to 13/32 in., in steps of 1/32 inch
200577XC	16961	Throat Plate Screw (2)

Genuine Singer Needles should be used in Singer Machines. These Needles and their Containers are marked with the Company's Trade Mark "SIMANCO." 1

Needles in Containers marked "For Singer Machines" are not Singer made needles. 2

## ACCESSORIES

No.	Plate	Name
203470	16955	Bobbin (10)
*225482	-----	" Case Screw Driver Blade
*225483	-----	" " " " Handle
225497	17010	Bobbin Case Screw Driver complete, Nos. 225482 and 225483
227104	16962	Drip Pan (cast iron, square) with one wood screw 1-1/2 in., No. 14, R.H.B.
51078	17010	Machine Bolt (4)
6055	17010	" " Washer (4)
41401	17010	" Rest Pin
135 x 7	16957	Needles, twelve, size 18
120342	17010	Oiler (copper plated) with 120343
120343	17010	" Spout (3-1/2 in. long)
*225484	-----	Screw Driver Blade
*225485	-----	" " Handle
225498	17010	Screw Driver complete (7-1/4 in. long), Nos. 225484 and 225485
225554	17010	Wrench (steel)
204033	17010	"

## BOBBIN WINDER

(SWINGING AUTOMATIC, RIGHT HAND)

225453	17619	Frame with 202277 and 225438
225454	17619	" Hinge Pin
202277	17619	" Oil Packing (wick)
225438	17619	" " Well Cap
225455	17619	" Spring
225456	17619	" " Plunger
202473	17619	Pulley with 200380C
200380C	17619	" Set Screw
225381	17619	Spindle
225444	17619	Stop Latch
200056E	17619	" " Screw
225458	17619	" " Thumb Lever
225459	17619	" " " " Hinge Stud
225459	17619	" " " " Joint Stud
202478	17619	" " Trip Lever
200299H	17619	" " " " Hinge Screw
225461	17619	Tension Bracket with 201499B
200082D	17619	" " Screw

No.	Plate	Name
228026	17619	Tension Bracket Screw Washer
2102	17619	" Disc
202407	17619	" Spring
201499B	17619	" Stud
201572B	17619	" " Thumb Nut
225462	17619	Bobbin Winder Tension Bracket complete, Nos. 201572B, 202407, 225461 and two 2102
225433	17619	Bobbin Winder and Tension Bracket Base
225382	17619	Universal Bobbin Winder complete, Nos. 200056E, 200082D, 200299H, 202473, 202478, 225381, 225433, 225444, 225453 to 225456, 225458, 225462, 228026, two each 225459 and wood screws 3/4 in., No. 12, R.H.B.

## FOOT LIFTER

227952	16962	Foot Lifter Lever with 227954
227678	16962	" " " Chain, 48 in. long with 202784
227954	16962	Foot Lifter Lever Chain Hook (lower)
202784	16962	" " " " " (upper)
225016	16962	" " " Hinge Pin
227953	16962	" " " Stand with two wood screws 1 in., No. 12
227955	16962	Foot Lifter Lever complete, Nos. 225016, 227678, 227952 and 227953 (Other Foot Lifter parts are listed with parts of machine head.)

## THREAD UNWINDER

FOR THREE SPOOLS

225259	16257	Spool Rest (for one spool) (flat) with 201018C
225257	16257	Spool Rest (for two spools) (flat) with 201018C
150203	16257	Spool Rest Cushion (felt)
225388	16257	" " Rod
200383C	16257	" " " Set Screw
201018C	16257	" " Set Screw
202490	16257	" Stand with 200383C
225391	16257	Thread Guide
201696J	16257	" " Lock Nut



## ACCESSORIES

No.	Plate	Name
225326	16257	Thread Guide Position Cup
225324	16257	" " Rod with 208E and 225322
208E	16257	" " " Screw
225322	16257	" " " Washer
259143	16257	Thread Unwinder (for three spools) complete, Nos. 201696J, 202490, 225257, 225259, 225324, 225326, 225388, three each 150203, 225391 and wood screws 7/8 in., No. 12

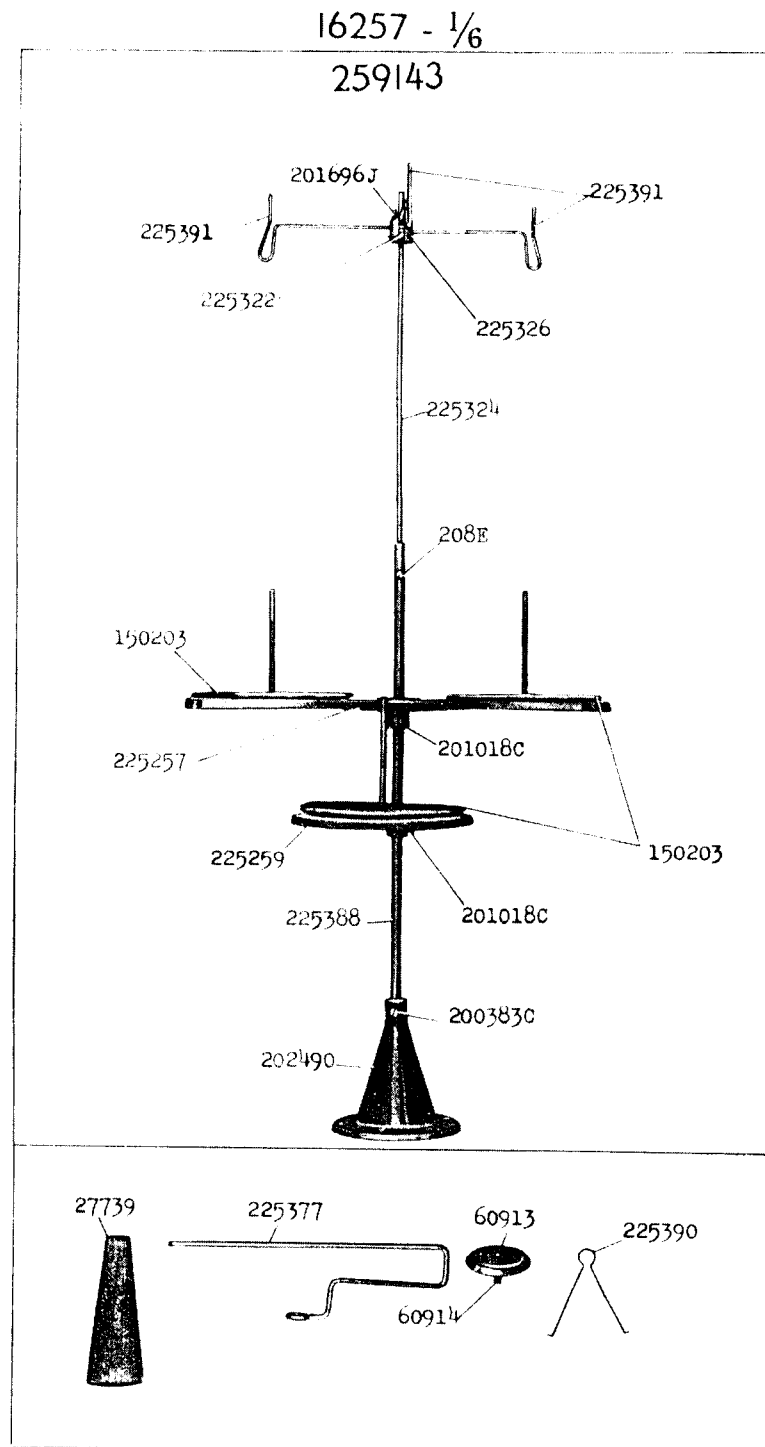
## MISCELLANEOUS PARTS

Used in Conjunction with Thread Unwinder.

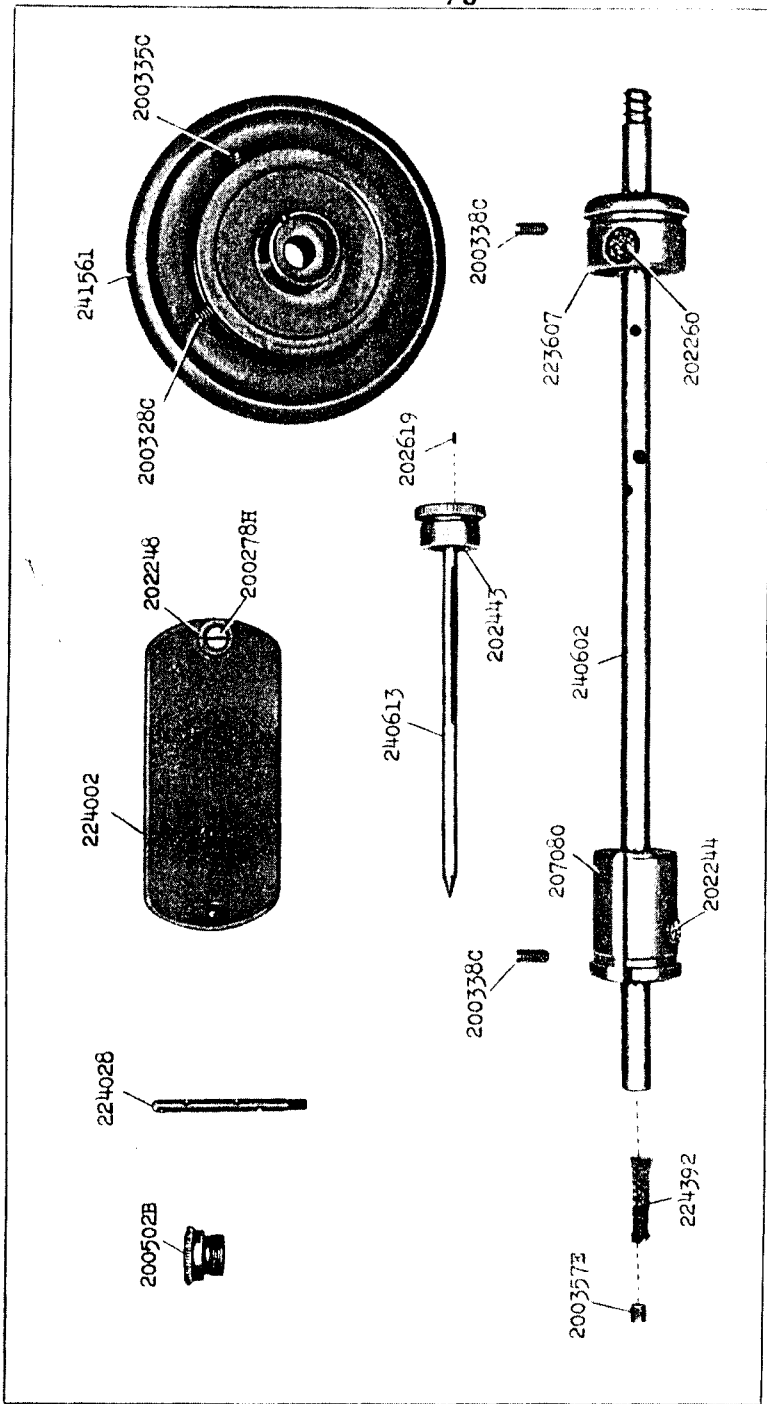
60913	16257	Spool Weight with 60914
60914	16257	" " Center Pin
225377	16257	" Wire (for small spools)
27739	16257	Thread Cone (wood)
225390	16257	" " Holder

Genuine Singer Needles should be used  
in Singer Machines.  
These Needles and their Containers  
are marked with the  
Company's Trade Mark "SIMANCO." 1

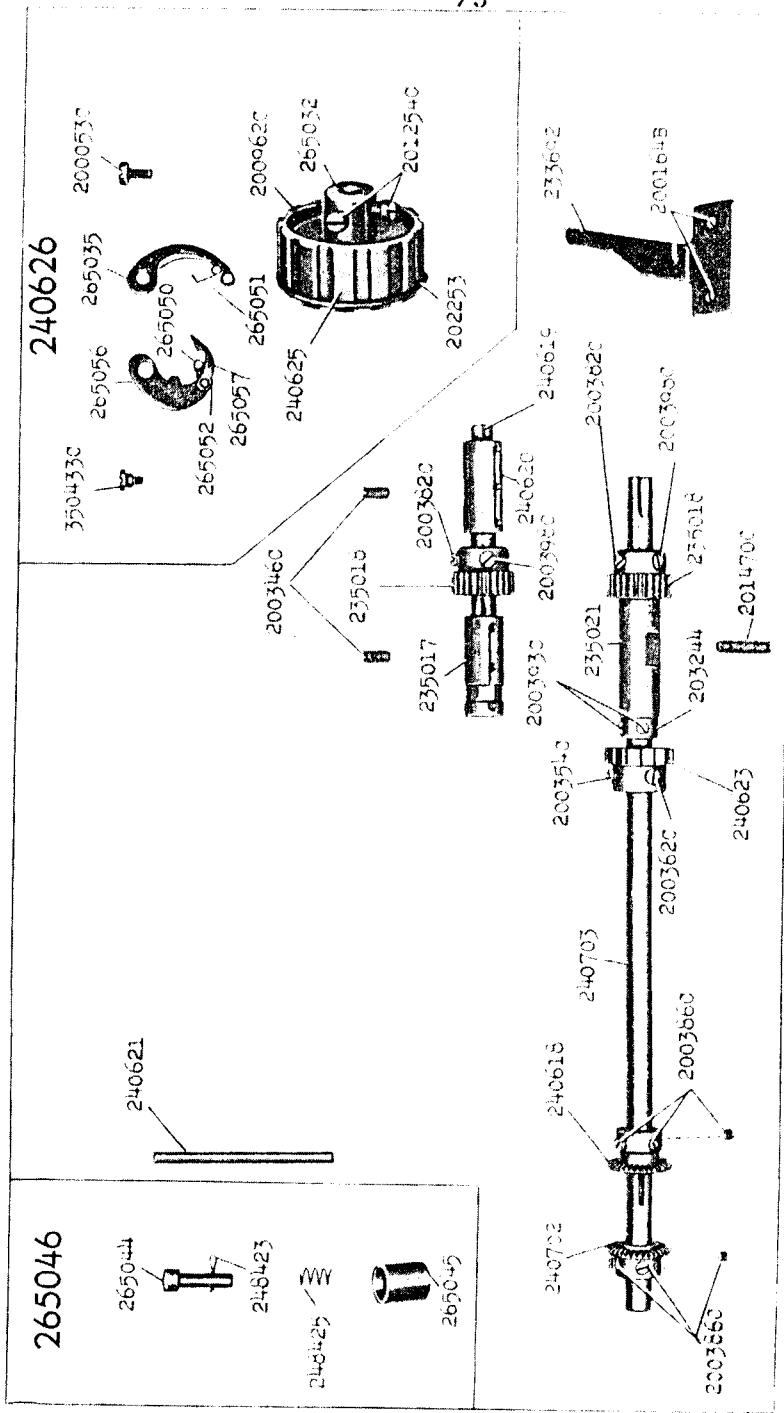
Needles in Containers marked  
"For Singer Machines"  
are not Singer made needles. 2



16951 - 1/3

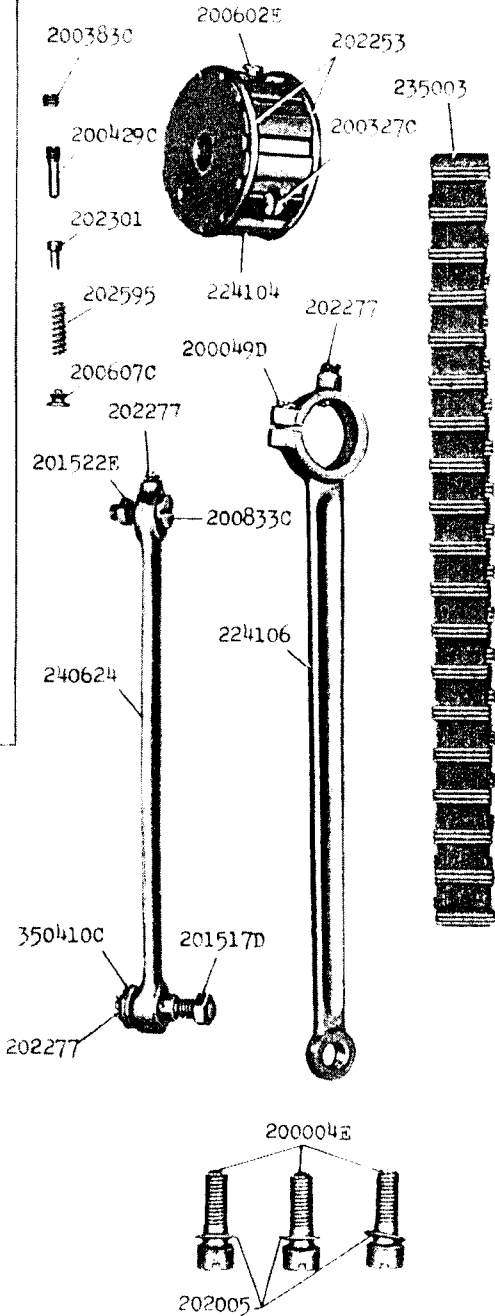
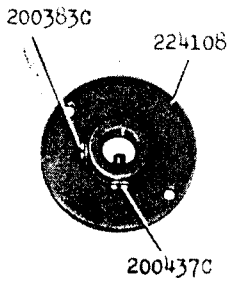
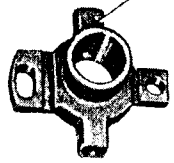
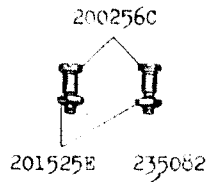


16952 - 1/3

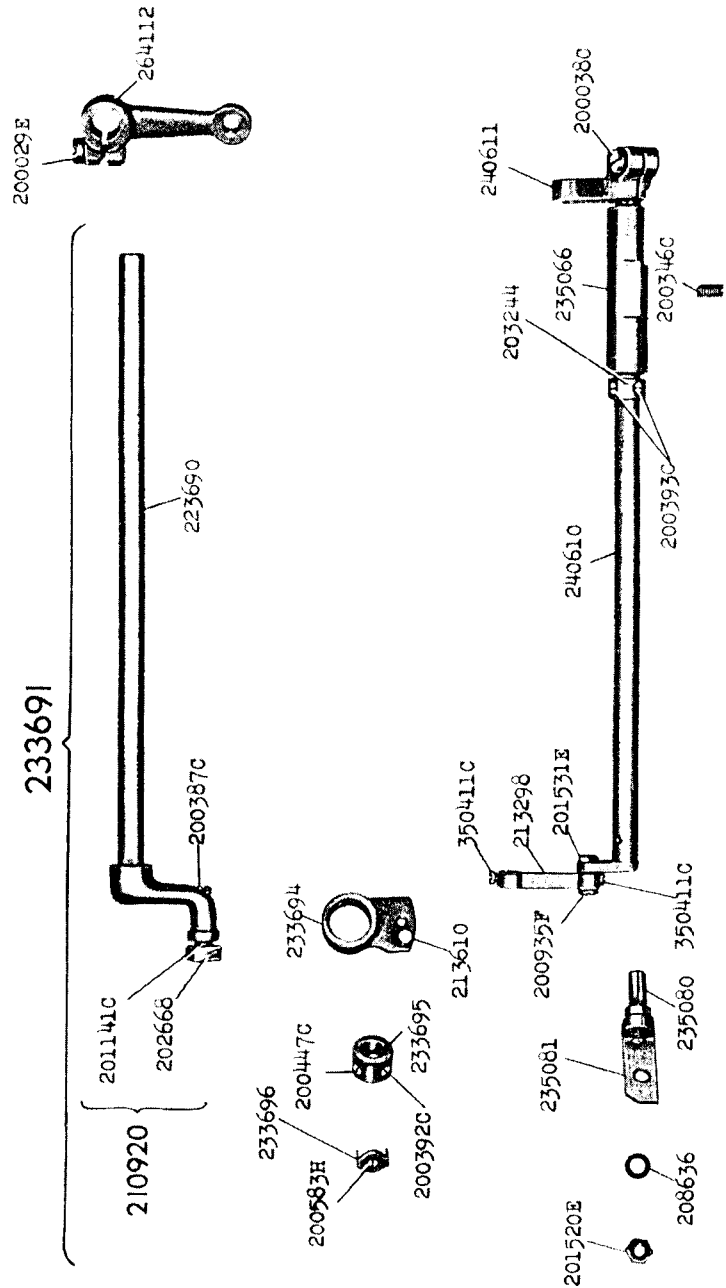


16953 - 3/8

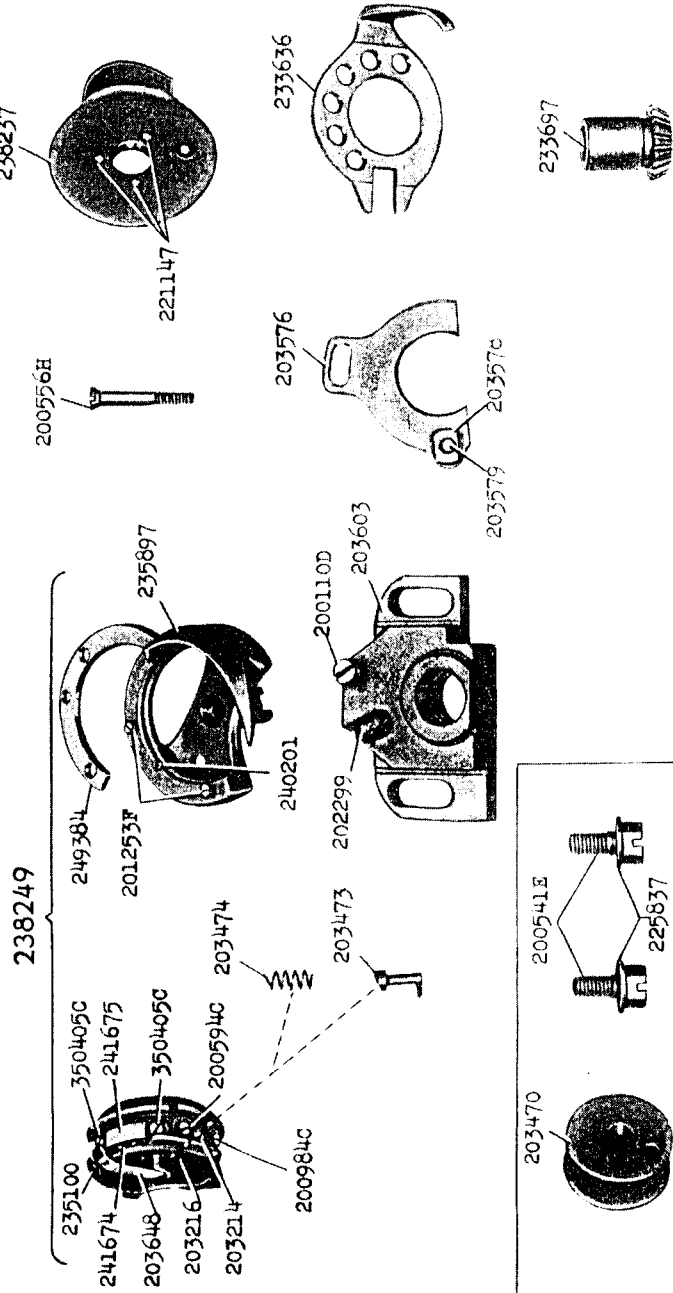
235009



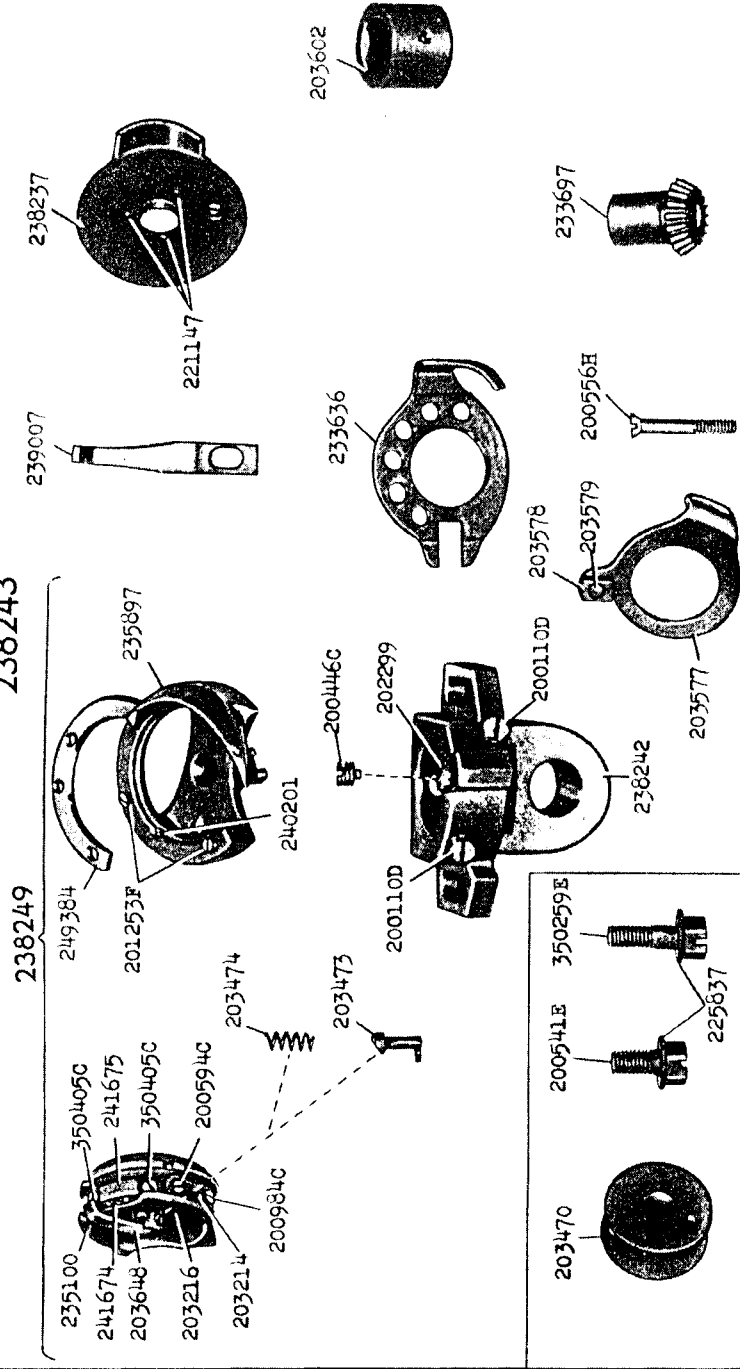
16954 - 1/3



238244

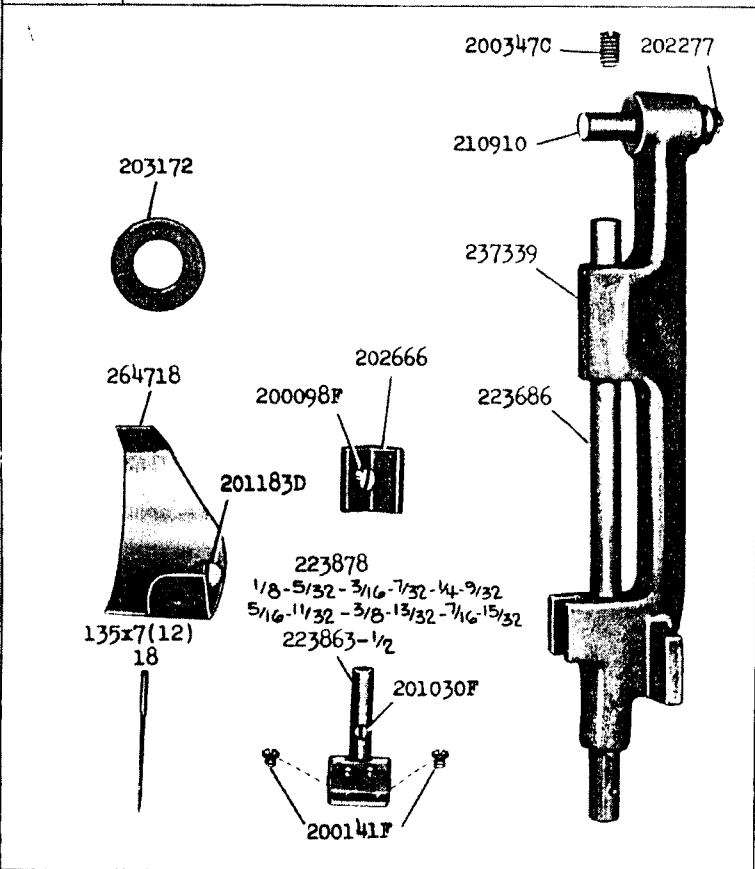
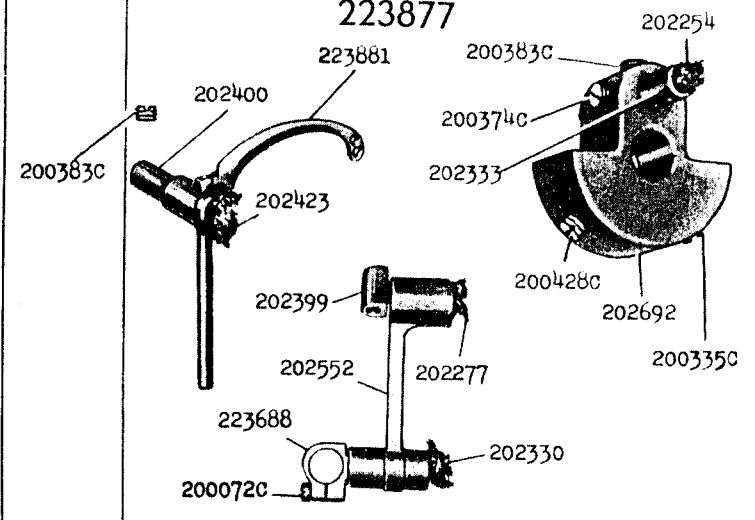


238243

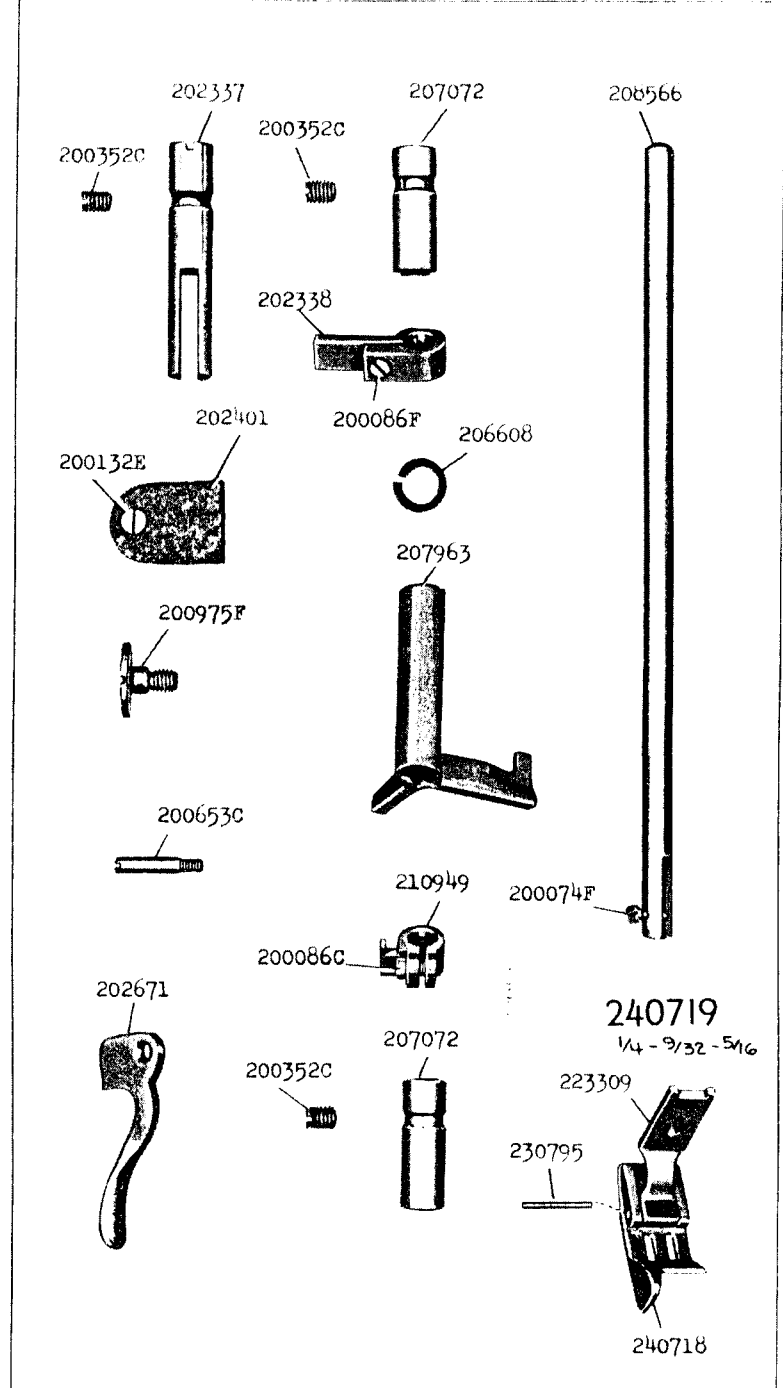


16957 - 1/2

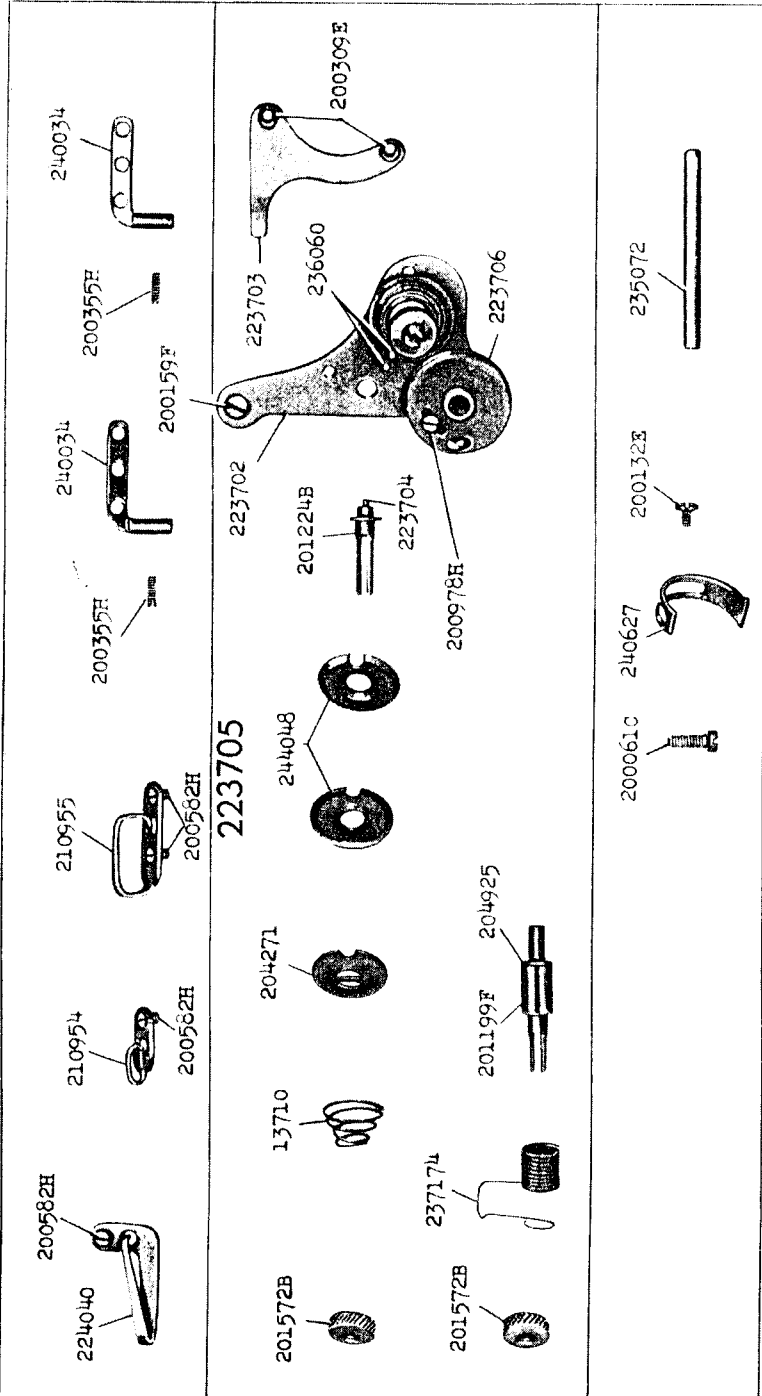
223877



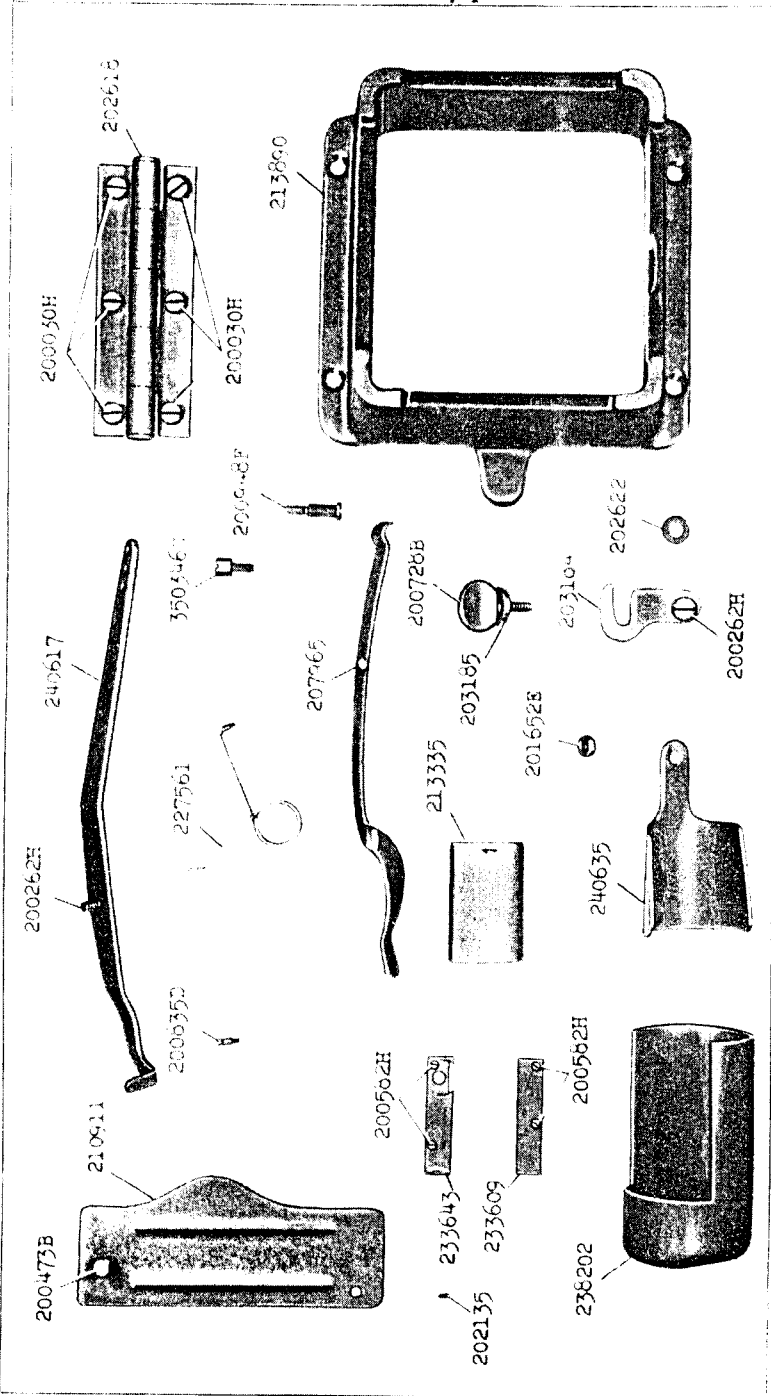
16958 - 1/2



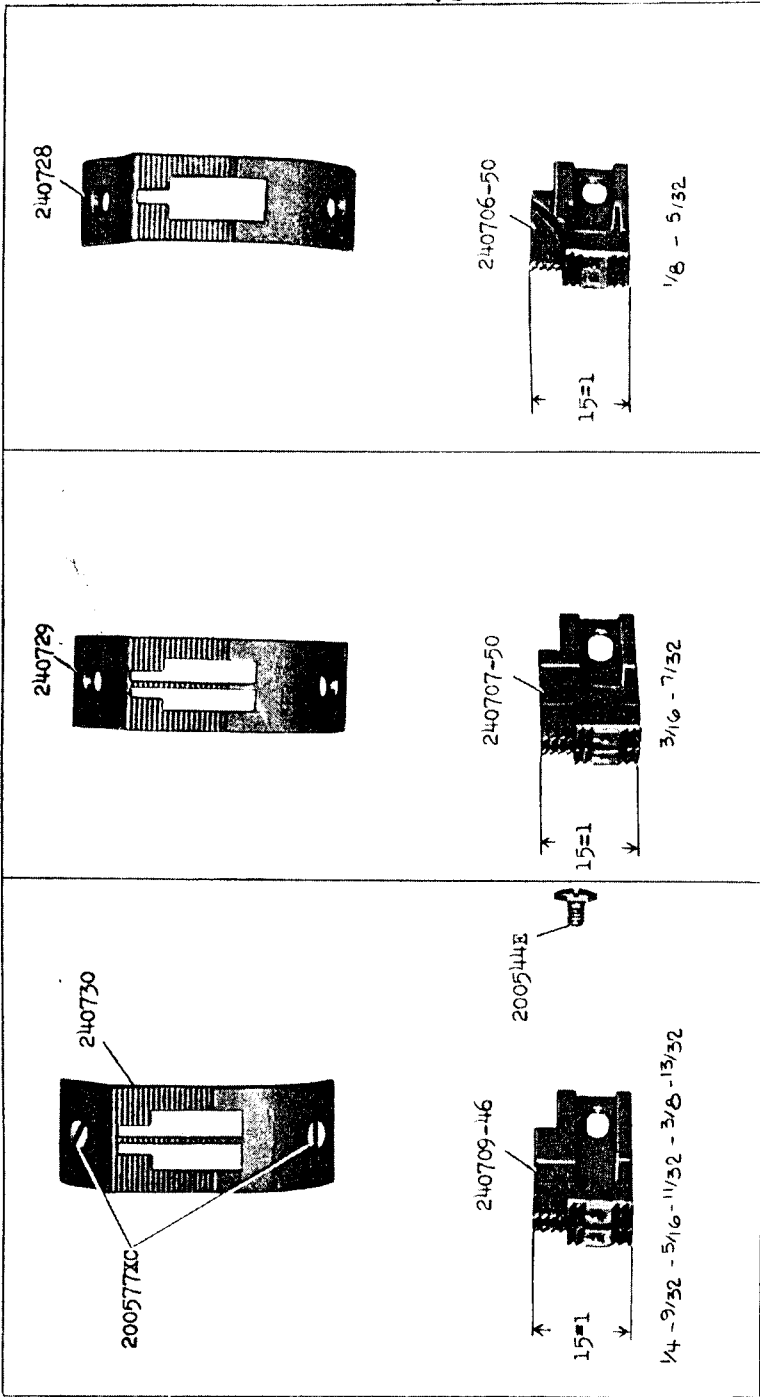
16959 - 1/2



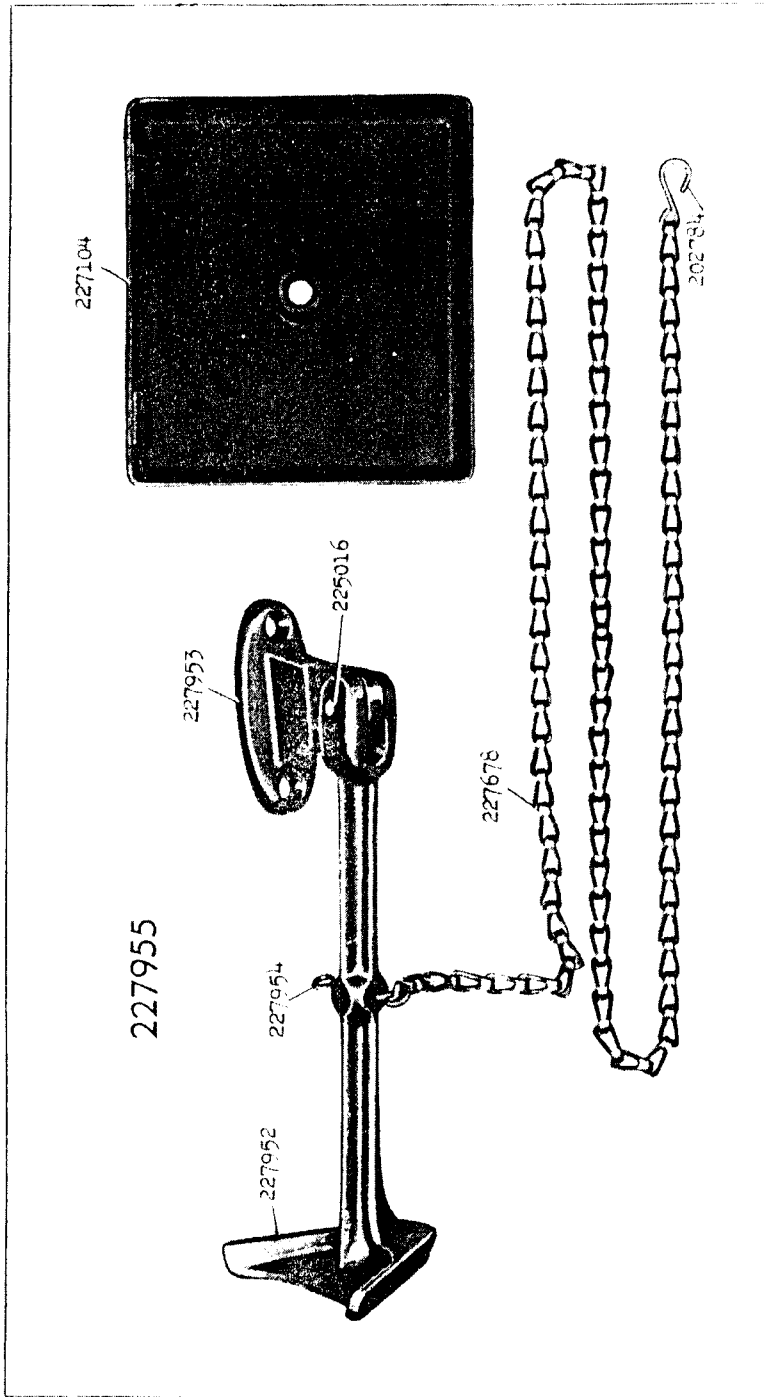
16960 - 1/4



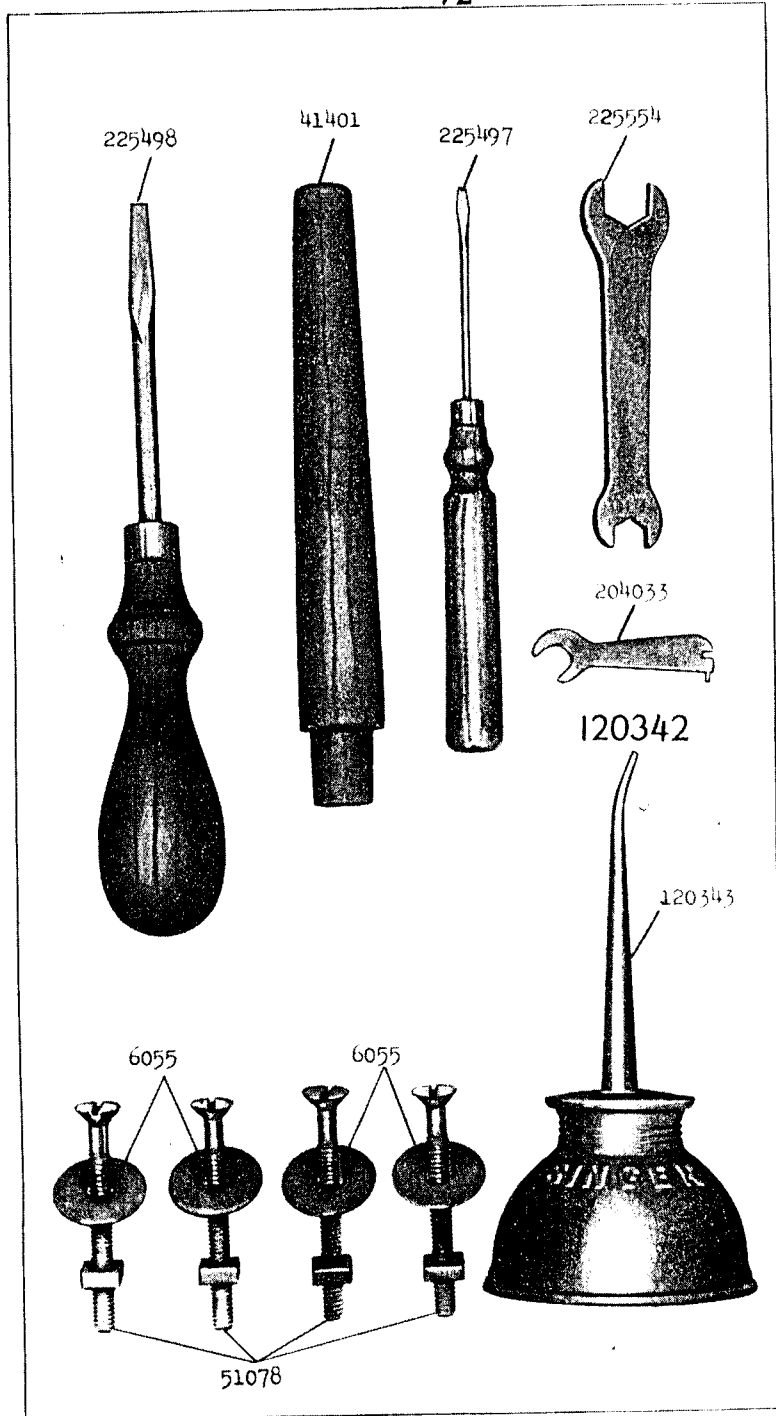
16961 - 2/3



16962 - 1/3



17010 - 1/2



17619 - 1/3

225382

225462

