

BRADSHAW RANGE

Nursing care beds



Bariatric, Low Height and Standard Electrically Operated, Variable Height Bed User Instructions

www.sidhil.com

Contents

Introduction	2
Features	2
Warnings & cautions	2
Use	3
Typical use	3
Risk assessment	3
Bed load	3
General warning	3
Symbol Definition	4
Parts Identification	5
Bed Assembly and Preparing for use	6
Removal from the transport stand	6
Assembling the bed	7
Fitting the electrical system	8
Fitting the side rails	9
Checking the bed	11
Operation of the Bed	12
General safety	12
Preparing for use	12
Brake system	13
Side rails	13
Electrical operation	15
Knee break/leg section	16
Assembly onto the Transport Stand	17
Power Failures	19
Decontamination	20
Maintenance	21
Fault finding	21
General maintenance	22
Specification	23
Bed data	23
Electrical data	23
Accessories	24
Warranty	25

1. Introduction

Thank you for purchasing this product. The user manual should be read carefully before operating the bed. Please ensure that you understand all instructions, if you have any questions concerning the operation or maintenance of the bed please contact your provider.

1.1 Features

- Electrically operated backrest, height and knee break angle
- Infinitely variable electrically operated head and foot down tilt (Trendelenburg & reverse Trendelenburg)
- Auto contour – simultaneous adjustment of the backrest and knee-break
- Patient handset with integral function lockout
- Bed breaks down into four separate sections
- Wooden full length side rails
- Transport stand to aid storage and bed transportation

1.2 Warnings and cautions

Warnings in this user manual highlight potential hazards that if disregarded could lead to injury or death.

Cautions in this user manual highlight potential hazards that if disregarded could lead to equipment damage or failure.

2. Use

2.1 Typical use

Your bed is intended for use within a nursing home or domestic environment. It has been designed to provide users with optimum independence and freedom of movement through the use of a touch button handset. The bed offers greatly reduced manual handling requirements for the carer by providing a fully profiling platform and electrical height adjustment capability.

2.2 Risk assessment

Before a patient uses the bed a risk assessment must be performed on a patient by patient basis. The risk assessment should include, but is not limited to:

- Entrapment
- Falling out of the bed
- Small children (and adults)
- Patients with learning difficulties
- Unauthorised people



Warning

Bed functions must be locked out if there is any doubt about the ability of the patient to operate the bed safely

2.3 Bed load

	Standard	Low	Bariatric
Safe Working Load	215kg (34 stone)	215kg (34 stone)	368kg (58 stone)
Maximum User Weight	178kg (28 stone)	178kg (28 stone)	318kg (50 stone)

2.4 General warning



Warning

- Misused electrical equipment can be hazardous.
- Accessories that have not been approved or designed for use with the bed should not be used.
- Electrically operated beds should not be used in the presence of flammable gasses.

3. Symbol Definition

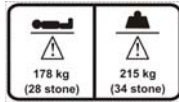
The following symbols are found on the bed:



Warning



Refer to user guide



Maximum user weight & Safe working load
(figures differ for bariatric bed)



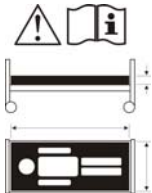
Place of manufacture



W.E.E.E Label
(Do not discard in general waste, follow local recycling policy)

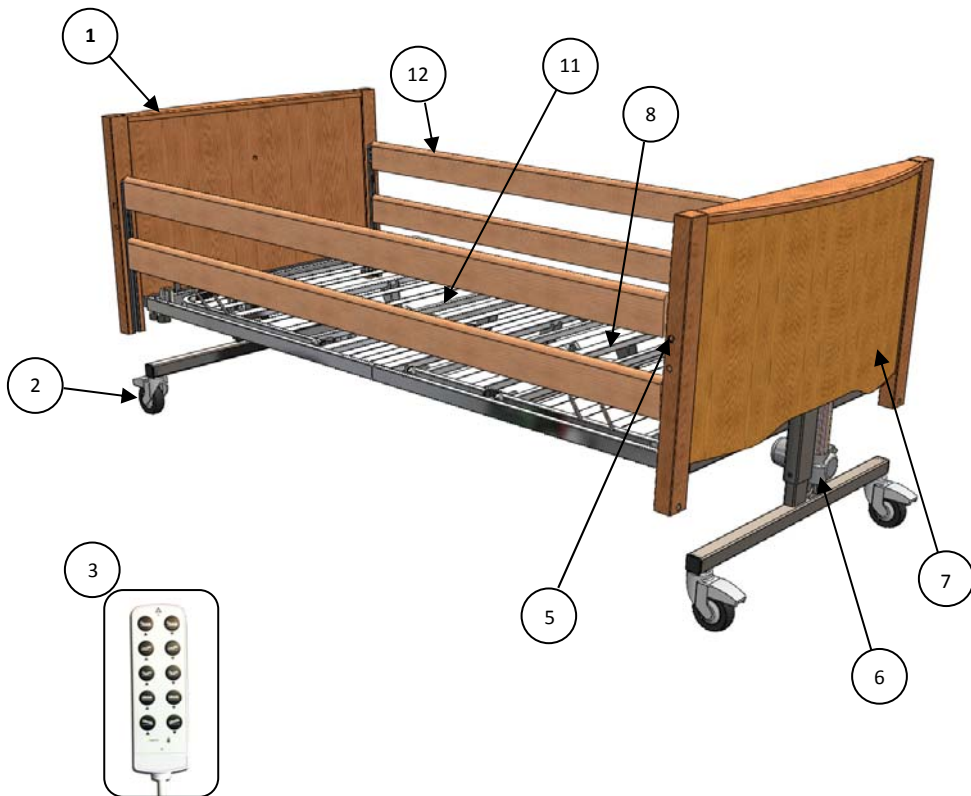


Class II, Type B



Refer to user guide for mattress suitability

4. Parts Identification



Note: Bradshaw low and Bradshaw bariatric not shown

1. Head end (actuator with blue marker)
2. Castor
3. Handset
4. Backrest actuator (not shown)
5. Side rail release button
6. Hi/low actuator
7. Foot end (actuator with white marker)
8. Knee break
9. Knee break actuator (not shown)
10. Control box (not shown)
11. Backrest
12. Side rail
13. Transport stand (not shown)

5. Bed Assembly and Preparing for use

Warning



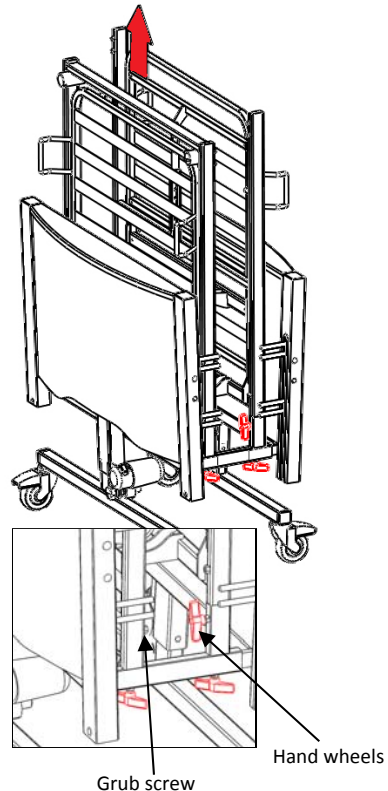
- Before attempting to assemble the bed, ensure these instructions have been read and fully understood.
- It is advisable to assemble the bed with a second able bodied person.
- Take care when disassembling the bed from the transport stand, the sections are of considerable weight. (see page 23)

5.1 Removal from the transport stand

An Allen key (provided) is necessary for the assembly of the bed. The assembly procedure is as follows:

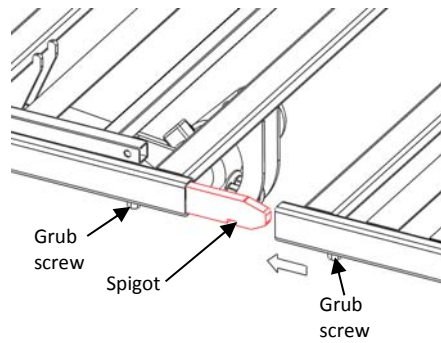
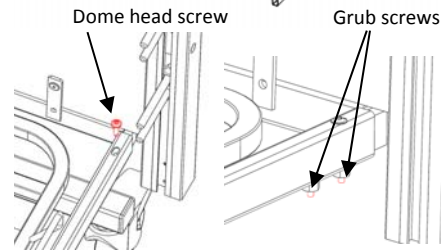
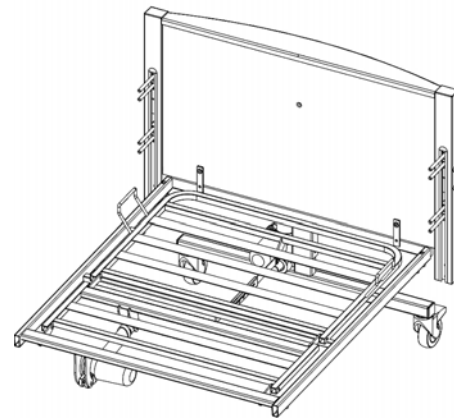
- Clear the intended area for the bed of any obstructions and ensure the surface is level.
- Apply the brakes to the castors.
- Loosen the hand wheels on the transport stand that hold the leg section in place and then lift this section off the stand and carefully place flat on the floor.
- Loosen the grub screws on the backrest section (attaching it to the transport stand) and then lift this section off the stand and carefully place flat on the floor.
- Loosen the hand wheels under the transport stand. Carefully pull one of the ends of the transport stand away from the bed end and place the bed end carefully against a wall or on the floor. **Note, when the transport stands are pulled away neither bed end will be supported.**
- Remove transport stands from remaining end.

The bed has now been separated into its constituent parts.



5.2 Assembling the bed

- Whilst supporting the foot end (identified by white marker on the actuator cable), lift the leg rest platform half and slide the spigot on the bed end into the platform's end. Once the spigot is fully inserted, lean both parts down so that the end of the platform section rests gently on the floor. Note: If this action is being undertaken by a single person Sidhil recommend that the castors are braked before assembly commences.
- Take two dome head screws (supplied) and screw them into the slots on each side. Do not fully tighten. Screw the 2 grub screws provided into each side under the slotted face. Do not fully tighten.
- Repeat for the head end and backrest platform half. (Blue marker on actuator cable identifies end).
- Cut off/remove the plastic retaining ties/Velcro straps from the head and foot mattress platforms.
- Release the brakes on the castors.
- Bring both halves of the bed together and align each section so that the spigots in the head end locate into the open tube ends in the foot end. Pull the two sections together and **tighten the 2 grub screws**.
- Once both halves are together, **tighten all grub and dome head screws** on each corner. Make sure the grub screws are tightened before tightening the dome heads.



Warning

- The bed must never be used with any screws loose or missing.

Caution



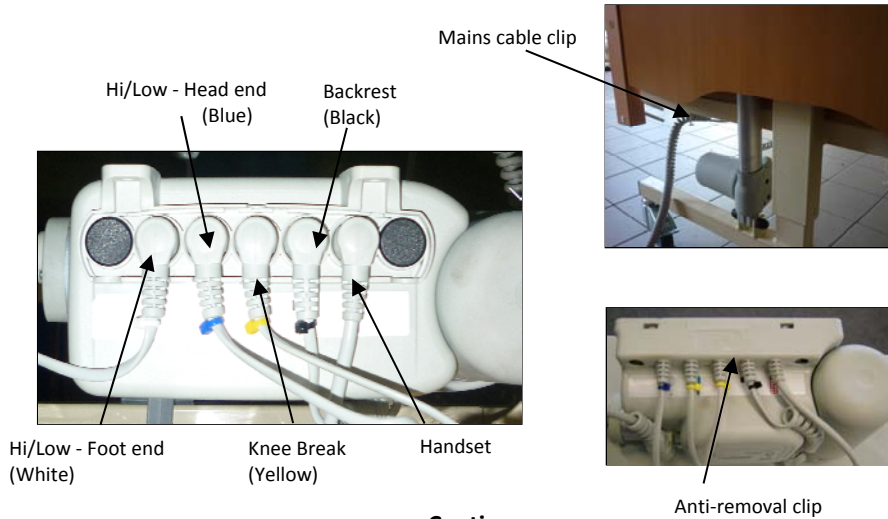
Ensure all tie wraps/Velcro (or similar) securing any of the sections in place are removed prior to operation. Otherwise damage to the frame could occur.

5.3 Fitting the electrical system

- Remove black dust caps from the 5 middle actuator ports, leaving the outer 2 in place (see bottom left image). Plug the actuator and handset cables into the control box. The cables are colour matched to the graphic on the control box, using this plug the cables into the corresponding ports. Note, the plugs only fit into the ports in one orientation. Ensure the cables are plugged fully into the control box.

Note: The two bed ends are identical but plugging them into the correct port is important. Note the cable tie colour before plugging in.

- Once all the cables are connected they are to be secured in place by attaching the supplied anti-removal clip.
- Clip the mains cable into the hook on the head end section of the bed.



Caution

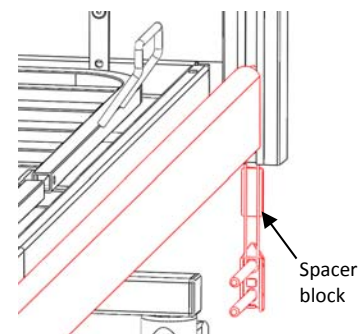
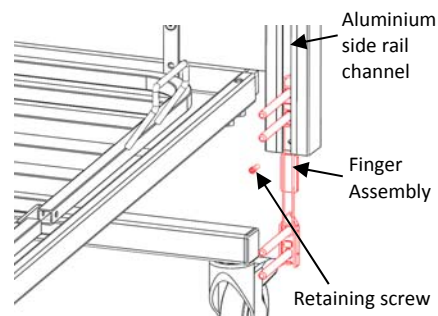
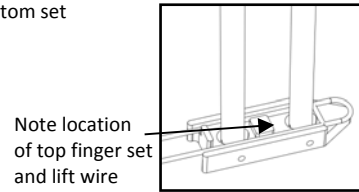
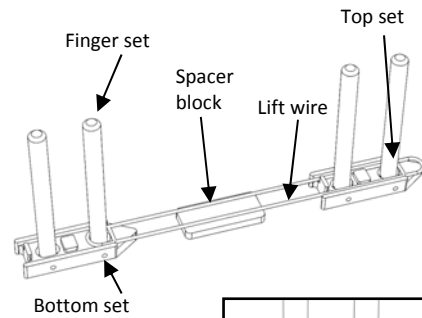


- Ensure all cables are free from moving parts and are not under excessive tension.
- Ensure the two hi/low actuators are plugged into the correct ports, if not the tilt function will not work correctly.

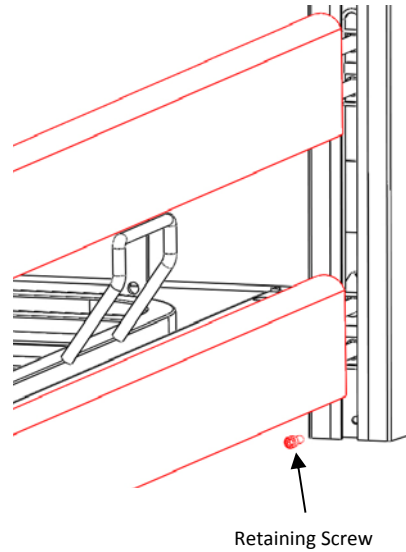
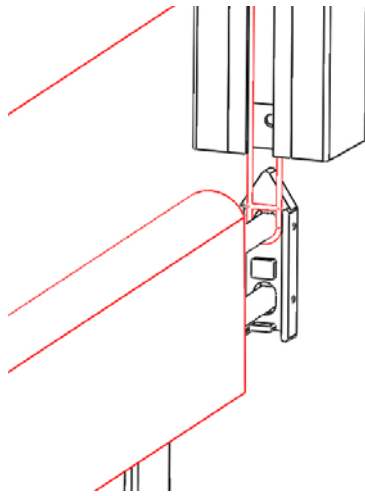
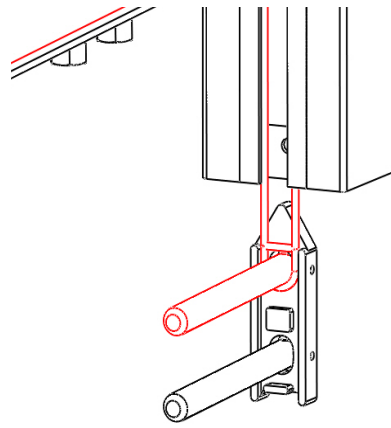


5.4 Fitting the side rails

- Lower/raise the bed to mid height (see page 15 for operation of the handset). Depress each end's side rail release button and lower the finger assemblies to the bottom of the channel.
- On the foot end, remove the retaining screw at the bottom of the aluminium side rail channel on one side. **Do not remove head end retaining screws.**
- Remove the finger assembly from the channel (diagram of the finger assembly on the top right of this page).
- Take both side rails (rounded face pointing upward) and slide the end of them into both sets of fingers that are still located in the channel at the head end of the bed. Carefully rest the unattached ends on the floor taking care to ensure that the other ends are sufficiently far into the fingers so that they will not fall out.
- Take the previously removed finger assembly, place the lift wire over top finger set (as shown in bordered diagram top right) and insert into the other end of the top side rail. Slide the finger assembly inside the channel. It is recommended that a second person holds the rail at this point.



- Whilst holding the top side rail, slide the plastic spacer block into the channel and place the top finger of the bottom finger set through the hole in the lift wire (diagram to the right) and into the other end of the bottom side rail and lift the assembly until a click is heard.
- Re-fit the previously removed retaining screw. (This ensures that the side rail finger assembly will not fall out of the channel when in the lowered position).
- Repeat the assembly process for the side rails on the other side of the bed.



Warning



If there is any doubt about the assembly of the side rails contact the provider of the equipment, incorrectly fitted side rails can lead to death.

5.5 Checking the bed

The bed is now fully assembled. Before the bed is put into use ensure the bed is correctly assembled:

- Are the grub and dome screws on all 4 corners of the bed fully tightened fully?
- Are the 2 grub screws on each side of the bed connecting the two halves fully tightened?
- Has all packaging been removed, e.g. cable ties/Velcro securing the platform sections?
- Are the cables free of all moving parts of the bed and is there sufficient slack in the cables to allow for movement?
- Is the bed clear of obstructions?
- Has a risk assessment been performed on the suitability of the bed for the user?

6. Operation of the Bed

6.1 General safety

- When the bed is operated, ensure that obstacles such as over-bed tables and other furniture are not causing an obstruction.
- Ensure the electrical cables are not in tension.
- Ensure that any mattresses used are of the correct size and type and have been fitted correctly. A range of suitable pressure relieving and pressure reducing mattresses are available from Sidhil Ltd.
- Before operating the bed ensure the patient is positioned appropriately.
- When a patient is left unattended ensure the bed is set at its minimum height.
- Ensure the bed frame is adequately clear from fixtures, furnishings and any obstructions.



Caution

Special care should be taken when fitting an air mattress to the bed as incorrect fitting could damage the bed frame.

6.2 Preparing for use

Prior to operating the bed for the first time the following simple checks must be performed:

- Ensure the bed and all accessories are at room temperature.
- Ensure the bed has been cleaned and disinfected (page 20).
- Ensure the mains cable is plugged into an appropriate mains socket.
- Ensure the brakes on the castors at the head end of the bed have been applied.
- Using the handset ensure the bed is level (see page 15 for handset operation).

Note, if the electrical functions do not operate ensure the handset has been 'unlocked' (see page 15 for handset operation).

6.3 Brake system

The bed has 4 braked castors.

- To apply the brakes: Press the brake pedal down.
- To release the brakes: Lift the brake pedal up.

When the bed is in use ensure the brakes on the castors at the head end of the bed have been applied.

Warning



- If the bed is to be pushed up/down a slope it is advised that two people move the bed, with one person at each end.
- If the bed is to be pushed with a heavy load it should be assessed whether or not two people should move the bed, this is dependent on the situation and load on the bed.

6.4 Side rails

The bed comes as standard with full length side rails. A side rail height extension can be ordered as an accessory.

When specifying a mattress and side rail combination a clinical assessment of the patient's needs must be carried out in line with the local policy.

6.4.1 Mattress thicknesses

Warning



- Full length side rails = 158mm maximum mattress thickness
- Full length side rails with height extension = 270mm maximum mattress thickness
- Side rails must only be used with a mattress of the correct size and type that is approved for use with this bed.

If an overlay air mattress is used it may be necessary to use a thinner foam mattress for the combined height to maintain the 270mm dimension.

Refer to MHRA Device Bulletin DB2006 (06) 'Safe use of bed rails'.

Side rails pose a potential entrapment hazard, please refer to the side rail safety notice, SR/PSN 01/01/1, supplied with this product.

6.4.2 Operating the side rails

Warning



- Ensure the side rails are locked in place at all times when in the raised position.
- A risk assessment should be carried out to consider the age, condition and size of the patient to assess the suitability of side rails.
- Side rails are not designed to act as restraints for patients.
- Side rails are not designed to be used as a patient lifting aid.
- When operating the side rails ensure they are free from obstructions, to prevent injury/entrapment.

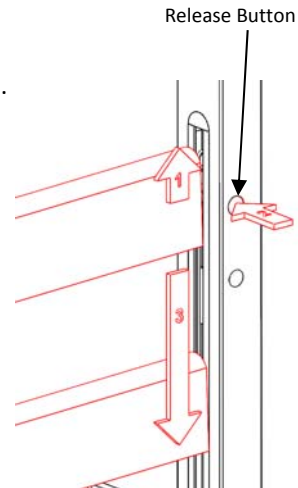
Caution



- Do not use the side rails to move the bed.
- When lowering do not drop the side rail.

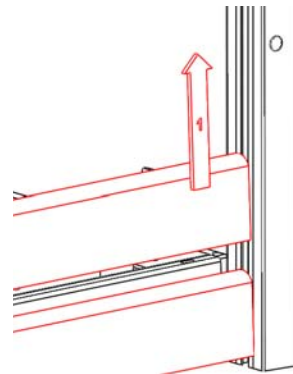
To lower:

1. Lift the side rail vertically upwards.
2. Depress the release button.
3. Gently lower the side rail (the release button can be let depressed when lowering side rail).



To raise:

1. Lift the side rail until it is heard to latch into position at the top height.



6.5 Electrical operation

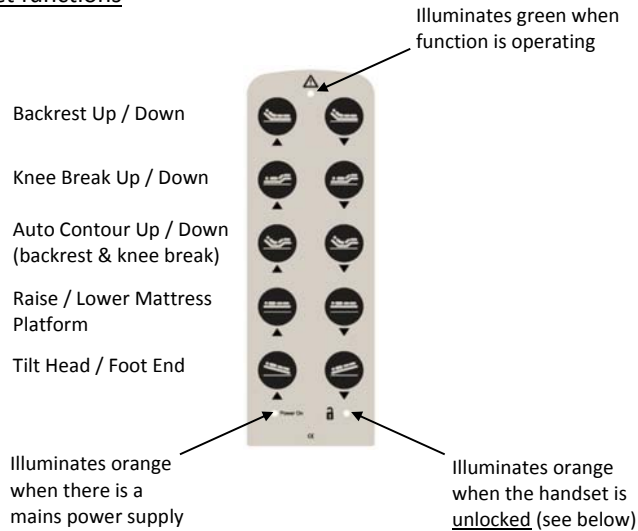
The bed is supplied with an easy to use handset, the handset can either be operated by the occupant or carer. If the carer is to operate the bed ensure that the occupant is made aware of the action(s) about to take place.



Warning

Ensure a risk assessment is undertaken to ensure the suitability of the occupant using the handset.

6.5.1 Handset functions



6.5.2 Lockout function

The handset is supplied with a lockout function which enables the carer to disable the handset if it is deemed unsuitable for the occupant.

To lock/unlock the handset, swipe the fob over the padlock symbol.



The handset is likely to be in the locked state when the bed is first installed.



Warning

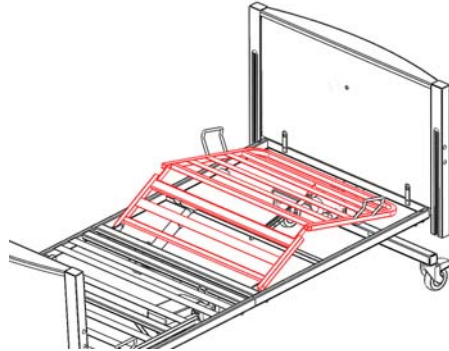
The bed is not fitted with a battery backup facility. The bed must always be plugged into the mains supply during normal use.

6.6 Knee break/leg section

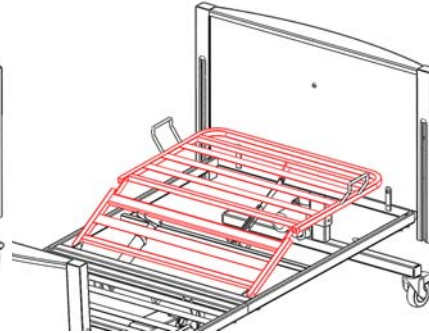
Note: The operation of the knee break/leg section is dependent on the position of the ratchet as detailed below.

The bed is fitted with an adjustable leg section. When the knee break function on the handset is operated the height or angle of the leg section is adjusted, depending on whether or not the leg section ratchet is set.

Knee break height/angle adjustment:



Leg section height adjustment:



To set the bed so that the leg section is raised:

- Press the knee break button on the handset and raise the knee break (height not important).
- Lift the foot section a little so that the ratchet engages.
- The leg section height adjustment will now be set.

To set the bed so that the knee break is raised:

- Press the knee break button on the handset and raise the leg section (height not important).
- Lift the foot section a little so that the ratchet disengages
- Gently lower the foot section down.
- The knee break height/angle adjustment will now be set.

7. Assembly onto the Transport Stand

Warning



- Before attempting to assemble the bed onto the transport stand ensure these instructions have been read and fully understood.
- It is advisable to assemble the bed with a second able bodied person.
- Take care when assembling the bed onto the transport stand, the sections are of considerable weight (see page 23).

Side rails

- Raise/lower the bed to approximately its mid height (see page 15 for operation of the handset).
- Remove the retaining screw from one of the channels.
- Carefully remove the lower side rail.
- Carefully remove the upper side rail.
- Remove finger assembly.
- Relocate the finger assemblies into the channel (see page 9 for assembly order).
- Re-fit the retaining screw into the channel.
- Repeat for the other side of the bed.

Electrics

- Flatten and lower the bed to its minimum height (see page 15 for operation of the handset).
- Unplug the mains cable from the mains socket.
- Using a flat bladed screwdriver remove the anti-removal clip from the control box.
- Unplug the hi/low and backrest actuator cables from the control box (see page 8).

Bed frame

- Release the brakes from the castors.
- Loosen the grub screws in the middle of the bed frame.
- Whilst supporting both halves of the bed frame, split the bed in half and gently lower onto the floor.
- Unfasten grub and dome screws from one end of the bed.
- Whilst supporting the bed end pull the platform half away and gently position both sections on the floor/against a wall.
- Repeat for the remaining half of the bed.
- With cable ties/Velcro, secure the moving parts of the backrest and leg section to the bed frame halves.

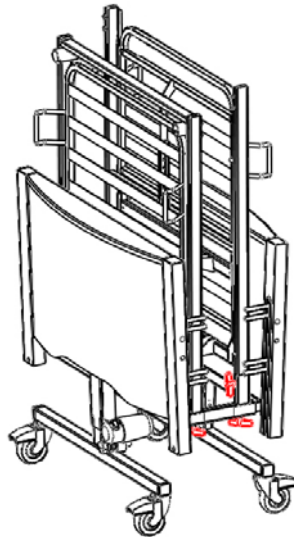
Assembling onto the stand

- Position both transport stand brackets onto one bed end, taking care to ensure the brackets are both orientated in the same direction.
- **Tighten both hand wheels on each side.**
- Insert opposite bed end onto both transport stand brackets.
- **Tighten both hand wheels on each side.**
- Lock the castors.
- Loosen the hand-wheel on the vertical tube on the transport stand.
- Carefully lift the backrest section and lower the spigots into the open tubes, ensuring the electrics are facing inwards.
- **Tighten the hand-wheel on the transport stand.**
- Carefully lift the leg section and lower the open end onto the vertical bars, ensuring the electrics are facing inwards (refer to the diagram below for orientation of platform halves).
- **Tighten the grub screws on the leg section frame.**
- Ensure all cabling is neatly wrapped around the relevant bed sections and is not dragging on the floor or is under excess tension.



Warning

The bed must never be moved on the transport stand with the hand wheels loose/missing or the grub screws loose/missing.



8. Power Failures

The bed does not have battery backup functionality. In the event of a power failure the bed will not function, resulting in the backrest and/or knee break remaining up, if previously raised.

The backrest and knee break are operated via two individual actuators that are located underneath the mattress platform.

- If either the backrest or knee break is raised, locate the actuator supporting the relevant section.
- Hold/support the section.
- Remove the pins that hold the actuator in place.
- Gently lower the section(s) to the flattened position.

Warning



- It is recommended that 2 carers support the section prior to removing the pin.
- When the pins are removed there is nothing supporting the section, the carer(s) holding the frame must be ready to support the weight on removal of the pin.

9. Decontamination

Infection control and routine cleaning must be carried out in accordance with your local Infection control policy or regulatory body.



Warning

Always disconnect the bed from the main power supply prior to cleaning.

It is advisable to remove any accessories that are fastened to the bed.

These instructions apply to all accessories apart from soft products (e.g. mattresses).

- All surfaces to be wiped down with a disposable soft cloth moistened with a mild detergent and diluted in warm water (40°C).
- The bed should be cleaned by starting with the cleanest parts of the bed and systematically moving to the dirtiest parts. Extra care should be taken around areas where excess dirt or dust may gather.
- The cloth should be changed during the cleaning process if it becomes soiled.
- Rinse down with clean water to remove detergent residue.
- Wipe surfaces down with 1,000 parts per million chlorine solution (0.1%)
- Dry off with a paper towel.
- Always ensure the cleaned parts are allowed to dry before putting the mattress back in place.

Note: If any of the 3 stages stated above (detergent, rinse down & chlorine solution) are omitted or combined it will reduce the effectiveness of the clean.

In cases of blood spills or other bodily fluids it is recommended that a chlorine solution of 10,000 parts per million (1%) is used instead.

Note: The use of neat bleach or similar surface cleaners are not recommended as damage may be caused to the cleaned surfaces.

Alternatively:

Sidhil recommend the use of Chlor-clean tablets. Follow the manufacturer's instructions for concentration guidelines and instructions for use.

Refer to the Sidhil infection control policy, copies are available from Sidhil Ltd. Contact details can be found on the back of this booklet.

10. Maintenance

Only authorised service personnel or Sidhil service engineers should carry out repairs or service activities. Failure to do so may result in the manufacturer's warranty becoming void. **The bed must be serviced once yearly, as a minimum.** Sidhil also recommends that the carer performs frequent visual and operational inspections. If there are any signs of damage or the bed is not performing as it should withdraw it from service until the bed has been repaired and is fit for use again.

Periodically check to ensure that:

- The bed operates as per its intended purpose.
- All parts are present.
- All fixtures and fittings are tight.
- The frame is mechanically sound.
- No parts show signs of excessive wear.
- The bed is cleaned following the guidelines in this user guide.

Disposal of components must comply with local policy.

10.1 Fault finding

Listed below are a set of electrical faults that may occur within the service life of the bed. If a fault does occur please try the following suggestions, as these may help in diagnosing the fault.

Fault	Possible Cause	Remedy
Electrical function(s) do not work	Functions locked out on handset	Unlock function(s)
	Mains lead not plugged into the control box or wall	Check to see if the 'power on' light on the handset is lit and the mains lead is plugged in at both ends
	Fuse has blown in the mains plug	Check to see if the 'power on' light on the handset is lit, if not replace fuse
	Actuator/handset leads not plugged in	Check plug connections on the control box
	Damage to mains cable, actuator cable or handset cables	Turn off at the mains and contact the approved service engineer
	Heavy load on the bed and the duty cycle has been exceeded	Remove load and allow control box to cool before re-operating
Electrical functions working slowly	Heavy load on the bed	Remove load

10.2 General maintenance

Sidhil recommend that the following maintenance procedure is performed every 12 months.



Warning

Always disconnect the bed from the main power supply prior to performing any maintenance procedures.

- Check that all electrical functions operate correctly on the handset.
- Check that all electrical cables are in good condition.
- Check that the mains cable and plug are in good condition, if either is damaged it must be replaced as a complete assembly, the plug must never be re-wired.
- Check that all nuts, bolts and fasteners are tight and that none are missing or incomplete.
- Check that all grub screws and hand-wheels are present.
- Check that both the knee break and leg rest functions work correctly.
- Check the castors lock/unlock correctly and that when locked the castor does not move.
- Check that the frame is mechanically sound.
- Raise and lower the safety sides. Check that they move smoothly.
- Check that the lock on the safety sides automatically engages when raised.


For more detailed service information please contact Sidhil Ltd.

11. Specification

11.1 Bed data

	Bradshaw Standard	Bradshaw Low	Bradshaw Bariatric	
Overall length	2245mm	2245mm	2245mm	
Overall width	1050mm	1050mm	1350mm	
Mattress platform height	390mm – 790mm	195mm – 595mm	245mm – 615mm	
Under bed clearance (to underside of frame)	356mm	155mm	194mm	
Under bed clearance (to underside of actuator)	195mm	35mm	80mm	
Mattress platform length	2015mm	2015mm	2020mm	
Mattress platform width	900mm	900mm	1200mm	
Head down tilt	0 - 11°	0 - 11°	0 - 11°	
Foot down tilt	0 - 11°	0 - 11°	0 - 11°	
Safe Working Load	215 Kg (34 stone)	215 Kg (34 stone)	368 Kg (58 stone)	
Maximum User Weight	180 Kg (28 stone)	180 Kg (28 stone)	318 Kg (50 stone)	
Part Weights	Leg rest platform	19.5 Kg	19.5 Kg	31 Kg
	Back rest platform	17.5 Kg	17.5 Kg	36.5 Kg
	Head end	21.5 Kg	22 Kg	47.5 Kg
	Foot end	21.5 Kg	22 Kg	47.5 Kg
Mattress Sizes	Length	2000mm - Maximum	2000mm - Maximum	2000mm - Maximum
	Width	864mm – Recommended 880 mm - Maximum	864mm – Recommended 880 mm - Maximum	1170mm – Maximum
	Thickness	See page 13		

11.2 Electrical data

Voltage in	100 - 240V AC ±10%, 50/60Hz
Current in	Max 3,15 amp
Duty rating	Intermittent 10% 2 minutes of continuous use followed by 18 minutes not in use.
Safety standards	BS EN 60601-1: 2006 BS EN 60601-2-52:2010
EMC	BS EN 60601-1-2:2002
Electrical shock protection	
Liquid ingress protection	IP44
The electrical system is only suitable for use when:	
Ambient temperature	+5° to +40°C
Humidity	20% - 90% at 30°C

12. Accessories

1275/LP :-

Lifting pole with ergonomic plastic grab handle

1214/GRAB :-

Elland grab rail, fits along the side tube of the mattress platform

1275/EX :-

(std. and low) Mattress platform extension kit

1275/BAR/EX :-

Bariatric extension kit

1369 :-

Cromer cantilever (bed cradle)

1275/5 :-

Side rail height extension (pair)

1316/PS/75/HI/CREAM :-

Bariatric high side rail pads

1316/PS/74/CREAM :-

Side rail pads

1275/PS :-

Side rail mesh pads

1275/EPS :-

Bradshaw mesh cradle

MAT/FALL :-

Crash mat (premium)

MAT/FALL/BAS :-

Crash mat (basic)

1275/HF/PAD :-

(std. and low only) Head and foot board covers

13. Warranty

Sidhil Ltd guarantees this product is free from defects in material and workmanship under normal use for 3 years (1 year full parts and labour, 2 further years parts only) from the date of purchase from Sidhil Ltd and its subsidiary companies or its authorised dealers. All implied warranties, including but not limited to those implied warranties of fitness and merchantability, are limited in the total duration of 3 years from date of purchase. Proof of purchase must be presented with any claim. Except as provided herein, Sidhil Ltd, product warranty does not cover damage caused by misuse or abuse, accident, the attachment of any unauthorised accessory, alteration to the product, or any other conditions whatsoever that are beyond the control of Sidhil Ltd. Sidhil Ltd and its subsidiary companies shall have no liability or responsibility to customer or any other person or entity with respect to any liability, loss or damage caused direct or indirectly by use or performance of the product or arising out of any breach of this warranty, including but not limited to any damages resulting from inconvenience, loss of time, property, revenue, or profit or any indirect, special, incidental or consequential damages, even if Sidhil Ltd or their subsidiary companies or authorised dealers has been advised of the possibility of such damages.

In the event of a product defect during the warranty period you should contact Sidhil Ltd or their authorised dealer who will at its option unless otherwise provided by law; a) correct the defect by product repair without charge for parts and labour b) replace the product with one of the same or similar design or c) refund the purchase price. All replaced parts and products on which refund is made become the property of Sidhil Ltd. New or reconditioned parts and products may be used in the performance of warranty service. Repaired or replaced parts and products are warranted for the remainder of the original warranty period. You will be charged for repair or replacement of the product made after the expiration of the warranty period.

This warranty does not cover; a) damage or failure by or attributes to acts of God, abuse, accident, misuse, improper or abnormal usage, failure to follow instructions, improper installation or maintenance, alterations, lightning or other incidence of excess voltage or current, b) any repairs other than those provided by a Sidhil Ltd authorised technician, c) consumables such as fuses, d) cosmetic damage, e) transportation, shipping or insurance costs or f) costs of product removal, installation setup service adjustment or re-installation.

This limited 3 year warranty gives you specific legal rights and you may also have other rights.

Sidhil Ltd cannot be held responsible for any injury or incident which relates to the use of this bed in conjunction with accessories manufactured by companies other than Sidhil Ltd.

All products carry the CE mark in accordance with EC Directive on Medical Devices (93/42/EEC).

Sidhil has a policy of continual product improvement and reserves the right to amend specifications covered in this brochure.

No part of this brochure may be reproduced without the written approval of Sidhil Ltd.



CONTACT INFORMATION

Tel: 01422 233000 Fax: 01422 233010

Email: sales@sidhil.com www.sidhil.com

Sidhil Business Park, Holmfield, Halifax, HX2 9TN

A member of the Siddall & Hilton Ltd. Group of Companies



Certificate No. FM14550

INSTRUC/1275, 07/01/13, Rev 7