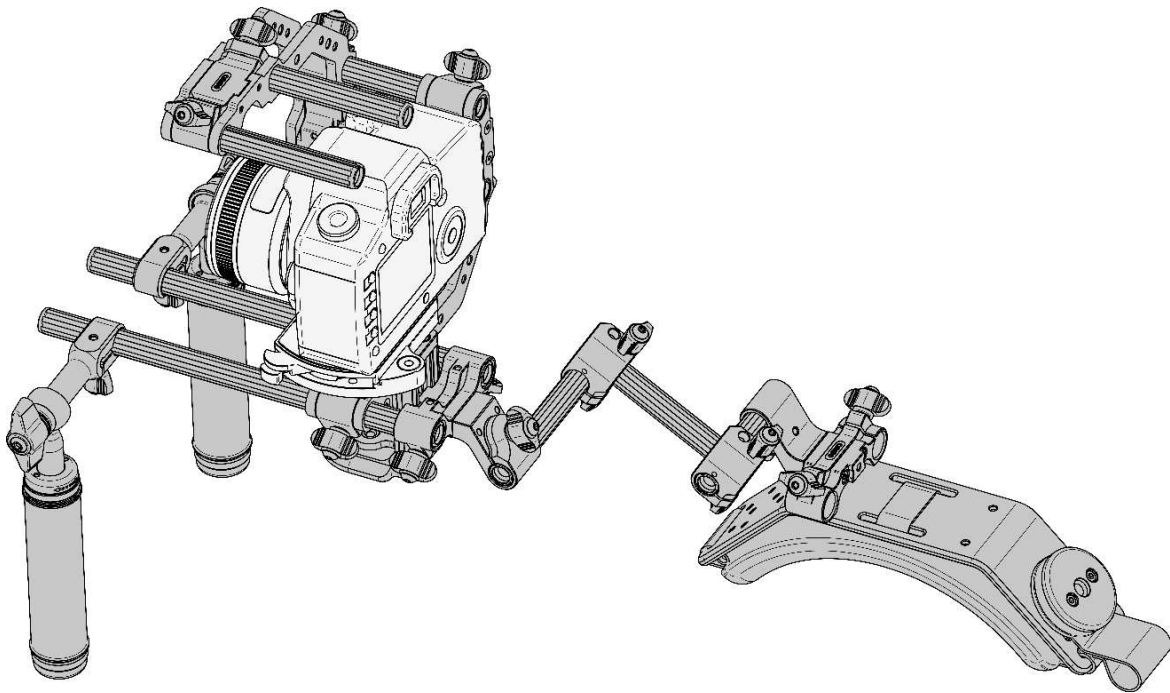


# CAMBO CS-CHRONOS

HDSLR/DV SUPPORT SYSTEMS



## INSTRUCTION MANUAL EN

Please read this manual carefully before using the Cambo CS rig!

## Thank you for purchasing a Cambo product

The Cambo CS system complies with the “Arriflex® 15mm Light Weight” standard. This means the CS system is compatible with parts of other brands using the 15mm light weight standard. The 15mm light weight standard characteristics are: 15mm iris rods that are positioned 60mm apart and 85mm below the optical axis.

The Cambo CS Chronos camera support is a fully adjustable. The offset of the HD SLR is adjustable in the x, y and z axis. This provides an optimal viewing position, whether you use a loupe or a direct view on the HD SLR monitor.

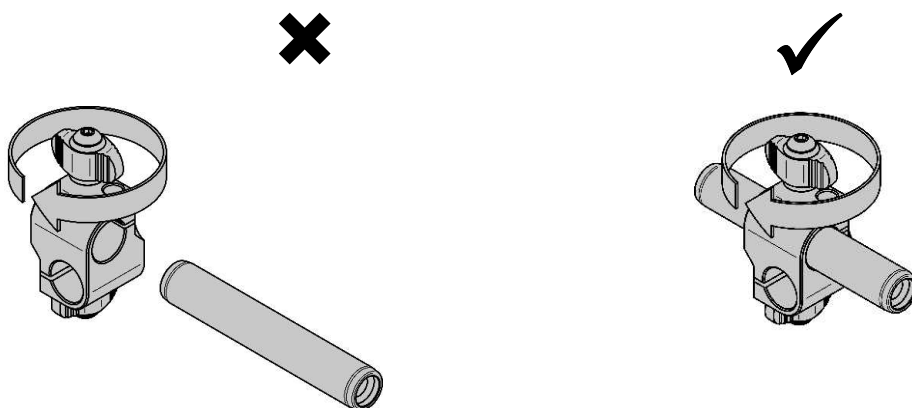
The Chronos features the telescopic CS-H2 handle grips, giving the user full control over the positioning of the grips.

Due to the modular character of the Cambo rig system, the user is fully in charge of customizing the rig to his or her personal preferences.

The Chronos-Rig can be used with any follow-focus and/or matte box, this rig configuration centers the weight of the rig on the handle axis.

## Warnings

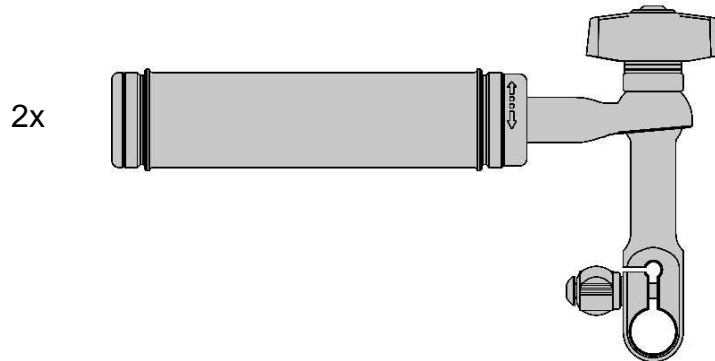
- ✘ Before loosening a clamp knob, ensure that the loosened part of the rig is supported.
- ✘ Do not tighten the clamp without a rod inserted. This can deform and damage the clamp.



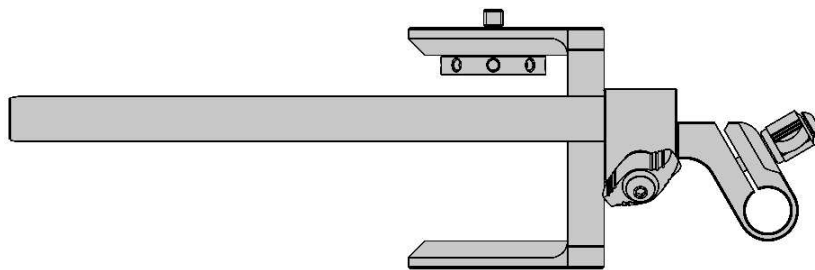
- ✘ Always check, after (re)assembly of the rig, if the clamps connecting the rods are well tightened.
- ✘ Do not lift the rig while holding only one handle. This could lead to excessive force momentum on the handle joint, causing it to shift.

## Item check list

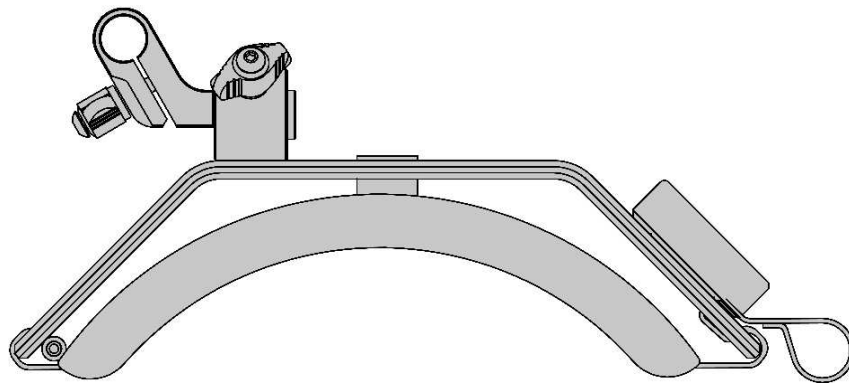
Before starting, please check if all items are included in your package. If anything is missing, contact your dealer.



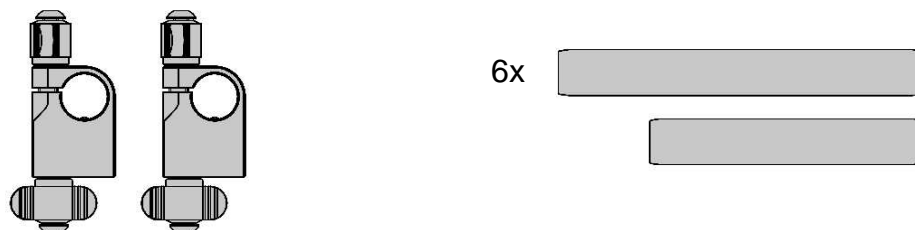
CS-H2 grip handle telescopic (2x)



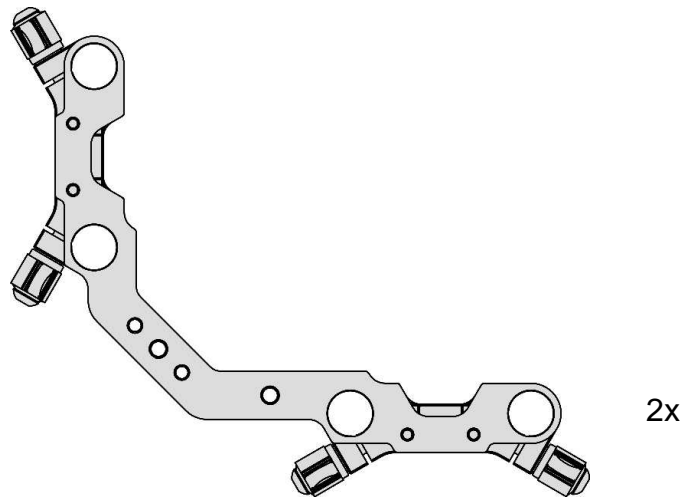
CS-1522 iris rods 220mm (2x), CS-M1 camera/tripod mount (1x), CS-153 triple clamp (1x)



CS-P1 ergonomic pad (1x), CS-153 triple clamp (1x)

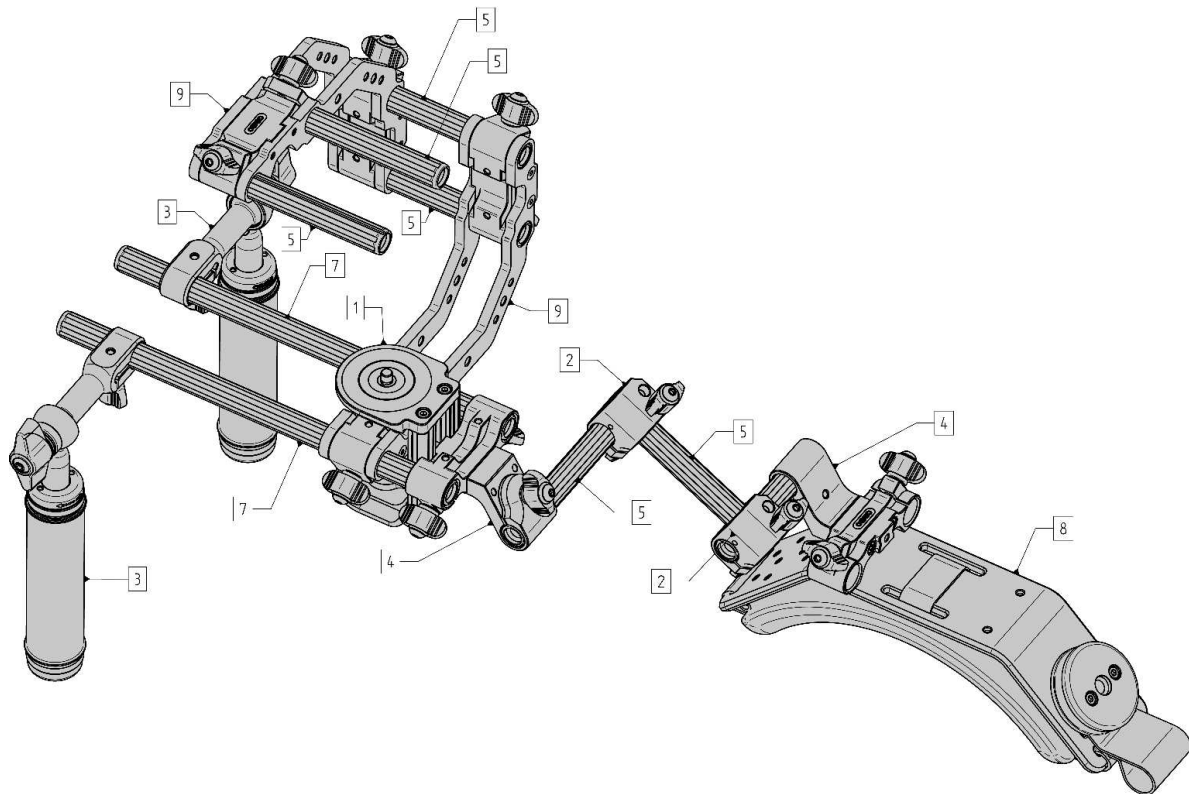


CS-1512 iris rod 120mm (6x), CS-1509 iris rod 90mm (1x), CS-151 perpendicular clamp (2x)



CS-154 quad parallel 15mm rod clamp (2x)

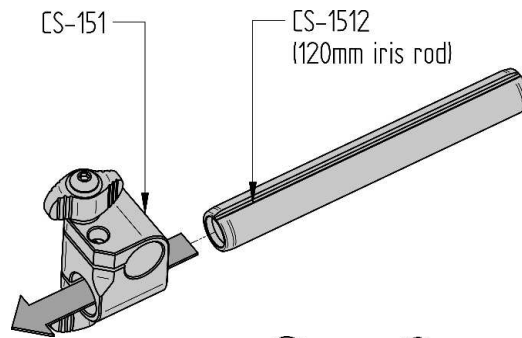
## Overview CS-Chronos rig



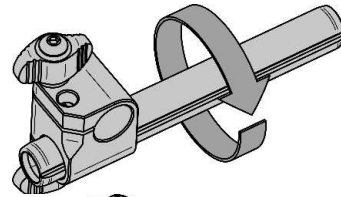
- |   |         |                              |
|---|---------|------------------------------|
| 1 | CS-M1   | Camera/tripod mount          |
| 2 | CS-151  | Perpendicular 15mm rod clamp |
| 3 | CS-H2   | Telescopic handle            |
| 4 | CS-153  | Triple 15mm rod clamp        |
| 5 | CS-1512 | Iris rod 120mm               |
| 6 | CS-1509 | Iris rod 90mm                |
| 7 | CS-1522 | Iris rod 220mm               |
| 8 | CS-P1   | Ergonomic shoulder pad       |
| 9 | CS-154  | Quad parallel 15mm rod clamp |

## Assembly of the CS-Chronos rig

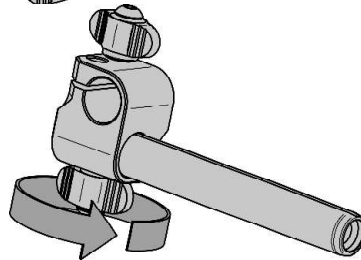
Insert the CS-1512 rod into the CS-151 clamp.



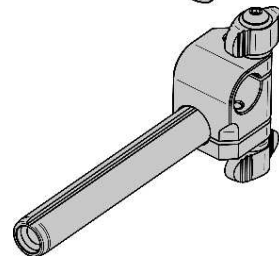
Twist the rod until you feel it snap into the preset position.



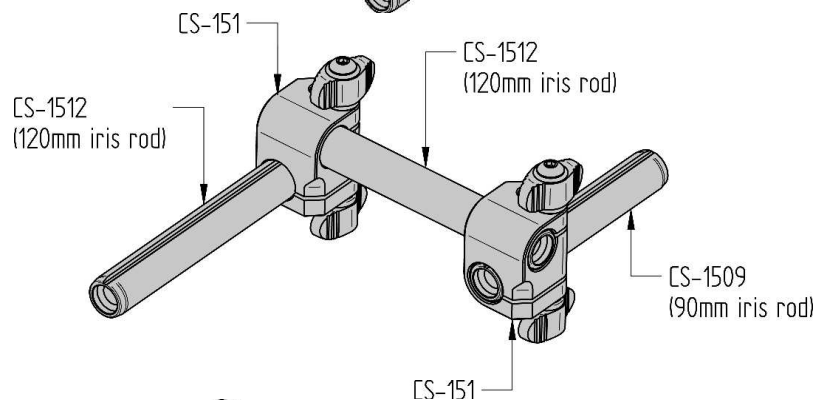
Tighten the related clamp knob to fix the position of the iris rod.



Position the rod/clamp assembly as shown in the picture.

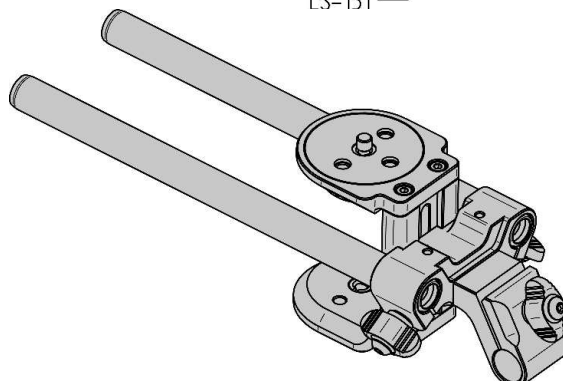


Insert the other CS-1512 in to the CS-151 clamp, rotate the rod until the snap, then tighten the related clamp knob. The other CS-151 clamp and CS-1590 are assembled in the same order. This picture show's the assembly of the middle part of the rig.



Its advisable to use a tripod for the assembly of the CS-Chronos rig.

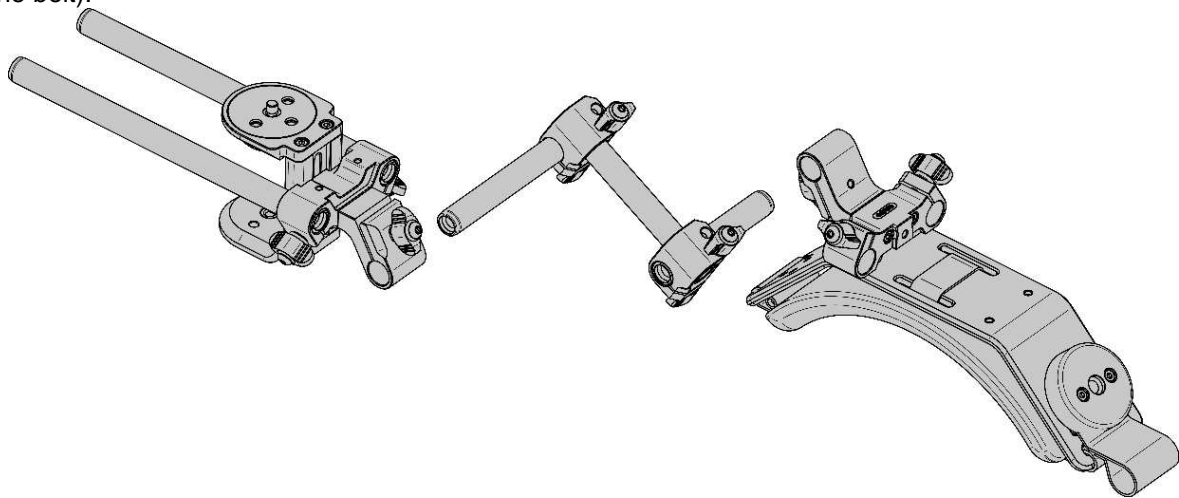
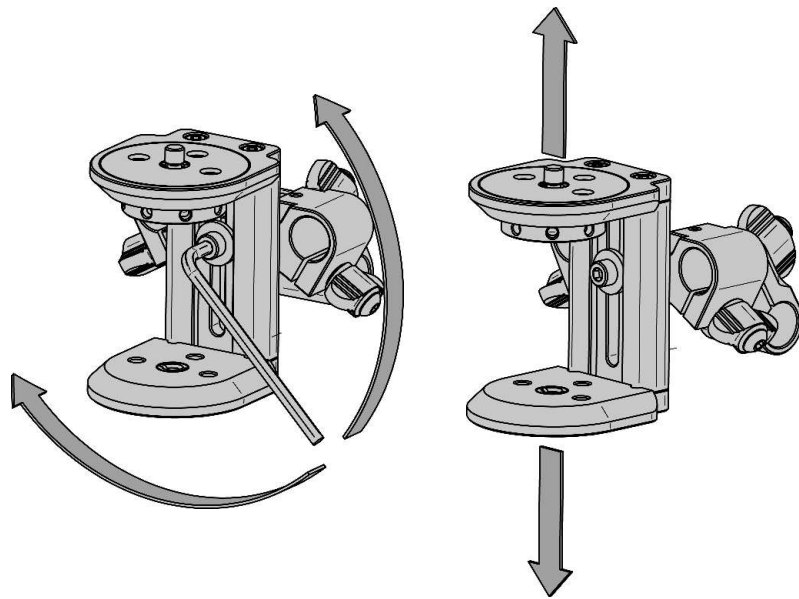
Its also advisable to use quick-release plates for the connection between the rig and camera and between rig and tripod. This ensures a fast decoupling of both rig and camera.



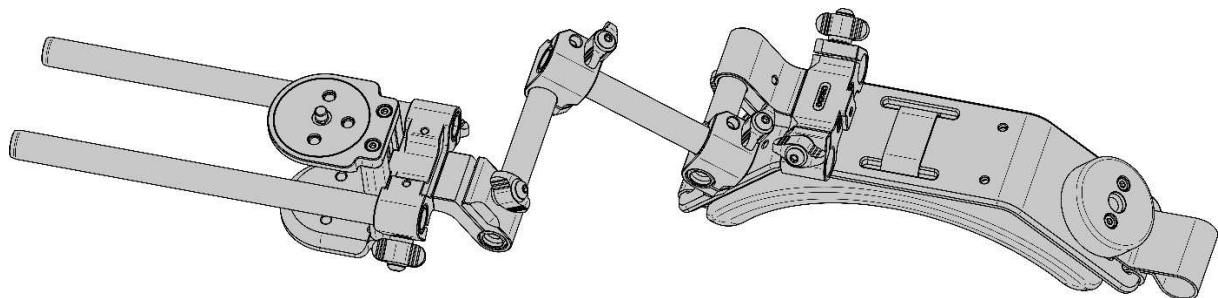
The "15mm Arriflex LW" standard, indicates a distance of 85mm between the optical axis and the axis of the rods.

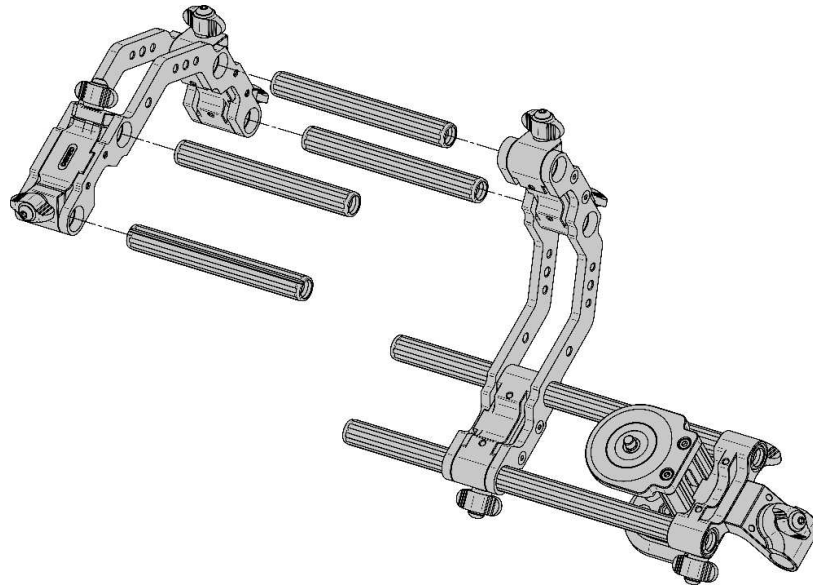
Due to the variation in camera bodies and quick-release plates the distance between the camera and rods is adjustable.

Use a hex-key 4mm to loosen the socket bolt, by turning it counter clockwise. Set the distance between camera and rods to the appropriate value, fasten the CS-M1 mount by turning the hex-key clockwise (do not over tighten the bolt).

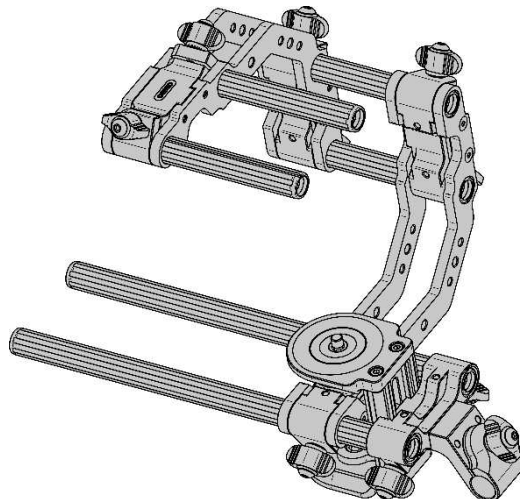


Please assemble the front, middle and back part of the rig according the picture above.

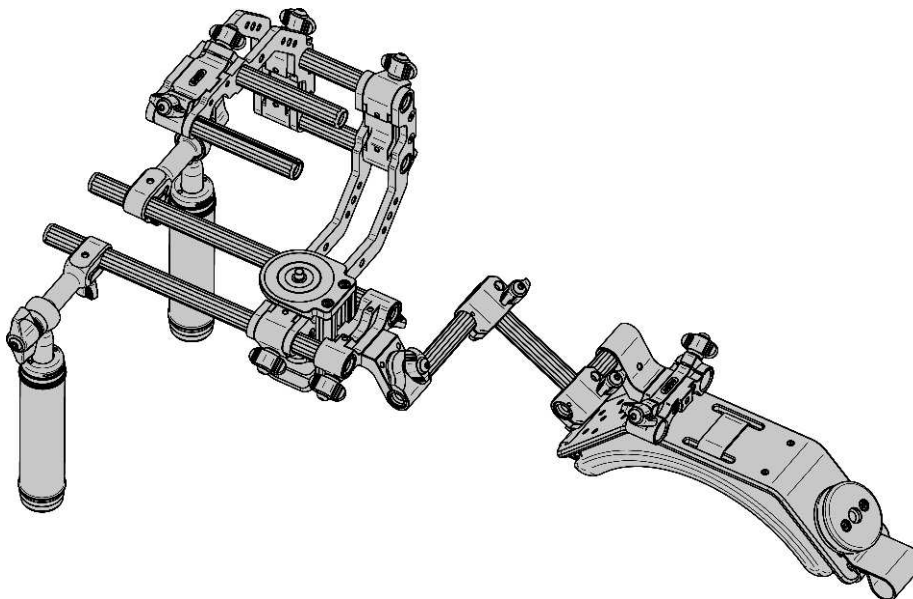




Please assemble the two CS-154 brackets by placing the CS-152 rods. First place the rods into the CS-154 brackets, when all the rods are placed and when the two CS-154 brackets are parallel, please tighten the screws of the CS-154 brackets.



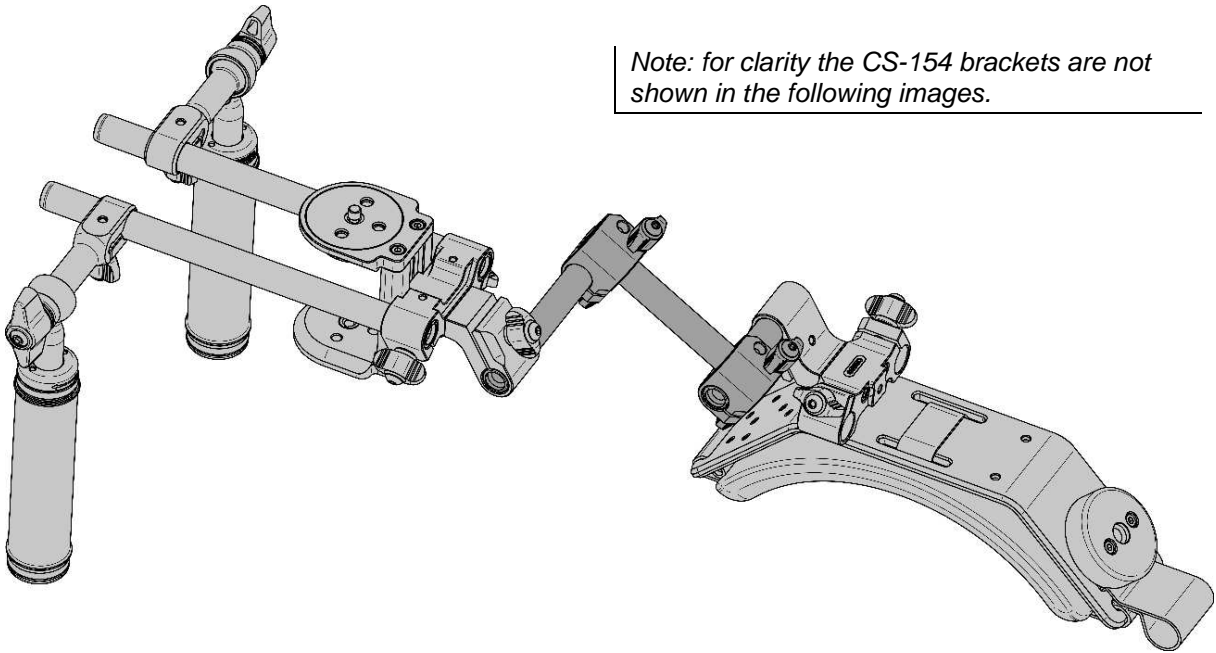
Please assemble the two CS-H2 handles.



The assembly of the CS Chronos rig is now complete.

## CS-Chronos rig adjustments

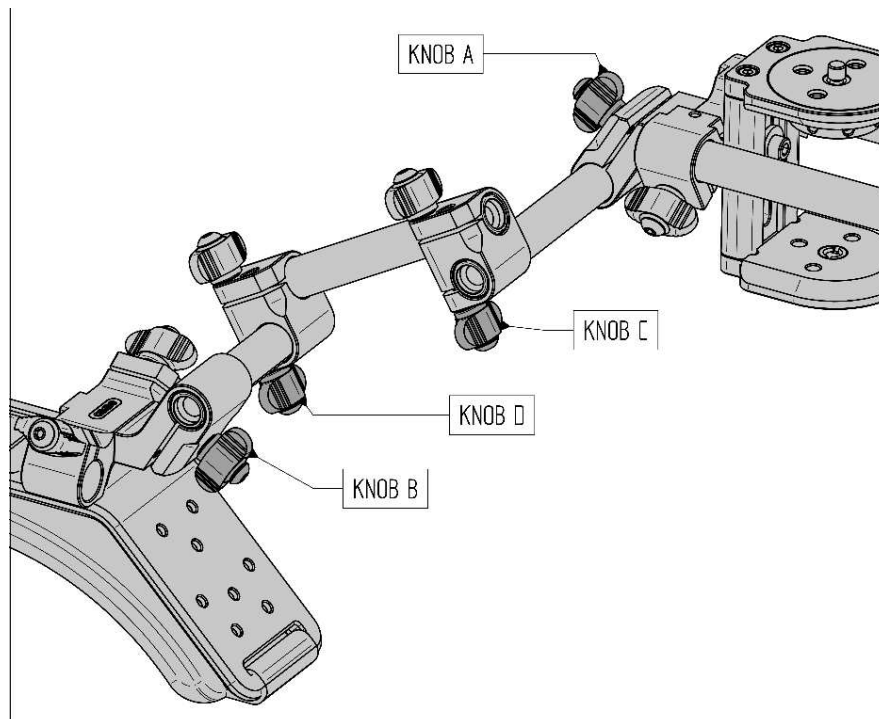
*Note: for clarity the CS-154 brackets are not shown in the following images.*



The position of the front assembly (camera) in relation to the back assembly (shoulder pad) can be adjusted in the x, y and z direction and axis.

The CS Chronos also features a memory setting to ensure a reproduction of the ideal user settings.

Before adjusting the middle assembly (indicated dark grey in the picture above), please ensure that the rods are set into the snapped position of the CS-151 clamps (explained at page 4).



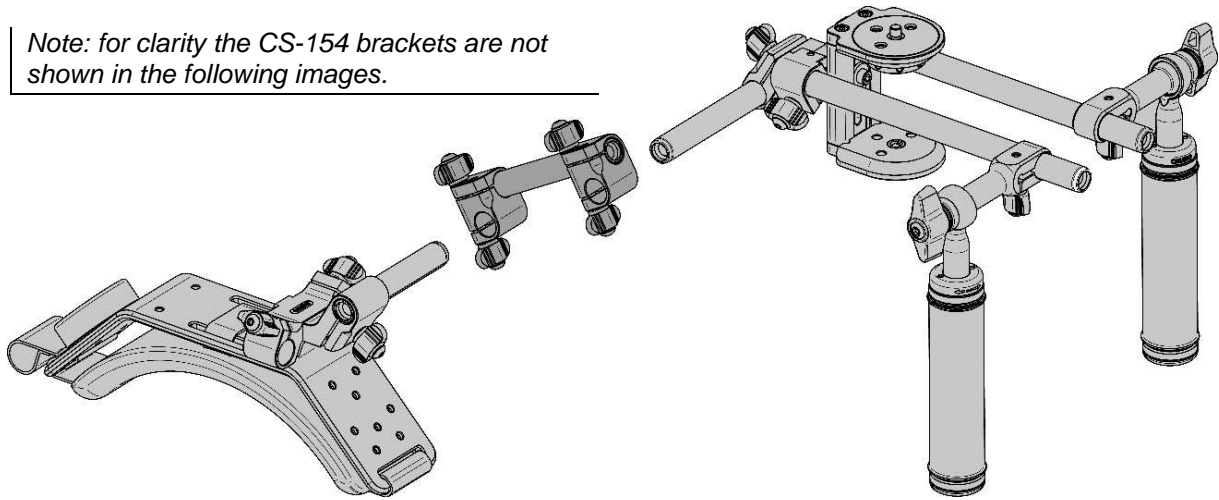
Loosen knob A (counter clockwise) and adjust the desired angle of the front assembly in relation to the middle and back assembly, when the desired angle is set fasten knob A (clockwise).

Loosen knob B (counter clockwise) and adjust the desired angle of the back assembly in relation to the middle and front assembly, when the desired angle is set fasten knob B (clockwise).

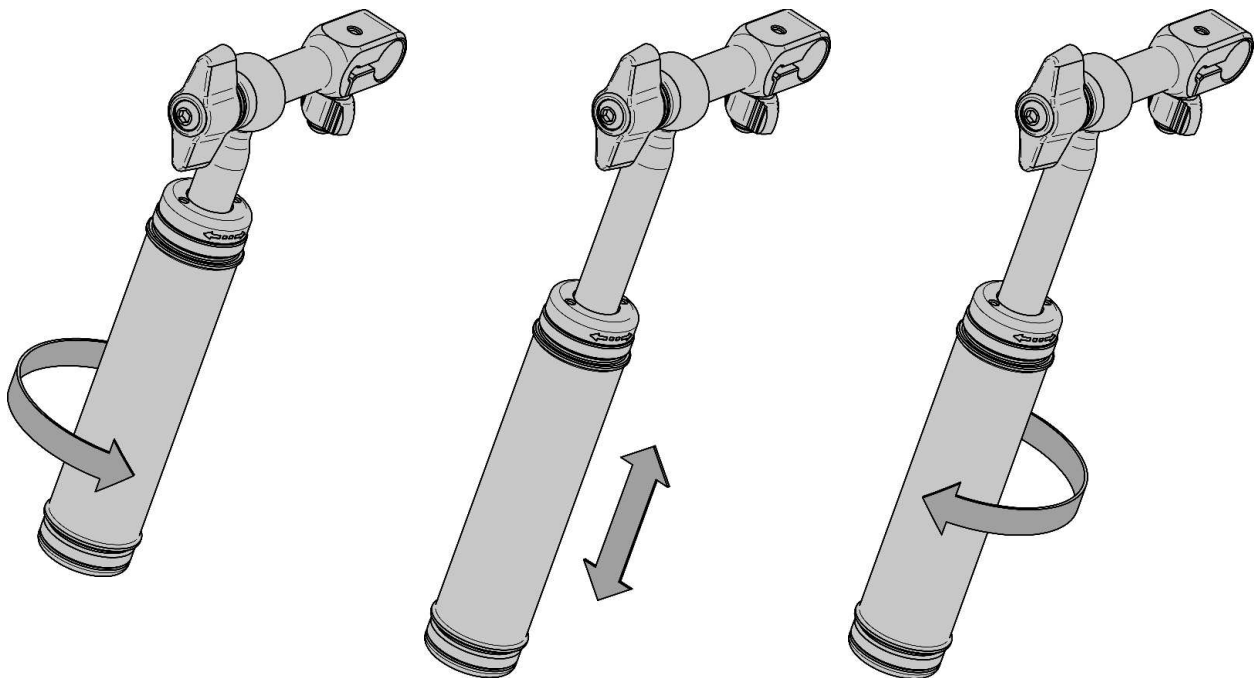


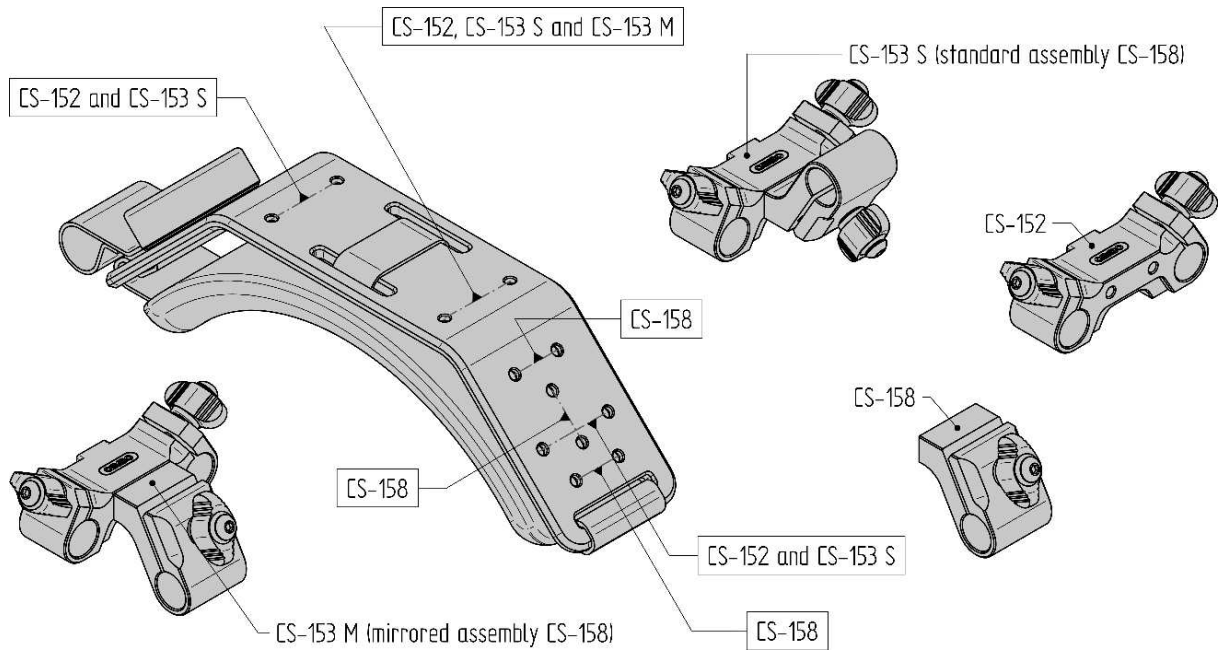
When you want to split up the rig for transport, you leave knob A and B fixed and you loosen knob D and slide of the back assembly, after this you loosen knob C and slide of the middle assembly. The rods still connected to the front and back assembly now feature the custom angle setting. To reassemble the rig use the snapping of the CS-151 clamp to reproduce the custom angle setting.

*Note: for clarity the CS-154 brackets are not shown in the following images.*



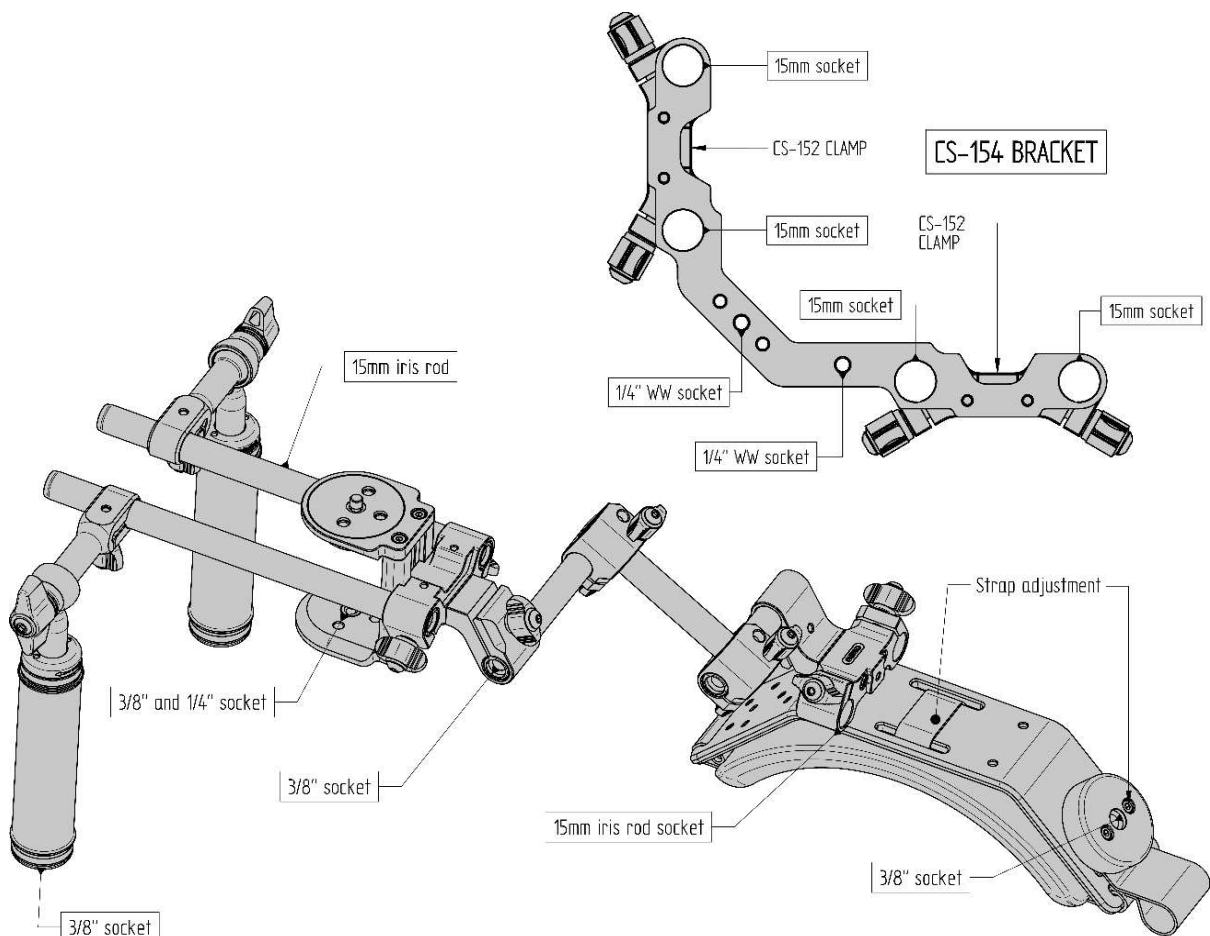
The CS-H2 handles can be adjusted in length. The handle is either locked clockwise or counter clockwise. In the example picture below its locked counter clockwise, twist the handle clockwise until you feel that the handle is unlocked, then slide the handle to desired length and twist the handle counter clockwise to lock (of course its also possible to twist the handle clockwise to lock it again).





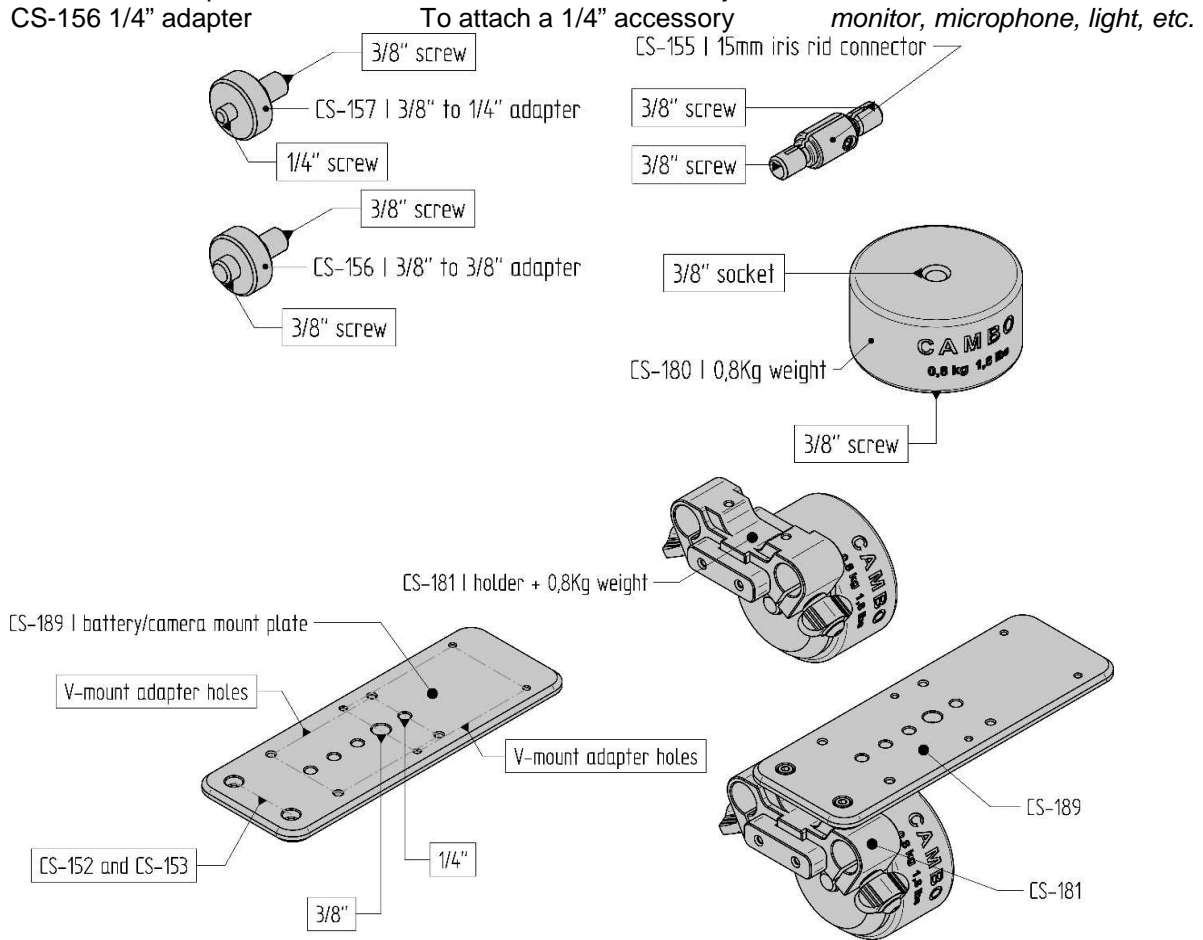
The image above shows the different mounting options of the CS-P1 shoulder pad. The CS-152/153 and the CS-158 can be mounted directly to the CS-P1 shoulder pad.

## Cambo CS system accessories

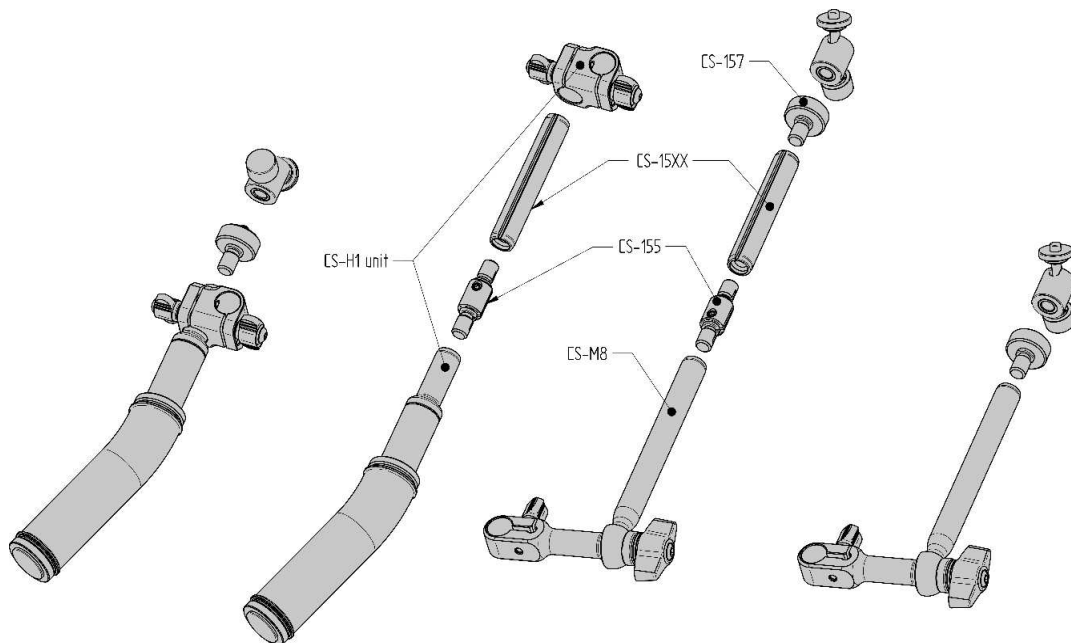


The CS-15XX iris rods and the CS-H2 handle feature a 3/8" socket which can be used for mounting attachments.

Name	Function
CS-155 iris rod connector	To couple two CS-15XX iris rods
CS-156 3/8" adapter	To attach a 3/8" accessory
CS-156 1/4" adapter	To attach a 1/4" accessory



The CS-181 unit can be used to adjust the weight distribution of the CS-rig.



The CS-M8 is a separate monitor/microphone/light stand which couples to the 15mm iris rod. The CS-H1 handle can be extended using a CS-155 connector and a CS-15XX iris rod.

# Cambo CS system

## 15mm CS rig assemblies

---

CS-Cilix	HDSLR Support Two Grip Handheld
CS-Styx	HDSLR/DV Shoulder Mount
CS-Cirus	HDSLR OFFSET RIG
CS-Eris	HDSLR Support Fully Adjustable
CS-Chronos	HDSLR Cinema Rig Professional

## 15mm iris rod clamp units

CS-151	Rod Clamp 15mm Perpendicular
CS-152	Rod Clamp 15mm Dual Parallel
CS-153	Rod Clamp 15mm Triple Dual/Perpendicular
CS-154	Rod Clamp 15mm Bracket Quad Parallel
CS-158	Rod Clamp 15mm Single (Connects to the CS-152 and CS-P1)

## Camera/tripod mount units

---

CS-M0	Compact Camera/Accessory Mount
CS-M1	Compact Camera/Tripod Mount
CS-M2	DV Camera/Tripod Mount One Column Base
CS-M4	DV Camera/Tripod Mount Two Column Base
CS-M8	Monitor/Microphone Support
CS-394	Quick Release Mount Manfrotto 394 RC4 Low Profile

## Handle units

---

CS-H1	Grip Handle Compact (Includes the CS-151)
CS-H2	Grip Handle Telescopic

## Shoulder support units

---

CS-P1	Shoulder Pad Ergonomic Adjustable
-------	-----------------------------------

## Weight/battery units

---

CS-180	0.8Kg/1,8Lbs Weight with 3/8" mount connections
CS-181	Weight Holder Including 1x 0.8Kg/1,8Lbs weights
CS-182	Weight Holder Including 2x 0.8Kg/1,8Lbs weights
CS-189	Battery/Camera Mount Plate (Connects to the CS-152 and CS-153)

## 15mm Rod Connector and Adapters

---

CS-155	Cambo Iris Rod Connector
CS-156	Cambo Iris Rod to 3/8" Adapter
CS-157	Cambo Iris Rod to 1/4" Adapter
HDRB	Heavy Duty Stainless Steel Reducer Bushing 3/8" to 1/4"

## 15mm iris rods

---

CS-1509	Iris Rod 90mm / 3.5"
CS-1512	Iris Rod 120mm / 5"
CS-1522	Iris Rod 220mm / 9"
CS-1530	Iris Rod 300mm / 12"
CS-1536	Iris Rod 380mm / 15"
CS-1546	Iris Rod 460mm / 18"

## Matte-box units

---

CSM-100	Matte-box Flexible Hood
CSM-210	Matte-box Kit, two filter holder, one rotating

## Follow-focus units

---

CSMFC-1	Follow Focus Kit Universal
---------	----------------------------

## Viewer-loupe units

---

CS-30	3" Monitor Viewing Loupe 3.0x Magnification
-------	---

**Cambo Photographic Industry B.V. / Cambo Video and Broadcast Products B.V. Cambo R&D 01 November 2010**

This instruction manual is prepared with care, although no responsibility, financial or otherwise, is accepted for any consequences related the information stated in this instruction manual. All specifications in this instruction manual are subject to change without notice.

For more information please visit the Cambo web site: [www.cambo.com](http://www.cambo.com)