



User Manual PZ 125E

S-334

Tip/Tilt Mirror

Release 1.10



Product Description and Operating Notes

This Document is valid for the following Products:

S-334.2SL Piezo Tip/Tilt Mirror, ± 25 mrad, Closed-Loop

Release: 1.10
Release Date: 2003-06-05

Table of Contents :

0. Manufacturer Declarations	2
0.1. Quality and Warranty Clauses	2
0.2. Safety Precautions	2
1. Introduction.....	3
1.1. Features	3
1.2. Design	3
2. Quick Start	4
3. Working Principle	4
3.1. Position Sensors.....	4
3.2. Operating Voltages.....	5
3.3. Motion Polarities	5
4. Drive Electronics	6
5. Dynamic Behavior	7
6. S-334.2SL Technical Data	8
6.1. Specifications	8
6.2. Connectors	8
6.3. Dimensions.....	9

© Copyright 2003 by Physik Instrumente (PI) GmbH & Co. KG

Release: 1.10

File:S-334UserPZ125E110.doc, 145920 Bytes

0. Manufacturer Declarations

0.1. Quality and Warranty Clauses

Certification

Physik Instrumente (PI) certifies that this product met its published specifications at the time of shipment.

Warranty

This PI product is warranted against defects in materials and workmanship for a period of one year from date of shipment. Duration and conditions of warranty for this product may be superseded when the product is integrated into (becomes a part of) other PI products. During the warranty period, PI will, at its option, either repair or replace products which prove to be defective.

Limitation of Warranty

The foregoing warranty shall not apply to defects resulting from improper or inadequate maintenance by the Buyer, Buyer supplied products or interfacing, unauthorised modification or misuse, operation outside of the environmental specifications for the product, or improper site preparation or maintenance.

The design and connection of any circuitry to this product is the sole responsibility of the Buyer. PI does not warrant the Buyer's circuitry or malfunctions of PI products that result from the Buyer's circuitry. In addition, PI does not warrant any damage that occurs as a result of the Buyer's circuit or any defects that result from Buyer-supplied products.

No other warranty is expressed or implied. Physik Instrumente specifically disclaims the implied warranties of merchantability and fitness for a particular purpose.

0.2. Safety Precautions

Warning

To avoid irreparable damage, S-334 Tip/Tilt Mirrors should never be operated in open-loop (servo OFF) mode or be subjected to frequencies above 200 Hz (300 Hz for small-signal frequencies).

Warning

Handle the factory installed mirror with care. Never try to remove the mirror.

1. Introduction

The S-334.2SL tip/tilt mirror is an active tip/tilt platform system based on the differential-piezo-drive design incorporating two pairs of LVPZT (low voltage piezoelectric translator) actuators. The tip/tilt platform is equipped with a factory installed mirror 10 mm in diameter and 2 mm thick (flatness $\lambda/5$, reflectivity $> 98\%$ from 500 nm to 2 μm). Custom coatings and mirrors up to 12.5 mm diameter are available on request.

It is designed for fast and precise laser beam steering in two orthogonal axes and for stabilizing and correcting optical axes or paths. The tip/tilt range is ± 25 mrad with sub- μrad resolution.

1.1. Features

- Tilt Range up to ± 25 mrad ($\pm 1.5^\circ$) in 2 Fixed Orthogonal Axes
- 1.0 kHz Resonant Frequency with Mirror
- Closed-Loop Version
- For Mirrors up to 12.5 mm (0.5 ") Diameter
- Operating Voltage ≤ 100 V
- Sensor Configuration for Excellent Temperature Stability



Fig. 1. S-334 Tip/Tilt Mirror

1.2. Design

The S-334.2SL tip/tilt platform is mounted on four lever-amplified LVPZT stacks, located at the corners of a square. Tilting around one axis requires synchronized movement of two diagonally opposite LVPZT actuators. To ensure that one actuator will contract by exactly the same amount as the other expands, the actuator pairs are individually matched at the factory. The actuators in each pair are then connected electrically in differential push-pull mode, eliminating Z-axis freedom.

Note that with this design the pivot point is fixed and the same for both rotation axes. Whether you choose to measure the angles in vertical planes or in planes perpendicular to the platform depends on the requirements of your application.

2. Quick Start

The following instructions describe starting the S-334.2SL tip/tilt platform using PI's E-500-series control electronics (E-500 or E-501 chassis including E-503.00S amplifier module and E-509.S3 servo-control module). If you use other modules from the E-500 series the steps are the same, but the connections details may differ. In this case please consult "Drive Electronics" Section on p. 6 for further information.

1. Make sure that the control electronics is set up to start in closed-loop mode (with the mirror not connected).

See the E-500 and the E-509 User Manuals for details. If you have an E-516.i3 interface module installed, please see also the User Manual for that unit. If necessary switch on the control electronics using the power switch on the rear of the chassis without the tip/tilt mirror connected, verify that servo is ON and then switch it off again.

2. Connect the S-334.2SL tip/tilt mirror to the E-509.S3 servo-control module.

The sensor cables of the S-334, which are labeled "AXIS 1" and "AXIS 2", must be plugged into the corresponding sockets of the servo-control module (labeled "SERVO 1" and "SERVO 2").

3. Connect the S-334.2SL tip/tilt mirror to the E-503.00S amplifier module.

The supply voltage cables of the S-334.2SL are labeled "PZT CH1", "PZT CH2" and "PZT 100V". They must be plugged into the corresponding output sockets of the amplifier module.

Note: Do not mix up the cables while connecting, since the amplifier channels are connected internally so as to supply mirror channels 1 and 2 with variable drive signals, while its third PZT channel is supplied with a constant and very stable voltage of +100 volts.

Warning: Resonance Can Cause Permanent Damage

The system must never be operated close to the resonant frequency or permanent damage can result. Keep large-signal values below 200 Hz and small-signal values below 300 Hz. If you hear or see resonant behavior, switch off the unit immediately.

Never operate with servo-control OFF (open-loop) or with the sensors disconnected.

4. Switch on the control electronics.

Consult the E-500 User Manual, and, if you have an E-516 interface module installed, the E-516 E-User Manual for information on commanding the S-334 tip/tilt platform.

3. Working Principle

The PZT actuators of the S-334 tip/tilt platform in each pair are connected in differential push-pull mode: any change in the operating voltage causes one actuator of the pair to see a voltage increase, the other to see a decrease of the exact same magnitude.

3.1. Position Sensors

As a closed-loop system, the S-334.2SL is equipped with two pairs of strain gauge position feedback sensors operated in a bridge circuit for ultra-high resolution and

4. Drive Electronics

The S-334 tip/tilt platform can be controlled by electronics of the E-500 series. Amplifier and servo-control modules are always required, other modules are required as noted below:

Amplifier (choice of the following, always required):

- | | |
|-----------|---|
| E-503.00S | Amplifier module special connected for differential-drive LVPZT tip/tilt platforms; 2 channels with variable drive signals (output sockets "CH1" and "CH2") plus 100 V fixed output (output socket "CH3") |
| E-505.00 | Single Channel amplifier module, 3 modules required, "PZT CH1" must be connected to the leftmost module, "PZT CH2" to the center module and "PZT 100V" to the rightmost E-505 |

Note: On amplifiers for tip/tilt mirrors, the DC-offset potentiometer for channel 3, if present at all, is disabled and the output is clamped internally to +100 volts. The analog input of this channel is also disabled. External control voltages thus must be supplied to the CONTROL INPUT sockets of CH1 and CH2.

Controller (always required):

- | | |
|----------|--|
| E-509.S3 | Position servo-control module for SGS sensors; channel 1 and 2 (labeled "SERVO 1" and "SERVO 2") shall be used with the appropriate sensor cables, third channel (input socket "SERVO 3") is not used. |
|----------|--|

Display Module (displays position or voltage of axes, not required):

- | | |
|----------|---|
| E-515.03 | 3½-digit LED position or voltage display for each of 3 channels (channel 3 not used) |
| E-515.01 | 3½-digit LED position or voltage display, 1 channel (2 modules needed for 2-axis display) |

Computer Interface and Display Module (replaces display above, required for computer-controlled operation):

- | | |
|-----------|---|
| E-516.i3* | Computer Interface and Display Module, 3 channels, (channel 3 not used) |
|-----------|---|

*The discontinued E-515.i3 can also be used.

5. Dynamic Behavior

In addition to the amplifier, servo controller and sensor bandwidths, the maximum operating frequency of a tilt mirror depends on its mechanical resonant frequency. See "S-334.2SL Technical Data" on p. 8 for the resonant frequency of the tip/tilt platform equipped with the factory installed standard mirror (10 mm in diameter and 2 mm thick).

Warning

The system must never be operated close to the resonant frequency since permanent damage can result. Keep large-signal values below 200 Hz and small-signal values below 300 Hz. Never operate with servo-control OFF (open-loop) or with the sensors disconnected.

Increasing the effective mass of the loaded platform reduces the resonant frequency of the system. If you use the S-334 tip/tilt platform with a custom mirror, call your local PI representative for the resulting resonant frequency.

6. S-334.2SL Technical Data

6.1. Specifications

Models	S-334.2SL	Units
Active axes	2 fixed orthogonal tilt axes	
Design	Differential-piezo drive (4 LVPZT stacks)	
Tip/tilt range 0 to 100 V ¹	±25	mrad ±20%
Closed-loop tilt angle ≥	±25	mrad
Integrated feedback sensor	2 x strain gauge full bridge	
Open-loop / closed-loop resolution ² ≤	5	µrad
Closed-loop linearity (typ.)	± 0,25	%
Electrical capacitance ³	3.6 / axis	µF ±20%
Dynamic operating current coefficient (DOCC) ⁴	0.22 / axis	µA/(Hz x µrad)
Resonant frequency w/ Ø 10 x 2 mm glass mirror ⁵	1	kHz ±20%
Distance, pivot point to platform surface	approx. 2	mm
Operating temperature range ⁶	0 to 60	°C
Voltage connection	3 x Lemo fem. 2 m cable	
Sensor connection	2 x Lemo, 2 m cable	
Weight (w/o cables)	65	g ±5%
Material	Titanium	

Notes:

- ¹ Range: Operation over a -20 to +120 V range is possible if excursions to the limits are of short duration. See “Lifetime of PZTs” in the PI Catalog for more information. Special open-loop version with ± 2.5 mrad for 0-100 V is available on request.
- ² Resolution of PZT tip/tilt platforms is not limited by friction or stiction. Value is typical (RMS, 1σ) noise-equivalent motion with E-503 amplifier module.
- ³ Full-Range Repeatability: Typical values, closed-loop mode. Since repeatability is a percentage of angle traveled, repeatability is significantly better for small ranges.
- ⁴ Dynamic Operating Current Coefficient in µA per hertz and µrad. Example: Sinusoidal scan of 100 µrad at 10 Hz requires approximately 0.22 mA drive current.
- ⁵ Resonant Frequency with Mirror: This value is valid for the tip/tilt stage with factory installed standard mirror (10 mm in diameter and 2 mm thick). If you use a custom mirror (with up to 12.5 mm diameter), call your local PI representative for the resulting resonant frequency.
- ⁶ Standard range, other temperature ranges on request. Closed-loop systems are calibrated for optimum performance at room temperature. Recalibration is recommended if operation is at a significantly higher or lower temperature.

6.2. Connectors

The S-334 tip/tilt platform is equipped with cables for supply voltage and sensor signals and LEMO connectors to match the amplifier and servo controller modules.

The supply voltage cables of the S-334.2SL are labeled “PZT CH1”, “PZT CH2” and “PZT 100V”.

The sensor cables of the S-334.2SL are labeled “AXIS 1” and “AXIS 2”.

6.3. Dimensions

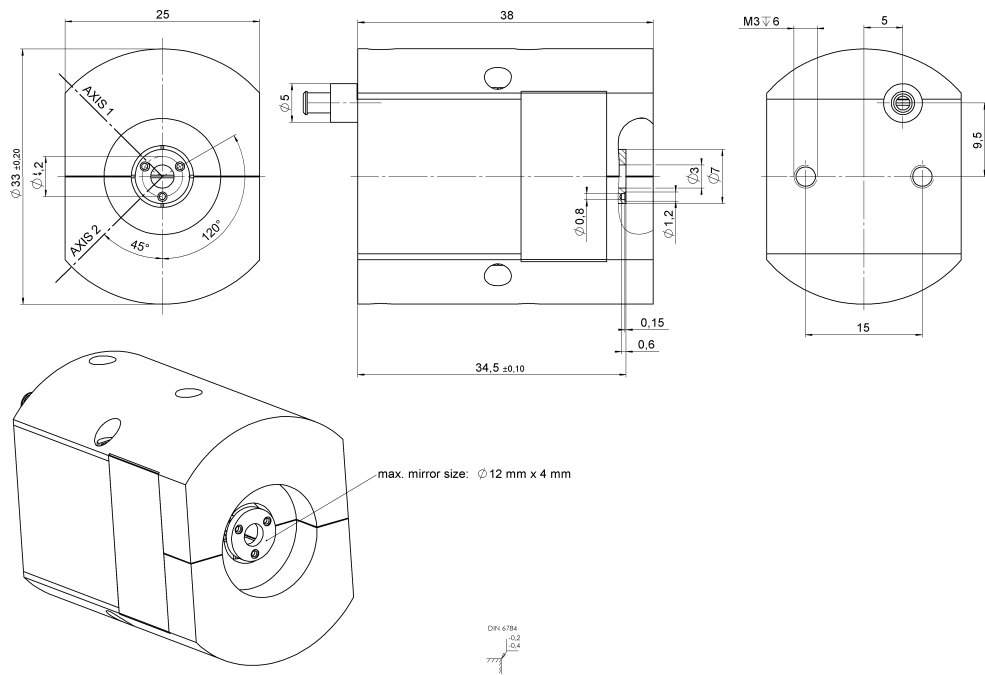


Fig. 3. S-334.2SL shown without mirror; dimensions in mm, decimal places separated by a commas in drawings

