

# User Manual

LCD monitor

Models: INX/T/F65ABHa



# Contents

Document History .....	4
Important Safety Instructions.....	5
Safety Precautions.....	5
Installation .....	6
Use .....	7
Cleaning .....	8
Warnings .....	8
Use .....	8
Exemptions .....	8
Using Touch Monitor near Light Sources.....	9
Notice.....	9
Product Features.....	10
Package Contents .....	10
Unpacking .....	10
Packing list.....	11
Included Accessories.....	12
Product Overview .....	13
Main Power Switch and AC Inlet .....	13
Power Switches.....	13
Input and Output Connectors .....	14
Operating the Monitor.....	15
Setting up the Monitor .....	15
Turning Monitor On and Off .....	16
Adjusting Volume and Input Source .....	16
Using the Keypad.....	17
Reading the Status LED.....	17
Avoiding Image Retention .....	18
Using the Remote Control .....	19
Locking the OSD (On-screen Display).....	19
Changing the Remote Control Battery.....	20
Mounting an IPC (Integrated PC).....	21
Using PIP (Picture-in-Picture) Mode.....	22
Using the Menus .....	24
Navigating through the Menu System .....	24
On-Screen Display (OSD) Overview.....	24
Image Settings Menu .....	26
Display Settings Menu.....	28
Audio Settings Menu .....	29
Basic Settings Menu .....	30
Advanced Settings Menu .....	32
Advanced Settings Menu (Optional Ethernet Control).....	34
System Status Menu.....	35
User ADC (Analog-to-Digital Converter) Calibration .....	35
WOD Mode (Wake On Digital).....	36
Default Settings.....	37
Connecting the Touch Sensor (INT65ABHa Only).....	38
Supported Operating Systems.....	38
Connecting the Touch Monitor to a Computer .....	38
Controlling One or Several Monitors using RS-232.....	39
Overview.....	39
Connecting Multiple Monitors to a Single RS-232 Controller.....	39
Supported Timings .....	40

Specifications .....	41
Troubleshooting .....	42
Dimensions (INX65ABHa and INT65ABHa).....	43
Dimensions (INF65ABHa) .....	44
Compliance .....	45
Appendix I: Moving and Carrying Notice .....	46
Appendix II: Installing Stands or Wall Mount.....	47
Appendix III: Wall Mount Safety Notes .....	49
Appendix IV: Controlling the Monitor through Ethernet .....	51
Overview.....	51
Locating the LAN Connector on your Monitor .....	51
Assigning an IP Address to the Monitor .....	52
Connecting the Monitor to the Network .....	53
Installing the VCOM Driver .....	53

# Document History

**Title:** INX/T/F65ABHa User Manual

**Issue Date:** JAN. 2012

**Revision:** 01

<b>Version</b>	<b>Update</b>	<b>Remark</b>
<i>Ver.0.1</i>	<i>2012.JAN</i>	First version release

## Important Safety Instructions

Before using this monitor, please read this user manual thoroughly to help protect against property damage and to ensure your personal safety and the safety of others.

- Be sure to observe the following instructions.
- For your safety, be sure to observe the warnings located in this manual.
- For installation or adjustment, please follow the instructions in this manual and refer all servicing to qualified service personnel.

## Safety Precautions

**If smoke or a peculiar smell comes from the monitor, remove the power plug from the outlet immediately.**

Failure to do so may result in fire or electrical shock. Contact your dealer for inspection.

**If the monitor has been turned on but there isn't a picture, remove the power plug from the outlet immediately.**

Failure to do so may result in fire or electrical shock. Contact your dealer for inspection.

**If water is spilled or objects are dropped inside the monitor, remove the power plug from the outlet immediately.**

Failure to do so may result in fire or electrical shock. Contact your dealer for inspection.

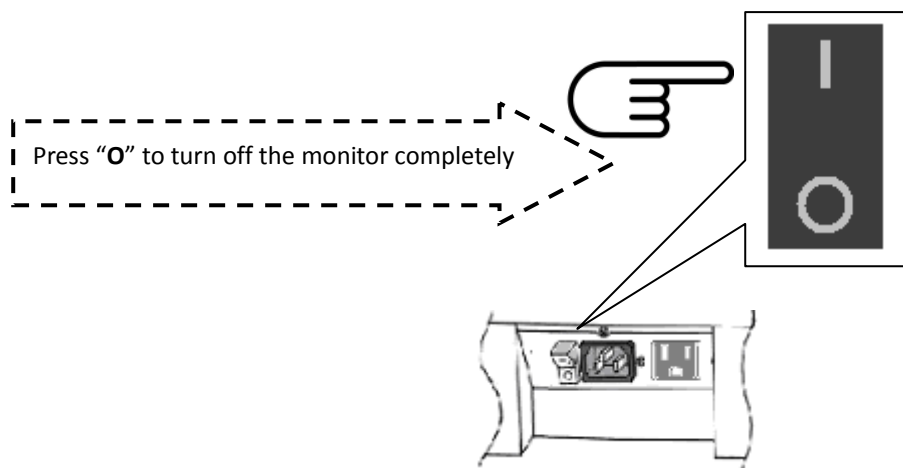
**If the monitor is dropped or the cabinet is damaged, remove the power plug from the outlet immediately.**

Failure to do so may result in fire or electrical shock. Contact your dealer for inspection.

**To turn off the power of the monitor, press "O" on the main power switch at side of monitor.**

The power standby/on indicator will go off and the monitor cannot to be turned on/off by using the POWER button on the remote control. (To turn on/off the monitor by the remote control, press the main power switch again and light the power standby/on indicator.)

- When turning off the monitor by pressing the POWER button on the remote control, the main power of the monitor is not turned off completely.
- To disconnect power completely, remove the power plug from the outlet.



**If the power cord or plug is damaged or becomes hot, turn off the main power switch of the monitor, make sure the power plug has cooled down and remove the power plug from the outlet.**

If the monitor is still used in this condition, it may cause fire or electrical shock. Contact your dealer for replacement.

## Installation

### **Don't install in a high-temperature environment.**

If the monitor is used in high-temperature or in direct sunlight, it may cause the case or other parts to become distorted or damaged, resulting in overheating or electrical shock.

### **Don't install in a high-humidity environment.**

This may cause overheating or electrical shock.

### **Don't install near any heat sources such as radiators, heat registers, stoves, or other apparatus that produce heat.**

This may cause fire or electrical shock.

### **Don't overload outlets or cables beyond electrical capacity.**

Don't use extension cords as it may cause fire or electrical shock.

### **Don't insert the power plug into an outlet other than 100~240V AC.**

This may cause fire or electrical shock.

- Don't use a damaged power plug or worn outlet.
- Don't insert an improper power plug it may cause fire or electric shock.

### **Don't place the monitor on an unstable shelf or surface.**

The monitor may fall, causing injury. Please install on a horizontal, stable, level surface.

### **Don't place objects on the monitor.**

- If the monitor is covered or the vents are blocked, the monitor could overheat and cause a fire.
- If metal or liquid gets into the monitor, it may cause fire or electrical shock.
- Do not put heavy objects on the monitor as they may fall, causing injury.
- Please keep a 10 cm minimum distance between the monitor and the wall for sufficient ventilation.

### **Don't move the monitor when it is connected to the power cord and AV cables.**

- When moving the monitor, make sure to remove the power plug and cables from the outlet or source.
- When unpacking or carrying the monitor, at least 2 people are needed. Make sure the monitor is carried upright.
- Transport the monitor upright. Avoid placing the monitor face up or down.
- Handle the monitor gently. Do not drop.

## Use

**If you encounter a problem during installation, please contact your dealer for assistance. Don't repair or open the monitor by yourself.**

Failure to do so may result in fire or electrical shock. Contact your dealer for inspection.

### **Protect and correctly use the power cord/plug.**

- Don't pinch the power cord/plug between hard surfaces.
- Don't step on the power cord/plug.
- Before inserting the power plug into the wall outlet, connect the power cord to the monitor.
- Don't operate the monitor with a damaged power cord or it may damage the monitor.

### **Using extension cords (not recommended)**

If an extension cord must be used, ensure the voltage rating exceeds the max power consumption of the monitor. If the voltage rating is less than the monitor, it will cause the extension cord to overheat.

### **If there is thunder or lightning, don't touch the monitor or the power plug.**

This may cause an electric shock.

### **Don't use any kind of liquid on the monitor.**

- If liquid is spilled on the monitor, remove the power and ask qualified service personnel to check the monitor.
- If the liquid gets on the monitor's screen, please clean it with a dry and soft cloth immediately.
- Don't use any harsh chemical on the monitor.
- If metal or liquid gets into the monitor, it may cause a fire or an electrical shock.

### **Don't install or remove the power plug with wet hands.**

This may cause an electrical shock.

### **If the monitor will not be used for a long period of time, unplug the monitor.**

This may cause premature wear of electrical components or fire.

### **Don't press on the LCD panel.**

This may cause personal injury or panel damage.

### **Don't push or shake the monitor.**

This may cause damage or injury.

- If the glass of the monitor panel is broken, liquid may escape. Please don't touch the liquid.
- If liquid get into your eyes or touches your skin, wash with the clean water and seek medical attention immediately.

### **Precautions with the remote control batteries**

- Please only use approved AAA type batteries.
- Please be sure to insert batteries by matching the + and -.
- Don't recharge, heat, disassemble, short or throw batteries into a fire.
- Don't mix a new battery with a used one.

## Cleaning

**If dust has collected on the power plug, removed the plug from the outlet and clean off the dust.**

Dust build-up may cause a fire.

**Take off the power plug before cleaning.**

Failure to do so may result in electrical shock or damage.

### Cleaning the surface of the monitor

- When the surface of the monitor becomes dirty, please wipe the surface lightly with a soft clean cloth.
- If the surface requires additional cleaning, lightly moisten the cloth.
- Do not let any kind of liquid enter the monitor as it may cause electrical shock or damage.
- Do not clean the monitor with alcohol, solvents or ammonia, as this could damage the monitor.

## Warnings

### Use

- Do not use the INX/T/F65ABHa lying flat on its back.
- Transport the monitor upright with proper packaging. Avoid placing the monitor face up or down. Be careful not to bump to the monitor.
- Do not send a static (non-moving) image to this monitor, or it may cause image 'burn-in' or image retention.
- "Burn in" and/or image retention is not covered under warranty.
- Make sure to change the image on the monitor periodically. It is recommended to (1) turn off the monitor for at least 6 hours after 18 hours of usage in a 24 hour period to avoid image retention and (2) to turn the "IRFM" function to "ON" in the OSD menu (under "Advanced Settings").
- Do NOT use the landscape-only INT65ABHa touch monitor in portrait mode.

### Exemptions

- This product isn't warranted for any damage caused by natural disaster (such as earthquake, thunder, etc.), fire, acts by third parties, accidents, owner's intentional misuse and fault, or use in other improper conditions.
- This product isn't warranted for incidental damages (such as profit loss or interruption in business, modification or erasure of record data, etc.) caused by use or inability to use of this product.
- This product isn't warranted for any damage caused by inappropriate operation, or from not following the user manual.
- This product isn't warranted for any damage caused by misuse or malfunction through simultaneous use of this product and the connected equipment or software.
- This product isn't warranted for any damage caused by neglect of the instructions described about installation.
- This product isn't warranted for any damage caused by improper installation.
- This product isn't warranted for any damage caused by disassembly, modification or repair by non-authorized service center or people.



## Using Touch Monitor near Light Sources

### Notice

- Incident light that contains large quantities of infrared light may affect touch screen operation and performance. This is because the touch system in this monitor is an optical device that utilizes an infrared light source and sensitive sensors for touch detection.
- To ensure reliable touch performance, intense light, spotlights, and direct sunlight should be kept far away from the touch screen, especially when these light sources may be in the line-of-sight of the cameras.
- It is recommended that intense light sources not be in front of or directly above the touch monitor. (Figure A). If necessary, reposition the touch monitor so that the light source is no longer interfering with touch performance.

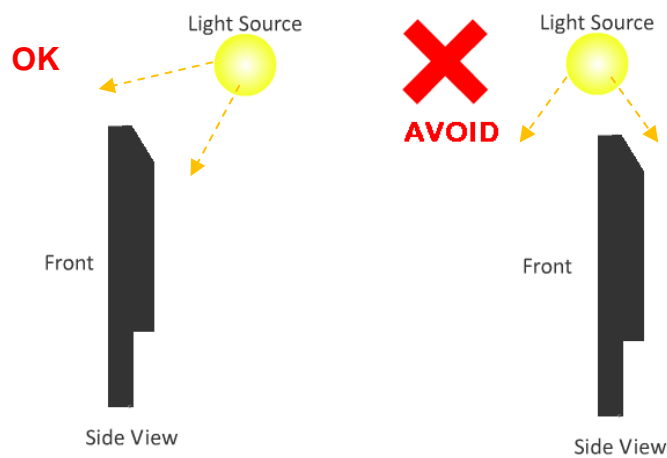


Figure A: Avoid bright lights above or in front of touch monitor

- Because of the optical properties of the touch sensor, installing the touch monitor close to windows and/or glass doors is not recommended, as this may reduce touch reliability due to interference from direct or indirect sunlight (See Figure B).

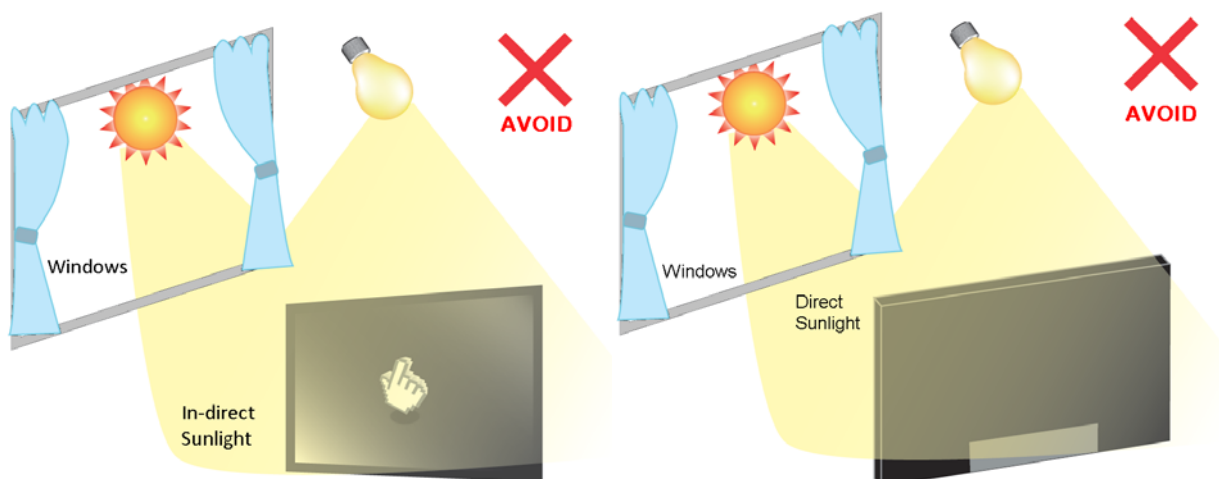


Figure B: Avoid installation close to windows – indirect and direct sunlight may impact touch performance

## Product Features

This monitor supports the 1920x1080p HDTV format and can display a true 1.073 billion colors. It supports a full range of interface types, including: DisplayPort, HDMI, VGA, DVI, Component video, S-video, Composite video, Audio in, Audio line out, IR extender and RS-232C.

<u>Video system Input:</u>		<u>RGB Input:</u>		<u>Communication</u>	<u>Touch</u>
HDMI	x2	DisplayPort	x1	RS-232C in	Touch USB x1
COMPONENT (RCA)	x3	PC (VGA)	x1	RJ-45 in & out / LAN in	
VIDEO (RCA)	x1	PC (DVI-D)	x1		
S-VIDEO (Mini Din 4 pin)	x1				

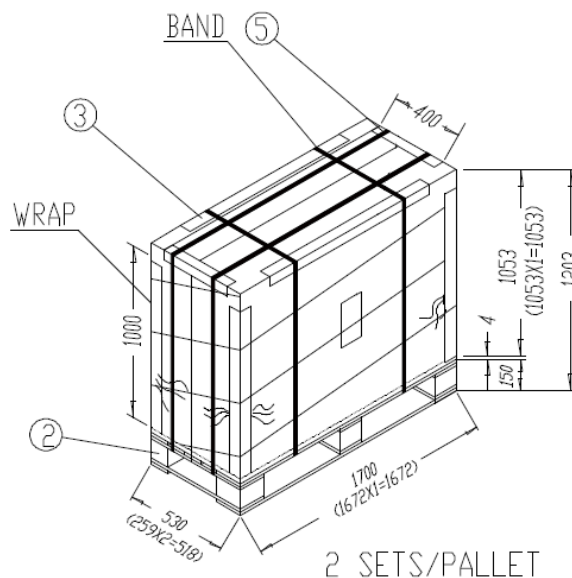
### Other features

- High brightness (450 nits)
- DisplayPort input
- 2 HDMI v1.3 inputs with HDCP
- Audio line output
- Internal speaker with 10Wx2 RMS power
- Signal source auto detection
- OSD keypad lock function
- PIP and PBP
- Adjustable overscan
- Input main / sub source detection
- Landscape touch support
- WOD (wake on digital)
- Selectable audio source (PC audio or HDMI audio)

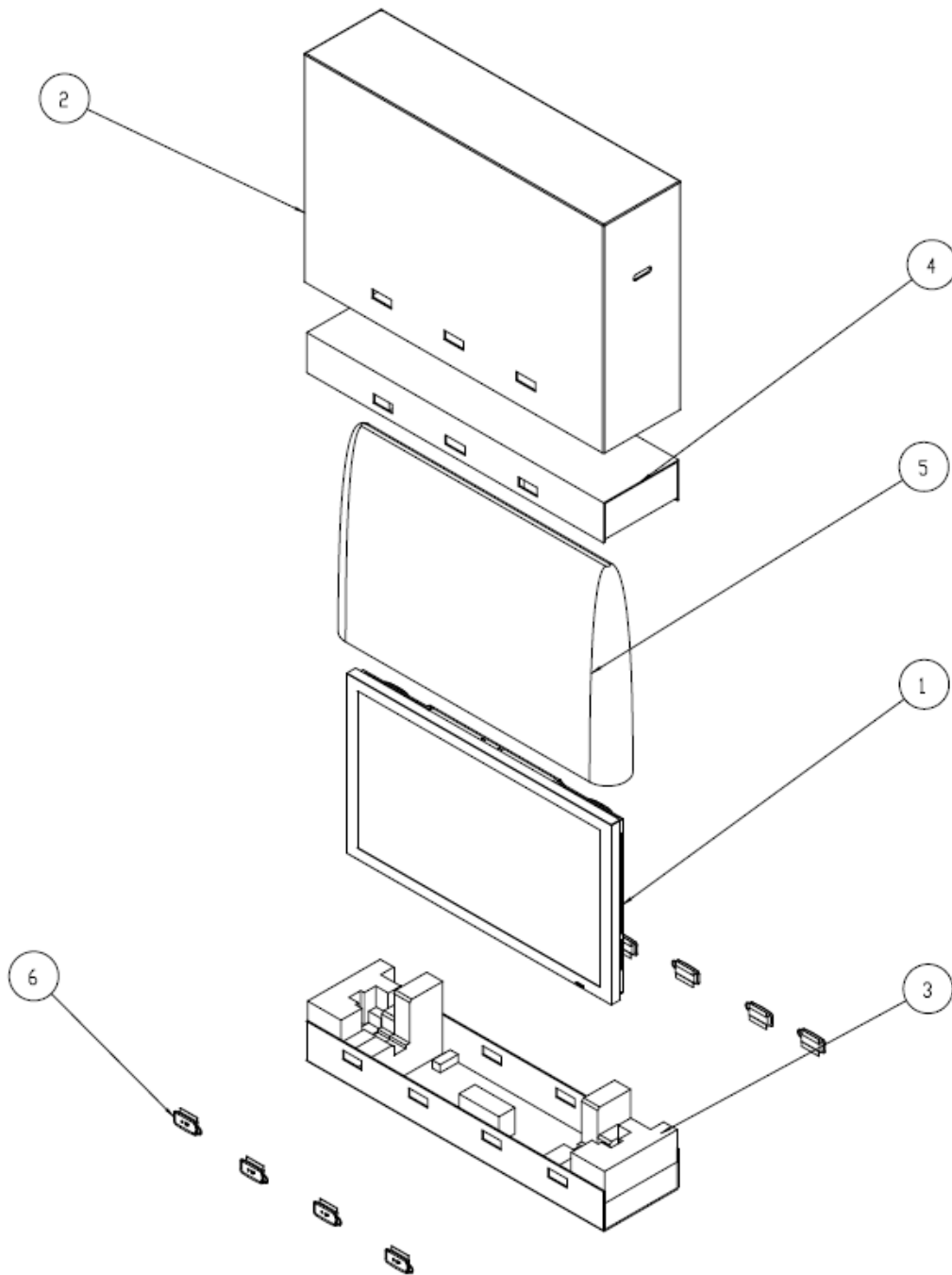
## Package Contents

### Unpacking

- The INX/T/F65ABHa is packed in a carton box and secured to a wooden pallet at the factory. The INX/T/F65ABHa is packed using cushions to protect the monitor during shipping.
- Before unpacking your monitor, prepare a stable, level, and clean surface near a wall outlet.
- Set the LCD Monitor box in an upright position and open from the top of the box before removing the top cushions.
  - Step 1: Remove the white handle and cut the banding
  - Step 2: Remove the top cushion and take the accessory bag out.



# Packing list



6	CARTON LOCK	8
5	POLY BAG	1
4	EPE CUSHION TOP	1
3	EPE CUSHION BOTTOM	1
2	CARTON	1
1	INX65ABHa	1
ITEM	DESCRIPTION	QT'Y

## Included Accessories

### VGA Cable



### Power Cord



### USB Cable (INT65ABHa only)

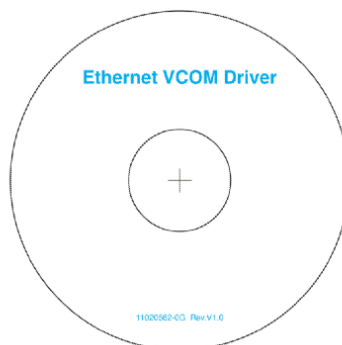


### Remote Control (with 2 AAA batteries, included)



### VCOM LAN Driver (included with Ethernet option)

See “Appendix IV” for instructions on how to install the LAN driver.



# Product Overview

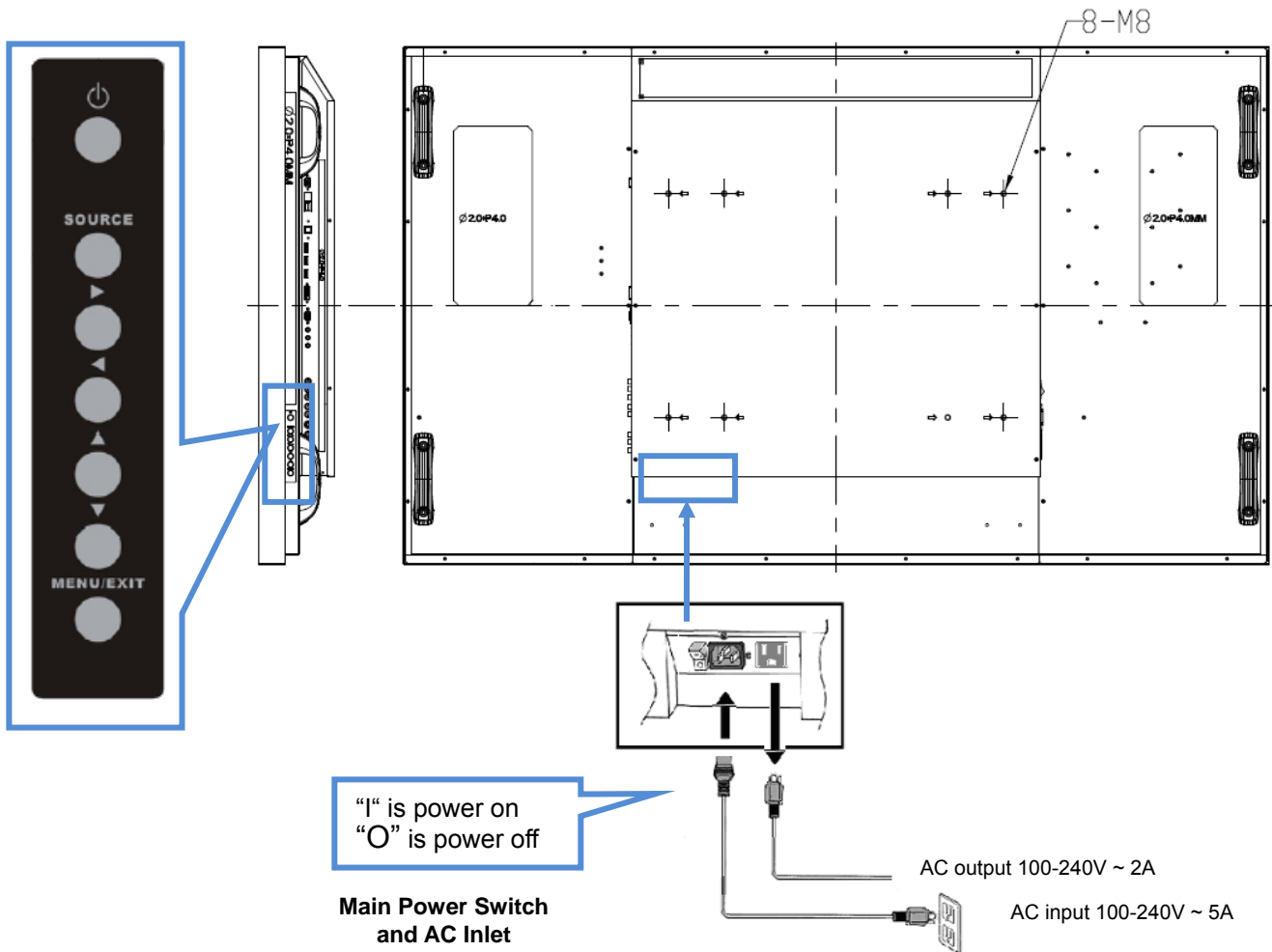
When operating the INX/T/F65ABHa monitor, ambient room conditions should not exceed the following:

- Operating temperature: 5°C to 35°C (41°F to 95°F)
- Humidity : less than 75% RH (Max)

## Main Power Switch and AC Inlet

The included power cord is used to connect the monitor to an AC wall outlet. Plug the power cord into the AC inlet on the side of the monitor.

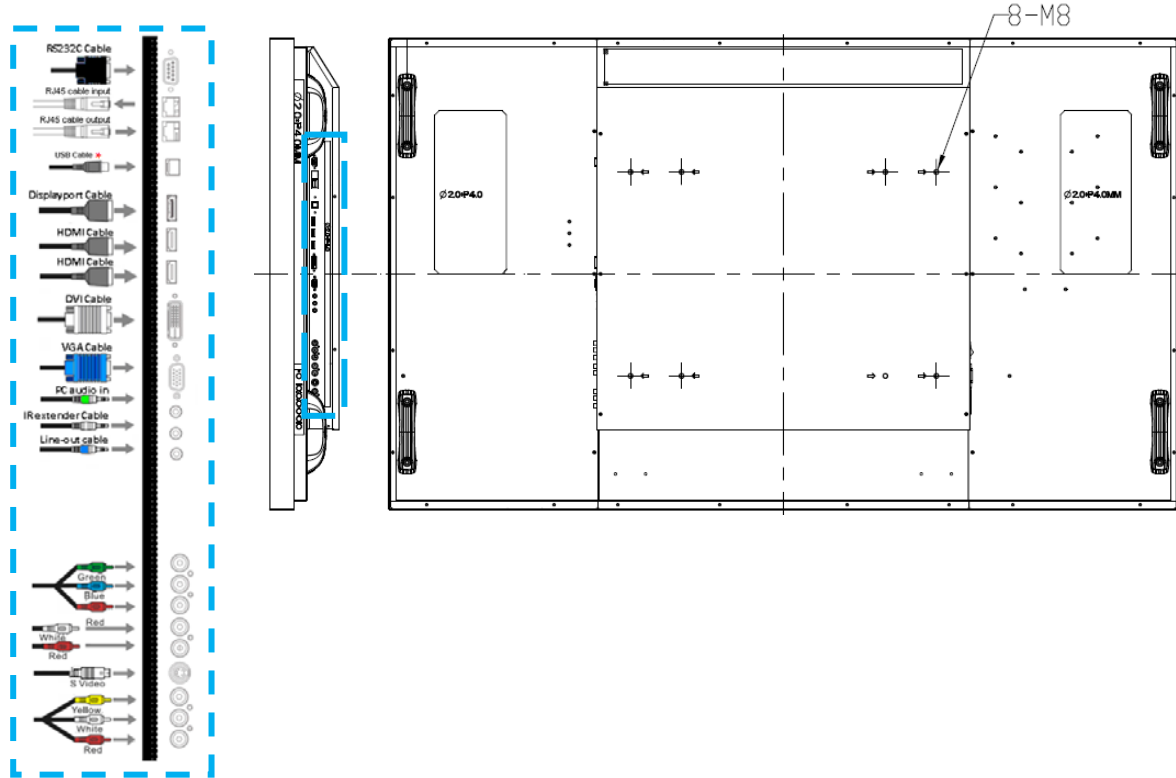
Locate the Main Power switch directly below the AC inlet and press “-” to turn power on, and “O” to turn power off.



## Power Switches

- The main power switch located directly below the AC power inlet. Please see the chapter “**Main Power Switch and AC Inlet**” above.
- The on/off switch is the top button on the monitor keypad.
- The on/off switch is also located on the remote control.

# Input and Output Connectors



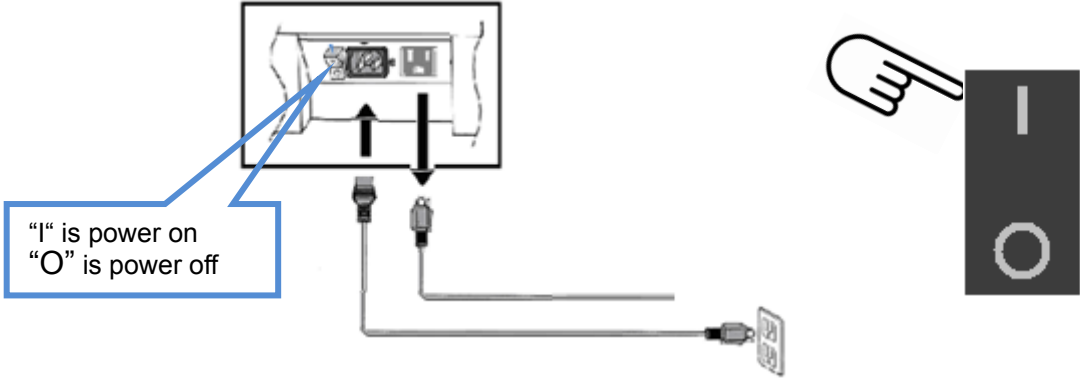
Name	Connector	Remarks
DisplayPort x1		
HDMI 1 input x1		
HDMI 2 input x1		
DVI input x1		
VGA (PC) input x 1	D-Sub 15 pin	
PC audio in x1	Mini jack	
IR Extender x1	Mini jack	
Line Out x1	Mini jack	
Y-Pb-Pr (Y-Cb-Cr) input x 1	RCA G/B/R	
Audio for Component input x 1	RCA W/R	
S-video input x 1	Mini Din 4 pin	
Video input x 1	RCA	
Audio for S-Video/Video input x 1	RCA W/R	
Power cord input	AC input	
RS232C input x 1	D-Sub 9 pin	
RS485 input x1	RJ-45	
RS485 output x1	RJ-45	
LAN input x1*	RJ-45	Optional
Power output	AC output	Default : US type Optional : IEC 13**
Power input	AC input	
AC switch	ON/OFF	

**Notes:** \*Optional  
\*\*Optional: IEC-13 is for European models

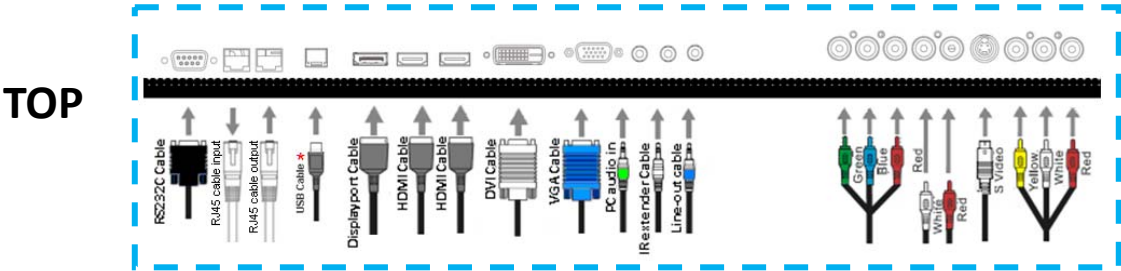
# Operating the Monitor

## Setting up the Monitor

**Step 1:** Plug in the power cable and turn on the AC power switch (without turning on the signal source device(s)).



**Step 2:** Plug in the signal source cables.



**Step 3:** Press the power key on the monitor's keypad or the power key on the remote control to turn on the monitor.



**Step 4:** Turn on the power of the signal source device(s) to begin sending a signal to the monitor.




## Turning Monitor On and Off

### Turning the monitor on

1. Connect the monitor to an AC power outlet
2. Ensure the AC switch is set to “—”.
3. Press the power button on the remote control or keypad.

### Turning the monitor off

With the power on, press the power button on the remote control or keypad to put the monitor into standby mode. To turn off power completely, turn the AC switch to “O” or disconnect the AC power cord from the power outlet.

 **Note:** If there is no signal input for a period of time, the monitor will automatically go into power saving (sleep) mode.

## Adjusting Volume and Input Source

### Adjusting the Volume

1. Using the remote, press the **VOLUME-** or **VOLUME+** to increase or decrease the volume.
2. Press the **MUTE** button to temporarily turn off all sound. To restore the sound, press the **MUTE** button again.

### Selecting the input source

1. Using the remote, press the desired source button (VGA, HDMI1, HDMI2, DVI, DisplayPort, VIDEO, S-V, Component)
2. Or press **SOURCE** on the monitor keypad, use the arrow buttons (▲ ▼) to navigate to the desired input source, and press **ENTER**:
  - VGA
  - HDMI 1
  - HDMI 2
  - DVI
  - DisplayPort
  - Composite Video
  - S-Video
  - Component
3. If the monitor cannot find a source, a “No signal” message will appear.



Main No signal

Going to Sleep



## Using the Keypad



Key	Descriptions
<b>Power</b>	Power on/Power off
<b>Source</b>	Source selection (toggle)
▶	Menu Right/Volume +
◀	Menu Left/Volume -
▲	Menu Up
▼	Menu Down
<b>Menu/Exit</b>	Menu/Exit selection

## Reading the Status LED

LED Illumination	Condition
<b>Green</b>	Normal operation
<b>Blinking Orange</b>	No signal
<b>Orange</b>	Power Saving
<b>Off</b>	Power off
	AC off



**Note:** If the LED is set to “Off” in the OSD menu, the status LED will not operate.

## Avoiding Image Retention

Fixed images displayed over a long periods of time may cause image “burn-in” or image retention. Image retention is not covered under warranty.

Follow the recommendations below to avoid image retention.

### Operate display within its rated ambient environment

- Operating temperature: 5°C to 35°C (41°F to 95°F)
- Humidity : 75% RH (Max)

### Avoid static content

- During each 24 hour period, turn the monitor off for a continuous 6 hours.
- Display dynamic (moving) images whenever possible.
- Avoid displaying static (fixed) images for long periods of time.
- Consider using a screen saver to avoid displaying static (fixed) video content continuously.

### Set IRFM to ON

To help avoid image retention, it is recommended that the IRFM feature be set to “ON”. This feature can be selected via the OSD (on screen display) under “**Advanced Settings**”/ “**IRFM**”/ “**ON**”.

## Using the Remote Control



No	Function	Description
1		Turns the monitor on and off
2	INFO	Provides source and resolution information
3	VGA	Selects the PC RGB source
	DVI	Selects the PC DVI source
	HDMI 1	Selects the HDMI source 1
4	COMP	Selects the Component source
	AV (VIDEO )	Selects the Composite Video source
	HDMI 2	Selects the HDMI source 2
5	PIP position	Selects the PIP position
	DisplayPort	Select the DisplayPort source
	HD-SDi 1	Not available at this model.
6	PIP	Turns the PIP feature on and off
	S-V	Selects the S-Video source
	HD-SDi 2	Not available at this model.
7	SWAP	Swaps the main source & sub source picture
8	P-SOURCE	Selects the secondary sub-source
9	MENU	Opens the monitor's on-screen menu system. When the menu system is already open, pressing this button will select the previous submenu
	▲, ◀, ▶, ▼	Navigates through submenus and settings
10	EXIT	Closes the menu system
11	ENTER	Selects highlighted menu choices
12	SCALING	Toggles between different aspect ratios (Full Screen, Native, Letter Box and Pillar Box)
	FREEZE	Freezes the current source image
	MUTE	Turns off the sound
	BRIGHT	Adjusts the brightness
	CONTRAST	Adjusts the contrast
	AUTO	Auto adjustment VGA source
	SOURCE	Allows selection of the different sources
VOLUME-	Decreases the sound volume	
VOLUME+	Increases the sound volume	

## Locking the OSD (On-screen Display)

### To lock the remote control and keypad (to prevent tampering monitor settings):

Press **Enter**, **Enter**, **Exit**, **Exit**, **Enter** and **Exit** on the remote control or the keypad.

### To unlock the remote control and keypad:

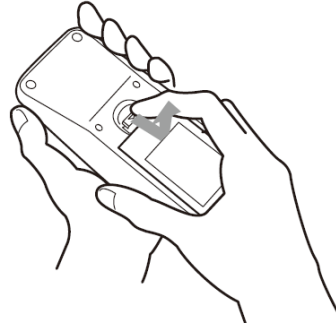
Press **Enter**, **Enter**, **Exit**, **Exit**, **Enter** and **Exit** on the controller by sequence again and all keys will be unlocked.

Key Locked

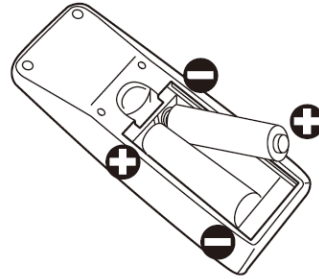
Key Unlocked

## Changing the Remote Control Battery

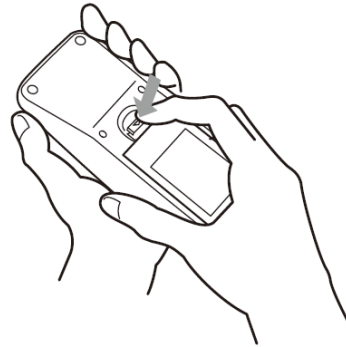
1. **Remove the battery cover**  
Slide back and remove the battery cover in the direction of the arrow.



2. **Insert the batteries**  
Align and insert two AAA batteries according to their plus and minus ports (as indicated in the remote control).



3. **Close the battery cover**  
Replace the battery cover in the direction of the arrow and snap it back into place.



- i. Used batteries need to follow the city rule to be discarded.
- ii. Avoid keeping used, old batteries inside the remote control, causing leakage of internal liquid resulting in metal rust or fatal damage to the remote control hand unit.
- iii. Batteries to be used according to the instruction.

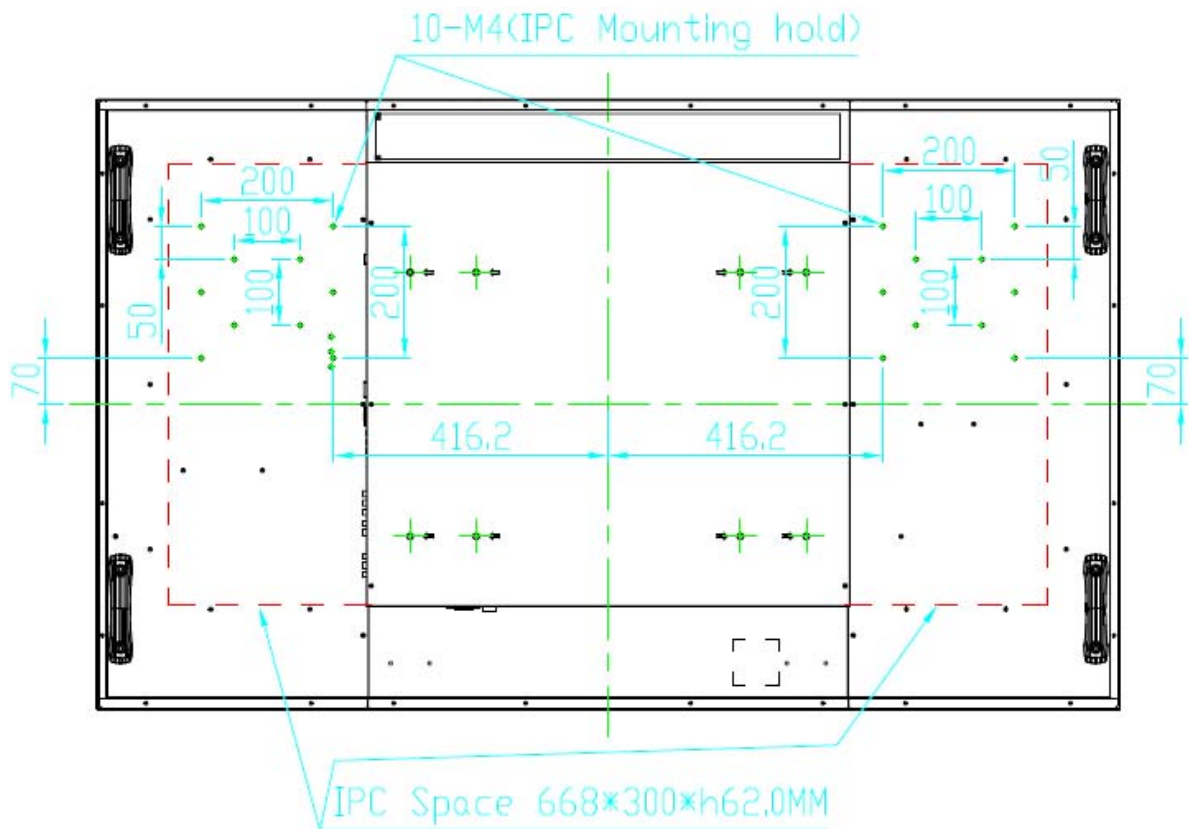


### CAUTION

#### About the remote control

- ◆ Don't drop, shake or bump.
- ◆ Don't place on wet materials.
- ◆ Don't dismantle.
- ◆ Don't place in locations with exposure to high-temperature or high-humidity levels.

## Mounting an IPC (Integrated PC)



### Available space for an IPC

668 x300 x62 mm

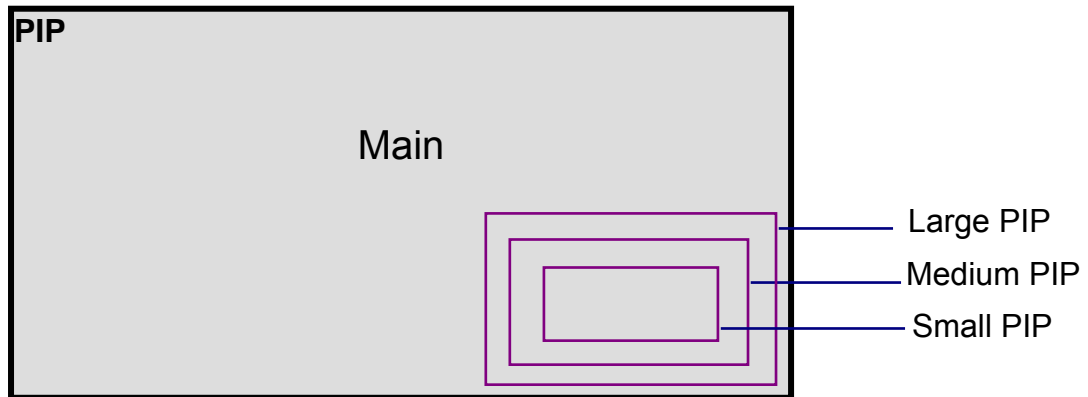
### Screw pattern for mounting an IPC

100x100mm

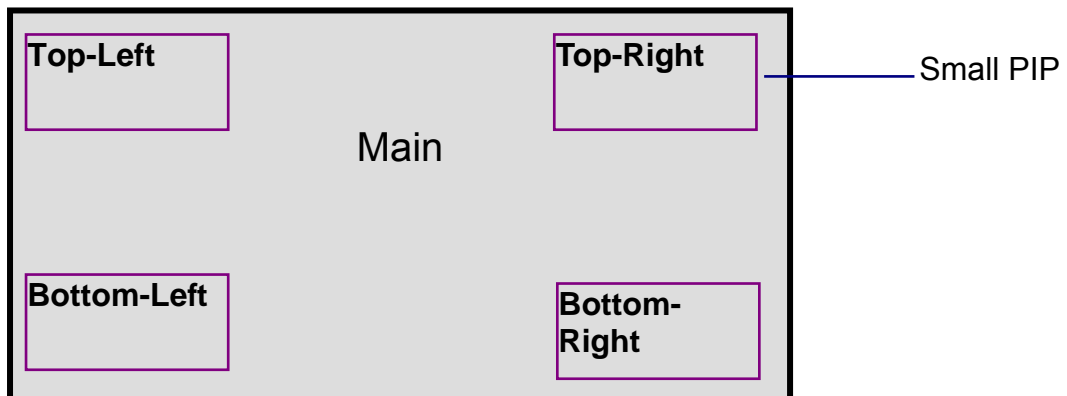
200x200mm

## Using PIP (Picture-in-Picture) Mode

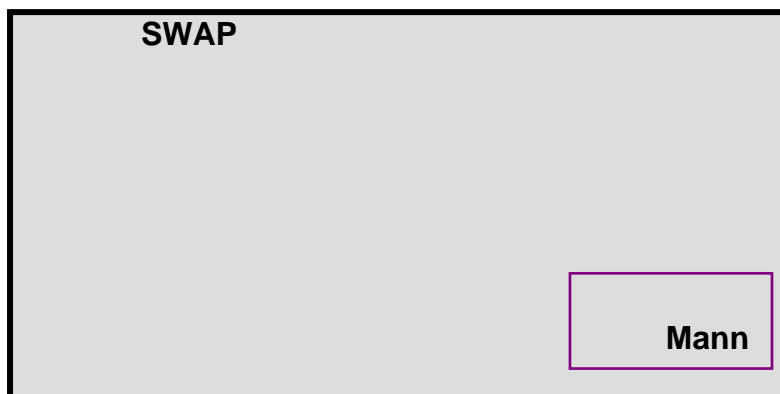
1. **Select the main source** – Using the remote, press the desired source button (VGA, HDMI1, HDMI2, DVI, DisplayPort, Composite Video (Video), S-V, or Component).
2. **Turn on PIP:** Using the remote, press **PIP**.



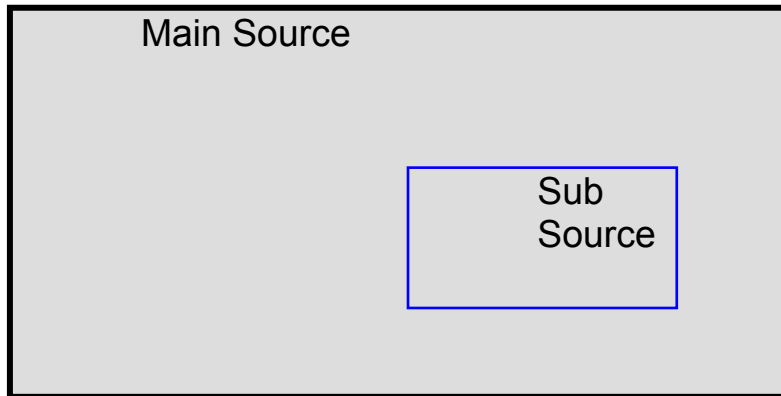
3. **To select the PIP/ sub-source:** Using the remote, press **P-SOURCE** and use the arrow buttons (▲ ▼) to navigate to the desired sub-source. Press **ENTER**.
4. **To change the size and position of the sub-source:** Using the remote, press **P-POSITION** to toggle through the options.



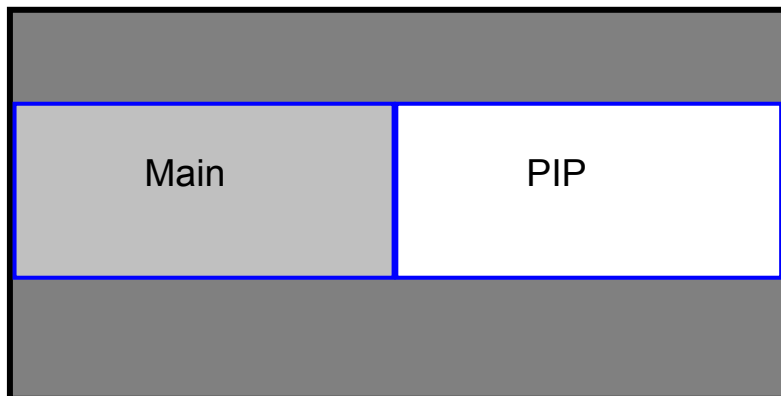
5. To switch the main source and the sub-source: Using the remote, press **SWAP**.



6. To switch audio between the main source and the sub-source: Using the remote, press AUDIO.
7. Note: For additional PIP functionality, press MENU and navigate to the Display Settings menu. Use the arrow buttons (▲ ▼) to navigate to the desired PIP feature and press ENTER. Press ► to toggle through the associated options and press ENTER to select the highlighted option.



8. **Side by Side (Picture-by-Picture):** Press **P-POSITION** button choose “Side by side” mode, then the main source and the sub-source will be on the screen display.



### PIP Screen Table

	VGA	HDMI 1	HDMI 2	DVI	DisplayPort	Video	S-Video	Component
VGA	—	Yes	Yes	Yes	Yes	Yes	Yes	Yes
HDMI 1	Yes	—	—	—	Yes	Yes	Yes	Yes
HDMI 2	Yes	—	—	—	Yes	Yes	Yes	Yes
DVI	Yes	—	—	—	Yes	Yes	Yes	Yes
DisplayPort	Yes	Yes	Yes	Yes	—	Yes	Yes	Yes
Video	Yes	Yes	Yes	Yes	Yes	—	—	Yes
S-Video	Yes	Yes	Yes	Yes	Yes	—	—	Yes
Component	Yes	Yes	Yes	Yes	Yes	Yes	Yes	—

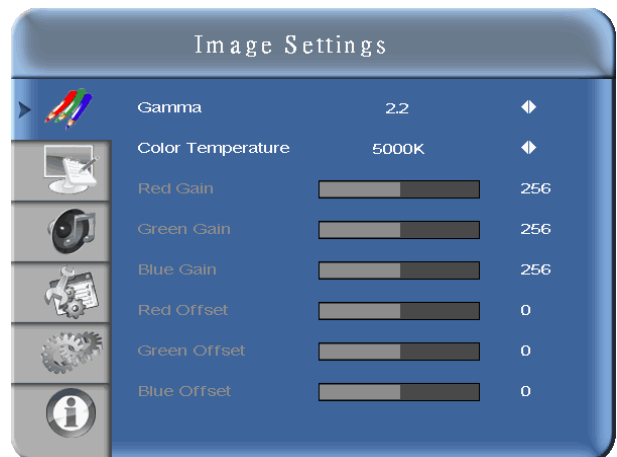
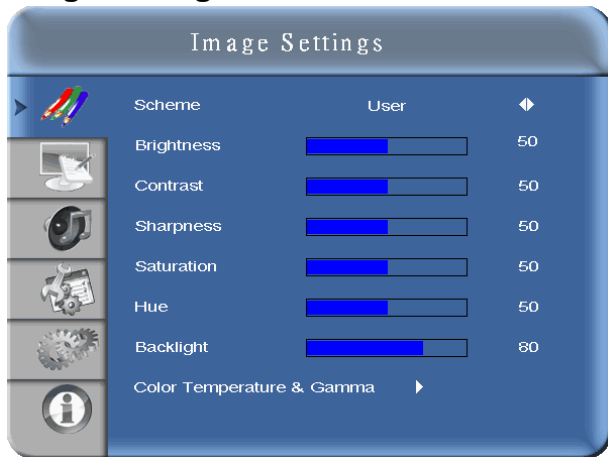
# Using the Menus

## Navigating through the Menu System

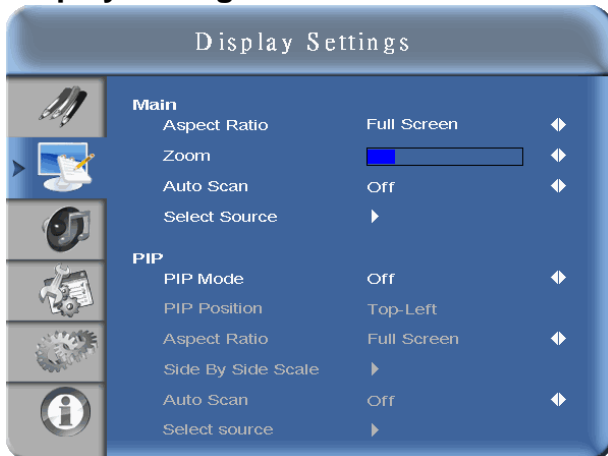
1. With the power on, press **MENU**. The **Image Settings** menu will display.
2. Within the menu, use **▲, ▼, ◀, ▶**, and **ENTER** to navigate through the menus and adjust options.
3. Press **MENU** to return to the previous menu. To exit the menu system, press **EXIT**.

## On-Screen Display (OSD) Overview

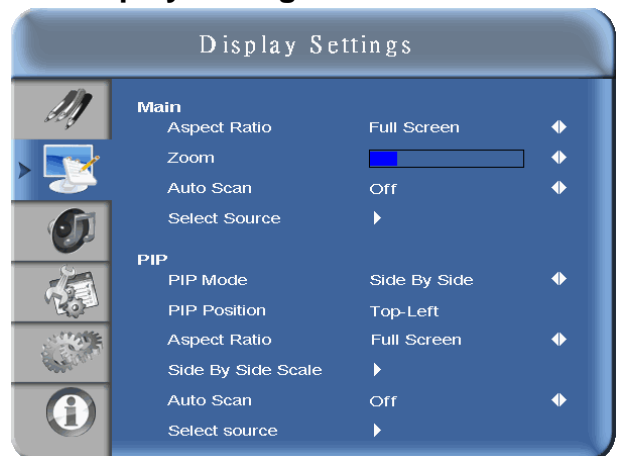
### Image settings



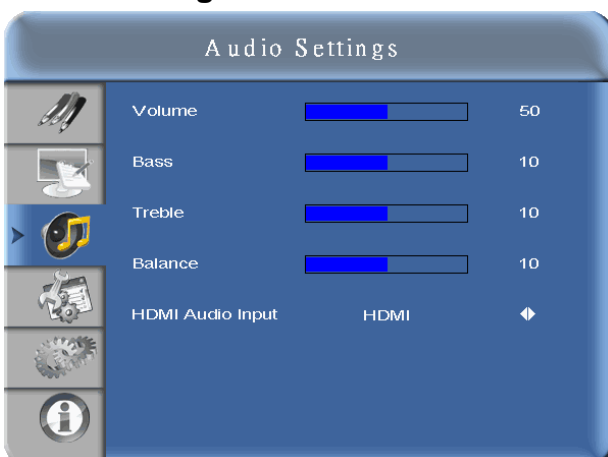
### Display settings -Main



### Display settings - PIP



### Audio Settings





## Basic Settings

Basic Settings

- OSD Transparent  0
- OSD Location
- OSD Zoom Off
- OSD Rotation Landscape
- OSD Language English
- OSD Timeout 0 Sec.
- Sleep Timer Off
- Power LED Off
- Real Time Clock

## Real Time Clock

Basic Settings

Real Time Clock

Real Time 2010 / 10 / 7 13 : 21

Alarm Power ON Disable 12 : 00

Alarm Power OFF Disable 12 : 00

## System Status

System Status

**Channel Information**

	Source	Resolution
Main	HDMI1	1024x768@60.0Hz
PIP	VGA	1024x768@60.0Hz

Firmware Version V0.01

## Advanced Settings

Advanced Settings

- Auto Adjustment No
- Image Position
- Phase  0
- Clocks  0
- VGA ADC Settings
- Flesh Tone Off
- IRFM Off
- Baud Rate 115200
- Smart Light Control Off
- WOD Mode Off
- Multi-Display Control
- Factory Reset No

## Advanced Settings (optional Ethernet Control)

Advanced Settings

- Auto Adjustment No
- Image Position
- Phase  0
- Clocks  0
- VGA ADC Settings
- Flesh Tone Off
- IRFM Off
- Baud Rate 115200
- Smart Light Control Off
- WOD Mode Off
- Ethernet Setup
- Factory Reset No

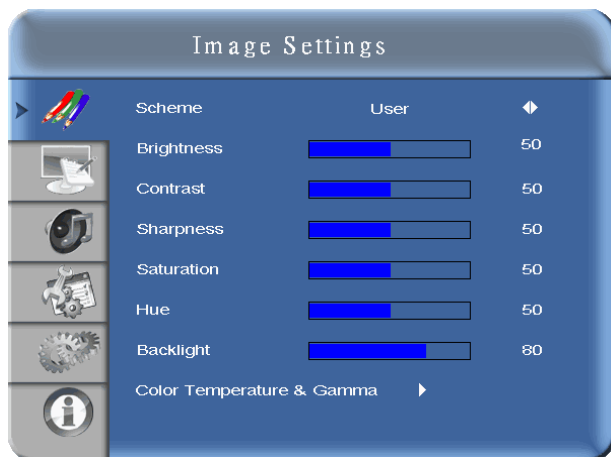
## Network setup (Option: LAN function)

Advanced Settings

- Enable Network No
- Dynamic IP Disabled
- Static IP Address 0 . 0 . 0 . 0
- Subnet Mask 0 . 0 . 0 . 0
- Gateway 0 . 0 . 0 . 0
- DNS Addr. 0 . 0 . 0 . 0
- Save Network Settings  No Yes
- Load default settings  No Yes
- Device MAC

## Image Settings Menu

This menu is used for making common image adjustments.



### Scheme

Press ◀ or ▶ to select one of the following:

**Options:** User, Vivid, Cinema, Game, Sport

**Default:** User

### Brightness

Increases or decreases the brightness of picture. Press ◀ or ▶, select the desired level, and then press **ENTER**.

**Range:** 0~100; **Default:** 50

### Contrast

Increases or decreases the contrast of picture. Press ◀ or ▶, select the desired level, and then press **ENTER**.

**Range:** 0~100; **Default:** 50

### Sharpness

Adjusts the definition of picture. Press ◀ or ▶, select the desired level, and then press **ENTER**.

**Range:** 0~24; **Default:** 10

### Saturation

Adjusts the brilliance and brightness (only Video Mode). Press ◀ or ▶, select the desired level, and then press **ENTER**.

**Range:** 0~100; **Default:** 50

### Hue

Increases or decreases the green hue (Only Video Mode). Press ◀ or ▶, select the desired level, and then press **ENTER**.

**Range:** 0~100; **Default:** 50

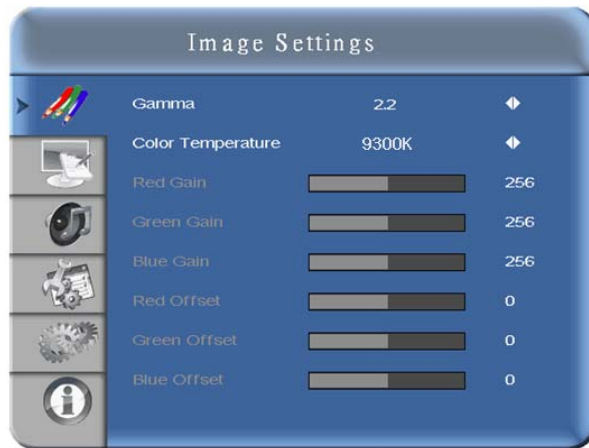
### Back Light

**Range:** 0~100; **Default:** 80

### Color Temp and Gamma

Adjusts red, green, blue gain and red, green blue offset.

## Image Settings Menu (continued)



### Gamma

**Options:** Off, 2.2  
**Default:** 2.2

### Color Temp

**Options:** User, 5000K, 6500K, 7500K and 9300K.  
**Default:** 9300K

### Red Gain

Set Color Temperature to "User Mode" in order to adjust this setting.  
**Range:** 128~384  
**Default:** 256

### Green Gain

Set Color Temperature to "User Mode" in order to adjust this setting.  
**Range:** 128~384  
**Default:** 256

### Blue Gain

Set Color Temperature to "User Mode" in order to adjust this setting.  
**Range:** 128~384  
**Default:** 256

### Red Offset

Set Color Temperature to "User Mode" in order to adjust this setting.  
**Range:** -50~50  
**Default:** 0

### Green Offset

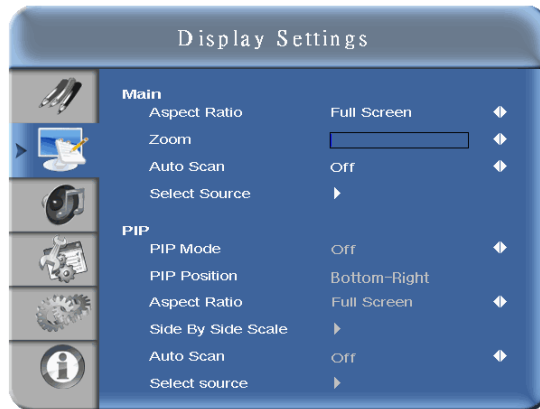
Set Color Temperature to "User Mode" in order to adjust this setting.  
**Range:** -50~50  
**Default:** 0

### Blue Offset

Set Color Temperature to "User Mode" in order to adjust this setting.  
**Range:** -50~50  
**Default:** 0

# Display Settings Menu

This menu is used for common source adjustments.



## Main

The Display Setting Mode.

### Aspect Ratio

Changes the picture aspect ratio  
 Press ◀, ▶ to select the following options:  
**Options:** Full screen, Pillar Box, Letter Box ,Native  
**Default:** Full screen

### Zoom

**Range:** 0~10  
**Default:** 0

### Auto Scan

**Range:** On, Off  
**Default:** On

### Select Source

**Options:** HDMI1, HDMI2, VGA, Component, S-Video and Video  
**Default:** HDMI1

## PIP

### PIP Mode

**Options:** Off, Large PIP, Middle PIP, Small PIP and Side-by-Side  
**Default:** Off

### PIP Position

**Options:** Bottom-Right, Top-Left, Top-Right and Bottom-Left  
**Default:** Bottom-Right

### Aspect Ratio

**Options:** Full screen, Pillar Box, Letter Box  
**Default:** Full screen

### Side by Side Scale

**Submenu Options:** Zoom In, Zoom Out, Main, PIP, Default and Return

### Auto Scan

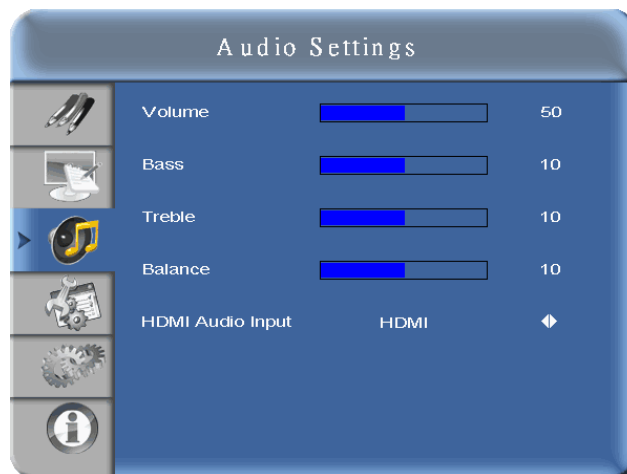
**Options:** On, Off  
**Default:** On

### Select Source

**Options:** HDMI1, HDMI2, DVI, DisplayPort, Component, S-Video and Video  
**Default:** VGA for Main, Video for PiP

## Audio Settings Menu

This menu is used for adjusting volume settings.



### Volume

Adjust the sound. Press ◀ or ▶, select the desired level, and then press **ENTER**.

**Range:** 0~100

**Default:** 50

### Bass

Adjust the sound in low tones (bass). Press ◀ or ▶, select the desired level, and then press **ENTER**.

**Range:** 0~20

**Default:** 10

### Treble

Adjust the sound in high tones (Treble). Press ◀ or ▶, select the desired level, and then press **ENTER**.

**Range:** 0~20

**Default:** 10

### Balance

Adjust the balance of the left and right speakers. Press ◀ or ▶, select the desired level, and then press **ENTER**.

**Range:** 0~20

**Default:** 10

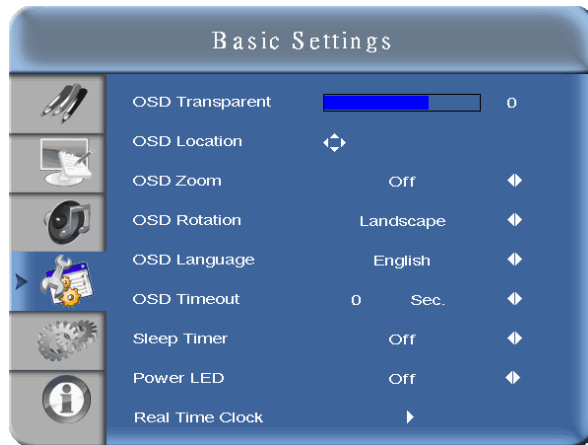
### HDMI Audio Input

Select HDMI and PC audio input mode.

**Default:** HDMI

## Basic Settings Menu

This menu is used to make initial set-up adjustments to the OSD (On-Screen Display) menu and other on-screen messages.



### OSD Transparent

Set the menu transparency. Press ◀ or ▶ to select the desired level and then press **ENTER**.

**Range:** 0~100

**Default:** 0

### OSD Location

Adjust the menu location on the monitor (Up, Down, Left, Right).

### OSD Zoom

**Options:** On, Off

**Default:** Off

### OSD Rotation

This function is no available at this model.

### OSD Language

**Options:** English and 中文

**Default:** English

### OSD Timeout

**Options:** 5~120

**Default:** 30

### Sleep Timer

Set a period of time after which the monitor will switch to standby mode automatically. Press ◀▶ to select the desired time limit.

**Options:** Off, 15, 30, 45, 60, 90, 120 Min

**Default:** Off

### Real Time Clock

Please see page 32 for more information

## Basic Settings Menu (continued)



### Real Time Clock

Set date, and switch alarm on and off

#### Real Time

Current time setting  
Year / Month / Date Hour : Minutes

#### Alarm Power ON

Power on timer setup  
**Options** : Disable , Enable  
**Default** : Disable

#### Alarm Power OFF

Power off timer setup  
**Options** : Disable , Enable  
**Default** : Disable

## Advanced Settings Menu



### Auto Adjustment

Forces the monitor to reacquire and lock to the input signal. This is useful when the signal quality is marginal. Note: This feature does not continually reacquire the signal.

**Options:** No, Yes

**Default:** No

### Image Position

Image location can be adjusted (Only VGA Mode).

**Options:** Up, Down, Left, Right

### Phase

**Range:** 0~63 (Only VGA Mode)

### Clocks

**Range:** 0~100 (Only VGA Mode)

### VGA ADC Settings

Select ADC setting, User ADC Calibration, and restore factory default ADC setting.

**Options:** Default, User

**Default:** Default

### Flesh Tone

**Options:** Off, Low, Medium and High (Only Video Mode)

**Default:** Off

### Front LED

**Options:** On and Off

**Default:** On

### IRFM

Creates slight frame motion to help avoid image retention.

**Options:** On

**Default:** Off

### Baud Rate

**Options:** 115200, 38400, 19200, 9600

**Default:** 115200

### Smart light control

**Options:** Off, DCR, Light Sensor

**Default:** Off

### WOD Mode

**Options:** On, Off

**Default:** Off



## Multi-Display Control

**Options:** 1~25

**Default:** 1

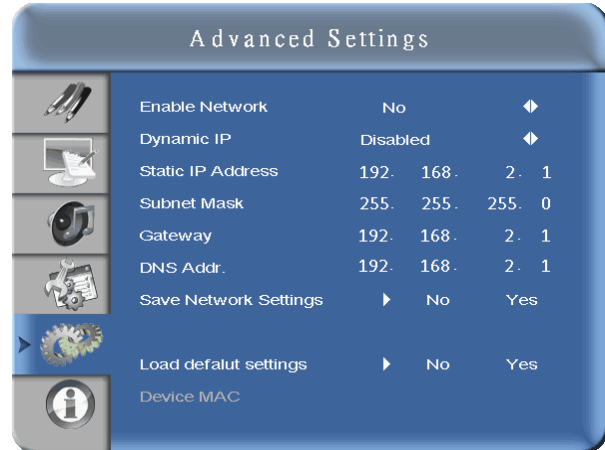
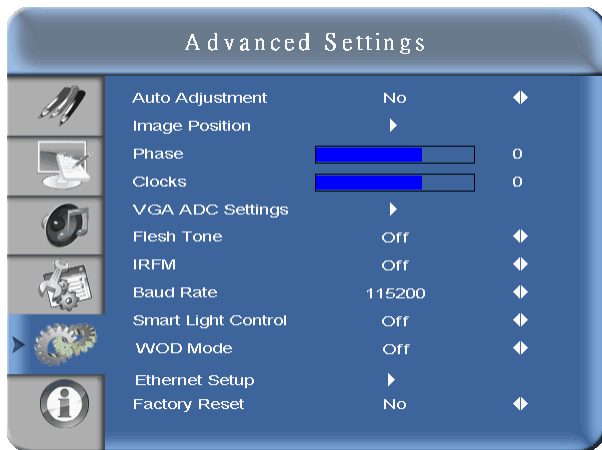
## Factory Reset

Restores all settings to their default.

**Options:** No, Yes

**Default:** No

## Advanced Settings Menu (Optional Ethernet Control)



### Enable Network

Enable network feature

**Options:** No, Yes

**Default:** No

### Dynamic IP

Enable Dynamic IP mode

**Options:** Disable, Enable

### Static IP Address

Set static IP address

**Range:** 0~255.0~255. 0~255. 0~255

### Subnet Mask

Set subnet mask

**Range:** 0~255.0~255. 0~255. 0~255

### Gateway

Set gateway address

**Range:** 0~255.0~255. 0~255. 0~255

### DNS Address

Set DNS address

**Range:** 0~255.0~255. 0~255. 0~255

### Save Network Settings

Update the IP settings to net device.

**Options:** No, Yes

**Default:** No

### Load Default Settings

Load default network settings

**Options:** No, Yes

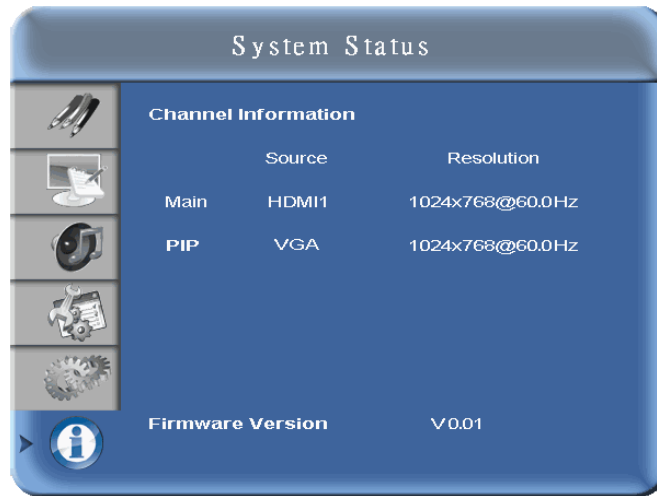
**Default:** No

### Device MAC

MAC Info

## System Status Menu

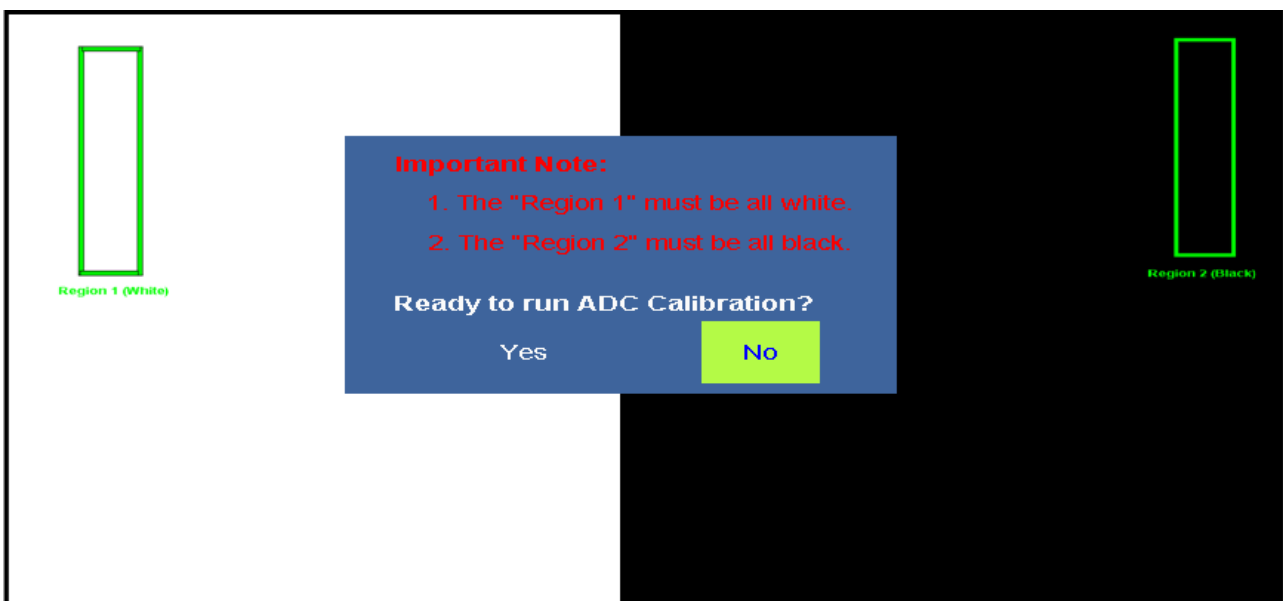
This read-only menu provides information on the active sources and the latest firmware version.



## User ADC (Analog-to-Digital Converter) Calibration

When using VGA as the signal source, go to Advanced Settings in the OSD menu and select VGA ADC Settings → User ADC Calibration.

1. A warning message (see image below) will prompt you to make sure a proper test image is displayed on screen before the ADC calibration begins.
2. The field in the green boxes, displayed on both sides of the screen, has to be white and black in order for the calibration to run accurately. Note: the black and white image can be made using standard software such as Microsoft PowerPoint.
  - a. The white in the left green box has to be the brightest white.
  - b. The black in the right green box has to be the darkest black.



3. After a proper image is displayed, click “Yes” to begin ADC calibration.
4. During the calibration process, the following message will be displayed to notify you to wait for the calibration process to finish.



5. After calibration is completed, the display will notify you that calibration has succeeded or failed.



## WOD Mode (Wake On Digital)

Normally, the INX/T/F65ABHa will “wake up” from power saving mode only when it receives an active video signal via its VGA (analog) input.

WOD is a feature that allows the display to “wake up” when it receives an active signal via its HDMI, DisplayPort or DVI inputs. WOD is turned off by default. To turn WOD on, select “**Advanced Settings**”/ “**WOD Mode**”/ “**ON**” in the OSD menu.

1. **WOD On** - The monitor will wake up from power saving mode when it receives a video signal via its VGA, DisplayPort, DVI or HDMI inputs.
2. **WOD Off** - The monitor will wake up from power saving mode only when it receives a video signal via its VGA input.



## Default Settings

Item	Default
Power switch	Off
Scheme	User
Brightness	50
Sharpness	12
Back light	80
Contrast	50
Color Temp.	9300K
Source Auto Detection	Off
OSD Language	English
Auto	Off
WOD Mode	Off
Smart light control	Off
IRFM	Off
Baud rate	115200

# Connecting the Touch Sensor (INT65ABHa Only)

## Supported Operating Systems

The touch system in the INT65ABHa touch monitor is supported natively (no drivers required) by Windows XP, Windows Vista, Windows 7, Mac OS X (version 10.4 and above), and Linux (version 2.6 and above).

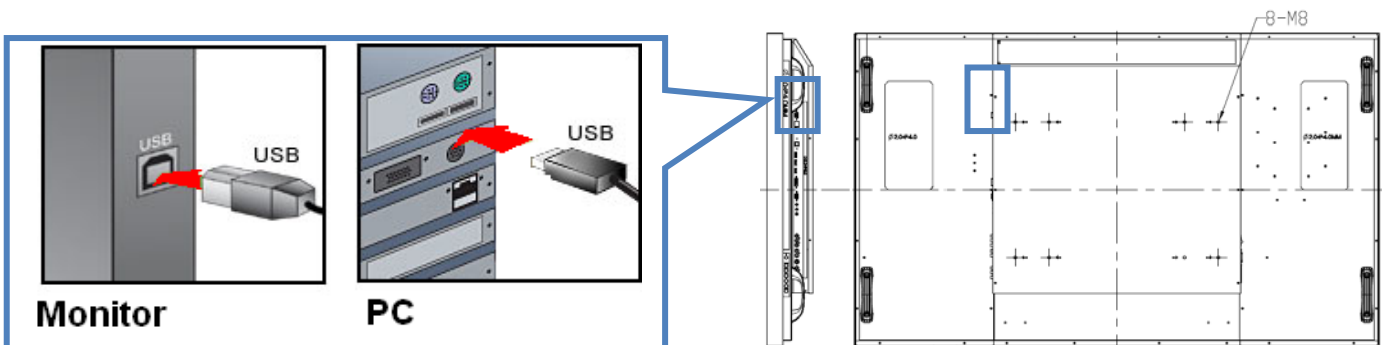
The table below lists the functionality supported by each operating system. At the time of this writing, Win7 Gestures (often referred to as multi-touch) are only supported by Windows 7.

	Win7 <sup>5</sup>	Win 7 <sup>4</sup>	Vista	XP	Mac OSX	Linux
Default Mouse <sup>1</sup>	✓	✓	✓	✓	✓	✓
Digitizer <sup>2</sup>	✓	✓	✓	✗	✗	✗
Win7 Gestures <sup>3</sup>	✓	✗	✗	✗	✗	✗

1. Default mouse (click, drag, double-click and right-click)
2. Touch digitizer(click, drag/selection, double-click, right-click, flick and visual feedback)
3. Digitizer with Windows 7 multi-touch gestures
4. Windows 7 - Starter and Home Basic version
5. Windows 7 - Home Premium, Professional, Enterprise and Ultimate versions

## Connecting the Touch Monitor to a Computer

1. First, connect the computer's graphics output (DisplayPort, HDMI, DVI or VGA) to the corresponding input connector on the monitor and turn the monitor on (see page 17).
2. Select the corresponding input source using the monitor's remote control or keypad (see page 24).
3. Connect one side of a Type-B USB cable to the USB port on the monitor, as illustrated below.
4. Connect the other side of USB cable to the USB port on computer.
5. Ensure the computer is turned on.
6. After the USB cable connected and the computer is turned on, allow approximately 5-30 seconds for the computer to recognize the touch monitor and for the touch screen to become operational. Test the touch screen using a finger, pen, or any other pointer.



**Note:** The INT65ABHa touch monitor is designed for landscape OR portrait mode, NOT both. Do NOT rotate a touch monitor designed for landscape into the portrait orientation, or vice versa.

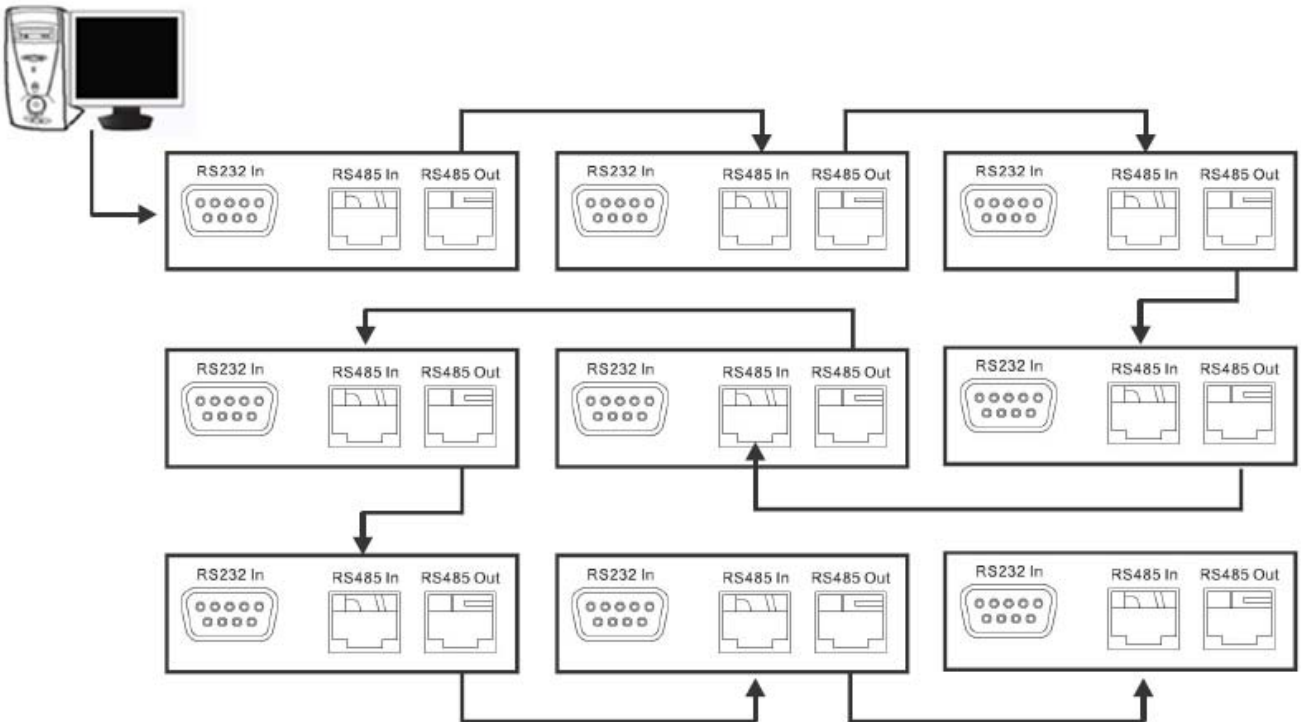
# Controlling One or Several Monitors using RS-232

## Overview

All monitor functions that can be controlled using via the on-screen display (OSD) can also be controlled via the INX/T/F65ABHa's RS-232 serial interface. The monitor can also be turned on and off using the RS-232 interface. For a full list of RS-232 commands, consult your sales representative or service technician.

## Connecting Multiple Monitors to a Single RS-232 Controller

Multiple INX/T/F65ABHa monitors can be controlled by a single RS-232 controller by connecting them together in a "daisy-chain" configuration. To do so, connect the RS485 Output of the first monitor to the RS485 Input of the second monitor, and so forth, as shown in the illustration below. The maximum number of devices that can be simultaneously controlled with a single RS-232 controller is 25.



# Supported Timings

Timing		fH (kHz)	fV (Hz)	Dot clock (MHz)	HDMI	PC	Component	S-Video	Composite	DVI	DisplayPort	
VESA	VGA 640x480	31.469	59.94	25.175	0	0	-	-	-	0	0	
		37.861	72.809	31.5	0	0	-	-	-	0	0	
		37.5	75	31.5	0	0	-	-	-	0	0	
		43.269	85.008	36	0	0	-	-	-	0	0	
	SVGA 800x600	35.156	56.25	36	0	0	-	-	-	0	0	
		37.879	60.317	40	0	0	-	-	-	0	0	
		48.077	72.188	50	0	0	-	-	-	0	0	
		46.875	75	49.5	0	0	-	-	-	0	0	
	XGA 1024x768	53.674	85.06	56.25	0	0	-	-	-	0	0	
		48.363	60.004	65	0	0	-	-	-	0	0	
		56.476	70.069	75	0	0	-	-	-	0	0	
		60.023	75.029	78.75	0	0	-	-	-	0	0	
	WXGA1360x768	68.677	84.997	94.5	0	0	-	-	-	0	0	
		47.712	60.015	85.5	0	0	-	-	-	0	0	
	1280 x 720	44.444	59.98	64	0	0	-	-	-	0	0	
		44.772	59.86	74.5	0	0	-	-	-	0	0	
		56.456	74.78	95.75	0	0	-	-	-	0	0	
	1280 x 768	47.776	59.87	79.5	0	0	-	-	-	0	0	
		47.396	59.995	68.25	0	0	-	-	-	0	0	
		68.633	84.837	117.5	0	0	-	-	-	0	0	
	1280 x 800	49.306	59.91	71	0	0	-	-	-	0	0	
		49.702	59.81	83	0	0	-	-	-	0	0	
	SXGA	1152x864	67.5	75	108	0	0	-	-	-	0	0
			63.981	60.02	108	0	0	-	-	-	0	0
		1280x1024	79.976	75.025	135	0	0	-	-	-	0	0
	91.146		85.024	157.5	0	0	-	-	-	0	0	
	SXGA+	1400 x 1050	64.744	59.95	101	0	0	-	-	-	0	0
			65.317	59.98	121.75	0	0	-	-	-	0	0
1440 x 900	55.469	59.901	88.75	0	0	-	-	-	0	0		
	55.935	59.88	106.5	0	0	-	-	-	0	0		
WSXGA+ 1680 x1050	64.674	59.883	119	0	0	-	-	-	0	0		
	65.29	59.954	146.25	0	0	-	-	-	0	0		
UXGA 1600 x 1200	75	60	162	0	0	-	-	-	0	0		
	1920 x 1080	66.587	59.93	138.5	0	0	-	-	-	0	0	
SDTV	NTSC	15.734	29.97	13.5	-	-	480i	0	0	-	-	
	PAL	15.625	25	13.5	-	-	576i	0	0	-	-	
EDTV	480p	31.5	60	27.03	0	-	0	-	-	0	0	
	576p	31.25	50	27	0	-	0	-	-	0	0	
HDTV	720p 1280x720	37.5	50	74.25	0	-	0	-	-	0	0	
		44.995	59.94	74.176	0	-	0	-	-	0	0	
		45	60	74.25	0	-	0	-	-	0	0	
	1080i 1920x1080	28.13	50	74.25	0	-	0	-	-	0	0	
		33.716	59.94	74.176	0	-	0	-	-	0	0	
		33.75	60	74.25	0	-	0	-	-	0	0	
	1080p 1920x1080	27	24	74.25	0	-	-	-	-	-	-	0
		28.125	25	74.25	-	-	-	-	-	-	-	-
		33.716	29	74.18	-	-	-	-	-	-	-	-
		33.75	30	74.25	-	-	-	-	-	-	-	-
		56.25	50	148.5	0	-	0	-	-	0	0	
		67.433	59.94	148.352	0	-	0	-	-	0	0	
67.5	60	148.5	0	-	0	-	-	0	0			

480i means supported 480i @ 60Hz (YPbPr).  
576i means supported 576i @ 50Hz (YPbPr)



# Specifications

Item		Specification		
MODEL		INX65ABHa	INT65ABHa	INF65ABHa
LCD panel	Resolution	1920 x 1080 (HD monitor format)		
	Brightness	450 cd/m <sup>2</sup>	315 cd/m <sup>2</sup>	450 cd/m <sup>2</sup>
	Contrast Ratio	4000 : 1	2800 : 1	4000 : 1
	Response time (GTG)	10 ms		
	Aspect Ratio	16:9		
	Horizontal Sync.	Positive / Negative		
	Vertical Sync.	Positive / Negative		
	Connectors	DisplayPort/HDMIx2/VGA/DVI/PC /PC Audio in / IR Extender //Line Out / Component (w/audio) / S-V / VIDEO (w/audio)		
Scan Rate	Source	Digital	Analog	
	Horizontal	15 ~ 94	23 ~ 92	
	Vertical	23 ~ 85	49 ~ 86	
Performance	Auto Adjust	Clock, Phase, H-Position and V-Position		
	Screen Scaling	VGA/SVGA/XGA/WXGA/HD monitor Full Screen Display, WUXGA		
	Power Management	VESA DPMS, DVI DMPM, Energy Star		
	OSD Language	English and Chinese		
Power Source	Power Input	AC 100V~240V		
Power Consumption	Operation Mode	≤475W		
	Power Saving Mode	≤1W		
	Input Frequency Range	50 - 60 Hz		
	Rated Input Volt	AC 100-240V		
Physical	Dimension (W×H×D) mm	1550.6x925x135.8	1550.6x925x152.4	1546.4x920.4x134.6
	Net Weight	59.2	74.7	46.0
	Gross Weight w/ packing	68.5	84.0	55.3
Environment	Storage Temperature	Min -20°C ~ Max 60°C		
	Operating Temperature	Min 5°C ~ Max 35°C		
	Humidity	90% RH @40°C		
Function	Plug and Play	DDC 2B Compliance		
	Communication	D-Sub 9-pin / RJ-45 (Ethernet)		
	OSD key	7 keys (⏻, SOURCE, ▶, ◀, ▲, ▼, MENU/EXIT)		
	Wall mount	400x200mm VESA standard		
	Speaker	Input 1Vp-p, Output: 10W/4Ω x2		

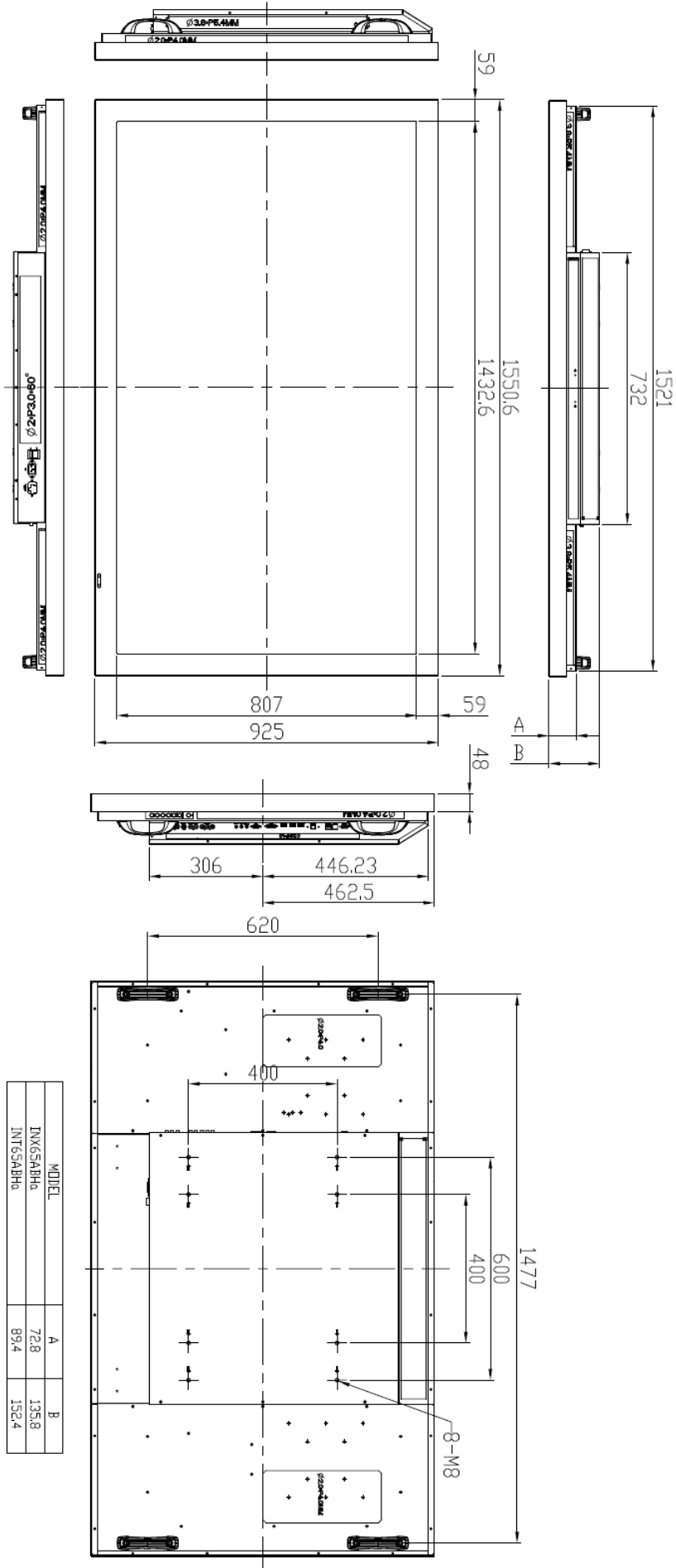
# Troubleshooting

Before calling service personnel, please check the following chart for a possible cause to the trouble you are experiencing.

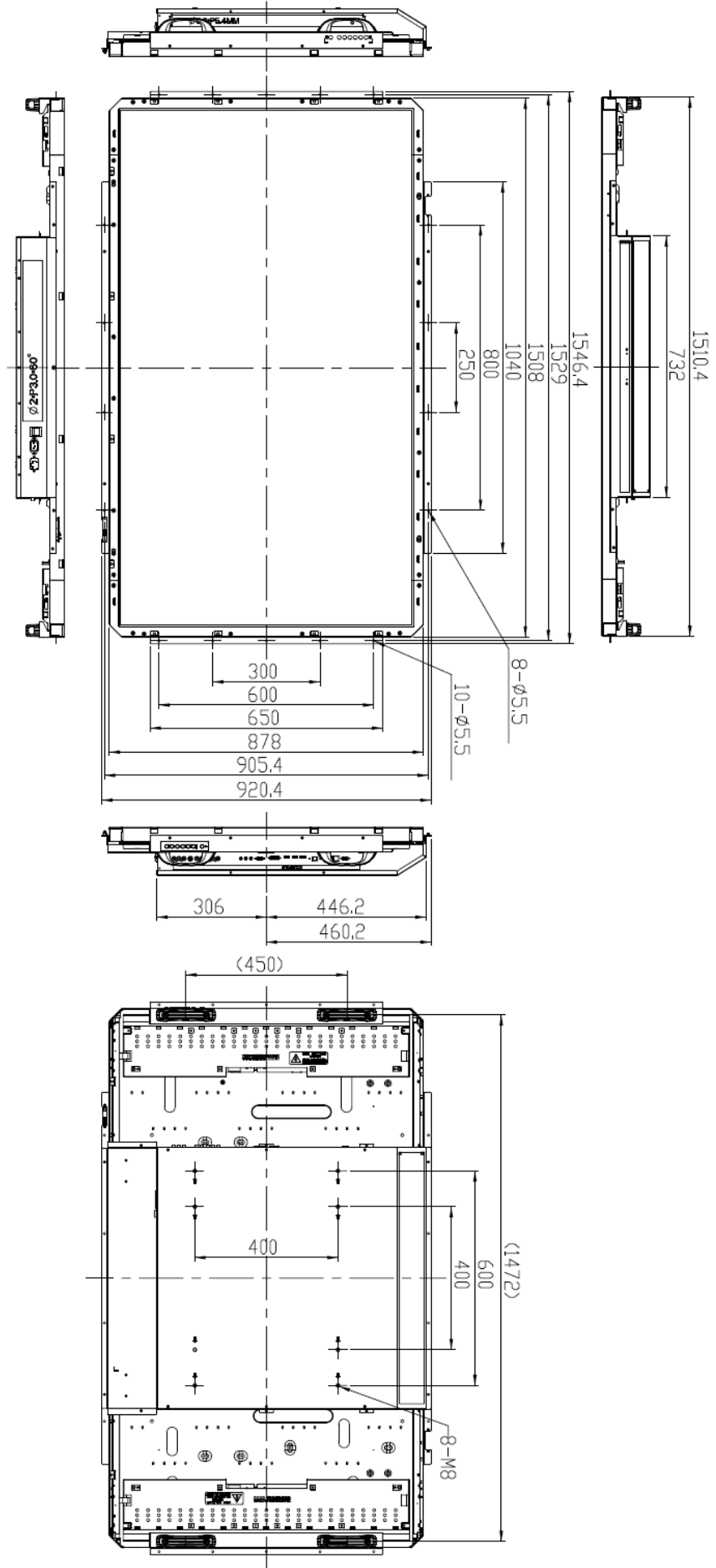
- Perform the adjustments according to page 13 “Operation The Monitor”
- If the problem you have experienced isn’t described below or you can’t correct the problem, stop using the monitor and call service personnel or your dealer.

<b>Problem</b>	<b>Check these things</b>
No Display	Ensure the power plug is installed correctly on both ends. Check the main power switch is set to “—“ Check that source equipment is operating correctly. Check the input signal is compatible with this display.
The image is not centered	Check the input signal is compatible with this display.
The image is not locked correctly	Check the input signal is compatible with this display.
The remote control doesn’t work	Make sure the batteries fresh and are installed correctly. Ensure the remote is aimed at the IR sensor on the front of the display
The picture color looks poor	Check the picture settings. Reset the display. If you are using YUV terminals, make sure cables are correctly connected.
Touch no function	Ensure the USB cable is installed correctly on both ends.
Touch out of focus	Redo the touch calibration process. Check the calibration program version; it should meet the OS system requirement. Check if the Landscape touch is using in Landscape mode; and portrait touch is using at a portrait mode.
Touch Calibration doesn’t work	Ensure the Microsoft .NET Framework 4 is installed. Check the touch calibration program version; it should meet the OS system requirement.

# Dimensions (INX65ABHa and INT65ABHa)



# Dimensions (INF65ABHa)



# Compliance

## **FCC Compliance Statement:**

This equipment has been tested and found to comply with the limits for a Class A digital device, pursuant to part 15 of the FCC Rules. These limits are designed to provide reasonable protection against harmful interference when the equipment is operated in a commercial environment. This equipment generates, uses, and can radiate radio frequency energy and, if not installed and used in accordance with the instruction manual, may cause harmful interference to radio communications. Operation of this equipment in a residential area is likely to cause harmful interference in which case the user will be required to correct the interference at their own expense.

## **Warning**

This is a Class A product. In a domestic environment this product may cause radio interference in which case the user may be required to take adequate measures.

This device complies with Part 15 of the FCC Rules. Operation is subject to the following two conditions:

- (1) this device may not cause harmful interference, and

CE

EN 55022 \ EN 61000-3-2 \ EN-61000-3-3

EN 55024 \ IEC61000-4

EN 60950 [Low-Voltage Directive (73/23/EEC)]

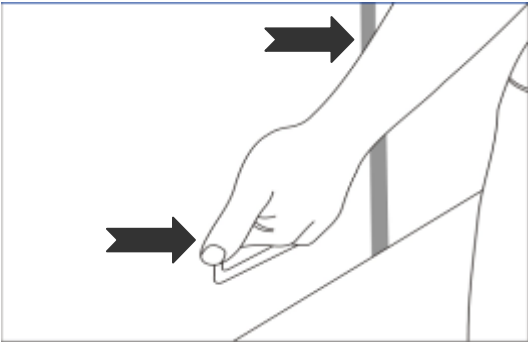
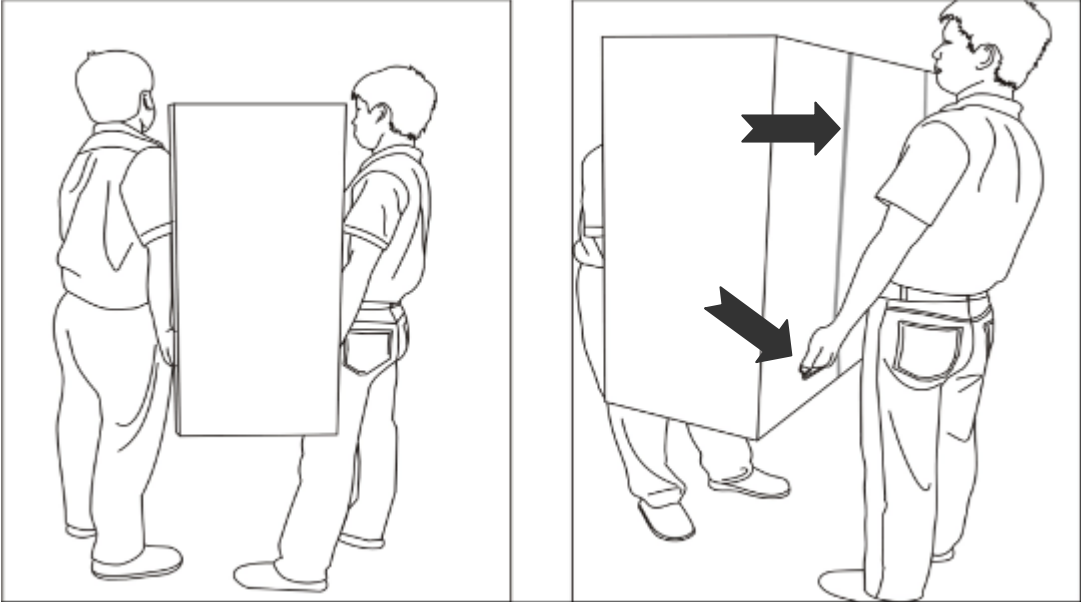
\*Related certifications are available only on INX65ABHa and INT65ABHa models.

# CHILIN SOLUTIONS

# Appendix I: Moving and Carrying Notice

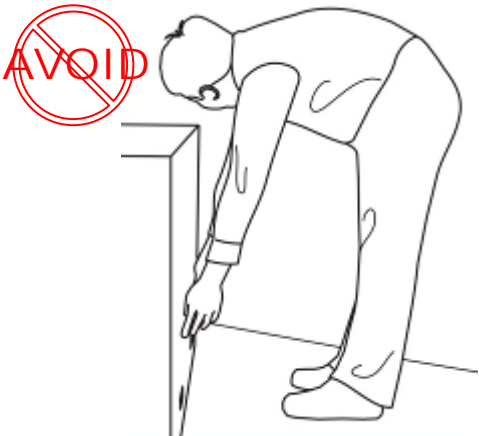
## Moving the Monitor:

Moving the monitor requires at least two people. Attempting to move the monitor with one person may result in dropping the monitor and/or serious injury. When moving a monitor in its shipping carton, lift the carton using the white handles.



## Carrying the monitor:

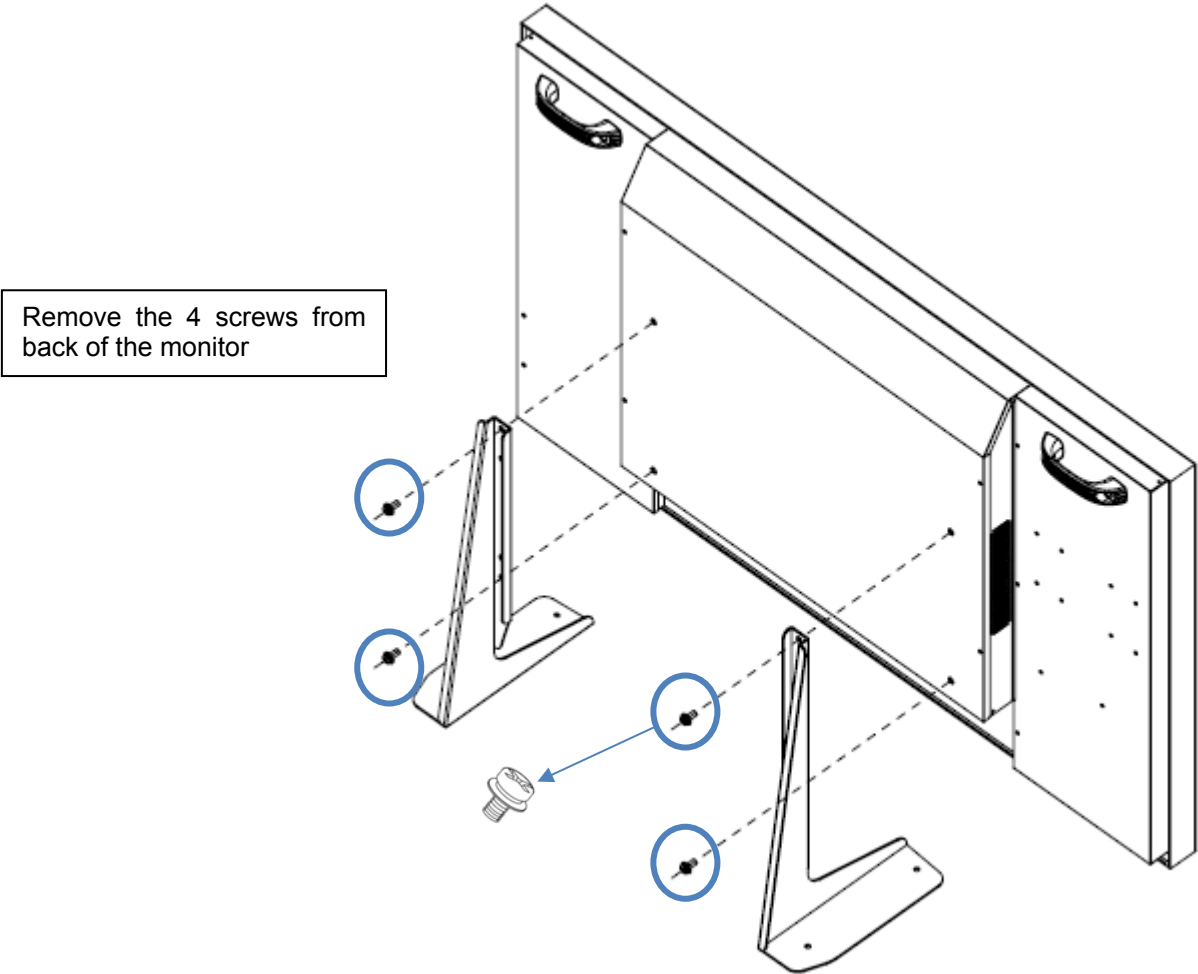
This monitor is heavy; please follow proper lifting technique, as pictured below. Failure to do so may cause injury.



# Appendix II: Installing Stands or Wall Mount

## Installing the table stand kit:

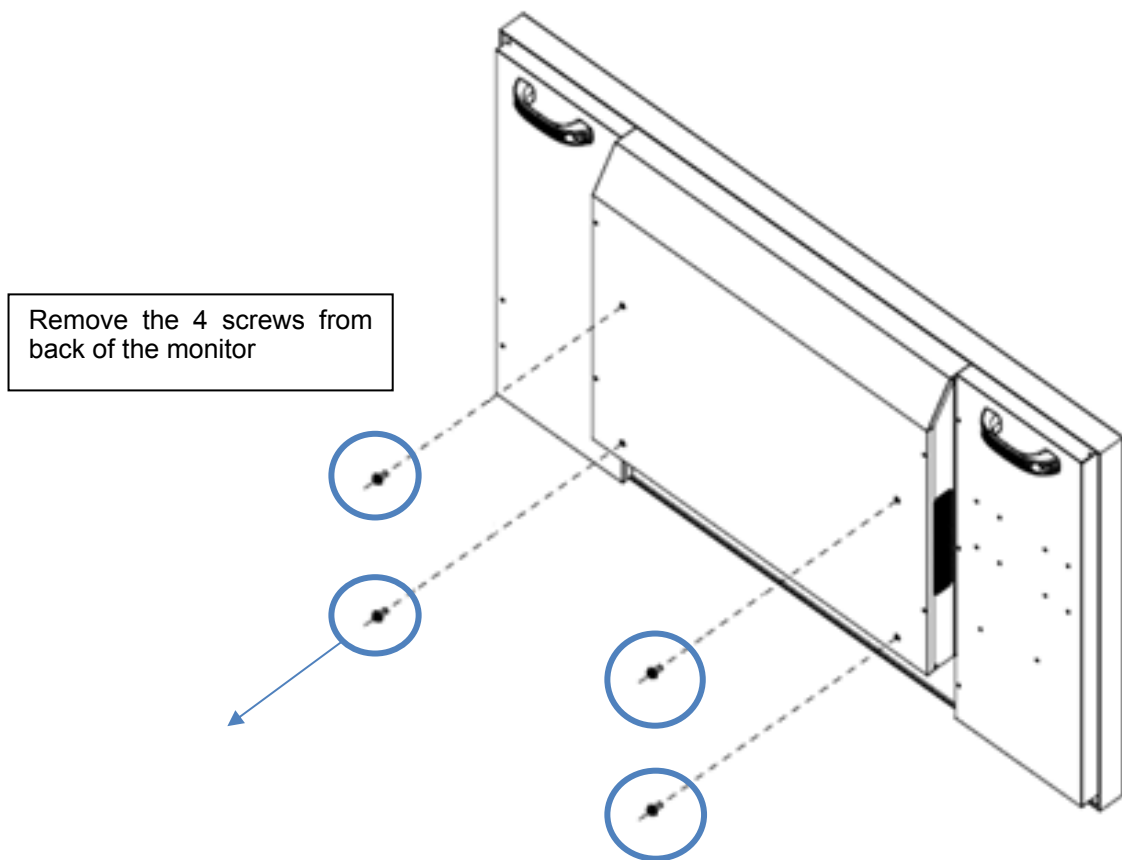
1. Place the monitor (LCD screen face down) on a flat, stable surface, which has been covered with a soft cloth. This will help prevent the monitor from being scratched.
2. Remove the (4) M8 X 15 mm screws from the back of the monitor.
3. Align the stand brackets with the mounting holes and attach the brackets to the monitor using the screws removed in Step 2.
4. **Caution: Do not use screws longer than 15 mm to attach the table stand.** Longer screws will damage the monitor.



Maximum screw length: 15 mm/0.59 inches  
Screw thread: M8 (8 mm metric)

## Installing the wall mount kit:

- Follow the manual instructions for the type of mount you have selected. Refer all servicing to qualified service personnel.
  - Moving the monitor requires at least two people.
  - Before installing, please make sure the wall is strong enough to hold the necessary weight of the display and the mount.
1. Place the monitor (LCD screen face down) on a flat, stable surface, which has been covered with a soft cloth. This will help prevent the monitor from being scratched.
  2. Remove the (4) M8 X 15 mm screws from the back of the monitor.
  3. Align the wall brackets with the mounting holes and attach the brackets to the monitor using the screws removed in Step 2.
  4. **Caution: Do not use screws longer than 15 mm to attach the table stand.** Longer screws will damage the monitor.



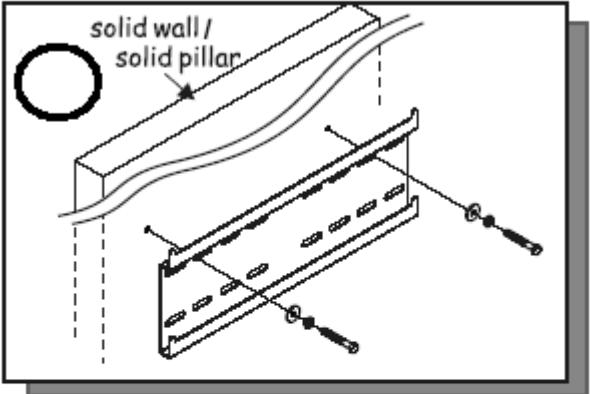
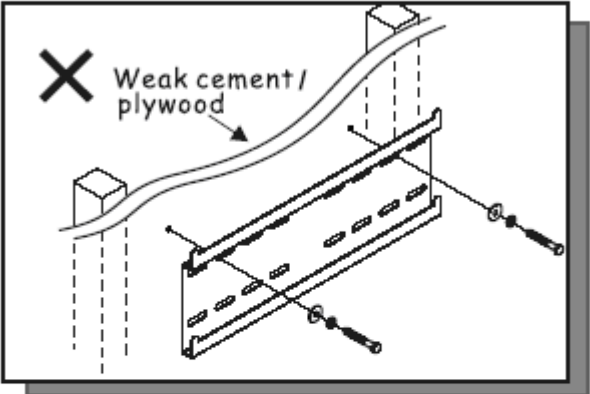
Maximum screw length: 15 mm/0.59 inches

Screw thread: M8 (8 mm metric)

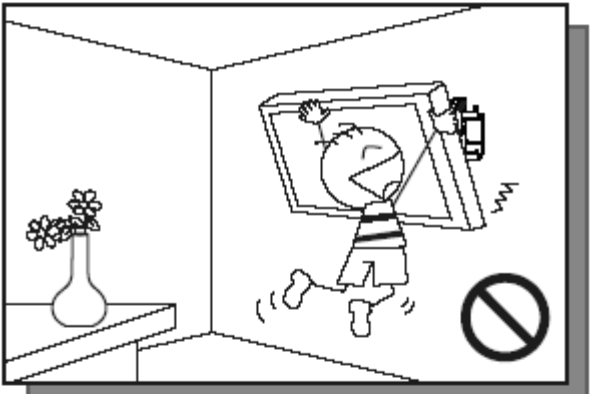
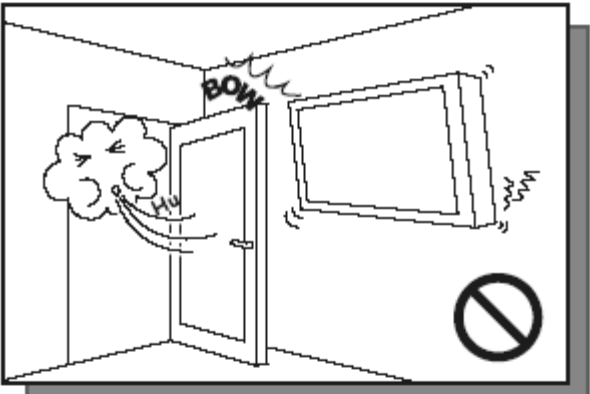


# Appendix III: Wall Mount Safety Notes

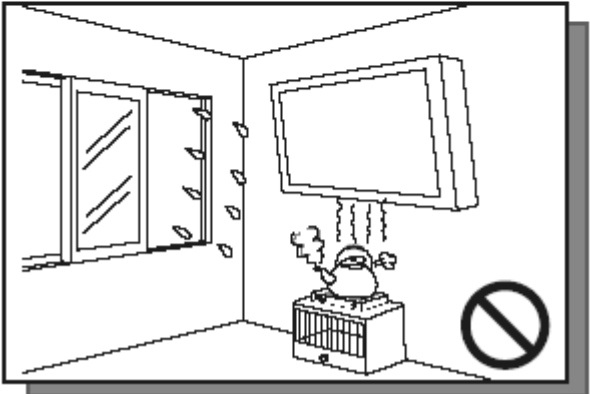
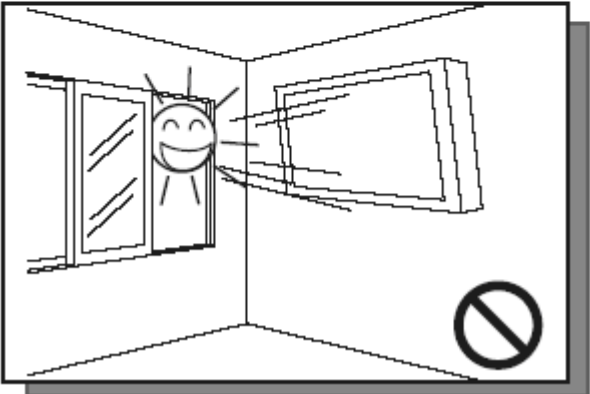
**1.** Please make sure if the bracket is fixed to the solid wall / solid pillar for fear of falling due to heavy weight.



**2.** After assembling, please don't pull or shake violently.

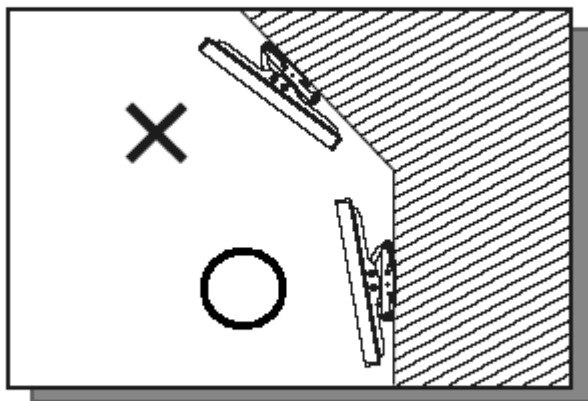
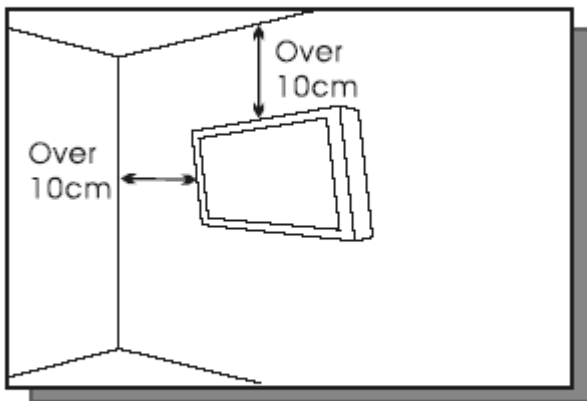


**3.** Please don't install the bracket directly under the sunshine or humidity / high temperature places for fear that the quality is effected.



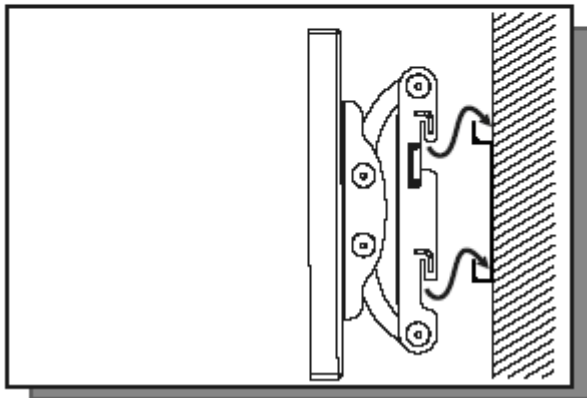
**4.**

Installing the brakcet over 10 cm from each wall side and being vertical to the ground is the suggested installing position.



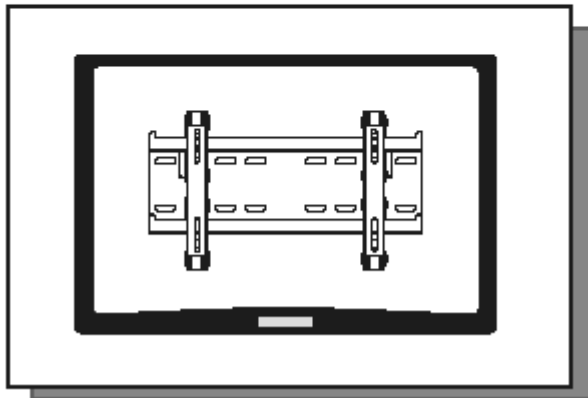
**5.**

Please make sure to hang on the mounting hooks firmly.



**6.**

The flat screen must be put in the mid of the bracket for fear of slope.



# Appendix IV: Controlling the Monitor through Ethernet

## Overview

To control the monitor via an Ethernet (LAN) connection, the following steps need to be performed:

1. Check whether you monitor has the Ethernet option installed
2. Assign an IP address to the monitor
3. Connect the monitor to the local area network (LAN)
4. Install the VCOM LAN driver on a Windows PC
5. Use the Windows PC to control the monitor

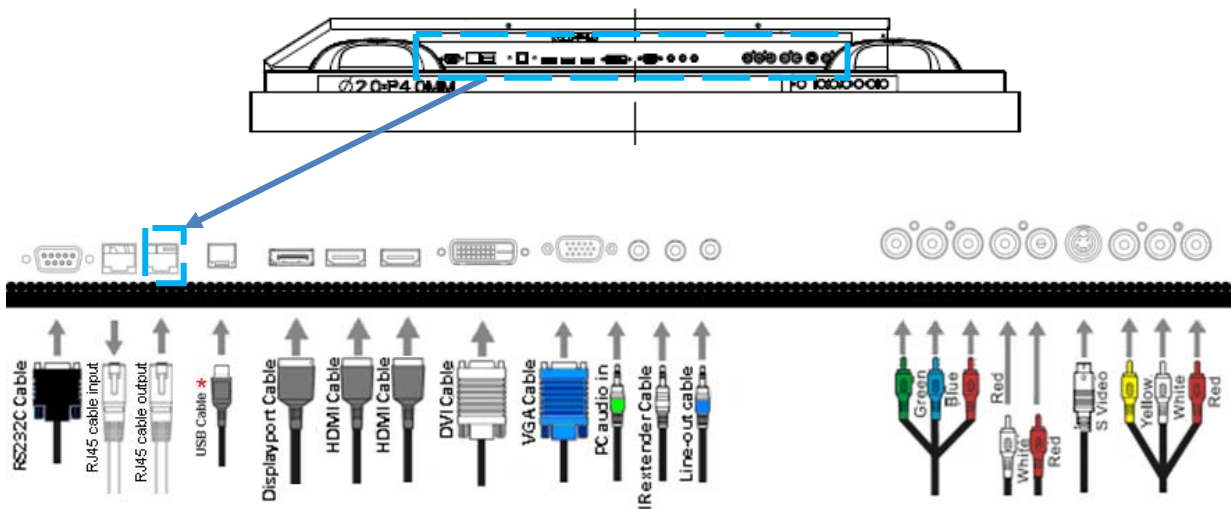
**Note:** Controlling the monitor through Ethernet is recommended for experienced users only. Technical knowledge of your local area network (LAN) and/or assistance from your system administrator may be required.

## Locating the LAN Connector on your Monitor

The INX/T/F65ABHa can optionally be equipped with a RJ45 Ethernet port that can be used to control the monitor via a local area network (LAN).

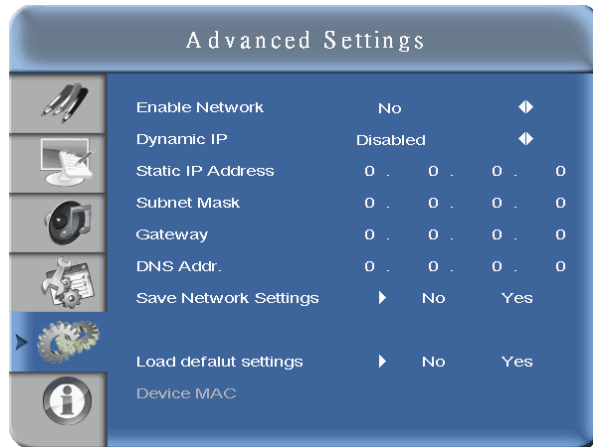
To determine whether you monitor is equipped with this option, check the connector panel in the rear of the monitor, as illustrated below.

1. If the RJ45 connector (as indicated with the arrow) is marked “LAN”, then the Ethernet option is installed.
2. If there are two RJ45 connectors marked “RS485 IN” and “RS485 OUT”, then the Ethernet option is **NOT** installed.



# Assigning an IP Address to the Monitor

To assign an IP address to your monitor, access the Network Settings Menu under **Advanced Settings** -> **Ethernet Setup** (page 41). Consult your system administrator if you do not know how to configure the parameters shown in the menu. Select **“Save Network Settings”** to save the desired settings.

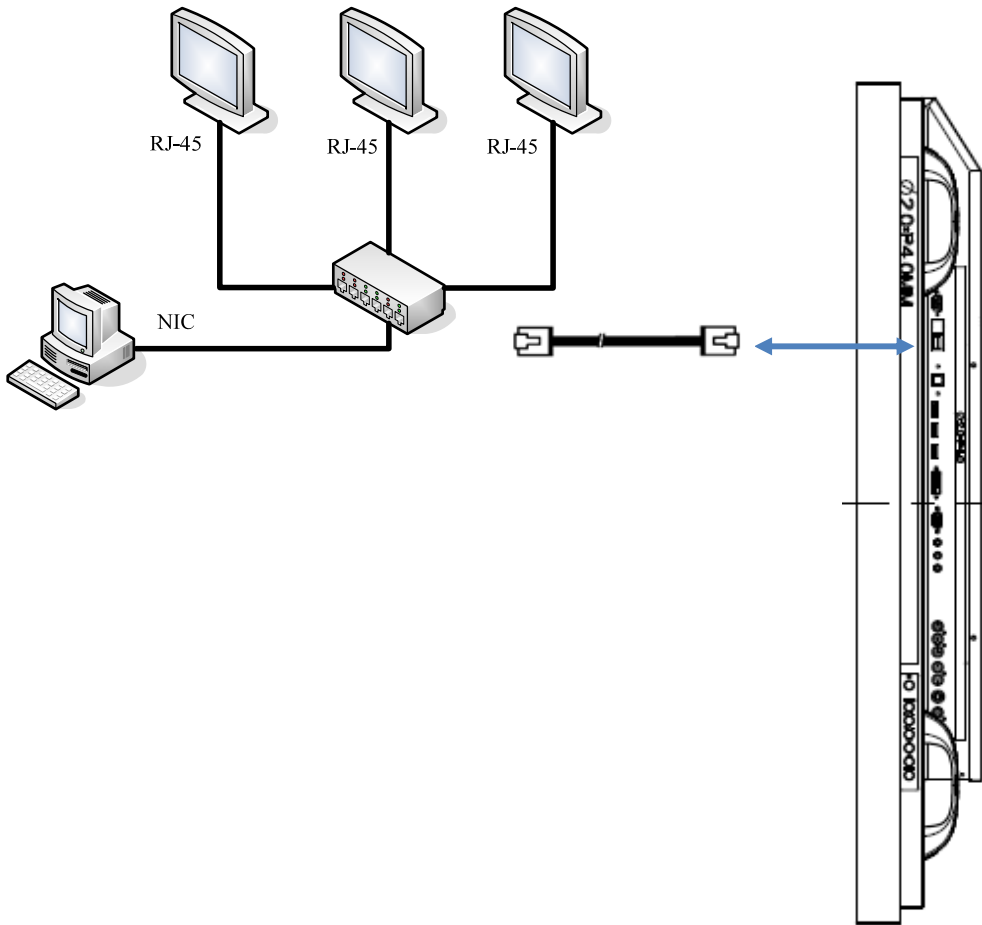


The default settings are shown below.

Item	Setting
DHCP	Disable
IP ADDRESS	192.168.2.1
SUBNET MASK	255.255.255.0
DEFAULT GATEWAY	192.168.2.1
DNS Addr.	192.168.2.1

## Connecting the Monitor to the Network

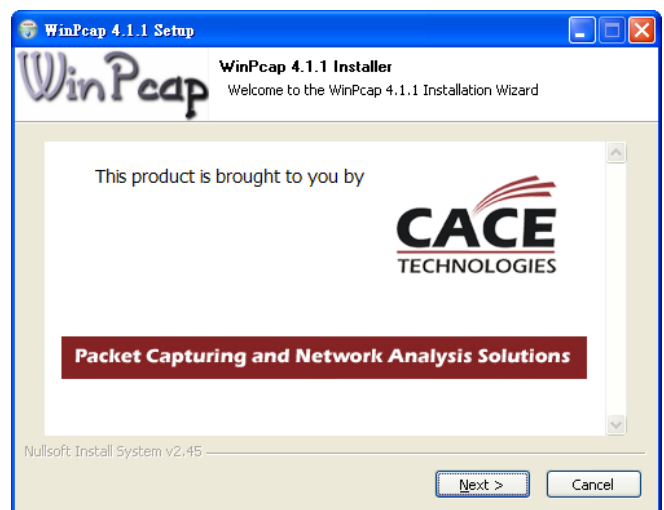
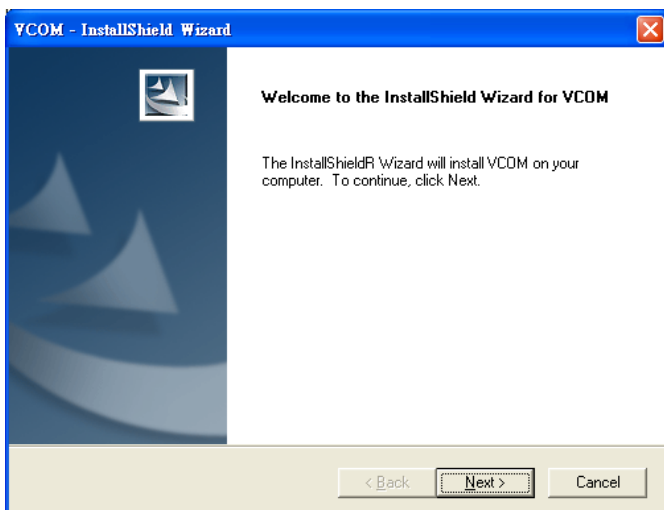
One or several INX/T/F65ABHa monitors can be connected to the network using standard RJ45 network cables. Connect the LAN port on the monitor to an active RJ45 port on your network.



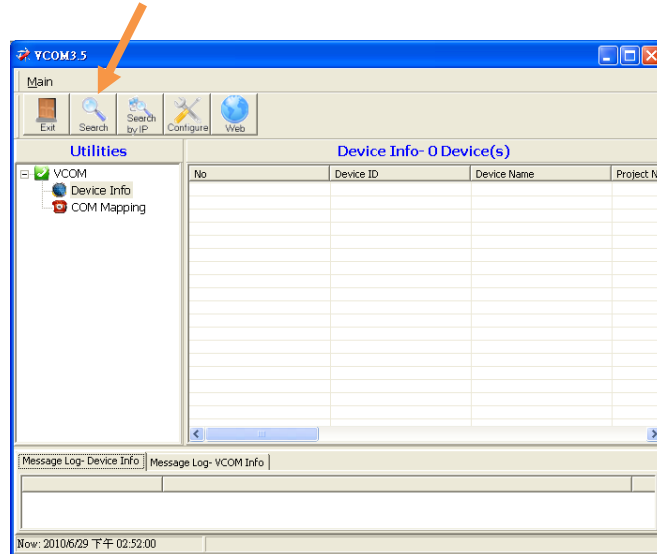
## Installing the VCOM Driver

The virtual COM port driver simulates a serial interface on a PC. The data sent to this serial interface from any kind of application are forwarded to a connected INX/T/F65ABHa monitor via a TCP/IP connection.

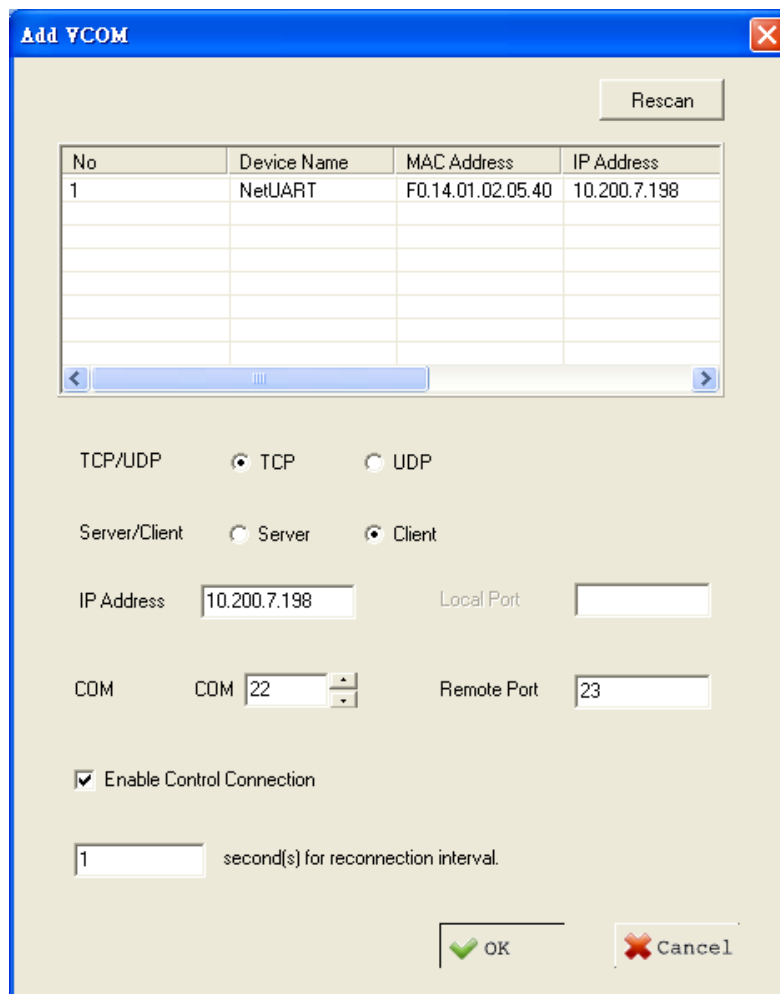
The client PC used to control the monitors must be connected to the network and must be running Windows 2000, XP, Vista or 7. Install the VCOM driver located on the enclosed CD-ROM. A "VCOM" icon will show on the desktop, indicating that the installation process is completed.



To assign virtual RS-232 serial (COM) ports to each monitor on the network, launch the VCOM application and press “Search”.



The monitor(s) connected to the network should appear as devices in the VCOM screen. Assign the designed COM value to each device and press “OK” to complete.



Once this process is complete, the client computer can control the monitor(s) using RS-232 commands sent to the virtual COM port assigned to each monitor. No physical RS-232 connection is required.

