

SINGER
111W155

Form 3039w
(351)

Printed in U. S. A.

HISTORICAL COPY

DO NOT REMOVE

**LIST
OF
PARTS**



SINGER**

MACHINE No. IIIwI55

THE SINGER MANUFACTURING COMPANY

**A Trade Mark of THE SINGER MANUFACTURING COMPANY

INSTRUCTIONS FOR OILING

To ensure easy running and prevent unnecessary wear of the parts which are in movable contact, the machine requires oiling and when in continuous use, "TYPE B" or "TYPE D" OIL, sold by Singer Sewing Machine Company, should be applied at least twice each day to all oil holes marked "OIL", as instructed in Form 2663w.

"TYPE D" OIL should be used when an oil is desired which will produce a minimum of stain on fabrics, even after a long period of storage.

To insure satisfactory results, "TYPE E" Thread Lubricant, sold by Singer Sewing Machine Company, should be used in the thread lubricator which is attached to the top of the machine.

Copyright, U. S. A., 1938, 1940, 1946, 1950 and 1951
by The Singer Manufacturing Company
All Rights Reserved for all Countries

INDEX

	PAGE
ACCESSORIES	13
BOBBIN WINDERS	13 & 15
FEED DOGS	15
FOOT LIFTER	16
KNEE LIFTER	14
MACHINE No. 111w155	5
MISCELLANEOUS PARTS	18
NUMERICAL LIST OF PARTS	19
PRESSER FEET	16
THREAD LUBRICATOR	14
THREAD UNWINDER	17
THROAT PLATES	17

INSTRUCTIONS FOR ORDERING

In ordering from this list, use ONLY the PART number in the FIRST column.

The number stamped on a Sewing Machine Part is the number of the Single Part only, except when the part includes Set Screws, Clamping Screws, Studs and Rollers Spun on, Small Wires riveted, or Parts soldered together, etc., which it is necessary to furnish in combination.

Every combination of parts sent out has its specific number which, although not stamped on Parts (except in above case), must be used when ordering the combination.

Each number always indicates the SAME PART in whatever list it appears, or for whatever Machine.

The letters after some of the numbers indicate the style of finish only, as follows:

- A Hardened, Polished, Nickel Plated and Buffed.
- AL Heat Treated for Toughness.
- B Polished, Nickel Plated and Buffed.
- C Hardened only.
- D Polished only.
- E Soft, Not polished.
- F Hardened and Polished.
- H Blued.
- J Nickel Plated only.
- R Merlized.
- X Black Oxide, for Iron and Steel.
- XC Hardened and Black Oxide, for Iron and Steel.
- Y Black Nickel Plated only.
- Z Chromium Plated.

These letters MUST BE USED when they appear in the list and AFTER the number, as in the list.

In this series

1 to 1500, 200001 to 201500 and 350001 to 351500 are Screw Numbers.
1501 to 1800, 201501 to 201800 and 351501 to 351800 are Nut Numbers.
1801 to 2000, 201801 to 202000 and 351801 to 352000 are Roller Numbers.
2001 to 50000 and 202001 to 350000 are Numbers of Machine Parts.

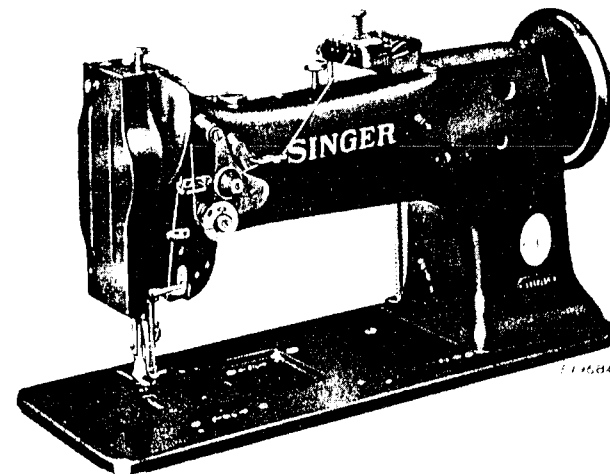
The figures in the second column refer only to the plate in which the illustration of the part is shown and are NOT TO BE USED in ordering.

Two or more numbers over a cut indicate that the difference between such parts is not visible in an illustration.

Parts marked with an asterisk (*) are furnished only when repairs are made at the factory.

LIST OF PARTS COMPLETE

FOR



MACHINE No. IIIw155

HIGH SPEED. KNEE LIFTER.

COMPOUND FEED. ALTERNATING PRESSERS.

POSITIVE STITCH REGULATION

SAFETY CLUTCH

FOR AUTOMOBILE WORK, TENTS, AWNINGS,

FURNITURE UPHOLSTERING, LEATHER COATS, ETC.

No.	Plate	Name
*240247	-----	Arm with 202135
224002	16686	" Cap
200278H	16686	" " Screw
202248	16686	" " Washer
204235	16695	" Position Pin (2)
200004E	16695	" Screw (3)
202005	16695	" " Washer (3)
240553	16686	" Shaft with 224392 and 350431E
249440	16686	" " Ball Bearing
*240054	16686	" " " " Collar with two 200378C
240055	16686	Arm Shaft Ball Bearing Collar 240054 with 249440
200378C	16686	Arm Shaft Ball Bearing Collar Set Screw
*240056	16686	" " " " Retaining Washer
*240053	16686	" " Bushing (back)

No.	Plate	Name
200335C	16686	Arm Shaft Bushing (back) Set Screw
240057	16686	Arm Shaft Bushing (back) (ball bearing) complete, Nos. 240053, 240055 and 240056
263096	16686	Arm Shaft Bushing (front) with 223817
223847	16686	" " " " Oil Packing (wick)
200502H	16686	" " " " " " Thumb Screw
204329	16686	Arm Shaft Bushing (front) Oil Pad
200338C	16686	" " " " Set Screw
224195	16604	" " Connection Belt
224104	16604	" " " " Pulley with 200327C, 200602C and two 202253
200602C	16604	Arm Shaft Connection Belt Pulley Position Screw
200327C	16604	Arm Shaft Connection Belt Pulley Set Screw
202253	16604	" " " " " Spring Flange
224139	16689	Arm Shaft Connection Belt Timing Plate
200164B	16689	" " " " " " Screw (2)
224392	16686	Arm Shaft Oil Packing (wick)
350431E	16686	" " " " Stop Screw
240452	16686	Balance Wheel (disc) "V" belt groove (outside diam. of belt groove 3.268 in.) with 201346C and 350107C
350419H	16686	Balance Wheel Adjusting Screw
350107C	16686	" " Position Screw
201346C	16686	" " Set Screw
*240511	-----	Bed
255168	16689	" Oil Cup (4)
240003	16695	" Slide (back)
223811	16695	" " " Stop
223812	16695	" " " " Spring
240004	16695	" " (front)
203470	16687	Bobbin
*233764	-----	" Case
203648	16687	" " Latch
*202056	-----	" " Pin
203473	16687	" " Plunger
203474	16687	" " Spring
241674	16687	" " Oiling Felt
241675	16687	" " Retainer
350405C	16687	" " " " Screw
224004	16688	" " Opener
224005	16688	" " Lever with 201349C, 201542C and 203101
201349C	16688	Bobbin Case Opener Lever Driving Screw Stud
201542C	16688	Bobbin Case Opener Lever Driving Screw Stud Nut
203101	16688	Bobbin Case Opener Lever Driving Screw Stud Oil Packing (wick)
265088	16688	Bobbin Case Opener Lever Hinge Stud with 202277
202277	16688	Bobbin Case Opener Lever Hinge Stud Oil Packing (wick)

No.	Plate	Name
200364C	16688	Bobbin Case Opener Lever Hinge Stud Set Screw
223623	16688	Bobbin Case Opener Lever Link
200118D	16688	" " " Screw
203214	16687	" " Tension Spring
200984C	16687	" " " " Regulating Screw
200594C	16687	" " " " Screw
203216	16687	" " Washer (cloth)
233765	16687	Bobbin Case complete, Nos. 200594C, 200984C, 202056, 203214, 203216, 203473, 203474, 203648, 233764, 241674, 241675 and two 350405C
240104	16695	Face Plate
202135	16695	" " Position Pin
200473H	16695	" " Thumb Screw
240223	16690	Feed Bar
240224	16690	" " 240223 with 224052, 225837 and 350197E
350393C	16690	Feed Bar Hinge Screw (driving)
201518E	16690	" " " " Nut
264510	16690	" Dog, 40 elongated needle hole, for needle sizes 23 and 24, for 240144
200106E	16690	Feed Dog Screw (2)
240225	16689	" Driving Connection with 240226 and 240227
201181C	16689	Feed Driving Connection Hinge Screw
201518E	16689	" " " " Nut
240226	16689	" " " Oiling Felt
240227	16689	" " " " "
		Retaining Wire
240228	16690	Feed Driving Crank with 200019E
200019E	16690	" " " Pinch Screw
240554	16689	" " Eccentric
240555	16689	" " " Adjusting Disc
248415	16689	" " " " Spring
248416	16689	" " " " " "
		Collar with two 200382C
200382C	16689	Feed Driving Eccentric Adjusting Disc Spring Collar Set Screw
240231	16689	Feed Driving Eccentric Friction Gib
200369C	16689	" " " " " Adjusting Screw
350101AL	16689	Feed Driving Eccentric Friction Gib Adjusting Screw Set Screw
240232	16689	Feed Driving Flange with 200333C, 200346C, two each 200369C and 350101AL
200333C	16689	Feed Driving Flange Position Screw
200346C	16689	" " " Set Screw
223650	16690	" " Rock Shaft
240233	16690	" " " " 223650 with 201518E, 240224 and 350393C
248420	16690	Feed Driving Rock Shaft Bushing (left) (split)
200347C	16690	" " " " " Pinch Screw
201007C	16690	Feed Driving Rock Shaft Bushing (left) Pinch Screw Set Screw

No.	Plate	Name
244084	16690	Feed Driving Rock Shaft Bushing (left) Pinch Screw Set Screw Packing (fibre)
248421	16690	Feed Driving Rock Shaft Bushing (right) (split)
200327C	16690	Feed Driving Rock Shaft Bushing (right) Pinch Screw
200347C	16690	Feed Driving Rock Shaft Bushing (right) Pinch Screw Set Screw
244084	16690	Feed Driving Rock Shaft Bushing (right) Pinch Screw Set Screw Packing (fibre)
224141	16690	Feed Driving Rock Shaft Crank with 200019E
200019E	16690	" " " " Pinch Screw
202625	16690	" " " " Stop Collar with two 200383C (2)
200383C	16690	Feed Driving Rock Shaft Stop Collar Set Screw
248449	16604	Feed Indicating Disc with 200958C
200958C	16604	" " " " Set Screw
224154	16689	" Lifting Cam with 201220C
224052	16690	" " " " Fork with 200173D and 223655
350197E	16690	Feed Lifting Cam Fork Screw
225837	16690	" " " " Washer
223655	16690	" " " " Oiling Felt
200173D	16690	" " " " Screw
201220C	16689	" " " " Set Screw
240235	16689	" Regulating Stud
240245	16689	" " " " Retaining Spring
248425	16689	" " " " Spring
*240556	-----	Hook (sewing)
240557	16687	" 240556 with 203525, 240559, two each 201253F and 201409F
240558	16687	Hook and Bobbin Case complete, Nos. 233765 and 240557
224019	16688	Hook Bushing (lower) (bronze)
200364C	16688	" " " " Set Screw
224020	16688	" " (upper) (bronze)
200446C	16688	" " " " Position Screw
223867	16689	" Driving Gear (spiral) with 200362C and 201222C
201222C	16689	Hook Driving Gear Position Screw
200362C	16689	" " " " Set Screw
240167	16688	" " Pinion (spiral) with 200382C and 201220C
201220C	16688	Hook Driving Pinion Position Screw
200382C	16688	" " " " Set Screw
224022	16688	" " " " Thrust Washer
240241	16689	" " Shaft
249440	16689	" " " " Ball Bearing
*240060	16689	" " " " Collar with 200378C and 201220C
240061	16689	Hook Driving Shaft Ball Bearing Collar 240060 with 249440
201220C	16689	Hook Driving Shaft Ball Bearing Collar Position Screw
200378C	16689	Hook Driving Shaft Ball Bearing Collar Set Screw

No.	Plate	Name
*240056	16689	Hook Driving Shaft Ball Bearing Retaining Washer
*240058	16689	Hook Driving Shaft Bushing (back)
240063	16689	Hook Driving Shaft Bushing (back) (ball bearing) complete, Nos. 240056, 240058 and 240061
237529	16689	Hook Driving Shaft Bushing (front)
200327C	16689	" " " " Set Screw (2)
265314	16689	" " " " Lock Ratchet with 200354C and 200362C
200354C	16689	Hook Driving Shaft Lock Ratchet Position Screw
200362C	16689	Hook Driving Shaft Lock Ratchet Set Screw
240244	16689	" " " " Stud
240245	16689	" " " " Retaining Spring
248425	16689	Hook Driving Shaft Lock Stud Spring
203525	16687	" " " " Gib
201253F	16687	" " " " Screw
240559	16687	" Needle Guard
201409F	16687	" " " " Screw
223850	16688	" Saddle with 200009E
224024	16688	" " 223850 with 200364C, 200446C, 224019 and 224020
240243	16689	Hook Saddle Bearing
200335C	16689	" " " " Set Screw
200009E	16688	" " " " Pinch Screw
200006E	16688	" " " " Screw
225585	16688	" " " " Washer
240560	16688	Hook Saddle complete, Nos. 200118D, 200364C, 223623, 224004, 224005, 224022, 224024, 240167, 240558 and 265088
237837	16695	Knee Lifter Connection Lever
200262H	16695	" " " " Hinge Screw
223684	16695	" " " " Lifting Rod with 202302
202302	16695	Knee Lifter Connection Lever Lifting Rod Cotter Pin
206628	16695	Knee Lifter Connection Lever Lifting Rod Spring
227227	16695	Knee Lifter Connection Lever Lifting Rod Spring Collar with 200113F
200113F	16695	Knee Lifter Connection Lever Lifting Rod Spring Collar Set Screw
240516	16695	Knee Lifter Lifting Lever
200262H	16695	" " " " Hinge Screw
240205	16693	Lifting Bell Crank
200996C	16693	" " " " Cap Screw
240125	16691	" " " " Link
350172C	16691	" " " " Screw Stud
201524E	16691	" " " " " " Nut
*237195	16691	" Eccentric
*237749	16691	" " " " Body
350107C	16691	" " " " Position Screw
443C	16691	" " " " Set Screw
240126	16691	" " " " Connection

No.	Plate	Name
240171	16691	Lifting Eccentric Connection Crank with 200029E and 248821
248821	16691	Lifting Eccentric Connection Crank Oil Packing (wick)
200029E	16691	Lifting Eccentric Connection Crank Pinch Screw
1103C	16691	Lifting Eccentric Regulating Screw
217D	16691	" " " " Set Screw
7071	16691	" " " " Washer
237196	16691	Lifting Eccentric complete, Nos. 217D, 443C, 1103C, 7071, 237195, 237749 and 350107C
240517	16693	Lifting Presser Foot, for cording and general upholstery
200074F	16693	Lifting Presser Foot Screw
240136	16691	" Rock Shaft with 201524E and 350172C
240174	16691	" " " " Bushing (2)
240498	16692	Needle Bar with 200175D, 201350F and 240499
238251	16692	Needle Bar Connecting Link
264718	16692	" " " " Oil Guard
200161D	16692	" " " " " " " Screw
202333	16692	" " " " " Stud with 202254
202254	16692	" " " " " Oil Packing (wick)
200374C	16692	Needle Bar Connecting Link Stud Set Screw
200383C	16692	" " " " " " " Screw
208552	16692	" " " " Stud with 200086C and 202330
202330	16692	Needle Bar Connecting Stud Oil Packing (wick)
200086C	16692	Needle Bar Connecting Stud Pinch Screw
202692	16692	" " Crank with 200335C, 200374C, 200383C, 200428C and 202333
240178	16692	Needle Bar Crank 202692 with 202399, 202400, 208552, 238251 and 241518
203172	16692	Needle Bar Crank Friction Washer
200428C	16692	" " " " Position Screw
200335C	16692	" " " " Set Screw
240248	16692	" " Rock Frame
248437	16692	" " " " Hinge Stud
200347C	16692	" " " " " " " Set Screw
202666	16692	" " " " Position Bracket
200098F	16692	" " " " " " " Screw
223690	16691	Needle Bar Rock Frame Rock Shaft
223691	16691	" " " " " " " 223690 with 200387C and 210920
223692	16691	Needle Bar Rock Frame Rock Shaft Crank with 200029E
223693	16604	Needle Bar Rock Frame Rock Shaft Crank Connection with 202277
201407C	16604	Needle Bar Rock Frame Rock Shaft Crank Connection Hinge Screw (lower)
206758	16604	Needle Bar Rock Frame Rock Shaft Crank Connection Hinge Screw (lower) Oil Packing (wick)
201517E	16604	Needle Bar Rock Frame Rock Shaft Crank Connection Hinge Screw (lower) Nut

No.	Plate	Name
200833C	16604	Needle Bar Rock Frame Rock Shaft Crank Connection Hinge Screw (upper)
201522E	16604	Needle Bar Rock Frame Rock Shaft Crank Connection Hinge Screw (upper) Nut
202277	16604	Needle Bar Rock Frame Rock Shaft Crank Connection Oil Packing (wick)
200029E	16691	Needle Bar Rock Frame Rock Shaft Crank Pinch Screw
202668	16691	Needle Bar Rock Frame Slide Block
210920	16691	" " " " " " " 202668 with 201141C
201141C	16691	Needle Bar Rock Frame Slide Block Stud
200387C	16691	" " " " " " " " Set Screw
240499	16692	Needle Bar Thread Guide
200175D	16692	" " " " " Screw
201350F	16692	" " Set Screw
208566	16693	Presser Bar with 200074F
241352	16693	" " Bushing (lower)
207072	16693	" " " (upper)
200352C	16693	" " " Set Screw (2)
202671	16693	" " Lifter
200653C	16693	" " " Hinge Screw
264526	16693	" " Lifting Bracket with 200054E
200975F	16693	" " " " Guide Screw
200054E	16693	" " " " Pinch Screw
202337	16693	" " Position Guide
202338	16693	" " " " Lever with 200086F
200086F	16693	Presser Bar Position Guide Lever Pinch Screw
200352C	16693	Presser Bar Position Guide Set Screw
237836	16695	" " Spring (flat)
210949	16693	" " " Bracket with 200086C
200086C	16693	" " " " Pinch Screw
201410F	16695	" " " Regulating Screw
200948F	16695	" " " Support Screw
265032	16689	Safety Clutch Hook Driving Shaft Position Collar with two 201254C
201254C	16689	Safety Clutch Hook Driving Shaft Position Collar Set Screw
240519	16689	Safety Clutch Locking Lever
240520	16689	" " " " Connecting Link
240536	16689	" " " " Hinge Stud
200364C	16689	" " " " " " " Set Screw
265102	16689	Safety Clutch Locking Lever Spring
240537	16689	" " " " " " Hinge Stud
200364C	16689	" " " " " " " " Set Screw
240538	16689	Safety Clutch Pulley with 202253 and two 200364C
202253	16689	Safety Clutch Pulley Spring Flange
265057	16689	" " Throw-in Latch
240522	16689	" " " " Pin
265051	16689	" " " " Spring

No.	Plate	Name
240539	16689	Safety Clutch complete, Nos. 240519, 240520, 240522, 240536 to 240538, 265032, 265051, 265057 and 265102
241518	16692	Take-up Lever
202399	16692	" " Driving Stud with 202277
202277	16692	" " " " Oil Packing (wick)
202400	16692	" " Hinge Stud with 202423
202423	16692	" " " " Oil Packing (wick)
200363AL	16692	" " " " Set Screw
240023	16612	Tension Bracket with 201224B and 236060
200159H	16612	" " Screw
240446	16612	Tension Bracket complete, Nos. 200978H, 201199F, 204271, 223438, 223703, 223704, 223706, 237174, 240023, two each 200309E, 201572H and 244048
244048	16612	Tension Disc
236060	16612	" " Position Pin
223703	16612	" Release Lever
235576	16693	" " " Rod
200309E	16612	" " " Screw
223704	16612	" " Plunger
264527	16693	" " Slide
240142	16693	" " Spring
204271	16612	" " Washer
223438	16612	" Spring
201224B	16612	" Stud
201572H	16612	" Thumb Nut
223706	16612	Thread Controller Disc
200978H	16612	" " " Screw
237174	16612	" " Spring
241360	16612	" " " Stop
200132E	16612	" " " " Screw
201199F	16612	" " Stud with 204925
200061C	16612	" " Set Screw
201572H	16612	" " Thumb Nut
204925	16612	" " Washer
202412	16686	" Guide
224040	16612	" Guide
210954	16612	" Guide
210955	16612	" " (upper)
200582H	16612	" " Screw (4)
240034	16612	" Retainer
200355H	16612	" " Set Screw
240144	16690	Throat Plate, for 264510
691F	16690	" " Screw (2)
240183	16693	Vibrating Presser Bar
240184	16693	" " " Connecting Link
240185	16693	" " " Extension with 204264 and 240186
240186	16693	Vibrating Presser Bar Extension Collar
204264	16693	" " " " " Pin
202277	16693	" " " Oil Packing (wick)
240188	16693	" " " Spring
350299C	16693	" " " Thumb Screw
		(pressure regulating)
240518	16693	Vibrating Presser Foot, 40 needle hole, with 201015F
201015F	16693	Vibrating Presser Foot Pinch Screw

ACCESSORIES

No.	Plate	Name
200157B	16695	Attachment Screw
200861D	16695	Bed Slide (back) Locking Thumb Screw
203470	16687	Bobbin (5)
231337	16695	Cloth Guide
200861D	16695	" " Thumb Screw
228476	17620	Screw Driver (Bobbin Case)
135x17	----	Needles, three each, sizes 20 and 22
224121	16644	Drip Pan, 20 in. long, with four 3/4 in. wire nails
12361	16695	Machine Hinge Connection (2)
41400	17620	" Rest Pin (wood)
120342	17620	Oiler (copper plated) with 120343
120343	17620	" Spout (3-1/2 in. long)
225498	17620	Screw Driver (7-1/4 in. long)
225554	17620	Wrench (steel)

BOBBIN WINDER

(SWINGING AUTOMATIC, RIGHT HAND)

FOR "V" BELT DRIVE

259428	18312	Brake (leather)
259429	18312	" Clamp
200113F	18312	" " Screw
225453	18312	Frame with 202277 and 259660
225454	18312	" Hinge Pin
202277	18312	" Oil Packing (wick)
259660	18312	" " Well Washer
225455	18312	" Spring
225456	18312	" " Plunger
259461	18312	Pulley with 200380C
200380C	18312	" Set Screw
225381	18312	Spindle
225444	18312	Stop Latch
200056E	18312	" " Screw
225458	18312	" " Thumb Lever
225459	18312	" " " " Hinge Stud
225459	18312	" " " " Joint Stud
202478	18312	" " Trip Lever
200299H	18312	" " " " Hinge Screw
225461	18312	Tension Bracket with 201499H
200082D	18312	" " Screw
228026	18312	" " " Washer
2102	18312	" Disc
13710	18312	" Spring

ACCESSORIES

No.	Plate	Name
201499H	18312	Tension Stud
201572H	18312	" " Thumb Nut
225462	18312	Bobbin Winder Tension Bracket complete, Nos. 13710, 201572H, 225461 and two 2102
259662	18312	Bobbin Winder and Tension Bracket Base
259462	18312	Universal Bobbin Winder complete, Nos. 200056E, 200082D, 200113F, 200299H, 202478, 225381, 225444, 225453 to 225456, 225458, 225462, 228026, 259428, 259429, 259461, 259662, two each 225459 and wood screws 3/4 in., No. 12, R. H. B.

KNEE LIFTER

228359	16643	Rock Lever with two 350231C
228486	16643	" " Bracket with 200347C and three wood screws 7/8 in., No. 12
228361	16643	Rock Lever Bracket 228486 with 228359, 228363, 228367, 228386 and 228455
228362	16643	Rock Lever Extension with 200529C
350231C	16643	" " " " Set Screw
228363	16643	" " Hinge Pin
228364	16643	" " Knee Plate with 350231C
228388	16643	" " " " Arm
350231C	16643	" " " " " " Set Screw
350231C	16643	" " " " " " Set Screw
228455	16643	" " Position Spring
228365	16643	" " Rod
200529C	16643	" " " " Set Screw
228386	16643	" " Spring
228367	16643	" " Stop Stud
200347C	16643	" " " " " " Set Screw
228368	16643	Knee Lifter complete, Nos. 228361, 228362, 228364, 228365 and 228388

(Other Knee Lifter Parts are listed with parts of Machine Head)

THREAD LUBRICATOR

236955	18515	Thread Lubricating Cup with 200059C and 201280C
236957	18515	Thread Lubricating Cup Oil Pad (felt)
236959	18515	" " " " " " (upper) Reinforcing Plate
201280C	18515	Thread Lubricating Cup Oil Pad (upper) Tension Screw Stud
222712	18515	Thread Lubricating Cup Oil Pad (upper) Tension Spring

ACCESSORIES

No.	Plate	Name
201572H	18515	Thread Lubricating Cup Oil Pad (upper) Tension Thumb Nut
236961	18515	Thread Lubricating Cup Oil Pad (upper) complete, Nos. 236957 and 236959
200059C	18515	Thread Lubricating Cup Set Screw
236962	18515	" " " " Thread Guide
236963	18515	Thread Lubricating Cup complete, Nos. 201572H, 222712, 236955, 236961, 236962 and three 236957

BOBBIN WINDER

(SWINGING AUTOMATIC, RIGHT HAND)

FOR 5/16 INCH ROUND BELT DRIVE

Note: Same as 259462 "V" belt Bobbin Winder with the following exceptions:		
225368	18312	Pulley with 200380C
259430	18312	Bobbin Winder and Tension Bracket Base
259431	18312	Universal Bobbin Winder complete, Nos. 200056E, 200082D, 200113F, 200299H, 202478, 225368, 225381, 225444, 225453 to 225456, 225458, 225462, 228026, 259428 to 259430, two each 225459 and wood screws 3/4 in., No. 12, R. H. B.

FEED DOGS

240118	16696	Feed Dog, 46 needle hole, for needle sizes 16 and 18, for 240143
240114	16696	Feed Dog, 50 needle hole, for needle sizes 14 and 15, for 240144
240113	16696	Feed Dog, 46 needle hole, for needle sizes 16 and 18, for 240144
264510	16690	Feed Dog, 40 elongated needle hole, for needle sizes 23 and 24, for 240144
240147	16696	Feed Dog, 38 needle hole, for needle sizes 23 and 24, for 240144
240115	16696	Feed Dog, 50 needle hole, for needle sizes 14 and 15, for 240145
240116	16696	Feed Dog, 46 needle hole, for needle sizes 16 and 18, for 240145
240117	16696	Feed Dog, 40 needle hole, for needle sizes 20 and 22, for 240145
240119	16696	Feed Dog, 40 needle hole, for needle sizes 20 and 22, for 240146
240120	16696	Feed Dog, 38 needle hole, for needle sizes 23 and 24, for 240146

FOOT LIFTER

PARTS REQUIRED FOR CHANGING FROM KNEE LIFTER TO FOOT LIFTER

No.	Plate	Name
223733	16695	Lifting Lever Extension
200082D	16695	" " " Screw (2)
227561	16695	" " " Spring

FOOT LIFTER

227952	17620	Lever (left or right) with 227954
227678	17620	" Chain, 48 in. long, with 202784
227954	17620	" " Hook (lower)
202784	17620	" " " (upper)
225016	17620	" Hinge Pin
227939	17620	" Stand with two wood screws 1 in., No. 12
227955	17620	Foot Lifter Lever (left or right) complete, Nos. 225016, 227678, 227939 and 227952

PRESSER FEET

240128	16694	Lifting Presser Foot, for closing gloves, for 240150 to 240152
240130	16694	Lifting Presser Foot, for cording and general upholstery, for 240154
240133	16694	Lifting Presser Foot, for 240153
240134	16694	" " " " 240157
240148	16694	" " " " 240149
240517	16694	" " " " cording and general upholstery, for 240518
240151	16694	Vibrating Presser Foot, 50 needle hole, with 201015F, for 240128
240152	16694	Vibrating Presser Foot, 46 needle hole, with 201015F, for 240128
240150	16694	Vibrating Presser Foot, 38 needle hole, with 201015F, for closing gloves, for 240128

No.	Plate	Name
240154	16694	Vibrating Presser Foot, 40 needle hole, with 201015F, for 240130
240153	16694	Vibrating Presser Foot, 40 needle hole, with 201015F, for 240133
240157	16694	Vibrating Presser Foot, 40 needle hole, with 201015F, for 240134
240149	16694	Vibrating Presser Foot, 46 needle hole, with 201015F, for 240148
240518	16694	Vibrating Presser Foot, 40 needle hole, with 201015F, for 240517

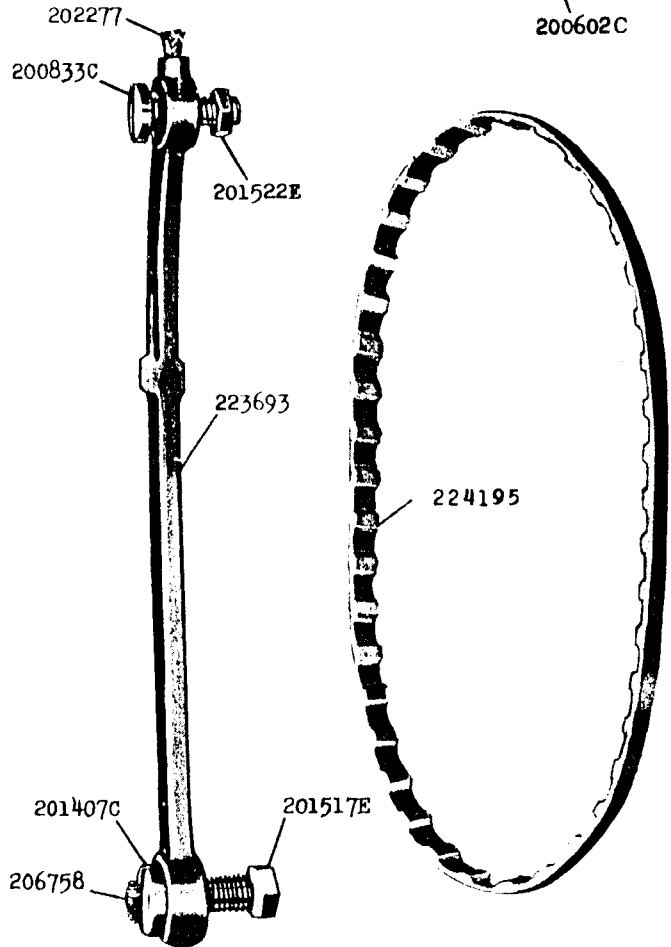
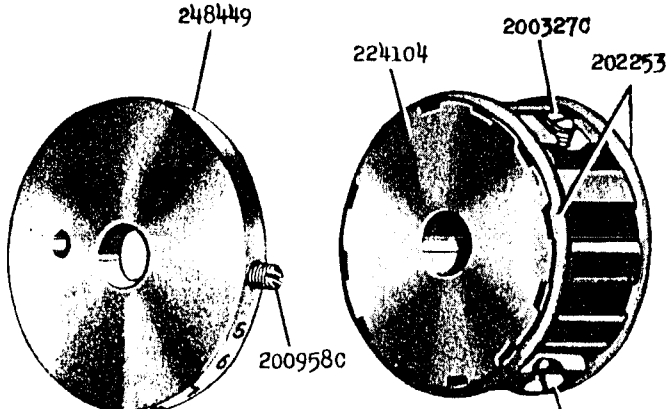
THREAD UNWINDER

228692	17900	Spool Pin
201528H	17900	" " Nut
228693	17900	" " Washer
225257	17900	" Rest (for two spools) (flat) with 201018C, two each 201528H, 228692 and 228693
150203	17900	Spool Rest Cushion (felt)
225388	17900	" " Rod
200383C	17900	" " " Set Screw
201018C	17900	" " " Set Screw
259658	17900	" Stand with 200383C
225391	17900	Thread Guide
201696H	17900	" " Lock Nut
225326	17900	" " Position Cup
225324	17900	" " Rod with 208AL and 225322
208AL	17900	" " " Screw
225322	17900	" " " Washer
225258	17900	Thread Unwinder (for two spools) complete, Nos. 201696H, 225257, 225324, 225326, 225388, 259658, two each 150203, 225391 and three wood screws 7/8 in., No. 12

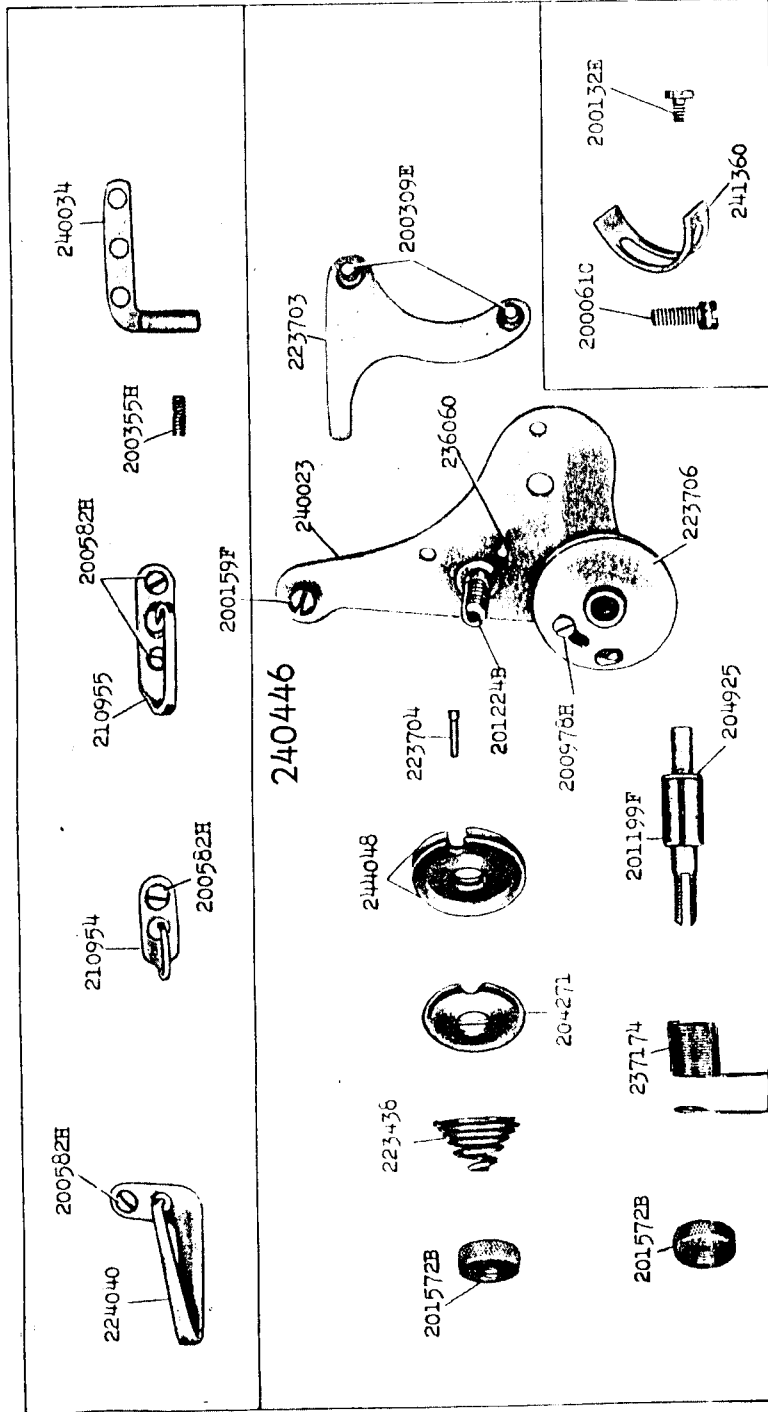
THROAT PLATES

240143	16696	Throat Plate, for 240118
240144	16690	" " " 240113, 240114, 240147 and 264510
240145	16696	Throat Plate, for 240115 to 240117
240146	16696	" " " 240119 and 240120

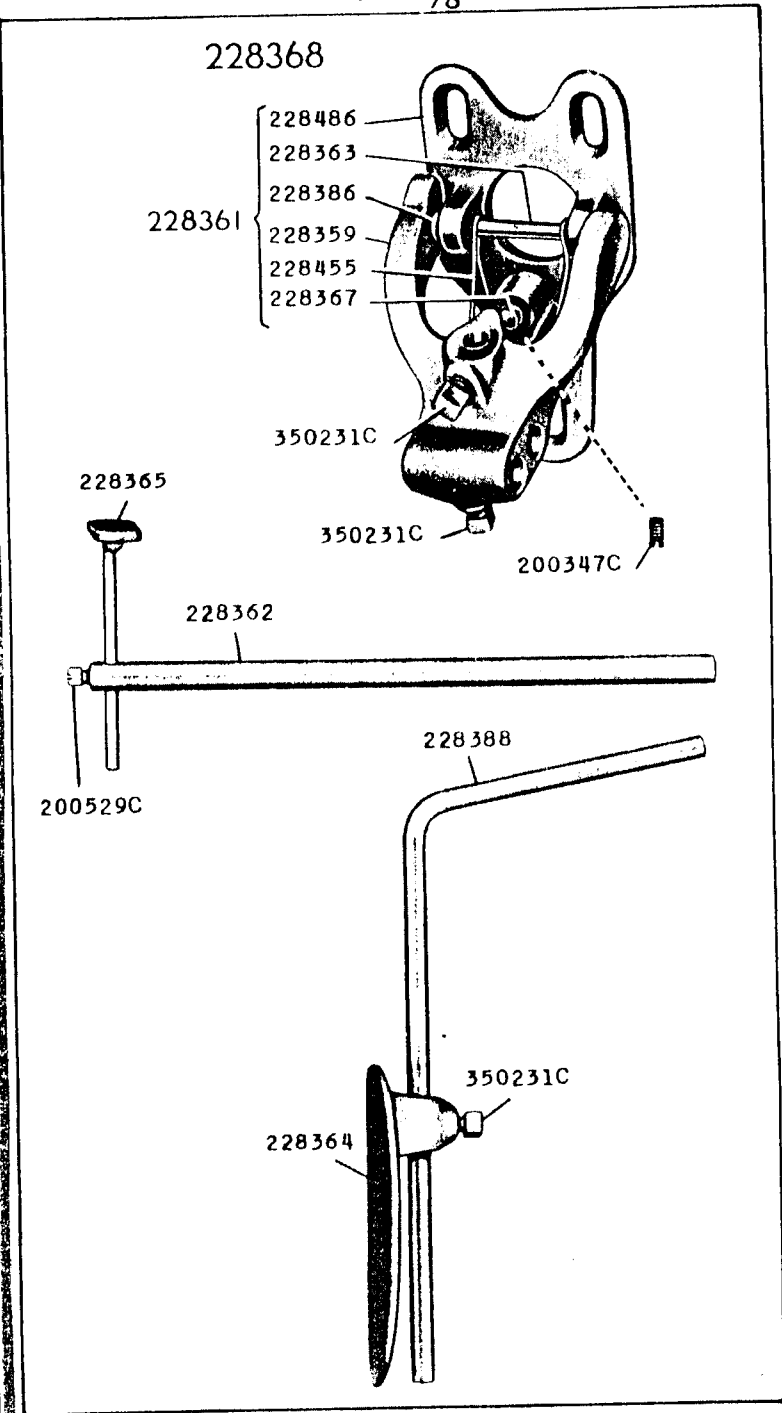
16604 - 3/8



16612 - 2/3



16643 - 3/8

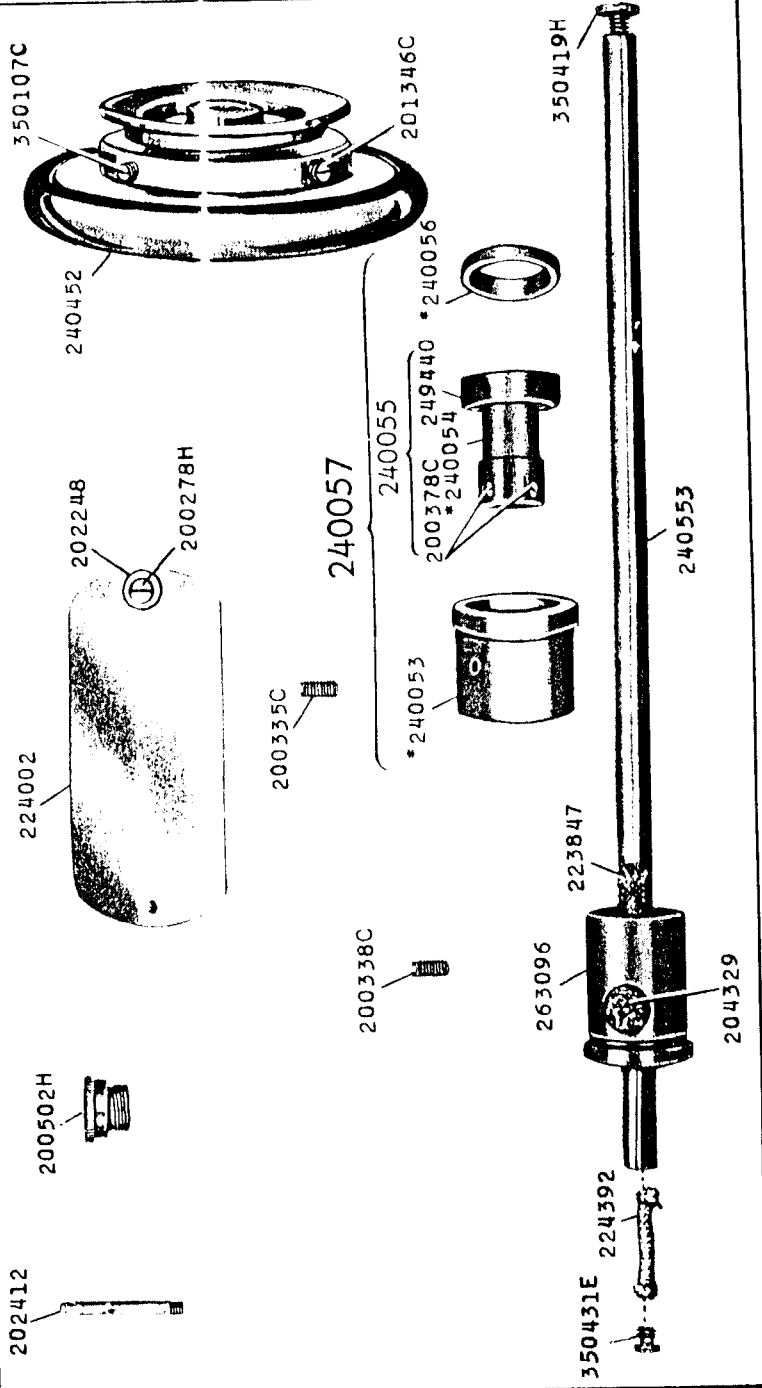


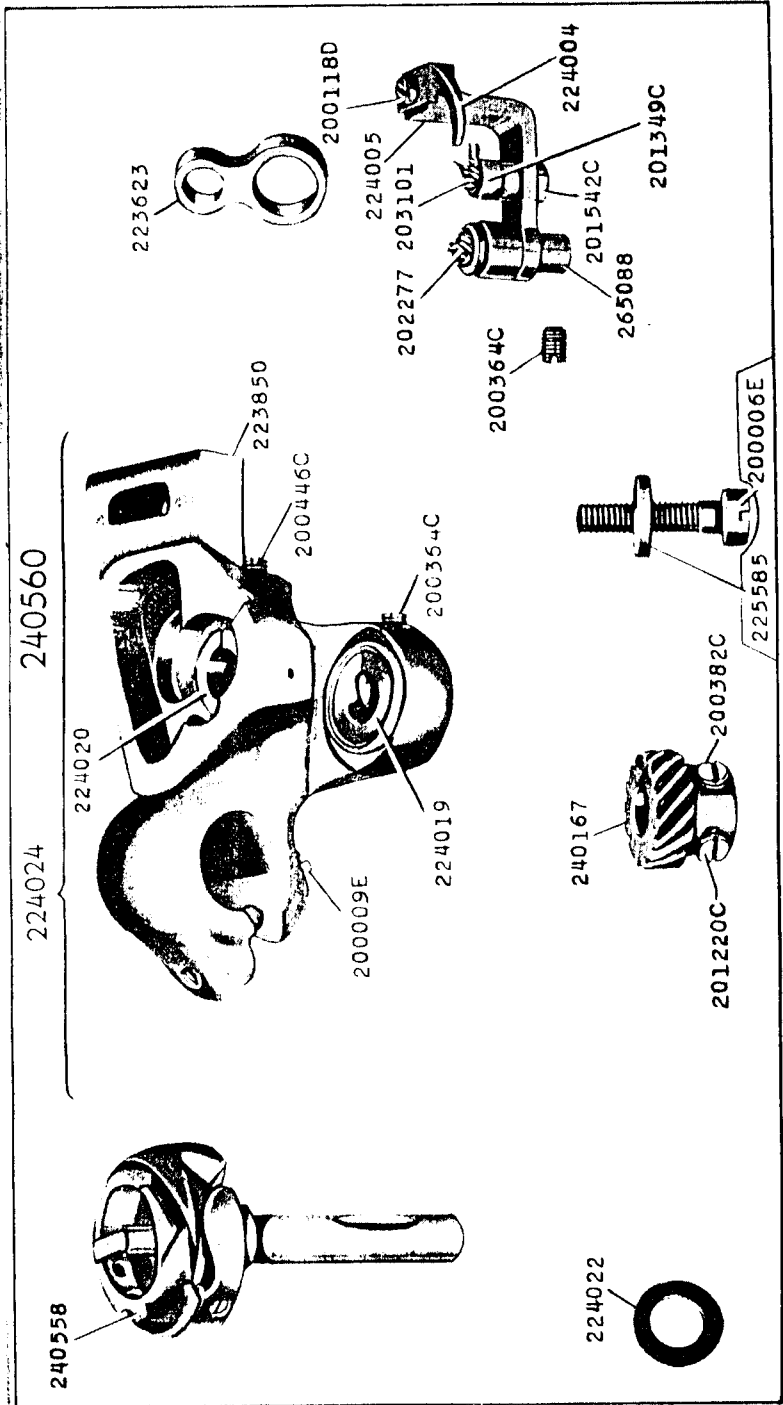
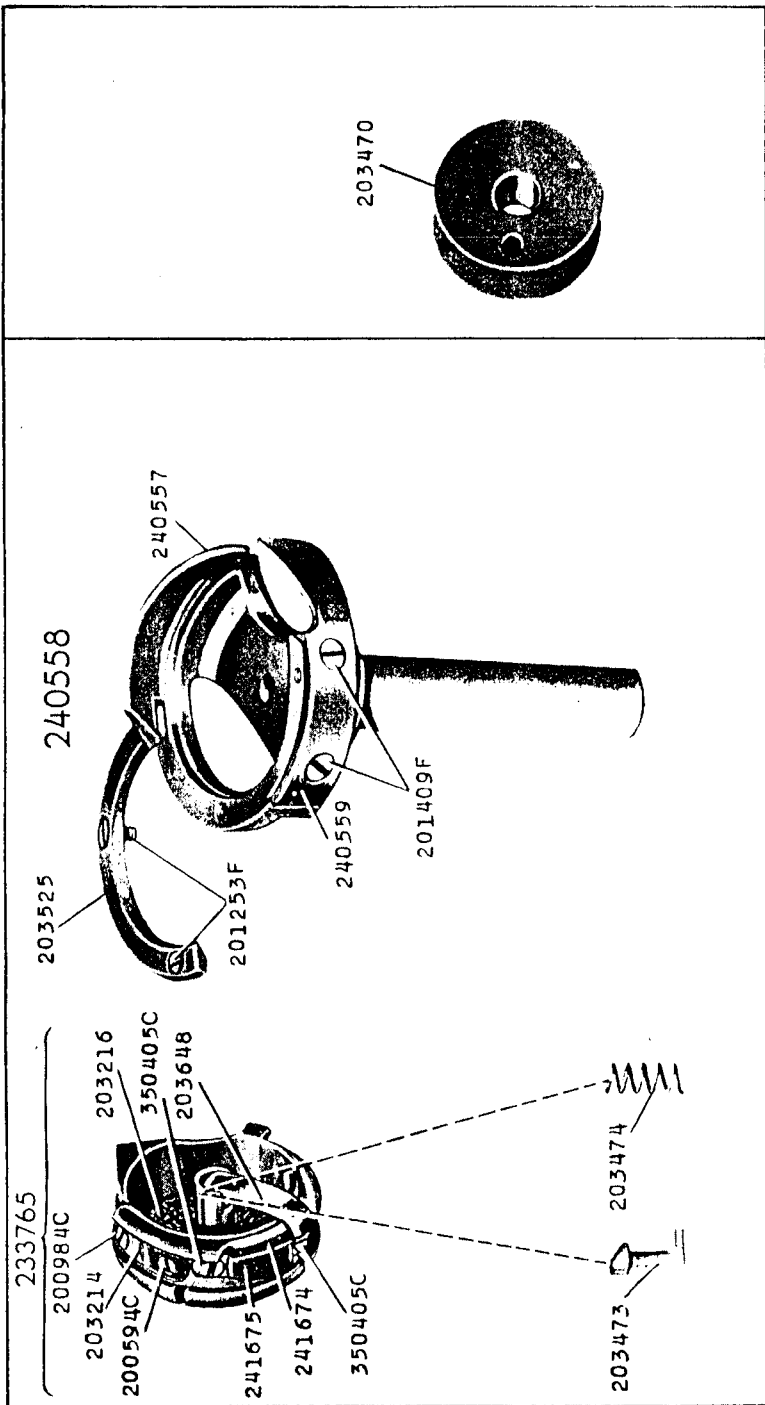
16644 - 1/3

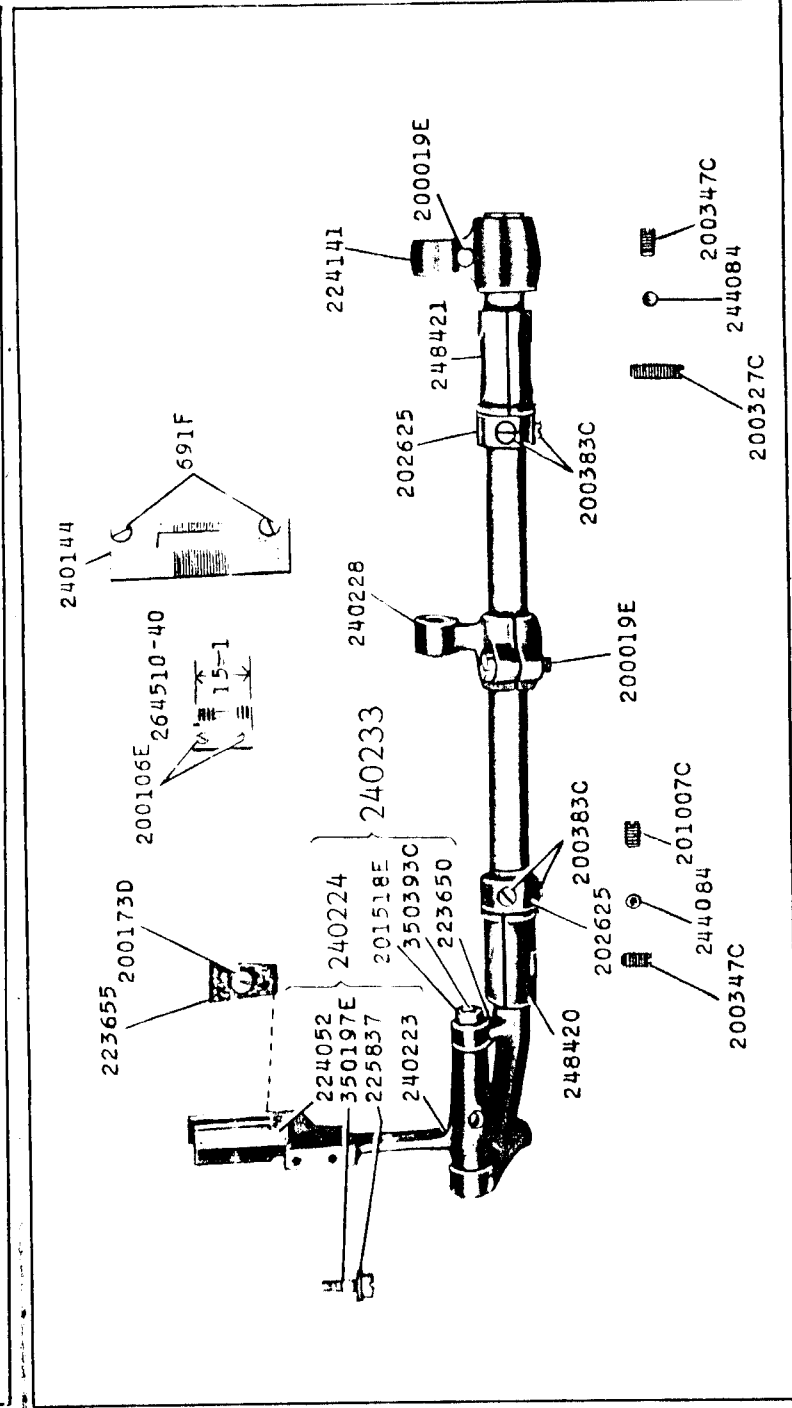
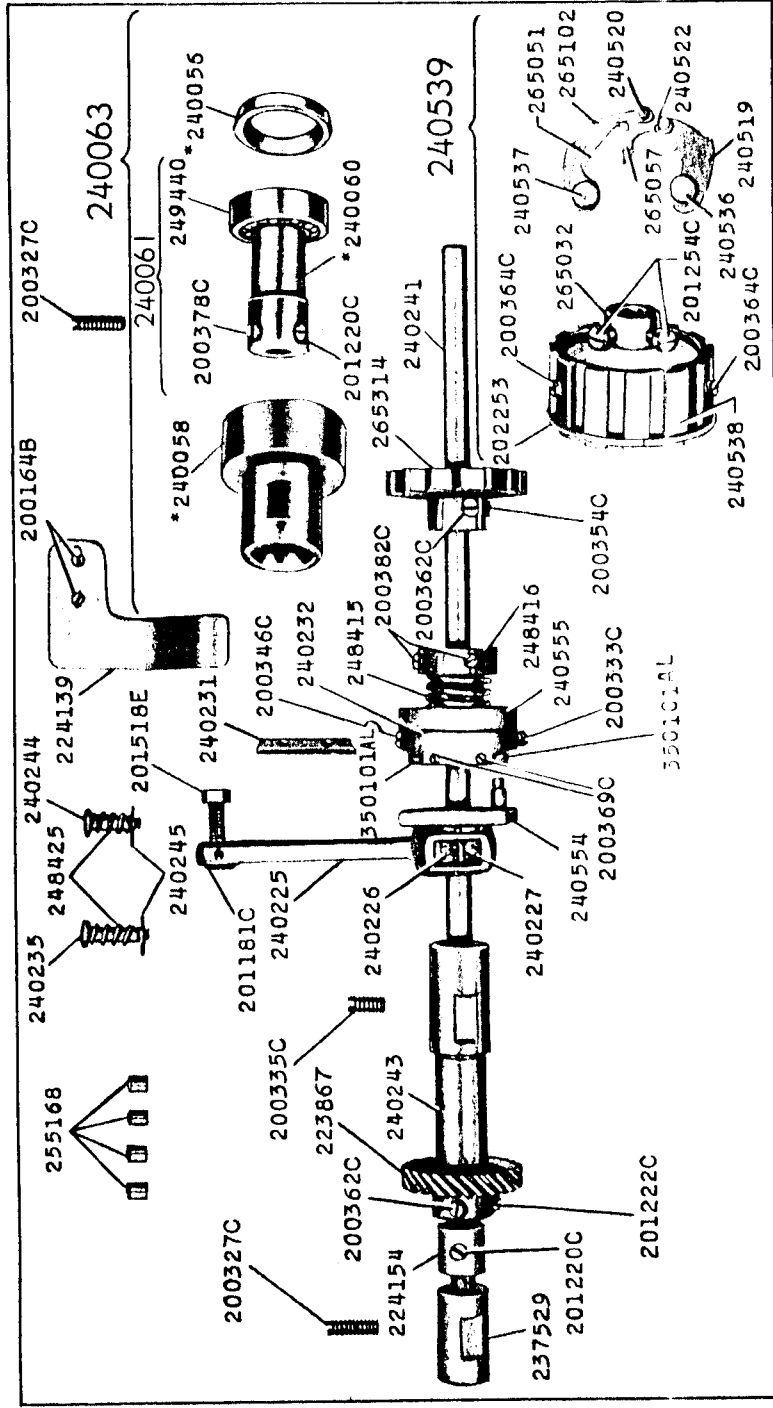
22-221



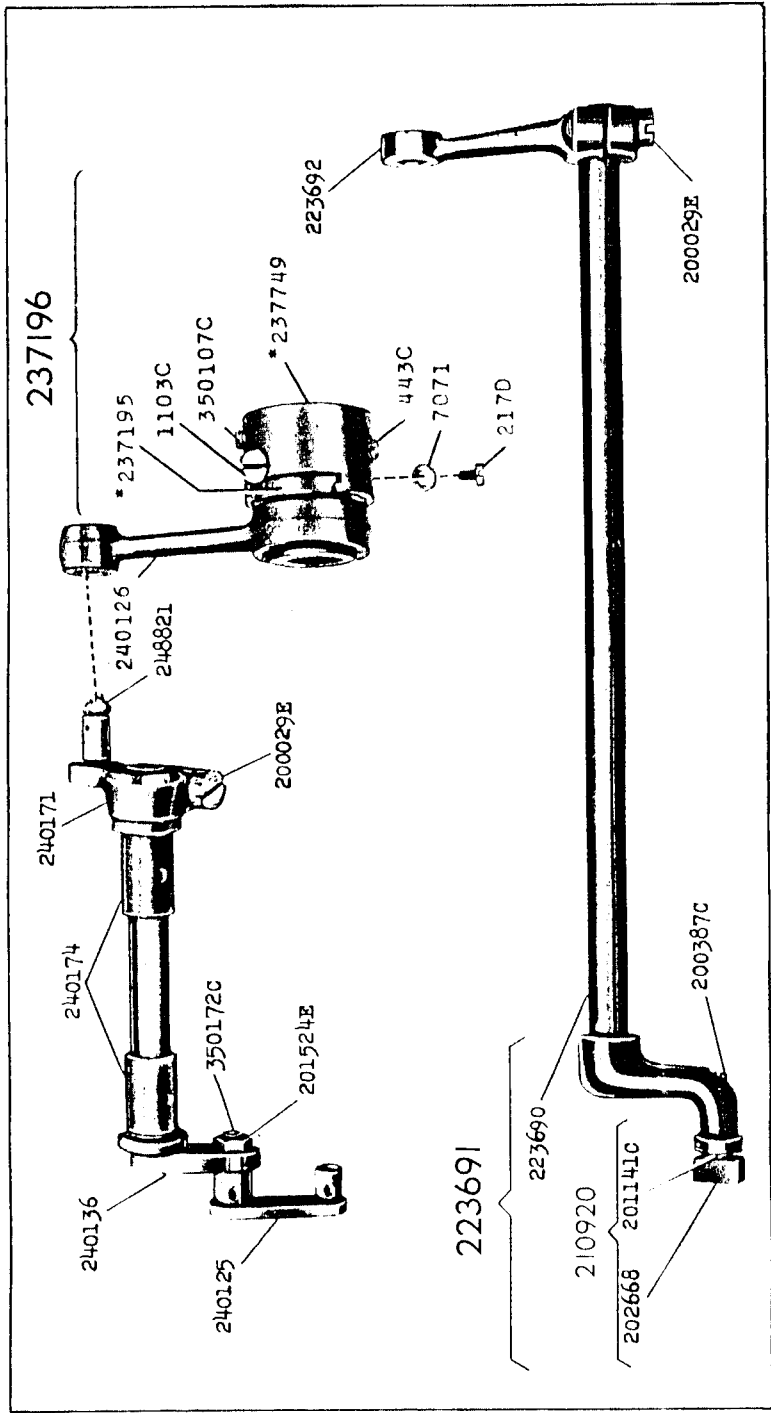
16686 - 3/8



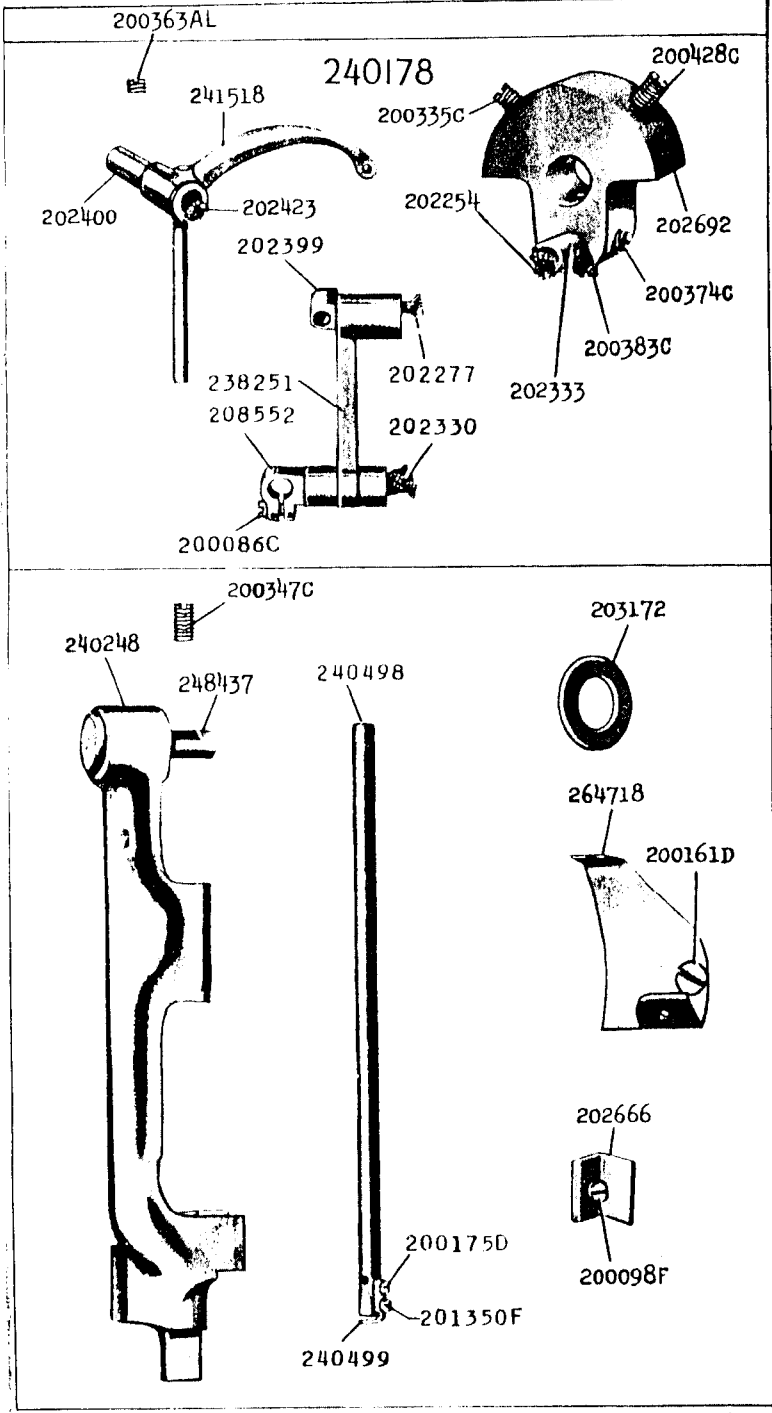


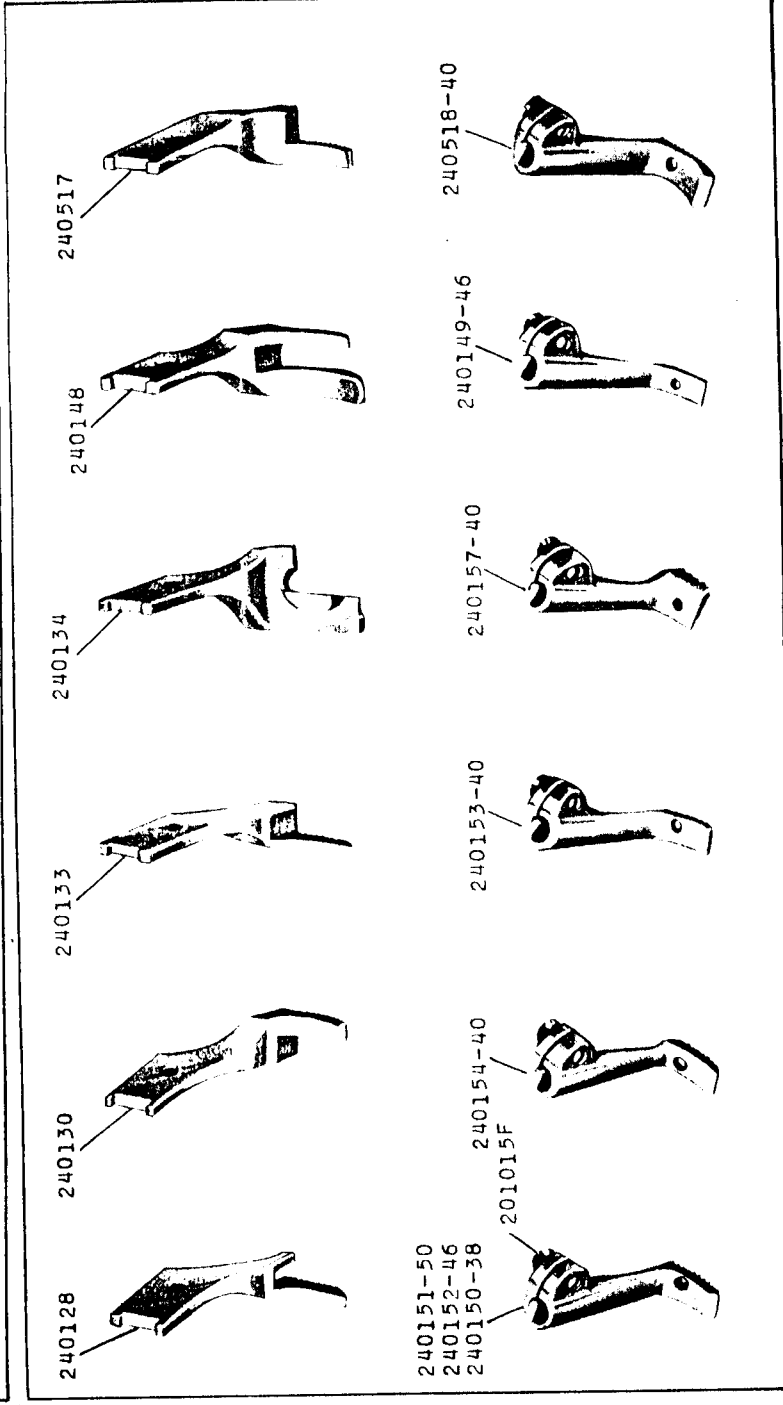
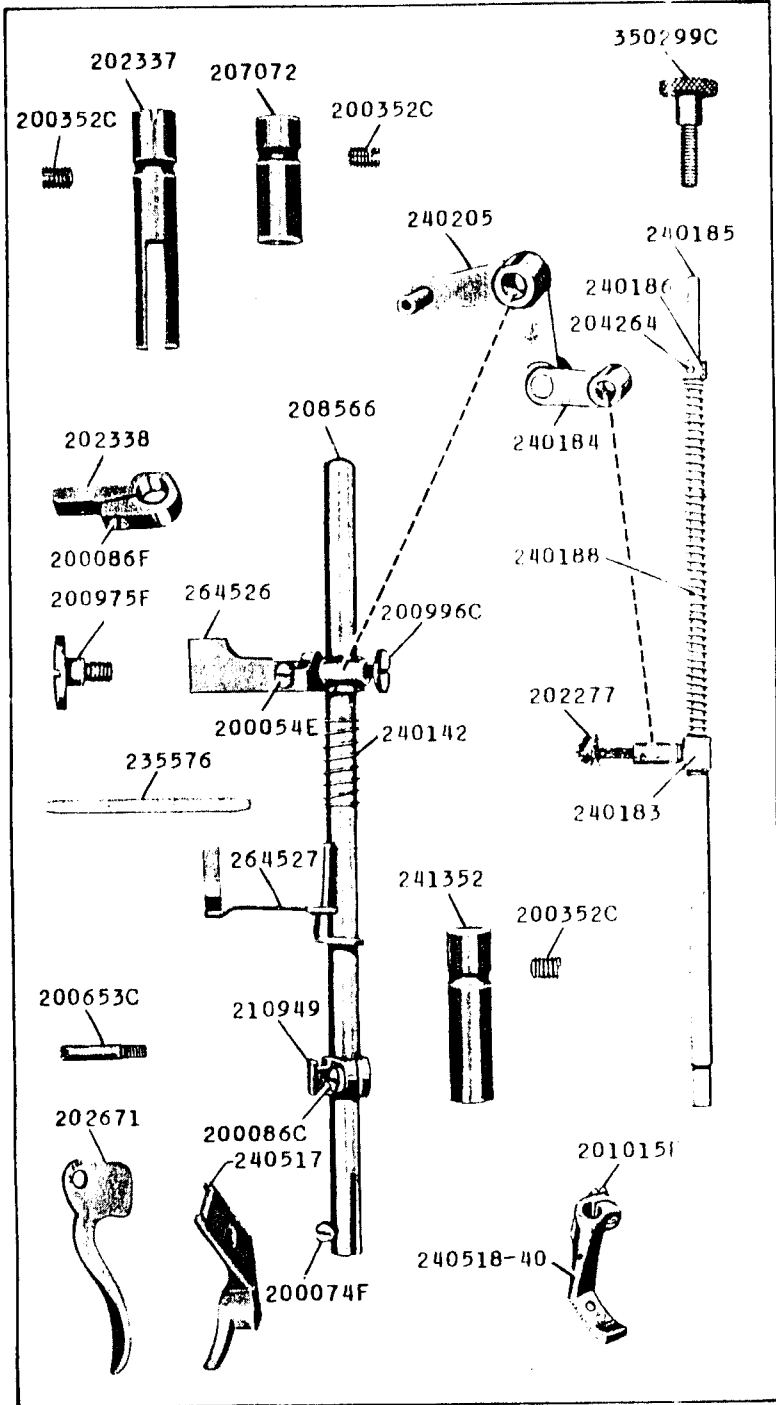


16691 - 1/2

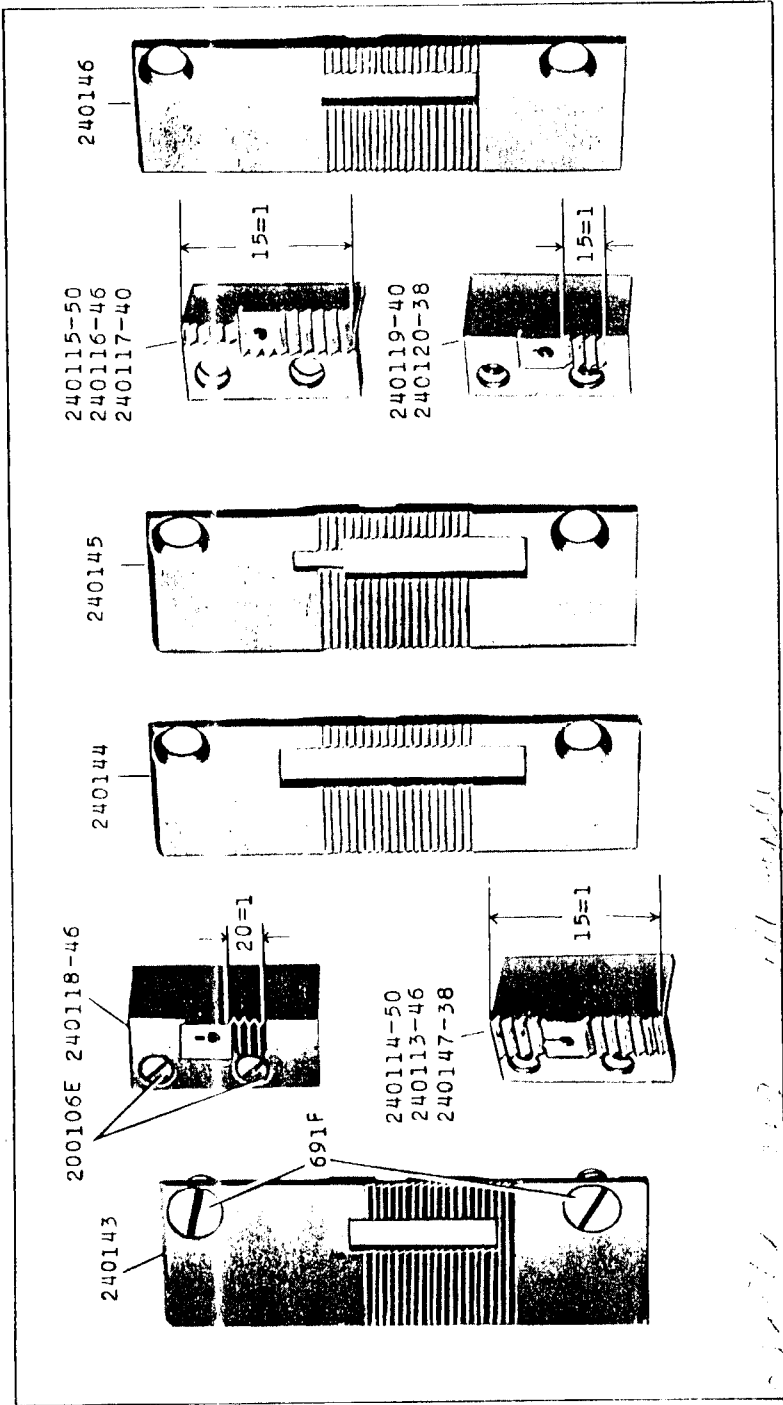
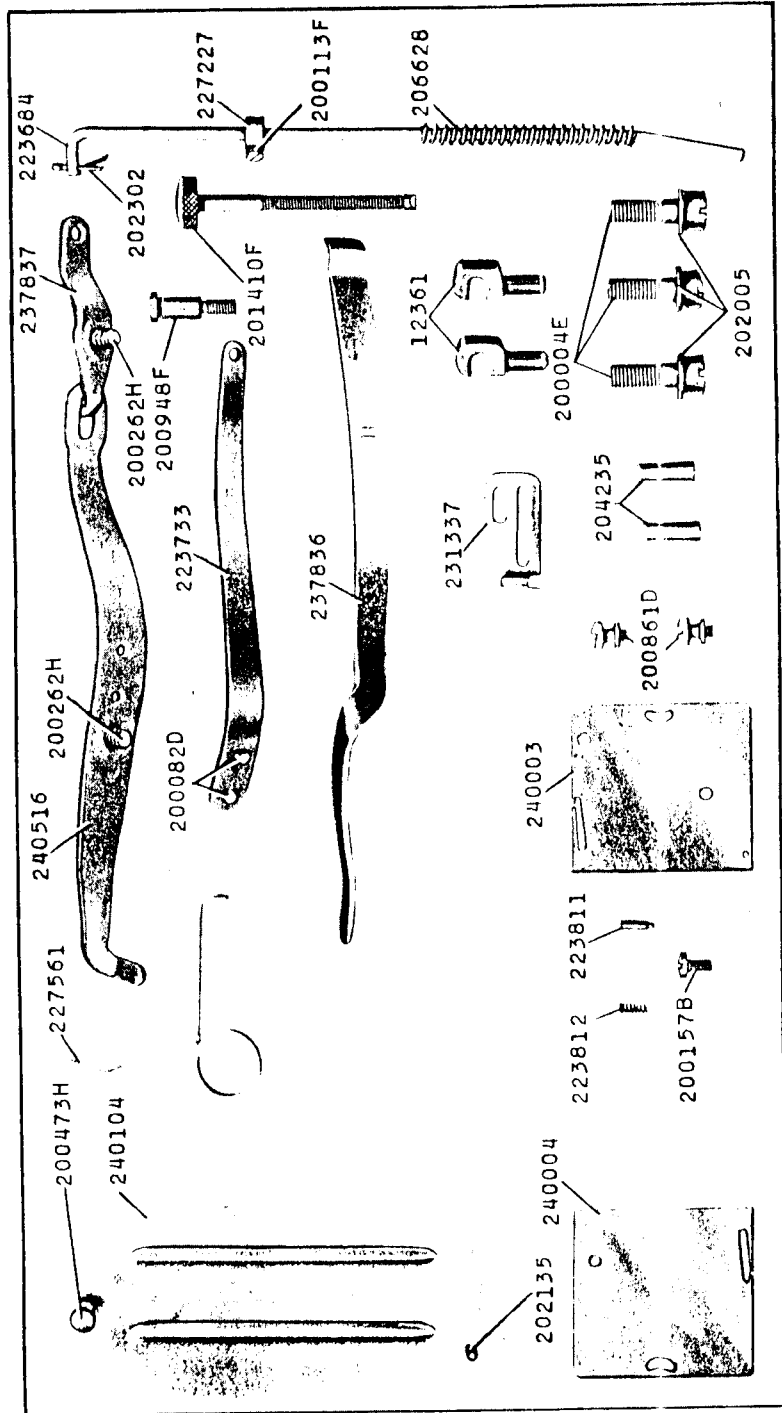


16692 - 1/2



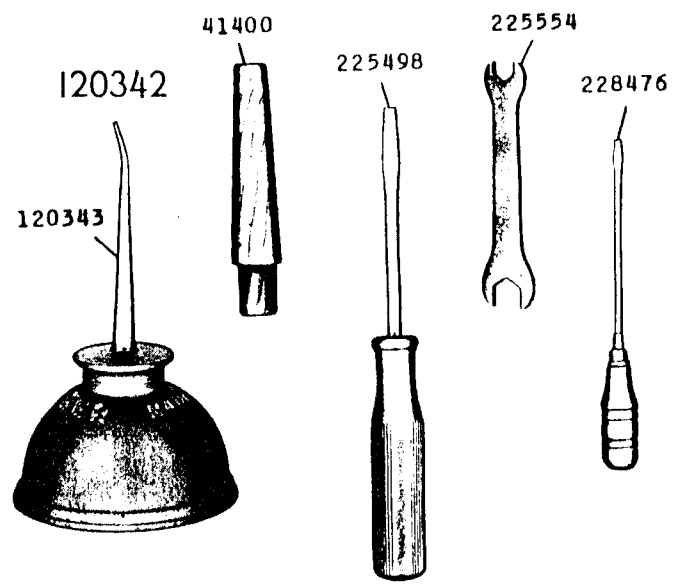
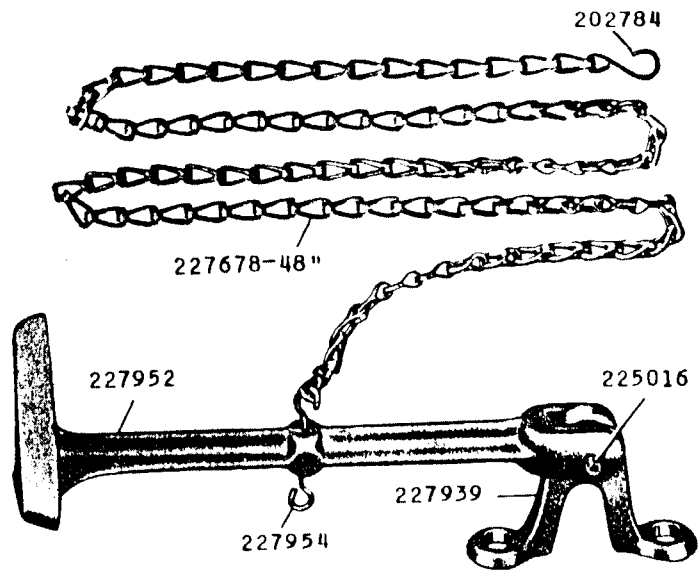


240151-50
 240152-46
 240150-38



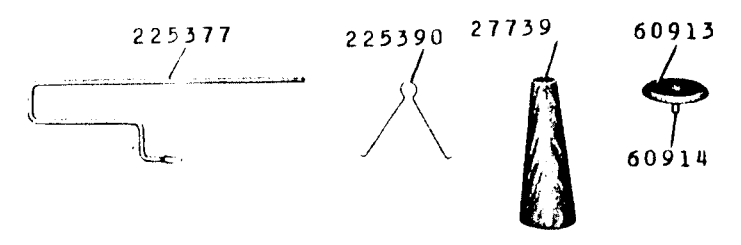
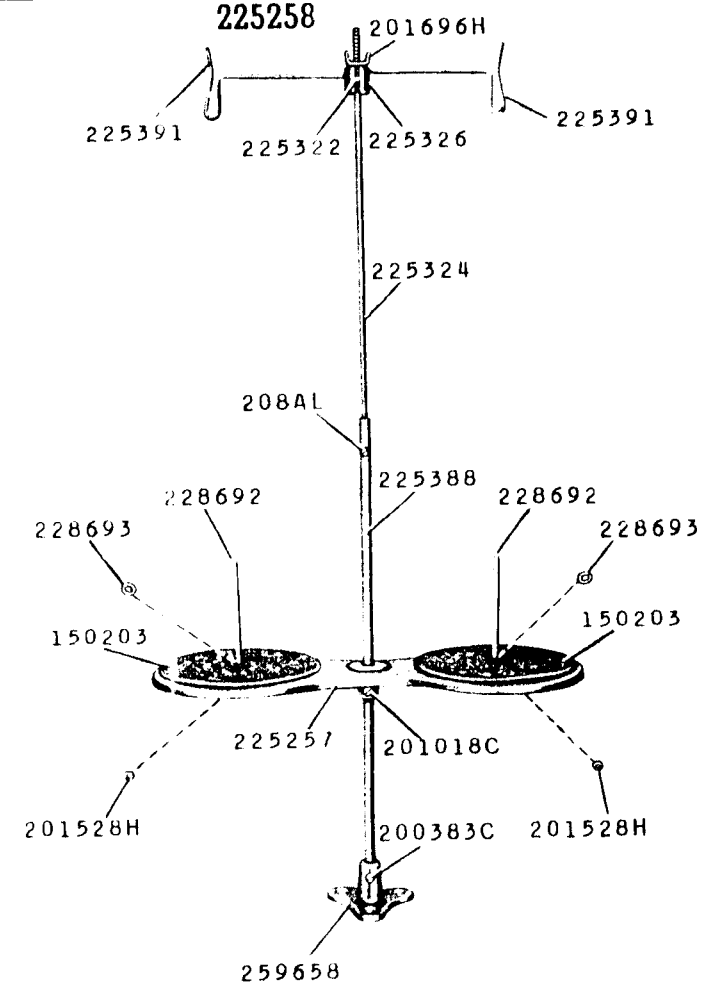
17620 - 1/3

227955

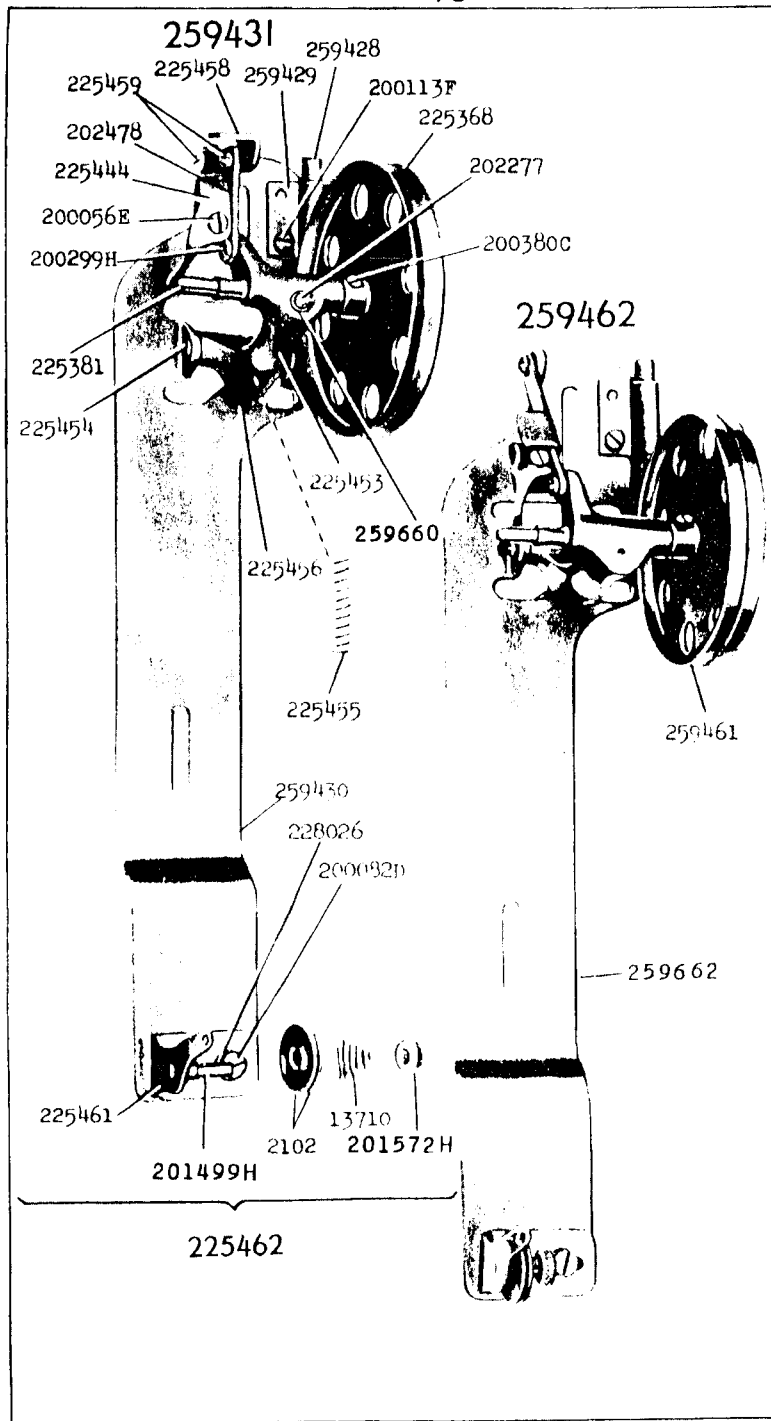


17900 - 1/6

225258



18312 - 3/8



18515

236963

