

DATA BOOK

Series : PE(H)

	Model	Service ref.
Cooling only	PE-7MYC	PE-7MYC-EU
	PE-8MYC	PE-8MYC-EU
	PE-10MYC	PE-10MYC-EU
	PE-15MYC	PE-15MYC-EU
	PE-20MYC	PE-20MYC-EU
Heat pump	PEH-5MYA	PEH-5MYA-EU
	PEH-7MYA	PEH-7MYA-EU
	PEH-8MYA	PEH-8MYA-EU
	PEH-10MYA	PEH-10MYA-EU
	PEH-15MYA	PEH-15MYA-EU
	PEH-20MYA	PEH-20MYA-EU

CONTENTS

SAFETY FOR USE -----	2
A COMPLETE LINE UP -----	4
FEATURES-----	5
DESCRIPTIONS-----	5
MECHANICAL SPECIFICATIONS -----	6
TYPICAL INSTALLATION EXAMPLE -----	6
MODEL-DESIGNATION BREAKDOWN -----	7
SPECIFICATIONS -----	8
ELECTRICAL DATA -----	11
SELECTION PROCEDURE -----	14
CAPACITY TABLES -----	16
OPERATION RANGE-----	36
FAN PERFORMANCE-----	37
SOUND DATA-----	40
OUTLINE DIMENSIONS-----	41
WIRING DIAGRAMS-----	48
ELECTRICAL OPERATION FLOW CHARTS -----	71
REFRIGERANT SCHEMATICS-----	74
SAFETY & CONTROL DEVICES -----	75
SPECIAL ORDER -----	77
PHYSICAL DATA-----	78
INSTALLATION-----	87
INSTRUCTIONS FOR USE -----	103
HOW TO OPERATE -----	108
SPECIFICATION GUIDELINES -----	112

Specifications subject to change without notice.

SAFETY FOR USE

Before conducting installation work, please read this "SAFETY FOR USE" carefully for correct installation.

Since the caution items shown here contain important description relative to safety, please observe them without fail.



Warning

Erroneous handling gives a high possibility to induce serious results such as death or heavy injury.



Caution

Erroneous handling may induce serious injury depending on the situation.

After reading, please keep it with you together the Instruction Manual, and read it again at the movement of the unit.

Warning

Ask your dealer or specialized subcontractor for installation.

Conducting installation work by yourself improperly may cause a fire, electric shock or water leakage.

For installation, conduct the work correctly by following the Installation Manual.

Improper installation may cause a fire, electrical shock or water leakage.

Install the unit on a spot sufficiently durable against the unit weight.

Insufficient durability can cause an injury by the falling down of unit.

All electric work must be performed by licensed technician, according to local regulations and the instructions given in this manual.

The units should be powered by dedicated power lines.

Power lines with insufficient capacity or improper electrical work may result in electric shock or fire.

Use only the specified cables for wiring. The connections must be made secured without tension the terminals.

Improper connection or fastening can cause a fire or electrical shock.

The unit should be installed according to the instructions in order to minimize the risk of damage from earthquakes, typhoons or strong winds.

Improper installation work can cause an injury by the falling down of the unit.

The outdoor unit must be installed on stable, level surface, in a place where there is no accumulation of snow, leaves or rubbish.

The outdoor unit should be installed in a location where air and noise emitted by the unit will not disturb the neighbors. The indoor unit should be securely installed.

If the unit is loosely mounted, it may fall, and cause injury.

The heating of refrigerant is noted.

When the refrigerant touches the fire etc., it was decomposed and a poisonous gas is generated.

Do not use the welding machine etc., in the room close up of the installation of the air conditioner.

Never repair the unit, remodel or transfer it to another site by yourself.

If they are performed improperly, water leakage, electric shock or fire may result. If you need to have the unit repaired or moved, consult your dealer.

Use only the specified refrigerant (R-22) to charge the refrigerant circuit.

Do not mix it with any other refrigerant and do not allow air to remain in the circuit.

Air enclosed in the circuit can cause high pressure resulting in a rupture and other hazards.

Ventilate the room if refrigerant leaks during Installation.

The refrigerant heated generates poisonous gas by decomposition which can cause poisoning.

After completing installation work, make sure that refrigerant gas has not leaked.

If refrigerant gas has leaked and exposed to fan heater, stove, oven and so on, it may generate noxious gases. Please do the gas leakage inspection before starting.

Take a proper measure to suppress the critical concentration of refrigerant if leaked when installing the unit in a small room.

The limit density is made not to be exceeded even if the refrigerant leaks by any chance.

You are necessary to ventilation measures to prevent the accident. If the refrigerant leaks, hypoxia accident may caused.

For the countermeasure to be taken, consult your dealer.

The terminal block cover of unit must be firmly attached to prevent entry of dust and moisture.

Improper mounting of the cover cause electric shock or fire.

Use only optional parts authorised by Mitsubishi Electric.

If the accessories are installed improperly, water leakage, electric shock or fire may result.

Ask your dealer or an authorised company to install them.

Caution

Never install on the place where a combustible gas might leak.

The gas may ignite or explode when the gas leaks and collects in surround of the unit.

When the unit is installed at telecommunication centers or hospitals, take a proper provision against noise.

The erroneous operation of air conditioner may be induced by inverter equipment, independent power device, medical equipment or communication equipment.

For special use as for foods, animals/plants, precision equipment or art objects, the applicability should be confirmed beforehand.

As the use for the applications other than that designed originally may result in the deterioration of the quality. Consult your dealer in this regard.

Do not use the unit under a special atmosphere.

Installing the unit at the following places may cause a trouble, a place where is much machine oil, salt, humidity or dust, spa district, a place full of sulfur gas, volatile gas, or corrosive gas, a place near high frequency processing machine.

Thermal insulation of the drain pipes is necessary prevent dew condensation.

If the drain pipes are not properly insulated, condensation will result and drip on ceiling, floor or other possessions.

The unit should be securely installed level surface.

When the unit inclines, it causes the water leak and the breakdown.
Please confirm the horizontal with the spirit level.

Install drain piping (hose) according to this Installation Manual to ensure proper drainage.

Improper drain piping (hose) may cause water leakage and damage to furniture or other possessions.

The unit must be properly earth connected.

Do not connect the earth wire to gas pipe, city water pipe, lightning rod or telephone earth wire.
Improper earth connection may cause electrical shock.

When installing at a watery place, provide an electric leak breaker.

Failure to mount the electric leak breaker may cause electrical shock.

Use breaker or fuse with proper capacity. Make sure that each appliance has a main power switch.

Using a wire or copper wire instead of proper capacity can cause fire or trouble.
Other appliances connected to the same line could cause an overload.

For the power lines, use standard cables of sufficient current capacity.

Otherwise, current leakage, overheating or fire may occur.

When installing the power lines, do not apply tension to the cables.

The tighten or loosen the connections may cause generate heat and cause fire.

A thing embarrassed which gets wet under the unit is not put.

When the room is high humidity or when the drain pipe is clogged, water may drip from the indoor unit.

Arrange the configuration of wiring not to bring up the panel and terminal cover, and fasten the panel and terminal cover securely.

The poor mounting of the panel or terminal cover may cause the heat generation of the terminal connection, a fire or electrical shock.

Do not wash the unit with water.

If washed with water, electric shock may be caused.

Do not handle the switch with wet hands.

Otherwise electric shock can be resulted.

Be very careful about unit transportation.

The unit should not be carried by only one person if it is more than 20kg. It occasionally causes the damage of the unit and health to be impaired.
Some unit use PP bands for packing. Do not use any PP band for delivery purpose. It may cause the injury.
Do not touch the heat exchanger fins with your bear hands. Doing so may cut your hands.
When carrying in outdoor unit, be sure to support it at four points. Carrying in and lifting with 3-point support may make outdoor unit unstable, resulting in a fall of it.
Be sure to safety dispose the packing materials.
Packing materials, such as catches and other metal or wooden parts, may cause stabs or other injuries.

Do not leave the mounting base being damaged.

The damaged base may cause the falling down of the unit which may give injury.

Turn on the main power switch more than 6 hours before starting operation.

Do not turn the main power switch OFF during seasons of heavy use, doing so can result in failure.

Do not touch the compressor or refrigerant piping without wearing glove on your hands.

Touching directly such part can cause a burn or frostbite as it becomes high or low temperature according to the refrigerant state.

Do not touch the metal edges inside the unit without wearing glove on your hands.

Touching directly it may injure your hands.

Do not remove the panel or the fan guard from the unit when it is running.

You could be injured if you touch rotating, hot or high-voltage parts.

Do not operate the air conditioner without the air filter set place.

Dust may accumulate, and cause a failure.

At emergency (if you smell something burning), stop operation and turn the power source switch off.

Continuing the operation without eliminating the emergency state may cause a machine trouble, fire, or electrical shock.

After stopping operation, be sure to wait for five minutes before turning off the main power switch.

Otherwise, water leakage or unit failure may occur.

Remote controller is not installed for the place where direct sunshine strikes.**Remote controller is not pushed with the thing sharpening ahead.**

It occasionally causes the electric shock and the break-down.

A COMPLETE LINE UP

		PEH-5	PE(H)-7	PE(H)-8	PE(H)-10	PE(H)-15	PE(H)-20
Cooling capacity	kW	14.4	17.9	22.0	28.8	44.0	57.6
	Btu/h	49,150	61,000	75,100	98,300	150,200	196,600
	kcal/h	12,400	15,400	18,900	24,800	37,900	49,600
Heating capacity (PEH only)	kW	14.4	18.8	22.0	28.8	44.0	57.6
	Btu/h	49,150	64,100	75,100	98,300	150,200	196,600
	kcal/h	12,400	16,200	18,900	24,800	37,900	49,600

Note: Cooling & heating capacities are based following conditions.
 Cooling: Indoor:27°CDB, 19 °C WB; Outdoor: 35 °CDB
 Heating: Indoor:21°CDB; Outdoor: 7 °CDB, 6 °CWB (PEH only)
 Cooling and Heating capacities are based 5m pipe length

Indoor unit

Example PEH-7



Outdoor unit

Example PUH-7



FEATURES

High sensible cooling capacity.

The sensible cooling capacity has been significantly improved through balanced optimised heat exchanger design.

Comfort heating. (PEH only)

The PEH series are designed to provide effective heating even when the outside temperature is down to -10°C.

Highly efficient operation.

The EER(Energy Efficiency Ratio) on these models is greatly improved by revised design specifications and by being manufactured stringently to Mitsubishi Electric high quality standards.

Flexibility of Supply Air Delivery

PE, PEH-15,20 feature belt driven Supply Air fans enabling accurate matching of actual airflow rates to the specified quantities. Accurate commissioning is assisted by the capability to change pulleys and belts if necessary to achieve the desired air balance.

Low ambient cooling. (Special order)

In applications with relatively high internal loads, there may be a requirement for all series to operate on cooling at low ambient conditions. Special order parts is available to maintain the refrigeration circuit in balance at outdoor temperatures as low as -5°C.

Please consult your local Mitsubishi Electric Sales office for application advice on these parts.

Labour saving installation.

The unit operation can commence immediately after connecting to the power supply, refrigerant piping, drain piping, ducting and control system.

Wide electrical control capability.

All series is flexible mechanical control configuration.

In addition Global Remote Controller is prepared as special order.

The Global Remote Controller gives the programmable weekly timer, compressor anti-short cycle timer(3min.), cool/heat/fan/auto changeover etc.(Heat and auto changeover are only PEH.)

The factory standard is for provision of 24 volt terminal block to enable a field wired control of contractors choice to be connected.

Please consult your local Mitsubishi Electric Sales office for application advice on these control.



Global Remote Controller

DESCRIPTIONS

Mitsubishi Electric air conditioners series PE(H)/PU(H) are available in a wide range of sizes and models to enables the designer to select the best model for each application.

All series units are completely assembled, wired and strictly tested at the factory.

With the development of all series demands for such features as light weight, compactness, increased capacity, appropriate static pressure, air flow control, and having flexibility of inter facing energy saving electronic controls, Mitsubishi Electric have met market expectations.

MECHANICAL SPECIFICATIONS

General

All units are factory assembled, piped, internally wired. They are also tested and checked under a strict quality control system in the factory.

Exterior surfaces of all units of outdoor unit are phosphatized, zinc-coated steel with powder coating and ivory white baked enamel finish.

Refrigeration Controls

Refrigeration controls include condenser fan, evaporator fan and compressor contactors.

Compressors

All units have high efficiency type hermetic line starting compressors.

Compressors are equipped with thermal overload protector, over-current relay and high pressure protection control.

Crankcase heaters are standard.

Evaporator Coils

Highly efficient cross-finned coil are applied to provide a larger cooling capacity with low air speed on the coil. Coils are made of 9.52mm OD and 0.35mm thick seamless copper tubing mechanically bonded to 0.12mm thick aluminium fins and are factory leak tested at a pressure of 3.3MPa. They are provided with strainers attached to the capillary tubes to further ensure a clean system.

Condenser Coils

Unnecessary power input due to higher discharge pressure is avoided by high performance designs of cross-finned coil.

Condenser coils are made of 9.52mm OD, 0.35mm thick seamless copper tubes mechanically bonded to 0.12mm thick aluminium fins and factory pressure and leak tested at 3.3MPa.

Evaporator Fans

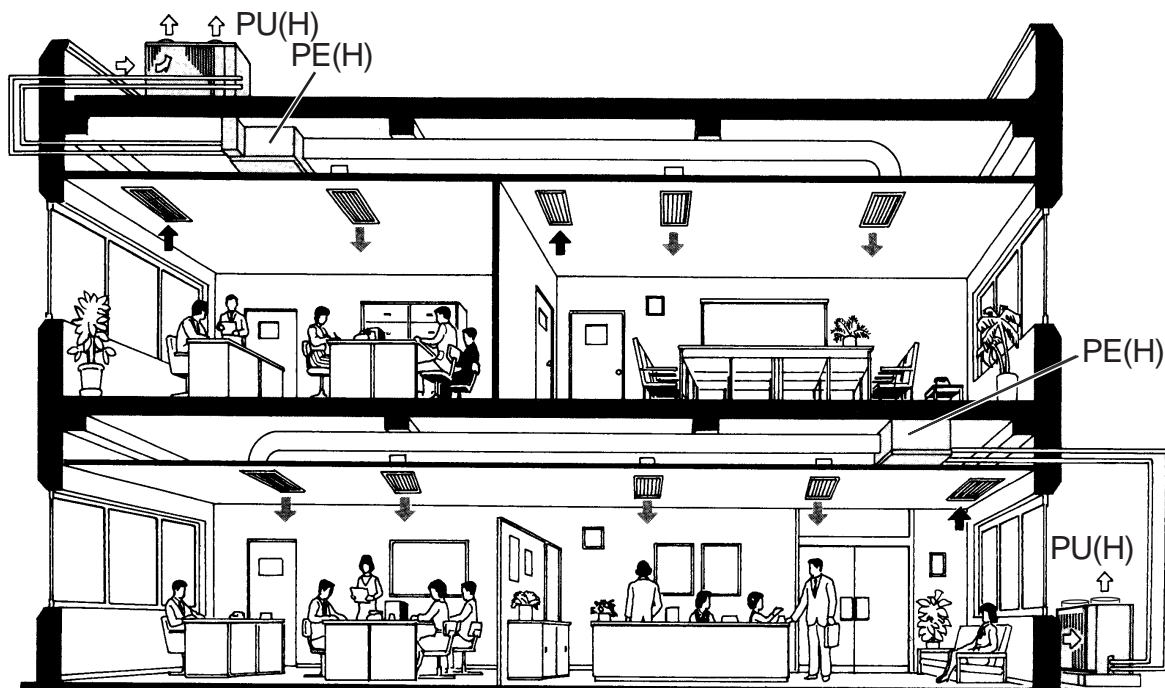
The sirocco fans are made of galvanised steel and balanced to proved accurate air flow performance at low noise level.

Condenser Fan

The direct-drive propeller fan is dynamically balanced, to ensure smooth airflow.

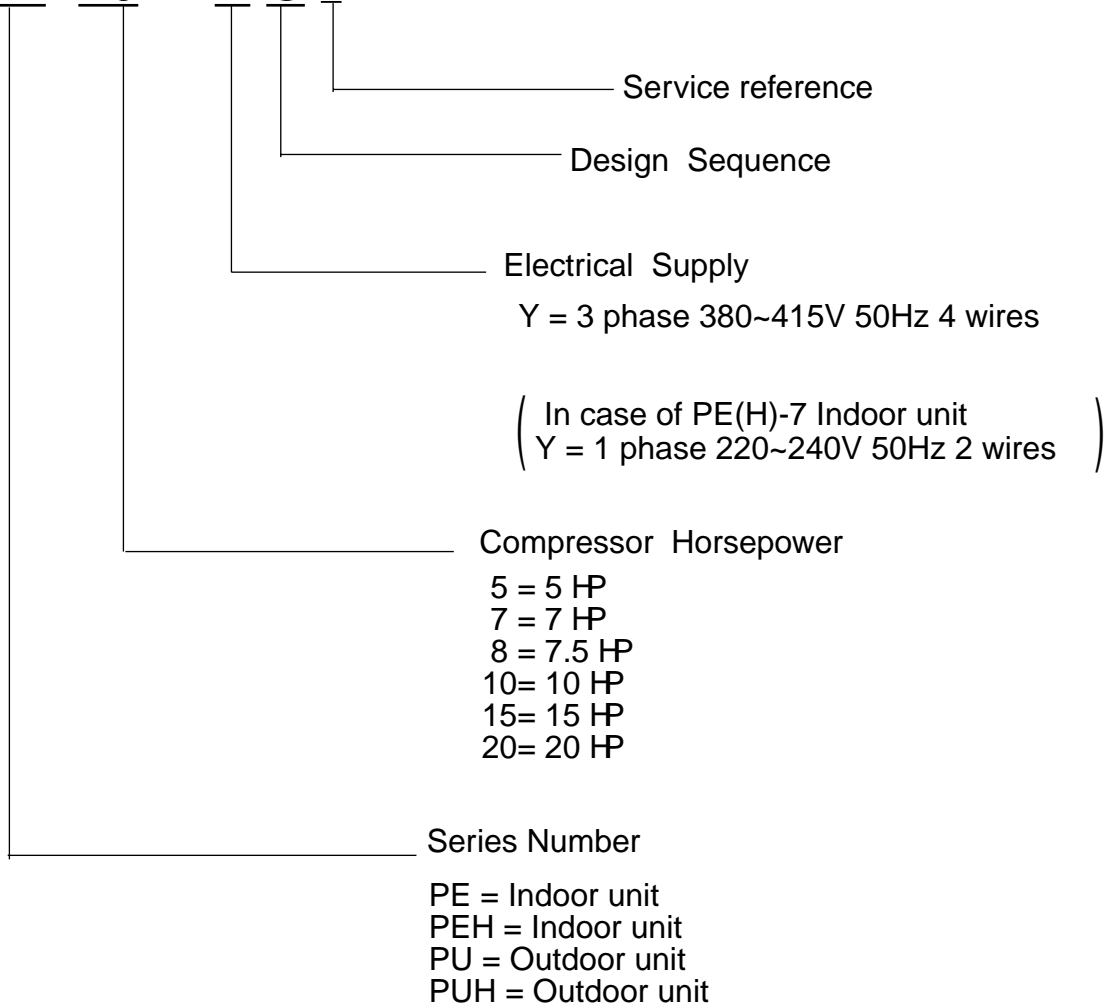
A weatherproof three-phase squirrel cage induction motor is used to drive the condenser fan.

TYPICAL INSTALLATION EXAMPLE



MODEL-DESIGNATION BREAKDOWN

PE-10MYC1



SPECIFICATIONS

PE-7~20MYC

Cooling only

Model name		PE-7MYC	PE-8MYC	PE-10MYC	PE-15MYC	PE-20MYC	
Service reference		PE-7MYC-EU	PE-8MYC-EU	PE-10MYC-EU	PE-15MYC-EU	PE-20MYC-EU	
Power supply	Indoor	1PH 2W220~240V 50Hz		3PH 4W380 ~ 415V 50Hz			
	Outdoor	3PH 4W 380~415V 50Hz		3PH 4W380 ~ 415V 50Hz			
Total cooling capacity		kW	17.9	22.0	28.8	44.0	57.6
		Btu/h	61,100	75,100	98,300	150,200	196,600
		kcal/h	15,400	18,900	24,800	37,900	49,600
Sensible cooling capacity		kW	14.3	17.6	23.0	35.2	46.1
		Btu/h	48,800	60,100	78,500	120,200	157,300
		kcal/h	12,300	15,100	19,800	30,200	39,600
Capacity step		%			0-100	0-50-100	
Refrigerant		R-22					
Refrigerant charge		kg	5.7	5.0	8.7	2 X 4.8	2 X 9.7
Refrigerant control		Capillary tube					
Indoor Unit	Model name	PE-7MYC	PE-8MYC	PE-10MYC	PE-15MYC	PE-20MYC	
	Service reference	PE-7MYC-EU	PE-8MYC-EU	PE-10MYC-EU	PE-15MYC-EU	PE-20MYC-EU	
External finish		Galvanized steel					
Dimension	Height	mm	428		706		
	Width	mm	1,415		1,615	1,993	
	Depth	mm	650		865		
Net weight		kg	67	70	84	180	212
Indoor coil		Cross fin coil					
Indoor fan		Centrifugal (Galvanized) - Direct drive			Centrifugal (Galvanized) - Belt drive		
Indoor fan motor		Single phase induction motor		Three phase induction motor			
No. X Motor output		kW	1 X 0.21	1 X 0.7	1 X 1.0	1 X 2.2	1 X 3.7
Indoor fan air flow		CMM	60	70	90	140	180
		CFM	2,119	2,472	3,179	4,945	6,358
		L/S	1,000	1,167	1,500	2,333	3,000
External static pressure		mmAq	12.5		20		
		Pa	125		200		
Sound pressure level		dB(A)	55	56	59	61	62
Drain connection		mm	25.4				
Outdoor unit	Model name	PU-7MYC	PU-8MYC	PU-10MYC	PU-15MYC	PU-20MYC	
	Service reference	PU-7MYC ₁ -EU(S)	PU-8MYC ₁ -EU(S)	PU-10MYC ₁ -EU(S)	PU-15MYC ₁ -EU(S)	PU-20MYC ₁ -EU(S)	
External finish		Acrylic resin coating					
Color		Munsell 5Y 8/1					
Dimension	Height	mm	980		1,230	961	
	Width	mm	1,400		998	1,996	
	Depth	mm	700		998		
Net weight		kg	202	205	230	285	360
Compressor		Hermetic line start(reciprocating)					
No. X Motor output		kW	1 X 5.0	1 X 5.5	1 X 7.5	2 X 5.5	2 X 7.5
Outdoor coil		Cross fin coil					
Outdoor fan		Propeller-Direct drive					
Outdoor fan motor		Three phase induction motor					
No. X Motor output		kW	2 X 0.09	2 X 0.15		1 X 0.24	2 X 0.24
Outdoor fan air flow		CMM	190	210	220	240	480
		CFM	6,711	7,415	7,770	8,477	16,954
		L/S	3,167	3,000	3,667	4,000	8,000
Sound pressure level		dB(A)	65	65	65	67	68
Protection devices		High pressure switch, freeze & frost protection, Fuse Over current relay (comp & indoor fan, outdoor fan) Internal thermostat (comp & indoor fan, outdoor fan)					

Note 1. Cooling capacity is based on the following conditions.

Indoor; 27°C DB, 19°C CWB, Outdoor; 35°C DB

Cooling capacity is based 5m pipe length.

2. Refrigerant charge volumes are factory charged (at 5m piping length). Refrigerant is enclosed with the outdoor unit.

3. Capacity is gross capacity which do not include a deduction for evaporator fan motor heat.

4. The measuring point of the Sound pressure level is 1m from the unit surface.

5. Specification subject to change without notice.

PEH-5,7,8MYA

Heat pump

Model name			PEH-5MYA	PEH-7MYA	PEH-8MYA
Service reference			PEH-5MYA-EU	PEH-7MYA-EU	PEH-8MYA-EU
Power supply	Indoor		3PH 4W380~415V 50Hz	1PH 2W220~240V 50Hz	3PH 4W380~415V 50Hz
	Outdoor		3PH 4W380~415V 50Hz	3PH 4W380~415V 50Hz	3PH 4W380~415V 50Hz
Total cooling capacity		kW	14.4	17.9	22.0
		Btu/h	49,150	61,100	75,100
		kcal/h	12,400	15,400	18,900
Sensible cooling capacity		kW	11.5	14.3	17.6
		Btu/h	39,400	48,800	60,100
		kcal/h	10,000	12,300	15,100
Sensible heating capacity		kW	14.4	18.8	22.0
		Btu/h	49,150	64,100	75,100
		kcal/h	12,400	16,200	18,900
Capacity step		%	0-100		
Refrigerant			R-22		
Refrigerant charge		kg	5.0	5.7	6.6
Refrigerant control			Capillary tube		
Indoor Unit	Model name		PEH-5MYA	PEH-7MYA	PEH-8MYA
	Service reference		PEH-5MYA-EU	PEH-7MYA-EU	PEH-8MYA-EU
External finish			Galvanized steel		
Dimension	Height	mm	428		
	Width	mm	1,095	1,415	
	Depth	mm	650		
Net weight		kg	60	67	70
Indoor coil			Cross fin coil		
Indoor fan			Centrifugal (Galvanized) - Direct drive		
Indoor fan motor			Three phase induction motor	Single phase induction motor	Three phase induction motor
No. X Motor output		kW	1 X 0.45	1 X 0.21	1 X 0.7
Indoor fan air flow		CMM	42	60	70
		CFM	1,483	2,119	2,472
		L/S	700	1,000	1,167
External static pressure		mmAq	12.5		
		Pa	125		
Sound pressure level		dB(A)	55		56
Drain connection		mm	25.4		
Outdoor unit	Model name		PUH-5MYE	PUH-7MYC	PUH-8MYC
	Service reference		PUH-5MYE-EU	PUH-7MYC1-EU(S)	PUH-8MYC1-EU(S)
External finish			Acrylic resin coating		
Color			Munsell 5Y 8/1		
Dimension	Height	mm	1,175	980	1,175
	Width	mm	1,000	1,400	1,250
	Depth	mm	550	700	550
Net weight		kg	150	211	214
Compressor			Hermetic line start(reciprocating)		
No. X Motor output		kW	1 X 3.73	1 X 5.5	
Outdoor coil			Cross fin coil		
Outdoor fan			Propeller-Direct drive		
Outdoor fan motor			Three phase induction motor		
No. X Motor output		kW	1 X 0.15	2 X 0.09	1 X 0.35
Outdoor fan air flow		CMM	95	167	200
		CFM	3,355	5,898	7,063
		L/S	1,583	2,783	3,333
Sound pressure level		dB(A)	57	65	65
Protection devices			High pressure switch, freeze & frost protection, Fuse Over current relay (comp & indoor fan, outdoor fan) Internal thermostat (comp & indoor fan, outdoor fan)		

Note 1. Cooling and heating capacities are based on the following conditions.

Cooling indoor; 27°CDB, 19°CWB, outdoor :35°CDB

Heating indoor; 21°CDB, outdoor :7.0°CDB, 6.0°CWB

Cooling and heating capacities are based 5m pipe length.

2. Refrigerant charge volumes are factory charged (at 5m piping length). Refrigerant is enclosed with the outdoor unit.
3. Capacity is gross capacity which do not include a deduction for evaporator fan motor heat.
4. The measuring point of the Sound pressure level is 1m from the unit surface.
5. Specification subject to change without notice.

PEH-10,15,20MYA

Heat pump

Model name			PEH-10MYA	PEH-15MYA	PEH-20MYA
Service reference			PEH-10MYA-EU	PEH-15MYA-EU	PEH-20MYA-EU
Power supply	Indoor		3PH 4W380 – 415V 50Hz		
	Outdoor		3PH 4W380 – 415V 50Hz		
Total cooling capacity		kW	28.8	44.0	57.6
		Btu/h	98,300	150,200	196,600
		kcal/h	24,800	37,900	49,600
Sensible cooling capacity		kW	23.0	35.2	46.0
		Btu/h	78,500	120,200	157,000
		kcal/h	19,800	30,200	39,600
Sensible heating capacity		kW	28.8	44.0	57.6
		Btu/h	98,300	150,200	196,600
		kcal/h	24,800	37,800	49,500
Capacity step	%	0-100		0-50-100	
Refrigerant		R-22			
Refrigerant charge	kg	9.9	2 X 6.6	2 X 9.7	
Refrigerant control		Capillary tube			
Indoor Unit	Model name		PEH-10MYA	PEH-15MYA	PEH-20MYA
	Service reference		PEH-10MYA-EU	PEH-15MYA-EU	PEH-20MYA-EU
External finish		Galvanized steel			
Dimension	Height	mm	428	706	
	Width	mm	1,615	1,690	1,993
	Depth	mm	650	865	
Net weight	kg	84	180	212	
Indoor coil		Cross fin coil			
Indoor fan		Centrifugal (Galvanized) - Direct drive		Centrifugal (Galvanized) - Belt drive	
Indoor fan motor		Three phase induction motor			
No. X Motor output	kW	1 X 1.0		1 X 2.2	1 X 3.7
Indoor fan air flow	CMM	90		140	180
	CFM	3,179		4,945	6,358
	L/S	1,500		2,333	3,000
External static pressure	mmAq	12.5		20	
	Pa	125		200	
Sound pressure level	dB(A)	59	61	62	
Drain connection	mm	25.4			
Outdoor unit	Model name		PUH-10MYC	PUH-10MYE	PUH-15MYC
	Service reference		PUH-10MYC1-EU(S)	PUH-10MYE-EU	PUH-15MYC1-EU(S)
External finish		Acrylic resin coating			
Color		Munsell 5Y 8/1			
Dimension	Height	mm	980	1,175	1,200
	Width	mm	1,400	1,250	1,951
	Depth	mm	700	550	1,080
Net weight	kg	240	221	431	472
Compressor		Hermetic line start(reciprocating)			
No. X Motor output	kW	1 X 7.5		2 X 5.5	2 X 7.5
Outdoor coil		Cross fin coil			
Outdoor fan		Propeller-Direct drive			
Outdoor fan motor		Three phase induction motor			
No. X Motor output	kW	2 X 0.15	0.35	2 X 0.35	
Outdoor fan air flow	CMM	190	200	2 X 185	
	CFM	6,711	7,063	2 X 6,534	
	L/S	3,167	3,333	2 X 3,083	
Sound pressure level	dB(A)	65		69	
Protection devices		High pressure switch, freeze & frost protection, Fuse Over current relay (comp & indoor fan, outdoor fan) Internal thermostat (comp & indoor fan, outdoor fan)			

Note 1. Cooling and heating capacities are based on the following conditions.

Cooling indoor; 27°CDB, 19°CWB, outdoor :35°CDB

Heating indoor; 21°CDB, outdoor :7.0°CDB, 6.0°CWB

Cooling and heating capacities are based 5m pipe length.

2. Refrigerant charge volumes are factory charged (at 5m piping length).Refrigerant is enclosed with the outdoor unit.

3. Capacity is gross capacity which do not include a deduction for evaporator fan motor heat.

4. The measuring point of the Sound pressure level is 1m from the unit surface.

5. Specification subject to change without notice.

ELECTRICAL DATA

PE-7~20MYC-EU

Cooling

VOLT	ITEM		PE-7MYC-EU	PE-8MYC-EU	PE-10MYC-EU	PE-15MYC-EU	PE-20MYC-EU
			PU-7MYC1-EU	PU-8MYC1-EU	PU-10MYC1-EU	PU-15MYC1-EU	PU-20MYC1-EU
PE-7 240V	TOTAL INPUT	kW	7.2	7.8	10.1	17.6	22.0
	TOTAL RUN CURRENT	A	14.6	14.2	18.9	29.6	39.1
	POWER FACTOR	%	-	74	74	83	78
	START CURRENT	A	74	83	82	119	140
PE-8~20 415V	COMPRESSOR INPUT	kW	6.0	6.8	8.6	2X7.65	2X9.2
	RUN CURRENT	A	10.7	12.3	15.9	2X12.45	2X15.95
	INDOOR FAN INPUT	kW	0.8	0.6	1.0	1.7	2.4
	RUN CURRENT	A	3.2	1.2	2.0	3.5	4.8
	OUTDOOR FAN INPUT	kW	0.4	0.4	0.5	0.6	2X0.6
	RUN CURRENT	A	0.7	0.7	1.0	1.2	2X1.2
	TOTAL INPUT	kW	7.2	7.8	10.1	17.6	22.0
	TOTAL RUN CURRENT	A	15.9	15.5	20.7	32.3	42.7
PE-7 220V	POWER FACTOR	%	-	74	74	83	78
	START CURRENT	A	81	91	90	131	152
	COMPRESSOR INPUT	kW	6.0	6.8	8.6	2X7.65	2X9.2
	RUN CURRENT	A	11.6	13.4	17.6	2X13.65	2X17.55
PE-8~20 380V	INDOOR FAN INPUT	kW	0.8	0.6	1.0	1.7	2.4
	RUN CURRENT	A	3.5	1.3	2.1	3.8	5.2
	OUTDOOR FAN INPUT	kW	0.4	0.4	0.5	0.6	2X0.6
	RUN CURRENT	A	0.8	0.8	1.0	1.2	2X1.2

PEH-5,7,8MYA-EU

Cooling

VOLT	ITEM		PEH-5MYA-EU	PEH-7MYA-EU	PEH-8MYA-EU	
			PUH-5MYE-EU	PUH-7MYC1-EU	PUH-8MYC1-EU	PUH-8MYE-EU
PEH-7 240V	TOTAL INPUT	kW	5.5	7.2	7.8	7.9
	TOTAL RUN CURRENT	A	9.5	14.6	14.2	14.7
	POWER FACTOR	%	80	-	76	75
	START CURRENT	A	69	74	83	83
	COMPRESSOR INPUT	kW	4.7	6.0	6.8	6.77
PEH-8~20 415V	RUN CURRENT	A	8.1	10.7	12.3	12.3
	INDOOR FAN INPUT	kW	0.54	0.8	0.6	0.6
	RUN CURRENT	A	0.9	3.2	1.2	1.2
	OUTDOOR FAN INPUT	kW	0.25	0.4	0.4	0.53
	RUN CURRENT	A	0.5	0.7	0.7	1.2
PEH-7 220V	TOTAL INPUT	kW	5.5	7.2	7.8	7.9
	TOTAL RUN CURRENT	A	10.4	15.9	15.5	16.0
	POWER FACTOR	%	80	-	76	75
	START CURRENT	A	69	81	91	91
	COMPRESSOR INPUT	kW	4.7	6.0	6.8	6.77
PEH-8~20 380V	RUN CURRENT	A	8.85	11.6	13.4	13.4
	INDOOR FAN INPUT	kW	0.54	0.8	0.6	0.6
	RUN CURRENT	A	1.0	3.5	1.3	1.3
	OUTDOOR FAN INPUT	kW	0.25	0.4	0.4	0.53
	RUN CURRENT	A	0.55	0.8	0.8	1.3

Heating

VOLT	ITEM		PEH-5MYA-EU	PEH-7MYA-EU	PEH-8MYA-EU	
			PUH-5MYE-EU	PUH-7MYC1-EU	PUH-8MYC1-EU	PUH-8MYE-EU
PEH-7 240V	TOTAL INPUT	kW	4.5	6.3	6.5	6.6
	TOTAL RUN CURRENT	A	8.5	13.6	12.4	12.9
	POWER FACTOR	%	73	-	73	71
	START CURRENT	A	69	74	83	83
	COMPRESSOR INPUT	kW	3.7	5.1	5.5	5.47
PEH-8~20 415V	RUN CURRENT	A	7.1	9.7	10.5	10.5
	INDOOR FAN INPUT	kW	0.54	0.8	0.6	0.6
	RUN CURRENT	A	0.9	3.2	1.2	1.2
	OUTDOOR FAN INPUT	kW	0.25	0.4	0.4	0.53
	RUN CURRENT	A	0.5	0.7	0.7	1.2
PEH-7 220V	TOTAL INPUT	kW	4.5	6.3	6.5	6.6
	TOTAL RUN CURRENT	A	9.2	14.9	13.6	14.1
	POWER FACTOR	%	74	-	73	71
	START CURRENT	A	69	81	91	91
	COMPRESSOR INPUT	kW	3.7	5.1	5.5	5.47
PEH-8~20 380V	RUN CURRENT	A	7.75	10.6	11.5	11.5
	INDOOR FAN INPUT	kW	0.54	0.8	0.6	0.6
	RUN CURRENT	A	1.0	3.5	1.3	1.3
	OUTDOOR FAN INPUT	kW	0.25	0.4	0.4	0.53
	RUN CURRENT	A	0.55	0.8	0.8	1.3

PEH-10,15,20MYA-EU

Cooling

VOLT	ITEM		PEH-10MYA-EU		PEH-15MYA-EU	PEH-20MYA-EU
			PUH-10MYC1-EU	PUH-10MYE-EU	PUH-15MYC1-EU	PUH-20MYC1-EU
PEH-7 240V	TOTAL INPUT	kW	10.1	10.2	16.9	21.8
	TOTAL RUN CURRENT	A	18.9	19.1	30.9	39.3
	POWER FACTOR	%	74	74	76	77
	START CURRENT	A	82	82	119	140
PEH-8~20 415V	COMPRESSOR INPUT	kW	8.57	8.67	2X6.77	2X9.12
	RUN CURRENT	A	15.9	15.9	2X12.2	2X16.1
	INDOOR FAN INPUT	kW	1.0	1.0	2.3	2.5
	RUN CURRENT	A	2.0	2.0	4.1	4.7
	OUTDOOR FAN INPUT	kW	0.53	0.53	2X0.53	2X0.53
	RUN CURRENT	A	1.0	1.2	2X1.2	2X1.2
	TOTAL INPUT	kW	10.1	10.2	16.9	21.8
	TOTAL RUN CURRENT	A	20.7	21.0	33.7	42.9
PEH-7 220V	POWER FACTOR	%	74	74	76	77
	START CURRENT	A	90	90	131	152
	COMPRESSOR INPUT	kW	8.57	8.67	2X6.77	2X9.12
	RUN CURRENT	A	17.6	17.6	2X13.3	2X17.6
PEH-8~20 380V	INDOOR FAN INPUT	kW	1.0	1.0	2.3	2.5
	RUN CURRENT	A	2.1	2.1	4.5	5.1
	OUTDOOR FAN INPUT	kW	0.53	0.53	2X0.53	2X0.53
	RUN CURRENT	A	1.1	1.3	2X1.3	2X1.3

Heating

VOLT	ITEM		PEH-10MYA-EU		PEH-15MYA-EU	PEH-20MYA-EU
			PUH-10MYC1-EU	PUH-10MYE-EU	PUH-15MYC1-EU	PUH-20MYC1-EU
PEH-7 240V	TOTAL INPUT	kW	8.3	8.6	14.5	17.2
	TOTAL RUN CURRENT	A	16.0	16.2	26.9	33.2
	POWER FACTOR	%	72	72	75	72
	START CURRENT	A	82	82	115	136
PEH-8~20 415V	COMPRESSOR INPUT	kW	6.77	7.07	2X5.57	2X6.82
	RUN CURRENT	A	13.0	13.0	2X10.2	2X13.05
	INDOOR FAN INPUT	kW	1.0	1.0	2.3	2.5
	RUN CURRENT	A	2.0	2.0	4.1	4.7
	OUTDOOR FAN INPUT	kW	0.53	0.53	2X0.53	2X0.53
	RUN CURRENT	A	1.0	1.2	2X1.2	2X1.2
	TOTAL INPUT	kW	8.3	8.6	14.5	17.2
	TOTAL RUN CURRENT	A	17.5	17.8	29.4	36.3
PEH-7 220V	POWER FACTOR	%	72	72	75	72
	START CURRENT	A	90	90	126	148
	COMPRESSOR INPUT	kW	6.77	7.07	2X5.57	2X6.82
	RUN CURRENT	A	14.4	14.4	2X11.15	2X14.25
PEH-8~20 380V	INDOOR FAN INPUT	kW	1.0	1.0	2.3	2.5
	RUN CURRENT	A	2.1	2.1	4.5	5.1
	OUTDOOR FAN INPUT	kW	0.53	0.53	2X0.53	2X0.53
	RUN CURRENT	A	1.1	1.3	2X1.3	2X1.3

SELECTION PROCEDURE

1. Model Selection (With actual examples)

First step, to select the approximate model:

Based on the cooling load and the cooling capacity listed in the capacity table, select the applicable model.

Second step, to select the model:

To select the model, the following conditions must be known:

- (1) Total cooling load or sensible cooling load
- (2) Indoor conditioned temperature (WB*1, DB)
- (3) Designed outdoor temperature (DB)*2
- (4) Designed air flow
- (5) Designed external static pressure (= Wind pressure loss of air duct)*3

Notes:

- *1. The correct WB is required since it has a serious effect on the capacity.
- *2. The cooling capacity decreases as the outdoor temperature increases. Therefore, the estimated highest temperature during an air conditioning time frame is the "designed outdoor temperature". However, it is recommended that the abnormal outdoor temperature which may occur once or twice a year be excluded from the calculation to avoid selection of an excessively large capacity model.
- *3. The wind pressure loss of an air duct should be calculated correctly. If a value having an excessive allowance is used, an excessively large model will be selected. Moreover, an excessively high air flow will be induced during actual operation causing the generation of high operating sounds and carry-over of condensed water.

(Step-1) Confirmation of operation range

Confirm that the conditions given above for the model to be selected are within the operation range listed on Page 36.

(Step-2) Calculation of actual air flow, external static pressure, and fan motor input

Based on the designed air flow and external static pressure, obtain the actual air flow, actual external static pressure, and fan motor power input from the fan performance table for the model selected. For an explanation of how to use the fan performance table, see the following examples.

Example: PE-8MYC, 50Hz

Example 1. (To operate with values near to the designed air flow and external static pressure.)

Condition : Designed air flow 70CMM

Designed external static pressure 60Pa

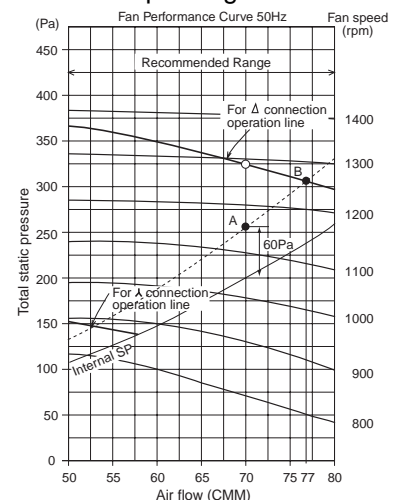
Calculation : The designed point is A. Therefore, duct resistance line passing A is dotted line.

Therefore, actual point is B for Δ connection

Actual air flow = 77CMM

Actual external static pressure = 70Pa

Notes: Duct resistance line is secondary curve.



(Step-3) Calculation of net capacity

Based on the indoor conditioned temperature (WB,DB), designed outdoor temperature (DB), and the actual air flow obtained in Step-2, obtain the gross capacity from the gross capacity tables (pages 16~35). Then, calculate the net capacity from the formula below by using the fan motor input obtained in Step-2.

Net capacity (kW) = Gross capacity (kW) - Fan motor input (kW)

Example: PE-8MYC

Condition:

Indoor conditioned temp. : 26°CDB, 19°CWB

Designed outdoor temp. : 40°CDB

Actual air flow : 77CMM

Fan motor input : 0.6kW (See P.11)

Calculation :

The sections of the gross capacity table applicable for the above conditions are shown right.

At 26°CDB, 19°CWB of Indoor,
Q = 21.3, SHC = 16.3, T/I = 8.3

Therefore, when air flow is 77(CMM)
 $Q = 21.3 \times (1 + (1.025 - 1.0) \times 7/10^*) \doteq 21.7(\text{kW})$
 $\text{SHC} = 16.3 \times (1 + (1.044 - 1.0) \times 7/10^*) \doteq 16.8(\text{kW})$
 $\text{T/I} = 8.3 \times (1 + (1.009 - 1.0) \times 7/10^*) \doteq 8.4(\text{kW})$

Therefore, the net capacity is,
 Net total cooling capacity = 21.7 (kw) - 0.6(kW)
 = 21.1 (kW)
 Net sensible cooling capacity = 16.8 (kW) - 0.6 (kW)
 = 16.2 (kW)

INDOOR DB°C	INDOOR WB°C	OUTDOOR DB°C				
		40.0				
		Q kW	SHC kW	SHF	T/I kW	
		⋮	⋮	⋮	⋮	⋮
26	19	21.3	16.3	0.77	8.3	
		⋮	⋮	⋮	⋮	⋮

Factor for Various Air Flow

PE-8MYC-EU	AIR VOLUME	CMM	60	70	80
		L/S	1,000	1,167	1,330
COOLING	CAPACITY		0.976	1.0	1.025
	TOTAL INPUT		0.991	1.0	1.009
	SHC		0.963	1.0	1.044

Note * : 7/10 = (77-70)/(80-70)

2. Efficiency Calculation

- Refrigerant cycle energy efficiency

(1) $\text{COP} = \frac{\text{Gross total cooling capacity (kW)}}{\text{Compressor input (kW)}}$

(2) $\text{ERR} = \frac{\text{Gross total cooling capacity (kW)}}{\text{Total input (kW)}}$

- System energy efficiency

(1) $\text{COP} = \frac{\text{Net cooling capacity (kW)}}{\text{Compressor input (kW)}}$

(2) $\text{ERR} = \frac{\text{Net cooling capacity (kW)}}{\text{Total input (kW)}}$

1kW = 3412Btu/h

Notes: 1. COP : Coefficient of performance

2. EER : Energy efficiency ratio

3. Temperature condition of COP, EER (ARI Standard Ratings)

Indoor entering air temp. : 80°FDB (=27°CDB), 66°FWB(=19°CWB)

Outdoor entering air temp. : 95°FDB (=35°CDB)

4. Total input = Compressor input + Indoor fan motor input + Outdoor fan motor input (page 11).

CAPACITY TABLES

Cooling Capacity (Standard Air Flow) PEH-5MYE-EU

INDOOR DB °C	INDOOR WB °C	OUTDOOR DB°C																							
		20.0				25.0				30.0				35.0				40.0				46.0			
		Q kW	SHCkW	SHF	T/I kW	Q kW	SHCkW	SHF	T/I kW	Q kW	SHCkW	SHF	T/I kW	Q kW	SHCkW	SHF	T/I kW	Q kW	SHCkW	SHF	T/I kW	Q kW	SHCkW	SHF	T/I kW
20	15	13.9	9.8	0.71	4.4	13.5	9.6	0.71	4.6	13.1	9.4	0.72	4.9	12.6	9.1	0.72	5.3	12.0	8.8	0.74	5.7	11.3	8.5	0.75	6.1
	16	14.5	9.1	0.63	4.5	14.1	8.9	0.64	4.7	13.6	8.7	0.64	5.0	13.0	8.3	0.64	5.3	12.4	8.1	0.65	5.8	11.7	7.7	0.66	6.2
	17	15.0	8.3	0.56	4.5	14.6	8.2	0.56	4.7	14.1	7.9	0.56	5.0	13.5	7.5	0.56	5.4	12.8	7.3	0.57	5.8	12.1	6.9	0.57	6.3
22	15	13.9	11.3	0.81	4.4	13.5	11.1	0.82	4.6	13.1	10.9	0.84	4.9	12.6	10.7	0.85	5.3	12.0	10.4	0.87	5.7	11.3	10.1	0.89	6.1
	16	14.5	10.6	0.74	4.5	14.1	10.5	0.75	4.7	13.6	10.2	0.76	5.0	13.0	10.0	0.77	5.3	12.4	9.7	0.78	5.8	11.7	9.4	0.80	6.2
	17	15.0	9.9	0.66	4.5	14.6	9.8	0.67	4.7	14.1	9.5	0.68	5.0	13.5	9.2	0.68	5.4	12.8	8.9	0.70	5.8	12.1	8.6	0.71	6.3
24	18	15.6	9.1	0.59	4.5	15.1	9.0	0.59	4.8	14.6	8.7	0.60	5.1	14.0	8.5	0.61	5.4	13.3	8.2	0.62	5.9	12.5	7.8	0.63	6.3
	19	16.1	8.3	0.51	4.6	15.6	8.1	0.52	4.8	15.1	7.9	0.52	5.1	14.4	7.6	0.53	5.5	13.7	7.3	0.54	5.9	12.9	7.0	0.54	6.4
	20	16.5	12.3	0.85	4.5	14.1	12.1	0.86	4.7	13.6	11.9	0.88	5.0	13.0	11.6	0.89	5.3	12.4	11.3	0.92	5.8	11.7	11.0	0.94	6.2
26	17	15.0	11.5	0.77	4.5	14.6	11.3	0.78	4.7	14.1	11.1	0.79	5.0	13.5	10.8	0.80	5.4	12.8	10.6	0.82	5.8	12.1	10.2	0.85	6.3
	18	15.6	10.6	0.68	4.5	15.1	10.4	0.69	4.8	14.6	10.2	0.70	5.1	14.0	9.9	0.71	5.4	13.3	9.7	0.73	5.9	12.5	9.4	0.75	6.3
	19	16.1	9.8	0.61	4.6	15.6	9.6	0.61	4.8	15.1	9.4	0.62	5.1	14.4	9.1	0.63	5.5	13.7	8.8	0.65	5.9	12.9	8.5	0.66	6.4
28	20	17.3	9.3	0.54	4.6	16.8	9.1	0.54	4.9	16.2	8.8	0.54	5.2	15.5	8.5	0.55	5.5	14.7	8.2	0.56	6.0	13.8	7.9	0.57	6.4
	21	17.3	8.1	0.47	4.7	16.8	7.8	0.46	4.9	16.2	7.6	0.47	5.2	15.5	7.3	0.47	5.6	14.7	7.0	0.48	6.0	13.8	6.6	0.48	6.5
	22	17.9	12.1	0.78	4.5	15.1	11.9	0.79	4.8	14.6	11.7	0.81	5.1	14.0	11.4	0.82	5.4	13.3	11.2	0.85	5.9	12.5	10.9	0.87	6.3
30	19	16.1	11.3	0.70	4.6	15.6	11.1	0.71	4.8	15.1	10.9	0.72	5.1	14.4	10.6	0.74	5.5	13.7	10.4	0.76	5.9	12.9	10.0	0.78	6.4
	20	17.3	10.9	0.63	4.6	16.8	10.7	0.64	4.9	16.2	10.4	0.64	5.2	15.5	10.1	0.65	5.5	14.7	9.9	0.67	6.0	13.8	9.5	0.69	6.4
	21	17.3	9.8	0.57	4.7	16.8	9.6	0.57	4.9	16.2	9.4	0.58	5.2	15.5	9.1	0.58	5.6	14.7	8.8	0.60	6.0	13.8	8.5	0.62	6.5
32	22	17.9	9.0	0.50	4.7	17.4	8.8	0.51	5.0	16.8	8.6	0.51	5.3	16.0	8.3	0.52	5.7	15.2	8.1	0.53	6.1	14.3	7.7	0.54	6.6
	23	18.5	8.1	0.44	4.8	18.0	8.0	0.44	5.1	17.3	7.8	0.45	5.4	16.6	7.5	0.45	5.8	15.7	7.2	0.46	6.2	14.8	6.9	0.47	6.7
	24	19.0	13.0	0.81	4.6	15.6	12.8	0.82	4.8	15.1	12.6	0.84	5.1	14.4	12.4	0.86	5.5	13.7	12.1	0.89	5.9	12.9	11.7	0.91	6.4
34	20	17.3	12.7	0.73	4.6	16.8	12.5	0.74	4.9	16.2	12.3	0.76	5.2	15.5	12.1	0.78	5.5	14.7	11.8	0.80	6.0	13.8	11.4	0.83	6.4
	21	17.3	11.4	0.66	4.7	16.8	11.2	0.67	4.9	16.2	11.1	0.68	5.2	15.5	10.8	0.70	5.6	14.7	10.6	0.72	6.0	13.8	10.2	0.74	6.5
	22	17.9	10.7	0.60	4.7	17.4	10.5	0.60	5.0	16.8	10.3	0.62	5.3	16.0	10.1	0.63	5.7	15.2	9.8	0.64	6.1	14.3	9.4	0.66	6.6
36	23	18.5	9.8	0.53	4.8	18.0	9.7	0.54	5.1	17.3	9.5	0.55	5.4	16.6	9.3	0.56	5.8	15.7	8.9	0.57	6.2	14.8	8.6	0.58	6.7
	24	19.0	8.9	0.47	4.8	18.5	8.7	0.47	5.1	17.9	8.6	0.48	5.4	17.1	8.4	0.49	5.8	16.3	8.0	0.49	6.3	15.3	7.6	0.50	6.7
	20	17.3	14.0	0.81	4.6	16.8	13.8	0.82	4.9	16.2	13.5	0.83	5.2	15.5	13.2	0.85	5.5	14.7	13.0	0.89	6.0	13.8	12.7	0.92	6.4
38	21	17.3	12.9	0.75	4.7	16.8	12.7	0.75	4.9	16.2	12.5	0.77	5.2	15.5	12.2	0.78	5.6	14.7	11.9	0.81	6.0	13.8	11.6	0.84	6.5
	22	17.9	12.2	0.68	4.7	17.4	11.9	0.69	5.0	16.8	11.8	0.70	5.3	16.0	11.5	0.72	5.7	15.2	11.2	0.74	6.1	14.3	10.9	0.76	6.6
	23	18.5	11.5	0.62	4.8	18.0	11.3	0.63	5.1	17.3	11.1	0.64	5.4	16.6	10.8	0.65	5.8	15.7	10.5	0.67	6.2	14.8	10.1	0.69	6.7
40	24	19.0	10.7	0.56	4.8	18.5	10.5	0.57	5.1	17.9	10.3	0.58	5.4	17.1	10.1	0.59	5.8	16.3	9.7	0.60	6.3	15.3	9.3	0.61	6.7

Note1. * Q :COOLING CAPACITY SHC:SENSIBLE HEAT CAPACITY T/I:TOTAL INPUT

Factor for Various Air Flow

PEH-5MYE-EU	AIR VOLUME	CMM	35	42	50
		L/S	584	700	834
COOLING	CAPACITY	TOTAL INPUT	0.969	1.0	1.025
		SHC	0.989	1.0	1.009
		SHF	0.967	1.0	1.028

Heating Capacity (Standard Air Flow)

PEH-5MYE-EU

INDOOR DB°C	OUTDOOR WB °C					
	-10.0		-5.0		0.0	
	Q kW	T/l/kw	Q kW	T/l/kw	Q kW	T/l/kw
15	9.2	3.1	10.7	3.4	12.4	3.7
16	9.2	3.1	10.7	3.4	12.3	3.7
17	9.1	3.1	10.7	3.4	12.3	3.8
18	9.1	3.2	10.6	3.5	12.3	3.8
19	9.1	3.2	10.6	3.5	12.2	3.8
20	9.0	3.2	10.5	3.5	12.2	3.8
21	9.0	3.2	10.5	3.5	12.2	3.9
22	8.9	3.2	10.4	3.5	12.1	3.9
23	8.9	3.2	10.4	3.6	12.1	3.9
24	8.8	3.2	10.3	3.6	12.0	4.0
25	8.8	3.2	10.3	3.6	12.0	4.1
26	8.7	3.3	10.2	3.6	11.9	4.1
27	8.7	3.3	10.2	3.7	11.8	4.1

INDOOR DB°C	OUTDOOR WB °C					
	5.0		10.0		15.0	
	Q kW	T/l/kw	Q kW	T/l/kw	Q kW	T/l/kw
15	14.3	4.2	16.4	4.7	18.7	5.2
16	14.3	4.2	16.4	4.7	18.6	5.1
17	14.2	4.2	16.3	4.7	18.6	5.2
18	14.2	4.2	16.3	4.8	18.5	5.4
19	14.1	4.3	16.2	4.8	18.5	5.4
20	14.1	4.3	16.1	4.9	18.4	5.5
21	14.0	4.4	16.1	4.9	18.3	5.5
22	14.0	4.4	16.0	4.9	18.2	5.6
23	13.9	4.4	15.9	5.0	18.1	5.6
24	13.9	4.5	15.9	5.0	18.1	5.6
25	13.8	4.5	15.8	5.1	18.0	5.7
26	13.7	4.5	15.7	5.1	17.8	5.8
27	13.6	4.6	15.6	5.2	17.7	5.8

* Q: HEATING CAPACITY T/l: TOTAL INPUT

Factor for Various Air Flow

PEH-5MYA-EU	AIR VOLUME		CMM		L/S	
	35	42	50	584	700	834
HEATING	CAPACITY		0.987		1.0	
	TOTAL INPUT		1.021		1.0	

Cooling Capacity (Standard Air Flow) PE-7MYC-EU , PEH-7MYA-EU

INDOOR DB°C	OUTDOOR DB°C																				
	20.0			25.0			30.0			35.0			40.0			46.0					
WB °C	Q kW	SHCKW	SHF	T/I kW	Q kW	SHCKW	SHF	T/I kW	Q kW	SHCKW	SHF	T/I kW	Q kW	SHCKW	SHF	T/I kW	Q kW	SHCKW	SHF	T/I kW	
20	15	16.9	11.7	0.69	5.5	16.5	11.5	0.70	5.8	15.8	11.1	0.70	6.2	14.3	10.4	0.73	7.2	13.6	10.1	0.74	7.9
	16	17.7	10.8	0.61	5.6	17.2	10.5	0.61	5.9	16.5	10.2	0.62	6.3	15.8	9.5	0.63	7.3	14.2	9.1	0.64	8.0
	17	18.4	9.6	0.52	5.7	17.9	9.4	0.53	6.0	17.2	9.1	0.53	6.4	16.5	8.5	0.54	7.5	14.8	8.0	0.54	8.1
22	15	16.9	13.5	0.80	5.5	16.5	13.3	0.81	5.8	15.8	13.0	0.82	6.2	14.3	12.4	0.87	7.2	13.6	12.1	0.89	7.9
	16	17.7	12.8	0.72	5.6	17.2	12.5	0.73	5.9	16.5	12.2	0.74	6.3	15.8	11.6	0.77	7.3	14.2	11.2	0.79	8.0
	17	18.4	11.8	0.64	5.7	17.9	11.6	0.65	6.0	17.2	11.3	0.66	6.4	16.5	10.7	0.68	7.5	14.8	10.3	0.69	8.1
24	18	19.3	10.9	0.57	5.8	18.7	10.6	0.57	6.1	18.0	10.4	0.58	6.6	17.2	9.8	0.59	7.6	15.5	9.4	0.60	8.2
	19	19.9	9.7	0.49	5.9	19.3	9.4	0.49	6.3	18.7	9.2	0.49	6.7	17.9	8.6	0.51	7.7	16.0	8.2	0.52	8.3
	16	17.7	15.0	0.85	5.6	17.2	14.7	0.86	5.9	16.5	14.5	0.88	6.3	15.8	14.1	0.89	6.8	14.2	13.4	0.94	8.0
26	17	18.4	14.0	0.76	5.7	17.9	13.7	0.77	6.0	17.2	13.4	0.78	6.4	16.5	13.1	0.80	6.9	15.7	12.8	0.82	7.5
	18	19.3	12.9	0.67	5.8	18.7	12.7	0.68	6.1	18.0	12.4	0.69	6.6	17.2	12.0	0.70	7.0	16.5	11.8	0.72	7.6
	19	19.9	11.8	0.59	5.9	19.3	11.6	0.60	6.3	18.7	11.4	0.61	6.7	17.9	11.1	0.62	7.2	17.0	10.7	0.63	7.7
28	20	21.2	10.9	0.52	6.1	20.4	10.6	0.52	6.4	19.7	10.4	0.53	6.8	18.8	10.1	0.54	7.3	17.9	9.8	0.55	7.9
	21	22.0	9.7	0.44	6.2	21.2	9.4	0.44	6.5	20.5	9.2	0.45	6.9	19.6	9.0	0.46	7.4	18.7	8.7	0.46	8.0
	18	19.3	15.0	0.78	5.8	18.7	14.7	0.79	6.1	18.0	14.5	0.80	6.6	17.2	14.0	0.82	7.0	16.5	13.9	0.84	7.6
30	19	19.9	13.9	0.70	5.9	19.3	13.6	0.70	6.3	18.7	13.4	0.72	6.7	17.9	13.1	0.73	7.2	17.0	12.8	0.75	7.7
	20	21.2	13.1	0.62	6.1	20.4	12.7	0.62	6.4	19.7	12.5	0.63	6.8	18.8	12.2	0.65	7.3	17.9	11.9	0.66	7.9
	21	22.0	12.1	0.55	6.2	21.2	11.7	0.55	6.5	20.5	11.5	0.56	6.9	19.6	11.3	0.57	7.4	18.7	10.9	0.58	8.0
32	22	22.8	11.0	0.48	6.3	22.1	10.7	0.48	6.6	21.3	10.5	0.49	7.0	20.4	10.2	0.50	7.5	19.5	9.8	0.50	8.1
	23	23.7	9.9	0.42	6.4	23.0	9.5	0.41	6.8	22.1	9.3	0.42	7.2	21.2	9.0	0.43	7.7	20.3	8.6	0.43	8.2
	19	19.9	15.9	0.80	5.9	19.3	15.8	0.82	6.3	18.7	15.7	0.84	6.7	17.9	15.4	0.86	7.2	17.0	15.0	0.88	7.7
34	20	21.2	15.3	0.72	6.1	20.4	15.0	0.74	6.4	19.7	14.8	0.75	6.8	18.8	14.5	0.77	7.3	17.9	14.1	0.79	7.9
	21	22.0	14.1	0.64	6.2	21.2	13.8	0.65	6.5	20.5	13.6	0.67	6.9	19.6	13.3	0.68	7.4	18.7	13.0	0.69	8.0
	22	22.8	13.1	0.57	6.3	22.1	12.9	0.58	6.6	21.3	12.6	0.59	7.0	20.4	12.4	0.61	7.5	19.5	12.1	0.62	8.1
36	23	23.7	12.0	0.51	6.4	23.0	11.8	0.51	6.8	22.1	11.5	0.52	7.2	21.2	11.3	0.53	7.7	20.3	11.1	0.55	8.2
	24	24.7	10.9	0.44	6.6	24.0	10.6	0.44	6.9	23.1	10.4	0.45	7.3	22.2	10.1	0.46	7.8	21.2	10.0	0.47	8.3
	20	21.2	17.2	0.81	6.1	20.4	16.7	0.82	6.4	19.7	16.5	0.84	6.8	18.8	16.1	0.86	7.3	17.9	16.0	0.89	7.9
38	21	22.0	16.2	0.74	6.2	21.2	15.8	0.75	6.5	20.5	15.6	0.76	6.9	19.6	15.3	0.78	7.4	18.7	15.1	0.81	8.0
	22	22.8	15.1	0.66	6.3	22.1	14.8	0.67	6.6	21.3	14.6	0.69	7.0	20.4	14.3	0.70	7.5	19.5	14.0	0.72	8.1
	23	23.7	14.2	0.60	6.4	23.0	14.1	0.61	6.8	22.1	13.7	0.62	7.2	21.2	13.4	0.63	7.7	20.3	13.2	0.65	8.2
40	24.7	13.2	0.53	6.6	24.0	13.0	0.54	6.9	23.1	12.8	0.55	7.3	22.2	12.5	0.56	7.8	21.2	12.2	0.58	8.3	

Note1. * Q :COOLING CAPACITY SHC:SENSIBLE HEAT CAPACITY T/I:TOTAL INPUT

Factor for Various Air Flow

PE-7MYC-EU PEH-7MYA-EU	AIR VOLUME	CMM		
		50	60	70
COOLING	CAPACITY TOTAL INPUT	L/S		
		830	1,000	1,167
SHC	TOTAL INPUT	L/S		
		0.975	1.0	1.024
SHC	TOTAL INPUT	L/S		
		0.989	1.0	1.009
SHC	TOTAL INPUT	L/S		
		0.964	1.0	1.040

Cooling Capacity (Standard Air Flow) (Use for low ambient cooling parts)

PE-7MYC-EU , PEH-7MYA-EU

INDOOR		OUTDOOR DB°C															
		-5.0			0.0			5.0			10.0			15.0			
DB°C	WBC	Q kW	SHCKW	SHF	T/I kW	SHF	SHCKW	SHF	T/I kW	SHF	SHCKW	SHF	T/I kW	SHF	SHCKW	SHF	T/I kW
20	15	16.9	11.5	0.68	5.0	16.7	11.3	0.68	5.1	16.5	11.0	0.68	5.1	16.1	11.0	0.68	5.3
	16	17.9	10.7	0.60	5.2	17.7	10.6	0.60	5.2	17.4	10.2	0.60	5.4	17.8	9.3	0.52	5.5
	17	18.7	9.7	0.52	5.3	18.6	9.7	0.52	5.3	18.3	10.3	0.56	5.4	17.8	9.3	0.52	5.5
22	15	16.9	13.3	0.79	5.0	16.7	13.3	0.79	5.1	16.5	12.8	0.80	5.1	16.1	12.8	0.80	5.3
	16	17.9	12.7	0.71	5.2	17.7	12.6	0.71	5.2	17.4	13.2	0.76	5.3	17.0	12.2	0.72	5.4
	17	18.7	11.8	0.63	5.3	18.6	11.7	0.63	5.3	18.3	12.3	0.63	5.4	17.8	11.3	0.63	5.5
24	15	16.9	14.6	0.82	5.2	17.7	14.5	0.82	5.2	17.4	15.0	0.86	5.8	17.0	14.1	0.83	5.4
	16	17.9	13.7	0.73	5.3	18.6	13.7	0.73	5.3	18.3	14.2	0.78	5.4	17.8	13.2	0.74	5.5
	17	18.7	12.8	0.65	5.4	19.5	12.7	0.65	5.3	19.1	13.1	0.69	5.5	18.7	12.2	0.66	5.6
26	15	20.3	11.8	0.58	5.5	20.1	11.7	0.58	5.5	19.8	12.3	0.62	5.6	19.4	11.3	0.58	5.8
	16	21.5	11.0	0.51	5.6	21.2	10.8	0.51	5.6	20.8	11.4	0.55	5.8	20.4	10.5	0.51	5.9
	17	22.2	9.8	0.44	5.7	22.0	9.7	0.44	5.7	21.7	10.3	0.48	5.9	21.2	9.3	0.44	6.0
28	15	19.7	14.8	0.75	5.4	19.5	14.6	0.75	5.3	19.1	15.1	0.79	5.5	18.7	14.2	0.76	5.6
	16	20.3	13.7	0.68	5.5	20.1	13.6	0.68	5.5	19.8	14.1	0.71	5.6	19.4	13.3	0.68	5.8
	17	21.5	12.9	0.60	5.6	21.2	12.7	0.60	5.6	20.8	13.3	0.64	5.8	20.4	12.4	0.61	5.9
30	15	23.1	10.9	0.47	5.8	22.8	10.8	0.47	5.8	22.5	11.4	0.51	6.0	21.9	10.5	0.48	6.1
	16	23.9	9.8	0.41	6.0	23.7	9.7	0.41	5.9	23.3	10.3	0.44	6.1	22.9	9.5	0.41	6.3
	17	24.7	11.0	0.44	6.1	24.4	10.9	0.44	6.1	24.3	11.5	0.48	6.2	23.7	10.5	0.44	6.5
30	15	21.5	16.8	0.78	5.6	21.2	16.5	0.78	5.6	20.8	17.0	0.82	5.8	20.4	16.2	0.79	5.9
	16	22.2	16.0	0.72	5.7	22.0	15.8	0.72	5.7	21.7	16.3	0.75	5.9	21.2	15.3	0.72	6.0
	17	23.1	15.1	0.65	5.8	22.8	14.9	0.65	5.8	22.5	15.5	0.69	6.0	21.9	14.3	0.65	6.1
30	15	23.9	14.1	0.59	6.0	23.7	14.0	0.59	5.9	23.3	14.5	0.62	6.1	22.9	13.5	0.59	6.3
	16	24.7	13.0	0.52	6.1	24.4	12.8	0.52	6.1	24.3	13.5	0.56	6.2	23.7	12.4	0.52	6.5
	17	25.5	11.8	0.44	6.2	25.2	11.7	0.44	6.2	24.9	12.9	0.48	6.3	24.5	11.9	0.44	6.5

Note1. * Q :COOLING CAPACITY SHC:SENSIBLE HEAT CAPACITY T/I:TOTAL INPUT

Factor for Various Air Flow

PE-7MYC-EU PEH-7MYA-EU	AIR VOLUME			CMM	50	60	70
	L/S						
COOLING	CAPACITY			0.975	1.0	1.024	
	TOTAL INPUT			0.989	1.0	1.009	
	SHC			0.964	1.0	1.040	

Heating Capacity (Standard Air Flow) PEH-7MYA-EU

INDOOR		OUTDOOR WB°C					
		-10.0		-5.0		0.0	
DB°C	WBC	Q kW	T/I kW	Q kW	T/IkW	Q kW	T/IkW
20	15	11.5	4.6	13.5	5.0	15.4	5.4
	16	11.7	4.6	13.8	5.0	16.1	5.4
	17	11.3	4.7	13.4	5.0	15.8	5.5
22	15	11.2	4.7	13.3	5.1	15.7	5.5
	16	11.0	4.8	13.2	5.1	15.6	5.5
	17	11.0	4.8	13.2	5.1	15.6	5.6
24	15	11.0	4.8	13.1	5.2	15.5	5.6
	16	10.9	4.8	13.1	5.2	15.5	5.7
	17	10.8	4.8	13.0	5.2	15.4	5.7
26	15	10.8	4.8	12.9	5.3	15.3	5.8
	16	10.8	4.8	13.0	5.3	15.4	5.8
	17	10.6	4.8	12.8	5.3	15.1	5.8
27	15	10.6	4.9	12.7	5.3	15.0	5.9

INDOOR		OUTDOOR WB°C					
		5.0		10.0		15.0	
DB°C	WBC	Q kW	T/I kW	Q kW	T/IkW	Q kW	T/IkW
15	15	18.5	5.9	21.4	6.4	24.6	7.0
	16	18.8	5.9	21.7	6.5	24.8	7.1
	17	18.4	6.0	21.3	6.6	24.4	7.2
18	15	18.4	6.0	21.2	6.6	24.4	7.3
	16	18.2	6.1	21.0	6.7	24.2	7.4
	17	18.2	6.1	21.0	6.7	24.2	7.5
20	15	18.2	6.2	21.0	6.8	24.1	7.6
	16	18.1	6.2	21.0	6.9	24.1	7.6
	17	18.0	6.3	20.9	7.0	24.0	7.7
24	15	18.0	6.4	20.8	7.0	23.9	7.8
	16	18.0	6.4	20.8	7.1	23.9	7.9
	17	17.8	6.5	20.6	7.2	23.7	7.9
27	15	17.6	6.5	20.5	7.2	23.6	8.0

* Q : HEATING CAPACITY T/I : TOTAL INPUT

Factor for Various Air Flow

PEH-7MYA-EU	AIR VOLUME			CMM	50	60	70
	L/S						
HEATING	CAPACITY			0.980	1.0	1.011	
	TOTAL INPUT			1.028	1.0	0.98	

Cooling Capacity (Standard Air Flow)

PE-8MYC-EU , PEH-8MYA-EU (combined with PUH-8MYC1-EU)

INDOOR DB°C	INDOOR WB °C	OUTDOOR DB°C																							
		20.0				25.0				30.0				35.0				40.0				46.0			
		Q kW	SHCKW	SHF	T/I kW	Q kW	SHCKW	SHF	T/I kW	Q kW	SHCKW	SHF	T/I kW	Q kW	SHCKW	SHF	T/I kW	Q kW	SHCKW	SHF	T/I kW	Q kW	SHCKW	SHF	T/I kW
20	15	21.3	14.9	0.70	6.1	20.6	14.6	0.71	6.4	19.9	14.3	0.72	6.8	19.2	14.0	0.73	7.3	18.3	13.5	0.74	7.8	17.6	13.2	0.75	8.5
	16	22.0	13.7	0.62	6.2	21.3	13.4	0.63	6.5	20.6	13.0	0.63	6.9	19.9	12.6	0.63	7.4	19.1	12.4	0.65	7.9	18.3	12.1	0.66	8.6
	17	22.7	12.4	0.55	6.3	22.0	12.1	0.55	6.6	21.3	11.6	0.55	7.0	20.6	11.1	0.54	7.5	19.8	11.0	0.55	8.1	18.9	10.8	0.57	8.7
22	15	21.3	17.5	0.82	6.1	20.6	17.1	0.83	6.4	19.9	16.9	0.85	6.8	19.2	16.7	0.87	7.3	18.3	16.1	0.88	7.8	17.6	15.6	0.89	8.5
	16	22.0	16.1	0.73	6.2	21.3	15.9	0.75	6.5	20.6	15.6	0.76	6.9	19.9	15.3	0.77	7.4	19.1	14.9	0.78	7.9	18.3	14.5	0.79	8.6
	17	22.7	14.7	0.65	6.3	22.0	14.5	0.66	6.6	21.3	14.2	0.67	7.0	20.6	13.8	0.67	7.5	19.8	13.6	0.68	8.1	18.9	13.2	0.70	8.7
24	18	23.5	13.6	0.58	6.4	22.8	13.4	0.59	6.7	22.1	13.1	0.59	7.2	21.3	12.7	0.60	7.6	20.6	12.5	0.61	8.2	19.5	12.1	0.62	8.8
	19	24.4	12.5	0.51	6.5	23.6	12.1	0.51	6.9	22.9	11.8	0.52	7.3	22.0	11.5	0.52	7.8	21.3	11.3	0.53	8.3	20.2	10.9	0.54	8.9
	16	22.0	18.9	0.86	6.2	21.3	18.5	0.87	6.5	20.6	18.2	0.89	6.9	19.9	17.9	0.90	7.4	19.1	17.6	0.92	7.9	18.3	17.2	0.94	8.6
26	17	22.7	17.7	0.78	6.3	22.0	17.3	0.79	6.6	21.3	17.0	0.80	7.0	20.6	16.7	0.81	7.5	19.8	16.4	0.83	8.1	18.9	16.0	0.84	8.7
	18	23.5	16.4	0.70	6.4	22.8	16.0	0.70	6.7	22.1	15.7	0.71	7.2	21.3	15.3	0.72	7.6	20.6	15.1	0.74	8.2	19.5	14.6	0.75	8.8
	19	24.4	15.1	0.62	6.5	23.6	14.7	0.62	6.9	22.9	14.4	0.63	7.3	22.0	14.0	0.64	7.8	21.3	13.8	0.65	8.3	20.2	13.3	0.66	8.9
28	20	25.2	13.7	0.54	6.7	24.4	13.2	0.54	7.0	23.7	13.0	0.55	7.4	22.8	12.6	0.55	7.9	22.0	12.3	0.56	8.5	20.9	11.9	0.57	9.1
	21	26.1	12.1	0.46	6.8	25.3	11.7	0.46	7.1	24.5	11.4	0.46	7.5	23.7	11.1	0.47	8.0	22.8	10.8	0.47	8.6	21.7	10.4	0.48	9.2
	18	23.5	18.7	0.80	6.4	22.8	18.3	0.80	6.7	22.1	18.0	0.82	7.2	21.3	17.7	0.83	7.6	20.6	17.4	0.85	8.2	19.5	16.8	0.86	8.8
30	19	24.4	17.6	0.72	6.5	23.6	17.1	0.73	6.9	22.9	16.9	0.74	7.3	22.0	16.5	0.75	7.8	21.3	16.3	0.77	8.3	20.2	15.8	0.78	8.9
	20	25.2	16.2	0.64	6.7	24.4	15.9	0.65	7.0	23.7	15.7	0.66	7.4	22.8	15.3	0.67	7.9	22.0	15.1	0.69	8.5	20.9	14.6	0.70	9.1
	21	26.1	14.9	0.57	6.8	25.3	14.6	0.58	7.1	24.5	14.3	0.58	7.5	23.7	14.0	0.59	8.0	22.8	13.7	0.60	8.6	21.7	13.3	0.61	9.2
32	22	27.0	13.4	0.50	6.9	26.2	13.2	0.50	7.2	25.4	12.9	0.51	7.6	24.4	12.5	0.51	8.1	23.6	12.2	0.52	8.7	22.4	11.7	0.52	9.3
	23	27.9	11.9	0.43	7.0	27.1	11.6	0.43	7.4	26.3	11.3	0.43	7.8	25.3	10.9	0.43	8.3	24.3	10.5	0.43	8.8	23.1	10.0	0.43	9.5
	19	24.4	20.1	0.82	6.5	23.6	19.6	0.83	6.9	22.9	19.3	0.84	7.3	22.0	18.7	0.85	7.8	21.3	18.8	0.88	8.3	20.2	18.4	0.91	8.9
34	20	25.2	18.9	0.75	6.7	24.4	18.5	0.76	7.0	23.7	18.2	0.77	7.4	22.8	17.7	0.78	7.9	22.0	17.7	0.80	8.5	20.9	17.4	0.83	9.1
	21	26.1	17.7	0.68	6.8	25.3	17.3	0.68	7.1	24.5	17.0	0.69	7.5	23.7	16.6	0.70	8.0	22.8	16.6	0.73	8.6	21.7	16.3	0.75	9.2
	22	27.0	16.4	0.61	6.9	26.2	16.0	0.61	7.2	25.4	15.7	0.62	7.6	24.4	15.3	0.63	8.1	23.6	15.2	0.64	8.7	22.4	14.8	0.66	9.3
36	23	27.9	15.0	0.54	7.0	27.1	14.7	0.54	7.4	26.3	14.4	0.55	7.8	25.3	14.0	0.55	8.3	24.3	13.7	0.56	8.8	23.1	13.2	0.57	9.5
	24	28.8	13.5	0.47	7.2	28.0	13.2	0.47	7.5	27.1	12.9	0.48	7.9	26.0	12.4	0.48	8.4	25.2	12.1	0.48	8.9	23.9	11.5	0.48	9.6
	20	25.2	21.6	0.86	6.7	24.4	21.3	0.87	7.0	23.7	21.0	0.89	7.4	22.8	20.5	0.90	7.9	22.0	20.2	0.92	8.5	20.9	19.4	0.93	9.1
38	21	26.1	20.3	0.78	6.8	25.3	19.9	0.79	7.1	24.5	19.6	0.80	7.5	23.7	19.4	0.82	8.0	22.8	19.0	0.83	8.6	21.7	18.5	0.85	9.2
	22	27.0	18.8	0.70	6.9	26.2	18.4	0.70	7.2	25.4	18.2	0.72	7.6	24.4	17.9	0.73	8.1	23.6	17.7	0.75	8.7	22.4	17.3	0.77	9.3
	23	27.9	17.6	0.63	7.0	27.1	17.3	0.64	7.4	26.3	17.2	0.65	7.8	25.3	17.0	0.67	8.3	24.3	16.8	0.69	8.8	23.1	16.4	0.71	9.5
40	24	28.8	16.2	0.56	7.2	28.0	16.0	0.57	7.5	27.1	16.1	0.59	7.9	26.0	15.9	0.61	8.4	25.2	15.9	0.63	8.9	23.9	15.6	0.65	9.6

Note1. * Q :COOLING CAPACITY SHC:SENSIBLE HEAT CAPACITY T/I:TOTAL INPUT

Factor for Various Air Flow

PE-8MYC-EU PEH-8MYA-EU	AIR VOLUME	CMM		
		60	70	80
	L/S	1,000	1,167	1,330
COOLING	CAPACITY		0.976	1.0
		TOTAL INPUT	0.991	1.0
		SHC	0.963	1.0

Cooling Capacity (Standard Air Flow) (Use for low ambient cooling parts)

PE-8MYC-EU , PEH-8MYA-EU (combined with PUH-8MYC1-EU)

INDOOR DB°C	OUTDOOR DB°C																			
	-5.0				0.0				5.0				10.0				15.0			
	Q kW	SHCkW	SHF	T/I kW	Q kW	SHCkW	SHF	T/I kW	Q kW	SHCkW	SHF	T/I kW	Q kW	SHCkW	SHF	T/I kW	Q kW	SHCkW	SHF	T/I kW
15	20.9	14.4	0.69	5.8	20.7	14.2	0.69	5.8	20.4	13.9	0.68	5.9	20.1	13.8	0.69	6.0	19.7	13.6	0.69	6.3
20	21.9	13.4	0.61	5.9	21.6	13.2	0.61	6.0	21.2	12.9	0.61	6.0	20.9	12.8	0.61	6.2	20.5	12.6	0.62	6.4
17	22.6	12.0	0.53	6.0	22.5	11.9	0.53	6.1	22.0	11.7	0.53	6.1	21.7	11.6	0.54	6.3	21.2	11.5	0.54	6.5
15	20.9	16.7	0.80	5.8	20.7	16.6	0.80	5.9	20.4	16.3	0.80	5.9	20.1	16.2	0.81	6.0	19.7	15.9	0.81	6.3
16	21.9	15.8	0.72	5.9	21.6	15.6	0.72	5.9	21.2	15.4	0.73	6.0	20.9	15.1	0.72	6.2	20.5	14.8	0.72	6.4
17	22.6	14.5	0.64	6.0	22.5	14.5	0.65	6.0	22.0	14.4	0.65	6.1	21.7	13.9	0.64	6.3	21.2	13.4	0.63	6.5
18	23.5	13.5	0.58	6.1	23.2	13.5	0.58	6.2	22.9	13.3	0.58	6.2	22.4	12.9	0.58	6.4	21.8	12.5	0.57	6.6
19	24.3	12.5	0.51	6.2	24.0	12.3	0.51	6.3	23.6	12.1	0.51	6.3	23.1	11.8	0.51	6.6	22.6	11.6	0.51	7.0
16	21.9	18.6	0.85	5.9	21.6	18.3	0.85	5.9	21.2	17.8	0.84	6.0	20.9	17.7	0.85	6.2	20.5	17.4	0.85	6.4
17	22.6	17.2	0.76	6.0	22.5	17.1	0.76	6.1	22.0	16.8	0.76	6.1	21.7	16.6	0.77	6.3	21.2	16.4	0.77	6.5
18	23.5	15.8	0.67	6.1	23.2	15.7	0.68	6.2	22.9	15.6	0.68	6.2	22.4	15.4	0.69	6.4	21.8	15.1	0.69	6.6
19	24.3	14.6	0.60	6.2	24.0	14.4	0.60	6.3	23.6	14.2	0.60	6.3	23.1	14.1	0.61	6.6	22.6	13.9	0.62	7.0
20	25.2	13.4	0.53	6.3	24.8	13.1	0.53	6.4	24.5	12.8	0.52	6.5	24.0	12.8	0.53	6.7	23.5	12.7	0.54	7.0
21	26.2	12.1	0.46	6.4	25.8	11.7	0.45	6.5	25.3	11.2	0.44	6.6	24.8	11.3	0.46	6.8	24.3	11.4	0.47	7.1
18	23.5	18.3	0.78	6.1	23.2	17.8	0.77	6.2	22.9	17.2	0.75	6.2	22.4	17.3	0.77	6.4	21.8	17.3	0.79	6.6
19	24.3	17.2	0.71	6.2	24.0	16.8	0.70	6.3	23.6	16.3	0.69	6.3	23.1	16.2	0.70	6.6	22.6	16.1	0.71	7.0
20	25.2	15.9	0.63	6.3	24.8	15.7	0.63	6.4	24.5	15.5	0.63	6.5	24.0	15.2	0.63	6.7	23.5	14.8	0.63	7.0
21	26.2	14.9	0.57	6.4	25.8	14.6	0.57	6.5	25.3	14.2	0.56	6.6	24.8	14.0	0.56	6.8	24.3	13.7	0.56	7.1
22	27.1	13.6	0.50	6.5	26.7	13.3	0.50	6.6	26.3	13.0	0.49	6.7	25.8	12.7	0.49	6.9	25.1	12.4	0.49	7.2
23	27.8	12.2	0.44	6.7	27.5	11.9	0.43	6.7	27.2	11.5	0.42	6.8	26.6	11.2	0.42	7.0	25.9	11.0	0.42	7.3
19	24.3	19.5	0.80	6.2	24.0	19.2	0.80	6.3	23.6	18.9	0.80	6.3	23.1	18.6	0.81	6.6	22.6	18.3	0.81	7.0
20	25.2	18.4	0.73	6.3	24.8	18.2	0.73	6.4	24.5	18.0	0.74	6.5	24.0	17.8	0.74	6.7	23.5	17.4	0.74	7.0
21	26.2	17.4	0.66	6.4	25.8	17.2	0.67	6.5	25.3	17.0	0.67	6.6	24.8	16.7	0.67	6.8	24.3	16.3	0.67	7.1
22	27.1	16.2	0.60	6.5	26.7	16.0	0.60	6.6	26.3	15.9	0.60	6.7	25.8	15.5	0.60	6.9	25.1	15.1	0.60	7.2
23	27.8	14.8	0.53	6.7	27.5	14.7	0.53	6.7	27.2	14.5	0.53	6.8	26.6	14.2	0.53	7.0	25.9	13.8	0.53	7.3
24	29.0	13.6	0.47	6.8	28.6	13.3	0.47	6.9	28.2	13.1	0.46	7.0	27.5	12.7	0.46	7.2	26.8	12.4	0.46	7.5
20	25.2	20.7	0.82	6.3	24.8	20.5	0.83	6.4	24.5	20.4	0.83	6.5	24.0	20.1	0.84	6.7	23.5	19.8	0.84	7.0
21	26.2	19.7	0.75	6.4	25.8	19.5	0.76	6.5	25.3	19.2	0.76	6.6	24.8	18.9	0.76	6.8	24.3	18.6	0.77	7.1
22	27.1	18.5	0.68	6.5	26.7	18.2	0.68	6.6	26.3	18.0	0.68	6.7	25.8	17.7	0.69	6.9	25.1	17.4	0.69	7.2
23	27.8	17.2	0.62	6.7	27.5	17.0	0.62	6.7	27.2	16.8	0.62	6.8	26.6	16.5	0.62	7.0	25.9	16.2	0.62	7.3
24	29.0	16.0	0.55	6.8	28.6	15.8	0.55	6.9	28.2	15.6	0.55	7.0	27.5	15.2	0.55	7.2	26.8	14.8	0.55	7.5

Note1. * Q :COOLING CAPACITY SHC:SENSIBLE HEAT CAPACITY T/I:TOTAL INPUT

Factor for Various Air Flow

PE-8MYC-EU PEH-8MYA-EU	AIR VOLUME L/S	CMM	60	70	80
			1,000	1,167	1,330
COOLING	CAPACITY TOTAL INPUT SHC		0.976	1.0	1.025
			0.991	1.0	1.009
			0.963	1.0	1.044

Heating Capacity (Standard Air Flow) PEH-8MYA-EU (combined with PUH-8MYC1-EU)

INDOOR DB°C	OUTDOOR WB°C					
	-10.0		-5.0		0.0	
	Q kW	T/I kW	Q kW	T/I kW	Q kW	T/I kW
15	14.7	4.8	16.7	5.2	19.1	5.6
16	14.6	4.8	16.7	5.2	19	5.6
17	14.5	4.9	16.6	5.2	19	5.7
18	14.4	4.9	16.5	5.3	18.9	5.7
19	14.2	5.0	16.4	5.3	18.8	5.7
20	14.2	5.0	16.4	5.3	18.8	5.8
21	14.2	5.0	16.3	5.4	18.7	5.8
22	14.1	5.0	16.3	5.4	18.7	5.9
23	14	5.0	16.2	5.4	18.6	5.9
24	14	5.0	16.1	5.5	18.5	6.0
25	14	5.0	16.2	5.5	18.6	6.0
26	13.8	5.0	16	5.5	18.3	6.0
27	13.8	5.1	15.9	5.5	18.2	6.1

INDOOR DB°C	OUTDOOR WB°C					
	5.0		10.0		15.0	
	Q kW	T/I kW	Q kW	T/I kW	Q kW	T/I kW
15	21.7	6.1	24.6	6.6	27.8	7.2
16	21.7	6.1	24.6	7.0	27.7	7.3
17	21.6	6.2	24.5	6.8	27.6	7.4
18	21.6	6.2	24.4	6.8	27.6	7.5
19	21.4	6.3	24.3	6.9	27.4	7.6
20	21.4	6.3	24.3	6.9	27.4	7.7
21	21.4	6.4	24.2	7.0	27.3	7.8
22	21.3	6.4	24.2	7.1	27.3	7.8
23	21.2	6.5	24.1	7.2	27.2	7.9
24	21.2	6.6	24	7.2	27.1	8.0
25	21.2	6.6	24	7.3	27.1	8.1
26	21	6.7	23.8	7.4	26.9	8.1
27	20.8	6.7	23.7	7.4	26.8	8.2

* Q : HEATING CAPACITY T/I : TOTAL INPUT

Factor for Various Air Flow

PEH-8MYA-EU	AIR VOLUME L/S	CMM	60	70	80
			1,000	1,167	1,330
HEATING	CAPACITY TOTAL INPUT SHC		0.989	1.0	1.011
			1.010	1.0	0.987

Cooling Capacity (Standard Air Flow) PE-8MYC-EU , PEH-8MYA-EU (combined with PUH-8MYE-EU)

INDOOR		OUTDOOR DB°C																							
		20.0			25.0			30.0			35.0			40.0			46.0								
DB°C	WB°C	Q kW	SHCKW	SHF	T/I kW	Q kW	SHCKW	SHF	T/I kW	Q kW	SHCKW	SHF	T/I kW	Q kW	SHCKW	SHF	T/I kW	Q kW	SHCKW	SHF	T/I kW				
20	15	21.3	14.9	0.70	6.2	20.6	14.6	0.71	6.5	19.9	14.3	0.72	6.9	19.2	14.0	0.73	7.4	18.3	13.5	0.74	7.9	17.6	13.2	0.75	8.6
	16	22.0	13.7	0.62	6.3	21.3	13.4	0.63	6.6	20.6	13.0	0.63	7.0	19.9	12.6	0.63	7.5	19.1	12.4	0.65	8.0	18.3	12.1	0.66	8.7
	17	22.7	12.4	0.55	6.4	22.0	12.1	0.55	6.7	21.3	11.6	0.55	7.1	20.6	11.1	0.54	7.6	19.8	11.0	0.55	8.2	18.9	10.8	0.57	8.8
22	15	21.3	17.5	0.82	6.2	20.6	17.1	0.83	6.5	19.9	16.9	0.85	6.9	19.2	16.7	0.87	7.4	18.3	16.1	0.88	7.9	17.6	15.6	0.89	8.6
	16	22.0	16.1	0.73	6.3	21.3	15.9	0.75	6.6	20.6	15.6	0.76	6.8	19.9	15.3	0.77	7.5	19.1	14.9	0.78	8.0	18.3	14.5	0.79	8.7
	17	22.7	14.7	0.65	6.4	22.0	14.5	0.66	6.7	21.3	14.2	0.67	7.1	20.6	13.8	0.67	7.6	19.8	13.6	0.68	8.2	18.9	13.2	0.70	8.8
24	18	23.5	13.6	0.58	6.5	22.8	13.4	0.59	6.8	22.1	13.1	0.59	7.3	21.3	12.7	0.60	7.7	20.6	12.5	0.61	8.3	19.5	12.1	0.62	8.9
	19	24.4	12.5	0.51	6.6	23.6	12.1	0.51	7.0	22.9	11.8	0.52	7.4	22.0	11.5	0.52	7.9	21.3	11.3	0.53	8.4	20.2	10.9	0.54	9.0
	16	22.0	18.9	0.86	6.3	21.3	18.5	0.87	6.6	20.6	18.2	0.89	7.0	19.9	17.9	0.90	7.5	19.1	17.6	0.92	8.0	18.3	17.2	0.94	8.7
26	17	22.7	17.7	0.78	6.4	22.0	17.3	0.79	6.7	21.3	17.0	0.80	7.1	20.6	16.7	0.81	7.6	19.8	16.4	0.83	8.2	18.9	16.0	0.84	8.8
	18	23.5	16.4	0.70	6.5	22.8	16.0	0.70	6.8	22.1	15.7	0.71	7.3	21.3	15.3	0.72	7.7	20.6	15.1	0.74	8.3	19.5	14.6	0.75	8.9
	19	24.4	15.1	0.62	6.6	23.6	14.7	0.62	7.0	22.9	14.4	0.63	7.4	22.0	14.0	0.64	7.9	21.3	13.8	0.65	8.4	20.2	13.3	0.66	9.0
28	20	25.2	13.7	0.54	6.8	24.4	13.2	0.54	7.1	23.7	13.0	0.55	7.5	22.8	12.6	0.55	8.0	22.0	12.3	0.56	8.6	20.9	11.9	0.57	9.2
	21	26.1	12.1	0.46	6.9	25.3	11.7	0.46	7.2	24.5	11.4	0.46	7.6	23.7	11.1	0.47	8.1	22.8	10.8	0.47	8.7	21.7	10.4	0.48	9.3
	18	23.5	18.7	0.80	6.5	22.8	18.3	0.80	6.8	22.1	18.0	0.82	7.3	21.3	17.7	0.83	7.7	20.6	17.4	0.85	8.3	19.5	16.8	0.86	8.9
30	19	24.4	17.6	0.72	6.6	23.6	17.1	0.73	7.0	22.9	16.9	0.74	7.4	22.0	16.5	0.75	7.9	21.3	16.3	0.77	8.4	20.2	15.8	0.78	9.0
	20	25.2	16.2	0.64	6.8	24.4	15.9	0.65	7.1	23.7	15.7	0.66	7.5	22.8	15.3	0.67	8.0	22.0	15.1	0.69	8.6	20.9	14.6	0.70	9.2
	21	26.1	14.9	0.57	6.9	25.3	14.6	0.58	7.2	24.5	14.3	0.58	7.6	23.7	14.0	0.59	8.1	22.8	13.7	0.60	8.7	21.7	13.3	0.61	9.3
32	22	27.0	13.4	0.50	7.0	26.2	13.2	0.50	7.3	25.4	12.9	0.51	7.7	24.4	12.5	0.51	8.2	23.6	12.2	0.52	8.8	22.4	11.7	0.52	9.4
	23	27.9	11.9	0.43	7.1	27.1	11.6	0.43	7.5	26.3	11.3	0.43	7.9	25.3	10.9	0.43	8.4	24.3	10.5	0.43	8.9	23.1	10.0	0.43	9.6
	19	24.4	20.1	0.82	6.6	23.6	19.6	0.83	7.0	22.9	19.3	0.84	7.4	22.0	18.7	0.85	7.9	21.3	18.8	0.88	8.4	20.2	18.4	0.91	9.0
34	20	25.2	18.9	0.75	6.8	24.4	18.5	0.76	7.1	23.7	18.2	0.77	7.5	22.8	17.7	0.78	8.0	22.0	17.7	0.80	8.6	20.9	17.4	0.83	9.2
	21	26.1	17.7	0.68	6.9	25.3	17.3	0.68	7.2	24.5	17.0	0.69	7.6	23.7	16.6	0.70	8.1	22.8	16.6	0.73	8.7	21.7	16.3	0.75	9.3
	22	27.0	16.4	0.61	7.0	26.2	16.0	0.61	7.3	25.4	15.7	0.62	7.7	24.4	15.3	0.63	8.2	23.6	15.2	0.64	8.8	22.4	14.8	0.66	9.4
36	23	27.9	15.0	0.54	7.1	27.1	14.7	0.54	7.5	26.3	14.4	0.55	7.9	25.3	14.0	0.55	8.4	24.3	13.7	0.56	8.9	23.1	13.2	0.57	9.6
	24	28.8	13.5	0.47	7.3	28.0	13.2	0.47	7.6	27.1	12.9	0.48	8.0	26.0	12.4	0.48	8.5	25.2	12.1	0.48	9.0	23.9	11.5	0.48	9.7
	20	25.2	21.6	0.86	6.8	24.4	21.3	0.87	7.1	23.7	21.0	0.89	7.5	22.8	20.5	0.90	8.0	22.0	20.2	0.92	8.6	20.9	19.4	0.93	9.2
38	21	26.1	20.3	0.78	6.9	25.3	19.9	0.79	7.2	24.5	19.6	0.80	7.6	23.7	19.4	0.82	8.1	22.8	19.0	0.83	8.7	21.7	18.5	0.85	9.3
	22	27.0	18.8	0.70	7.0	26.2	18.4	0.70	7.3	25.4	18.2	0.72	7.7	24.4	17.9	0.73	8.2	23.6	17.7	0.75	8.8	22.4	17.3	0.77	9.4
	23	27.9	17.6	0.63	7.1	27.1	17.3	0.64	7.5	26.3	17.2	0.65	7.9	25.3	17.0	0.67	8.4	24.3	16.8	0.69	8.9	23.1	16.4	0.71	9.6
40	24	28.8	16.2	0.56	7.3	28.0	16.0	0.57	7.6	27.1	16.1	0.59	8.0	26.0	15.9	0.61	8.5	25.2	15.9	0.63	9.0	23.9	15.6	0.65	9.7

Note1. * Q : COOLING CAPACITY SHC:SENSIBLE HEAT CAPACITY T/I:TOTAL INPUT

Factor for Various Air Flow

PE-8MYC-EU PEH-8MYA-EU	AIR VOLUME	CMM		
		60	70	80
	L/S	1,000	1,167	1,330
COOLING	CAPACITY	0.976	1.0	1.025
	TOTAL INPUT	0.991	1.0	1.009
	SHC	0.963	1.0	1.044

Cooling Capacity (Standard Air Flow) (Use for low ambient cooling parts)

PE-8MYC-EU , PEH-8MYA-EU (combined with PUH-8ME-EU)

INDOOR	OUTDOOR DB°C																
	-5.0				5.0				10.0				15.0				
	Q kW	SHCKW	SHF	T/I kW	Q kW	SHCKW	SHF	T/I kW	Q kW	SHCKW	SHF	T/I kW	Q kW	SHCKW	SHF	T/I kW	
15	20.9	14.4	0.69	5.9	20.7	14.2	0.69	6.0	20.1	13.8	0.69	6.1	19.7	13.6	0.69	6.4	
	20	21.9	13.4	0.61	6.0	21.6	13.2	0.61	6.1	20.9	12.8	0.61	6.3	20.5	12.6	0.62	6.5
		22.6	12.0	0.53	6.1	22.5	11.9	0.53	6.2	21.7	11.6	0.54	6.4	21.2	11.5	0.54	6.6
16	20.9	16.7	0.80	5.9	20.7	16.6	0.80	6.0	20.1	16.2	0.81	6.1	19.7	15.9	0.81	6.4	
	22	21.9	15.8	0.72	6.0	21.6	15.6	0.72	6.1	20.9	15.1	0.72	6.3	20.5	14.8	0.72	6.5
		22.6	14.5	0.64	6.1	22.5	14.5	0.65	6.2	21.7	13.9	0.64	6.4	21.2	13.4	0.63	6.6
18	23.5	13.5	0.58	6.2	23.2	13.5	0.58	6.1	22.9	13.3	0.58	6.3	22.4	12.9	0.58	6.5	
	19	24.3	12.5	0.51	6.3	24.0	12.3	0.51	6.4	23.1	11.8	0.51	6.7	22.6	11.6	0.51	7.1
		21.9	18.6	0.85	6.0	21.6	18.3	0.85	6.0	20.9	17.7	0.85	6.3	20.5	17.4	0.85	6.5
17	22.6	17.2	0.76	6.1	22.5	17.1	0.76	6.1	22.0	16.8	0.76	6.2	21.7	16.6	0.77	6.4	
	24	23.5	15.8	0.67	6.2	23.2	15.7	0.68	6.1	22.9	15.6	0.68	6.3	22.4	15.4	0.69	6.5
		24.3	14.6	0.60	6.3	24.0	14.4	0.60	6.4	23.1	14.1	0.61	6.7	22.6	13.9	0.62	7.1
20	25.2	13.4	0.53	6.4	24.8	13.1	0.53	6.5	24.5	12.8	0.53	6.8	24.0	12.8	0.53	7.1	
	21	26.2	12.1	0.46	6.5	25.8	11.7	0.45	6.6	25.3	11.2	0.44	6.7	24.8	11.3	0.46	7.2
		18	23.5	18.3	0.78	6.2	23.2	17.8	0.77	6.1	22.9	17.2	0.75	6.3	22.4	17.3	0.77
19	24.3	17.2	0.71	6.3	24.0	16.8	0.70	6.4	23.6	16.3	0.69	6.4	23.1	16.2	0.70	6.7	
	26	25.2	15.9	0.63	6.4	24.8	15.7	0.63	6.5	24.5	15.5	0.63	6.8	24.0	15.2	0.63	7.1
		21	26.2	14.9	0.57	6.5	25.8	14.6	0.57	6.6	25.3	14.2	0.56	6.9	24.8	14.0	0.56
22	27.1	13.6	0.50	6.6	26.7	13.3	0.50	6.7	26.3	13.0	0.49	6.8	25.8	12.7	0.49	7.3	
	23	27.8	12.2	0.44	6.8	27.5	11.9	0.43	6.8	27.2	11.5	0.42	7.1	25.9	11.0	0.42	7.4
		19	24.3	19.5	0.80	6.3	24.0	19.2	0.80	6.4	23.6	18.9	0.80	6.7	23.6	18.3	0.81
20	25.2	18.4	0.73	6.4	24.8	18.2	0.73	6.5	24.5	18.0	0.74	6.8	24.0	17.8	0.74	7.1	
	28	26.2	17.4	0.66	6.5	25.8	17.2	0.67	6.6	25.3	17.0	0.67	6.9	24.8	16.7	0.67	7.2
		22	27.1	16.2	0.60	6.6	26.7	16.0	0.60	6.7	26.3	15.9	0.60	7.0	25.1	15.1	0.60
23	27.8	14.8	0.53	6.8	27.5	14.7	0.53	6.8	27.2	14.5	0.53	7.1	25.9	13.8	0.53	7.4	
	24	29.0	13.6	0.47	6.9	28.6	13.3	0.47	7.0	28.2	13.1	0.46	7.3	26.8	12.4	0.46	7.6
		20	25.2	20.7	0.82	6.4	24.8	20.5	0.83	6.5	24.5	20.4	0.84	6.8	23.5	19.8	0.84
21	26.2	19.7	0.75	6.5	25.8	19.5	0.76	6.6	25.3	19.2	0.76	6.9	24.8	18.9	0.76	7.2	
	30	27.1	18.5	0.68	6.6	26.7	18.2	0.68	6.7	26.3	18.0	0.68	7.0	25.1	17.4	0.69	7.3
		23	27.8	17.2	0.62	6.8	27.5	17.0	0.62	6.8	27.2	16.8	0.62	7.1	25.9	16.2	0.62
24	29.0	16.0	0.55	6.9	28.6	15.8	0.55	7.0	28.2	15.6	0.55	7.3	27.5	15.2	0.55	7.6	

Note1. * Q : COOLING CAPACITY SHC:SENSIBLE HEAT CAPACITY T/I:TOTAL INPUT

Factor for Various Air Flow

PE-8MYC-EU PEH-8MYA-EU	AIR VOLUME	CMM		
		60	70	80
		1,000	1,167	1,330
COOLING	CAPACITY	0.976	1.0	1.025
	TOTAL INPUT	0.991	1.0	1.009
	SHC	0.963	1.0	1.044

Heating Capacity (Standard Air Flow) PEH-8MYA-EU (combined with PUH-8MYE-EU)

INDOOR	OUTDOOR WB°C					
	-10.0		-5.0		0.0	
	Q kW	T/I kW	Q kW	T/IkW	Q kW	T/IkW
15	14.7	4.9	16.7	5.3	19.1	5.7
16	14.6	4.9	16.7	5.3	19	5.7
17	14.5	5.0	16.6	5.3	19	5.8
18	14.4	5.0	16.5	5.4	18.9	5.8
19	14.2	5.1	16.4	5.4	18.8	5.8
20	14.2	5.1	16.4	5.4	18.8	5.9
21	14.2	5.1	16.3	5.5	18.7	5.9
22	14.1	5.1	16.3	5.5	18.7	6.0
23	14	5.1	16.2	5.5	18.6	6.0
24	14	5.1	16.1	5.6	18.5	6.1
25	14	5.1	16.2	5.6	18.6	6.1
26	13.8	5.1	16	5.6	18.3	6.1
27	13.8	5.2	15.9	5.6	18.2	6.2

INDOOR	OUTDOOR WB°C					
	5.0		10.0		15.0	
	Q kW	T/I kW	Q kW	T/IkW	Q kW	T/IkW
15	21.7	6.2	24.6	6.7	27.8	7.3
16	21.7	6.2	24.6	7.1	27.7	7.4
17	21.6	6.3	24.5	6.9	27.6	7.5
18	21.6	6.3	24.4	6.9	27.6	7.6
19	21.4	6.4	24.3	7.0	27.4	7.7
20	21.4	6.4	24.3	7.0	27.4	7.8
21	21.4	6.5	24.2	7.1	27.3	7.9
22	21.3	6.5	24.2	7.2	27.3	7.9
23	21.2	6.6	24.1	7.3	27.2	8.0
24	21.2	6.7	24	7.3	27.1	8.1
25	21.2	6.7	24	7.4	27.1	8.2
26	21	6.8	23.8	7.5	26.9	8.2
27	20.8	6.8	23.7	7.5	26.8	8.3

* Q : HEATING CAPACITY T/I : TOTAL INPUT

Factor for Various Air Flow

PEH-8MYA-EU	AIR VOLUME	CMM		
		60	70	80
		1,000	1,167	1,330
HEATING	CAPACITY	0.989	1.0	1.011
	TOTAL INPUT	1.010	1.0	0.987

Cooling Capacity (Standard Air Flow)

PE-10MYC-EU , PEH-10MYA-EU (combined with PUH-10MYC1-EU)

INDOOR DB°C	INDOOR WB °C	OUTDOOR:DB°C																							
		20.0				25.0				30.0				35.0				40.0				46.0			
		Q kW	SHCKW	SHF	T/I kW	Q kW	SHCKW	SHF	T/I kW	Q kW	SHCKW	SHF	T/I kW	Q kW	SHCKW	SHF	T/I kW	Q kW	SHCKW	SHF	T/I kW	Q kW	SHCKW	SHF	T/I kW
20	15	27.8	19.6	0.71	8.1	27.0	19.2	0.71	8.5	26.1	18.7	0.72	9.1	25.1	18.1	0.72	9.7	23.9	17.6	0.74	10.5	22.5	17.0	0.75	11.3
	16	28.9	18.2	0.63	8.2	28.1	17.9	0.64	8.6	27.1	17.3	0.64	9.2	26.0	16.7	0.64	9.8	24.7	16.1	0.65	10.6	23.3	15.4	0.66	11.4
	17	30.0	16.7	0.56	8.3	29.1	16.3	0.56	8.7	28.1	15.8	0.56	9.2	26.9	15.1	0.56	9.9	25.6	14.5	0.57	10.7	24.1	13.8	0.57	11.5
22	15	27.8	22.5	0.81	8.1	27.0	22.2	0.82	8.5	26.1	21.8	0.84	9.1	25.1	21.4	0.85	9.7	23.9	20.9	0.87	10.5	22.5	20.1	0.89	11.3
	16	28.9	21.3	0.74	8.2	28.1	21.0	0.75	8.6	27.1	20.5	0.76	9.2	26.0	19.9	0.77	9.8	24.7	19.4	0.78	10.6	23.3	18.7	0.80	11.4
	17	30.0	19.8	0.66	8.3	29.1	19.5	0.67	8.7	28.1	19.0	0.68	9.2	26.9	18.3	0.68	9.9	25.6	17.8	0.70	10.7	24.1	17.2	0.71	11.5
24	18	31.1	18.3	0.59	8.3	30.2	18.0	0.59	8.8	29.1	17.5	0.60	9.3	27.9	16.9	0.61	10.0	26.5	16.3	0.62	10.8	24.9	15.6	0.63	11.6
	19	32.1	16.5	0.51	8.4	31.2	16.2	0.52	8.9	30.1	15.8	0.52	9.4	28.8	15.3	0.53	10.1	27.3	14.6	0.54	10.9	25.7	13.9	0.54	11.7
	16	28.9	24.6	0.85	8.2	28.1	24.2	0.86	8.6	27.1	23.7	0.88	9.2	26.0	23.2	0.89	9.8	24.7	22.7	0.92	10.6	23.3	22.0	0.94	11.4
26	17	30.0	23.0	0.77	8.3	29.1	22.6	0.78	8.7	28.1	22.1	0.79	9.2	26.9	21.6	0.80	9.9	25.6	21.1	0.82	10.7	24.1	20.4	0.85	11.5
	18	31.1	21.3	0.68	8.3	30.2	20.8	0.69	8.8	29.1	20.4	0.70	9.3	27.9	19.8	0.71	10.0	26.5	19.4	0.73	10.8	24.9	18.7	0.75	11.6
	19	32.1	19.6	0.61	8.4	31.2	19.2	0.61	8.9	30.1	18.7	0.62	9.4	28.8	18.2	0.63	10.1	27.3	17.6	0.65	10.9	25.7	17.0	0.66	11.7
28	20	34.6	18.6	0.54	8.5	33.6	18.1	0.54	9.0	32.4	17.6	0.54	9.5	31.0	17.0	0.55	10.2	29.4	16.5	0.56	11.0	27.6	15.8	0.57	11.8
	21	34.6	16.1	0.47	8.6	33.6	15.6	0.46	9.1	32.4	15.1	0.47	9.6	31.0	14.6	0.47	10.3	29.4	14.0	0.48	11.1	27.6	13.3	0.48	12.0
	18	31.1	24.2	0.78	8.3	30.2	23.9	0.79	8.8	29.1	23.4	0.81	9.3	27.9	22.9	0.82	10.0	26.5	22.4	0.85	10.8	24.9	21.7	0.87	11.6
30	19	32.1	22.6	0.70	8.4	31.2	22.3	0.71	8.9	30.1	21.8	0.72	9.4	28.8	21.2	0.74	10.1	27.3	20.7	0.76	10.9	25.7	20.1	0.78	11.7
	20	34.6	21.8	0.63	8.5	33.6	21.5	0.64	9.0	32.4	20.9	0.64	9.5	31.0	20.1	0.65	10.2	29.4	19.7	0.67	11.0	27.6	19.1	0.69	11.8
	21	34.6	19.6	0.57	8.4	33.6	19.3	0.57	9.1	32.4	18.8	0.58	9.6	31.0	18.1	0.58	10.3	29.4	17.6	0.60	11.1	27.6	17.0	0.62	12.0
32	22	35.8	18.0	0.50	8.7	34.7	17.7	0.51	9.2	33.5	17.2	0.51	9.8	32.0	16.6	0.52	10.4	30.4	16.1	0.53	11.2	28.6	15.5	0.54	12.1
	23	36.9	16.3	0.44	8.8	35.9	15.9	0.44	9.3	34.6	15.5	0.45	9.9	33.1	15.0	0.45	10.6	31.4	14.4	0.46	11.4	29.5	13.7	0.47	12.2
	19	32.1	26.0	0.81	8.4	31.2	25.6	0.82	8.9	30.1	25.3	0.84	9.4	28.8	24.8	0.86	10.1	27.3	24.2	0.89	10.9	25.7	23.4	0.91	11.7
34	20	34.6	25.4	0.73	8.5	33.6	25.0	0.74	9.0	32.4	24.7	0.76	9.5	31.0	24.2	0.78	10.2	29.4	23.6	0.80	11.0	27.6	22.8	0.83	11.8
	21	34.6	22.8	0.66	8.6	33.6	22.5	0.67	9.1	32.4	22.2	0.68	9.6	31.0	21.7	0.70	10.3	29.4	21.2	0.72	11.1	27.6	20.4	0.74	12.0
	22	35.8	21.3	0.60	8.7	34.7	20.9	0.60	9.2	33.5	20.7	0.62	9.8	32.0	20.1	0.63	10.4	30.4	19.6	0.64	11.2	28.6	18.9	0.66	12.1
36	23	36.9	19.7	0.53	8.8	35.9	19.3	0.54	9.3	34.6	19.0	0.55	9.9	33.1	18.5	0.56	10.6	31.4	17.9	0.57	11.4	29.5	17.1	0.58	12.3
	24	38.0	17.9	0.47	8.9	36.9	17.5	0.47	9.4	35.7	17.2	0.48	10.0	34.2	16.7	0.49	10.7	32.5	16.1	0.49	11.5	30.5	15.2	0.50	12.4
	20	34.6	28.0	0.81	8.5	33.6	27.5	0.82	9.0	32.4	27.0	0.83	9.5	31.0	26.3	0.85	10.2	29.4	26.0	0.89	11.0	27.6	25.4	0.92	11.8
38	21	34.6	25.8	0.75	8.6	33.6	25.3	0.75	9.1	32.4	24.9	0.77	9.6	31.0	24.3	0.78	10.3	29.4	23.9	0.81	11.1	27.6	23.2	0.84	12.0
	22	35.8	24.5	0.68	8.7	34.7	23.9	0.69	9.2	33.5	23.6	0.70	9.8	32.0	23.0	0.72	10.4	30.4	22.5	0.74	11.2	28.6	21.8	0.76	12.1
	23	36.9	23.0	0.62	8.5	35.9	22.6	0.63	9.3	34.6	22.2	0.64	9.9	33.1	21.6	0.65	10.6	31.4	21.0	0.67	11.4	29.5	20.2	0.69	12.3
40	24	38.0	21.4	0.56	8.9	36.9	21.0	0.57	9.4	35.7	20.6	0.58	10.0	34.2	20.1	0.59	10.7	32.5	19.5	0.60	11.5	30.5	18.6	0.61	12.4

Note1. * Q :COOLING CAPACITY SHC:SENSIBLE HEAT CAPACITY T/I:TOTAL INPUT

Factor for Various Air Flow

PE-10MYC-EU PEH-10MYA-EU	AIR VOLUME	CMM		
		80	90	100
	L/S	1,330	1,550	1,660
COOLING	CAPACITY	0.977	1.0	1.035
	TOTAL INPUT	0.991	1.0	1.005
	SHC	0.968	1.0	1.037

Cooling Capacity (Standard Air Flow) (Use for low ambient cooling parts)

PE-10MYC-EU , PEH-10MYA-EU (combined with PUH-10MYC1-EU)

INDOOR DB°C	OUTDOOR DB°C																			
	-5.0				0.0				5.0				10.0				15.0			
	Q kW	SHCkW	SHF	T/I kW	Q kW	SHCkW	SHF	T/I kW	Q kW	SHCkW	SHF	T/I kW	Q kW	SHCkW	SHF	T/I kW	Q kW	SHCkW	SHF	T/I kW
15	28.2	19.5	0.69	7.5	27.8	19.2	0.69	7.8	27.3	18.9	0.69	8.1	26.7	18.6	0.70	8.6	25.9	18.2	0.70	9.2
20	29.3	18.0	0.61	7.7	28.9	17.7	0.61	8.0	28.4	17.4	0.61	8.3	27.7	17.2	0.62	8.7	26.9	16.8	0.63	9.3
17	30.3	16.3	0.54	7.8	29.9	16.1	0.54	8.1	29.4	15.9	0.54	8.4	28.7	15.6	0.54	8.8	27.9	15.4	0.55	9.3
15	28.2	22.3	0.79	7.5	27.8	22.0	0.79	7.8	27.3	21.6	0.79	8.1	26.7	21.2	0.80	8.6	25.9	20.8	0.80	9.2
16	29.3	20.9	0.71	7.7	28.9	20.7	0.72	8.0	28.4	20.4	0.72	8.3	27.7	20.0	0.72	8.7	26.9	19.5	0.73	9.3
17	30.3	19.4	0.64	7.8	29.9	19.3	0.64	8.1	29.4	19.1	0.65	8.4	28.7	18.6	0.65	8.8	27.9	18.2	0.65	9.3
18	31.3	17.9	0.57	7.9	30.9	17.8	0.58	8.2	30.4	17.6	0.58	8.5	29.7	17.2	0.58	8.9	28.9	16.8	0.58	9.4
19	32.6	16.6	0.51	7.9	32.1	16.4	0.51	8.2	31.5	16.0	0.51	8.6	30.8	15.7	0.51	9.0	29.9	15.2	0.51	9.6
16	29.3	24.0	0.82	7.7	28.9	23.8	0.82	8.0	28.4	23.5	0.83	8.3	27.7	23.1	0.83	8.7	26.9	22.6	0.84	9.3
17	30.3	22.6	0.74	7.8	29.9	22.3	0.75	8.1	29.4	22.0	0.75	8.4	28.7	21.7	0.75	8.8	27.9	21.2	0.76	9.3
18	31.3	20.9	0.67	7.9	30.9	20.7	0.67	8.2	30.4	20.4	0.67	8.5	29.7	20.0	0.67	8.9	28.9	19.7	0.68	9.4
19	32.6	19.5	0.60	7.9	32.1	19.2	0.60	8.2	31.5	18.9	0.60	8.6	30.8	18.6	0.60	9.0	29.9	18.2	0.61	9.6
20	34.9	18.4	0.53	8.0	34.4	18.2	0.53	8.3	33.9	17.9	0.53	8.6	33.1	17.7	0.53	9.1	32.2	17.3	0.54	9.7
21	34.9	16.0	0.46	8.1	34.4	15.8	0.46	8.4	33.9	15.5	0.46	8.7	33.1	15.3	0.46	9.1	32.2	15.1	0.47	9.8
18	31.3	23.7	0.76	7.9	30.9	23.5	0.76	8.2	30.4	23.1	0.76	8.5	29.7	22.7	0.76	8.9	28.9	22.3	0.77	9.4
19	32.6	22.4	0.69	7.9	32.1	22.1	0.69	8.2	31.5	21.7	0.69	8.6	30.8	21.3	0.69	9.0	29.9	20.8	0.69	9.6
20	34.9	21.6	0.62	8.0	34.4	21.3	0.62	8.3	33.9	20.9	0.62	8.6	33.1	20.5	0.62	9.1	32.2	19.9	0.62	9.7
21	34.9	19.5	0.56	8.1	34.4	19.2	0.56	8.4	33.9	18.9	0.56	8.7	33.1	18.5	0.56	9.1	32.2	18.0	0.56	9.8
22	36.0	17.9	0.50	8.2	35.6	17.7	0.50	8.5	35.0	17.4	0.50	8.8	34.2	17.0	0.50	9.2	33.3	16.6	0.50	9.9
23	37.0	16.2	0.44	8.2	36.6	16.0	0.44	8.6	36.1	15.8	0.44	8.9	35.3	15.5	0.44	9.3	34.3	15.0	0.44	10.0
19	32.6	25.7	0.79	7.9	32.1	25.4	0.79	8.2	31.5	24.9	0.79	8.6	30.8	24.5	0.79	9.0	29.9	23.9	0.80	9.6
20	34.9	24.9	0.71	8.0	34.4	24.6	0.72	8.3	33.9	24.3	0.72	8.6	33.1	23.9	0.72	9.1	32.2	23.3	0.72	9.7
21	34.9	22.2	0.64	8.1	34.4	22.1	0.64	8.4	33.9	21.9	0.65	8.7	33.1	21.5	0.65	9.1	32.2	20.9	0.65	9.8
22	36.0	21.0	0.58	8.2	35.6	20.9	0.59	8.5	35.0	20.6	0.59	8.8	34.2	20.1	0.59	9.2	33.3	19.6	0.59	9.9
23	37.0	19.5	0.53	8.2	36.6	19.3	0.53	8.6	36.1	19.0	0.53	8.9	35.3	18.6	0.53	9.3	34.3	18.1	0.53	10.0
24	37.8	17.9	0.47	8.3	37.5	17.6	0.47	8.6	36.9	17.3	0.47	9.0	36.2	17.0	0.47	9.5	35.3	16.5	0.47	10.0
20	34.9	27.5	0.79	8.0	34.4	27.1	0.79	8.3	33.9	26.7	0.79	8.6	33.1	26.3	0.79	9.1	32.2	25.7	0.80	9.7
21	34.9	25.4	0.73	8.1	34.4	25.1	0.73	8.4	33.9	24.7	0.73	8.7	33.1	24.3	0.73	9.1	32.2	23.8	0.74	9.8
22	36.0	24.0	0.67	8.2	35.6	23.8	0.67	8.5	35.0	23.4	0.67	8.8	34.2	23.0	0.67	9.2	33.3	22.6	0.68	9.9
23	37.0	22.5	0.61	8.2	36.6	22.2	0.61	8.6	36.1	21.9	0.61	8.9	35.3	21.6	0.61	9.3	34.3	21.2	0.62	10.0
24	37.8	20.7	0.55	8.3	37.5	20.5	0.55	8.6	36.9	20.2	0.55	9.0	36.2	20.0	0.55	9.5	35.3	19.7	0.56	10.0

Note1. * Q :COOLING CAPACITY SHC:SENSIBLE HEAT CAPACITY T/I:TOTAL INPUT

Factor for Various Air Flow

PE-10MYC-EU PEH-10MYA-EU	AIR VOLUME			CMM
	80	90	100	
	1,330	1,550	1,660	
COOLING	CAPACITY			
	0.977	1.0	1.035	
	TOTAL INPUT			
	0.991	1.0	1.005	
	0.968	1.0	1.037	

Heating Capacity (Standard Air Flow) PEH-10MYA-EU (combined with PUH-10MYC1-EU)

INDOOR DB°C	OUTDOOR WB°C					
	-10.0		-5.0		0.0	
	Q kW	T/I kW	Q kW	T/I kW	Q kW	T/I kW
15	18.4	5.8	21.4	6.3	24.8	6.9
16	18.3	5.8	205.8	6.3	24.5	6.9
17	18.2	5.8	21.3	6.3	24.6	7.0
18	18.2	5.9	21.2	6.4	24.5	7.0
19	18.1	5.9	21.1	6.4	24.4	7.1
20	18.0	5.9	21.0	6.5	24.3	7.1
21	17.9	5.9	20.9	6.5	24.3	7.2
22	17.8	6.0	20.8	6.5	24.2	7.3
23	17.7	6.0	20.7	6.6	24.1	7.3
24	17.6	6.0	20.6	6.6	24.0	7.4
25	17.5	6.0	20.5	6.7	23.9	7.5
26	17.4	6.1	20.4	6.7	23.7	7.5
27	17.3	6.1	20.3	6.8	23.6	7.6

INDOOR DB°C	OUTDOOR WB°C					
	5.0		10.0		15.0	
	Q kW	T/I kW	Q kW	T/I kW	Q kW	T/I kW
15	28.6	7.7	32.8	8.6	37.3	9.6
16	28.5	7.6	32.7	8.5	37.2	9.5
17	28.4	7.8	32.6	8.7	37.1	9.7
18	28.3	7.8	32.5	8.8	37.0	9.9
19	28.1	7.9	32.3	8.9	36.9	10.0
20	28.1	8.0	32.2	9.0	36.8	10.1
21	28.0	8.1	32.1	9.1	36.6	10.2
22	27.9	8.1	32.0	9.1	36.4	10.3
23	27.8	8.2	31.8	9.2	36.2	10.3
24	27.7	8.3	31.7	9.3	36.1	10.4
25	27.6	8.4	31.6	9.4	35.9	10.5
26	27.4	8.4	31.4	9.5	35.6	10.7
27	27.2	8.5	31.1	9.6	35.4	10.8

* Q : HEATING CAPACITY T/I : TOTAL INPUT

Factor for Various Air Flow

PEH-10MYA-EU	AIR VOLUME			CMM
	80	90	100	
	1,330	1,500	1,660	
HEATING	CAPACITY			
	0.989	1.0	1.008	
	TOTAL INPUT			
	1.025	1.0	0.984	

Cooling Capacity (Standard Air Flow) PE-10MYC-EU , PEH-10MYA-EU (combined with PUH-10MYE-EU)

INDOOR DB°C	INDOOR WB °C	OUTDOOR DB°C																							
		20.0				25.0				30.0				35.0				40.0				46.0			
		Q kW	SHCKW	SHF	T/I kW	Q kW	SHCKW	SHF	T/I kW	Q kW	SHCKW	SHF	T/I kW	Q kW	SHCKW	SHF	T/I kW	Q kW	SHCKW	SHF	T/I kW	Q kW	SHCKW	SHF	T/I kW
20	15	27.8	19.6	0.71	8.2	27.0	19.2	0.71	8.6	26.1	18.7	0.72	9.2	25.1	18.1	0.72	9.8	23.9	17.6	0.74	10.6	22.5	17.0	0.75	11.4
	16	28.9	18.2	0.63	8.3	28.1	17.9	0.64	8.7	27.1	17.3	0.64	9.3	26.0	16.7	0.64	9.9	24.7	16.1	0.65	10.7	23.3	15.4	0.66	11.5
	17	30.0	16.7	0.56	8.4	29.1	16.3	0.56	8.8	28.1	15.8	0.56	9.3	26.9	15.1	0.56	10.0	25.6	14.5	0.57	10.8	24.1	13.8	0.57	11.6
22	15	27.8	22.5	0.81	8.2	27.0	22.2	0.82	8.6	26.1	21.8	0.84	9.2	25.1	21.4	0.85	9.8	23.9	20.9	0.87	10.6	22.5	20.1	0.89	11.4
	16	28.9	21.3	0.74	8.3	28.1	21.0	0.75	8.7	27.1	20.5	0.76	9.3	26.0	19.9	0.77	9.9	24.7	19.4	0.78	10.7	23.3	18.7	0.80	11.5
	17	30.0	19.8	0.66	8.4	29.1	19.5	0.67	8.8	28.1	19.0	0.68	9.3	26.9	18.3	0.68	10.0	25.6	17.8	0.70	10.8	24.1	17.2	0.71	11.6
24	18	31.1	18.3	0.59	8.4	30.2	18.0	0.59	8.9	29.1	17.5	0.60	9.4	27.9	16.9	0.61	10.1	26.5	16.3	0.62	10.9	24.9	15.6	0.63	11.7
	19	32.1	16.5	0.51	8.5	31.2	16.2	0.52	9.0	30.1	15.8	0.52	9.5	28.8	15.3	0.53	10.2	27.3	14.6	0.54	11.0	25.7	13.9	0.54	11.8
	16	28.9	24.6	0.85	8.3	28.1	24.2	0.86	8.7	27.1	23.7	0.88	9.3	26.0	23.2	0.89	9.9	24.7	22.7	0.92	10.7	23.3	22.0	0.94	11.5
26	17	30.0	23.0	0.77	8.4	29.1	22.6	0.78	8.8	28.1	22.1	0.79	9.3	26.9	21.6	0.80	10.0	25.6	21.1	0.82	10.8	24.1	20.4	0.85	11.6
	18	31.1	21.3	0.68	8.4	30.2	20.8	0.69	8.9	29.1	20.4	0.70	9.4	27.9	19.8	0.71	10.1	26.5	19.4	0.73	10.9	24.9	18.7	0.75	11.7
	19	32.1	19.6	0.61	8.5	31.2	19.2	0.61	9.0	30.1	18.7	0.62	9.5	28.8	18.2	0.63	10.2	27.3	17.6	0.65	11.0	25.7	17.0	0.66	11.8
28	20	34.6	18.6	0.54	8.6	33.6	18.1	0.54	9.1	32.4	17.6	0.54	9.6	31.0	17.0	0.55	10.3	29.4	16.5	0.56	11.1	27.6	15.8	0.57	11.9
	21	34.6	16.1	0.47	8.7	33.6	15.6	0.46	9.2	32.4	15.1	0.47	9.7	31.0	14.6	0.47	10.4	29.4	14.0	0.48	11.2	27.6	13.3	0.48	12.1
	18	31.1	24.2	0.78	8.4	30.2	23.9	0.79	8.9	29.1	23.4	0.81	9.4	27.9	22.9	0.82	10.1	26.5	22.4	0.85	10.9	24.9	21.7	0.87	11.7
30	19	32.1	22.6	0.70	8.5	31.2	22.3	0.71	9.0	30.1	21.8	0.72	9.5	28.8	21.2	0.74	10.2	27.3	20.7	0.76	11.0	25.7	20.1	0.78	11.8
	20	34.6	21.8	0.63	8.6	33.6	21.5	0.64	9.1	32.4	20.9	0.64	9.6	31.0	20.1	0.65	10.3	29.4	19.7	0.67	11.1	27.6	19.1	0.69	11.9
	21	34.6	19.6	0.57	8.7	33.6	19.3	0.57	9.2	32.4	18.8	0.58	9.7	31.0	18.1	0.58	10.4	29.4	17.6	0.60	11.2	27.6	17.0	0.62	12.1
28	22	35.8	18.0	0.50	8.8	34.7	17.7	0.51	9.3	33.5	17.2	0.51	9.9	32.0	16.6	0.52	10.5	30.4	16.1	0.53	11.3	28.6	15.5	0.54	12.2
	23	36.9	16.3	0.44	8.9	35.9	15.9	0.44	9.4	34.6	15.5	0.45	10.0	33.1	15.0	0.45	10.7	31.4	14.4	0.46	11.5	29.5	13.7	0.47	12.3
	19	32.1	26.0	0.81	8.5	31.2	25.6	0.82	9.0	30.1	25.3	0.84	9.5	28.8	24.8	0.86	10.2	27.3	24.2	0.89	11.0	25.7	23.4	0.91	11.8
30	20	34.6	25.4	0.73	8.6	33.6	25.0	0.74	9.1	32.4	24.7	0.76	9.6	31.0	24.2	0.78	10.3	29.4	23.6	0.80	11.1	27.6	22.8	0.83	11.9
	21	34.6	22.8	0.66	8.7	33.6	22.5	0.67	9.2	32.4	22.2	0.68	9.7	31.0	21.7	0.70	10.4	29.4	21.2	0.72	11.2	27.6	20.4	0.74	12.1
	22	35.8	21.3	0.60	8.8	34.7	20.9	0.60	9.3	33.5	20.7	0.62	9.9	32.0	20.1	0.63	10.5	30.4	19.6	0.64	11.3	28.6	18.9	0.66	12.2
24	23	36.9	19.7	0.53	8.9	35.9	19.3	0.54	9.4	34.6	19.0	0.55	10.0	33.1	18.5	0.56	10.7	31.4	17.9	0.57	11.5	29.5	17.1	0.58	12.4
	24	38.0	17.9	0.47	9.0	36.9	17.5	0.47	9.5	35.7	17.2	0.48	10.1	34.2	16.7	0.49	10.8	32.5	16.1	0.49	11.6	30.5	15.2	0.50	12.5
	20	34.6	28.0	0.81	8.6	33.6	27.5	0.82	9.1	32.4	27.0	0.83	9.6	31.0	26.3	0.85	10.3	29.4	26.0	0.89	11.1	27.6	25.4	0.92	11.9
24	21	34.6	25.8	0.75	8.7	33.6	25.3	0.75	9.2	32.4	24.9	0.77	9.7	31.0	24.3	0.78	10.4	29.4	23.9	0.81	11.2	27.6	23.2	0.84	12.1
	22	35.8	24.5	0.68	8.8	34.7	23.9	0.69	9.3	33.5	23.6	0.70	9.9	32.0	23.0	0.72	10.5	30.4	22.5	0.74	11.3	28.6	21.8	0.76	12.2
	23	36.9	23.0	0.62	8.6	35.9	22.6	0.63	9.4	34.6	22.2	0.64	10.0	33.1	21.6	0.65	10.7	31.4	21.0	0.67	11.5	29.5	20.2	0.69	12.4
24	38.0	21.4	0.56	9.0	36.9	21.0	0.57	9.5	35.7	20.6	0.58	10.1	34.2	20.1	0.59	10.8	32.5	19.5	0.60	11.6	30.5	18.6	0.61	12.5	

Note1. * Q :COOLING CAPACITY SHC:SENSIBLE HEAT CAPACITY T/I:TOTAL INPUT

Factor for Various Air Flow

PE-10MYC-EU PEH-10MYA-EU	AIR VOLUME	CMM		
		80	90	100
COOLING	CAPACITY	L/S		
		1.330	1.550	1.660
		0.977	1.0	1.035
TOTAL INPUT	SHC	TOTAL INPUT		
		0.991	1.0	1.005
		SHC		
		0.968	1.0	1.037

Cooling Capacity (Standard Air Flow) (Use for low ambient cooling parts)

PE-10MYC-EU , PEH-10MYA-EU (combined with PUH-10MYE-EU)

INDOOR	OUTDOOR DB°C																			
	-5.0				0.0				5.0				10.0				15.0			
	DB°C	Q kW	SHCkW	SHF	T/I kW	Q kW	SHCkW	SHF	T/I kW	Q kW	SHCkW	SHF	T/I kW	Q kW	SHCkW	SHF	T/I kW	Q kW	SHCkW	SHF
15	28.2	19.5	0.69	7.6	27.8	19.2	0.69	7.9	27.3	18.9	0.69	8.2	26.7	18.6	0.70	8.7	25.9	18.2	0.70	9.3
20	29.3	18.0	0.61	7.8	28.9	17.7	0.61	8.1	28.4	17.4	0.61	8.4	27.7	17.2	0.62	8.8	26.9	16.8	0.63	9.4
17	30.3	16.3	0.54	7.9	29.9	16.1	0.54	8.2	29.4	15.9	0.54	8.5	28.7	15.6	0.54	8.9	27.9	15.4	0.55	9.4
15	28.2	22.3	0.79	7.6	27.8	22.0	0.79	7.9	27.3	21.6	0.79	8.2	26.7	21.2	0.80	8.7	25.9	20.8	0.80	9.3
16	29.3	20.9	0.71	7.8	28.9	20.7	0.72	8.1	28.4	20.4	0.72	8.4	27.7	20.0	0.72	8.8	26.9	19.5	0.73	9.4
17	30.3	19.4	0.64	7.9	29.9	19.3	0.64	8.2	29.4	19.1	0.65	8.5	28.7	18.6	0.65	8.9	27.9	18.2	0.65	9.4
18	31.3	17.9	0.57	8.0	30.9	17.8	0.58	8.3	30.4	17.6	0.58	8.6	29.7	17.2	0.58	9.0	28.9	16.8	0.58	9.5
19	32.6	16.6	0.51	8.0	32.1	16.4	0.51	8.3	31.5	16.0	0.51	8.7	30.8	15.7	0.51	9.1	29.9	15.2	0.51	9.7
16	29.3	24.0	0.82	7.8	28.9	23.8	0.82	8.1	28.4	23.5	0.83	8.4	27.7	23.1	0.83	8.8	26.9	22.6	0.84	9.4
17	30.3	22.6	0.74	7.9	29.9	22.3	0.75	8.2	29.4	22.0	0.75	8.5	28.7	21.7	0.75	8.9	27.9	21.2	0.76	9.4
18	31.3	20.9	0.67	8.0	30.9	20.7	0.67	8.3	30.4	20.4	0.67	8.6	29.7	20.0	0.67	9.0	28.9	19.7	0.68	9.5
19	32.6	19.5	0.60	8.0	32.1	19.2	0.60	8.3	31.5	18.9	0.60	8.7	30.8	18.6	0.60	9.1	29.9	18.2	0.61	9.7
20	34.9	18.4	0.53	8.1	34.4	18.2	0.53	8.4	33.9	17.9	0.53	8.7	33.1	17.7	0.53	9.2	32.2	17.3	0.54	9.8
21	34.9	16.0	0.46	8.2	34.4	15.8	0.46	8.5	33.9	15.5	0.46	8.8	33.1	15.3	0.46	9.2	32.2	15.1	0.47	9.9
18	31.3	23.7	0.76	8.0	30.9	23.5	0.76	8.3	30.4	23.1	0.76	8.6	29.7	22.7	0.76	9.0	28.9	22.3	0.77	9.5
19	32.6	22.4	0.69	8.0	32.1	22.1	0.69	8.3	31.5	21.7	0.69	8.7	30.8	21.3	0.69	9.1	29.9	20.8	0.69	9.7
20	34.9	21.6	0.62	8.1	34.4	21.3	0.62	8.4	33.9	20.9	0.62	8.7	33.1	20.5	0.62	9.2	32.2	19.9	0.62	9.8
21	34.9	19.5	0.56	8.2	34.4	19.2	0.56	8.5	33.9	18.9	0.56	8.8	33.1	18.5	0.56	9.2	32.2	18.0	0.56	9.9
22	36.0	17.9	0.50	8.3	35.6	17.7	0.50	8.6	35.0	17.4	0.50	8.9	34.2	17.0	0.50	9.3	33.3	16.6	0.50	10.0
23	37.0	16.2	0.44	8.3	36.6	16.0	0.44	8.7	36.1	15.8	0.44	9.0	35.3	15.5	0.44	9.4	34.3	15.0	0.44	10.1
19	32.6	25.7	0.79	8.0	32.1	25.4	0.79	8.3	31.5	24.9	0.79	8.7	30.8	24.5	0.79	9.1	29.9	23.9	0.80	9.7
20	34.9	24.9	0.71	8.1	34.4	24.6	0.72	8.4	33.9	24.3	0.72	8.7	33.1	23.9	0.72	9.2	32.2	23.3	0.72	9.8
21	34.9	22.2	0.64	8.2	34.4	22.1	0.64	8.5	33.9	21.9	0.65	8.8	33.1	21.5	0.65	9.2	32.2	20.9	0.65	9.9
22	36.0	21.0	0.58	8.3	35.6	20.9	0.59	8.6	35.0	20.6	0.59	8.9	34.2	20.1	0.59	9.3	33.3	19.6	0.59	10.0
23	37.0	19.5	0.53	8.3	36.6	19.3	0.53	8.7	36.1	19.0	0.53	9.0	35.3	18.6	0.53	9.4	34.3	18.1	0.53	10.1
24	37.8	17.9	0.47	8.4	37.5	17.6	0.47	8.7	36.9	17.3	0.47	9.1	36.2	17.0	0.47	9.6	35.3	16.5	0.47	10.1
20	34.9	27.5	0.79	8.1	34.4	27.1	0.79	8.4	33.9	26.7	0.79	8.7	33.1	26.3	0.79	9.2	32.2	25.7	0.80	9.8
21	34.9	25.4	0.73	8.2	34.4	25.1	0.73	8.5	33.9	24.7	0.73	8.8	33.1	24.3	0.73	9.2	32.2	23.8	0.74	9.9
22	36.0	24.0	0.67	8.3	35.6	23.8	0.67	8.6	35.0	23.4	0.67	8.9	34.2	23.0	0.67	9.3	33.3	22.6	0.68	10.0
23	37.0	22.5	0.61	8.3	36.6	22.2	0.61	8.7	36.1	21.9	0.61	9.0	35.3	21.6	0.61	9.4	34.3	21.2	0.62	10.1
24	37.8	20.7	0.55	8.4	37.5	20.5	0.55	8.7	36.9	20.2	0.55	9.1	36.2	20.0	0.55	9.6	35.3	19.7	0.56	10.1

Note1. * Q : COOLING CAPACITY SHC:SENSIBLE HEAT CAPACITY T/I:TOTAL INPUT

Factor for Various Air Flow

PE-10MYC-EU PEH-10MYA-EU	AIR VOLUME	CMM		
		80	90	100
		1,330	1,550	1,660
COOLING	CAPACITY	0.977	1.0	1.035
	TOTAL INPUT	0.991	1.0	1.005
	SHC	0.968	1.0	1.037

Heating Capacity (Standard Air Flow) PEH-10MYA-EU (combined with PUH-10MYE-EU)

INDOOR	OUTDOOR WB°C					
	-10.0		-5.0		0.0	
	Q kW	T/I kW	Q kW	T/I kW	Q kW	T/I kW
15	18.4	6.1	21.4	6.4	24.8	7.2
16	18.3	6.1	205.8	6.4	24.5	7.2
17	18.2	6.1	21.3	6.4	24.6	7.3
18	18.2	6.2	21.2	6.5	24.5	7.3
19	18.1	6.2	21.1	6.5	24.4	7.4
20	18.0	6.2	21.0	6.6	24.3	7.4
21	17.9	6.2	20.9	6.6	24.3	7.5
22	17.8	6.3	20.8	6.6	24.2	7.6
23	17.7	6.3	20.7	6.7	24.1	7.6
24	17.6	6.3	20.6	6.7	24.0	7.7
25	17.5	6.3	20.5	6.8	23.9	7.8
26	17.4	6.4	20.4	6.8	23.7	7.8
27	17.3	6.4	20.3	6.9	23.6	7.9

INDOOR	OUTDOOR WB°C					
	5.0		10.0		15.0	
	Q kW	T/I kW	Q kW	T/I kW	Q kW	T/I kW
15	28.6	8.0	32.8	8.7	37.3	9.9
16	28.5	7.9	32.7	8.6	37.2	9.8
17	28.4	8.1	32.6	8.8	37.1	10.0
18	28.3	8.1	32.5	8.9	37.0	10.2
19	28.1	8.2	32.3	9.0	36.9	10.3
20	28.1	8.3	32.2	9.1	36.8	10.4
21	28.0	8.4	32.1	9.2	36.6	10.5
22	27.9	8.4	32.0	9.2	36.4	10.6
23	27.8	8.5	31.8	9.3	36.2	10.6
24	27.7	8.6	31.7	9.4	36.1	10.7
25	27.6	8.7	31.6	9.5	35.9	10.8
26	27.4	8.7	31.4	9.6	35.6	11.0
27	27.2	8.8	31.1	9.7	35.4	11.1

* Q : HEATING CAPACITY T/I : TOTAL INPUT

Factor for Various Air Flow

PEH-10MYA-EU	AIR VOLUME	CMM		
		80	90	100
		1,330	1,500	1,660
HEATING	CAPACITY	0.989	1.0	1.008
	TOTAL INPUT	1.025	1.0	0.984

Cooling Capacity (Standard Air Flow)

PE-15MYC-EU

INDOOR DB.C	INDOOR WB.C	OUTDOOR DB.C																							
		20.0				25.0				30.0				35.0				40.0				46.0			
		Q KW	SHCKW	SHF	T/I KW	Q KW	SHCKW	SHF	T/I KW	Q KW	SHCKW	SHF	T/I KW	Q KW	SHCKW	SHF	T/I KW	Q KW	SHCKW	SHF	T/I KW	Q KW	SHCKW	SHF	T/I KW
20	15	42.6	29.8	0.70	13.8	41.2	29.3	0.71	14.5	39.8	28.7	0.72	15.4	38.4	28.0	0.73	16.5	36.6	27.1	0.74	17.6	35.2	26.4	0.75	19.2
	16	44.0	27.4	0.62	14.0	42.6	26.9	0.63	14.7	41.2	26.1	0.63	15.6	39.8	25.3	0.63	16.7	38.2	24.7	0.65	17.9	36.6	24.1	0.66	19.4
	17	45.4	24.8	0.55	14.2	44.0	24.2	0.55	14.9	42.6	23.2	0.55	15.8	41.2	22.3	0.54	17.0	39.6	22.0	0.55	18.3	37.8	21.5	0.57	19.7
22	15	42.6	35.0	0.82	13.8	41.2	34.2	0.83	14.5	39.8	33.8	0.85	15.4	38.4	33.4	0.87	16.5	36.6	32.2	0.88	17.6	35.2	31.3	0.89	19.2
	16	44.0	32.3	0.73	14.0	42.6	31.8	0.75	14.7	41.2	31.2	0.76	15.6	39.8	30.6	0.77	16.7	38.2	29.9	0.78	17.9	36.6	29.1	0.79	19.4
	17	45.4	29.3	0.65	14.2	44.0	29.1	0.66	14.9	42.6	28.4	0.67	15.8	41.2	27.6	0.67	17.0	39.6	27.1	0.68	18.3	37.8	26.4	0.70	19.7
24	18	47.0	27.2	0.58	14.5	45.6	26.7	0.59	15.1	44.2	26.1	0.59	16.3	42.6	25.4	0.60	17.2	41.2	25.0	0.61	18.5	39.0	24.2	0.62	19.9
	19	48.8	25.0	0.51	14.7	47.2	24.1	0.51	15.6	45.8	23.6	0.52	16.5	44.0	22.9	0.52	17.6	42.6	22.6	0.53	18.8	40.4	21.8	0.54	20.1
	16	44.0	37.9	0.86	14.0	42.6	37.1	0.87	14.7	41.2	36.5	0.89	15.6	39.8	35.8	0.90	16.7	38.2	35.1	0.92	17.9	36.6	34.4	0.94	19.4
26	17	45.4	35.4	0.78	14.2	44.0	34.6	0.79	14.9	42.6	34.0	0.80	15.8	41.2	33.4	0.81	17.0	39.6	32.8	0.83	18.3	37.8	31.9	0.84	19.7
	18	47.0	32.7	0.70	14.5	45.6	32.0	0.70	15.1	44.2	31.4	0.71	16.3	42.6	30.7	0.72	17.2	41.2	30.3	0.74	18.5	39.0	29.2	0.75	19.9
	19	48.8	30.2	0.62	14.7	47.2	29.3	0.62	15.6	45.8	28.8	0.63	16.5	44.0	28.0	0.64	17.6	42.6	27.6	0.65	18.8	40.4	26.7	0.66	20.1
28	20	50.4	27.3	0.54	15.1	48.8	26.4	0.54	15.8	47.4	25.9	0.55	16.7	45.6	25.1	0.55	17.9	44.0	24.7	0.56	19.2	41.8	23.8	0.57	20.6
	21	52.2	24.3	0.46	15.4	50.6	23.4	0.46	16.0	49.0	22.8	0.46	17.0	47.4	22.1	0.47	18.1	45.6	21.6	0.47	19.4	43.4	20.9	0.48	20.8
	18	47.0	37.4	0.80	14.5	45.6	36.5	0.80	15.1	44.2	36.1	0.82	16.3	42.6	35.4	0.83	17.2	41.2	34.8	0.85	18.5	39.0	33.5	0.86	19.9
30	19	48.8	35.1	0.72	14.7	47.2	34.3	0.73	15.6	45.8	33.8	0.74	16.5	44.0	33.0	0.75	17.6	42.6	32.6	0.77	18.8	40.4	31.5	0.78	20.1
	20	50.4	32.4	0.64	15.1	48.8	31.8	0.65	15.8	47.4	31.4	0.66	16.7	45.6	30.6	0.67	17.9	44.0	30.2	0.69	19.2	41.8	29.3	0.70	20.6
	21	52.2	29.7	0.57	15.4	50.6	29.2	0.58	16.0	49.0	28.6	0.58	17.0	47.4	28.0	0.59	18.1	45.6	27.4	0.60	19.4	43.4	26.5	0.61	20.8
32	22	54.0	26.9	0.50	15.6	52.4	26.3	0.50	16.3	50.8	25.8	0.51	17.2	48.8	25.0	0.51	18.3	47.2	24.4	0.52	19.7	44.8	23.3	0.52	21.0
	23	55.8	23.7	0.43	15.8	54.2	23.2	0.43	16.7	52.6	22.6	0.43	17.6	50.6	21.9	0.43	18.8	48.6	21.0	0.43	19.9	46.2	19.9	0.43	21.5
	19	48.8	40.1	0.82	14.7	47.2	39.2	0.83	15.6	45.8	38.5	0.84	16.5	44.0	37.4	0.85	17.6	42.6	37.5	0.88	18.8	40.4	36.8	0.91	20.1
34	20	50.4	37.8	0.75	15.1	48.8	36.9	0.76	15.8	47.4	36.3	0.77	16.7	45.6	35.4	0.78	17.9	44.0	35.4	0.80	19.2	41.8	34.7	0.83	20.6
	21	52.2	35.4	0.68	15.4	50.6	34.5	0.68	16.0	49.0	33.9	0.69	17.0	47.4	33.3	0.70	18.1	45.6	33.1	0.73	19.4	43.4	32.6	0.75	20.8
	22	54.0	32.8	0.61	15.6	52.4	32.1	0.61	16.3	50.8	31.5	0.62	17.2	48.8	30.6	0.63	18.3	47.2	30.4	0.64	19.7	44.8	29.6	0.66	21.0
36	23	55.8	30.0	0.54	15.8	54.2	29.4	0.54	16.7	52.6	28.8	0.55	17.6	50.6	27.9	0.55	18.8	48.6	27.3	0.56	19.9	46.2	26.4	0.57	21.5
	24	57.6	27.0	0.47	16.3	56.0	26.5	0.47	17.0	54.2	25.8	0.48	17.9	52.0	24.8	0.48	19.0	50.4	24.2	0.48	20.1	47.8	23.0	0.48	21.7
	20	50.4	43.2	0.86	15.1	48.8	42.5	0.87	15.8	47.4	42.0	0.89	16.7	45.6	41.1	0.90	17.9	44.0	40.3	0.92	19.2	41.8	38.9	0.93	20.6
38	21	52.2	40.6	0.78	15.4	50.6	39.8	0.79	16.0	49.0	39.3	0.80	17.0	47.4	38.7	0.82	18.1	45.6	38.0	0.83	19.4	43.4	36.9	0.85	20.8
	22	54.0	37.7	0.70	15.6	52.4	36.8	0.70	16.3	50.8	36.4	0.72	17.2	48.8	35.7	0.73	18.3	47.2	35.5	0.75	19.7	44.8	34.5	0.77	21.0
	23	55.8	35.2	0.63	15.8	54.2	34.6	0.64	16.7	52.6	34.4	0.65	17.6	50.6	34.0	0.67	18.8	48.6	33.6	0.69	19.9	46.2	32.9	0.71	21.5
40	24	57.6	32.4	0.56	16.3	56.0	32.1	0.57	17.0	54.2	32.1	0.59	17.9	52.0	31.8	0.61	19.0	50.4	31.9	0.63	20.1	47.8	31.1	0.65	21.7

Note1. * Q :COOLING CAPACITY SHC:SENSIBLE HEAT CAPACITY T/I:TOTAL INPUT

Factor for Various Air Flow

PE-15MYC-EU	AIR VOLUME	CMM		
		120	140	160
	L/S	2,000	2,334	2,660
COOLING	CAPACITY	0.976	1.0	1.025
	TOTAL INPUT	0.991	1.0	1.009
	SHC	0.963	1.0	1.044

Cooling Capacity (Standard Air Flow)

(Use for low ambient cooling parts)

PE-15MYC-EU

INDOOR DB °C	OUTDOOR DB °C																				
	-5.0				0.0				5.0				10.0				15.0				
	Q kW	SHCKW	SHF	T/I kW	Q kW	SHCKW	SHF	T/I kW	Q kW	SHCKW	SHF	T/I kW	Q kW	SHCKW	SHF	T/I kW	Q kW	SHCKW	SHF	T/I kW	
20	15	41.8	28.9	0.69	12.7	40.7	27.9	0.69	13.8	39.4	26.8	0.68	14.9	40.1	27.5	0.69	14.4	43.2	29.8	0.69	13.1
	16	43.7	26.7	0.61	12.9	42.6	25.9	0.61	14.0	41.0	24.9	0.61	15.2	41.8	25.5	0.61	14.7	45.0	27.7	0.62	13.3
	17	45.2	24.0	0.53	13.1	44.2	23.5	0.53	14.3	42.7	22.7	0.53	15.5	43.4	23.3	0.54	14.9	46.6	25.2	0.54	13.6
22	15	41.8	33.5	0.80	12.7	40.7	32.6	0.80	13.8	39.4	31.6	0.80	14.9	40.1	32.3	0.81	14.4	43.2	35.0	0.81	13.1
	16	43.7	31.5	0.72	12.9	42.6	30.8	0.72	14.0	41.0	29.8	0.73	15.2	41.8	30.2	0.72	14.7	45.0	32.5	0.72	13.3
	17	45.2	29.0	0.64	13.1	44.2	28.6	0.65	14.3	42.7	27.8	0.65	15.5	43.4	27.9	0.64	14.9	46.6	29.4	0.63	13.6
24	18	46.9	27.1	0.58	13.4	45.7	26.5	0.58	14.3	44.3	25.8	0.58	15.7	44.9	25.9	0.58	15.2	48.0	27.4	0.57	13.8
	19	48.6	24.9	0.51	13.6	47.2	24.2	0.51	14.8	45.7	23.4	0.51	16.0	46.2	23.6	0.51	15.7	49.6	25.4	0.51	14.5
	16	43.7	37.2	0.85	12.9	42.6	36.0	0.85	14.0	41.0	34.5	0.84	15.2	41.8	35.3	0.85	14.7	45.0	38.3	0.85	13.3
26	17	45.2	34.4	0.76	13.1	44.2	33.7	0.76	14.3	42.7	32.5	0.76	15.5	43.4	33.3	0.77	14.9	46.6	35.9	0.77	13.6
	18	46.9	31.5	0.67	13.4	45.7	30.9	0.68	14.3	44.3	30.2	0.68	15.7	44.9	30.8	0.69	15.2	48.0	33.2	0.69	13.8
	19	48.6	29.3	0.60	13.6	47.2	28.4	0.60	14.8	45.7	27.5	0.60	16.0	46.2	28.2	0.61	15.7	49.6	30.6	0.62	14.5
28	20	50.4	26.8	0.53	13.8	48.8	25.8	0.53	15.1	47.3	24.7	0.52	16.5	48.0	25.6	0.53	16.0	51.6	28.0	0.54	14.5
	21	52.4	24.3	0.46	14.1	50.7	22.9	0.45	15.3	49.0	21.7	0.44	16.8	49.7	22.6	0.46	16.2	53.4	25.0	0.47	14.7
	18	46.9	36.7	0.78	13.4	45.7	35.0	0.77	14.3	44.3	33.3	0.75	15.7	44.9	34.7	0.77	15.2	48.0	38.0	0.79	13.8
30	19	48.6	34.4	0.71	13.6	47.2	33.0	0.70	14.8	45.7	31.6	0.69	16.0	46.2	32.4	0.70	15.7	49.6	35.3	0.71	14.5
	20	50.4	31.8	0.63	13.8	48.8	30.9	0.63	15.1	47.3	29.9	0.63	16.5	48.0	30.4	0.63	16.0	51.6	32.6	0.63	14.5
	21	52.4	29.8	0.57	14.1	50.7	28.7	0.57	15.3	49.0	27.5	0.56	16.8	49.7	27.9	0.56	16.2	53.4	30.0	0.56	14.7
32	22	54.2	27.2	0.50	14.3	52.5	26.2	0.50	15.6	50.9	25.1	0.49	17.1	51.5	25.4	0.49	16.5	55.2	27.2	0.49	14.9
	23	55.7	24.4	0.44	14.8	54.2	23.3	0.43	15.8	52.6	22.2	0.42	17.4	53.2	22.5	0.42	16.7	57.0	24.1	0.42	15.1
	19	48.6	39.0	0.80	13.6	47.2	37.8	0.80	14.8	45.7	36.7	0.80	16.0	46.2	37.3	0.81	15.7	49.6	40.3	0.81	14.5
34	20	50.4	36.9	0.73	13.8	48.8	35.9	0.73	15.1	47.3	34.9	0.74	16.5	48.0	35.5	0.74	16.0	51.6	38.3	0.74	14.5
	21	52.4	34.8	0.66	14.1	50.7	33.8	0.67	15.3	49.0	32.9	0.67	16.8	49.7	33.4	0.67	16.2	53.4	35.9	0.67	14.7
	22	54.2	32.4	0.60	14.3	52.5	31.5	0.60	15.6	50.9	30.7	0.60	17.1	51.5	31.1	0.60	16.5	55.2	33.3	0.60	14.9
36	23	55.7	29.7	0.53	14.8	54.2	28.9	0.53	15.8	52.6	28.0	0.53	17.4	53.2	28.3	0.53	16.7	57.0	30.4	0.53	15.1
	24	58.0	27.1	0.47	15.0	56.2	26.2	0.47	16.3	54.5	25.3	0.46	17.6	55.0	25.5	0.46	17.3	58.8	27.2	0.46	15.6
	20	50.4	41.4	0.82	13.8	48.8	40.4	0.83	15.1	47.3	39.4	0.83	16.5	48.0	40.2	0.84	16.0	51.6	43.5	0.84	14.5
38	21	52.4	39.5	0.75	14.1	50.7	38.3	0.76	15.3	49.0	37.1	0.76	16.8	49.7	37.9	0.76	16.2	53.4	41.0	0.77	14.7
	22	54.2	37.0	0.68	14.3	52.5	35.9	0.68	15.6	50.9	34.8	0.68	17.1	51.5	35.4	0.69	16.5	55.2	38.2	0.69	14.9
	23	55.7	34.4	0.62	14.8	54.2	33.5	0.62	15.8	52.6	32.5	0.62	17.4	53.2	33.0	0.62	16.7	57.0	35.5	0.62	15.1
40	24	58.0	32.1	0.55	15.0	56.2	31.1	0.55	16.3	54.5	30.2	0.55	17.6	55.0	30.4	0.55	17.3	58.8	32.5	0.55	15.6

Note1. * Q :COOLING CAPACITY SHC:SENSIBLE HEAT CAPACITY T/I:TOTAL INPUT

Factor for Various Air Flow

PE-15MYC-EU	AIR VOLUME		CMM	120	140	160
	L/S					
COOLING	CAPACITY		2,000	2,334	2,660	
	TOTAL INPUT		0.976	1.0	1.025	
	SHC		0.991	1.0	1.009	1.044

Cooling Capacity (Standard Air Flow)

PEH-15MYA-EU

INDOOR DB °C	INDOOR WB °C	OUTDOOR DB°C																							
		20.0			25.0			30.0			35.0			40.0			46.0								
		Q kW	SHCKW	SHF	T/I kW	Q kW	SHCKW	SHF	T/I kW	Q kW	SHCKW	SHF	T/I kW	Q kW	SHCKW	SHF	T/I kW	Q kW	SHCKW	SHF	T/I kW				
20	15	42.6	29.8	0.70	13.2	41.2	29.3	0.71	13.9	39.8	28.7	0.72	14.8	38.4	28.0	0.73	15.8	36.6	27.1	0.74	16.9	35.2	26.4	0.75	18.4
	16	44.0	27.4	0.62	13.5	42.6	26.9	0.63	14.1	41.2	26.1	0.63	15.0	39.8	25.3	0.63	16.1	38.2	24.7	0.65	17.1	36.6	24.1	0.66	18.7
	17	45.4	24.8	0.55	13.7	44.0	24.2	0.55	14.3	42.6	23.2	0.55	15.2	41.2	22.3	0.54	16.3	39.6	22.0	0.55	17.6	37.8	21.5	0.57	18.9
22	15	42.6	35.0	0.82	13.2	41.2	34.2	0.83	13.9	39.8	33.8	0.85	14.8	38.4	33.4	0.87	15.8	36.6	32.2	0.88	16.9	35.2	31.3	0.89	18.4
	16	44.0	32.3	0.73	13.5	42.6	31.8	0.75	14.1	41.2	31.2	0.76	15.0	39.8	30.6	0.77	16.1	38.2	29.9	0.78	17.1	36.6	29.1	0.79	18.9
	17	45.4	29.3	0.65	13.7	44.0	29.1	0.66	14.3	42.6	28.4	0.67	15.2	41.2	27.6	0.67	16.3	39.6	27.1	0.68	17.6	37.8	26.4	0.70	18.9
24	18	47.0	27.2	0.58	13.9	45.6	26.7	0.59	14.5	44.2	26.1	0.59	15.6	42.6	25.4	0.60	16.5	41.2	25.0	0.61	17.8	39.0	24.2	0.62	19.1
	19	48.8	25.0	0.51	14.1	47.2	24.1	0.51	15.0	45.8	23.6	0.52	15.8	44.0	22.9	0.52	16.9	42.6	22.6	0.53	18.0	40.4	21.8	0.54	19.3
	16	44.0	37.9	0.86	13.5	42.6	37.1	0.87	14.1	41.2	36.5	0.89	15.0	39.8	35.8	0.90	16.1	38.2	35.1	0.92	17.1	36.6	34.4	0.94	18.7
26	17	45.4	35.4	0.78	13.7	44.0	34.6	0.79	14.3	42.6	34.0	0.80	15.2	41.2	33.4	0.81	16.3	39.6	32.8	0.83	17.6	37.8	31.9	0.84	18.9
	18	47.0	32.7	0.70	13.9	45.6	32.0	0.70	14.5	44.2	31.4	0.71	15.6	42.6	30.7	0.72	16.5	41.2	30.3	0.74	17.8	39.0	29.2	0.75	19.1
	19	48.8	30.2	0.62	14.1	47.2	29.3	0.62	15.0	45.8	28.8	0.63	15.8	44.0	28.0	0.64	16.9	42.6	27.6	0.65	18.0	40.4	26.7	0.66	19.3
28	20	50.4	27.3	0.54	14.5	48.8	26.4	0.54	15.2	47.4	25.9	0.55	16.1	45.6	25.1	0.55	17.1	44.0	24.7	0.56	18.4	41.8	23.8	0.57	19.7
	21	52.2	29.7	0.57	14.8	50.6	29.2	0.58	15.4	49.0	28.6	0.58	16.3	47.4	28.0	0.59	17.4	45.6	27.4	0.60	18.7	43.4	26.5	0.61	20.0
	22	54.0	26.9	0.50	15.0	52.4	26.3	0.50	15.6	50.8	25.8	0.51	16.5	48.8	25.0	0.51	17.6	47.2	24.4	0.52	18.9	44.8	23.3	0.52	20.2
30	23	55.8	23.7	0.43	15.2	54.2	23.2	0.43	16.1	52.6	22.6	0.43	16.9	50.6	21.9	0.43	18.0	48.6	21.0	0.43	19.1	46.2	19.9	0.43	20.6
	19	48.8	40.1	0.82	14.1	47.2	39.2	0.83	15.0	45.8	38.5	0.84	15.8	44.0	37.4	0.85	16.9	42.6	37.5	0.88	18.0	40.4	36.8	0.91	19.3
	20	50.4	37.8	0.75	14.5	48.8	36.9	0.76	15.2	47.4	36.3	0.77	16.1	45.6	35.4	0.78	17.1	44.0	35.4	0.80	18.4	41.8	34.7	0.83	19.7
28	21	52.2	35.4	0.68	14.8	50.6	34.5	0.68	15.4	49.0	33.9	0.69	16.3	47.4	33.3	0.70	17.4	45.6	33.1	0.73	18.7	43.4	32.6	0.75	20.0
	22	54.0	32.8	0.61	15.0	52.4	32.1	0.61	15.6	50.8	31.5	0.62	16.5	48.8	30.6	0.63	17.6	47.2	30.4	0.64	18.9	44.8	29.6	0.66	20.2
	23	55.8	30.0	0.54	15.2	54.2	29.4	0.54	16.1	52.6	28.8	0.55	16.9	50.6	27.9	0.55	18.0	48.6	27.3	0.56	19.1	46.2	26.4	0.57	20.6
30	24	57.6	27.0	0.47	15.6	56.0	26.5	0.47	16.3	54.2	25.8	0.48	17.1	52.0	24.8	0.48	18.2	50.4	24.2	0.48	19.3	47.8	23.0	0.48	20.8
	20	50.4	43.2	0.86	14.5	48.8	42.5	0.87	15.2	47.4	42.0	0.89	16.1	45.6	41.1	0.90	17.1	44.0	40.3	0.92	18.4	41.8	38.9	0.93	19.7
	21	52.2	40.6	0.78	14.8	50.6	39.8	0.79	15.4	49.0	39.3	0.80	16.3	47.4	38.7	0.82	17.4	45.6	38.0	0.83	18.7	43.4	36.9	0.85	20.0
28	22	54.0	37.7	0.70	15.0	52.4	36.8	0.70	15.6	50.8	36.4	0.72	16.5	48.8	35.7	0.73	17.6	47.2	35.5	0.75	18.9	44.8	34.5	0.77	20.2
	23	55.8	35.2	0.63	15.2	54.2	34.6	0.64	16.1	52.6	34.4	0.65	16.9	50.6	34.0	0.67	18.0	48.6	33.6	0.69	19.1	46.2	32.9	0.71	20.6
	24	57.6	32.4	0.56	15.6	56.0	32.1	0.57	16.3	54.2	32.1	0.59	17.1	52.0	31.8	0.61	18.2	50.4	31.9	0.63	19.3	47.8	31.1	0.65	20.8

Note1. * Q :COOLING CAPACITY SHC:SENSIBLE HEAT CAPACITY T/I:TOTAL INPUT

Factor for Various Air Flow

PEH-15MYA-EU	AIR VOLUME	CMM		
		120	140	160
	L/S	2,000	2,334	2,660
COOLING	CAPACITY	0.976	1.0	1.025
	TOTAL INPUT	0.991	1.0	1.009
	SHC	0.963	1.0	1.044

Cooling Capacity (Standard Air Flow) (Use for low ambient cooling parts)

PEH-15MYA-EU

INDOOR	OUTDOOR DB°C																				
	-5.0				0.0				5.0				10.0				15.0				
	DB°C	WBC	Q kW	SHCkW	SHF	T/I kW	Q kW	SHCkW	SHF	T/I kW	Q kW	SHCkW	SHF	T/I kW	Q kW	SHCkW	SHF	T/I kW	Q kW	SHCkW	SHF
15	41.8	28.9	0.69	12.2	40.7	27.9	0.69	13.2	39.4	26.8	0.68	14.3	40.1	27.5	0.69	13.9	43.2	29.8	0.69	12.6	
20	43.7	26.7	0.61	12.4	42.6	25.9	0.61	13.5	41.0	24.9	0.61	14.6	41.8	25.5	0.61	14.1	45.0	27.7	0.62	12.8	
17	45.2	24.0	0.53	12.6	44.2	23.5	0.53	13.7	42.7	22.7	0.53	14.8	43.4	23.3	0.54	14.3	46.6	25.2	0.54	13.0	
15	41.8	33.5	0.80	12.2	40.7	32.6	0.80	13.2	39.4	31.6	0.80	14.3	40.1	32.3	0.81	13.9	43.2	35.0	0.81	12.6	
16	43.7	31.5	0.72	12.4	42.6	30.8	0.72	13.5	41.0	29.8	0.73	14.6	41.8	30.2	0.72	14.1	45.0	32.5	0.72	12.8	
17	45.2	29.0	0.64	12.6	44.2	28.6	0.65	13.7	42.7	27.8	0.65	14.8	43.4	27.9	0.64	14.3	46.6	29.4	0.63	13.0	
18	46.9	27.1	0.58	12.8	45.7	26.5	0.58	13.7	44.3	25.8	0.58	15.1	44.9	25.9	0.58	14.6	48.0	27.4	0.57	13.2	
19	48.6	24.9	0.51	13.1	47.2	24.2	0.51	14.2	45.7	23.4	0.51	15.4	46.2	23.6	0.51	15.1	49.6	25.4	0.51	13.9	
16	43.7	37.2	0.85	12.4	42.6	36.0	0.85	13.5	41.0	34.5	0.84	14.6	41.8	35.3	0.85	14.1	45.0	38.3	0.85	120.8	
17	45.2	34.4	0.76	12.6	44.2	33.7	0.76	13.7	42.7	32.5	0.76	14.8	43.4	33.3	0.77	14.3	46.6	35.9	0.77	13.0	
18	46.9	31.5	0.67	12.8	45.7	30.9	0.68	13.7	44.3	30.2	0.68	15.1	44.9	30.8	0.69	14.6	48.0	33.2	0.69	13.2	
19	48.6	29.3	0.60	13.1	47.2	28.4	0.60	14.2	45.7	27.5	0.60	15.4	46.2	28.2	0.61	15.1	49.6	30.6	0.62	13.9	
20	50.4	26.8	0.53	13.3	48.8	25.8	0.53	14.5	47.3	24.7	0.52	15.9	48.0	25.6	0.53	15.3	51.6	28.0	0.54	13.9	
21	52.4	24.3	0.46	13.5	50.7	22.9	0.45	14.7	49.0	21.7	0.44	16.1	49.7	22.6	0.46	15.6	53.4	25.0	0.47	14.1	
18	46.9	36.7	0.78	12.8	45.7	35.0	0.77	13.7	44.3	33.3	0.75	15.1	44.9	34.7	0.77	14.6	48.0	38.0	0.79	13.2	
19	48.6	34.4	0.71	13.1	47.2	33.0	0.70	14.2	45.7	31.6	0.69	15.4	46.2	32.4	0.70	15.1	49.6	35.3	0.71	13.9	
20	50.4	31.8	0.63	13.3	48.8	30.9	0.63	14.5	47.3	29.9	0.63	15.9	48.0	30.4	0.63	15.3	51.6	32.6	0.63	13.9	
21	52.4	29.8	0.57	13.5	50.7	28.7	0.57	14.7	49.0	27.5	0.56	16.1	49.7	27.9	0.56	15.6	53.4	30.0	0.56	14.1	
22	54.2	27.2	0.50	13.7	52.5	26.2	0.50	14.9	50.9	25.1	0.49	16.4	51.5	25.4	0.49	15.8	55.2	27.2	0.49	14.3	
23	55.7	24.4	0.44	14.2	54.2	23.3	0.43	15.2	52.6	22.2	0.42	16.7	53.2	22.5	0.42	16.1	57.0	24.1	0.42	14.5	
19	48.6	39.0	0.80	13.1	47.2	37.8	0.80	14.2	45.7	36.7	0.80	15.4	46.2	37.3	0.81	15.1	49.6	40.3	0.81	13.9	
20	50.4	36.9	0.73	13.3	48.8	35.9	0.73	14.5	47.3	34.9	0.74	15.9	48.0	35.5	0.74	15.3	51.6	38.3	0.74	13.9	
21	52.4	34.8	0.66	13.5	50.7	33.8	0.67	14.7	49.0	32.9	0.67	16.1	49.7	33.4	0.67	15.6	53.4	35.9	0.67	14.1	
22	54.2	32.4	0.60	13.7	52.5	31.5	0.60	14.9	50.9	30.7	0.60	16.4	51.5	31.1	0.60	15.8	55.2	33.3	0.60	14.3	
23	55.7	29.7	0.53	14.2	54.2	28.9	0.53	15.2	52.6	28.0	0.53	16.7	53.2	28.3	0.53	16.1	57.0	30.4	0.53	14.5	
24	58.0	27.1	0.47	14.4	56.2	26.2	0.47	15.7	54.5	25.3	0.46	16.9	55.0	25.5	0.46	16.6	58.8	27.2	0.46	15.0	
20	50.4	41.4	0.82	13.3	48.8	40.4	0.83	14.5	47.3	39.4	0.83	15.9	48.0	40.2	0.84	15.3	51.6	43.5	0.84	13.9	
21	52.4	39.5	0.75	13.5	50.7	38.3	0.76	14.7	49.0	37.1	0.76	16.1	49.7	37.9	0.76	15.6	53.4	41.0	0.77	14.1	
22	54.2	37.0	0.68	13.7	52.5	35.9	0.68	14.9	50.9	34.8	0.68	16.4	51.5	35.4	0.69	15.8	55.2	38.2	0.69	14.3	
23	55.7	34.4	0.62	14.2	54.2	33.5	0.62	15.2	52.6	32.5	0.62	16.7	53.2	33.0	0.62	16.1	57.0	35.5	0.62	14.5	
24	58.0	32.1	0.55	14.4	56.2	31.1	0.55	15.7	54.5	30.2	0.55	16.9	55.0	30.4	0.55	16.6	58.8	32.5	0.55	15.0	

Note1. * Q :COOLING CAPACITY SHC:SENSIBLE HEAT CAPACITY T/I:TOTAL INPUT

Factor for Various Air Flow

PEH-15MYA-EU	AIR VOLUME	CMM	120	140	160
		L/S	2,000	2,334	2,660
COOLING	CAPACITY				
		TOTAL INPUT	0.976	1.0	1.025
	SHC	0.991	1.0	1.009	1.044

Heating Capacity (Standard Air Flow) PEH-15MYA-EU

INDOOR	OUTDOOR WB °C					
	-10.0		-5.0		0.0	
	DB °C	Q kW	T/I kW	Q kW	T/I kW	Q kW
15	29.5	10.7	33.5	11.6	38.3	12.5
16	29.3	10.7	33.5	11.6	38.1	12.5
17	29.1	10.9	33.3	11.6	38.1	12.7
18	28.9	10.9	33.1	11.8	37.9	12.7
19	28.5	11.2	32.9	11.8	37.7	12.7
20	28.5	11.2	32.9	11.8	37.7	12.9
21	28.5	11.2	32.7	12.0	37.5	12.9
22	28.3	11.2	32.7	12.0	37.5	13.2
23	28.1	11.2	32.5	12.0	37.3	13.2
24	28.1	11.2	32.3	12.3	37.1	13.4
25	28.1	11.2	32.5	12.3	37.3	13.4
26	27.7	11.2	32.1	12.3	36.7	13.4
27	27.7	11.4	31.9	12.3	36.5	13.6

INDOOR	OUTDOOR WB °C					
	5.0		10.0		15.0	
	DB °C	Q kW	T/I kW	Q kW	T/I kW	Q kW
15	43.5	13.6	49.3	14.7	55.7	16.1
16	43.5	13.6	49.3	15.6	55.5	16.3
17	43.3	13.8	49.1	15.2	55.3	16.5
18	43.3	13.8	48.9	15.2	55.3	16.7
19	42.9	14.0	48.7	15.4	54.9	16.9
20	42.9	14.0	48.7	15.4	54.9	17.2
21	42.9	14.3	48.5	15.6	54.7	17.4
22	42.7	14.3	48.5	15.8	54.7	17.4
23	42.5	14.5	48.3	16.1	54.5	17.6
24	42.5	14.7	48.1	16.1	54.3	17.8
25	42.5	14.7	48.1	16.3	54.3	18.1
26	42.1	14.9	47.7	16.5	53.9	18.1
27	41.7	14.9	47.5	16.5	53.7	18.3

* Q : HEATING CAPACITY T/I : TOTAL INPUT

Factor for Various Air Flow

PEH-15MYA-EU	AIR VOLUME	CMM	120	140	160
		L/S	2,000	2,334	2,660
HEATING	CAPACITY				
		TOTAL INPUT	0.989	1.0	1.011
	SHC	1.015	1.0	0.989	

Cooling Capacity (Standard Air Flow)

PE-20MYC-EU

INDOOR DB °C	INDOOR WB °C	OUTDOOR DB°C																							
		20.0				25.0				30.0				35.0				40.0				46.0			
		Q kW	SHCKW	SHF	T/I kW	Q kW	SHCKW	SHF	T/I kW	Q kW	SHCKW	SHF	T/I kW	Q kW	SHCKW	SHF	T/I kW	Q kW	SHCKW	SHF	T/I kW	Q kW	SHCKW	SHF	T/I kW
20	15	55.6	39.2	0.71	17.7	54.0	38.4	0.71	18.5	52.2	37.4	0.72	19.8	50.2	36.2	0.72	21.1	47.8	35.3	0.74	22.9	45.0	33.9	0.75	24.6
	16	57.8	36.4	0.63	17.9	56.2	35.7	0.64	18.7	54.2	34.6	0.64	20.1	52.0	33.4	0.64	21.4	49.4	32.2	0.65	23.1	46.6	30.9	0.66	24.9
	17	60.0	33.3	0.56	18.1	58.2	32.6	0.56	19.0	56.2	31.5	0.56	20.1	53.8	30.2	0.56	21.6	51.2	29.0	0.57	23.3	48.2	27.6	0.57	25.1
22	15	55.6	45.1	0.81	17.7	54.0	44.3	0.82	18.5	52.2	43.7	0.84	19.8	50.2	42.8	0.85	21.1	47.8	41.7	0.87	22.9	45.0	40.2	0.89	24.6
	16	57.8	42.5	0.74	17.9	56.2	41.9	0.75	18.7	54.2	41.0	0.76	20.1	52.0	39.9	0.77	21.4	49.4	38.8	0.78	23.1	46.6	37.4	0.80	24.9
	17	60.0	39.6	0.66	18.1	58.2	39.0	0.67	19.0	56.2	38.0	0.68	20.1	53.8	36.6	0.68	21.6	51.2	35.7	0.70	23.3	48.2	34.3	0.71	25.1
24	18	62.2	36.5	0.59	18.1	60.4	35.9	0.59	19.2	58.2	34.9	0.60	20.3	55.8	33.8	0.61	21.8	53.0	32.7	0.62	23.5	49.8	31.2	0.63	25.3
	19	64.2	33.0	0.51	18.3	62.4	32.4	0.52	19.4	60.2	31.6	0.52	20.5	57.6	30.6	0.53	22.0	54.6	29.3	0.54	23.8	51.4	27.8	0.54	25.5
	16	57.8	49.2	0.85	17.9	56.2	48.4	0.86	18.7	54.2	47.5	0.88	20.1	52.0	46.4	0.89	21.4	49.4	45.3	0.92	23.1	46.6	43.9	0.94	24.9
26	17	60.0	46.1	0.77	18.1	58.2	45.1	0.78	19.0	56.2	44.3	0.79	20.1	53.8	43.1	0.80	21.6	51.2	42.2	0.82	23.3	48.2	40.8	0.85	25.1
	18	62.2	42.6	0.68	18.1	60.4	41.7	0.69	19.2	58.2	40.8	0.70	20.3	55.8	39.7	0.71	21.8	53.0	38.8	0.73	23.5	49.8	37.5	0.75	25.3
	19	64.2	39.3	0.61	18.3	62.4	38.4	0.61	19.4	60.2	37.5	0.62	20.5	57.6	36.3	0.63	22.0	54.6	35.3	0.65	23.8	51.4	34.0	0.66	25.5
28	20	69.2	37.3	0.54	18.5	67.2	36.2	0.54	19.6	64.8	35.3	0.54	20.7	62.0	34.1	0.55	22.2	58.8	32.9	0.56	24.0	55.2	31.5	0.57	25.7
	21	69.2	32.3	0.47	18.7	67.2	31.2	0.46	19.8	64.8	30.2	0.47	20.9	62.0	29.1	0.47	22.5	58.8	27.9	0.48	24.2	55.2	26.5	0.48	26.2
	18	62.2	48.5	0.78	18.1	60.4	47.7	0.79	19.2	58.2	46.9	0.81	20.3	55.8	45.8	0.82	21.8	53.0	44.9	0.85	23.5	49.8	43.4	0.87	25.3
30	19	64.2	45.2	0.70	18.3	62.4	44.6	0.71	19.4	60.2	43.6	0.72	20.5	57.6	42.4	0.74	22.0	54.6	41.4	0.76	23.8	51.4	40.2	0.78	25.5
	20	69.2	43.5	0.63	18.5	67.2	42.9	0.64	19.6	64.8	41.7	0.64	20.7	62.0	40.3	0.65	22.2	58.8	39.4	0.67	24.0	55.2	38.1	0.69	25.7
	21	69.2	39.2	0.57	18.7	67.2	38.6	0.57	19.8	64.8	37.5	0.58	20.9	62.0	36.3	0.58	22.5	58.8	35.3	0.60	24.2	55.2	34.0	0.62	26.2
30	22	71.6	36.0	0.50	19.0	69.4	35.3	0.51	20.1	67.0	34.4	0.51	21.4	64.0	33.2	0.52	22.7	60.8	32.2	0.53	24.4	57.2	30.9	0.54	26.4
	23	73.8	32.5	0.44	19.2	71.8	31.8	0.44	20.3	69.2	31.0	0.45	21.6	66.2	30.1	0.45	23.1	62.8	28.9	0.46	24.9	59.0	27.4	0.47	26.8
	19	64.2	52.0	0.81	18.3	62.4	51.1	0.82	19.4	60.2	50.6	0.84	20.5	57.6	49.6	0.86	22.0	54.6	48.4	0.89	23.8	51.4	46.9	0.91	25.5
28	20	69.2	50.8	0.73	18.5	67.2	50.0	0.74	19.6	64.8	49.4	0.76	20.7	62.0	48.3	0.78	22.2	58.8	47.2	0.80	24.0	55.2	45.6	0.83	25.7
	21	69.2	45.6	0.66	18.7	67.2	45.0	0.67	19.8	64.8	44.3	0.68	20.9	62.0	43.4	0.70	22.5	58.8	42.3	0.72	24.2	55.2	40.9	0.74	26.2
	22	71.6	42.7	0.60	19.0	69.4	41.9	0.60	20.1	67.0	41.3	0.62	21.4	64.0	40.3	0.63	22.7	60.8	39.2	0.64	24.4	57.2	37.8	0.66	26.4
30	23	73.8	39.3	0.53	19.2	71.8	38.7	0.54	20.3	69.2	38.0	0.55	21.6	66.2	37.0	0.56	23.1	62.8	35.8	0.57	24.9	59.0	34.2	0.58	26.8
	24	76.0	35.8	0.47	19.4	73.8	34.9	0.47	20.5	71.4	34.3	0.48	21.8	68.4	33.4	0.49	23.3	65.0	32.1	0.49	25.1	61.0	30.5	0.50	27.0
	20	69.2	56.0	0.81	18.5	67.2	55.0	0.82	19.6	64.8	54.1	0.83	20.7	62.0	52.7	0.85	22.2	58.8	52.1	0.89	24.0	55.2	50.8	0.92	25.7
30	21	69.2	51.6	0.75	18.7	67.2	50.7	0.75	19.8	64.8	49.8	0.77	20.9	62.0	48.7	0.78	22.5	58.8	47.8	0.81	24.2	55.2	46.4	0.84	26.2
	22	71.6	48.9	0.68	19.0	69.4	47.8	0.69	20.1	67.0	47.2	0.70	21.4	64.0	46.0	0.72	22.7	60.8	45.0	0.74	24.4	57.2	43.5	0.76	26.4
	23	73.8	46.0	0.62	19.2	71.8	45.1	0.63	20.3	69.2	44.4	0.64	21.6	66.2	43.3	0.65	23.1	62.8	42.0	0.67	24.9	59.0	40.4	0.69	26.8
24	76.0	42.8	0.56	19.4	73.8	41.9	0.57	20.5	71.4	41.3	0.58	21.8	68.4	40.3	0.59	23.3	65.0	39.0	0.60	25.1	61.0	37.2	0.61	27.0	

Note1. * Q :COOLING CAPACITY SHC:SENSIBLE HEAT CAPACITY T/I:TOTAL INPUT

Factor for Various Air Flow

PE-20MYC-EU	AIR VOLUME	CMM		
		160	180	200
		2.660	3.000	3.320
COOLING	CAPACITY	0.976	1.0	1.025
	TOTAL INPUT	0.991	1.0	1.009
	SHC	0.963	1.0	1.044

Cooling Capacity (Standard Air Flow)

(Use for low ambient cooling parts)

PE-20MYC-EU

INDOOR		OUTDOOR DB°C																			
DB°C	WB°C	-5.0				0.0				5.0				10.0				15.0			
		Q kW	SHCKW	SHF	T/I kW	Q kW	SHCKW	SHF	T/I kW	Q kW	SHCKW	SHF	T/I kW	Q kW	SHCKW	SHF	T/I kW	Q kW	SHCKW	SHF	T/I kW
20	15	56.4	38.9	0.69	16.5	54.8	37.8	0.69	17.9	52.9	36.5	0.69	19.4	53.4	37.1	0.70	18.6	57.0	39.9	0.70	17.0
	16	58.5	36.0	0.61	16.7	56.8	34.9	0.61	18.1	54.9	33.8	0.61	19.6	55.4	34.3	0.62	18.9	59.2	37.0	0.63	17.2
	17	60.6	32.7	0.54	16.9	58.8	31.7	0.54	18.4	56.9	30.7	0.54	19.9	57.4	31.3	0.54	19.1	61.4	33.8	0.55	17.2
22	15	56.4	44.6	0.79	16.5	54.8	43.3	0.79	17.9	52.9	41.8	0.79	19.4	53.4	42.4	0.80	18.6	57.0	45.6	0.80	17.0
	16	58.5	41.8	0.71	16.7	56.8	40.7	0.72	18.1	54.9	39.5	0.72	19.6	55.4	40.0	0.72	18.9	59.2	42.9	0.73	17.2
	17	60.6	38.8	0.64	16.9	58.8	37.9	0.64	18.4	56.9	36.9	0.65	19.9	57.4	37.3	0.65	19.1	61.4	39.9	0.65	17.2
24	18	62.5	35.9	0.57	17.1	60.9	35.1	0.58	18.6	58.9	34.1	0.58	20.1	59.4	34.4	0.58	19.4	63.6	36.9	0.58	17.4
	19	65.2	33.2	0.51	17.1	63.3	32.2	0.51	18.6	61.0	31.1	0.51	20.4	61.6	31.4	0.51	19.6	65.8	33.5	0.51	17.7
	16	58.5	48.0	0.82	16.7	56.8	46.8	0.82	18.1	54.9	45.6	0.83	19.6	55.4	46.2	0.83	18.9	59.2	49.7	0.84	17.2
26	17	60.6	45.1	0.74	16.9	58.8	43.9	0.75	18.4	56.9	42.6	0.75	19.9	57.4	43.3	0.75	19.1	61.4	46.7	0.76	17.2
	18	62.5	41.8	0.67	17.1	60.9	40.7	0.67	18.6	58.9	39.4	0.67	20.1	59.4	40.1	0.67	19.4	63.6	43.2	0.68	17.4
	19	65.2	39.0	0.60	17.1	63.3	37.9	0.60	18.6	61.0	36.5	0.60	20.4	61.6	37.2	0.60	19.6	65.8	40.1	0.61	17.7
28	20	69.7	36.8	0.53	17.3	67.7	35.8	0.53	18.9	65.5	34.6	0.53	20.4	66.2	35.3	0.53	19.9	70.8	38.1	0.54	17.9
	21	69.7	31.9	0.46	17.6	67.7	31.0	0.46	19.1	65.5	30.0	0.46	20.7	66.2	30.7	0.46	19.9	70.8	33.2	0.47	18.1
	18	62.5	47.5	0.76	17.1	60.9	46.2	0.76	18.6	58.9	44.7	0.76	20.1	59.4	45.4	0.76	19.4	63.6	48.9	0.77	17.4
30	19	65.2	44.9	0.69	17.1	63.3	43.6	0.69	18.6	61.0	42.0	0.69	20.4	61.6	42.6	0.69	19.6	65.8	45.7	0.69	17.7
	20	69.7	43.1	0.62	17.3	67.7	41.9	0.62	18.9	65.5	40.5	0.62	20.4	66.2	41.0	0.62	19.9	70.8	43.8	0.62	17.9
	21	69.7	38.9	0.56	17.6	67.7	37.8	0.56	19.1	65.5	36.6	0.56	20.7	66.2	37.0	0.56	19.9	70.8	39.5	0.56	18.1
32	22	72.0	35.9	0.50	17.8	70.1	34.9	0.50	19.4	67.7	33.7	0.50	20.9	68.4	34.1	0.50	20.1	73.2	36.5	0.50	18.3
	23	73.9	32.4	0.44	17.8	72.0	31.5	0.44	19.6	69.8	30.6	0.44	21.2	70.7	30.9	0.44	20.4	75.4	33.0	0.44	18.5
	19	65.2	51.4	0.79	17.1	63.3	49.9	0.79	18.6	61.0	48.1	0.79	20.4	61.6	48.9	0.79	19.6	65.8	52.6	0.80	17.7
34	20	69.7	49.7	0.71	17.3	67.7	48.5	0.72	18.9	65.5	47.1	0.72	20.4	66.2	47.7	0.72	19.9	70.8	51.2	0.72	17.9
	21	69.7	44.5	0.64	17.6	67.7	43.6	0.64	19.1	65.5	42.5	0.65	20.7	66.2	42.9	0.65	19.9	70.8	45.9	0.65	18.1
	22	72.0	42.0	0.58	17.8	70.1	41.0	0.59	19.4	67.7	39.8	0.59	20.9	68.4	40.3	0.59	20.1	73.2	43.1	0.59	18.3
36	23	73.9	39.0	0.53	17.8	72.0	38.0	0.53	19.6	69.8	36.9	0.53	21.2	70.7	37.3	0.53	20.4	75.4	39.8	0.53	18.5
	24	75.6	35.7	0.47	18.0	73.8	34.7	0.47	19.6	71.5	33.4	0.47	21.5	72.5	33.9	0.47	20.6	77.6	36.3	0.47	18.5
	20	69.7	55.0	0.79	17.3	67.7	53.4	0.79	18.9	65.5	51.6	0.79	20.4	66.2	52.6	0.79	19.9	70.8	56.5	0.80	17.9
38	21	69.7	50.8	0.73	17.6	67.7	49.3	0.73	19.1	65.5	47.7	0.73	20.7	66.2	48.6	0.73	19.9	70.8	52.3	0.74	18.1
	22	72.0	48.1	0.67	17.8	70.1	46.8	0.67	19.4	67.7	45.2	0.67	20.9	68.4	46.1	0.67	20.1	73.2	49.6	0.68	18.3
	23	73.9	44.9	0.61	17.8	72.0	43.7	0.61	19.6	69.8	42.4	0.61	21.2	70.7	43.3	0.61	20.4	75.4	46.6	0.62	18.5
40	24	75.6	41.4	0.55	18.0	73.8	40.4	0.55	19.6	71.5	39.1	0.55	21.5	72.5	40.1	0.55	20.6	77.6	43.3	0.56	18.5

Note1. * Q :COOLING CAPACITY SHC:SENSIBLE HEAT CAPACITY T/I:TOTAL INPUT

Factor for Various Air Flow

PE-20MYC-EU	AIR VOLUME		CMM	160	180	200
	L/S					
	2,660			3,000	3,320	
COOLING	CAPACITY			0.976	1.0	1.025
	TOTAL INPUT			0.991	1.0	1.009
	SHC			0.963	1.0	1.044

Cooling Capacity (Standard Air Flow) PEH-20MYA-EU

INDOOR DB °C	INDOOR WB °C	OUTDOOR DB °C																							
		20.0				25.0				30.0				35.0				40.0				46.0			
		Q kW	SHCKW	SHF	T/I kW	Q kW	SHCKW	SHF	T/I kW	Q kW	SHCKW	SHF	T/I kW	Q kW	SHCKW	SHF	T/I kW	Q kW	SHCKW	SHF	T/I kW	Q kW	SHCKW	SHF	T/I kW
20	15	55.6	39.2	0.71	17.5	54.0	38.4	0.71	18.4	52.2	37.4	0.72	19.7	50.2	36.2	0.72	21.0	47.8	35.3	0.74	22.7	45.0	33.9	0.75	24.4
	16	57.8	36.4	0.63	17.7	56.2	35.7	0.64	18.6	54.2	34.6	0.64	19.9	52.0	33.4	0.64	21.2	49.4	32.2	0.65	22.9	46.6	30.9	0.66	24.6
	17	60.0	33.3	0.56	17.9	58.2	32.6	0.56	18.8	56.2	31.5	0.56	19.9	53.8	30.2	0.56	21.4	51.2	29.0	0.57	23.1	48.2	27.6	0.57	24.8
22	15	55.6	45.1	0.81	17.5	54.0	44.3	0.82	18.4	52.2	43.7	0.84	19.7	50.2	42.8	0.85	21.0	47.8	41.7	0.87	22.7	45.0	40.2	0.89	24.4
	16	57.8	42.5	0.74	17.7	56.2	41.9	0.75	18.6	54.2	41.0	0.76	19.9	52.0	39.9	0.77	21.2	49.4	38.8	0.78	22.9	46.6	37.4	0.80	24.6
	17	60.0	39.6	0.66	17.9	58.2	39.0	0.67	18.8	56.2	38.0	0.68	19.9	53.8	36.6	0.68	21.4	51.2	35.7	0.70	23.1	48.2	34.3	0.71	24.8
24	18	62.2	36.5	0.59	17.9	60.4	35.9	0.59	19.0	58.2	34.9	0.60	20.1	55.8	33.8	0.61	21.6	53.0	32.7	0.62	23.3	49.8	31.2	0.63	25.1
	19	64.2	33.0	0.51	18.1	62.4	32.4	0.52	19.2	60.2	31.6	0.52	20.3	57.6	30.6	0.53	21.8	54.6	29.3	0.54	23.5	51.4	27.8	0.54	25.3
	16	57.8	49.2	0.85	17.7	56.2	48.4	0.86	18.6	54.2	47.5	0.88	19.9	52.0	46.4	0.89	21.2	49.4	45.3	0.92	22.9	46.6	43.9	0.94	24.6
26	17	60.0	46.1	0.77	17.9	58.2	45.1	0.78	18.8	56.2	44.3	0.79	19.9	53.8	43.1	0.80	21.4	51.2	42.2	0.82	23.1	48.2	40.8	0.85	24.8
	18	62.2	42.6	0.68	17.9	60.4	41.7	0.69	19.0	58.2	40.8	0.70	20.1	55.8	39.7	0.71	21.6	53.0	38.8	0.73	23.3	49.8	37.5	0.75	25.1
	19	64.2	39.3	0.61	18.1	62.4	38.4	0.61	19.2	60.2	37.5	0.62	20.3	57.6	36.3	0.63	21.8	54.6	35.3	0.65	23.5	51.4	34.0	0.66	25.3
28	20	69.2	37.3	0.54	18.4	67.2	36.2	0.54	19.4	64.8	35.3	0.54	20.5	62.0	34.1	0.55	22.0	58.8	32.9	0.56	23.8	55.2	31.5	0.57	25.5
	21	69.2	32.3	0.47	18.6	67.2	31.2	0.46	19.7	64.8	30.2	0.47	20.7	62.0	29.1	0.47	22.2	58.8	27.9	0.48	24.0	55.2	26.5	0.48	25.9
	18	62.2	48.5	0.78	17.9	60.4	47.7	0.79	19.0	58.2	46.9	0.81	20.1	55.8	45.8	0.82	21.6	53.0	44.9	0.85	23.3	49.8	43.4	0.87	25.1
30	19	64.2	45.2	0.70	18.1	62.4	44.6	0.71	19.2	60.2	43.6	0.72	20.3	57.6	42.4	0.74	21.8	54.6	41.4	0.76	23.5	51.4	40.2	0.78	25.3
	20	69.2	43.5	0.63	18.4	67.2	42.9	0.64	19.4	64.8	41.7	0.64	20.5	62.0	40.3	0.65	22.0	58.8	39.4	0.67	23.8	55.2	38.1	0.69	25.5
	21	69.2	39.2	0.57	18.6	67.2	38.6	0.57	19.7	64.8	37.5	0.58	20.7	62.0	36.3	0.58	22.2	58.8	35.3	0.60	24.0	55.2	34.0	0.62	25.9
32	22	71.6	36.0	0.50	18.8	69.4	35.3	0.51	19.9	67.0	34.4	0.51	21.2	64.0	33.2	0.52	22.5	60.8	32.2	0.53	24.2	57.2	30.9	0.54	26.1
	23	73.8	32.5	0.44	19.0	71.8	31.8	0.44	20.1	69.2	31.0	0.45	21.4	66.2	30.1	0.45	22.9	62.8	28.9	0.46	24.6	59.0	27.4	0.47	26.6
	19	64.2	52.0	0.81	18.1	62.4	51.1	0.82	19.2	60.2	50.6	0.84	20.3	57.6	49.6	0.86	21.8	54.6	48.4	0.89	23.5	51.4	46.9	0.91	25.3
34	20	69.2	50.8	0.73	18.4	67.2	50.0	0.74	19.4	64.8	49.4	0.76	20.5	62.0	48.3	0.78	22.0	58.8	47.2	0.80	23.8	55.2	45.6	0.83	25.5
	21	69.2	45.6	0.66	18.6	67.2	45.0	0.67	19.7	64.8	44.3	0.68	20.7	62.0	43.4	0.70	22.2	58.8	42.3	0.72	24.0	55.2	40.9	0.74	25.9
	22	71.6	42.7	0.60	18.8	69.4	41.9	0.60	19.9	67.0	41.3	0.62	21.2	64.0	40.3	0.63	22.5	60.8	39.2	0.64	24.2	57.2	37.8	0.66	26.1
36	23	73.8	39.3	0.53	19.0	71.8	38.7	0.54	20.1	69.2	38.0	0.55	21.4	66.2	37.0	0.56	22.9	62.8	35.8	0.57	24.6	59.0	34.2	0.58	26.6
	24	76.0	35.8	0.47	19.2	73.8	34.9	0.47	20.3	71.4	34.3	0.48	21.6	68.4	33.4	0.49	23.1	65.0	32.1	0.49	24.8	61.0	30.5	0.50	26.8
	20	69.2	56.0	0.81	18.4	67.2	55.0	0.82	19.4	64.8	54.1	0.83	20.5	62.0	52.7	0.85	22.0	58.8	52.1	0.89	23.8	55.2	50.8	0.92	25.5
38	21	69.2	51.6	0.75	18.6	67.2	50.7	0.75	19.7	64.8	49.8	0.77	20.7	62.0	48.7	0.78	22.2	58.8	47.8	0.81	24.0	55.2	46.4	0.84	25.9
	22	71.6	48.9	0.68	18.8	69.4	47.8	0.69	19.9	67.0	47.2	0.70	21.2	64.0	46.0	0.72	22.5	60.8	45.0	0.74	24.2	57.2	43.5	0.76	26.1
	23	73.8	46.0	0.62	19.0	71.8	45.1	0.63	20.1	69.2	44.4	0.64	21.4	66.2	43.3	0.65	22.9	62.8	42.0	0.67	24.6	59.0	40.4	0.69	26.6
40	24	76.0	42.8	0.56	19.2	73.8	41.9	0.57	20.3	71.4	41.3	0.58	21.6	68.4	40.3	0.59	23.1	65.0	39.0	0.60	24.8	61.0	37.2	0.61	26.8

Note1. * Q :COOLING CAPACITY SHC:SENSIBLE HEAT CAPACITY T/I:TOTAL INPUT

Factor for Various Air Flow

PE-20MYC-EU	AIR VOLUME	CMM		
		160	180	200
	L/S	2,660	3,000	3,320
COOLING	CAPACITY	0.976	1.0	1.025
	TOTAL INPUT	0.991	1.0	1.009
	SHC	0.963	1.0	1.044

Cooling Capacity (Standard Air Flow)

(Use for low ambient cooling parts)

PEH-20MYA-EU

INDOOR		OUTDOOR DB°C																			
		-5.0				0.0				5.0				10.0				15.0			
DB°C	WBC	Q kW	SHCkW	SHF	T/I kW	Q kW	SHCkW	SHF	T/I kW	Q kW	SHCkW	SHF	T/I kW	Q kW	SHCkW	SHF	T/I kW	Q kW	SHCkW	SHF	T/I kW
20	15	56.4	38.9	0.69	16.3	54.8	37.8	0.69	17.7	52.9	36.5	0.69	19.2	53.4	37.1	0.70	18.5	57.0	39.9	0.70	16.8
	16	58.5	36.0	0.61	16.5	56.8	34.9	0.61	18.0	54.9	33.8	0.61	19.4	55.4	34.3	0.62	18.7	59.2	37.0	0.63	17.1
	17	60.6	32.7	0.54	16.7	58.8	31.7	0.54	18.2	56.9	30.7	0.54	19.7	57.4	31.3	0.54	19.0	61.4	33.8	0.55	17.1
22	15	56.4	44.6	0.79	16.3	54.8	43.3	0.79	17.7	52.9	41.8	0.79	19.2	53.4	42.4	0.80	18.5	57.0	45.6	0.80	16.8
	16	58.5	41.8	0.71	16.5	56.8	40.7	0.72	18.0	54.9	39.5	0.72	19.4	55.4	40.0	0.72	18.7	59.2	42.9	0.73	17.1
	17	60.6	38.8	0.64	16.7	58.8	37.9	0.64	18.2	56.9	36.9	0.65	19.7	57.4	37.3	0.65	19.0	61.4	39.9	0.65	17.1
24	15	65.2	35.9	0.57	17.0	60.9	35.1	0.58	18.5	58.9	34.1	0.58	20.0	59.4	34.4	0.58	19.2	63.6	36.9	0.58	17.3
	16	68.5	33.2	0.51	17.0	63.3	32.2	0.51	18.5	61.0	31.1	0.51	20.0	61.6	31.4	0.51	19.5	65.8	33.5	0.51	17.5
	17	70.6	48.0	0.82	16.5	66.8	46.8	0.82	18.0	64.9	45.6	0.83	19.4	65.4	46.2	0.83	18.7	69.2	49.7	0.84	17.1
26	15	60.6	45.1	0.74	16.7	58.8	43.9	0.75	18.2	56.9	42.6	0.75	19.7	57.4	43.3	0.75	19.0	61.4	46.7	0.76	17.1
	16	62.5	41.8	0.67	17.0	60.9	40.7	0.67	18.5	58.9	39.4	0.67	20.0	59.4	40.1	0.67	19.2	63.6	43.2	0.68	17.3
	17	65.2	39.0	0.60	17.0	63.3	37.9	0.60	18.5	61.0	36.5	0.60	20.0	61.6	37.2	0.60	19.5	65.8	40.1	0.61	17.5
28	15	69.7	36.8	0.53	17.2	67.7	35.8	0.53	18.7	65.5	34.6	0.53	20.2	66.2	35.3	0.53	19.7	70.8	38.1	0.54	17.7
	16	73.9	32.4	0.44	17.6	72.0	31.5	0.44	19.4	69.8	30.6	0.44	21.0	70.7	30.9	0.44	20.2	75.4	33.0	0.44	18.4
	17	75.6	51.4	0.79	17.0	73.3	49.9	0.79	18.5	71.0	48.1	0.79	20.2	71.6	48.9	0.79	19.5	75.8	52.6	0.80	17.5
30	15	69.7	49.7	0.71	17.2	67.7	48.5	0.72	18.7	65.5	47.1	0.72	20.2	66.2	47.7	0.72	19.7	70.8	51.2	0.72	17.7
	16	72.0	44.5	0.64	17.4	70.1	43.6	0.64	18.9	68.5	42.5	0.65	20.5	69.2	42.9	0.65	19.7	73.2	45.9	0.65	17.9
	17	74.9	39.0	0.53	17.6	72.0	38.0	0.53	19.4	70.7	36.9	0.53	21.0	71.6	37.3	0.53	20.2	75.4	39.8	0.53	18.4
32	15	75.6	35.7	0.47	17.8	73.8	34.7	0.47	19.4	71.5	33.4	0.47	21.3	72.5	33.9	0.47	20.4	77.6	36.3	0.47	18.4
	16	79.7	55.0	0.79	17.2	77.7	53.4	0.79	18.7	75.5	51.6	0.79	20.2	76.2	52.6	0.79	19.7	80.8	56.5	0.80	17.7
	17	82.5	50.8	0.73	17.4	80.7	49.3	0.73	18.9	78.5	47.7	0.73	20.5	79.2	48.6	0.73	19.7	83.2	52.3	0.74	17.9
34	15	82.0	48.1	0.67	17.6	80.1	46.8	0.67	19.2	77.7	45.2	0.67	20.7	78.4	46.1	0.67	19.9	82.6	49.6	0.68	18.1
	16	85.9	44.9	0.61	17.6	84.0	43.7	0.61	19.4	81.6	42.4	0.61	21.0	82.3	43.3	0.61	20.2	87.4	46.6	0.62	18.4
	17	88.8	41.4	0.55	17.8	86.8	40.4	0.55	19.4	84.5	39.1	0.55	21.3	85.2	40.1	0.55	20.4	90.6	43.3	0.56	18.4

Note1. * Q :COOLING CAPACITY SHC:SENSIBLE HEAT CAPACITY T/I:TOTAL INPUT

Factor for Various Air Flow

PEH-20MYC-EU	AIR VOLUME	CMM	160	180	200
		L/S	2,660	3,000	3,320
COOLING	CAPACITY		0.976	1.0	1.025
	TOTAL INPUT		0.991	1.0	1.009
	SHC		0.963	1.0	1.044

Heating Capacity (Standard Air Flow)

PEH-20MYA-EU

INDOOR		OUTDOOR WB°C					
		-10.0		-5.0		0.0	
DB°C	WBC	Q kW	T/I kW	Q kW	T/I kW	Q kW	T/I kW
20	15	36.8	12.0	42.8	13.0	49.6	14.3
	16	36.6	12.0	42.6	13.0	49.0	14.3
	17	36.4	12.0	42.6	13.0	49.2	14.5
22	15	36.4	12.2	42.4	13.2	49.0	14.5
	16	36.2	12.2	42.2	13.2	48.8	14.7
	17	36.0	12.2	42.0	13.5	48.6	14.7
24	15	35.8	12.2	41.8	13.5	48.6	14.9
	16	35.6	12.4	41.6	13.5	48.4	15.1
	17	35.4	12.4	41.4	13.7	48.2	15.1
26	15	35.2	12.4	41.2	13.7	48.0	15.3
	16	35.0	12.4	41.0	13.9	47.8	15.5
	17	34.8	12.6	40.8	13.9	47.4	15.5
28	15	34.6	12.6	40.6	14.1	47.2	15.7

INDOOR		OUTDOOR WB°C					
		5.0		10.0		15.0	
DB°C	WBC	Q kW	T/I kW	Q kW	T/I kW	Q kW	T/I kW
30	15	57.2	15.9	65.6	17.8	74.6	19.9
	16	57.0	15.7	65.4	17.6	74.4	19.7
	17	56.8	16.1	65.2	18.0	74.2	20.1
32	15	56.6	16.1	65.0	18.2	74.0	20.5
	16	56.2	16.4	64.6	18.4	73.8	20.7
	17	56.0	16.6	64.4	18.6	73.6	20.9
34	15	56.0	16.8	64.2	18.8	73.2	21.1
	16	55.8	16.8	64.0	18.8	72.8	21.3
	17	55.6	17.0	63.6	19.0	72.4	21.3
36	15	55.4	17.2	63.4	19.3	72.2	21.5
	16	55.2	17.4	63.2	19.5	71.8	21.7
	17	54.8	17.4	62.8	19.7	71.2	22.1
38	15	54.4	17.6	62.2	19.9	70.8	22.4

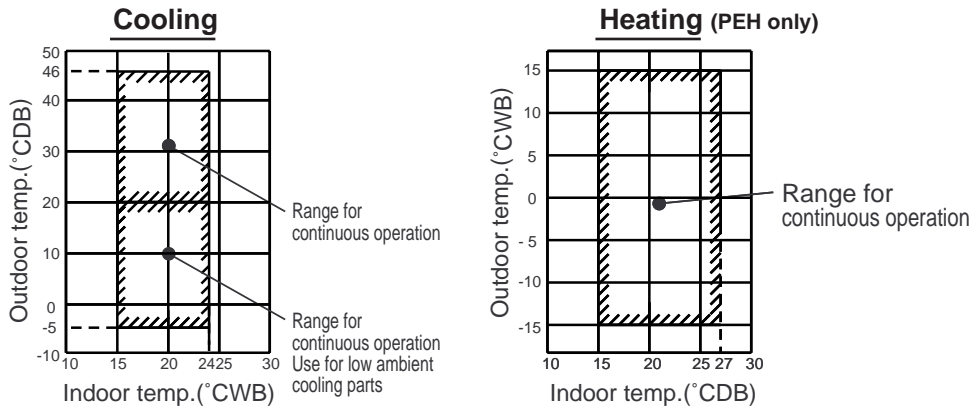
* Q : HEATING CAPACITY T/I : TOTAL INPUT

Factor for Various Air Flow

PEH-20MYA-EU	AIR VOLUME	CMM	160	180	200
		L/S	2,660	3,000	3,320
HEATING	CAPACITY		0.989	1.0	1.008
	TOTAL INPUT		1.025	1.0	0.984

OPERATION RANGE

The range of working temperatures is as below.
 Make sure which unit you are using and confirm the range of application.

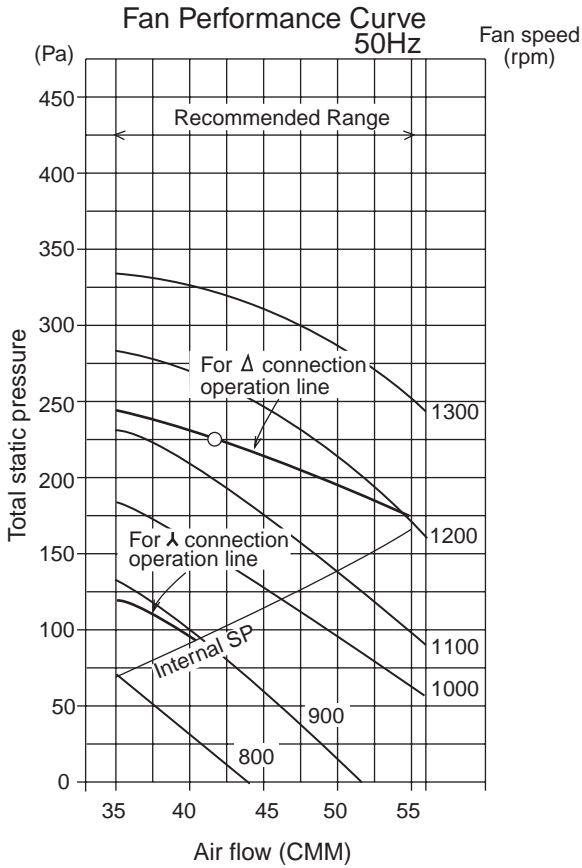


Note
 As an applicable humidity outside standard for both indoors and outdoors, we recommend use within a range of 35-80% relative humidity. However, it is a condition that there is no be dewy in surfaces of electric parts.

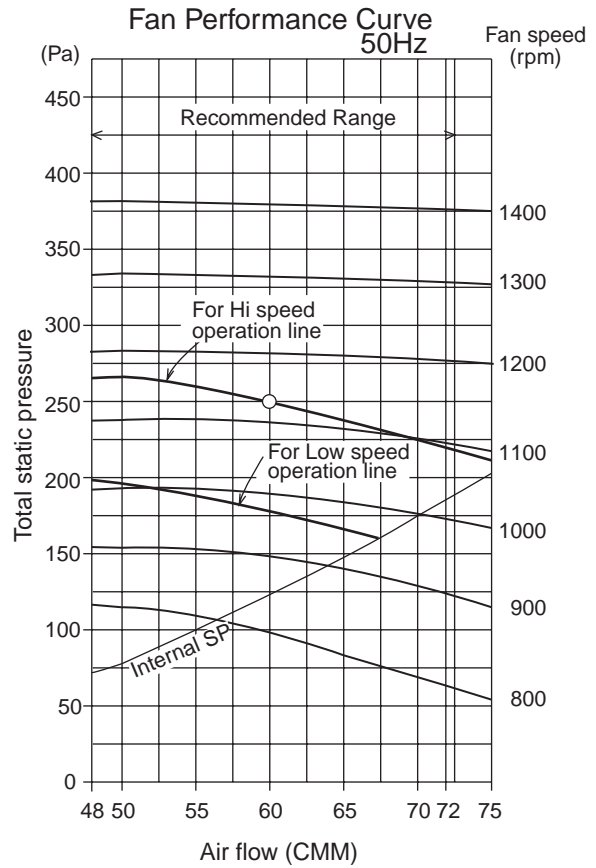
⚠ Caution:
 The use of your air conditioner outside the range of working temperature and humidity can result in serious failure.

FAN PERFORMANCE

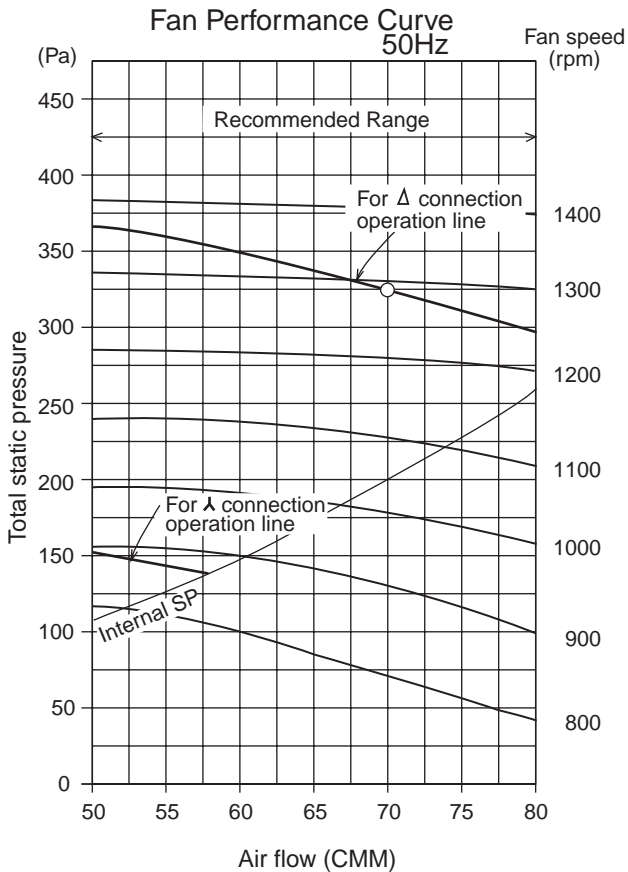
PEH-5MYA-EU



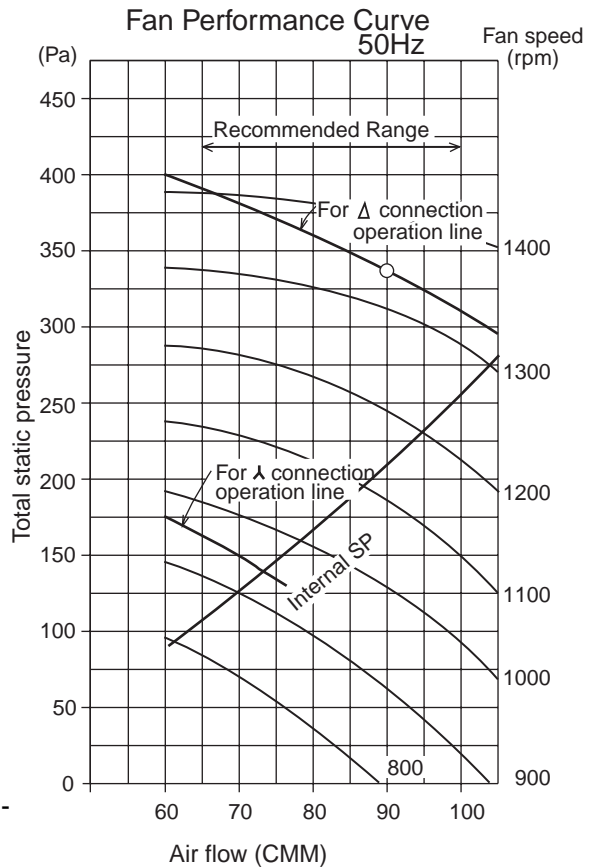
PE-7MYC-EU PEH-7MYA-EU



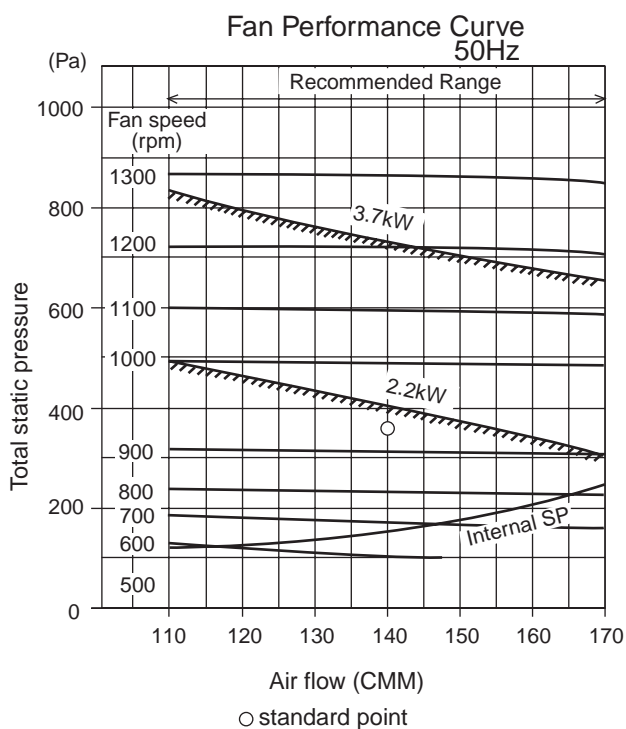
PE-8MYC-EU PEH-8MYA-EU



PE-10MYC-EU PEH-10MYA-EU



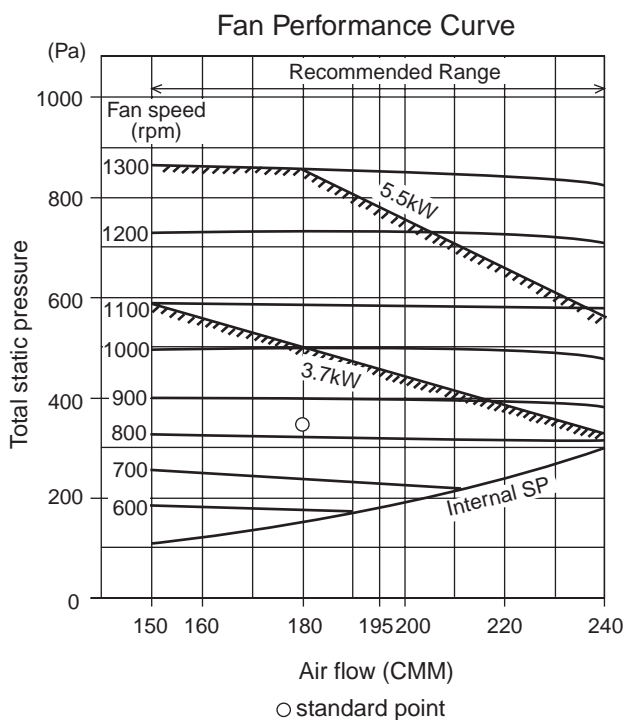
PE-15MYC-EU
PEH-15MYA-EU



Total static pressure (Pa)	Model	Airflow							
		PE-15MYC-EU, PEH-15MYA-EU							
		CMM	110	120	130	140	150	160	170
	L/S	1830	2000	2170	2330	2500	2670	2830	
200	FAN SPEED (rpm)	768	768	768	768	768	-	-	
	PULLEYSIZE (MOTOR SIDE) (mm)	139.7	139.7	139.7	139.7	139.7	-	-	
	PULLEYSIZE (MOTOR SIDE) (inch)	5.5	5.5	5.5	5.5	5.5	-	-	
	PULLEYSIZE (FAN SIDE) (mm)	254	254	254	254	254	-	-	
	PULLEYSIZE (FAN SIDE) (inch)	10	10	10	10	10	-	-	
	BELT SIZE (inch)	B45	B45	B45	B45	B45	-	-	
	MOTOR (kw)	2.2	2.2	2.2	2.2	2.2	-	-	
	MOTOR (rpm)	898	898	898	898	898	898	898	
300	FAN SPEED (rpm)	898	898	898	898	898	898	898	
	PULLEYSIZE (MOTOR SIDE) (mm)	114.3	114.3	114.3	114.3	114.3	114.3	114.3	
	PULLEYSIZE (MOTOR SIDE) (inch)	4.5	4.5	4.5	4.5	4.5	4.5	4.5	
	PULLEYSIZE (FAN SIDE) (mm)	177.8	177.8	177.8	177.8	177.8	177.8	177.8	
	PULLEYSIZE (FAN SIDE) (inch)	7	7	7	7	7	7	7	
	BELT SIZE (inch)	B38X2	B38X2	B38X2	B38X2	B38X2	B38X2	B38X2	B38X2
	MOTOR (kw)	2.2	2.2	2.2	2.2	2.2	2.2	2.2	
	MOTOR (rpm)	942	942	942	942	971	971	971	
400	FAN SPEED (rpm)	942	942	942	942	971	971	971	
	PULLEYSIZE (MOTOR SIDE) (mm)	152.4	152.4	152.4	152.4	139.7	139.7	139.7	
	PULLEYSIZE (MOTOR SIDE) (inch)	6	6	6	6	5.5	5.5	5.5	
	PULLEYSIZE (FAN SIDE) (mm)	228.6	228.6	228.6	228.6	203.2	203.2	203.2	
	PULLEYSIZE (FAN SIDE) (inch)	9	9	9	9	8	8	8	
	BELT SIZE (inch)	B44	B44	B44	B44	B40X2	B40X2	B40X2	B40X2
	MOTOR (kw)	2.2	2.2	2.2	2.2	3.7	3.7	3.7	
	MOTOR (rpm)	1008	1008	1008	1008	1067	1067	1067	
500	FAN SPEED (rpm)	1008	1008	1008	1008	1067	1067	1067	
	PULLEYSIZE (MOTOR SIDE) (mm)	127	127	127	127	152.4	152.4	152.4	
	PULLEYSIZE (MOTOR SIDE) (inch)	5	5	5	5	6	6	6	
	PULLEYSIZE (FAN SIDE) (mm)	177.8	177.8	177.8	177.8	203.2	203.2	203.2	
	PULLEYSIZE (FAN SIDE) (inch)	7	7	7	7	8	8	8	
	BELT SIZE (inch)	B37X2	B37X2	B37X2	B37X2	B40X2	B40X2	B40X2	
	MOTOR (kw)	3.7	3.7	3.7	3.7	3.7	3.7	3.7	
	MOTOR (rpm)	1119	1119	1119	1119	1119	1119	1119	
600	FAN SPEED (rpm)	1119	1119	1119	1119	1119	1119	1119	
	PULLEYSIZE (MOTOR SIDE) (mm)	139.7	139.7	139.7	139.7	139.7	139.7	139.7	
	PULLEYSIZE (MOTOR SIDE) (inch)	5.5	5.5	5.5	5.5	5.5	5.5	5.5	
	PULLEYSIZE (FAN SIDE) (mm)	177.8	177.8	177.8	177.8	177.8	177.8	177.8	
	PULLEYSIZE (FAN SIDE) (inch)	7	7	7	7	7	7	7	
	BELT SIZE (inch)	B38X2	B38X2	B38X2	B38X2	B38X2	B38X2	B38X2	
	MOTOR (kw)	3.7	3.7	3.7	3.7	3.7	3.7	3.7	
	MOTOR (rpm)	1190	1190	1190	1190	-	-	-	
700	FAN SPEED (rpm)	1190	1190	1190	1190	-	-	-	
	PULLEYSIZE (MOTOR SIDE) (mm)	127	127	127	127	-	-	-	
	PULLEYSIZE (MOTOR SIDE) (inch)	5	5	5	5	-	-	-	
	PULLEYSIZE (FAN SIDE) (mm)	152.4	152.4	152.4	152.4	-	-	-	
	PULLEYSIZE (FAN SIDE) (inch)	6	6	6	6	-	-	-	
	BELT SIZE (inch)	B36X2	B36X2	B36X2	B36X2	-	-	-	
	MOTOR (kw)	3.7	3.7	3.7	3.7	-	-	-	
	MOTOR (rpm)	1258	-	-	-	-	-	-	
800	FAN SPEED (rpm)	1258	-	-	-	-	-	-	
	PULLEYSIZE (MOTOR SIDE) (mm)	177.8	-	-	-	-	-	-	
	PULLEYSIZE (MOTOR SIDE) (inch)	7	-	-	-	-	-	-	
	PULLEYSIZE (FAN SIDE) (mm)	203.2	-	-	-	-	-	-	
	PULLEYSIZE (FAN SIDE) (inch)	8	-	-	-	-	-	-	
	BELT SIZE (inch)	B42	-	-	-	-	-	-	
	MOTOR (kw)	3.7	-	-	-	-	-	-	
	MOTOR (rpm)	1258	-	-	-	-	-	-	

* Std.

PE-20MYC-EU
PEH-20MYA-EU

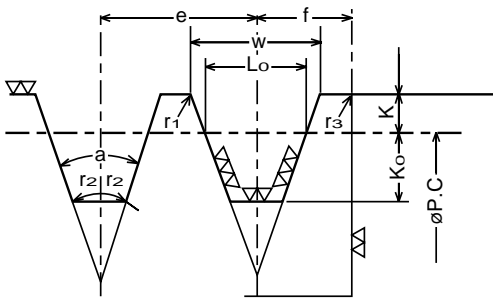


Total static pressure (Pa)	Model	Airflow						
		PE-20MYC-EU, PEH-20MYA-EU						
		CMM	150	160	180	200	220	240
	L/S	2500	2670	3000	3330	3670	4000	
200	FAN SPEED (rpm)	627	627	692	692	-	-	
	PULLEYSIZE (MOTOR SIDE) (mm)	127	127	127	127	-	-	
	PULLEYSIZE (MOTOR SIDE) (inch)	5	5	5	5	-	-	
	PULLEYSIZE (FAN SIDE) (mm)	279.4	279.4	254	254	-	-	
	PULLEYSIZE (FAN SIDE) (inch)	11	11	10	10	-	-	
	BELT SIZE (inch)	B44X2	B44X2	B42X2	B42X2	-	-	
	MOTOR (kw)	3.7	3.7	3.7	3.7	-	-	
	MOTOR (rpm)	768	768	773	773	773	773	
300	FAN SPEED (rpm)	768	768	773	773	773	773	
	PULLEYSIZE (MOTOR SIDE) (mm)	139.7	139.7	127	127	127	127	
	PULLEYSIZE (MOTOR SIDE) (inch)	5.5	5.5	5	5	5	5	
	PULLEYSIZE (FAN SIDE) (mm)	254	254	228.6	228.6	228.6	228.6	
	PULLEYSIZE (FAN SIDE) (inch)	10	10	9	9	9	9	
	BELT SIZE (inch)	B43X2	B43X2	B40X2	B40X2	B40X2	B40X2	B40X2
	MOTOR (kw)	3.7	3.7	3.7	3.7	3.7	3.7	
	MOTOR (rpm)	942	942	942	942	942	942	
400	FAN SPEED (rpm)	942	942	942	942	942	942	
	PULLEYSIZE (MOTOR SIDE) (mm)	152.4	152.4	152.4	152.4	152.4	152.4	
	PULLEYSIZE (MOTOR SIDE) (inch)	6	6	6	6	6	6	
	PULLEYSIZE (FAN SIDE) (mm)	228.6	228.6	228.6	228.6	228.6	228.6	
	PULLEYSIZE (FAN SIDE) (inch)	9	9	9	9	9	9	
	BELT SIZE (inch)	B42X2	B42X2	B42X2	B42X2	B41X2	B41X2	
	MOTOR (kw)	3.7	3.7	3.7	3.7	5.5	5.5	
	MOTOR (rpm)	1008	1008	1008	1067	1067	1067	
500	FAN SPEED (rpm)	1008	1008	1008	1067	1067	1067	
	PULLEYSIZE (MOTOR SIDE) (mm)	127	127	127	152.4	152.4	152.4	
	PULLEYSIZE (MOTOR SIDE) (inch)	5	5	5	6	6	6	
	PULLEYSIZE (FAN SIDE) (mm)	177.8	177.8	177.8	203.2	203.2	203.2	
	PULLEYSIZE (FAN SIDE) (inch)	7	7	7	8	8	8	
	BELT SIZE (inch)	B37X2	B37X2	B37X2	B39X2	B39X2	B39X2	
	MOTOR (kw)	3.7	3.7	3.7	5.5	5.5	5.5	
	MOTOR (rpm)	1119	1119	1119	1119	1119	1119	
600	FAN SPEED (rpm)	1119	1119	1119	1119	1119	1119	
	PULLEYSIZE (MOTOR SIDE) (mm)	139.7	139.7	139.7	139.7	139.7	-	
	PULLEYSIZE (MOTOR SIDE) (inch)	5.5	5.5	5.5	5.5	5.5	-	
	PULLEYSIZE (FAN SIDE) (mm)	177.8	177.8	177.8	177.8	177.8	-	
	PULLEYSIZE (FAN SIDE) (inch)	7	7	7	7	7	-	
	BELT SIZE (inch)	B37X2	B37X2	B37X2	B37X2	B37X2	-	
	MOTOR (kw)	5.5	5.5	5.5	5.5	5.5	-	
	MOTOR (rpm)	1229	1229	1229	1229	-	-	
700	FAN SPEED (rpm)	1229	1229	1229	1229	-	-	
	PULLEYSIZE (MOTOR SIDE) (mm)	152.4	152.4	152.4	152.4	-	-	
	PULLEYSIZE (MOTOR SIDE) (inch)	6	6	6	6	-	-	
	PULLEYSIZE (FAN SIDE) (mm)	177.8	177.8	177.8	177.8	-	-	
	PULLEYSIZE (FAN SIDE) (inch)	7	7	7	7	-	-	
	BELT SIZE (inch)	B38X2	B38X2	B38X2	B38X2	-	-	
	MOTOR (kw)	5.5	5.5	5.5	5.5	-	-	
	MOTOR (rpm)	1258	1258	1258	1258	-	-	
800	FAN SPEED (rpm)	1258	1258	1258	1258	-	-	
	PULLEYSIZE (MOTOR SIDE) (mm)	177.8	177.8	177.8	-	-	-	
	PULLEYSIZE (MOTOR SIDE) (inch)	7	7	7	-	-	-	
	PULLEYSIZE (FAN SIDE) (mm)	203.2	203.2	203.2	-	-	-	
	PULLEYSIZE (FAN SIDE) (inch)	8	8	8	-	-	-	
	BELT SIZE (inch)	B41X2	B41X2	B41X2	-	-	-	
	MOTOR (kw)	5.5	5.5	5.5	-	-	-	
	MOTOR (rpm)	1258	-	-	-	-	-	

* Std.

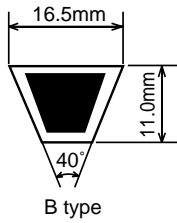
Pulley outside dimensions are shown below: (Unit : mm)

(1) Shape of belt groove

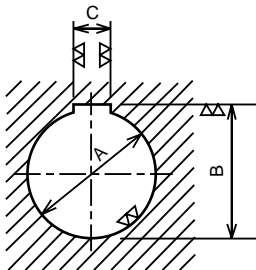


Shape of V-belt	Nominal Dia. $\phi P.C.$	a (°)	W	L_o	K	K_o	e	f	r_1	r_2	r_3	V-belt thickness (Reference)
B	Over 125 Under 160	34	15.86	12.5	5.5	9.5	19.0	12.5	0.2-0.5	0.5-1.0	1-2	11
	Over 160 Under 200	36	16.07									
	Over 200	38	16.29									

Sectional plan of V-belt



(2) Shape of motor pulley boss (Unit : mm)



MOTOR CAPACITY (kW)	A	B	C
2.2, 3.7	$\phi 28^{+0.028}_{+0.007}$	$31^{+0.128}_{+0.007}$	$8^{+0.018}_{-0.018}$
5.5	$\phi 38^{+0.028}_{+0.007}$	$41^{+0.128}_{+0.009}$	$10^{+0.018}_{-0.018}$

SOUND DATA

Indoor units

Sound Levels

MODEL	PWL dB(A)	SPL dB(A)	OCTAVE BAND FREQ. Hz							
			63Hz	125Hz	250Hz	500Hz	1000Hz	2000Hz	4000Hz	8000Hz
PEH-5MYA-EU	63	55	60.5	57.5	57.5	52.5	50.5	43	34.5	28.5
PE-7MYC-EU PEH-7MYA-EU	63	55	62	60	54	53	50	42.5	37	31.5
PE-8MYC-EU PEH-8MYA-EU	64	56	63	61	55	54	51	43.5	38	32.5
PE-10MYC-EU PEH-10MYA-EU	67	59	62	62.5	58.5	59.5	53	48	43.5	36
PE-15MYC-EU PEH-15MYA-EU	69	61	25	40	47	52	55	57.5	52	36.5
PE-20MYC-EU PEH-20MYA-EU	70	62	32	44	49	53.5	56.5	57.5	53	51

Outdoor units

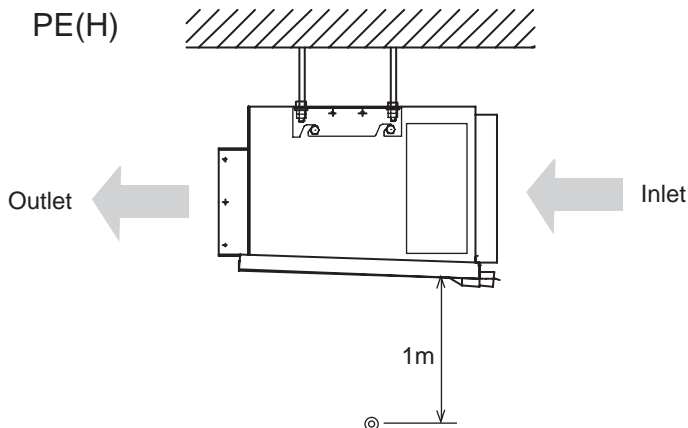
Sound Levels

MODEL	PWL dB(A)	SPL dB(A)	OCTAVE BAND FREQ. Hz							
			63Hz	125Hz	250Hz	500Hz	1000Hz	2000Hz	4000Hz	8000Hz
PUH-5MYE-EU	68	57	68	58	57	52.5	52	47.5	49	40
PU-7MYC1-EU PUH-7MYC1-EU	76	65	62	63.5	62	62	60	57.5	54	54
PU-8MYC1-EU PUH-8MYC1-EU	76	65	62	63.5	62	62	60	57.5	54	54
PUH-8MYE-EU	76	65	45.4	58	58	58.5	61	60	51.5	47
PU-10MYC1-EU PUH-10MYC1-EU	76	65	64.5	65	64	62.5	60	57	54.5	53
PUH-10MYE-EU	76	65	45.4	58	58	58.5	61	60	51.5	47
PU-15MYC1-EU	78	67	68	72	70	65	60	57	53	49.5
PU-20MYC1-EU	79	68	66	69	70.5	65	62	59	56.5	53
PUH-15MYC1-EU	80	69	43	51	59	64	65	64	55	50.5
PUH-20MYC1-EU	80	69	43	51	59	64.5	65	64	55.5	51.5

Position measurement

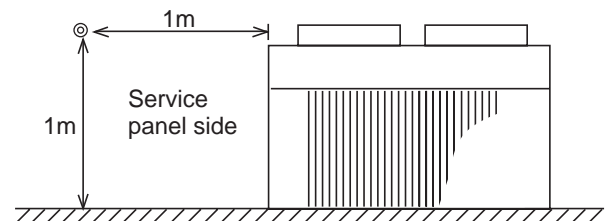
Indoor unit

PE(H)



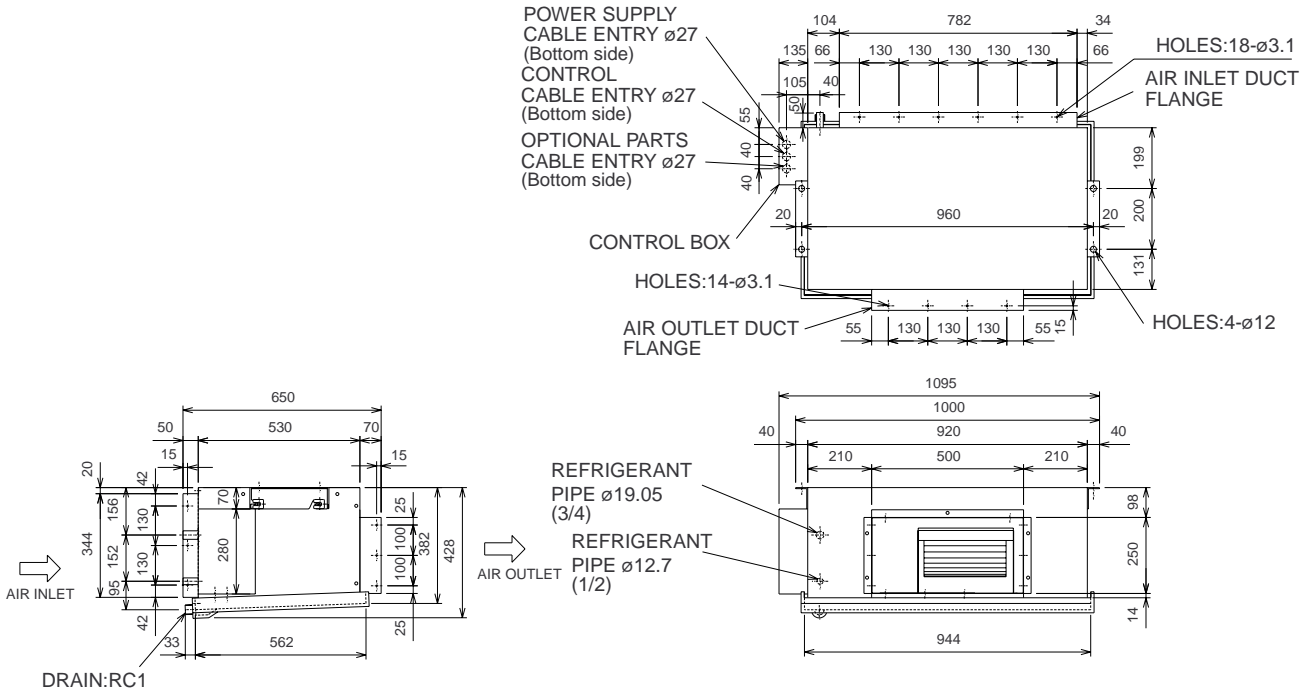
Outdoor unit

PU(H)

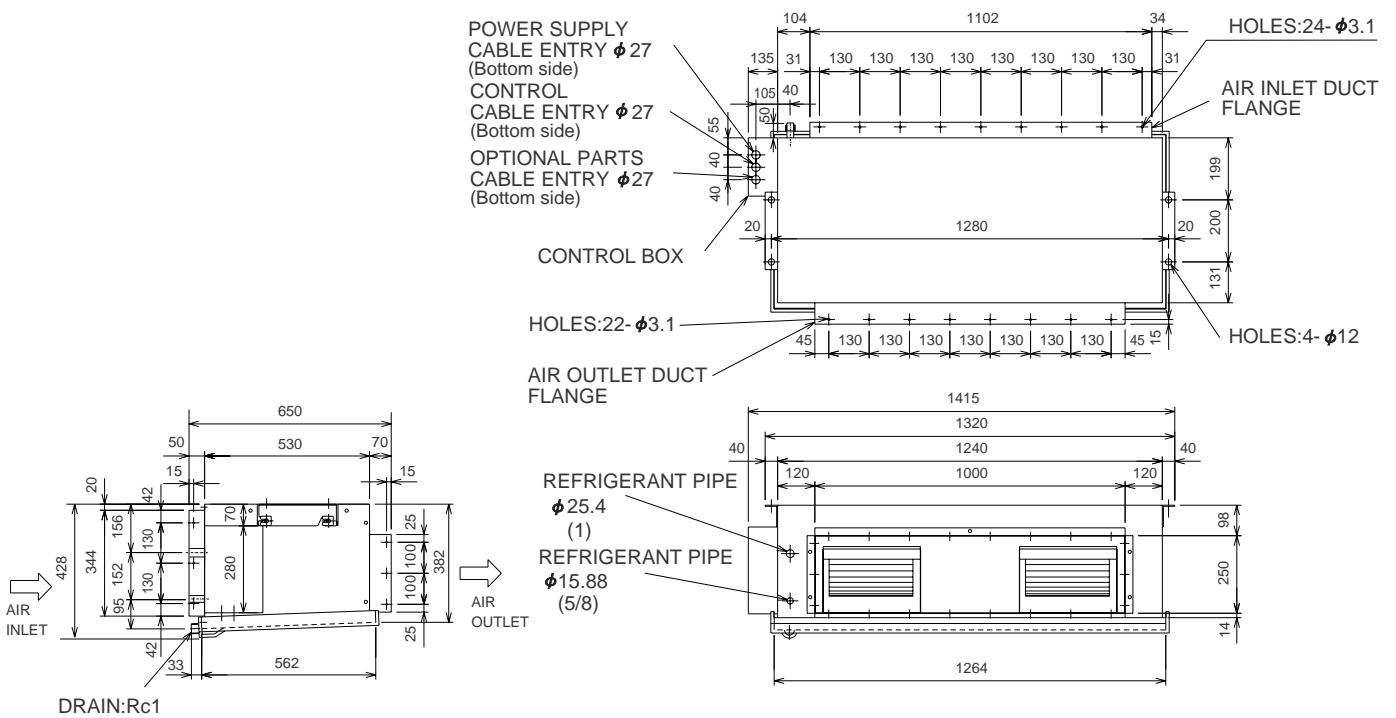


OUTLINE DIMENSIONS

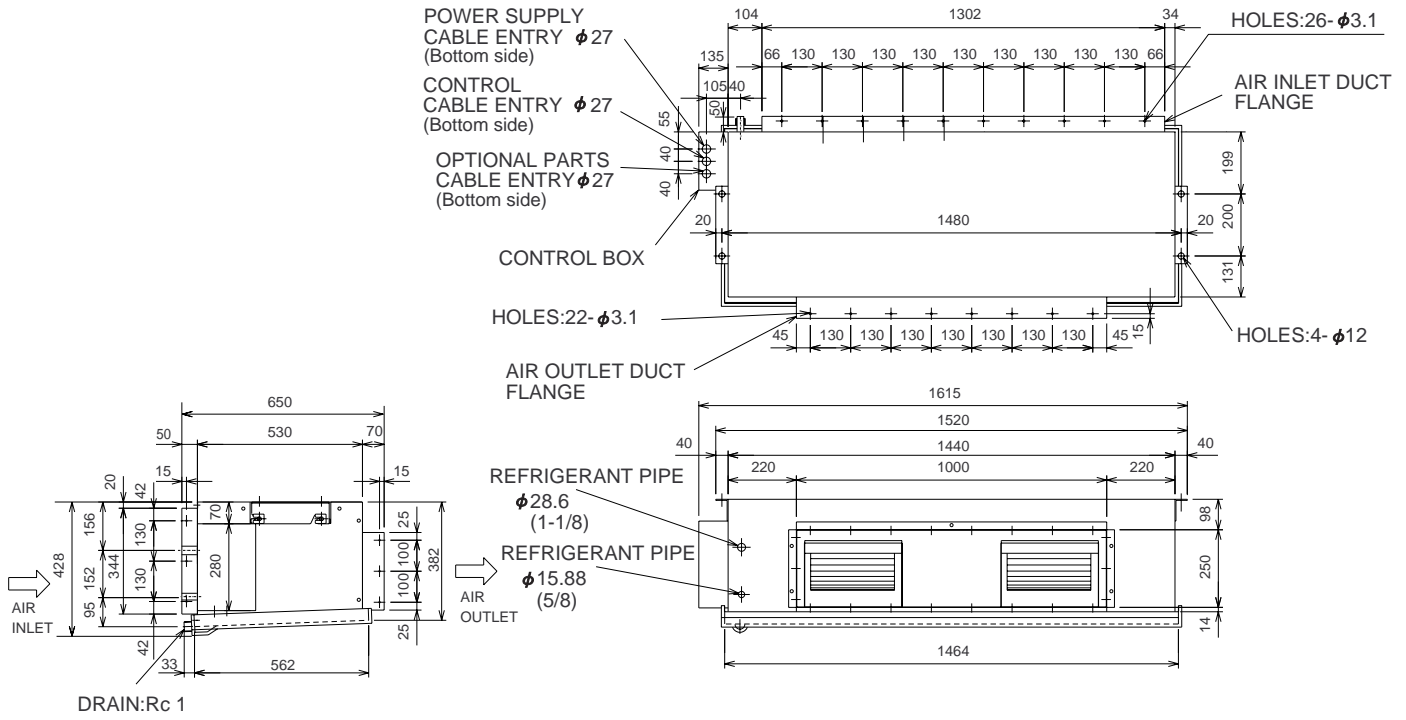
PEH-5



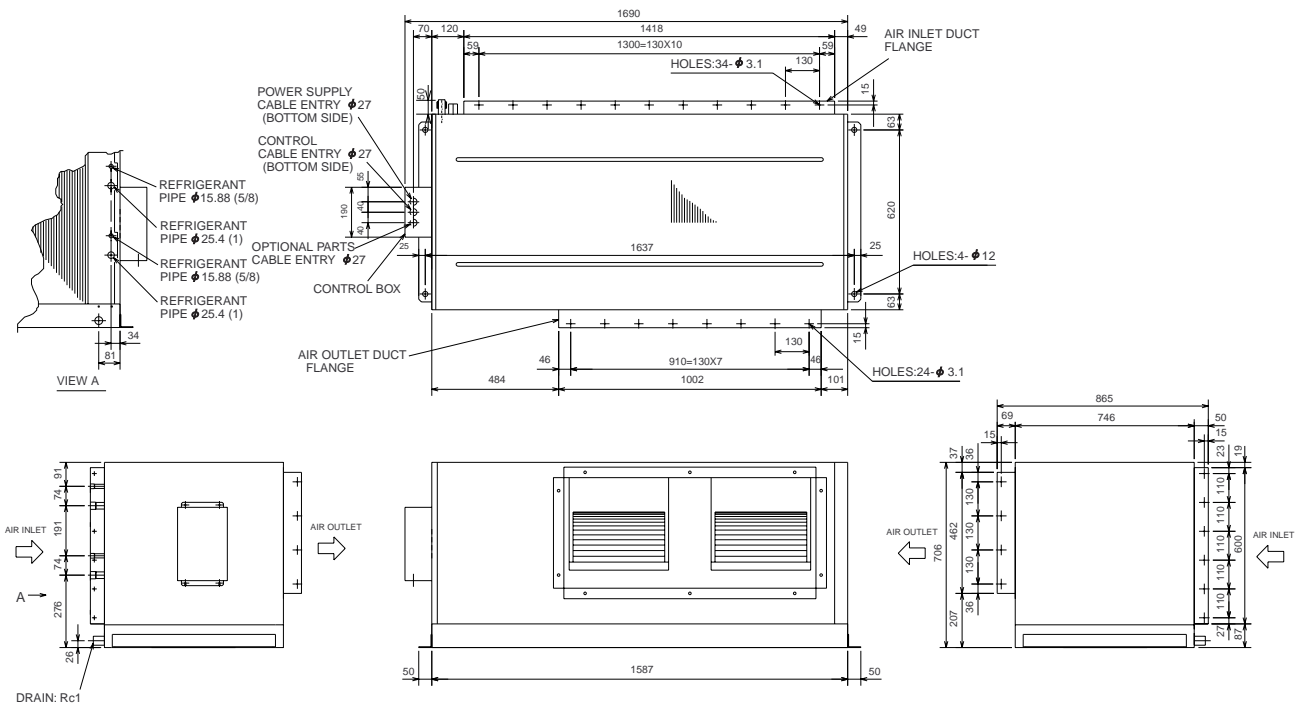
PE(H)-7,8



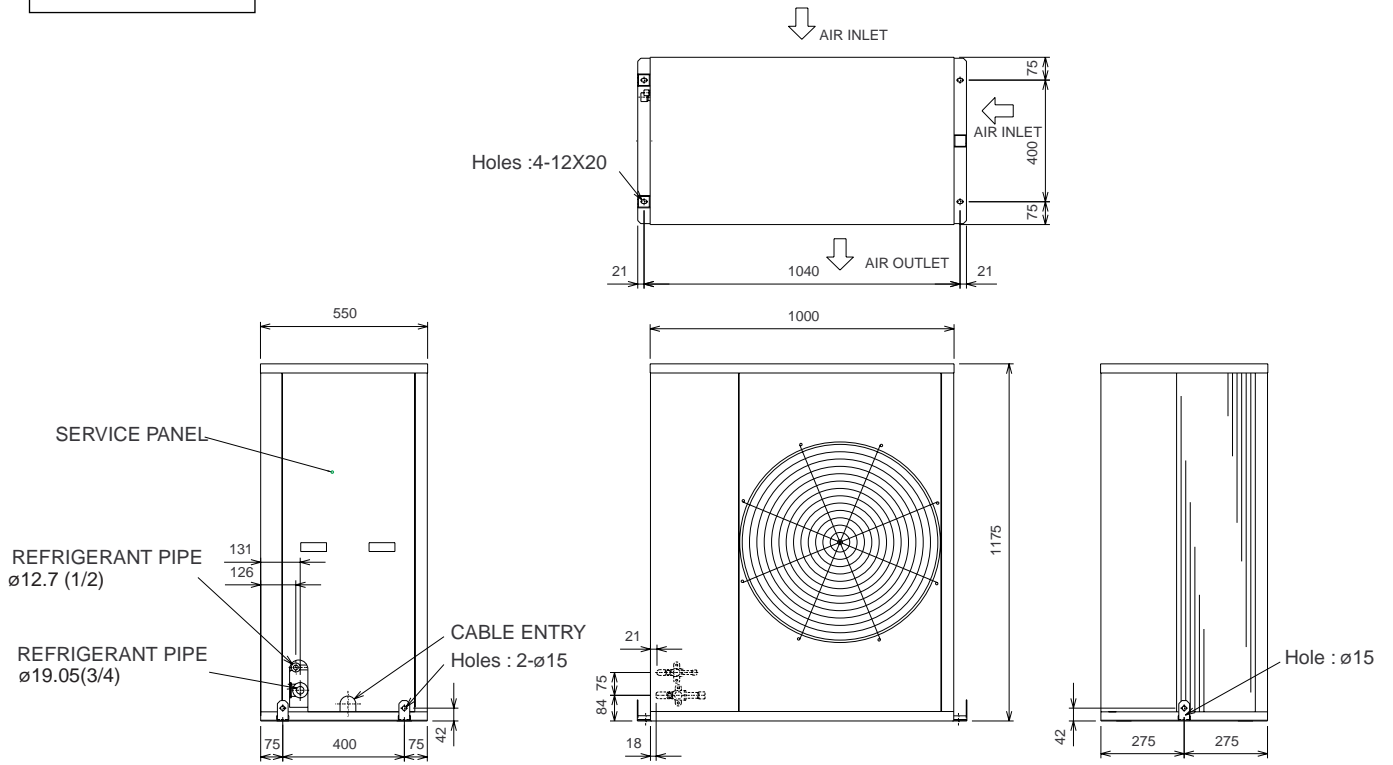
PE(H)-10



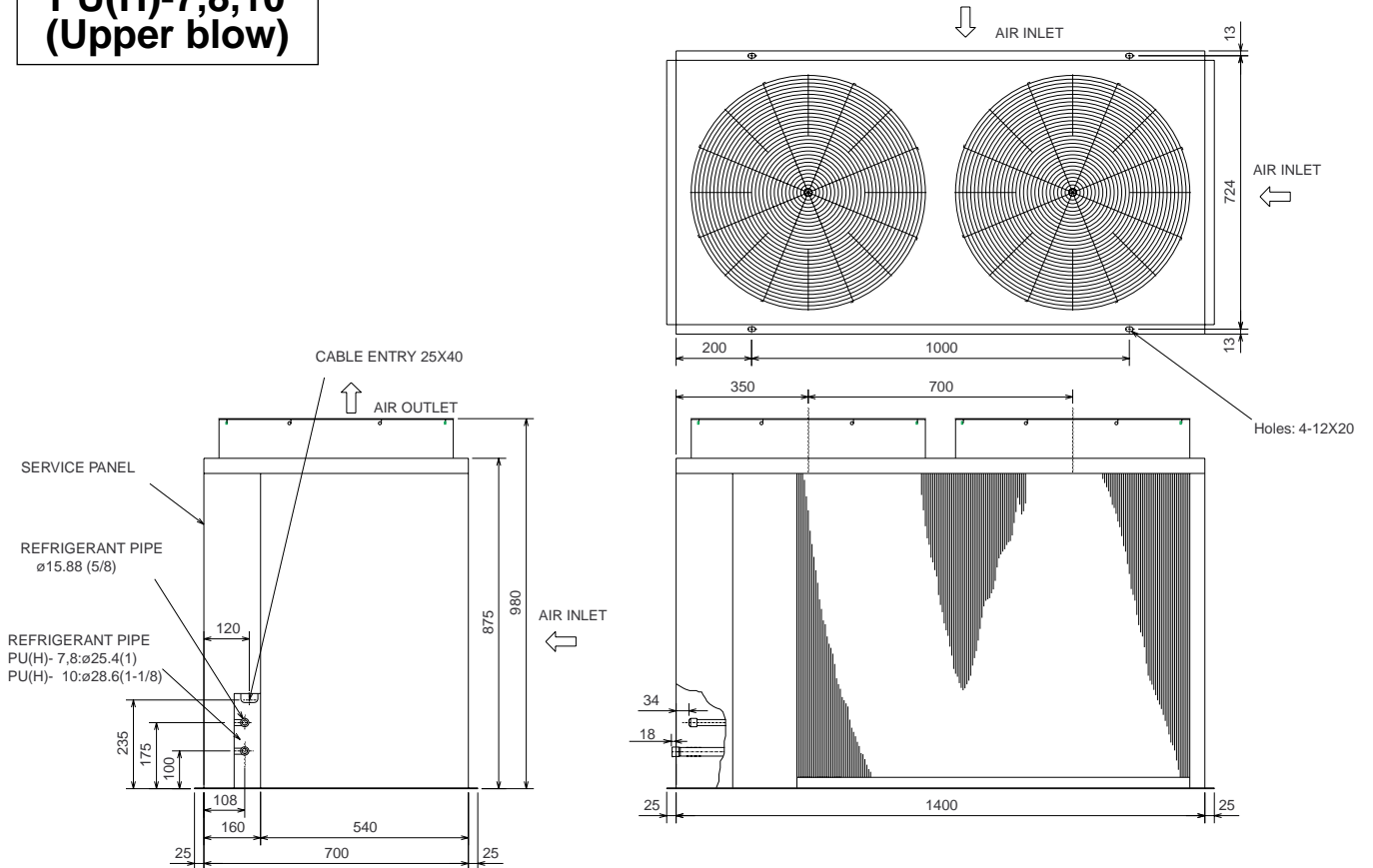
PE(H)-15



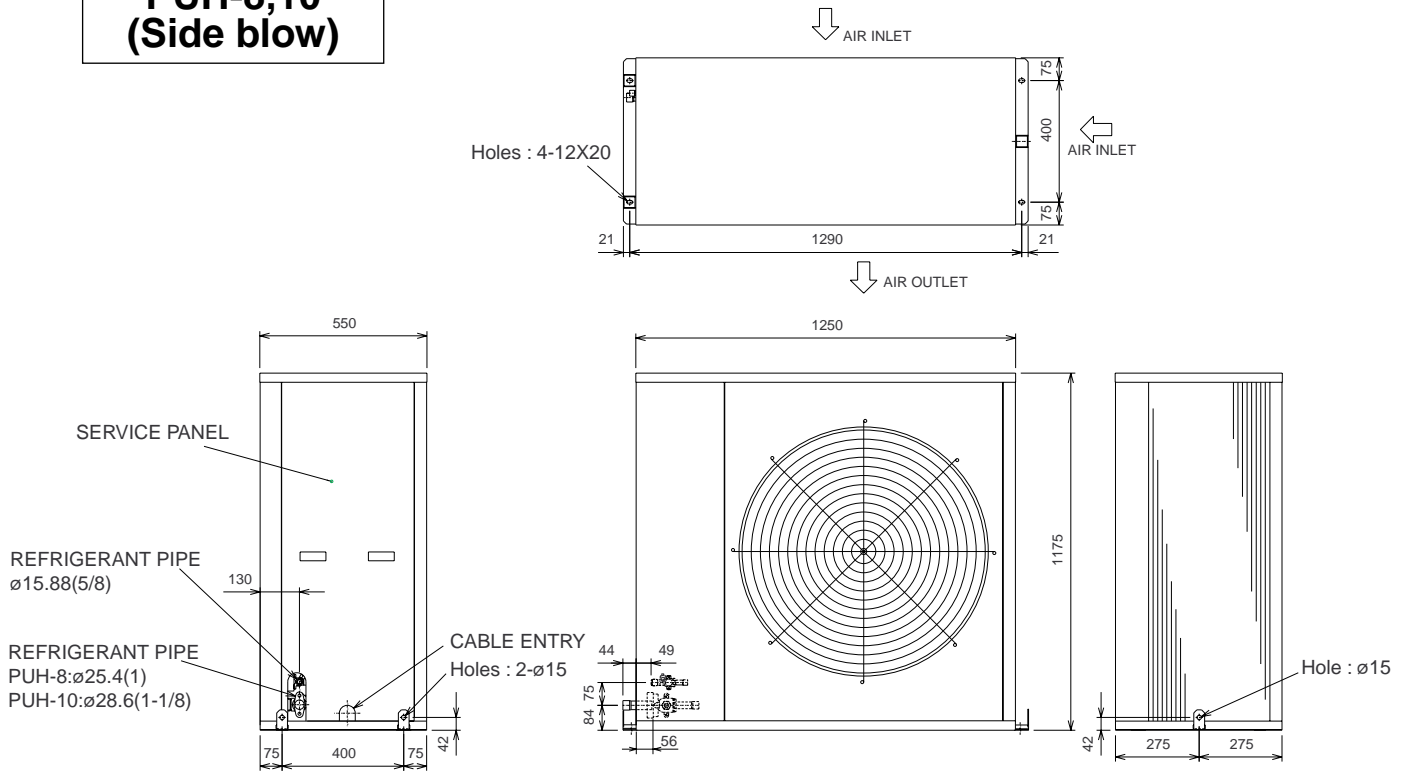
PUH-5



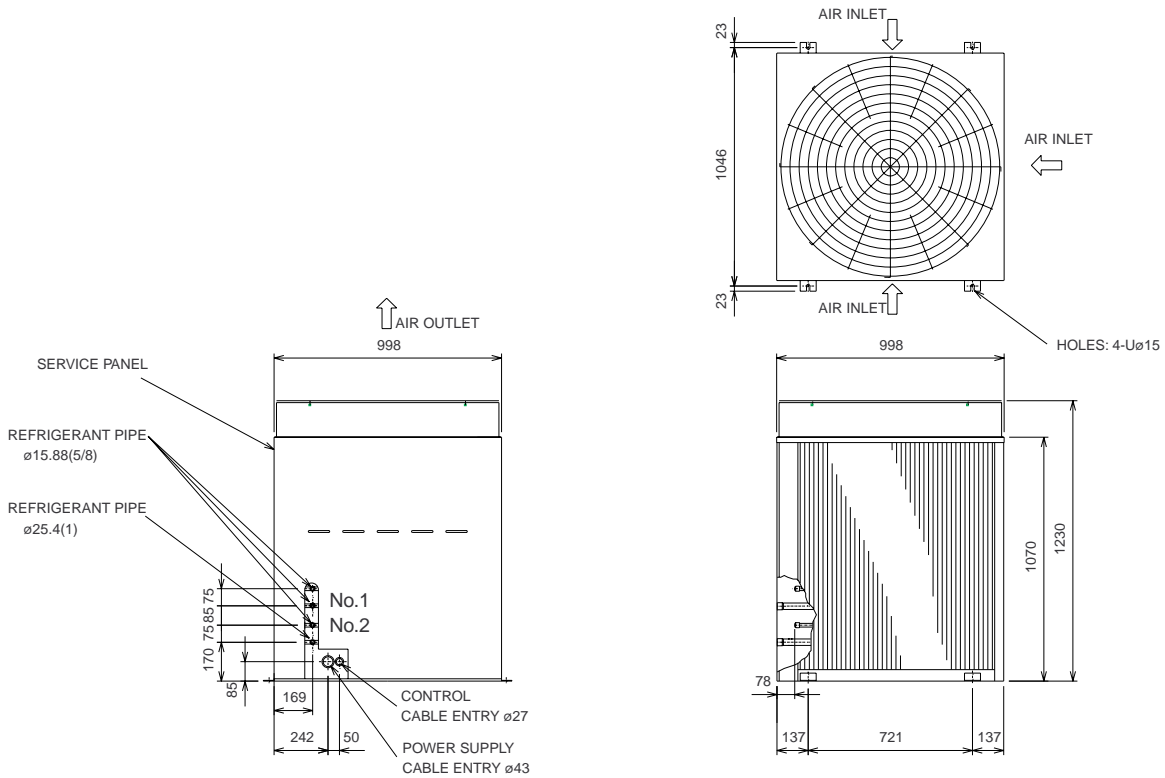
PU(H)-7,8,10 (Upper blow)



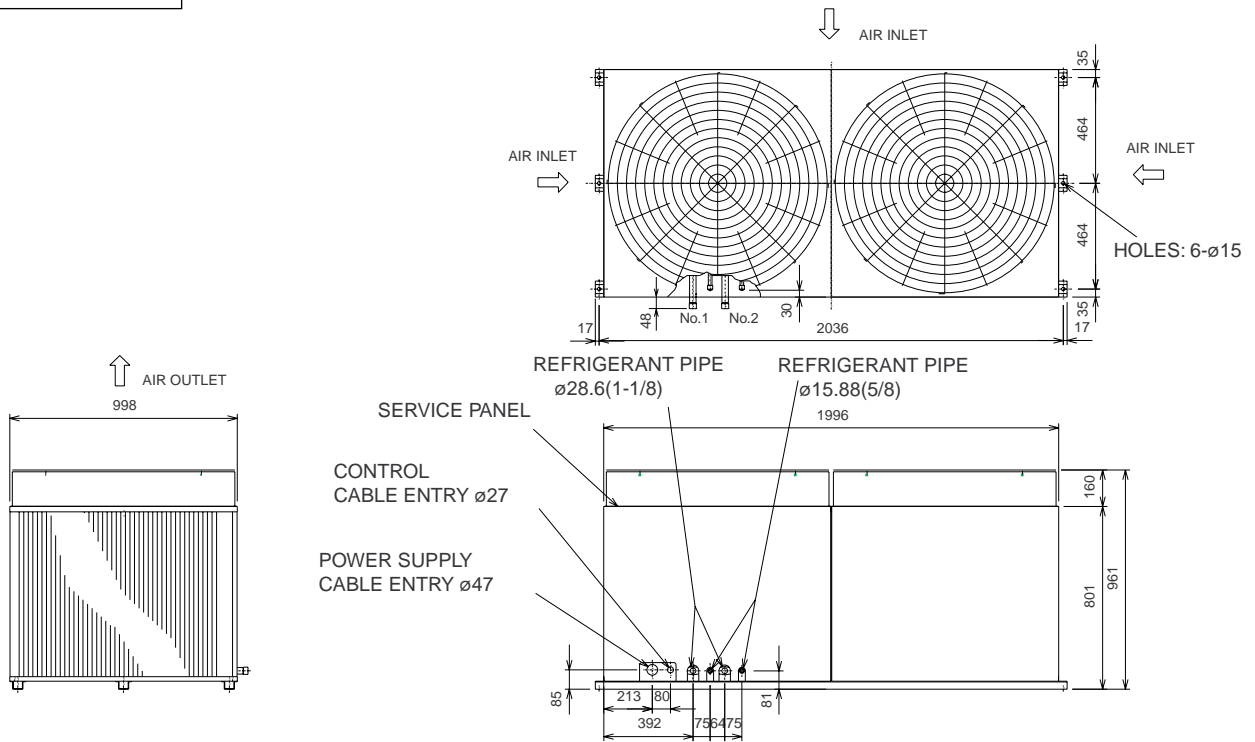
PUH-8,10 (Side blow)



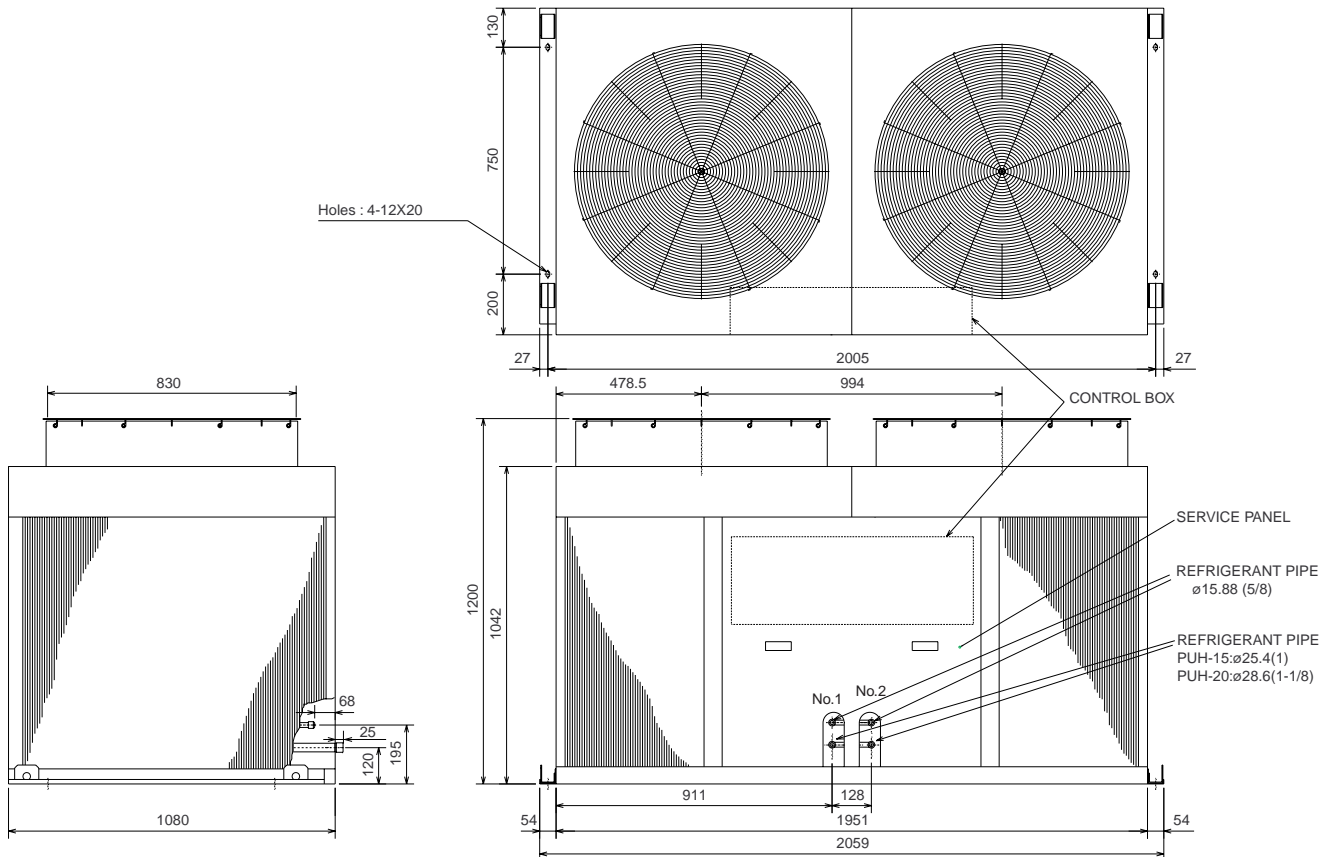
PU-15



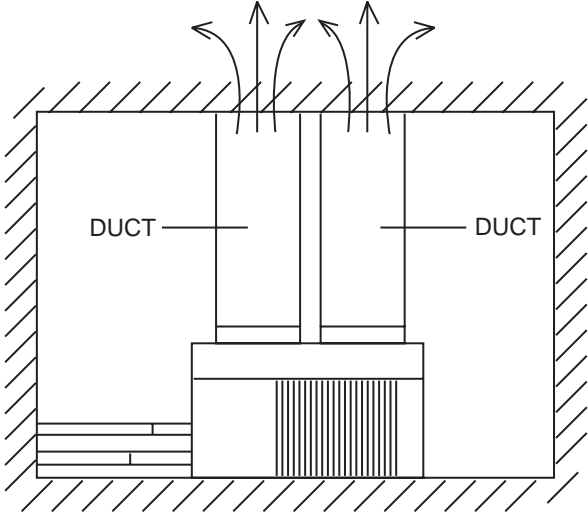
PU-20



PUH-15,20

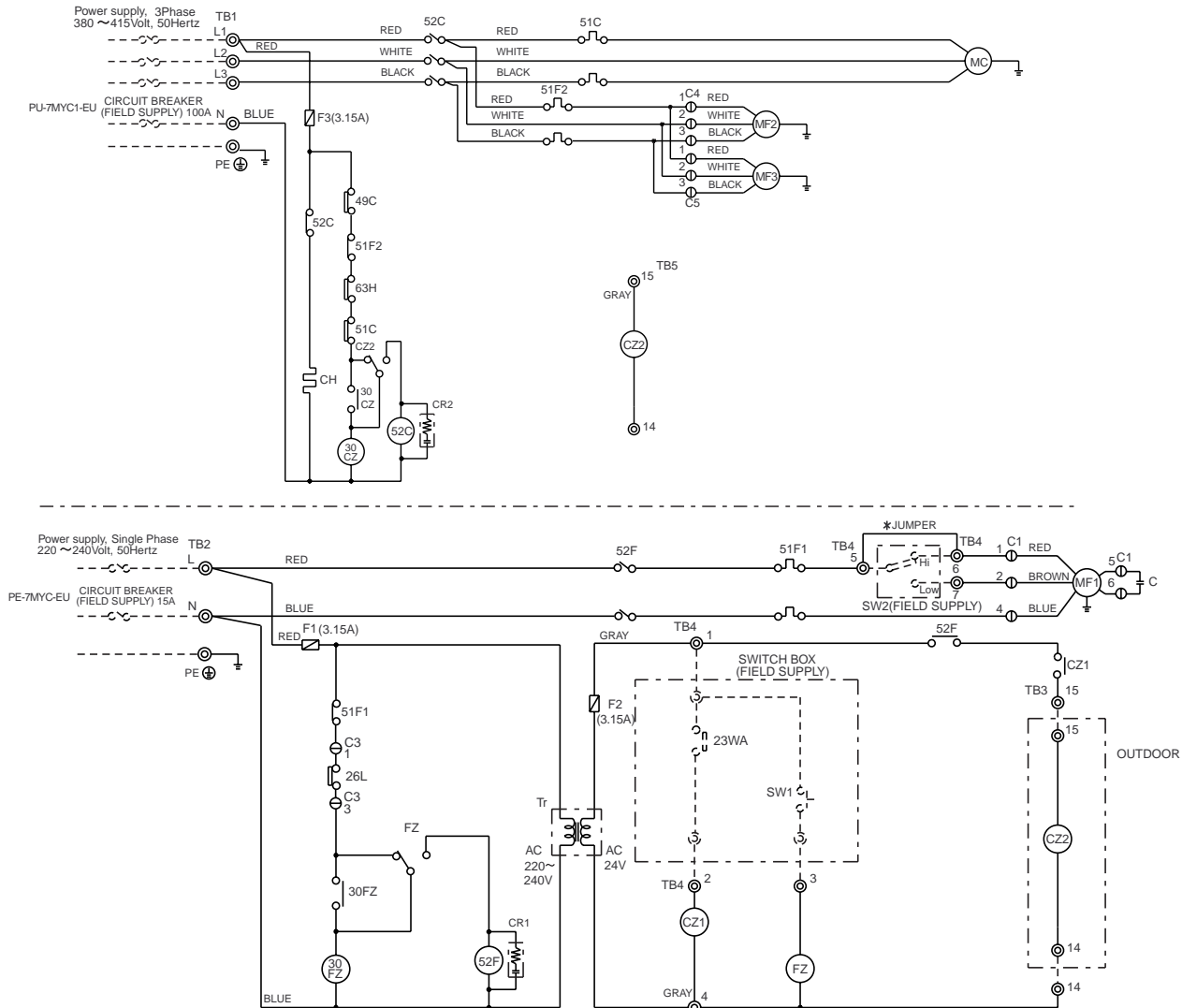


Note: In the case of installation are shown below, it is possible to use the unit by connecting the duct. However, the pressure loss must be 30Pa (3mmAg) or less. Duct work is local supply.



WIRING DIAGRAMS

PE-7MYC-EU (STANDARD)



Symbol	Name
MC	Compressor motor
MF 1	Fan motor (indoor)
MF 2,3	Fan motor (outdoor)
52 C	Contactor (compressor)
52 F	Contactor (fan I/D)
TB1~5	Terminal block
CH	Crankcase heater
F1~3	Fuse (3.15A)
Tr	Transformer
49 C	Internal thermostat (compressor)
51 C	Over current relay (compressor)
51F1,2	Over current relay(fan/I/O/D)
63 H	High-pressure switch
26L	Thermostat (freeze protection)
FZ	Auxiliary relay (fan)
CZ1, 2	Auxiliary relay (compressor)
30CZ, FZ	Auxiliary relay (check)
{SW1}	Switch (on)
{SW2}	Switch (Fan Hi-Low)
{23WA}	Thermostat (room temp.)
C	Run capacitor
C1, 3 ~ 5	Connector
CR1, 2	Surge killer

- Note: 1. The dotted lines show field wiring.
 2. The figure in the parentheses show field supply parts.
 3. Color of earth wire is yellow and green twisting.
 4. Not specified color of wire is brown.
 5. Please remove the jumper wire (*Mark) in the above diagram if you use the Switch <SW2> at local. If the Switch <SW2> is not used, the Fan motor (indoor) drives at high speed.
 6. Specification subject to change without notice.

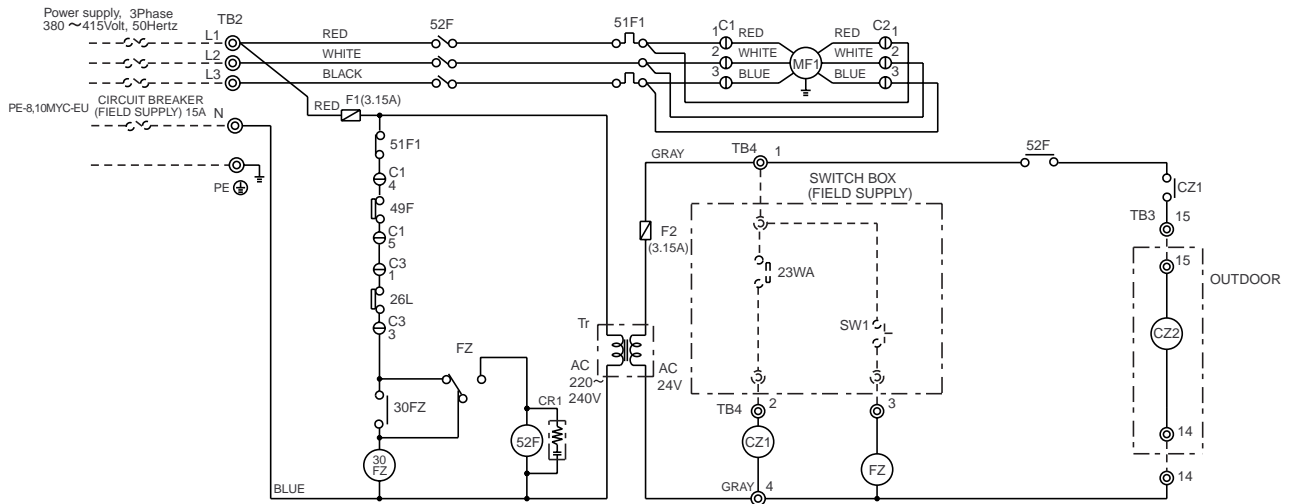
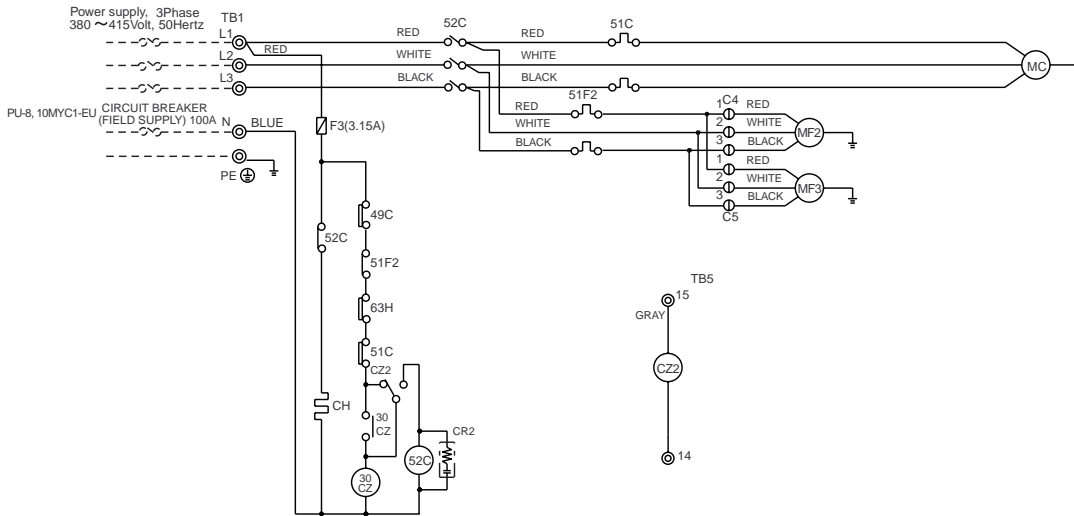
Caution,

1. To protect each Fan motor and Compressor from abnormal current, Over current relays <51C>, <51F1,2> are installed. Therefore, do not change factory set value of Over current relays.

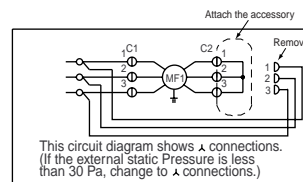
Option controller connection.

Symbol	No.	Function	PAC-204RC (Option) terminal no.
TB4	1	Power (Active)	24VAC(L)
	2	Cooling operation	COMP
	3	Fan operation	FAN HI
	4	Power (Neutral)	24VAC(N)

PE-8,10MYC-EU (STANDARD)



Symbol	Name
MC	Compressor motor
MF1	Fan motor (indoor)
MF2,3	Fan motor (outdoor)
52C	Contactora (compressor)
52F	Contactora (fan I/D)
TB1~5	Terminal block
CH	Crankcase heater
F1~3	Fuse (3.15A)
Tr	Transformer
49F	Internal thermostat (indoor fan)
49C	Internal thermostat (compressor)
51C	Over current relay (compressor)
51F1,2	Over current relay (fan/I/D/O/D)
63H	High-pressure switch
26L	Thermostat (freeze protection)
FZ	Auxiliary relay (fan)
CZ1, 2	Auxiliary relay (compressor)
30CZ, FZ	Auxiliary relay (check)
{SW1}	Switch (on)
{23WA}	Thermostat (room temp.)
C1~5	Connector
CR1, 2	Surge killer



- Note:
- The dotted lines show field wiring.
 - The figure in the parentheses show field supply parts.
 - Color of earth wire is yellow and green twisting.
 - Not specified color of wire is brown.
 - Specification subject to change without notice.

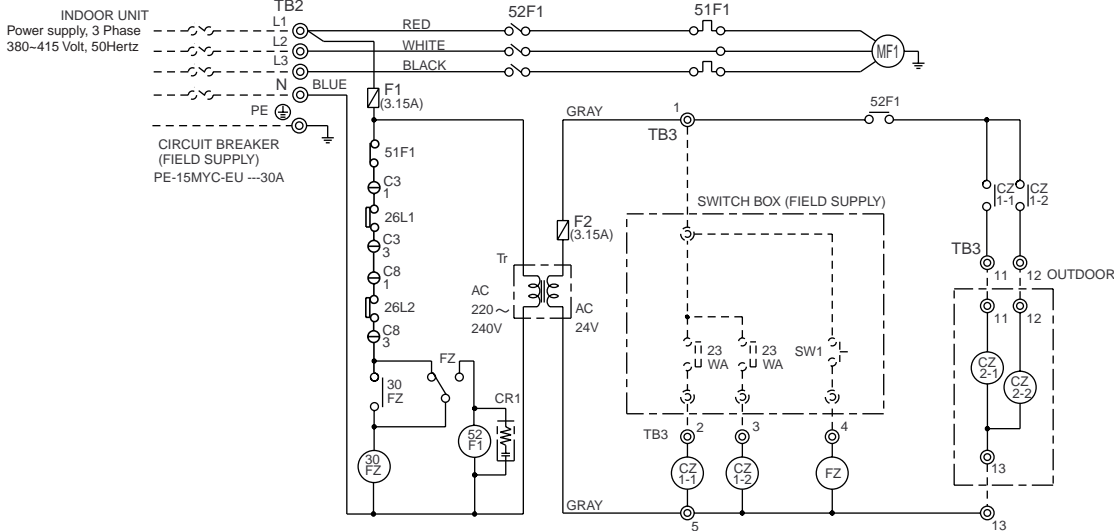
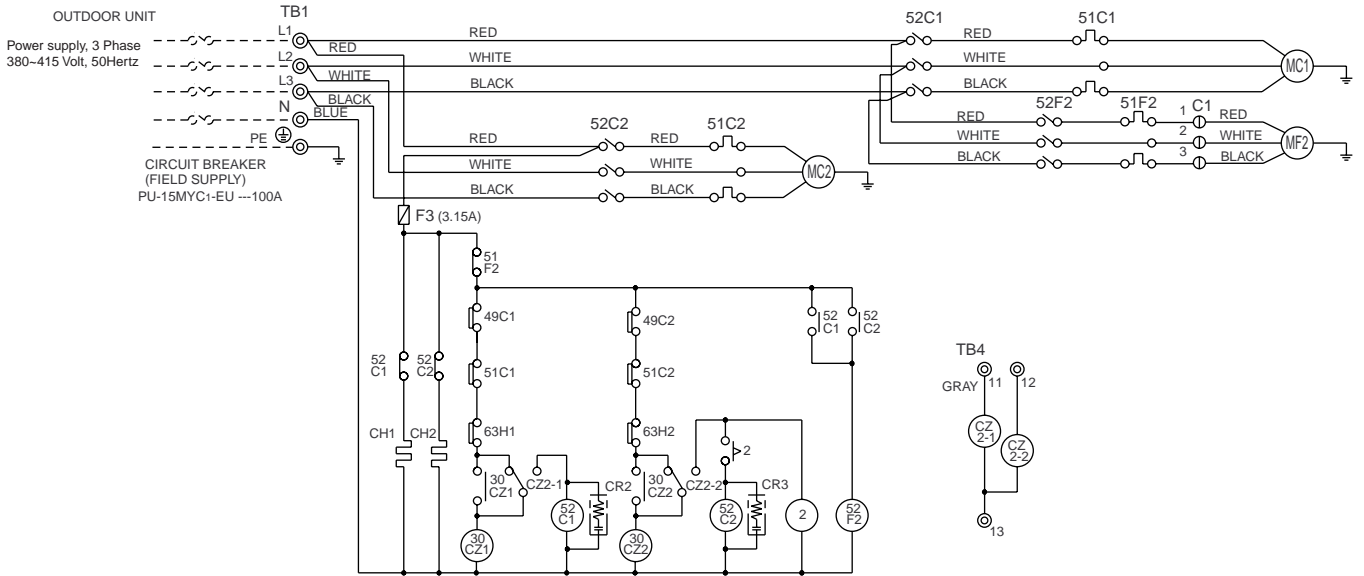
Caution,

- To protect each Fan motor and Compressor from abnormal current, Over current relays <51C>, <51F1,2> are installed. Therefore, do not change factory set value of Over current relays.

Option controller connection.

Symbol	No.	Function	PAC-204RC (Option) terminal no.
TB4	1	Power (Active)	24VAC(L)
	2	Cooling operation	COMP
	3	Fan operation	FAN HI
	4	Power (Neutral)	24VAC(N)

PE-15MYC-EU (STANDARD)



Symbol	Name
MC1,2	Compressor motor
MF1	Fan motor (indoor)
MF2	Fan motor (outdoor)
52C1,2	Contactors (compressor)
52F1	Contactors (fan I/D)
52F2	Contactors (fan O/D)
TB1~4	Terminal block
CH1,2	Crankcase heater
F1~3	Fuse (3.15A)
Tr	Transformer
49C1,2	Internal thermostat (compressor)
51C1,2	Over current relay (compressor)
51F1	Over current relay (fan I/D)
51F2	Over current relay (fan O/D)
63H1,2	High-pressure switch
26L1,2	Thermostat (freeze protection)
FZ	Auxiliary relay (fan)
30FZ	Auxiliary relay (fan)
CZ1-1,2/2-1,2	Auxiliary relay
30CZ1,2	Auxiliary relay (check)
<SW1>	Switch (on)
<23WA>	Thermostat (room temp.)
C1, 3, 8	Connector
CR1~3	Surge killer
2	Timer

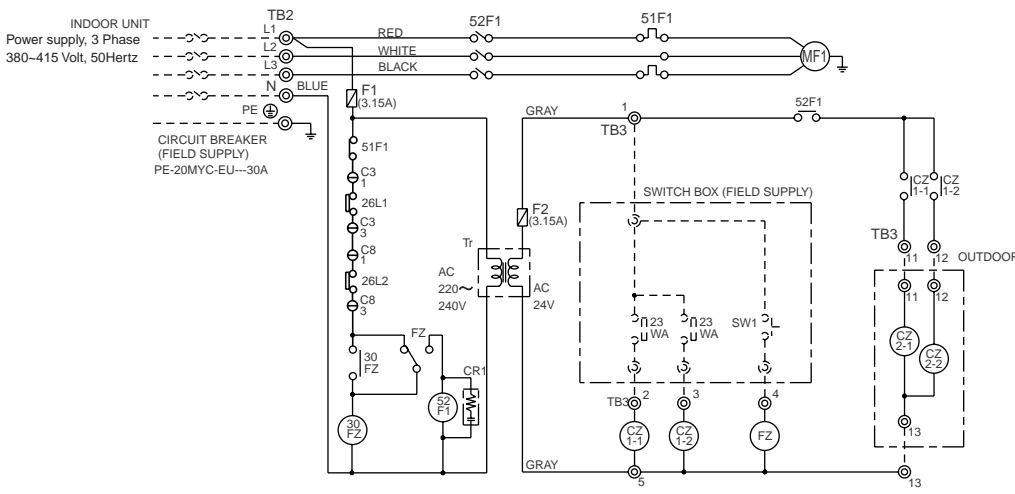
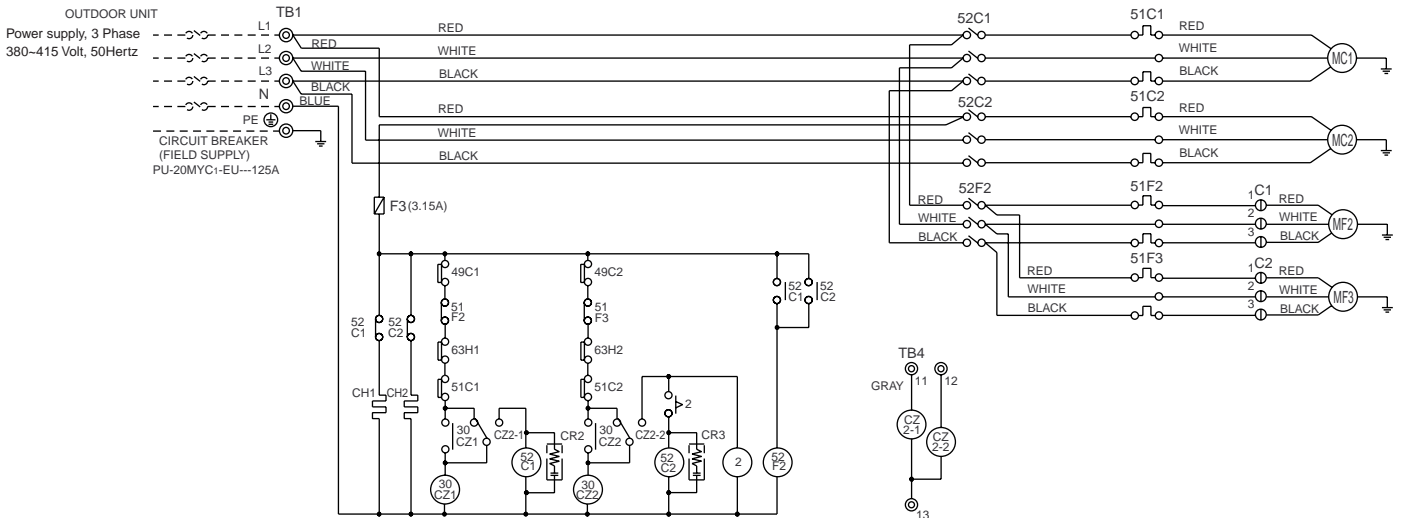
- Note: 1. The dotted lines show field wiring.
 2. The figure in the parentheses show field supply parts.
 3. Color of earth wire is yellow and green twisting.
 4. Not specified color of wire is brown.
 5. Specification subject to change without notice.

Caution,
 1. To protect each Fan motor and Compressor from abnormal current, Over current relays <51C1,2>, <51F1,2,3> are installed. Therefore, do not change factory set value of Over current relays.

Option controller connection.

Symbol	No.	Function	PAC-204RC (Option) terminal no.
TB3	1	Power (Active)	24VAC(L)
	2	Cooling operation	COMP1
	3	Cooling operation	COMP2
	4	Fan operation	FAN HI
	5	Power (Neutral)	24VAC(N)

PE-20MYC-EU (STANDARD)



Symbol	Name
MC1,2	Compressor motor
MF1	Fan motor (indoor)
MF2,3	Fan motor (outdoor)
52C1,2	Contactor (compressor)
52F1	Contactor (fan I/D)
52F2	Contactor (fan O/D)
TB1~4	Terminal block
CH1,2	Crankcase heater
F1~3	Fuse (3.15A)
Tr	Transformer
49C1,2	Internal thermostat(compressor)
51C1,2	Over current relay(compressor)
51F1,2	Over current relay(fanI/D)
51F2,3	Over current relay(fanO/D)
63H1,2	High-pressure switch
26L1,2	Thermostat (freeze protection)
FZ	Auxiliary relay (fan)
30FZ	Auxiliary relay (fan)
CZ1-1,2/2-1,2	Auxiliary relay
30CZ1,2	Auxiliary relay (check)
<SW1>	Switch (on)
<23WA>	Thermostat (room temp.)
C1~3, 8	Connector
CR1~3	Surge killer
2	Timer

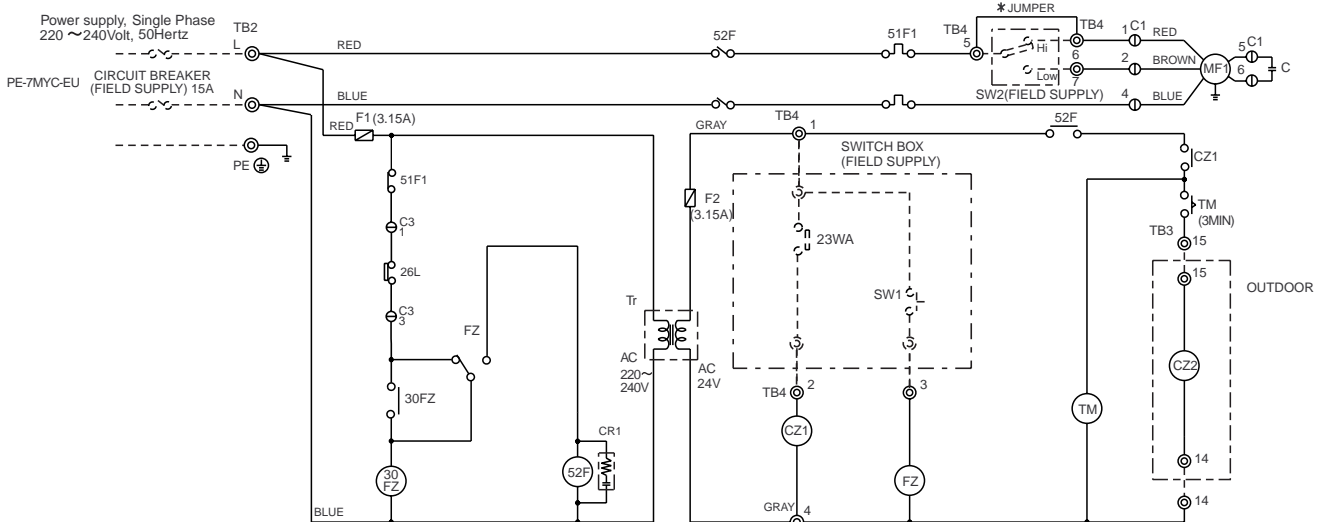
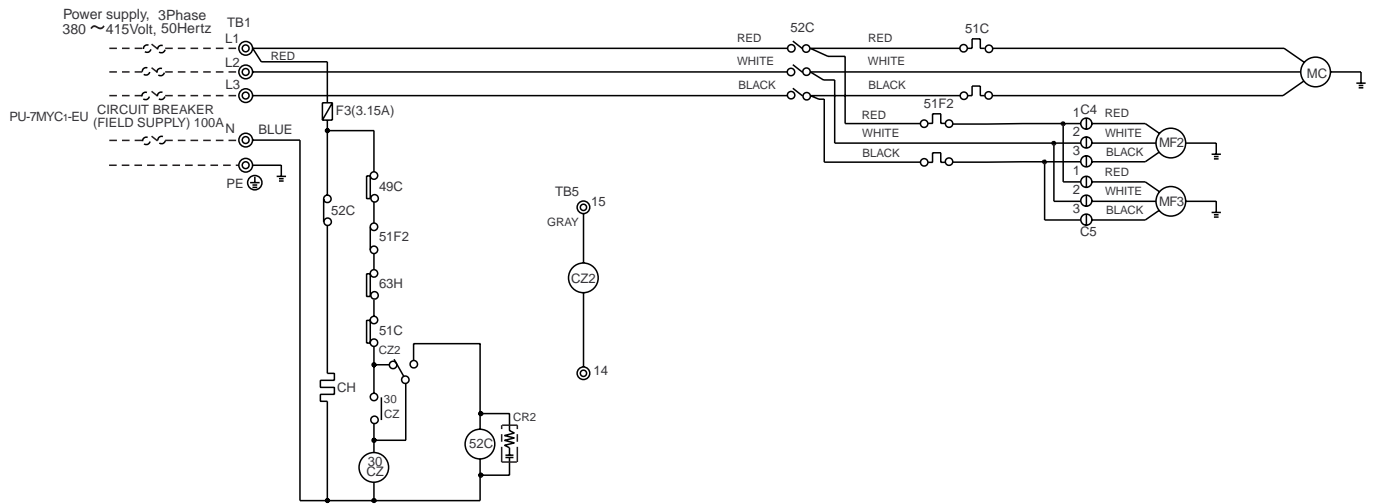
- Note:1.The dotted lines show field wiring.
 2.The figure in the parentheses show field supply parts.
 3.Color of earth wire is yellow and green twisting.
 4.Not specified color of wire is brown.
 5.Specification subject to change without notice.

Caution,
 1.To protect each Fan motor and Compressor from abnormal current, Over current relays <51C1,2>, <51F1,2,3> are installed. Therefore, do not change factory set value of Over current relays.

Option controller connection.

Symbol	No.	Function	PAC-204RC (Option) terminal no.
TB3	1	Power (Active)	24VAC(L)
	2	Cooling operation	COMP1
	3	Cooling operation	COMP2
	4	Fan operation	FAN HI
	5	Power (Neutral)	24VAC(N)

PE-7MYC-EU (SPECIAL ORDER : ANTI SHORT CYCLE TIMER)



Symbol	Name
MC	Compressor motor
MF1	Fan motor (indoor)
MF2,3	Fan motor (outdoor)
52C	Contacteur (compressor)
52F	Contacteur (fan I/D)
TB1~5	Terminal block
CH	Crankcase heater
F1~3	Fuse (3.15A)
Tr	Transformer
49C	Internal thermostat (compressor)
51C	Over current relay (compressor)
51F1,2	Over current relay (fan I/D, O/D)
63H	High-pressure switch
26L	Thermostat (freeze protection)
FZ	Auxiliary relay (fan)
CZ1, 2	Auxiliary relay (compressor)
30CZ, FZ	Auxiliary relay (check)
(SW1)	Switch (on)
(SW2)	Switch (Fan Hi-Low)
(23WA)	Thermostat (room temp.)
C	Run capacitor
C1, 3-5	Connector
CR1, 2	Surge killer
TM	Timer (Anti short cycle)

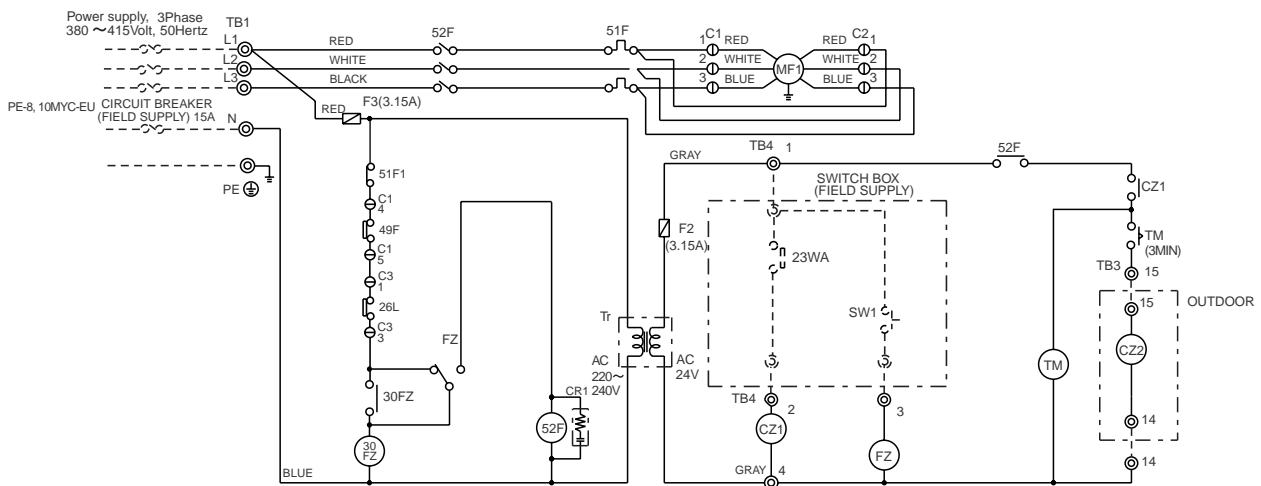
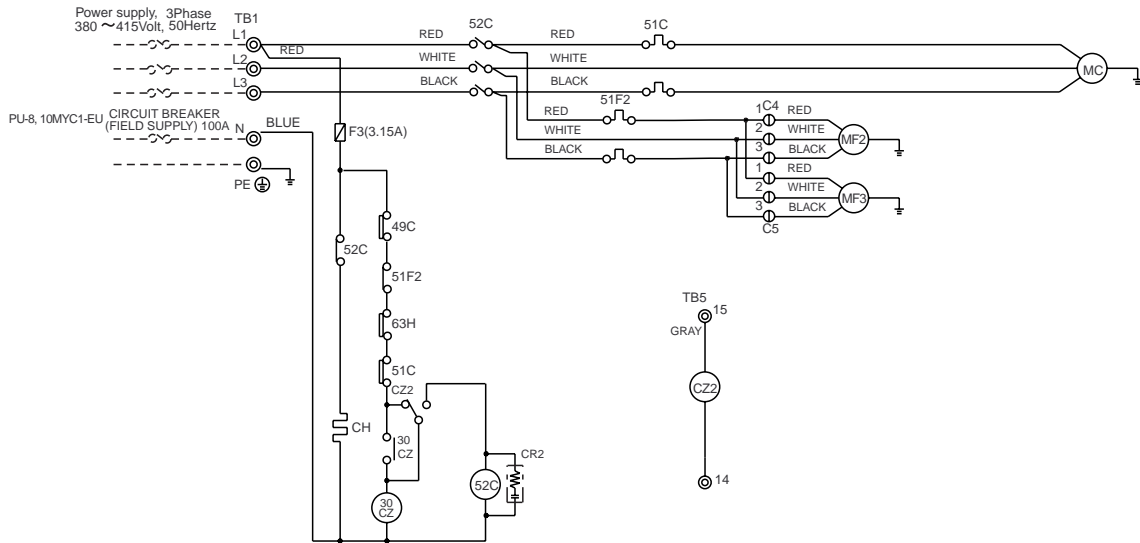
- Note: 1. The dotted lines show field wiring.
 2. The figure in the parentheses show field supply parts.
 3. Color of earth wire is yellow and green twisting.
 4. Not specified color of wire is brown.
 5. Please remove the jumper wire (*Mark) in the above diagram if you use the Switch <SW2> at local. If the Switch <SW> is not used, the Fan motor (indoor) drives at high speed.
 6. When PAC-204RC is used, Timer(TM) is unnecessary.
 7. Specification subject to change without notice.

Caution,
 1. To protect each Fan motor and Compressor from abnormal current, Over current relays <51C>, <51F1,2> are installed. Therefore, do not change factory set value of Over current relays.

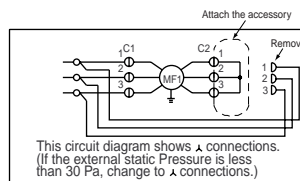
Option controller connection.

Symbol	No.	Function	PAC-204RC (Option) terminal no.
TB4	1	Power (Active)	24VAC(L)
	2	Cooling operation	COMP
	3	Fan operation	FAN HI
	4	Power (Neutral)	24VAC(N)

PE-8,10MYC-EU (SPECIAL ORDER : ANTI SHORT CYCLE TIMER)



Symbol	Name
MC	Compressor motor
MF1	Fan motor (indoor)
MF2,3	Fan motor (outdoor)
52C	Contactora (compressor)
52F	Contactora (fan I/D)
TB1~5	Terminal block
CH	Crankcase heater
F1~3	Fuse (3.15A)
Tr	Transformer
49F	Internal thermostat (indoor fan)
49C	Internal thermostat (compressor)
51C	Over current relay (compressor)
51F1,2	Over current relay (fan I/D, O/D)
63H	High-pressure switch
26L	Thermostat (freeze protection)
FZ	Auxiliary relay (fan)
CZ1, 2	Auxiliary relay (compressor)
30CZ, FZ	Auxiliary relay (check)
(SW1)	Switch (on)
(23WA)	Thermostat (room temp.)
C1-5	Connector
CR1, 2	Surge killer
TM	Timer (Anti short cycle)



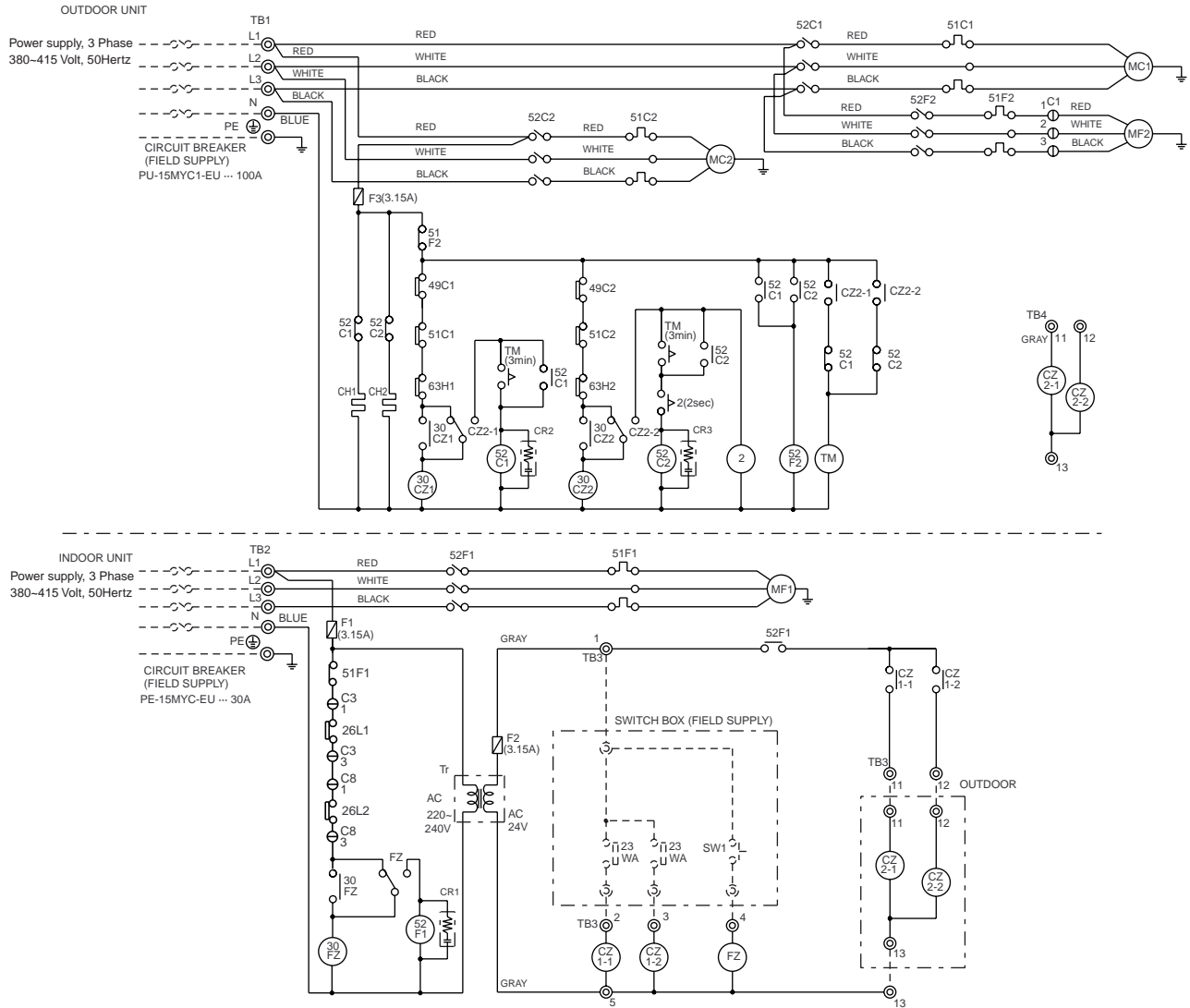
- Note: 1. The dotted lines show field wiring.
 2. The figure in the parentheses show field supply parts.
 3. Color of earth wire is yellow and green twisting.
 4. Not specified color of wire is brown.
 5. When PAC-204RC is used, Timer(TM) is unnecessary.
 6. Specification subject to change without notice.

Caution,
 1. To protect each Fan motor and Compressor from abnormal current, Over current relays <51C>, <51F1,2> are installed. Therefore, do not change factory set value of Over current relays.

Option controller connection.

Symbol	No.	Function	PAC-204RC (Option) terminal no.
TB4	1	Power (Active)	24VAC(L)
	2	Cooling operation	COMP
	3	Fan operation	FAN HI
	4	Power (Neutral)	24VAC(N)

PE-15MYC-EU (SPECIAL ORDER : ANTI SHORT CYCLE TIMER)



Symbol	Name
MC1,2	Compressor motor
MF1	Fan motor (indoor)
MF2	Fan motor (outdoor)
52C1,2	Contactora (compressor)
52F1	Contactora (fan I/D)
52F2	Contactora (fan O/D)
TB1~4	Terminal block
CH1,2	Crankcase heater
F1~3	Fuse (3.15A)
Tr	Transformer
49C1,2	Internal thermostat(compressor)
51C1,2	Over current relay(compressor)
51F1	Over current relay(fanI/D)
51F2	Over current relay(fanO/D)
63H1,2	High-pressure switch
26L1,2	Thermostat (freeze protection)
FZ	Auxiliary relay (fan)
30FZ	Auxiliary relay (fan)
CZ1-1,2/2-1,2	Auxiliary relay
30CZ1,2	Auxiliary relay (check)
<SW1>	Switch (on)
<23WA>	Thermostat (room temp.)
C1, 3, 8	Connector
CR1~3	Surge killer
2	Timer
TM	Timer (Anti short cycle.)

- Note:1. The dotted lines show field wiring.
 2. The figure in the parentheses show field supply parts.
 3. Color of earth wire is yellow and green twisting.
 4. Not specified color of wire is brown.
 5. When PAC-204RC is used, Timer(TM) is unnecessary.
 6. Specification subject to change without notice.

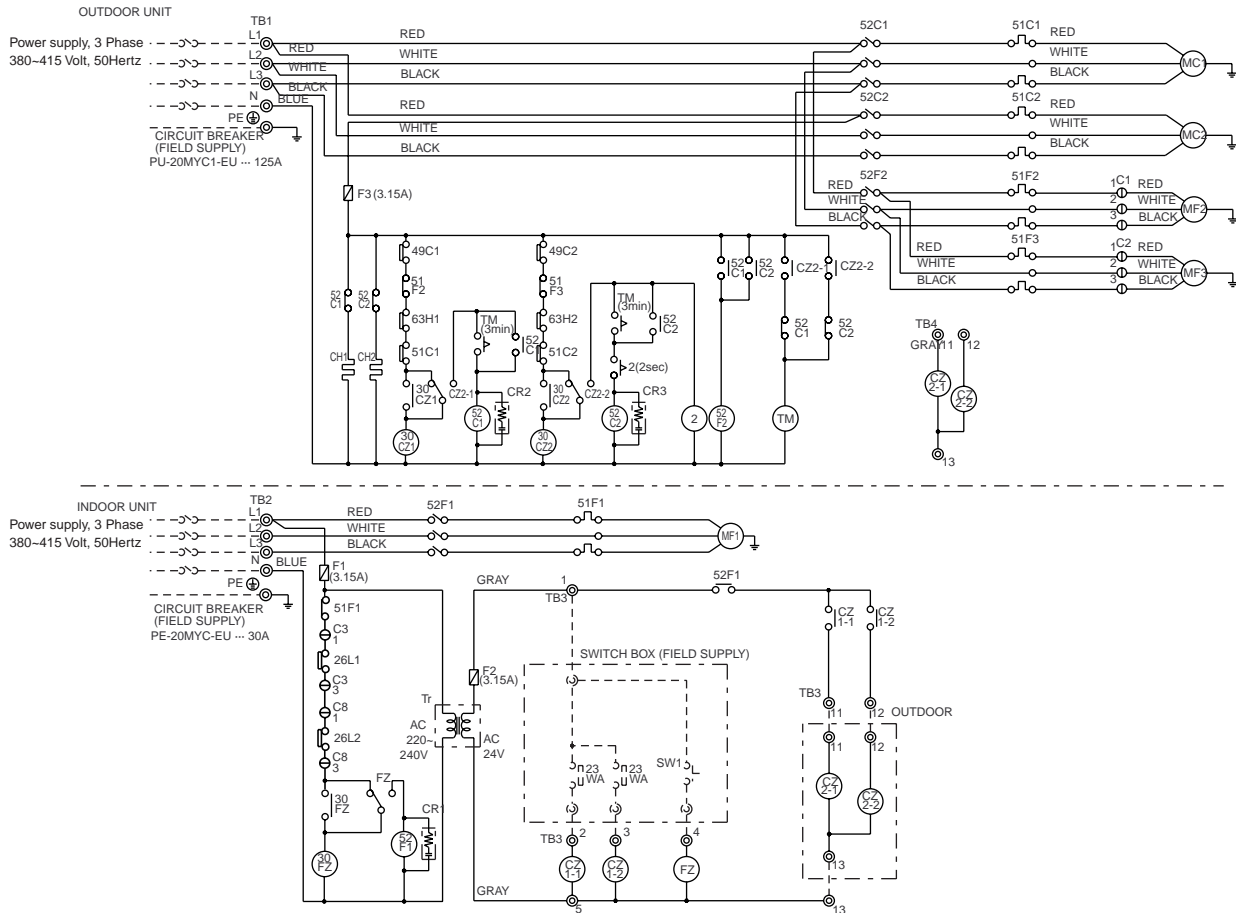
Caution,

- To protect each Fan motor and Compressor from abnormal current, Over current relays-<51C1,2>,-<51F1,2,3>are installed. Therefore, do not change factory set value of Over current relays.
- To protect the starting Compressor-<MC1,2>at the same time, Timer <2> is installed. Therefore, do not change factory set value of this Timer.
- To protect the starting Compressor-<52C1,2>frequently, Timer <TM> is installed. Therefore, do not change factory set value of this Time

Option controller connection.

Symbol	No.	Function	PAC-204RC (Option) terminal no.
TB3	1	Power (Active)	24VAC(L)
	2	Cooling operation	COMP1
	3	Cooling operation	COMP2
	4	Fan operation	FAN HI
	5	Power (Neutral)	24VAC(N)

PE-20MYC-EU (SPECIAL ORDER : ANTI SHORT CYCLE TIMER)



Symbol	Name
MC1,2	Compressor motor
MF1	Fan motor (indoor)
MF2,3	Fan motor (outdoor)
52C1,2	Contactora (compressor)
52F1	Contactora (fan I/D)
52F2	Contactora (fan O/D)
TB1-4	Terminal block
CH1,2	Crankcase heater
F1-3	Fuse (3.15A)
Tr	Transformer
49C1,2	Internal thermostat(compressor)
51C1,2	Over current relay(compressor)
51F1	Over current relay(fanI/D)
51F2,3	Over current relay(fanO/D)
63H1,2	High-pressure switch
26L1,2	Thermostat (freeze protection)
FZ	Auxiliary relay (fan)
30FZ	Auxiliary relay (fan)
CZ1-1,2/2-1,2	Auxiliary relay
30CZ1,2	Auxiliary relay (check)
<SW1>	Switch (on)
<T23WA>	Thermostat (room temp.)
C1-3, 8	Connector
CR1-3	Surge killer
2	Timer
TM	Timer (Anti short cycle.)

- Note:1.The dotted lines show field wiring.
 2.The figure in the parentheses show field supply parts.
 3.Color of earth wire is yellow and green twisting.
 4.Not specified color of wire is brown.
 5.When PAC-204RC is used, Timer(TM)is unnecessary.
 6.Specification subject to change without notice.

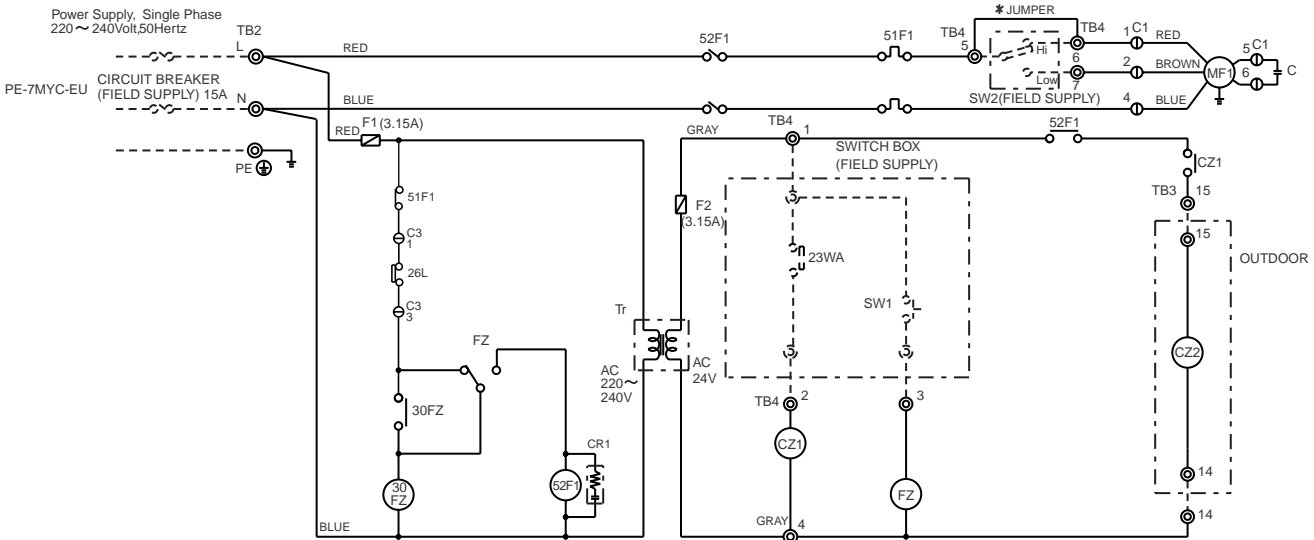
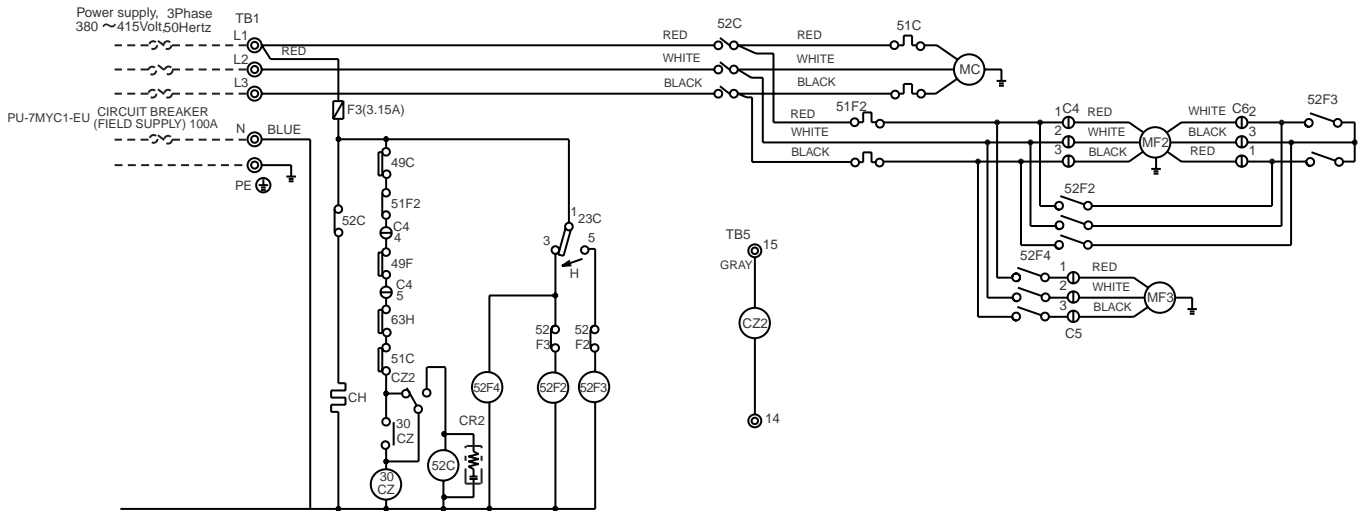
Caution,

- To protect each Fan motor and Compressor from abnormal current, Over current relays<51C1,2>,<51F1,2,3>are installed. Therefore, do not change factory set value of Over current relays.
- To protect the starting Compressor <MC1,2>at the same time, Timer <2> is installed. Therefore, do not change factory set value of this Tim
- To protect the starting Compressor<52C1,2> frequently, Timer <TM> is installed. Therefore, do not change factory set value of this Ti

Option controller connection.

Symbol	No.	Function	PAC-204RC (Option) terminal no.
TB3	1	Power (Active)	24VAC(L)
	2	Cooling operation	COMP1
	3	Cooling operation	COMP2
	4	Fan operation	FAN HI
	5	Power (Neutral)	24VAC(N)

PE-7MYC-EU (SPECIAL ORDER : LOW AMBIENT COOLING)



Symbol	Name
MC	Compressor motor
MF1	Fan motor (indoor)
MF2,3	Fan motor (outdoor)
52C	Contacteur (compressor)
52F1	Contacteur (fan I/D)
52F2~4	Contacteur (fan O/D)
23C	Ambient temperature
TB1~5	Terminal block
CH	Crankcase heater
F1~3	Fuse (3.15A)
Tr	Transformer
49C	Internal thermostat (compressor)
49F	Internal thermostat (fan O/D)
51C	Over current relay (compressor)
51F1,2	Over current relay (fan I/D/O/D)
26L	Thermostat (freeze protection)
63H	High-pressure switch
FZ	Auxiliary relay (fan)
CZ1, 2	Auxiliary relay (compressor)
30CZ, FZ	Auxiliary relay (check)
(SW1)	Switch (on)
(SW2)	Switch (Fan Hi-Low)
(23WA)	Thermostat (room temp.)
C	Run capacitor
C1, 3-6	Connector
CR1, 2	Surge killer

- Note:
- The dotted lines show field wiring.
 - The figure in the parentheses show field supply parts.
 - Color of earth wire is yellow and green twisting.
 - Not specified color of wire is brown.
 - Please remove the jumper wire (*Mark) in the above diagram if you use the Switch <SW2> at local. If the Switch <SW2> is not used, the Fan motor (indoor) drives at high speed.
 - Specification subject to change without notice.

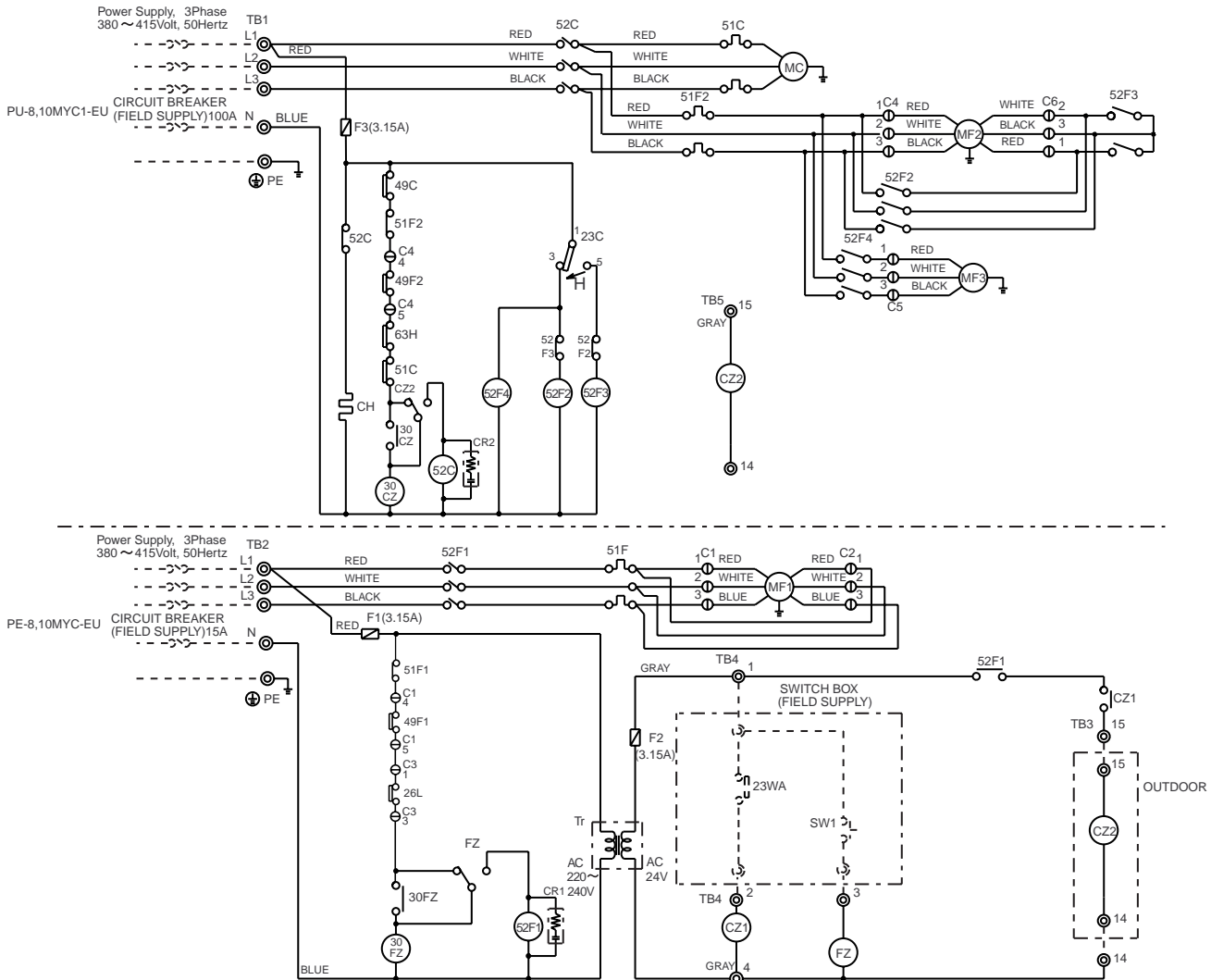
Caution,

- To protect each Fan motor and Compressor from abnormal current, Over current relays <51C>, <51F1,2> are installed. Therefore, do not change factory set value of Over current relays.

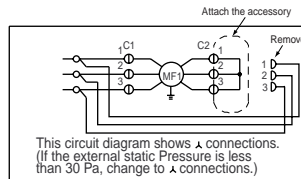
Option controller connection.

Symbol	No.	Function	PAC-204RC (Option) terminal no.
TB4	1	Power (Active)	24VAC(L)
	2	Cooling operation	COMP
	3	Fan operation	FAN HI
	4	Power (Neutral)	24VAC(N)

PE-8,10MYC-EU (SPECIAL ORDER : LOW AMBIENT COOLING)



Symbol	Name
MC	Compressor motor
MF1	Fan motor (indoor)
MF2,3	Fan motor (outdoor)
52C	Contactor (compressor)
52F1	Contactor (fan I/D)
52F2~4	Contactor (fan O/D)
23C	Ambient temperature
TB1~5	Terminal block
CH	Crankcase heater
F1~3	Fuse (3.15A)
Tr	Transformer
49F1	Internal thermostat (indoor fan)
49F2	Internal thermostat (outdoor fan)
49C	Internal thermostat (compressor)
51C	Over current relay (compressor)
51F1,2	Over current relay (fan I/D, O/D)
26L	Thermostat (freeze protection)
63H	High-pressure switch
FZ	Auxiliary relay (fan)
CZ1, 2	Auxiliary relay (compressor)
30CZ, FZ	Auxiliary relay (check)
{SW1}	Switch (on)
{23WA}	Thermostat (room temp.)
C1~6	Connector
CR1, 2	Surge killer



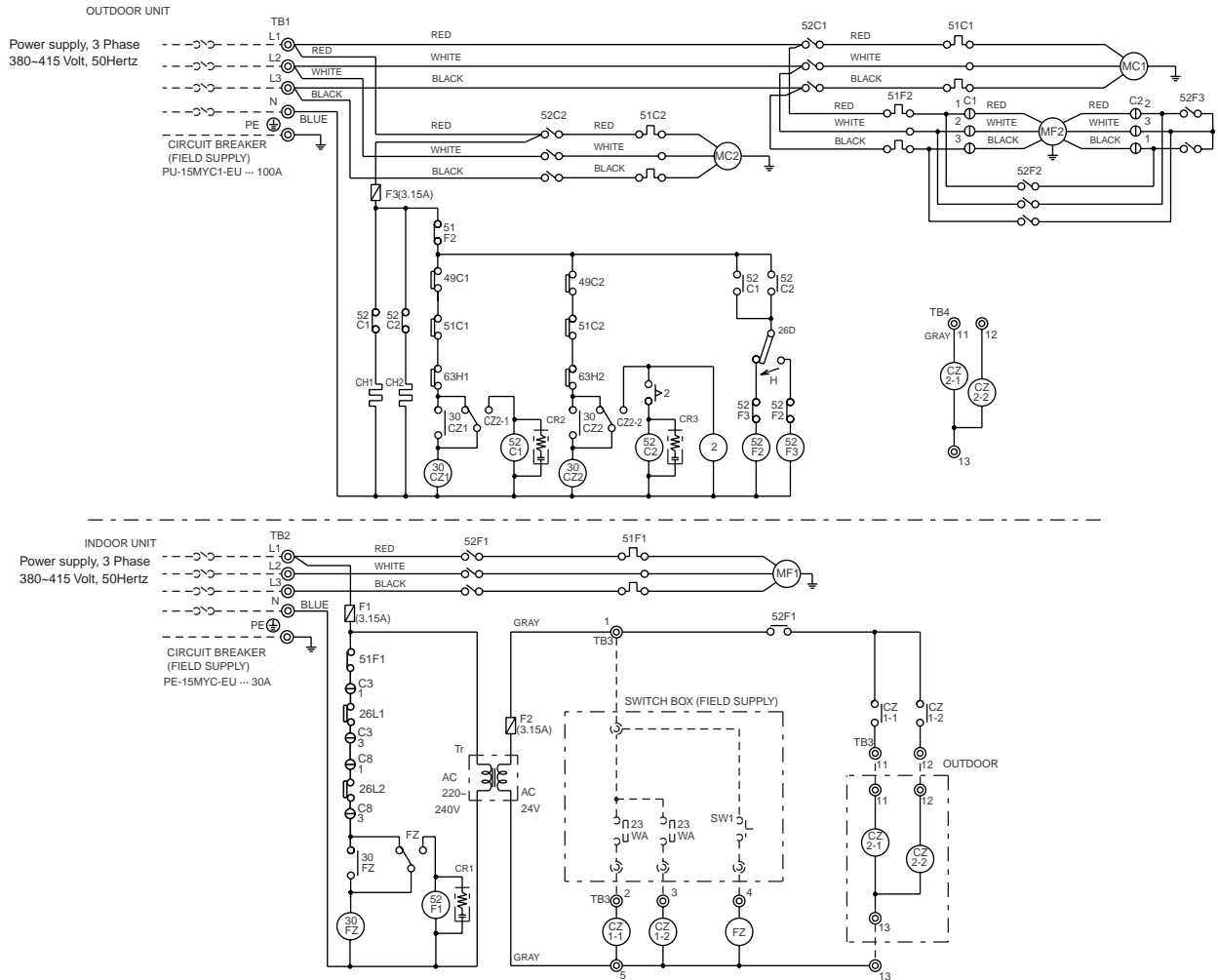
- Note:
- The dotted lines show field wiring.
 - The figure in the parentheses show field supply parts.
 - Color of earth wire is yellow and green twisting.
 - Not specified color of wire is brown.
 - Specification subject to change without notice.

- Caution:
- To protect each Fan motor and Compressor from abnormal current, Over current relays <51C>, <51F1,2> are installed. Therefore, do not change factory set value of Over current relays.

Option controller connection.

Symbol	No.	Function	PAC-204RC (Option) terminal no.
TB4	1	Power (Active)	24VAC(L)
	2	Cooling operation	COMP
	3	Fan operation	FAN HI
	4	Power (Neutral)	24VAC(N)

PE-15MYC-EU (SPECIAL ORDER : LOW AMBIENT COOLING)



Symbol	Name
MC1,2	Compressor motor
MF1	Fan motor (indoor)
MF2	Fan motor (outdoor)
52C1,2	Contactora (compressor)
52F1	Contactora (fan I/D)
52F2	Contactora (fan O/D)
TB1~4	Terminal block
CH1,2	Crankcase heater
F1~3	Fuse (3.15A)
Tr	Transformer
49C1,2	Internal thermostat (compressor)
51C1,2	Over current relay (compressor)
51F1	Over current relay (fan I/D)
51F2,3	Over current relay (fan O/D)
63H1,2	High-pressure switch
26L1,2	Thermostat (freeze protection)
FZ	Auxiliary relay (fan)
30FZ	Auxiliary relay (fan)
CZ1-1,2/2-1,2	Auxiliary relay
30CZ1,2	Auxiliary relay (check)
<SW1>	Switch (on)
<23WA>	Thermostat (room temp.)
C1~3, 8	Connector
CR1~3	Surge killer
2	Timer
26D	Thermostat (ambient temp.)

- Note: 1. The dotted lines show field wiring.
 2. The figure in the parentheses show field supply parts.
 3. Color of earth wire is yellow and green twisting.
 4. Not specified color of wire is brown.
 5. Specification subject to change without notice.

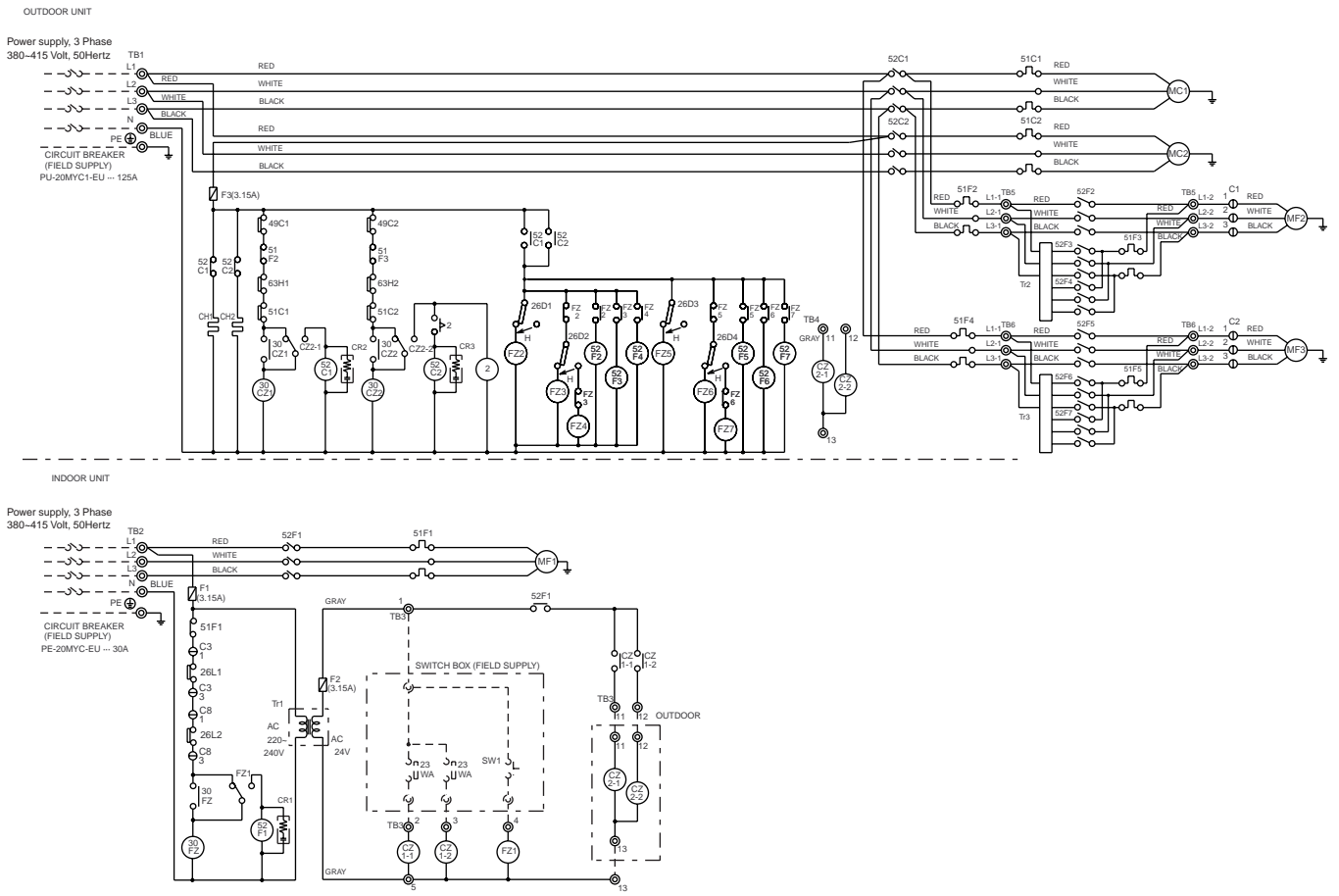
Caution,

- To protect each Fan motor and Compressor from abnormal current, Over current relays <51C1,2>, <51F1,2> are installed. Therefore, do not change factory set value of Over current relays.
- To protect the starting Compressor <MC1,2> at the same time, Timer <2> is installed. Therefore, do not change factory set value of this Timer.

Option controller connection.

Symbol	No.	Function	PAC-204RC (Option) terminal no.
TB3	1	Power (Active)	24VAC(L)
	2	Cooling operation	COMP1
	3	Cooling operation	COMP2
	4	Fan operation	FAN HI
	5	Power (Neutral)	24VAC(N)

PE-20MYC-EU (SPECIAL ORDER : LOW AMBIENT COOLING)



Symbol	Name
MC1,2	Compressor motor
MF1	Fan motor (indoor)
MF2,3	Fan motor (outdoor)
52C1,2	Contactor (compressor)
52F1	Contactor (fan I/D)
52F2-7	Contactor (fan O/D)
TB1-6	Terminal block
CH1,2	Crankcase heater
F1-3	Fuse (3.15A)
Tr1-3	Transformer
49C1,2	Internal thermostat(compressor)
51C1,2	Over current relay(compressor)
51F1	Over current relay(fanI/D)
51F2-F5	Over current relay(fanO/D)
63H1,2	High-pressure switch
26L1,2	Thermostat (freeze protection)
FZ1	Auxiliary relay (fanI/D)
30FZ	Auxiliary relay (fanI/D)
CZ1-1,2/2-1,2	Auxiliary relay
30CZ1,2	Auxiliary relay (check)
<SW1>	Switch (on)
<23WA>	Thermostat (room temp.)
C1-3, 8	Connector
CR1-3	Surge killer
2	Timer
26D1-4	Thermostat (ambient temp.)
FZ2-7	Auxiliary relay (fan O/D)

- Note: 1. The dotted lines show field wiring.
 2. The figure in the parentheses show field supply parts.
 3. Color of earth wire is yellow and green twisting.
 4. Not specified color of wire is brown.
 5. Specification subject to change without notice.

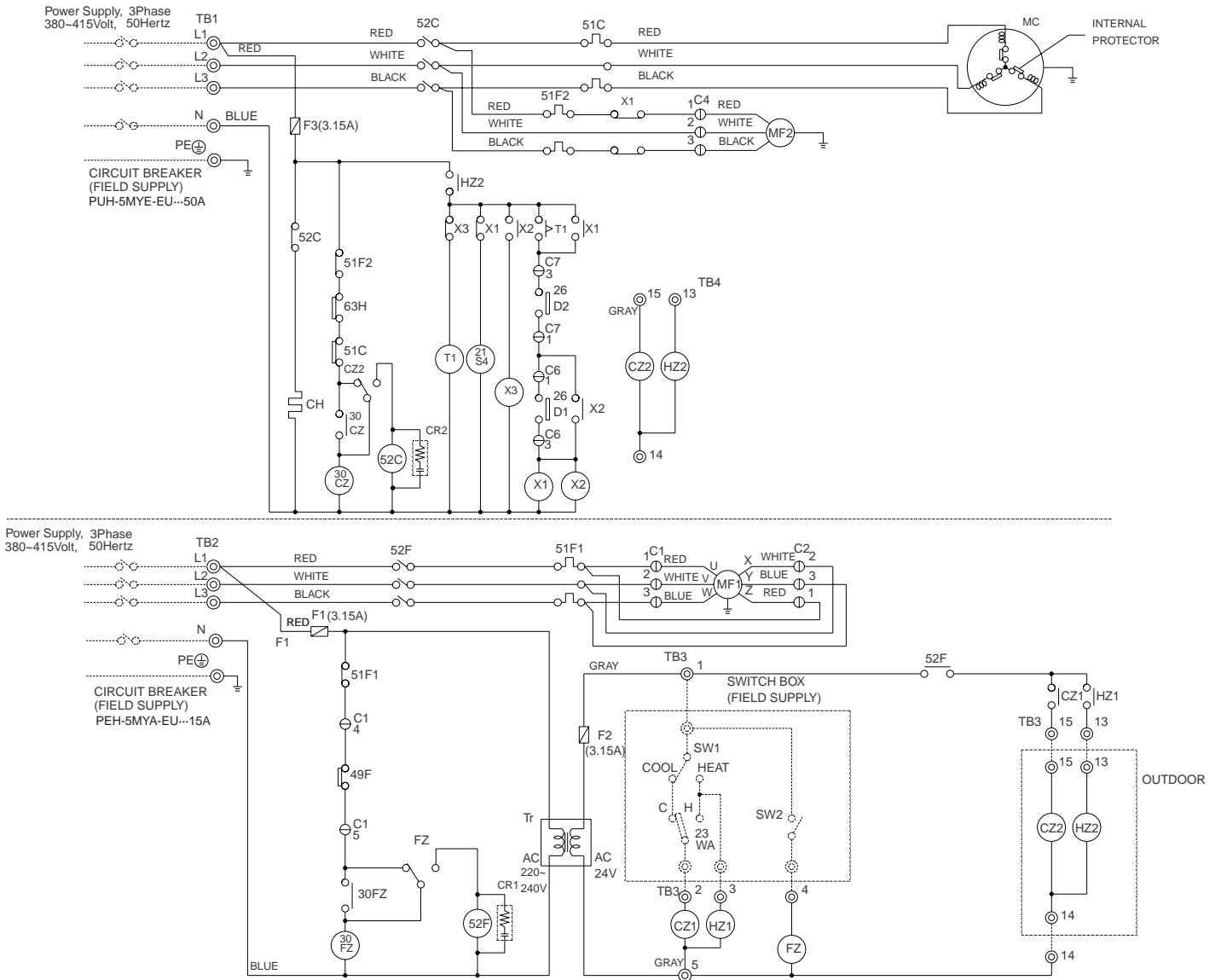
Caution,

- To protect each Fan motor and Compressor from abnormal current, Over current relays <51C1,2>, <51F1-5> are installed. Therefore, do not change factory set value of Over current relays.
- To protect the starting Compressor <MC1,2> at the same time, Timer <2> is installed. Therefore, do not change factory set value of this Timer.

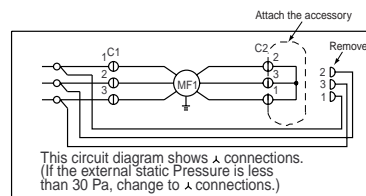
Option controller connection.

Symbol	No	Function	PAC-204RC (Option) terminal no.
TB3	1	Power (Active)	24VAC(L)
	2	Cooling operation	COMP1
	3	Cooling operation	COMP2
	4	Fan operation	FAN HI
	5	Power (Neutral)	24VAC(N)

PEH-5MYA-EU (STANDARD)



Symbol	Name
MC	Compressor motor
MF1	Fan motor (indoor)
MF2	Fan motor (outdoor)
52C	Contactur (compressor)
52F	Contactur (fan I/D)
TB1-4	Terminal block
CH	Crankcase heater
F1-3	Fuse (3.15A)
Tr	Transformer
49F	Internal thermostat(indoor fan)
51C	Over current relay(compressor)
51F1,2	Over current relay(fan/I/D,O/D)
63H	High-pressure switch
26D1,2	Thermostat (defrost)
21S4	4-Way valve
FZ	Auxiliary relay (fan)
CZ1,2	Auxiliary relay (compressor)
HZ1,2	Auxiliary relay (4-way valve)
30CZ,FZ	Auxiliary relay (check)
X1	Contactur (fan O/D)
X2,3	Auxiliary relay (defrost)
<SW1>	Switch (operation mode)
<SW2>	Switch (on)
<23WA>	Thermostat (room temp.)
C1,2,4,6,7	Connector
T1	Timer (defrost)
CR1,2	Surge killer



- Note:1.The dotted lines show field wiring.
2.The figure in the parentheses show field supply parts.
3.Color of earth wire is yellow and green twisting.
4.Not specified color of wire is brown.
5.Specification subject to change without notice.

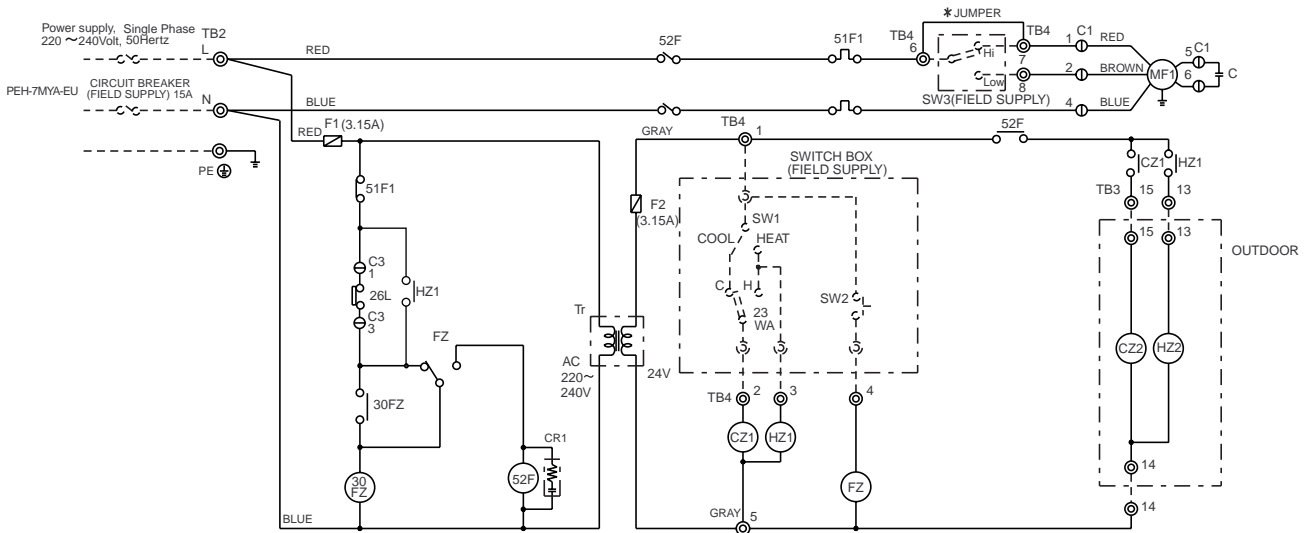
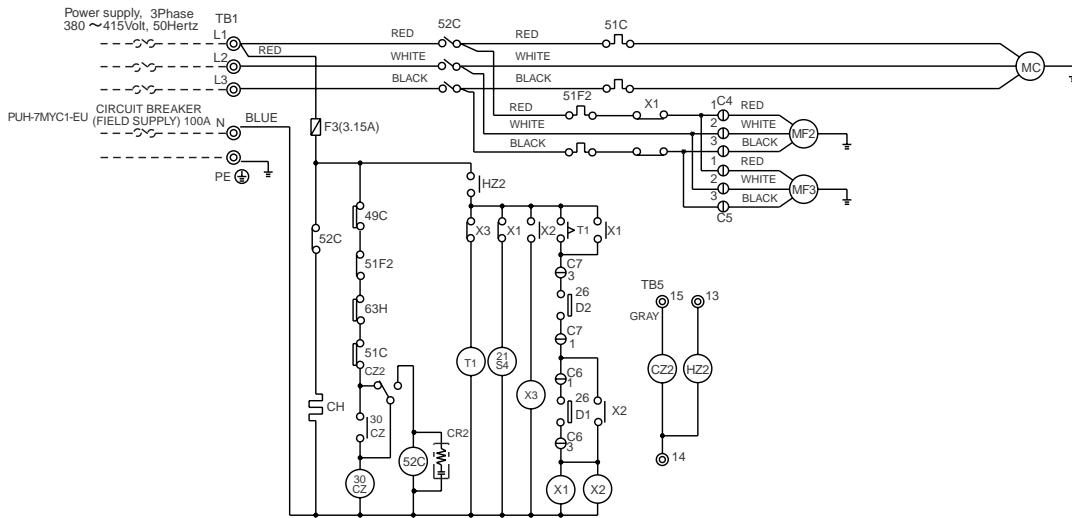
Caution,

1.To protect each Fan motor and Compressor from abnormal current, Over current relays<51C>,<51F1,2>are installed. Therefore, do not change factory set value of Over current relays.

Optional controller connection.

Symbol	No.	Function	PAC-204RC (Option) terminal no.
TB3	1	Power (Active)	24VAC(L)
	2	Cooling operation	COMP1
	3	Revercing Valve for Heating operation	4VW
	4	Fan operation	FAN HI
	5	Power (Neutral)	24VAC(N)

PEH-7MYA-EU (STANDARD)



Symbol	Name
MC	Compressor motor
MF1	Fan motor (indoor)
MF2,3	Fan motor (outdoor)
52C	Contactors (compressor)
52F	Contactors (fan I/D)
TB1~5	Terminal block
CH	Crankcase heater
F1~3	Fuse (3.15A)
Tr	Transformer
49C	Internal thermostat (compressor)
51C	Over current relay (compressor)
51F1,2	Over current relay (fan I/D, O/D)
63H	High-pressure switch
26L	Thermostat (freeze protection)
26D1,2	Thermostat (defrost)
21S4	4-Way valve
FZ	Auxiliary relay (fan)
CZ1, 2	Auxiliary relay (compressor)
HZ1, 2	Auxiliary relay (4-way valve)
30CZ, FZ	Auxiliary relay (check)
X1	Contactors (fan O/D)
X2,3	Auxiliary relay (defrost)
(SW1)	Switch (operation mode)
(SW2)	Switch (on)
(SW3)	Switch (Fan Hi-Low)
(23WA)	Thermostat (room temp.)
C	Run capacitor
C1, C3~7	Connectors
T1	Timer (defrost)
CR1, 2	Surge protector

- Note: 1. The dotted lines show field wiring.
 2. The figure in the parentheses show field supply parts.
 3. Color of earth wire is yellow and green twisting.
 4. Not specified color of wire is brown.
 5. Please remove the jumper wire (*Mark) in the above diagram if you use the Switch <SW3> at local. If the Switch <SW3> is not used, the Fan motor (indoor) drives at high speed.
 6. Specification subject to change without notice.

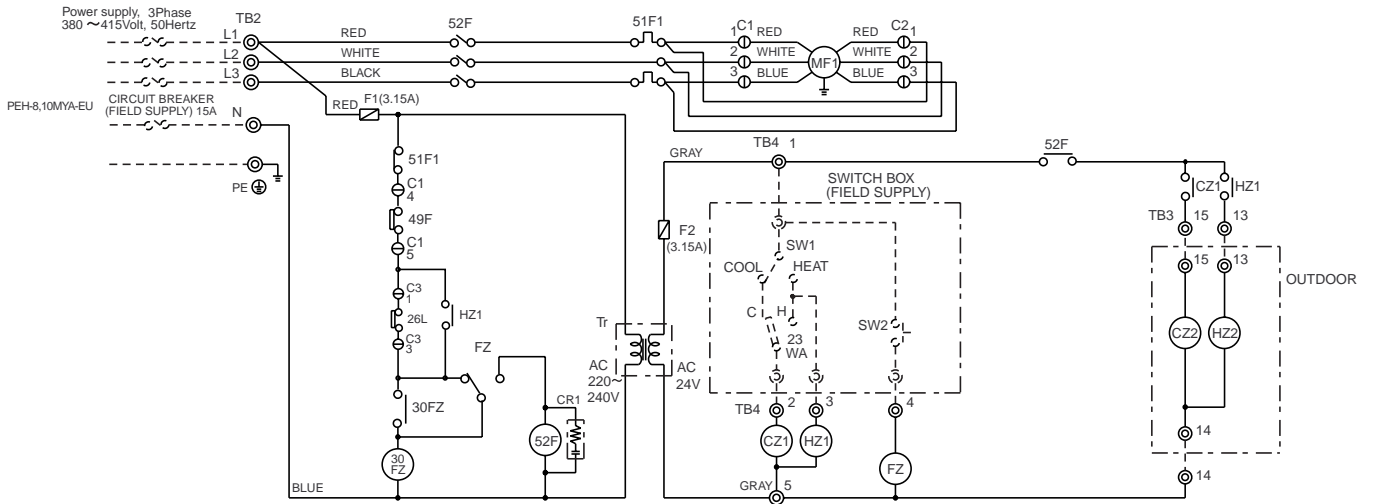
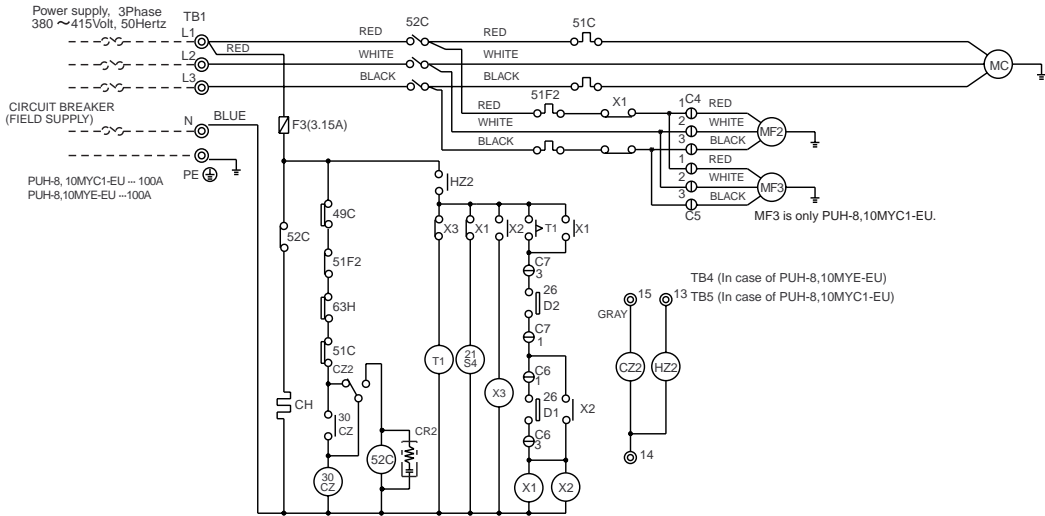
Caution,

1. To protect each Fan motor and Compressor from abnormal current, Over current relays <51C>, <51F1,2> are installed. Therefore, do not change factory set value of Over current relays.

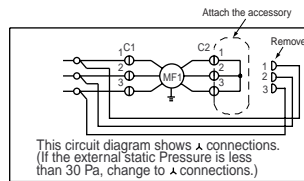
Option controller connection.

Symbol	No.	Function	PAC-204RC (Option) terminal no.
TB3	1	Power (Active)	24VAC(L)
	2	Cooling or Heating operation	COMP
	3	Reversing valve for Heating operation	4WV
	4	Fan operation	FAN HI
	5	Power (Neutral)	24VAC(N)

PEH-8,10MYA-EU (STANDARD)



Symbol	Name
MC	Compressor motor
MF1	Fan motor (indoor)
MF2,3	Fan motor (outdoor)
52C	Contactor (compressor)
52F	Contactor (fan I/D)
TB1~5	Terminal block
CH	Crankcase heater
F1~3	Fuse (3.15A)
Tr	Transformer
49F	Internal thermostat (indoor fan)
49C	Internal thermostat (compressor)
51C	Over current relay (compressor)
51F1,2	Over current relay (fan I/D, O/D)
63H	High-pressure switch
26L	Thermostat (freeze protection)
26D1,2	Thermostat (defrost)
21S4	4-Way valve
FZ	Auxiliary relay (fan)
CZ1, 2	Auxiliary relay (compressor)
HZ1, 2	Auxiliary relay (4-way valve)
30CZ, FZ	Auxiliary relay (check)
X1	Contactor (fan O/D)
X2,3	Auxiliary relay (defrost)
(SW1)	Switch (operation mode)
(SW2)	Switch (on)
(23WA)	Thermostat (room temp.)
C1-7	Connector (C5 is PUH-8,10MYC1-EU only.)
T1	Timer (defrost)
CR1, 2	Surge killer



- Note:
- The dotted lines show field wiring.
 - The figure in the parentheses show field supply parts.
 - Color of earth wire is yellow and green twisting.
 - Not specified color of wire is brown.
 - Specification subject to change without notice.

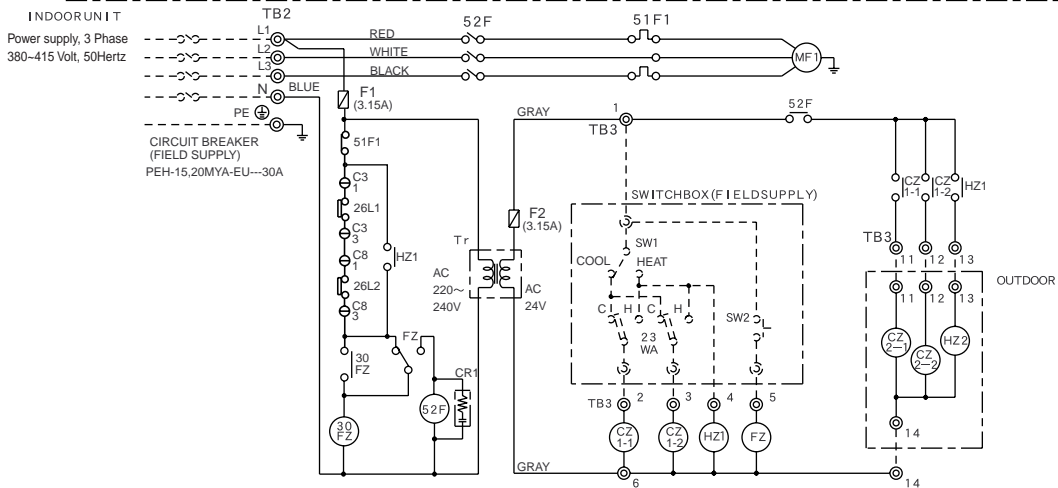
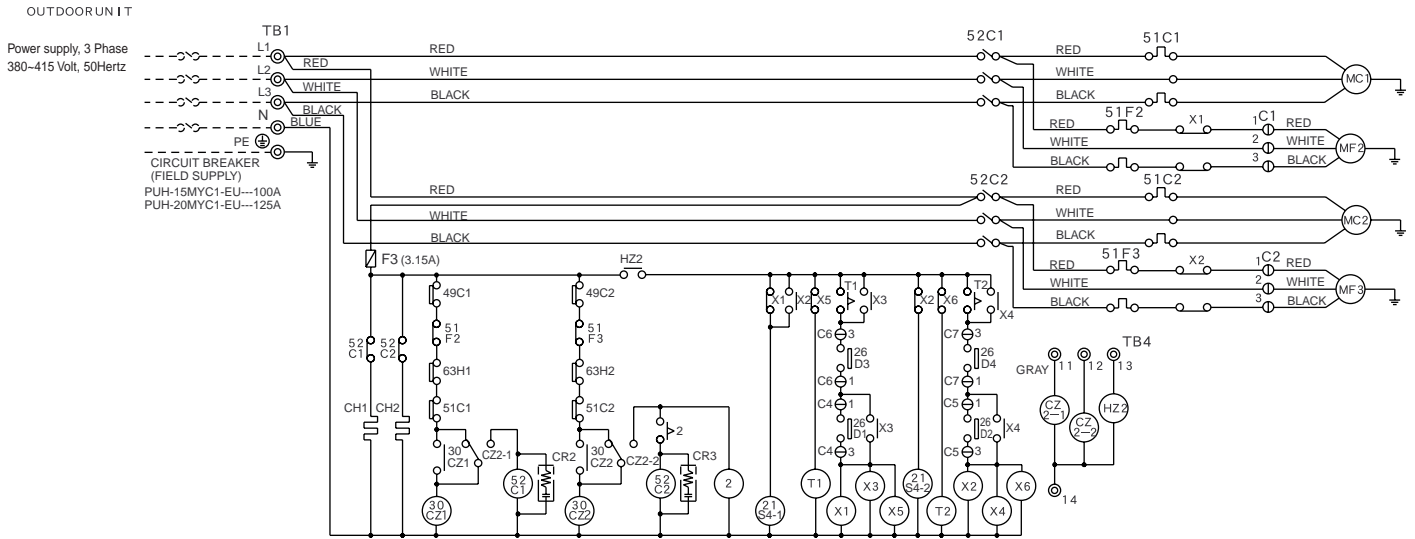
Caution:

- To protect each Fan motor and Compressor from abnormal current, Over current relays <51C>, <51F1,2> are installed. Therefore, do not change factory set value of Over current relays.

Option controller connection.

Symbol	No.	Function	PAC-204RC (Option) terminal no.
TB4	1	Power (Active)	24VAC(L)
	2	Cooling or Heating operation	COMP
	3	Reversing valve for Heating operation	4WV
	4	Fan operation	FAN HI
	5	Power (Neutral)	24VAC(N)

PEH-15,20MYA-EU (STANDARD)



Symbol	Name
MC1,2	Compressor motor
MF1	Fan motor (indoor)
MF2,3	Fan motor (outdoor)
52C1,2	Contactor (compressor)
52F	Contactor (fan I/D)
TB1 ~ 4	Terminal block
CH1,2	Crankcase heater
F1~3	Fuse (3.15A)
Tr	Transformer
49C1,2	Internal thermostat(compressor)
51C1,2	Over current relay(compressor)
51F1	Over current relay(fanI/D)
51F2,3	Over current relay(fanO/D)
63H1,2	High-pressure switch
26L1,2	Thermostat (freeze protection)
26D1~4	Thermostat (defrost)
21S4-1,2	4-Way valve
FZ	Auxiliary relay (fan)
30FZ	Auxiliary relay (fan)
CZ1-1,2/2-1,2	Auxiliary relay
HZ1,2	Auxiliary relay (heater)
30CZ1,2	Auxiliary relay (check)
X1,2	Contactor (fan O/D)
X3~6	Auxiliary relay (defrost)
<SW1>	Switch (operation mode)
<SW2>	Switch (on)
<23WA>	Thermostat (room temp.)
C1~8	Connector
T1,2	Timer (defrost)
2	Timer
CR1~3	Surge killer

- Note: 1. The dotted lines show field wiring.
 2. The figure in the parentheses show field supply parts.
 3. Color of earth wire is yellow and green twisting.
 4. Not specified color of wire is brown.
 5. Specification subject to change without notice.

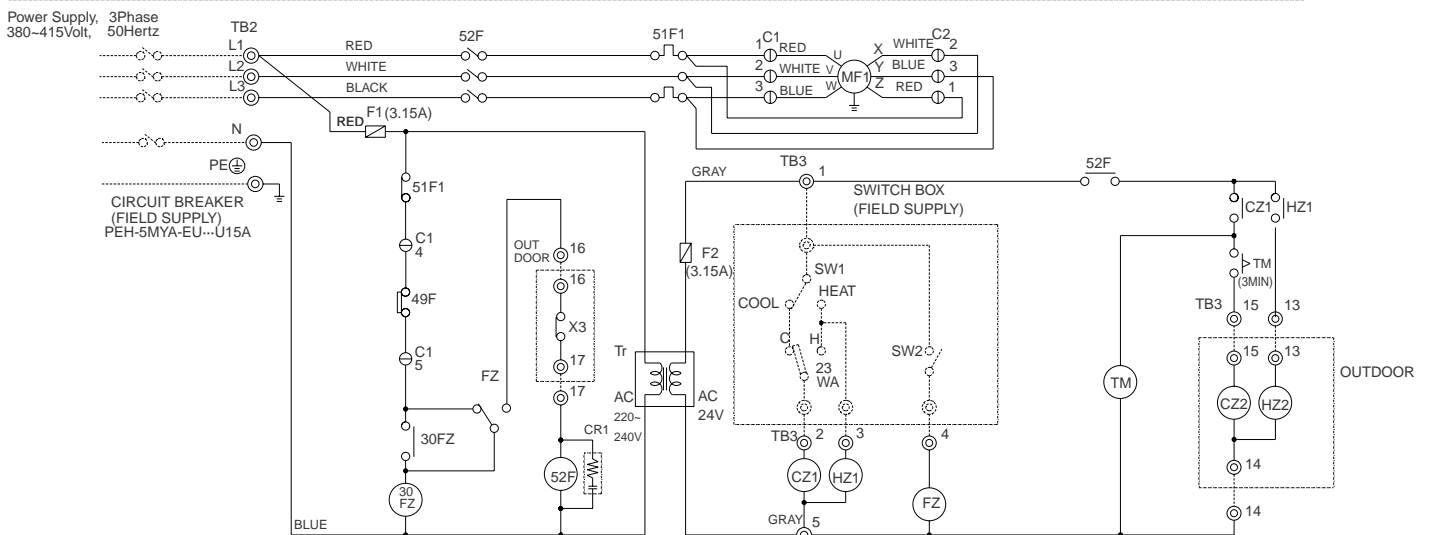
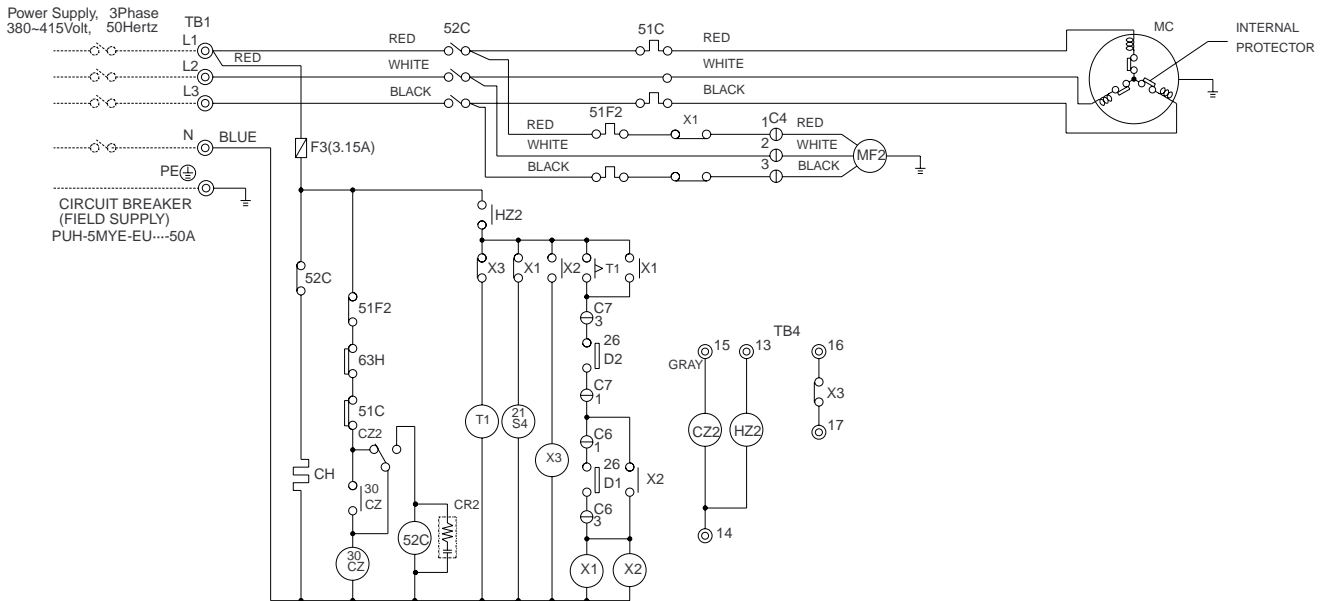
Caution,
 1. To protect each Fan motor and Compressor from abnormal current, Over current relays<51C1,2>, <51F1,2,3> are installed. Therefore, do not change factory set value of Over current relays.

Option controller connection.

Symbol	No.	Function	PAC-204RC (Option) terminal no.
TB3	1	Power (Active)	24VAC(L)
	2	Cooling or Heating operation	COMP1
	3	Cooling or Heating operation	COMP2
	4	Reversing valve for Heating operation	4WV
	5	Fan operation	FAN HI
	6	Power (Neutral)	24VAC(N)

PEH-5MYA-EU

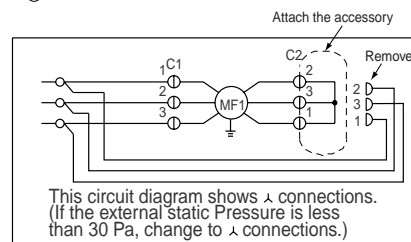
(SPECIAL WIRING : ANTI SHORT CYCLE TIMER.,
PROTECT FOR COOL AIR BLOW.)



Symbol	Name	Symbol	Name
MC	Compressor motor	21S4	4-Way valve
MF1	Fan motor (indoor)	FZ	Auxiliary relay (fan)
MF2	Fan motor (outdoor)	CZ1,2	Auxiliary relay (compressor)
52C	Contactora (compressor)	HZ1,2	Auxiliary relay (4-way valve)
52F	Contactora (fan I/D)	30CZ,FZ	Auxiliary relay (check)
TB1-4	Terminal block	X1	Contactora (fan O/D)
CH	Crankcase heater	X2,3	Auxiliary relay (defrost)
F1-3	Fuse (3.15A)	<SW1>	Switch (operation mode)
Tr	Transformer	<SW2>	Switch (on)
49F	Internal thermostat(indoor fan)	<23WA>	Thermostat (room temp.)
51C	Over current relay(compressor)	C1-4,6,7	Connector
51F1,2	Over current relay(fan/I,D,O/D)	T1	Timer (defrost)
63H	High-pressure switch	CR1,2	Surge killer
26D1,2	Thermostat (defrost)	TM	Timer (Anti short cycle)

Option controller connection.

Symbol	No.	Function	PAC-204RC (Option) terminal no.
TB3	1	Power (Active)	24VAC(L)
	2	Cooling operation	COMP1
	3	Revercing Valve for Heating operation	4WV
	4	Fan operation	FAN HI
	5	Power (Neutral)	24VAC(N)



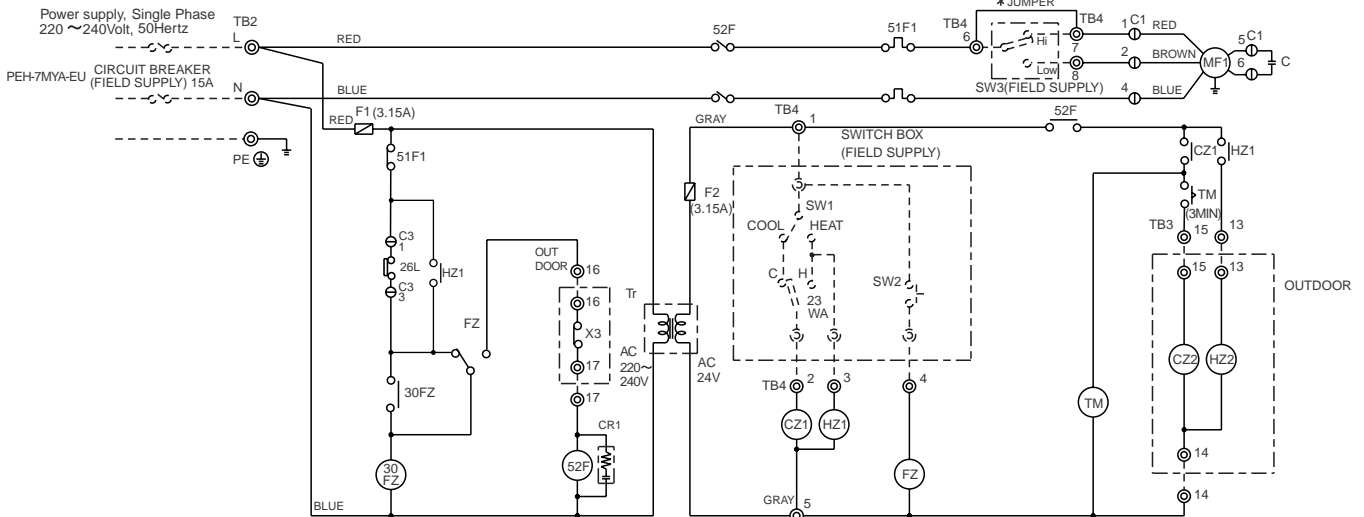
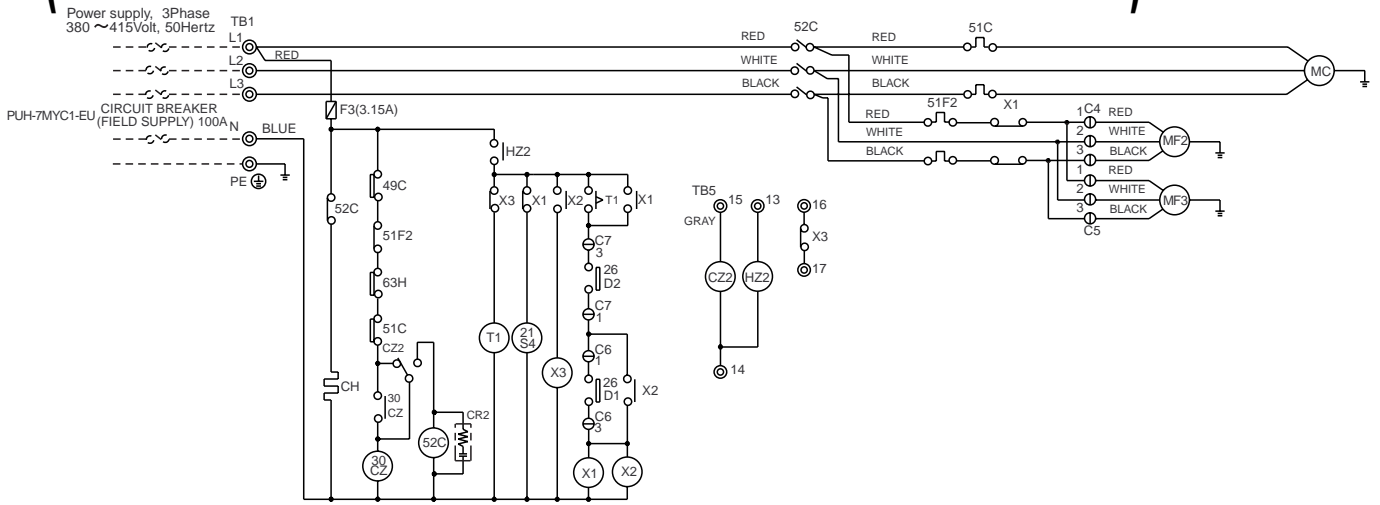
- Note:1.The dotted lines show field wiring.
2.The figure in the parentheses show field supply parts.
3.Color of earth wire is yellow and green twisting.
4.Not specified color of wire is brown.
5.When PAC-204RC is used, Timer(TM)is unnecessary.
6.Specification subject to change without notice.

Caution,

- 1.To protect each Fan motor and Compressor from abnormal current, Over current relays<51C>,<51F1,2>are installed. Therefore, do not change factory set value of Over current relays.

PEH-7MYA-EU

(SPECIAL WIRING : ANTI SHORT CYCLE TIMER., PROTECT FOR COOL AIR BLOW.)



Symbol	Name
MC	Compressor motor
MF1	Fan motor (indoor)
MF2,3	Fan motor (outdoor)
52C	Contactora (compressor)
52F	Contactora (fan I/D)
TB1~5	Terminal block
CH	Crankcase heater
F1~3	Fuse (3.15A)
Tr	Transformer
49C	Internal thermostat (compressor)
51C	Over current relay (compressor)
51F1,2	Over current relay (fan/I/D, O/D)
63H	High-pressure switch
26L	Thermostat (freeze protection)
26D1,2	Thermostat (defrost)
21S4	4-Way valve
FZ	Auxiliary relay (fan)
CZ1, 2	Auxiliary relay (compressor)
HZ1, 2	Auxiliary relay (4-way valve)
30CZ, FZ	Auxiliary relay (check)
X1	Contactora (fan O/D)
X2,3	Auxiliary relay (defrost)
(SW1)	Switch (operation mode)
(SW2)	Switch (on)
(SW3)	Switch (Fan Hi-Low)
(23WA)	Thermostat (room temp.)
C	Run capacitor
C1, 3~7	Connector
T1	Timer (defrost)
CR1, 2	Surge killer
TM	Timer (Anti short cycle)

- Note: 1. The dotted lines show field wiring.
 2. The figure in the parentheses show field supply parts.
 3. Color of earth wire is yellow and green twisting.
 4. Not specified color of wire is brown.
 5. Please remove the jumper wire (*Mark) in the above diagram if you use the Switch <SW3> at local. If the Switch <SW3> is not used, the Fan motor (indoor) drives at high speed.
 6. When PAC-204RC is used, Timer(TM) is unnecessary.
 7. Specification subject to change without notice.

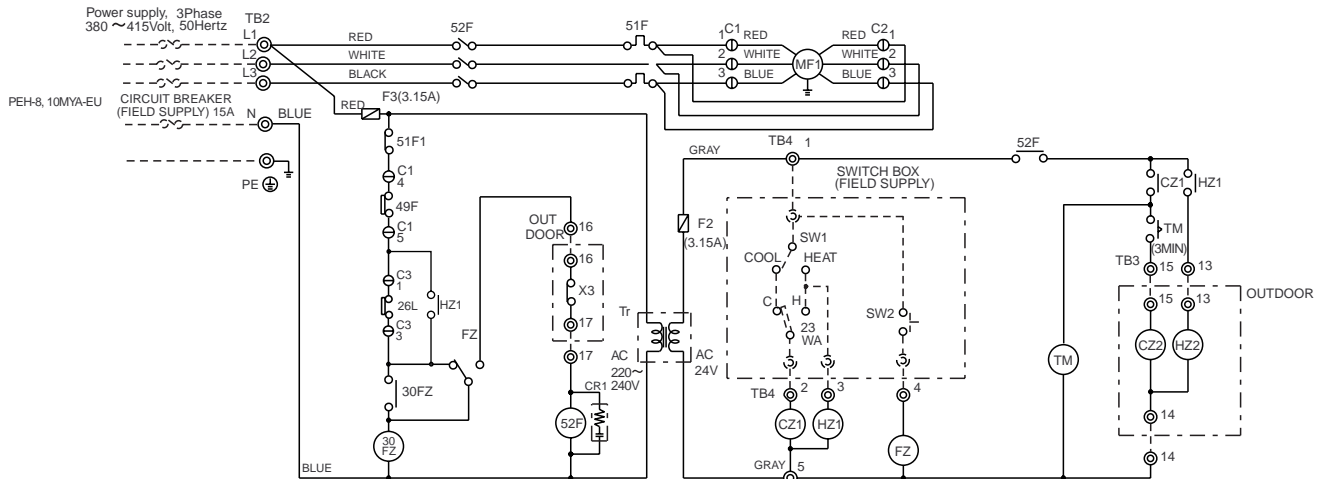
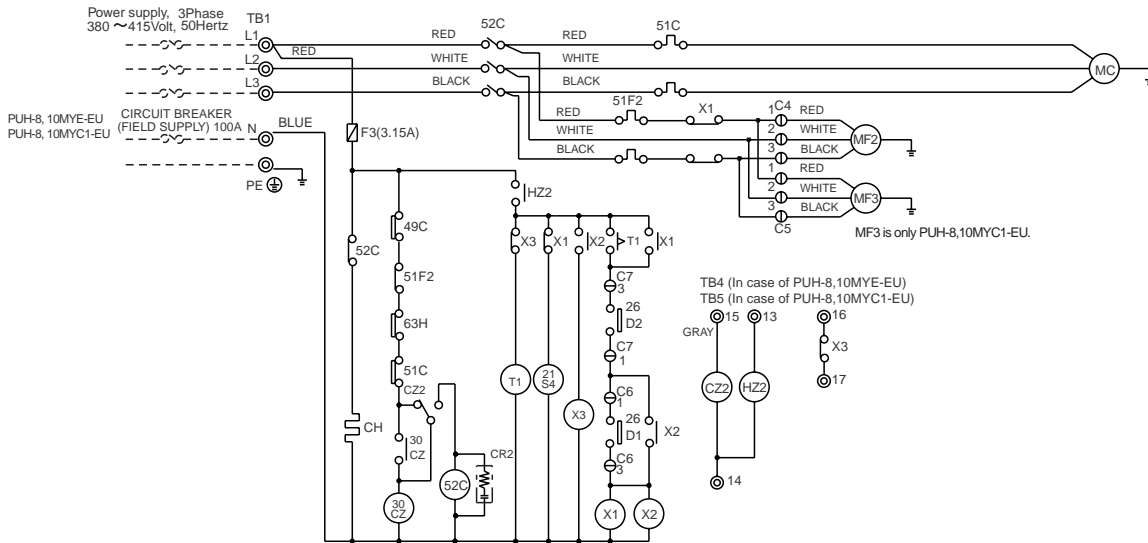
Caution,
 1. To protect each Fan motor and Compressor from abnormal current, Over current relays <51C>, <51F1,2> are installed. Therefore, do not change factory set value of Over current relays.

Option controller connection.

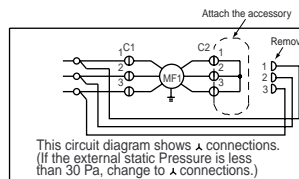
Symbol	No.	Function	PAC-204RC (Option) terminal no.
TB4	1	Power (Active)	24VAC(L)
	2	Cooling or Heating operation	COMP
	3	Reversing valve for Heating operation	4WV
	4	Fan operation	FAN HI
	5	Power (Neutral)	24VAC(N)

PEH-8,10MYA-EU

(SPECIAL WIRING : ANTI SHORT CYCLE TIMER., PROTECT FOR COOL AIR BLOW.)



Symbol	Name
MC	Compressor motor
MF1	Fan motor (indoor)
MF2,3	Fan motor (outdoor)
52C	Contactor (compressor)
52F	Contactor (fan I/D)
TB1~5	Terminal block
CH	Crankcase heater
F1~3	Fuse (3.15A)
Tr	Transformer
49F	Internal thermostat (indoor fan)
49C	Internal thermostat (compressor)
51C	Over current relay (compressor)
51F1,2	Over current relay (fan/I,D,O/D)
63H	High-pressure switch
26L	Thermostat (freeze protection)
26D1,2	Thermostat (defrost)
21S4	4-Way valve
FZ	Auxiliary relay (fan)
CZ1, 2	Auxiliary relay (compressor)
HZ1, 2	Auxiliary relay (4-way valve)
30CZ, FZ	Auxiliary relay (check)
X1	Contactor (fan O/D)
X2,3	Auxiliary relay (defrost)
{SW1}	Switch (operation mode)
{SW2}	Switch (on)
{23WA}	Thermostat (room temp.)
C1~7	Connector (C5 is PUH-8,10MYC-EU only)
T1	Timer (defrost)
CR1, 2	Surge killer
TM	Timer (Anti short cycle)



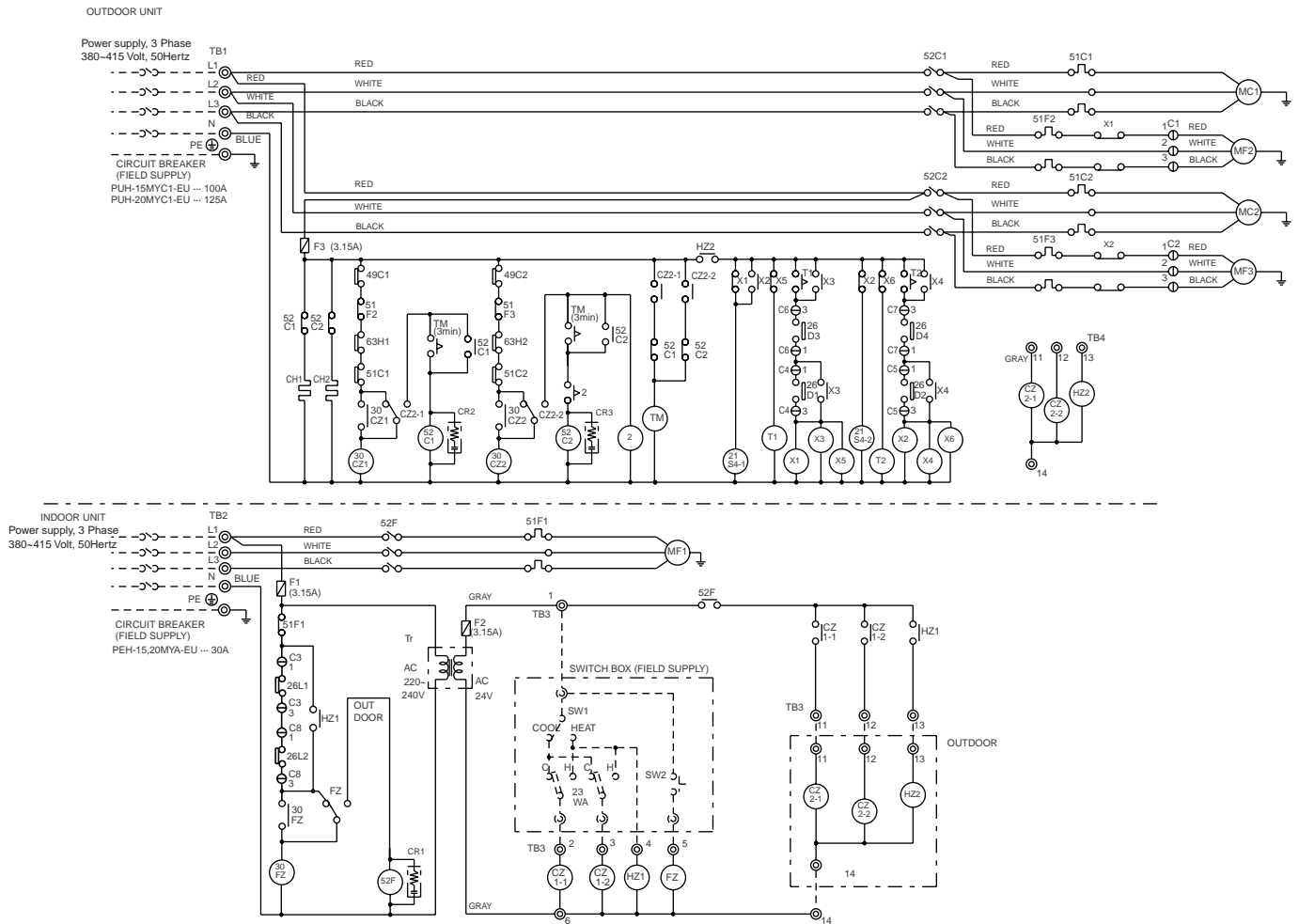
- Note:
- The dotted lines show field wiring.
 - The figure in the parentheses show field supply parts.
 - Color of earth wire is yellow and green twisting.
 - Not specified color of wire is brown.
 - When PAC-204RC is used, Timer(TM) is unnecessary.
 - Specification subject to change without notice.

Caution,
1. To protect each Fan motor and Compressor from abnormal current, Over current relays <51C>, <51F1,2> are installed. Therefore, do not change factory set value of Over current relays.

Option controller connection.

Symbol	No.	Function	PAC-204RC (Option) terminal no.
TB4	1	Power (Active)	24VAC(L)
	2	Cooling or Heating operation	COMP
	3	Reversing valve for Heating operation	4WV
	4	Fan operation	FAN HI
	5	Power (Neutral)	24VAC(N)

PEH-15,20MYA-EU (SPECIAL WIRING : ANTI SHORT CYCLE TIMER)



Symbol	Name
MC1,2	Compressor motor
MF1	Fan motor (indoor)
MF2,3	Fan motor (outdoor)
52C1,2	Contactor (compressor)
52F	Contactor (fan I/D)
TB1~4	Terminal block
CH1,2	Crankcase heater
F1~3	Fuse (3.15A)
Tr	Transformer
49C1,2	Internal thermostat(compressor)
51C1,2	Over current relay(compressor)
51F1	Over current relay(fanI/D)
51F2,3	Over current relay(fanO/D)
63H1,2	High-pressure switch
26L1,2	Thermostat (freeze protection)
26D1~4	Thermostat (defrost)
21S4-1,2	4-Way valve
FZ	Auxiliary relay (fan)
30FZ	Auxiliary relay (fan)
CZ1-1,2/2-1,2	Auxiliary relay
HZ1,2	Auxiliary relay (heater)
30CZ1,2	Auxiliary relay (check)
X1,2	Contactor (fan O/D)
X3~6	Auxiliary relay (defrost)
<SW1>	Switch (operation mode)
<SW2>	Switch (on)
<23WA>	Thermostat (room temp.)
C1~8	Connector
T1,2	Timer (defrost)
2	Timer
CR1~3	Surge killer
TM	Timer (Anti short cycle)

- Note:1.The dotted lines show field wiring.
 2.The figure in the parentheses show field supply parts.
 3.Color of earth wire is yellow and green twisting.
 4.Not specified color of wire is brown.
 5.When PAC-204RC is used, Timer(TM)is unnecessary.
 6.Specification subject to change without notice.

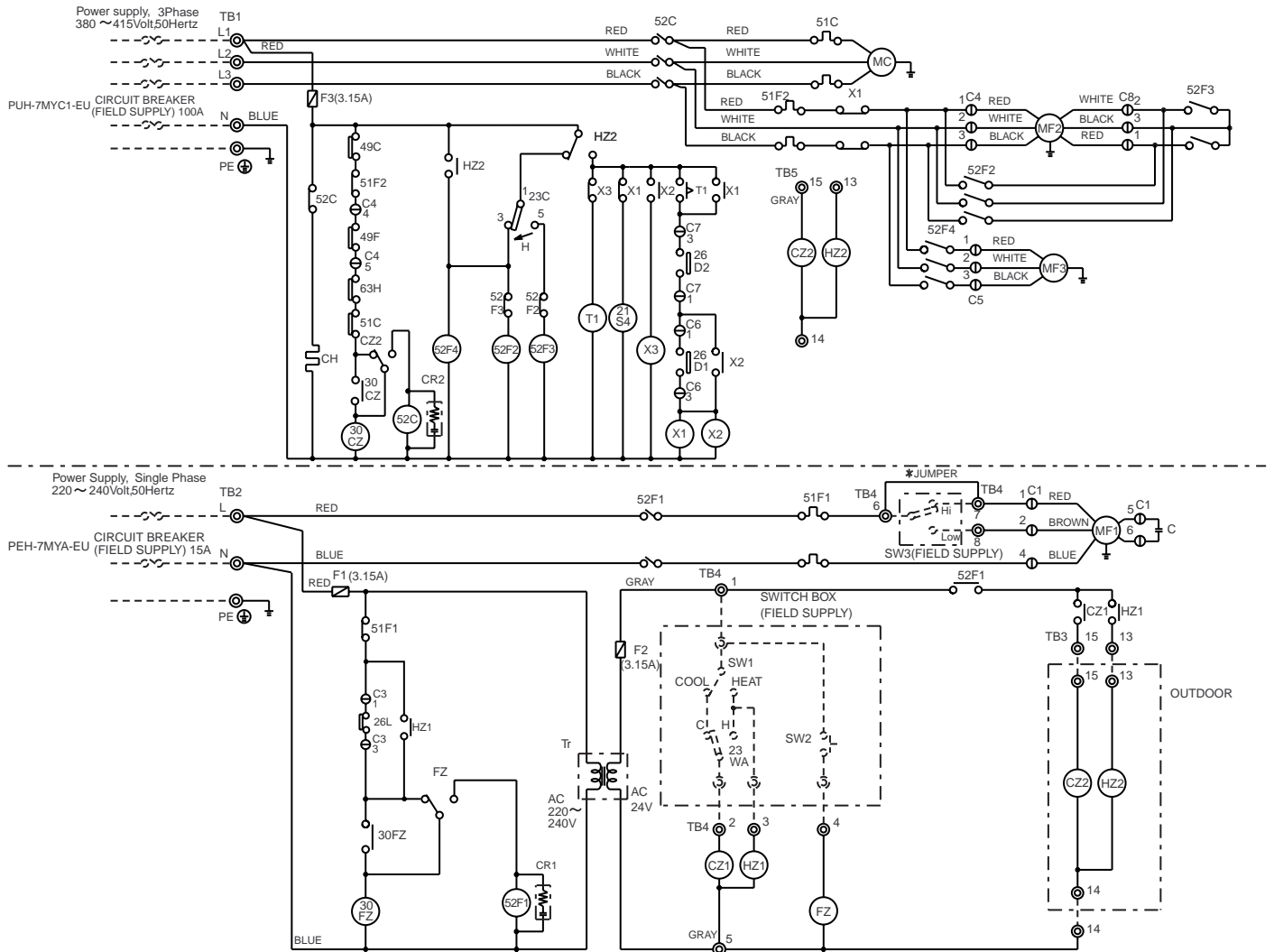
Caution,

- To protect each Fan motor and Compressor from abnormal current, Over current relays<51C1,2>,<51F1,2,3>are installed. Therefore, do not change factory set value of Over current relays.
- To protect the starting Compressor <MC1,2>at the same time, Timer <2> is installed. Therefore, do not change factory set value of this Timer.
- To protect the starting Compressor<52C1,2> frequently, Timer <TM> is installed. Therefore, do not change factory set value of this Timer.

Option controller connection.

Symbol	No.	Function	PAC-204RC (Option) terminal no.
TB3	1	Power (Active)	24VAC(L)
	2	Cooling or Heating operation	COMP1
	3	Cooling or Heating operation	COMP2
	4	Reversing valve for Heating operation	4WV
	5	Fan operation	FAN HI
	6	Power (Neutral)	24VAC(N)

PEH-7MYA-EU (SPECIAL ORDER : LOW AMBIENT COOLING)



Symbol	Name	Symbol	Name
MC	Compressor motor	FZ	Auxiliary relay (fan)
MF1	Fan motor (indoor)	CZ1, 2	Auxiliary relay (compressor)
MF2, 3	Fan motor (outdoor)	HZ1, 2	Auxiliary relay (4-way valve)
52C	Contactor (compressor)	30CZ, FZ	Auxiliary relay (check)
52F1	Contactor (fan I/D)	X1	Contactor (fan O/D)
52F2, 3	Contactor (fan O/D)	X2, 3	Auxiliary relay (defrost)
52F4	Contactor (fan O/D)	<SW1>	Switch (operation mode)
23C	Ambient temperature	<SW2>	Switch (on)
TB1~5	Terminal block	<SW3>	Switch (Fan Hi-Low)
CH	Crankcase heater	<23WA>	Thermostat (room temp.)
F1~3	Fuse (3.15A)	C	Run capacitor
Tr	Transformer	C1, 3~8	Connector
49C	Internal thermostat (compressor)	T1	Timer (defrost)
49F	Internal thermostat (fan O/D)	CR1, 2	Surge killer
51C	Over current relay (compressor)	21S4	4-Way valve
51F1,2	Over current relay (fan I/D, O/D)	26D1, 2	Thermostat (defrost)
63H	High-pressure switch	26L	Thermostat (freeze protection)

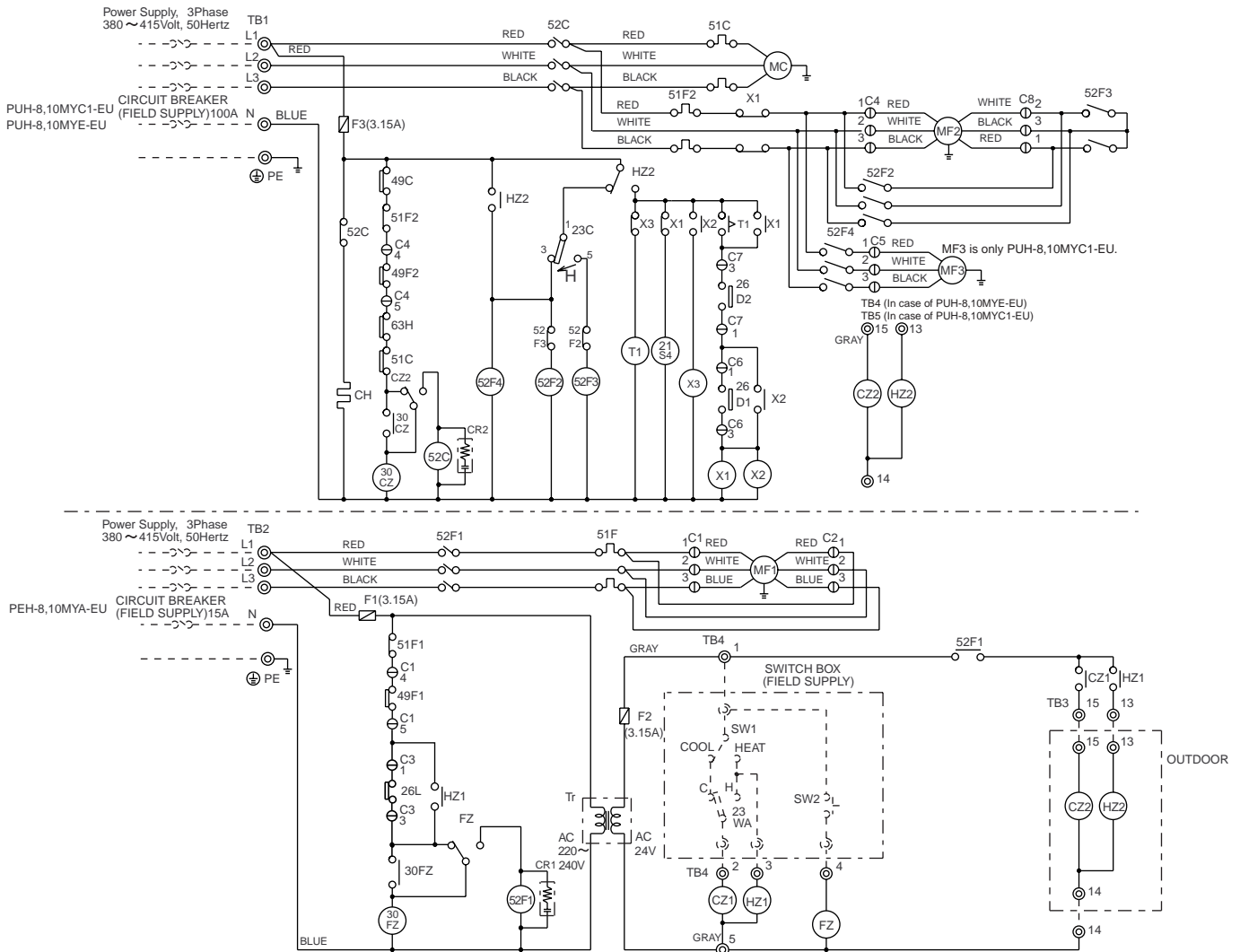
- Note: 1. The dotted lines show field wiring.
 2. The figure in the parentheses show field supply parts.
 3. Color of earth wire is yellow and green twisting.
 4. Not specified color of wire is brown.
 5. Please remove the jumper wire (*Mark) in the above diagram if you use the Switch <SW3> at local. If the Switch <SW3> is not used, the Fan motor (indoor) drives at high speed.
 6. Specification subject to change without notice.

Caution,
 1. To protect each Fan motor and Compressor from abnormal current, Over current relays <51C>, <51F1,2> are installed. Therefore, do not change factory set value of Over current relays.

Option controller connection.

Symbol	No.	Function	PAC-204RC (Option) terminal no.
TB4	1	Power (Active)	24VAC(L)
	2	Cooling or Heating operation	COMP
	3	Reversing valve for Heating operation	4WV
	4	Fan operation	FAN HI
	5	Power (Neutral)	24VAC(N)

PEH-8,10MYA-EU (SPECIAL ORDER : LOW AMBIENT COOLING)



Symbol	Name	Symbol	Name
MC	Compressor motor	FZ	Auxiliary relay (fan)
MF1	Fan motor (indoor)	CZ1, 2	Auxiliary relay (compressor)
MF2, 3	Fan motor (outdoor)	HZ1, 2	Auxiliary relay (4-way valve)
52C	Contactor (compressor)	30CZ, FZ	Auxiliary relay (check)
52F1	Contactor (fan I/D)	X1	Contactor (fan O/D)
52F2, 3	Contactor (fan O/D)	X2, 3	Auxiliary relay (defrost)
52F4	Contactor (fan O/D)	<SW1>	Switch (operation mode)
23C	Ambient temperature	<SW2>	Switch (on)
TB1~5	Terminal block	<SW3>	Switch (Fan Hi-Low)
CH	Crankcase heater	<23WA>	Thermostat (room temp.)
F1~3	Fuse (3.15A)	63H	High-pressure switch
Tr	Transformer	C1-8	Connector (C5 is PUH-8,10MYC1-EU only.)
49C	Internal thermostat (compressor)	T1	Timer (defrost)
49F1	Internal thermostat (fan I/D)	CR1, 2	Surge killer
49F2	Internal thermostat (fan O/D)	21S4	4-Way valve
51C	Over current relay (compressor)	26D1, 2	Thermostat (defrost)
51F1,2	Over current relay (fan I/D, O/D)	26L	Thermostat (freeze protection)

- Note: 1. The dotted lines show field wiring.
 2. The figure in the parentheses show field supply parts.
 3. Color of earth wire is yellow and green twisting.
 4. Not specified color of wire is brown.
 5. Specification subject to change without notice.

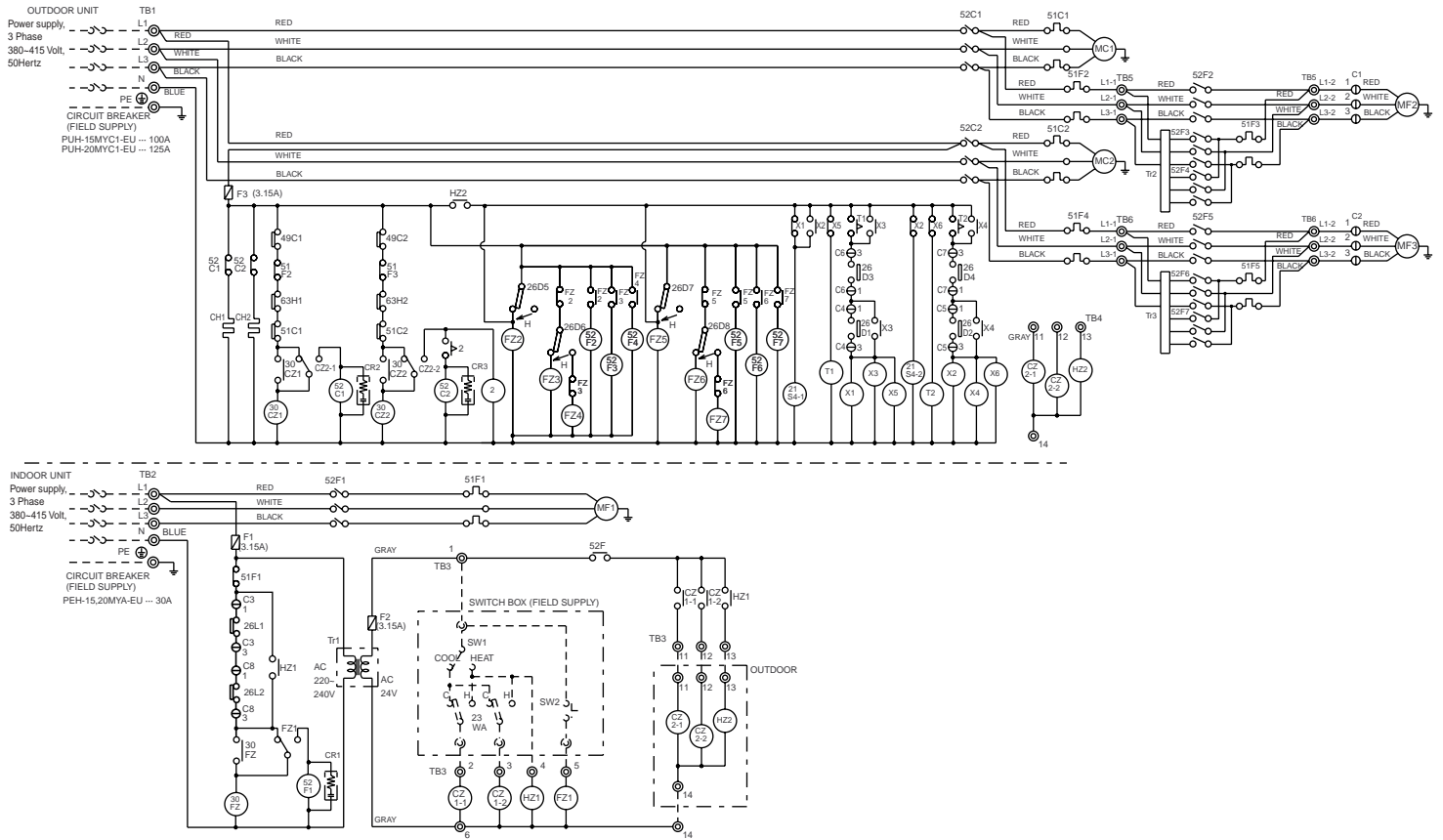
Caution,

1. To protect each Fan motor and Compressor from abnormal current, Over current relays <51C>, <51F1,2> are installed. Therefore, do not change factory set value of Over current relays.

Option controller connection.

Symbol	No.	Function	PAC-204RC (Option) terminal no.
TB4	1	Power (Active)	24VAC(L)
	2	Cooling or Heating operation	COMP
	3	Reversing valve for Heating operation	4WV
	4	Fan operation	FAN HI
	5	Power (Neutral)	24VAC(N)

PEH-15,20MYA-EU (SPECIAL ORDER : LOW AMBIENT COOLING)



Symbol	Name
MC1,2	Compressor motor
MF1	Fan motor (indoor)
MF2,3	Fan motor (outdoor)
52C1,2	Contactor (compressor)
52F1	Contactor (fan I/D)
TB1-6	Terminal block
CH1,2	Crankcase heater
F1-3	Fuse (3.15A)
Tr1-3	Transformer
49C1,2	Internal thermostat (compressor)
51C1,2	Over current relay (compressor)
51F1-5	Over current relay (fan I/D)
63H1,2	High-pressure switch
26L1,2	Thermostat (freeze protection)
26D1-4	Thermostat (defrost)
21S4-1,2	4-Way valve
FZ1,30FZ	Auxiliary relay (fan I/D)
CZ1-1,2/2-1,2	Auxiliary relay
HZ1,2	Auxiliary relay (heater)
30CZ1,2	Auxiliary relay (check)
X1,2	Contactors (fan O/D)
X3-6	Auxiliary relay (defrost)
<SW1>	Switch (operation mode)
<SW2>	Switch (on)
<23WA>	Thermostat (room temp.)
C1-8	Connector
T1,2	Timer (defrost)
2	Timer
CR1-3	Surge killer
26D5-8	Thermostat (ambient temp.)
52F2-7	Contactors (fan O/D)
FZ2-7	Auxiliary relay (fan O/D)

- Note: 1. The dotted lines show field wiring.
 2. The figure in the parentheses show field supply parts.
 3. Color of earth wire is yellow and green twisting.
 4. Not specified color of wire is brown.
 5. Specification subject to change without notice.

Caution,

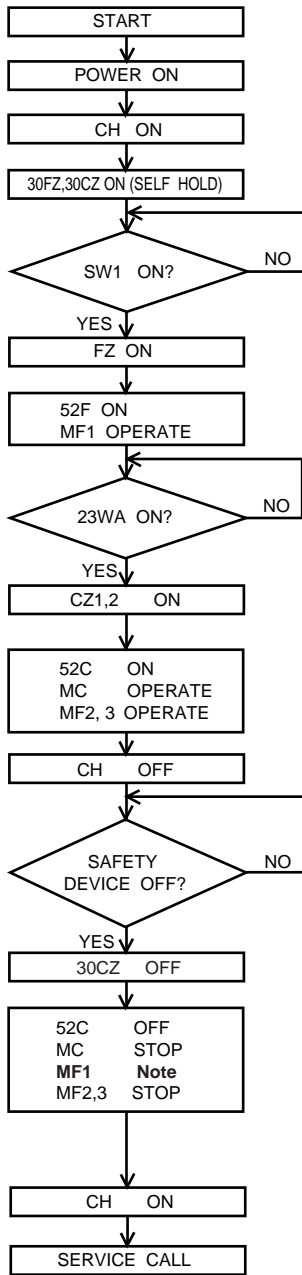
- To protect each Fan motor and Compressor from abnormal current, Over current relays <51C1,2>, <51F1-5> are installed. Therefore, do not change factory set value of Over current relays.
- To protect the starting Compressor <MC1,2> at the same time, Timer <2> is installed. Therefore, do not change factory set value of this Timer.

Option controller connection.

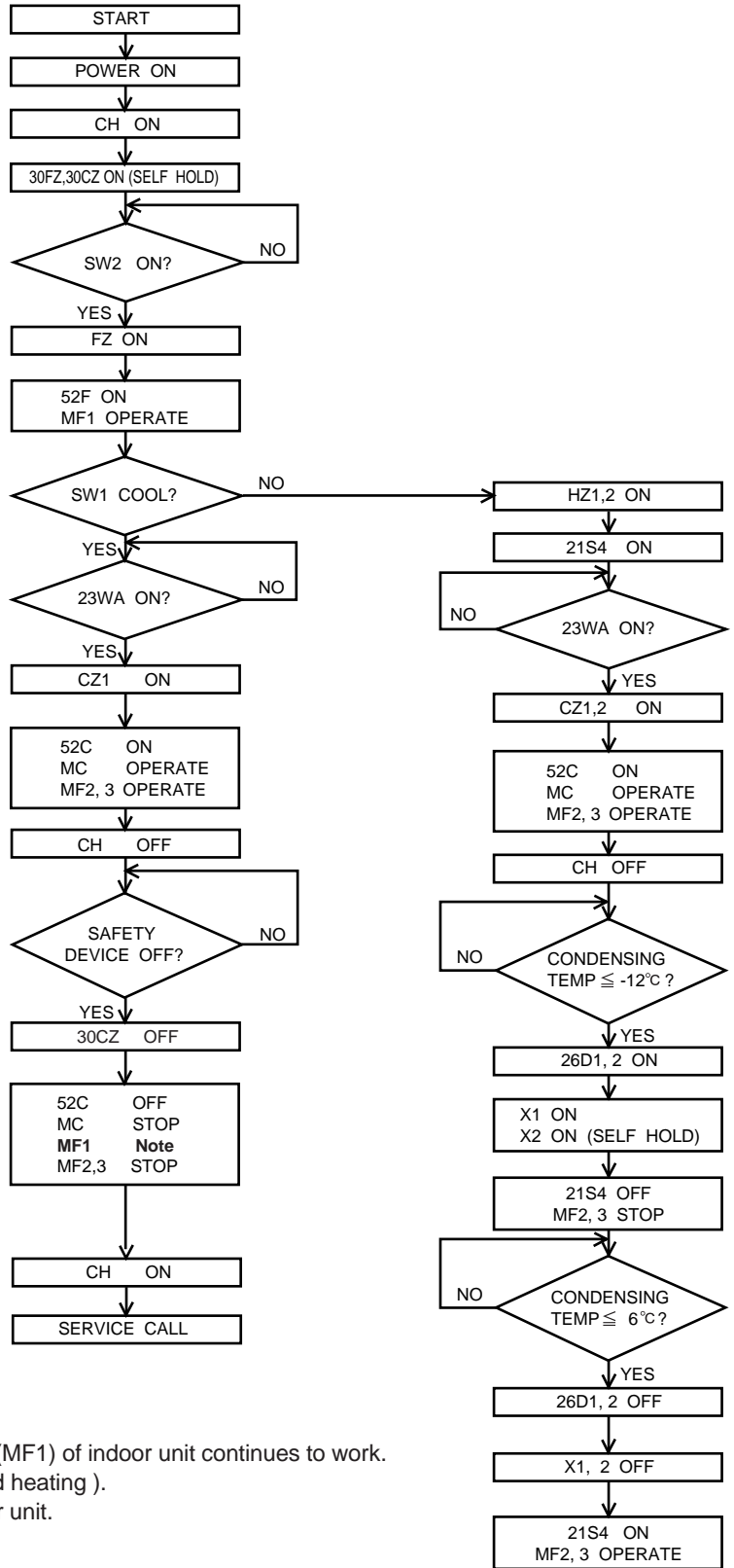
Symbol	No.	Function	PAC-204RC (Option) terminal no.
TB3	1	Power (Active)	24VAC(L)
	2	Cooling or Heating operation	COMP1
	3	Cooling or Heating operation	COMP2
	4	Reversing valve for Heating operation	4WV
	5	Fan operation	FAN HI
	6	Power (Neutral)	24VAC(N)

ELECTRICAL OPERATION FLOW CHARTS

PE-7,8,10MYC-EU



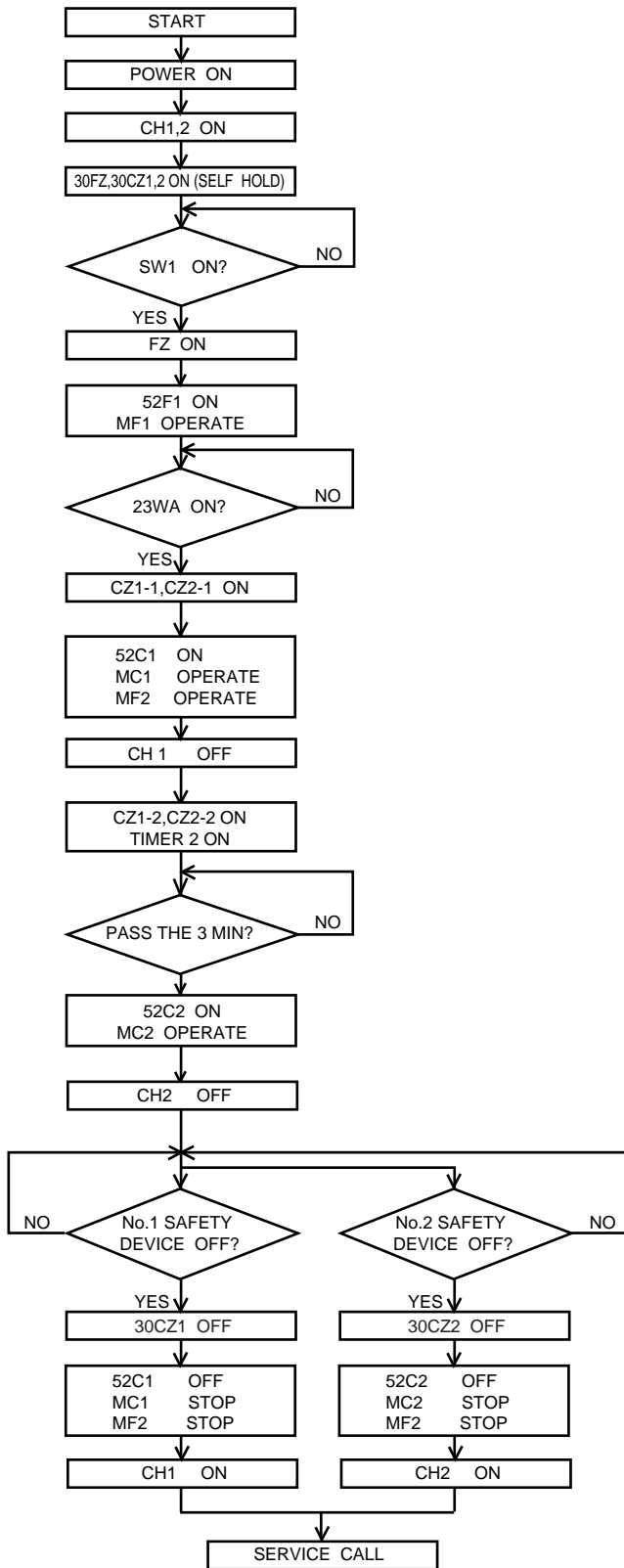
PEH-5MYA-EU, PEH-7,8,10MYA-EU



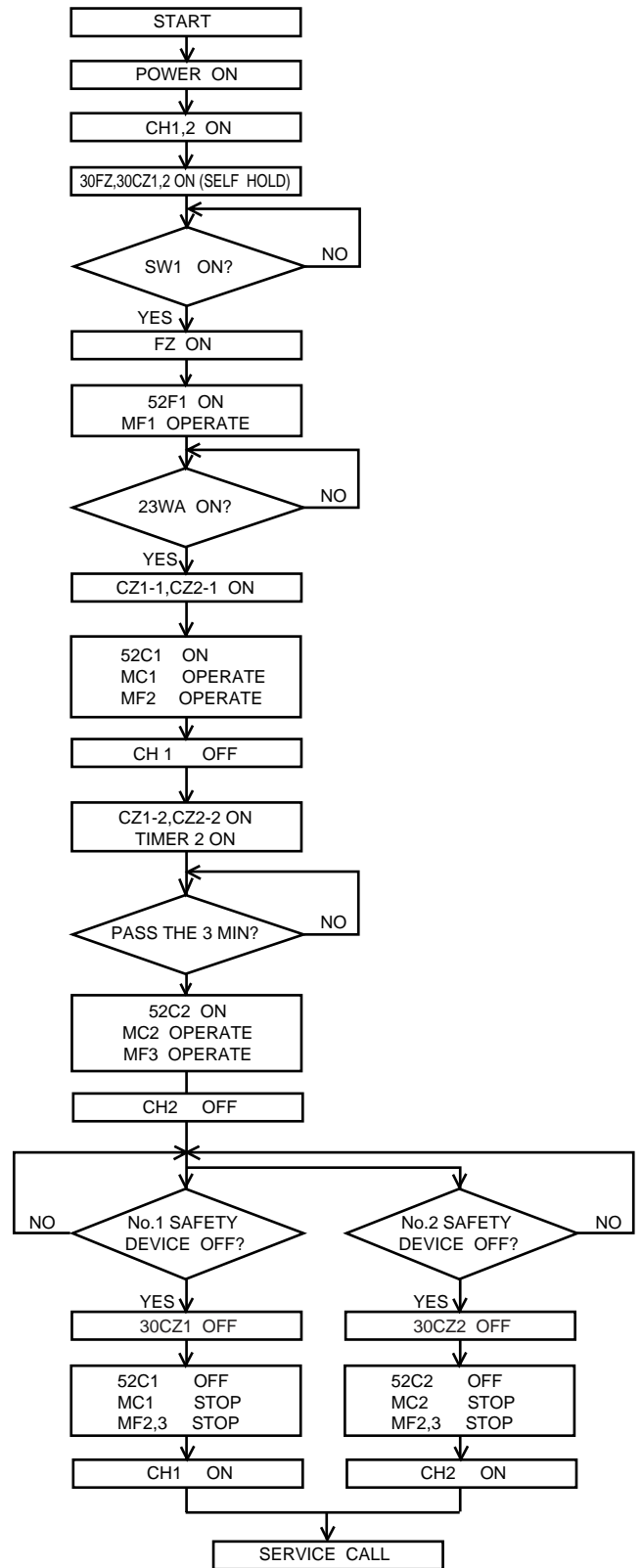
Note.

- When the fault of outdoor unit is occurred, the fan(MF1) of indoor unit continues to work. But the unit doesn't work correctly (not cooling and heating). Then, turn off the power supply and check outdoor unit.

PE-15MYC-EU

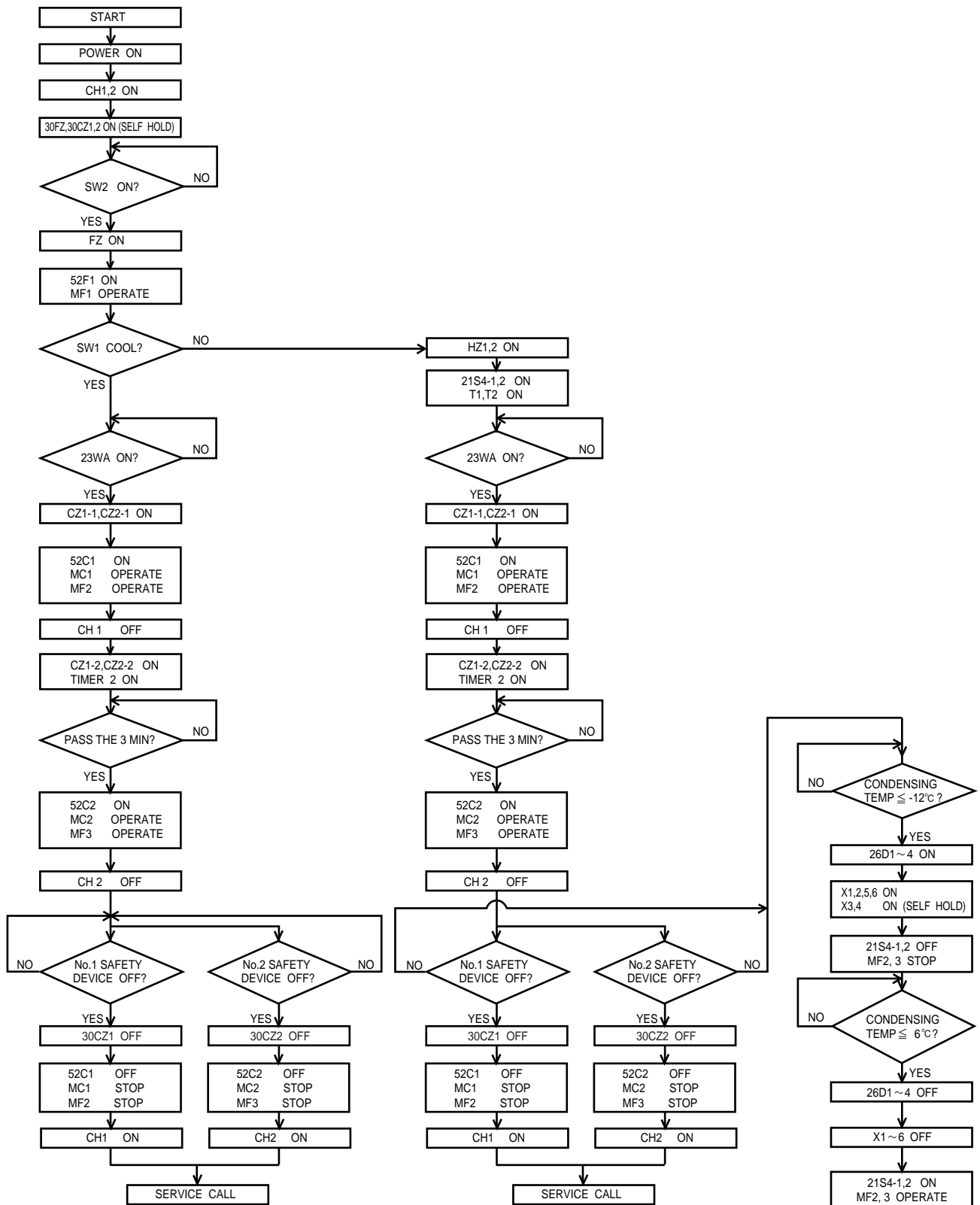


PE-20MYC-EU



Note. When the fault of outdoor unit is occurred, the fan(MF1) of indoor unit continues to work. But the unit doesn't work correctly (not cooling). Then, turn off the power supply and check outdoor unit. When the fault of indoor unit is occurred, both indoor unit and outdoor unit is stop.

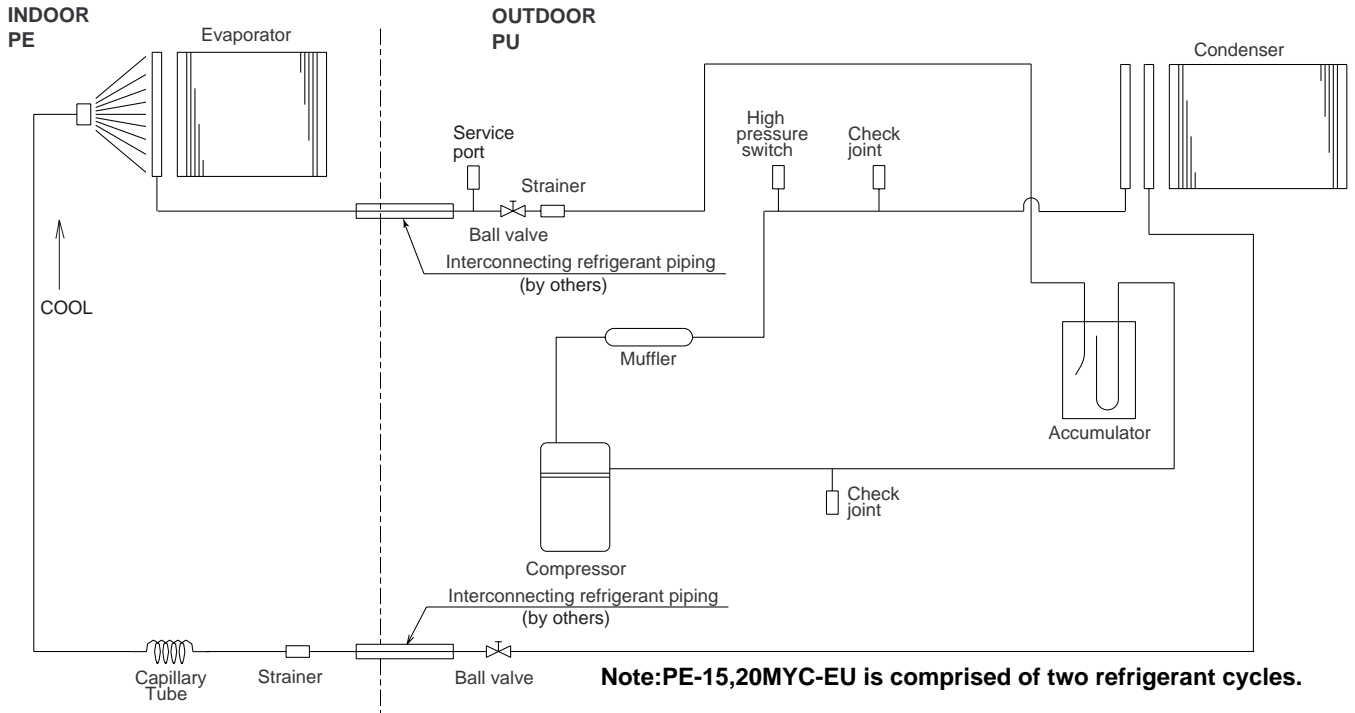
PEH-15,20MYA-EU



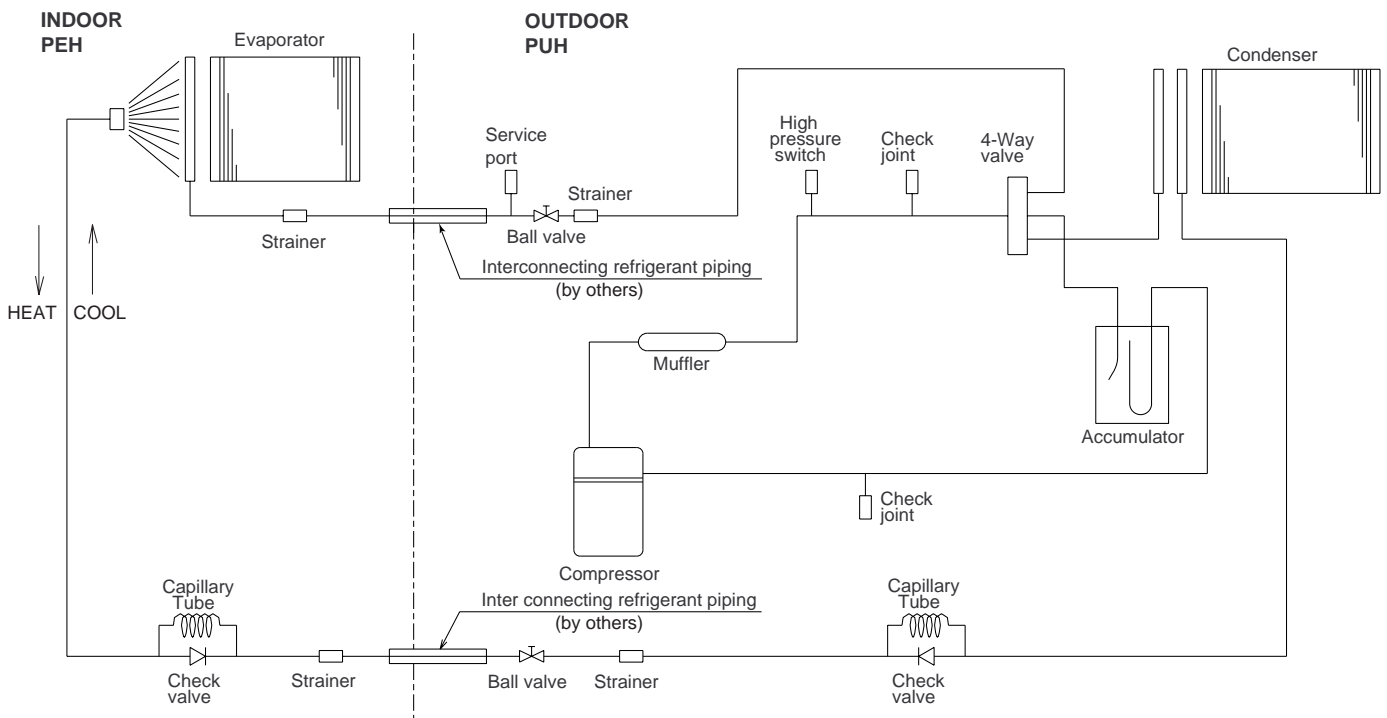
Note. When the fault of outdoor unit is occurred, the fan(MF1) of indoor unit continues to work. But the unit doesn't work correctly (not cooling). Then, turn off the power supply and check outdoor unit. When the fault of indoor unit is occurred, both indoor unit and outdoor unit is stop.

REFRIGERANT SCHEMATICS

PE-7,8,10,15,20MYC-EU



PEH-5,7,8,10,15,20MYA-EU



SAFETY & CONTROL DEVICES

PE-7,8,10MYC-EU PE-15,20MYC-EU

ITEM	NO.	PE-7MYC-EU PU-7MYC1-EU	PE-8MYC-EU PU-8MYC1-EU	PE-10MYC-EU PU-10MYC1-EU
COMPRESSOR OVER CURRENT RELAY	51C	19.0A	22.0A	31.0A
COMPRESSOR INTERNAL THERMOSTAT	49C	105 ± 5 °C OFF 83 ± 11 °C ON		
HIGH PRESSURE SWITCH	63H	2.94MPa OFF		
INDOOR FAN MOTOR OVER CURRENT RELAY	51F1	5.0A	3.5A	5.0A
INDOOR FAN MOTOR INTERNAL THERMOSTAT	-	150 °C OFF		
OUTDOOR FAN MOTOR OVER CURRENT RELAY	51F2	2.5A		
OUTDOOR FAN MOTOR INTERNAL THERMOSTAT	-	150 °C OFF		
FUSE	F1 ~ 3	3.15A		

ITEM	NO.	PE-15MYC-EU PU-15MYC1-EU	PE-20MYC-EU PU-20MYC1-EU
COMPRESSOR OVER CURRENT RELAY	51C1,2	22.0A	31.0A
COMPRESSOR INTERNAL THERMOSTAT	49C	105 ± 5 °C OFF 83 ± 11 °C ON	
HIGH PRESSURE SWITCH	63	3.24MPa OFF	
INDOOR FAN MOTOR OVER CURRENT RELAY	51F1	4.6A	7.2A
OUTDOOR FAN MOTOR OVER CURRENT RELAY	51F2,3	2.5A	
OUTDOOR FAN MOTOR INTERNAL THERMOSTAT	-	150 °C OFF	
FUSE	F1 ~ 3	3.15A	

PEH-7,8,10MYA-EU
PEH-15,20MYA-EU

ITEM	NO.	PEH-5MYA-EU PUH-5MYE-EU	PEH-7MYA-EU PUH-7MYC1-EU	PEH-8MYA-EU PUH-8MYC1-EU PUH-8MYE-EU
COMPRESSOR OVER CURRENT RELAY	51C	15.0A	19.0A	22.0A
COMPRESSOR INTERNAL THERMOSTAT	49C	110 ± 5°C OFF 61 ± 9°C ON	105 ± 5°C OFF 83 ± 11°C ON	
HIGH PRESSURE SWITCH	63H	2.94MPa OFF		
FROST PROTECTOR	26D1	-12 ± 2 °C ON		
	26D2	6 ± 2 °C OFF		
INDOOR FAN MOTOR OVER CURRENT RELAY	51F1	3.5A	5.0A	3.5A
INDOOR FAN MOTOR INTERNAL THERMOSTAT	-	150° C OFF		
OUTDOOR FAN MOTOR OVER CURRENT RELAY	51F2	2.5A		
OUTDOOR FAN MOTOR INTERNAL THERMOSTAT	-	150°C OFF		
FUSE	F1~3	3.15A		

ITEM	NO.	PEH-10MYA-EU PUH-10MYC1-EU PUH-10MYE-EU	PEH-15MYA-EU PUH-15MYC1-EU	PEH-20MYA-EU PUH-20MYC1-EU
COMPRESSOR OVER CURRENT RELAY	51C1,2	31.0A	22.0A	31.0A
COMPRESSOR INTERNAL THERMOSTAT	49C	105 ± 5 °C OFF 83 ± 11°C ON		
HIGH PRESSURE SWITCH	63H	2.94MPa OFF		
FROST PROTECTOR	26D1	-12 ± 2 °C ON		
	26D2	6 ± 2 °C OFF		
INDOOR FAN MOTOR OVER CURRENT RELAY	51F1	5.0A	4.6A	7.2A
OUTDOOR FAN MOTOR OVER CURRENT RELAY	51F	2.5A		
OUTDOOR FAN MOTOR INTERNAL THERMOSTAT	-	150° C OFF		
FUSE	F1~3	3.15A		

SPECIAL ORDER

Description	Cooling only	Model	-	PE-7MYC	PE-8MYC	PE-10MYC	PE-15MYC	PE-20MYC
		Service ref.	-	PE-7MYC-EU	PE-8MYC-EU	PE-10MYC-EU	PE-15MYC-EU	PE-20MYC-EU
	Heat pump	Model	PEH-5MYA	PEH-7MYA	PEH-8MYA	PEH-10MYA	PEH-15MYA	PEH-20MYA
		Service ref.	PEH-5MYA-EU	PEH-7MYA-EU	PEH-8MYA-EU	PEH-10MYA-EU	PEH-15MYA-EU	PEH-20MYA-EU
* Low Ambient Cooling			Release 2000 year	○	○	○	○	○
Global Remote Controller			○	○	○	○	○	○
Anti corrosion (Service reference)			○	○	○	○	○	○
			(PUH-5MYE-EUS)	(PUH-7MYC-EUS)	(PUH-8MYC-EUS, PUH-8MYE-EUS)	(PUH-10MYC-EUS, PUH-10MYE-EUS)	(PUH-15MYC-EUS)	(PUH-20MYC-EUS)

* Low ambient cooling

It is possible to conduct cooling operation under an outdoor temperature even down to -5 °C.

PHYSICAL DATA

PE-7,8,1015,20MYC-EU

<i>[PRODUCT]</i>		PACKAGE AIR COOLED HEATPUMP UNITS					
Product type		PE SERIES					
Product number :	Indoor unit	PE-7MYC-EU	PE-8MYC-EU	PE-10MYC-EU	PE-15MYC-EU	PE-20MYC-EU	
	Outdoor unit	PU-7MYC1-EU	PU-8MYC1-EU	PU-10MYC1-EU	PU-15MYC1-EU	PU-20MYC1-EU	
Cooling capacity (AS1861)	kW	17.9	22.0	28.8	44.0	57.6	
Sensible Cooling capacity (AS1861)	kW	14.3	17.6	23.0	35.2	46.1	
Cooling power consumption (Input)	kW	7.2	7.8	10.1	16.9	22.7	
Basic temperature condition cooling	Indoor	27°C DB/19°C WB					
Basic temperature condition cooling	Outdoor	35°C DB					
<i>[ELECTRICAL]</i>							
<Indoor unit>							
Design voltage	Volts	240	415				
Cycles	Hz	50					
Power supply	Volts	1PH-240V	3PH-415V				
Control voltage		240/24					
Voltage change	Max.	Volts	240	415			
Voltage change	Min.	Volts	220	380			
Fan motor output	HP(kW)	0.28(0.21)	0.94(0.70)	1.34(1.0)	2.95(2.2)	4.96(3.7)	
Fan motor current	Amps	3.2	1.2	2.0	3.5	4.8	
<Outdoor unit>							
Design voltage	Volts	415					
Cycles	Hz	50					
Power supply	Volts	3PH-415V					
Voltage change	Max.	Volts	415				
Voltage change	Min.	Volts	380				
Fan motor output	HP(kW)	2X0.12(2X0.09)	2X0.2(2X0.15)	0.32(0.24)	2X0.32(2X0.24)		
Fan motor current	Amps	0.7		1.0	1.2	2X1.2	
<i>[COMPRESSOR]</i>							
Make		MITSUBISHI					
Model		JH519YE	JH521YE	JH527YE	JH521YE	JH527YE	
Type		HERMETIC LINE START (RECIPROCATING)					
Number of compressor		1			2		
Nominal motor	HP(kW)	6.7(5.0)	7.4(5.5)	10.1(7.5)	7.4(5.5)	10.1(7.5)	
Locked rotor current	Amps	76	83	85	83	85	
Normal run current (AS1861)	Amps	13.0	15.5	19.2	15.5	19.2	
Swept volume	cc/rev	149	160.8	201	160.8	201	
Bore	mm	ø44.45					
Stroke	mm	24.0	25.9				
Speed	rpm	2900					
Number of cylinders		4		5	4	5	
Oil charge	ml	3000		4500	3000	4500	
Type of oil		DIAMOND MS32(N-1) OR SUNISO 3GS(D)					
Crankcase heater	watts	62		72	62	72	
<i>[REFRIGERATION SYSTEM]</i>							
Refrigerant		R22					
Refrigerant charge per circuit	kg	5.7	5.0	8.7	4.8	9.7	
Number of refrigerant control		1			2		
Refrigerant control		Capillary tube					
Limit of pipe's length	m	50					
Limit of pipe's height difference	mtrs	20 (In case of indoor unit above outdoor unit)					
	mtrs	30 (In case of outdoor unit above indoor unit)					

Product number	Indoor unit		PE-7MYC-EU	PE-8MYC-EU	PE-10MYC-EU	PE-15MYC-EU	PE-20MYC-EU
	Outdoor unit		PU-7MYC1-EU	PU-8MYC1-EU	PU-10MYC1-EU	PU-15MYC1-EU	PU-20MYC1-EU
[INDOOR AIR CIRCUIT]							
Number of blowers			2				
Diameter of blowers	mm		250			380	
Width of blowers	mm	245	275		270	374	
Blower drive			Direct drive			Belt drive	
Fan motor output	kW	0.21	0.70	1.00	2.2	3.7	
Fan motor run current	A	3.2	1.2	2.0	3.5	4.8	
Air quantity	L/s	1000	1167	1500	2333	3000	
External static pressure	Pa		125			200	
Supply air dimensions(hxw)	mm		341 X 1102		341X1302	412X1000	412X1209
Return air dimensions(hxw)	mm		248 X 998			596X1415	
[EVAPORATOR]							
Number of evaporator			1				
Face area	sq.m		0.42		0.50	0.86	1.00
Rows deep			4			4	
Rows high			15			24	
Finned length	mm		1100		1300	1415	1615
Face velocity	m/s	2.2	2.8	3.0	2.7	3.0	
Fin per meter			474/2.11		513/1.95	474/2.11	513/1.95
Fin material thickness	mm		0.115				
Fin material/Type			Aluminium / Ring				
Tube diameter	mm		9.52				
Gauge of copper tube	mm		0.35				
Pipe type			Plain tube			Groove tube	
Number of circuit			10			16	24
[OUTDOOR AIR CIRCUIT]							
Number of fans			2			1	2
Diameter of fan	mm		600			954	
Blower drive			Direct drive				
Quantity of motor			2			1	2
Fan motor output	kW	2X0.09	2X0.15		0.24	2X0.36	
Fan motor run current	A	0.7	1.0		1.2	2X1.2	
Air quantity	L/s	3167	3000	3667	4000	8000	
[CONDENSER]							
Number of condensers			2				
Face area	sq.m		2 X 2.1			1.32	1.35
Rows deep			1		2	2	2
Rows high		30	32	30	40	30	
Finned length	mm		2706		2696	1299	1775
Face velocity	m/s	1.4	1.5		1.5	3.0	
Fin per meter/Pitch		474 / 2.7	625 / 1.6	538 / 1.86	6.25/1.6		
Fin material thickness	mm		0.115				
Fin material/Type			Aluminium / Ring				
Tube diameter/Gauge	mm		9.52 / 0.35				
Pipe type			Groove tube			Plain tube	
Number of circuit			7		11	6	

Product number		Indoor unit		PE-7MYC-EU	PE-8MYC-EU	PE-10MYC-EU	PE-15MYC-EU	PE-20MYC-EU
		Outdoor unit		PU-7MYC1-EU	PU-8MYC1-EU	PU-10MYC1-EU	PU-15MYC1-EU	PU-20MYC1-EU
[ENCLOSURE AND FRAME]								
Dimension	Indoor unit	height	mm	428			706	
		width	mm	1415		1615	1690	1993
		depth	mm	650			865	
Dimension	Outdoor unit	height	mm	980			1230	961
		width	mm	1400			998	1996
		depth	mm	700			998	
External finish (indoor unit)				Galvanized steel				
External finish (outdoor unit)				Acrylic resin coating (Color: Munsell 5Y8/1)				
Panel thickness			mm	1.2				
Condense drain size			mm	25.4				
Weight Indoor unit			kg	67	70	84	180	212
Weight Outdoor unit			kg	202	205	230	285	360
Sound pressure level (indoor unit)			dbA	55	56	59	61	62
Sound pressure level (outdoor unit)			dbA	65	65	65	67	68
Sound power level (indoor unit)			dbA	63	64	67	69	70
Sound power level (outdoor unit)			dbA	76	76	76	78	79

PEH-5,7,8MYA-EU

[PRODUCT]		PACKAGE AIR COOLED HEATPUMP UNITS			
Product type		PEH SERIES			
Product number :	Indoor unit	PEH-5MYA-EU	PEH-7MYA-EU	PEH-8MYA-EU	
	Outdoor unit	PUH-5MYE-EU	PUH-7MYC1-EU	PUH-8MYC1-EU	PUH-8MYE-EU
Cooling capacity (AS1861)	kW	14.4	17.9	22.0	
Sensible Cooling capacity (AS1861)	kW	11.5	14.3	17.6	
Cooling power consumption (Input)	kW	6.0	7.2	7.8	
Heating capacity (AS1861)	kW	14.4	18.8	22.0	
Heating power consumption	kW	4.5	6.3	6.5	
Basic temperature condition cooling	Indoor	27°C DB/19°C WB			
Basic temperature condition cooling	Outdoor	35°C DB			
Basic temperature condition heating	Indoor	21°C DB			
Basic temperature condition heating	Outdoor	7 °C DB/6 °CWB			
[ELECTRICAL]					
<Indoor unit>					
Design voltage	Volts	415	240	415	
Cycles	Hz	50			
Power supply	Volts	3PH-415V	1PH-240V	3PH-415V	
Control voltage		240/24			
Voltage change	Max.	Volts	415	240	415
Voltage change	Min.	Volts	380	220	380
Fan motor output	HP(kW)	0.6(0.45)	0.28(0.21)	0.94(0.70)	
Fan motor current	Amps	1.1/1.0	3.2	1.2	
<Outdoor unit>					
Design voltage	Volts	415			
Cycles	Hz	50			
Power supply	Volts	3PH-415V			
Voltage change	Max.	Volts	415		
Voltage change	Min.	Volts	380		
Fan motor output	HP(kW)	0.2(0.15)	2X0.12(2X0.09)	0.47(0.35)	
Fan motor current	Amps	1.0	0.7		
[COMPRESSOR]					
Make		Copeland	MITSUBISHI		
Model		CRNQ-0500-TFD	JH519YE	JH521YE	
Type		HERMETIC LINE START (RECIPROCATING)			
Number of compressor		1			
Nominal motor	HP(kW)	5.0(3.73)	6.7(5.0)	7.4(5.5)	
Locked rotor current	Amps	65	76	83	
Normal run current (AS1861)	Amps	8.6	13.0	15.5	
Swept volume	cc/rev	101.92	149	160.8	
Bore	mm	ø49.78	ø44.45		
Stroke	mm	26.19	24.0	25.9	
Speed	rpm	2900			
Number of cylinders		2	4		
Oil charge	ml	1952	3000		
Type of oil		CALUMETRO 15 OR WITCO 3GS	DIAMOND MS32(N-1) OR SUNISO 3GS(D)		
Crankcase heater	watts	40	62		
[REFRIGERATION SYSTEM]					
Refrigerant		R22			
Refrigerant charge per circuit	kg	5.0	5.7	6.6	
Number of refrigerant controls		1			
Refrigerant control		Capillary tube			
Reverse cycle valve		4-way valve			
Defrost system		Reverse cycle defrost			
Limit of pipe's length	m	50			
Limit of pipe's height difference	mtrs	20 (In case of indoor unit above outdoor unit)			
	mtrs	30 (In case of outdoor unit above indoor unit)			

Product number	Indoor unit Outdoor unit	PEH-5MYA-EU		PEH-7MYA-EU		PEH-8MYA-EU	
		PUH-5MYE-EU		PUH-7MYC1-EU		PUH-8MYC1-EU	
[INDOOR AIR CIRCUIT]							
Number of blowers		1		2			
Diameter of blowers	mm			250			
Width of blowers	mm	275		245		275	
Blower drive				Direct drive			
Fan motor output	kW	0.45		0.21		0.70	
Fan motor run current	A	1.1/1.0		3.2		1.2	
Nominal air quantity	L/s	700		1000		1167	
External static pressure	Pa	100				125	
Supply air dimensions(hxw)	mm	342X781		341X1102		342X1118	
Return air dimensions(hxw)	mm	248X498		248X998			
[EVAPORATOR]							
Number of evaporator				1			
Face area	sq.m	0.3		0.42			
Rows deep				4			
Rows high		15		15			
Finned length	mm	780		1100		1100	
Face velocity	m/s	2.5		2.2		2.8	
Fin per meter / pitch		513/1.95		474/2.11		474/2.11	
Fin material thickness	mm			0.115			
Fin material/Type				Aluminium / Ring			
Fin coating				NA 510 D*1			
Tube diameter	mm			9.52			
Gauge of copper tube	mm			0.35			
Pipe type		Groove tube		Plain tube		Groove tube	
Number of circuit		7		10			
[OUTDOOR AIR CIRCUIT]							
Number of fans		1		2		1	
Diameter of fan	mm			600		800	
Blower drive				Direct drive			
Quantity of motor		1		2		1	
Fan motor output	kW	0.35		2X0.09		0.35	
Fan motor run current	A	1.2		0.7		1.2	
Nominal air quantity	L/s	1583		2783		3333	
[CONDENSER]							
Number of condensers		1		2		1	
Face area	sq.m	1.3		2X2.1		1.58	
Rows deep				2			
Rows high		44		30		44	
Finned length	mm	1000		2706		1400	
Face velocity	m/s	1.56		1.35		1.95	
Fin per meter/Pitch		513/1.95		474 /2.11		513 /1.95	
Fin material thickness	mm			0.115			
Fin material/Type				Aluminium / Ring			
Tube diameter/Gauge	mm			9.52 / 0.35			
Pipe type				Groove tube			
Number of circuit		11		7		11	

Specifications subject to change without notice

*1 Corrosion proof property : Salt spray JIS Z 2371, 500hrs Humidity test 50C 98% 500hrs.

*2 Corrosion proof property : Salt spray JIS Z 2371, 1000hrs Humidity test 50C 98% 1000hrs.

Product number		Indoor unit		PEH-5MYA-EU	PEH-7MYA-EU	PE-8MYA-EU	
		Outdoor unit		PUH-5MYE-EU	PUH-7MYC1-EU	PUH-8MYC1-EU	PUH-8MYE-EU
[ENCLOSURE AND FRAME]							
Dimension	Indoor unit	height	mm	428			
		width	mm	1095	1415		
		depth	mm	650			
Dimension	Outdoor unit	height	mm	1175	980	1175	
		width	mm	1000	1400	1250	
		depth	mm	550	700	550	
External finish (indoor unit)			Galvanized steel				
External finish (outdoor unit)			Acrylic resin coating (Color: Munsell 5Y8/1)				
Panel thickness			mm	1.2			
Condense drain size			mm	25.4			
Weight Indoor unit			kg	60	67	70	
Weight Outdoor unit			kg	150	211	214	188
Sound pressure level (indoor unit)			dB(A)	55		56	
Sound pressure level (outdoor unit)			dB(A)	57	65		
Sound power level (indoor unit)			dB(A)	63		64	
Sound power level (outdoor unit)			dB(A)	68	76		

PEH-10,15,20MYA-EU

[PRODUCT]		PACKAGE AIR COOLED HEATPUMP UNITS			
Product type		PEH SERIES			
Product number :	Indoor unit	PEH-10MYA-EU		PEH-15MYA-EU	PEH-20MYA-EU
	Outdoor unit	PUH-10MYC1-EU	PUH-10MYE-EU	PUH-15MYC1-EU	PUH-20MYC1-EU
Cooling capacity (AS1861)	kW	28.8		44.0	57.6
Sensible Cooling capacity (AS1861)	kW	23.0		35.2	46.0
Cooling power consumption (Input)	kW	10.1		16.8	22.7
Heating capacity (AS1861)	kW	28.8		44.0	57.6
Heating power consumption	kW	8.3		14.1	19.3
Basic temperature condition cooling	Indoor	27°C DB/19°C WB			
Basic temperature condition cooling	Outdoor	35°C DB			
Basic temperature condition heating	Indoor	21°C DB			
Basic temperature condition heating	Outdoor	7 °C DB/6 °CWB			
[ELECTRICAL]					
<Indoor unit>					
Design voltage	Volts	415			
Cycles	Hz	50			
Power supply	Volts	3PH-415V			
Control voltage		240/24			
Voltage change	Max.	Volts 415			
Voltage change	Min.	Volts 380			
Fan motor output	HP(kW)	1.34(1.0)	1.34(1.0)	2.95(2.20)	4.96(3.70)
Fan motor current	Amps	2.0	2.0	4.1	4.7
<Outdoor unit>					
Design voltage	Volts	415			
Cycles	Hz	50			
Power supply	Volts	3PH-415V			
Voltage change	Max.	Volts 415			
Voltage change	Min.	Volts 380			
Fan motor output	HP(kW)	2X0.2(2X0.15)	0.47(0.35)	2X0.47(2X0.35)	
Fan motor current	Amps	1.0	1.2	2X1.2	
[COMPRESSOR]					
Make		MITSUBISHI			
Model		JH527YE	JH521YE	JH527YE	
Type		HERMETIC LINE START (RECIPROCATING)			
Number of compressor		1		2	
Nominal motor	HP(kW)	10.1(7.5)		7.4(5.5)	10.1(7.5)
Locked rotor current	Amps	85		83	85
Normal run current (AS1861)	Amps	19.2		15.5	19.2
Swept volume	cc/rev	201		160.8	201
Bore	mm	ø44.45			
Stroke	mm	25.9			
Speed	rpm	2900			
Number of cylinders		5		4	5
Oil charge	ml	4500		3000	4500
Type of oil		DIAMOND MS32(N-1) OR SUNISO 3GS(D)			
Crankcase heater	watts	72		62	72
[REFRIGERATION SYSTEM]					
Refrigerant		R22			
Refrigerant charge per circuit	kg	9.9		6.6	9.7
Number of refrigerant controls		1		2	
Refrigerant control		Capillary tube			
Reverse cycle valve		4-way valve			
Defrost system		Reverse cycle defrost			
Limit of pipe's length	m	50			
Limit of pipe's height difference	mtrs	20 (In case of indoor unit above outdoor unit)			
	mtrs	30 (In case of outdoor unit above indoor unit)			

Product number	Indoor unit Outdoor unit	PEH-10MYA-EU		PEH-15MYA-EU	PEH-20MYA-EU
		PUH-10MYC1-EU	PUH-10MYE-EU	PUH-15MYC1-EU	PUH-20MYC1-EU
[INDOOR AIR CIRCUIT]					
Number of blowers		2			
Diameter of blowers	mm	250		280	
Width of blowers	mm	275		245	275
Blower drive		Direct drive		Belt drive	
Fan motor output	kW	1.00	1.00	2.20	3.70
Fan motor run current	A	2.0	1.8	4.5	4.7
Nominal air quantity	L/s	1500	1500	2333	3000
External static pressure	Pa	125		200	
Supply air dimensions(hxw)	mm	341X1302	342X1318	412X1000	412X1209
Return air dimensions(hxw)	mm	248X998		596X1415	
[EVAPORATOR]					
Number of evaporator		1		2	
Face area	sq.m	0.50		0.86	0.98
Rows deep		4			
Rows high		15		24	
Finned length	mm	1300		1415	1615
Face velocity	m/s	3.0		2.7	3.0
Fin per meter / pitch		513/1.95		513/1.95	592/1.69
Fin material thickness	mm	0.115			
Fin material/Type		Aluminium / Ring			
Fin coating		NA 510 D* ¹ (NA 549 ²)			
Tube diameter	mm	9.52			
Gauge of copper tube	mm	0.35			
Pipe type		Plain tube	Groove tube		
Number of circuit		10		16	24
[OUTDOOR AIR CIRCUIT]					
Number of fans		2	1	2	
Diameter of fan	mm	600	800		
Blower drive		Direct drive			
Quantity of motor		2	1	2	
Fan motor output	kW	2X0.15	0.35	2X0.35	
Fan motor run current	A	1.0	1.2	1.3	
Nominal air quantity	L/s	3167	3333	2X3083	
[CONDENSER]					
Number of condensers		2	1	2	
Face area	sq.m	2X2.1	1.58	2X1.07	2X1.32
Rows deep		3			
Rows high		30	44	37	
Finned length	mm	2706	1400	2800	
Face velocity	m/s	1.35	1.95	2.89	2.34
Fin per meter/Pitch		474/2.11	513/1.95	474 /2.11	
Fin material thickness	mm	0.115			
Fin material/Type		Aluminium / Ring			
Tube diameter/Gauge	mm	9.52 / 0.35			
Pipe type		Groove tube			
Number of circuit		11	16	11	14

Specifications subject to change without notice

*1 Corrosion proof property : Salt spray JIS Z 2371, 500hrs Humidity test 50°C 98% 500hrs.

*2 Corrosion proof property : Salt spray JIS Z 2371, 1000hrs Humidity test 50°C 98% 1000hrs.
(anti corrosion as special order)

Product number		Indoor unit		PEH-10MYA-EU		PEH-15MYA-EU	PEH-20MYA-EU
		Outdoor unit		PUH-10MYC1-EU	PUH-10MYE-EU	PUH-15MYC1-EU	PUH-20MYC1-EU
<i>[ENCLOSURE AND FRAME]</i>							
Dimension	Indoor unit	height	mm	428		706	
		width	mm	1615		1690	1993
		depth	mm	650		865	
Dimension	Outdoor unit	height	mm	980	1175	1200	
		width	mm	1400	1250	1951	
		depth	mm	700	550	1080	
External finish (indoor unit)				Galvanized steel			
External finish (outdoor unit)				Acrylic resin coating (Color: Munsell 5Y8/1)			
Panel thickness			mm	1.2			
Condense drain size			mm	25.4			
Weight Indoor unit			kg	84		180	212
Weight Outdoor unit			kg	240	221	431	472
Sound pressure level (indoor unit)			dbA	59		61	62
Sound pressure level (outdoor unit)			dbA	65		69	
Sound power level (indoor unit)			dbA	67		69	70
Sound power level (outdoor unit)			dbA	76		80	

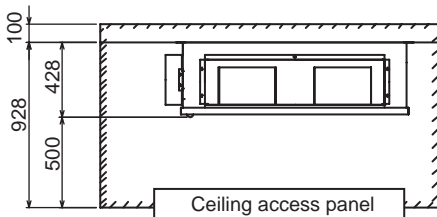
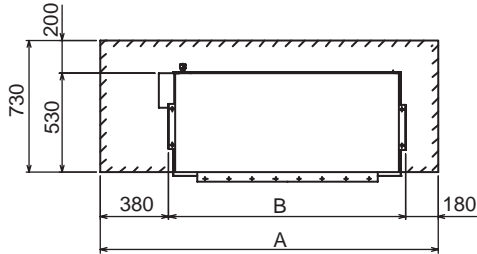
INSTALLATION

1. Space required around unit.

Indoor unit

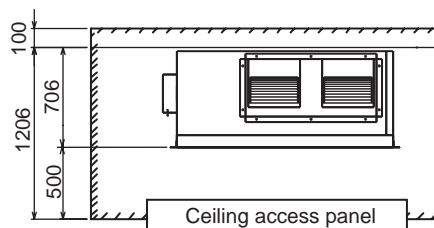
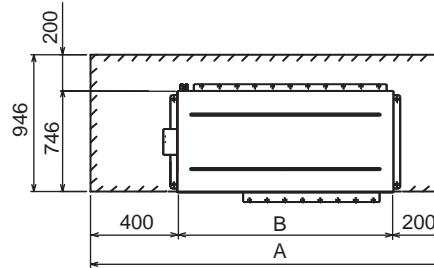
Dimension of the unit and space necessary for servicing.

PEH-5 PE(H)-7, 8, 10



	A	B
PEH - 5	1560	1000
PE(H) - 7, 8	1880	1320
PE(H) - 10	2080	1520

PE(H)-15,20



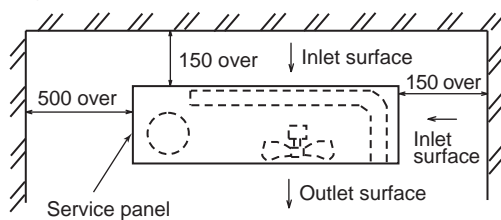
	A	B
PE(H) - 15	2187	1587
PE(H) - 20	2490	1890

Outdoor unit

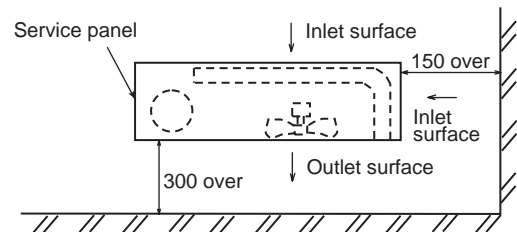
Secure enough space necessary for servicing, installing, and for proper function of the unit. To prevent short-cycling, remove obstacles as much as possible.

PUH-5, 8, 10 (Side blow)

(1) At a single installation

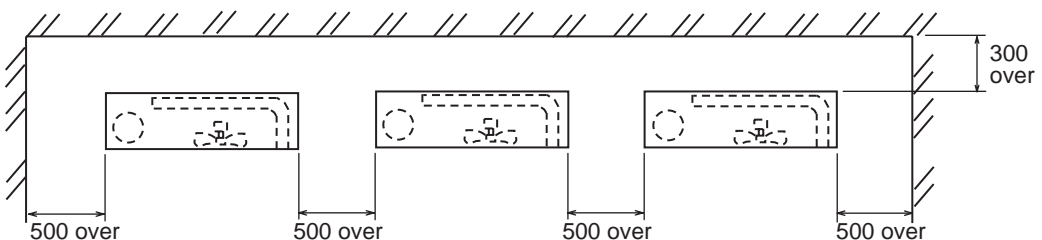


With the inlet surface facing a wall.



With the outlet surface facing a wall.

(2) Relation of unit when many set up unit.



Please set the unit that the inlet air and the outlet air are not influenced.

PU(H)-7,8, 10 (Upper blow)

(1) At a single installation

The obstacle is on the outlet side. (Fig 1)

The obstacle is in three directions. (Fig 2,3)

The obstacle is in four directions. (Fig 4)

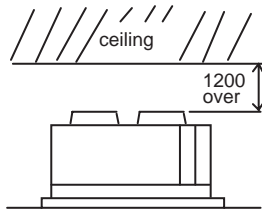


Fig 1

The right and left side and the back and forth side must be opened.

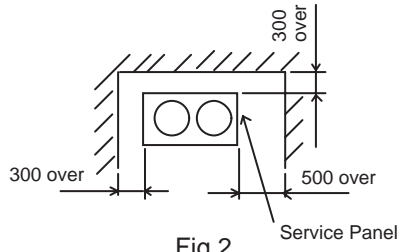


Fig 2

However, the outlet side must be opened.

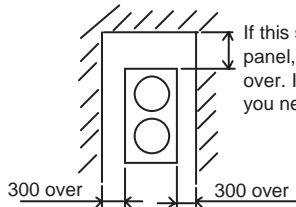


Fig 3

If this side is service panel, you need 500 over. If this side is inlet, you need 300 over.

However, if the service panel is an interior side, the right or left side need 500 over.

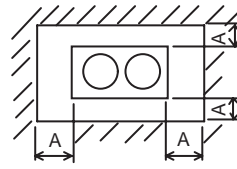


Fig 4

All "A" is 500 over. However, outlet side must be opened. And the obstacle in two directions must be lower than the unit.

(2) Relation of unit when many set up unit. (Fig 5,6,7)

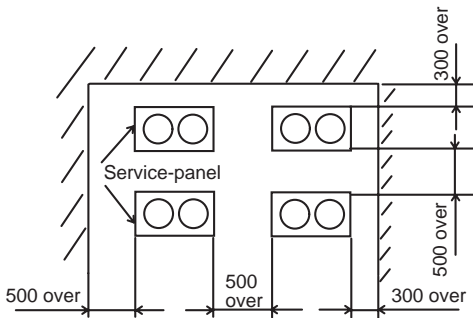


Fig 5

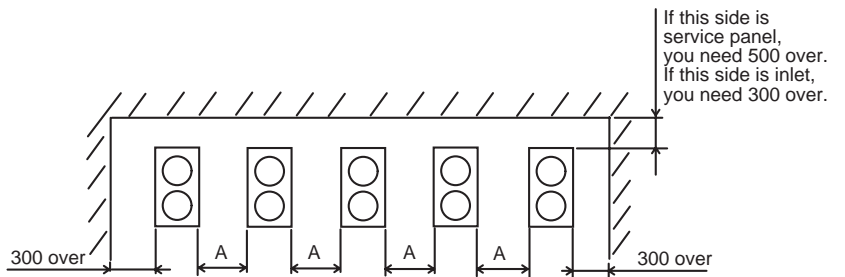


Fig 6 All "A" is 500 over.

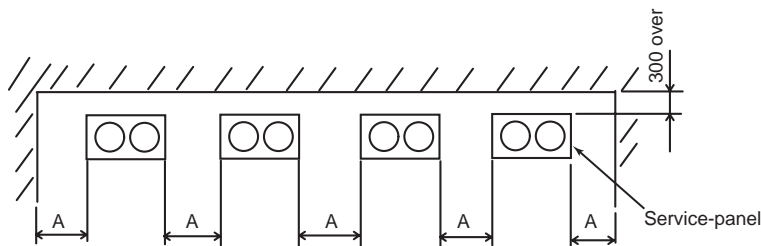


Fig 7 All "A" is 500 over in any case.

PU-15

(1) At a single installation

The obstacle is on the outlet side. (Fig 1)

The obstacle is in four directions. (Fig 2)

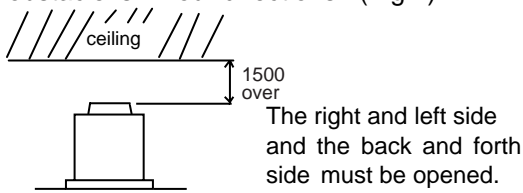


Fig 1

The right and left side and the back and forth side must be opened.

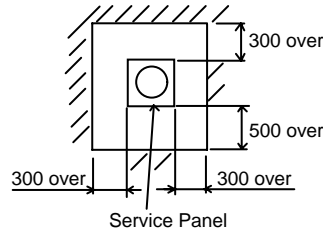


Fig 2

However, the outlet side must be opened.

(2) Relation of unit when many set up unit. (Fig 3,4)

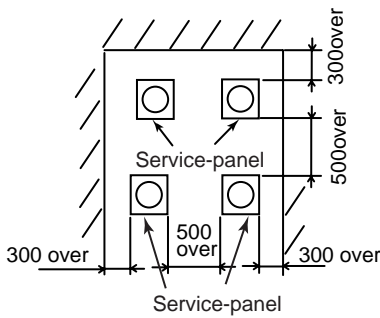


Fig 3

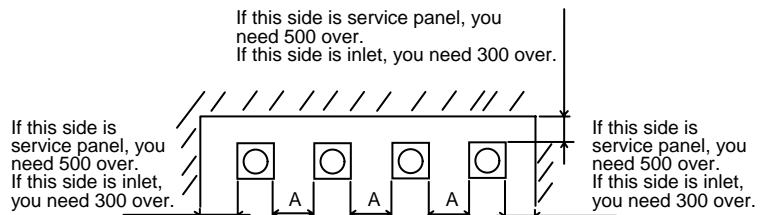


Fig 4 All "A" is 500 over.

PU-20

(1) At a single installation

The obstacle is on the outlet side. (Fig 1)

The obstacle is in four directions. (Fig 2)

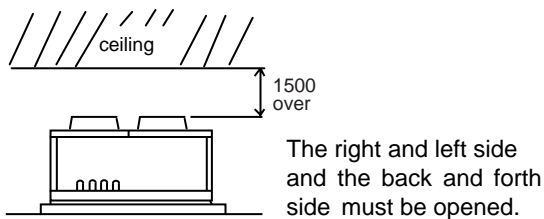


Fig 1

The right and left side and the back and forth side must be opened.

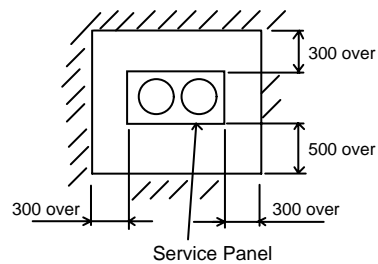


Fig 2

However, the outlet side must be opened.

(2) Relation of unit when many set up unit. (Fig 3,4,5)

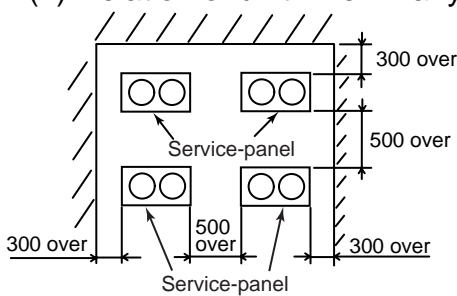


Fig 3

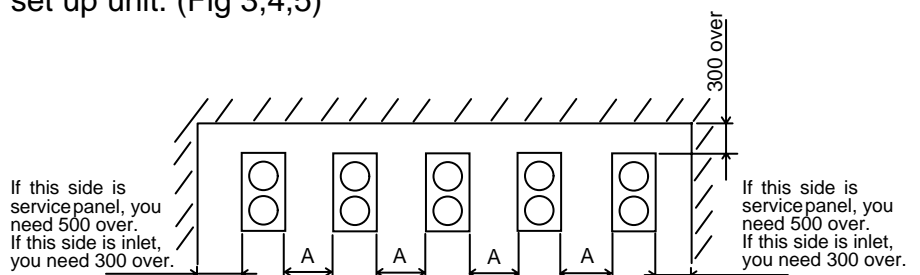


Fig 4 All "A" is 500 over.

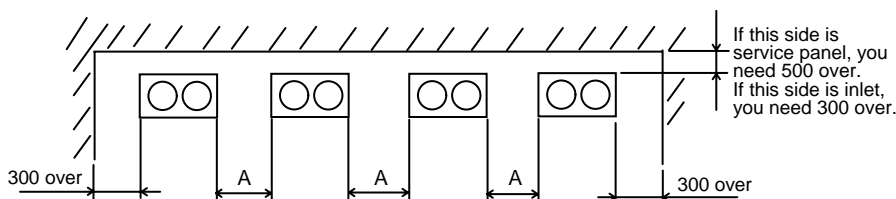


Fig 5 All "A" is 500 over in any case.

(1) At a single installation

The obstacle is on the outlet side. (Fig 1)

The obstacle is in four directions. (Fig 2)

The obstacle is in three directions. (Fig 3,4)

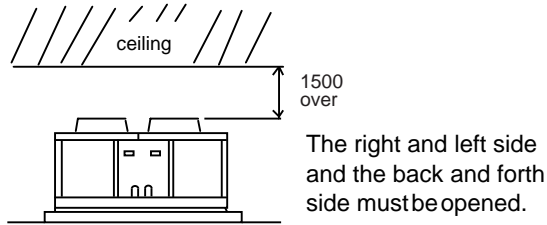


Fig 1

The right and left side and the back and forth side must be opened.

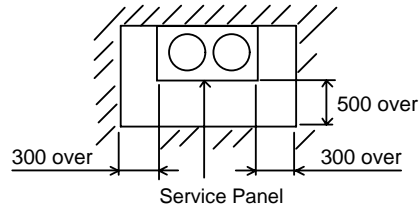


Fig 2

However, outlet side must be opened. And the obstacle in two directions must be lower than the unit.

However, the outlet side must be opened.

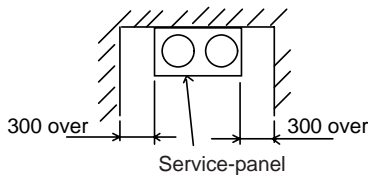


Fig 3

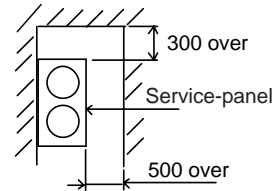


Fig 4

(2) Relation of unit when many set up unit. (Fig 5,6,7)

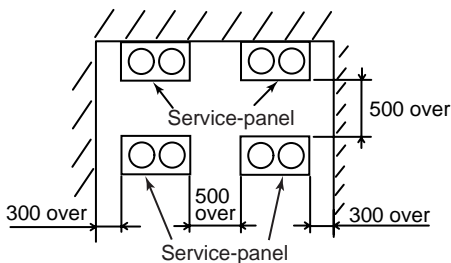


Fig 5

If this side is servicepanel, you need 500 over.
If this side is inlet, you need 300 over.

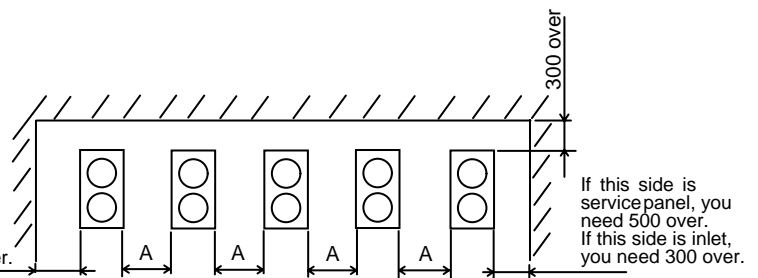


Fig 6 All "A" is 500 over.

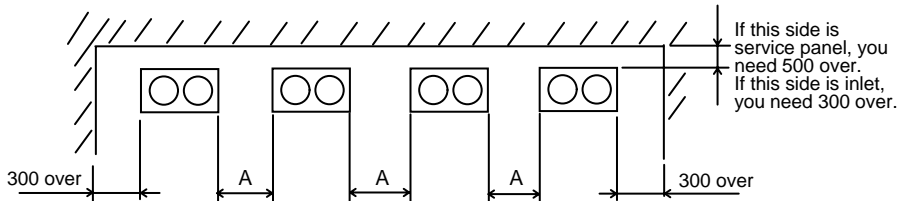


Fig 7 All "A" is 500 over in any case.

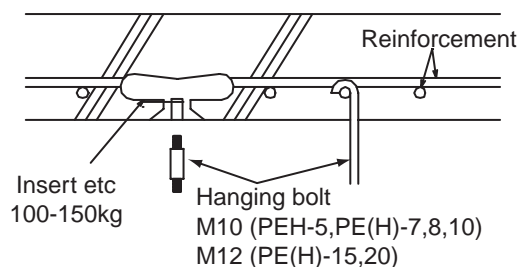
2. Preparation before installing

Indoor unit

Please use the specified hanging bolt in any case.

Hanging bolt is local supply.

Please use the method below or use the angle and the rectangular lumber, etc. and install the hanging bolt.

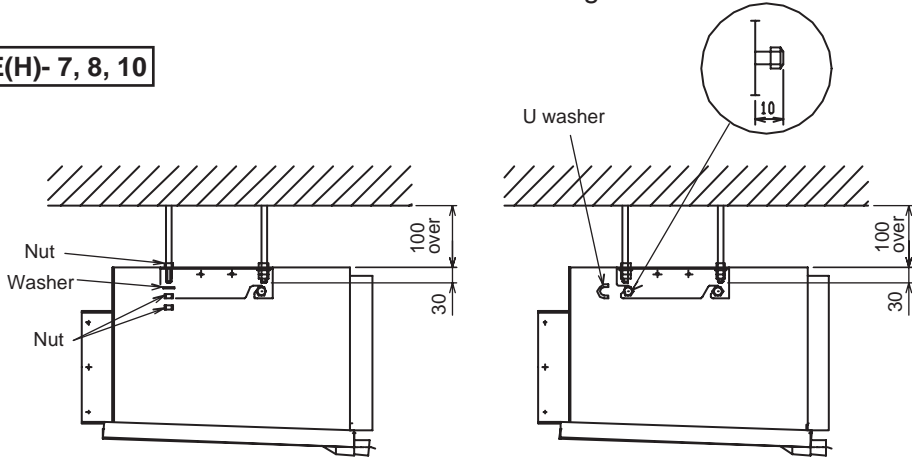


3. Installation of the unit.

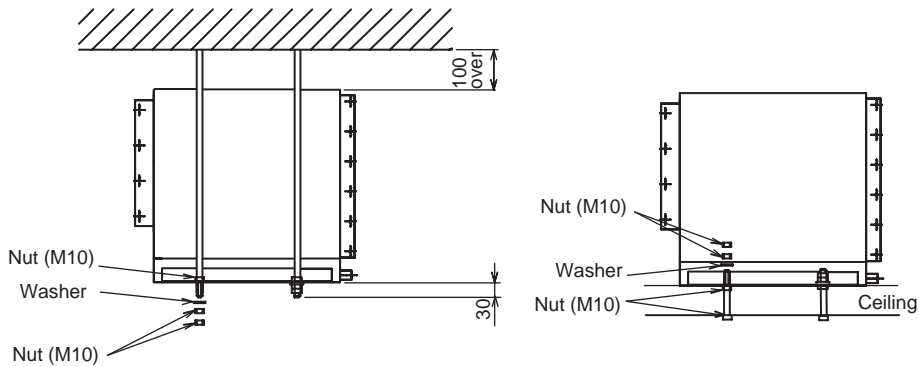
Indoor unit

Please carry the packed until parallelly to installed place.
Please install the unit before construction of the ceiling -lined.

PEH-5 PE(H)- 7, 8, 10

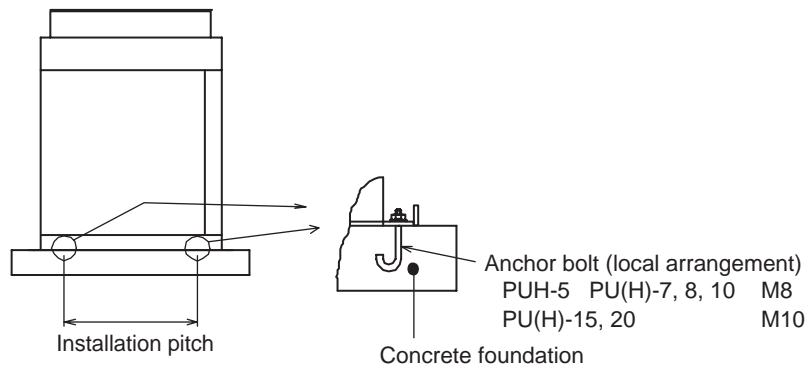


PE(H)- 15, 20



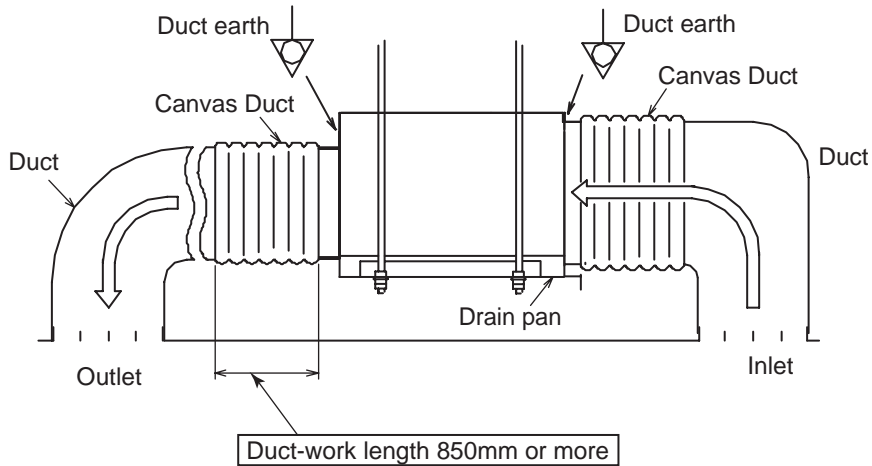
Outdoor unit

Fix unit tightly with bolts as shown below so that unit will be securely fixed in place use concrete or angle foundation of unit.
At the time of bottom piping of refrigerant pipe, build a 100mm or higher foundation so that piping will go through bottom of unit.



Duct construction.

Provide canvas flexible ducting between unit when connect to the duct-work.
The duct unit must use a nonflammable material.
Provide sufficient insulation for prevent dewdrop.



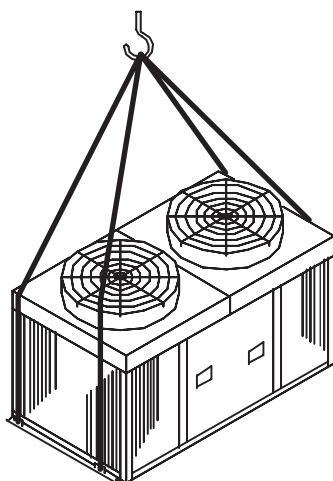
Lifting method.

When the unit is to be lifted and moved, attach ropes to the suspension plates(3 p.c.s) provided on the top of the unit.

When the unit is lifted, it's center of gravity tends to shift the unit one side and so balance, such as that in the figure below, should be attained.

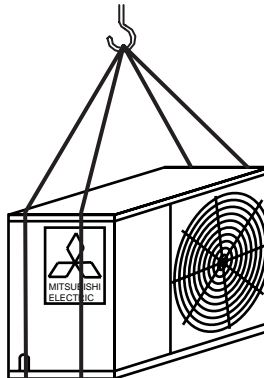
The angles at which the ropes suspend the unit should be at least 60° at the compressor end and at least 45° at the condenser end. Care should be taken to avoid contact with the main unit while carrying.

It is necessary to protect the unit with the blanket so that the ropes should not injure the unit.



Example PUH-15, 20

Hook (as directly aligned over the center of gravity as possible.



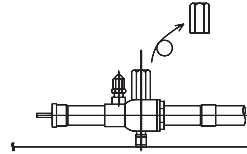
Piping connection

⚠ Warning.

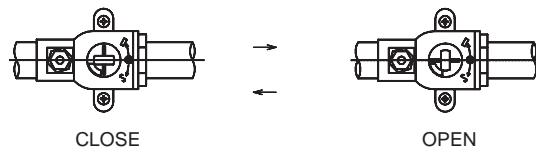
Please follow the following procedures, during the piping connection work is carried out. If the procedures are not followed properly, the refrigerant and valve sheet might gush out from the ball valve. It might cause the injury.

In case of Brazing type

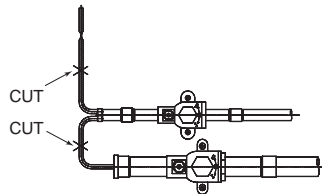
1. Open the ball valve cap before removing the by-pass tube. Then, turn the knob of the ball valve from 'close' to 'open' position.



2. Please repeat to close and open the ball valve of gas and liquid side at the same time (3 times or more). And finally make sure the ball valve is at close position.



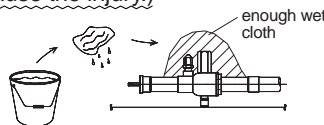
3. Cut part A (two places) of the by-pass tube as shown in figure below.



⚠ Caution

There will be small amount of refrigerant gushed out of the by-pass tube at the moment.

4. Make sure that the ball valve is wrapped with enough wet cloth, during the brazing of the by-pass tube (for cooling purpose). Make sure the temperature of ball valve is below 100 degree centigrade. (If the temperature of the ball valve is over 100 degree centigrade, the refrigerant and valve sheet might gush out from the ball valve. It might cause the injury.)



5. Please make sure the ball valve is cool enough when removing the by-pass tube. Wait for a while for further cooling of the ball valve, before the piping connection work begins.
6. When the piping connection begins. Again, make sure that the ball valve is wrapped with enough wet cloth, during the brazing for cooling the ball valve. Make sure the temperature of ball valve is below 100 degree centigrade. (If the temperature of the ball valve is over 100 degree centigrade, the refrigerant and valve sheet might gush out from the ball valve. It might cause the injury.)
7. Before charging the refrigerant, vacuum the pipes to clear all the air and water.
8. Charge the additional amount of refrigerant according to the table.
9. Turn the knob of the ball valve to 'open' position after leak check.
10. Finally, put the cap back to the ball valve.

In case of Flare, Flange type

1. PROCEDURE TO CONNECT THE EXTENSION PIPE.

Proceed with the connection as follows:

- (1) Open the ball valve cap before cutting the by-pass tube.(Fig.1)
- (2) Check the ball valve section is completely closed.(Fig.2)
- (3) Cut two parts of the by-pass tube.(Fig.4)

⚠ Caution
There will be small amount of refrigerant gushed out of the by-pass tube at the moment.

- (4) Remove the connection pipe assy.(Fig.5)
Throw away the packing.
Do not brazing the pipe while the flange assy connect the ball valve. (Except the PUH-5)
- (5) Remove the by-pass tube.(Fig.6)
Braze the extension pipe with the flange assy. (Except the PUH-5)
- (6) Connect the extension pipes with the packing between the ball valve and the flange.(Fig.7)
Use the attached new packing certainly.

2. HANDLING PRECAUTIONS.

- (1) The extension pipes should be connected with the valve knob completely closed. (Fig.2)
Check leak test the part of flange and flare.
- (2) Before charging the refrigerant, vacuum the pipes to clear all the air and water.
- (3) Charge the additional amount of refrigerant according to the table.
- (4) Turn the ball valve knob to "Open" position after leak check again. (Fig.3)
- (5) Finally, put the cap back to the ball valve.

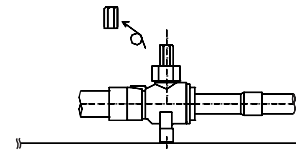
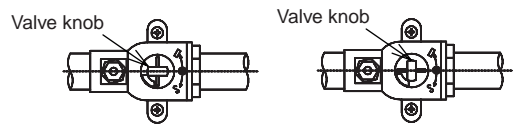


Fig. 1



Close Fig. 2

Open Fig. 3

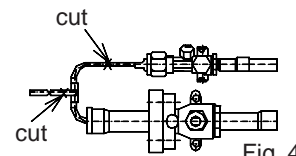


Fig. 4

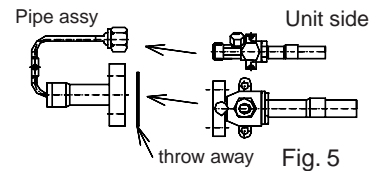


Fig. 5

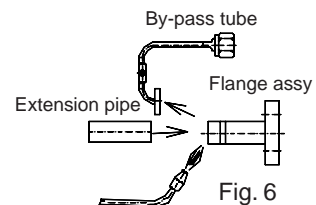
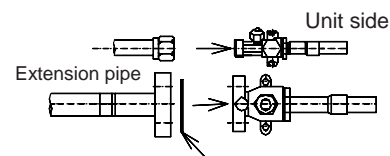


Fig. 6



use the attached new packing Fig. 7

4. Refrigerant piping.

Extension piping and installation parts are field supply. Perform the work only after carefully reading the appropriate instructions.

Install the unit where the refrigerant piping is shortest, the difference between the indoor unit and outdoor unit is smallest.

As pipes purchased in the market may contain dust, blow them off with dry inlet gas.

Take care not to allow dust and water content to enter the piping during pipe processing or installing.

Minimize the number of bends, and make the bending radius as long as possible.

Always observe the restriction(allowable length, height difference, pipe diameter) on the refrigerant piping.

For soldering & brazing, use high-quality materials.

Never purge air with a refrigerant. Always use a vacuum pump for purging.

Provide proper insulation to the piping . Insufficient insulation cause poor cooling/heating performance or condensation drip, leading to unexpected trouble.

Do not insulate gas or low pressure pipe and liquid or high pressure pipe together.

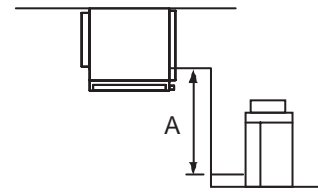
For the connection of the refrigerant piping, leave the valve of the outdoor unit fully closed (as set before shipment), and do not operate it until the connection between the indoor/outdoor units and refrigerant piping, refrigerant leak test and evacuation work have been completed.

The maximum permissible values are shown below.

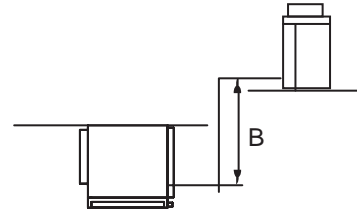
Remove the cover (grommet) attached sheet metal at exit of heat exchanger pipe of indoor unit before connecting the local piping.

(This cover is protect the pipe from sheet metal edge at unit transportation.)

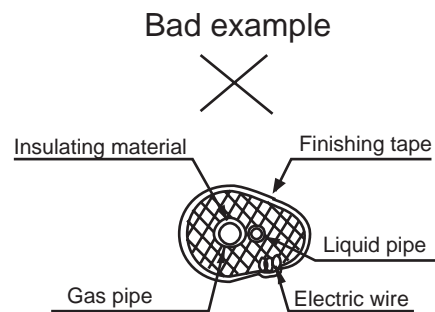
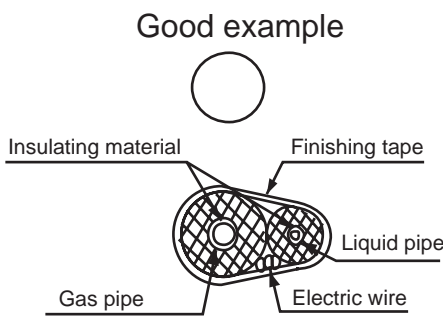
Please insulate liquid pipe & gas pipe (two places for each) with an insulated pipe of the attachment after connecting piping.



When the outdoor unit is lower.



When the outdoor unit is higher.



		PEH-5	PE(H)-7	PE(H)-8	PE(H)-10	PE(H)-15	PE(H)-20
Dimension A (m)		20	20	20	20	20	20
Dimension B (m)		30	30	30	30	30	30
Number of bends		15	15	15	15	15	15
Total piping length (m)		50	50	50	50	50	50
Piping size	Liquid pipe (mm)	12.7	15.88	15.88	15.88	2x15.88	2x15.88
	Gas pipe (mm)	19.05	25.4	25.4	28.6	2x25.4	2x28.6

Airtight test

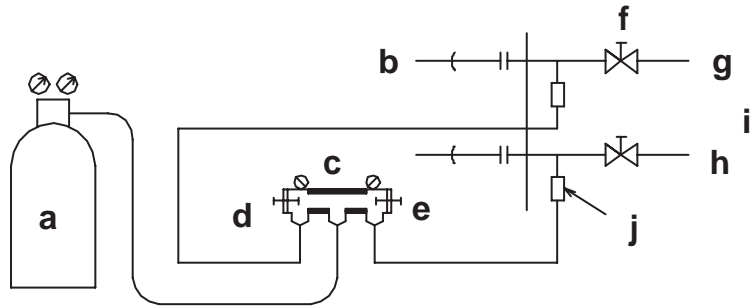
Airtight test should be made by pressurizing nitrogen gas to 3Mpa.

For the test method, refer to the following figure.

(Make a test with the valve closed. Be also sure to pressurize both liquid and gas pipe.)

The test result can be judged good if the pressure has not been reduced after leaving for about one day after completion of nitrogen pressurization.

a.	Nitrogen gas
b.	To indoor unit
c.	System analyzer
d.	Low knob
e.	High knob
f.	Valve
g.	Liquid gas
h.	Gas pipe
i.	Outdoor unit
j.	Service port



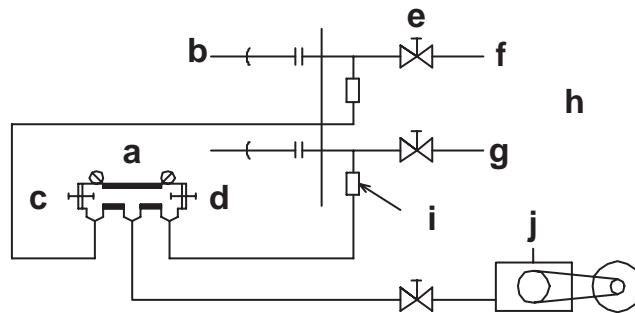
Evacuation

Evacuation should be made from the service port provided on the outdoor unit's valve to the vacuum pump commonly used for both liquid pipe and gas pipe.

(Make evacuation from both liquid pipe and gas pipe with valve closed.)

Remember :Never carry out air purge by refrigerant.

a.	System analyzer
b.	To indoor unit
c.	Low knob
d.	High knob
e.	Valve
f.	Liquid gas
g.	Gas pipe
h.	Outdoor unit
i.	Service port
j.	Vacuum pump



Additional refrigerant charge

The amount of refrigerant charged in this unit is appropriate for 5-meter long refrigerant pipes. Refer to the table below and add the corresponding amount of refrigerant if the pipes are extended.

(The refrigerant is charged in the outdoor unit.)

The outdoor unit of PE-5,8,10 have side blow type and upper blow type.

Factory charge refer to the table below.

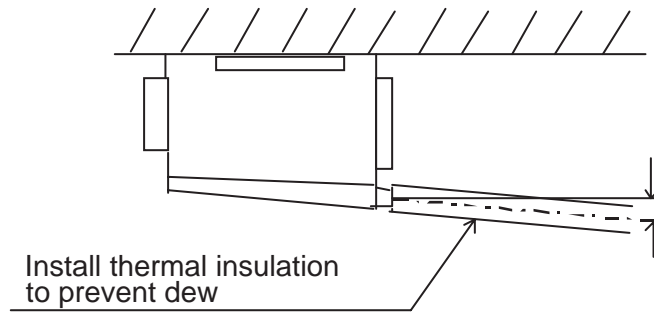
charge amount R-22 (kg)	unit	Refrigerant piping length									
		5m	10m	15m	20m	25m	30m	35m	40m	45m	50m
	PU-7	0	0.8	1.6	2.4	3.2	4.0	4.8	5.6	6.4	7.2
	PU-8										
	PU-10										
	PU-15	0	2x0.8	2x1.6	2x2.4	2x3.2	2x4.0	2x4.8	2x5.6	2x6.4	2x7.2
	PU-20										
	PUH-5	0	0.5	1.0	1.5	2.0	2.5	3.0	3.5	4.0	4.5
	PUH-7	0	0.8	1.6	2.4	3.2	4.0	4.8	5.6	6.4	7.2
	PUH-8	0	0.8	1.7	2.5	3.3	4.2	5.0	5.8	6.7	7.5
	PUH-10										
	PUH-15	0	2x0.8	2x1.7	2x2.5	2x3.3	2x4.2	2x5.0	2x5.8	2x6.7	2x7.5
PUH-20											

charge amount R-22 (kg)	Factory charge			
	Outdoor unit			
	Side blow		Upper blow	
	—	PU-7	5.7	
	—	PU-8	5.0	
	—	PU-10	8.7	
	—	PU-15	2x4.8	
	—	PU-20	2x9.7	
	PUH-5	5.0	—	
	—	PUH-7	5.7	
	PUH-8	6.6	PUH-8	6.6
	PUH-10	9.9	PUH-10	9.9
—	PUH-15	2x6.6		
—	PUH-20	2x9.7		

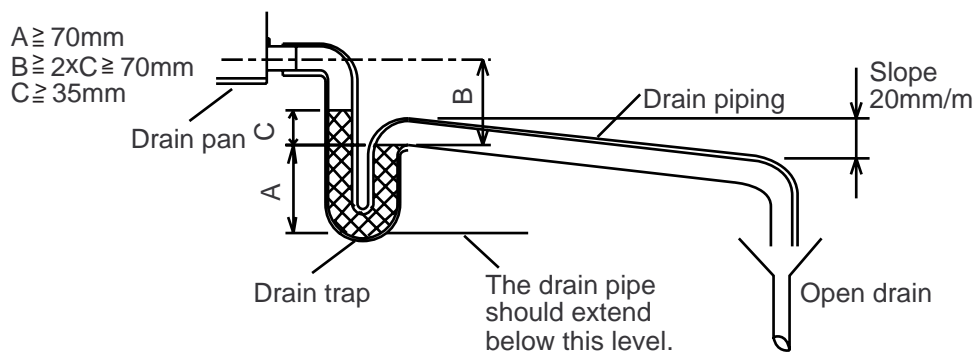
5. Drain piping

- Incline the drain piping to the outside (drain side) as shown in the figure below.
- The outlet of the indoor unit drain pipe is Rc1.
- After completion of piping, confirm that drainage is good and that there are no leaks.

Indoor unit drain piping



The drain piping should have a drain trap.



6. Electric wiring

Construct the earth connection.

All electrical work must be carried out by a suitable qualified electrical trades-person and in accordance with local supply authority requirements and associated regulators.

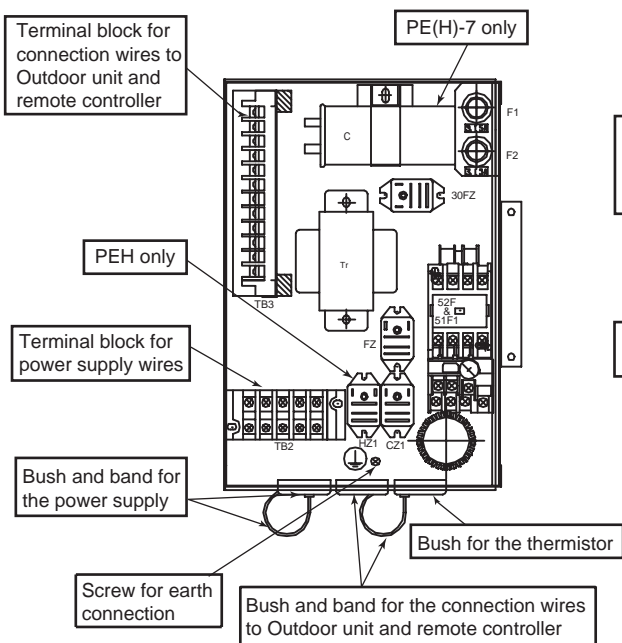
The outdoor unit is to be wired directly from an electrical distribution board either by a circuit breaker (preferred) or HRC fuse.

Fix power source wiring to control box by using buffer bushing for tensile force (PG connection or the like). Connect control wiring to control terminal block through the knockout hole of control box using ordinary bushing.

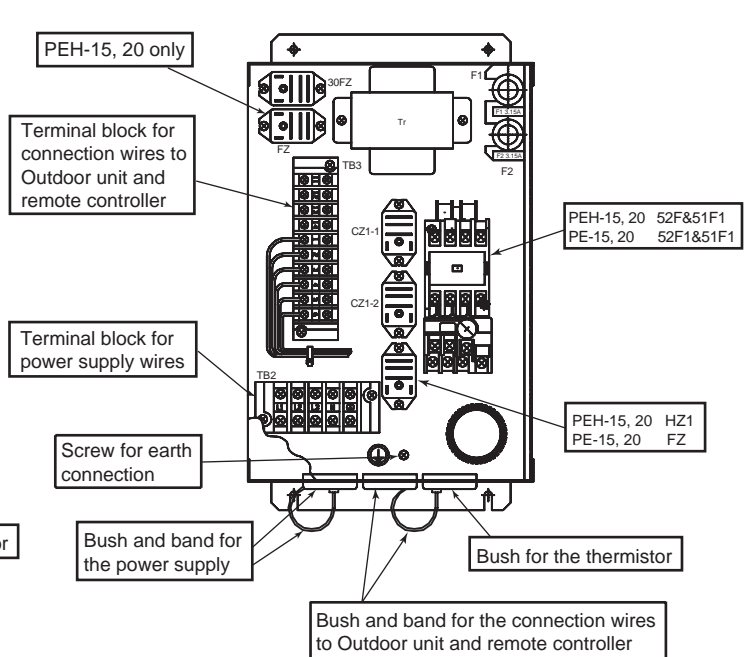
NOTE: Earth wiring must be connected.

Arrangement such as terminal block in control box

Control module of indoor unit PEH-5, PE(H)-7, 8, 10

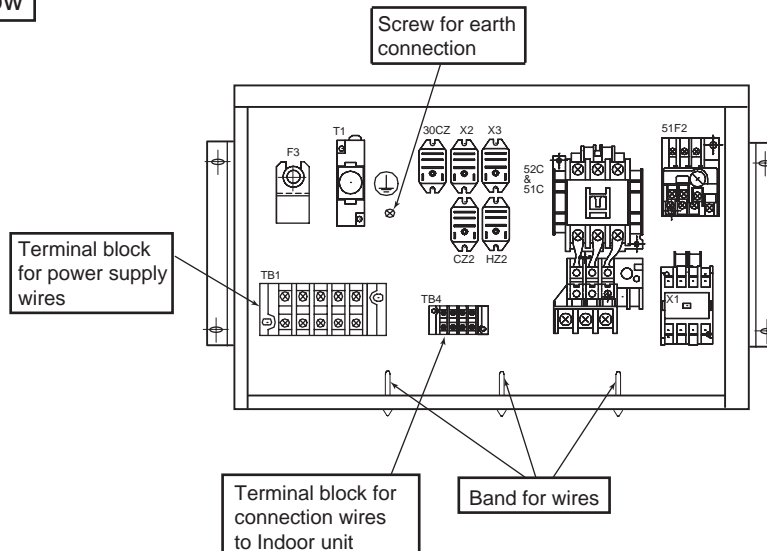


Control module of indoor unit PE(H)-15, 20

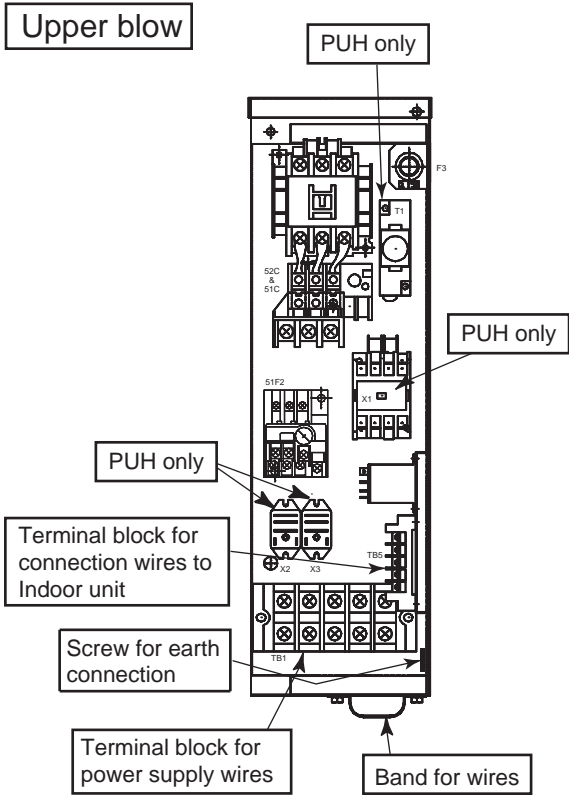


Control module of outdoor unit (PUH-5, 8, 10)

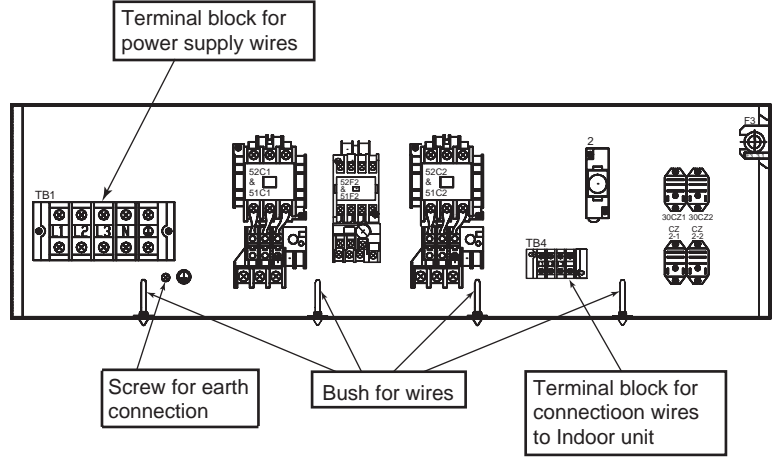
Side blow



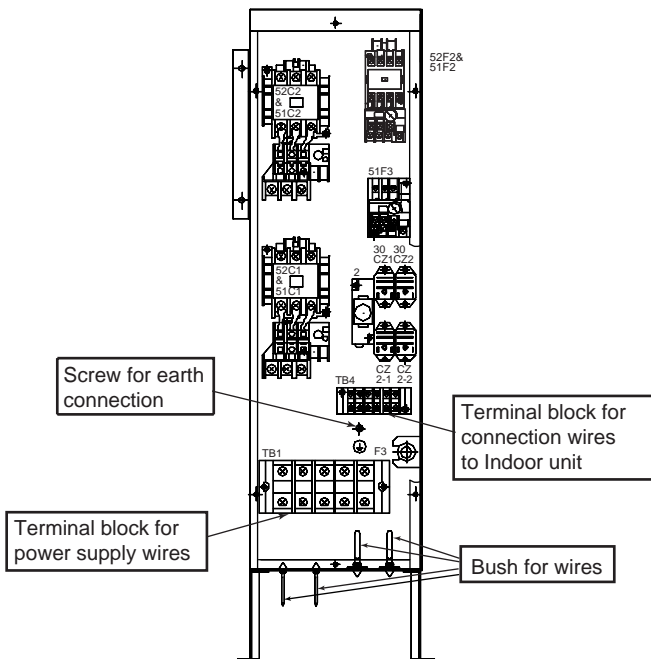
Control module of outdoor unit PU(H)-7, 8, 10



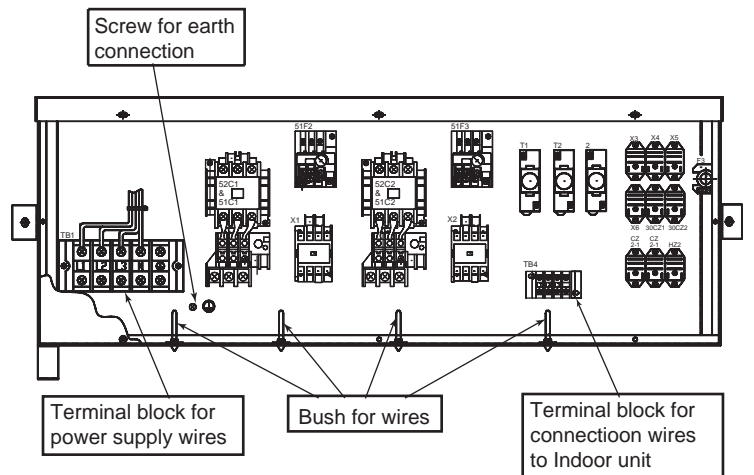
Control module of outdoor unit PU-15



Control module of outdoor unit PU-20



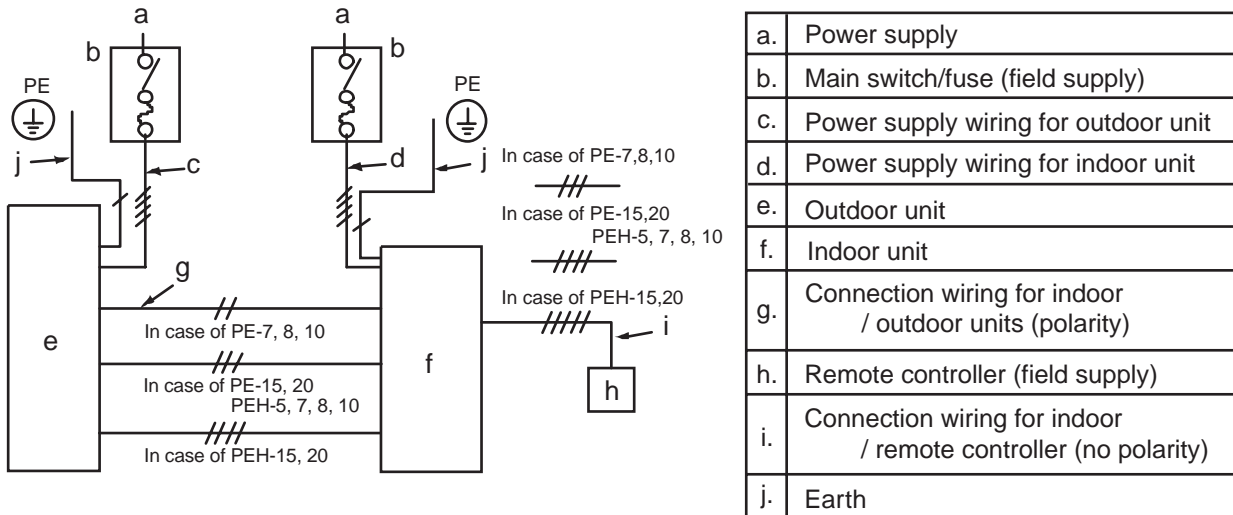
Control module of outdoor unit PUH-15,20



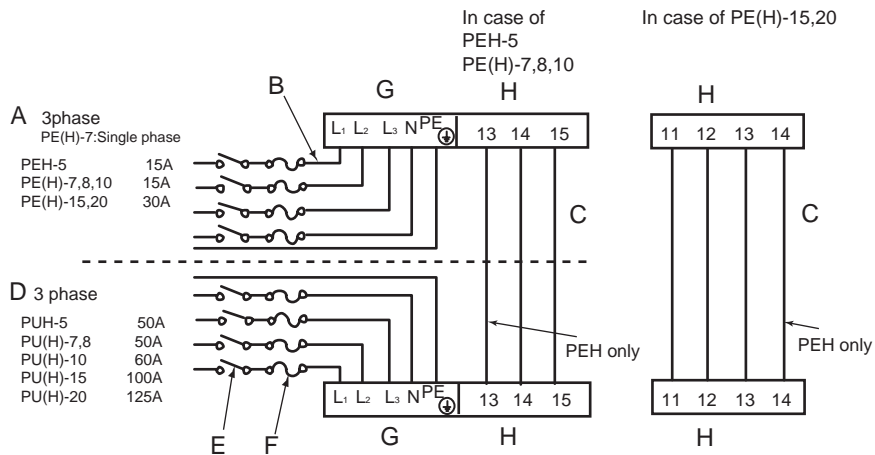
Method for connecting electric wire

Please do the wiring after consulting the electric power company of jurisdiction beforehand in the instruction.

(1) The entire wiring diagram of unit.



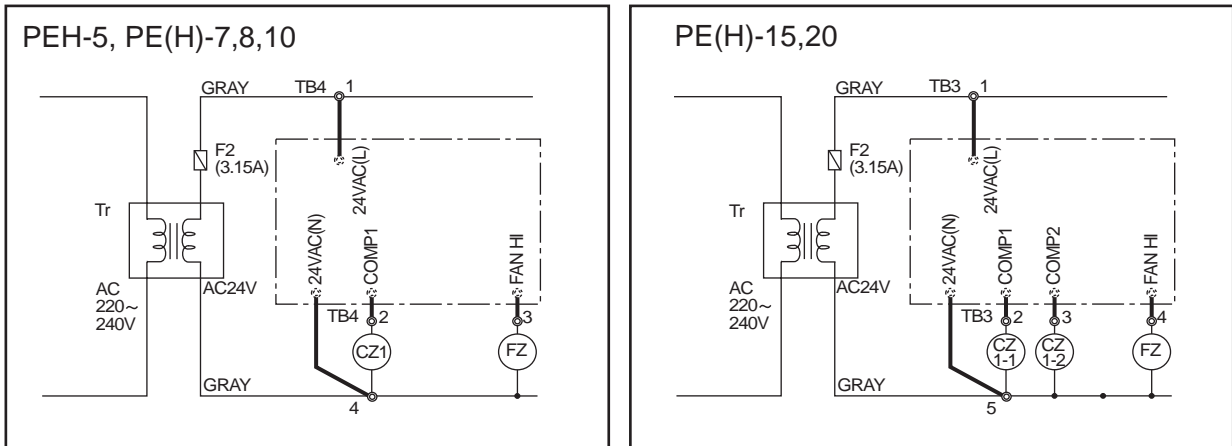
(2) Power supply construction and electric wiring connection of indoor and outdoor unit.



A.	Indoor unit
B.	Power cable wiring
C.	Control cable wiring (Fixing wire-- Do not remove)
D.	Outdoor unit
E.	Breaker
F.	Fuse
G.	Power supply terminal bed
H.	Control cable terminal bed

(3) Indoor unit and remote controller.(OPTION:PAC-204RC)

Connect the wires on the basis of the following wiring diagram.



(4) Wiring example (For metal piping)

	Power cable	Breaker capacity	Over current protection switch	Earth cable	Control wiring
PEH - 5	2.0mm ²	15A	15A	2.0mm ² over	Cable or wire of 0.75mm ² (24VDC)
PE(H) - 7	2.0mm ²	15A	15A	2.0mm ² over	
PE(H) - 8	2.0mm ²	15A	15A	2.0mm ² over	
PE(H) -10	2.0mm ²	15A	15A	2.0mm ² over	
PE(H) -15	2.0mm ²	30A	30A	2.0mm ² over	
PE(H) -20	2.0mm ²	30A	30A	2.0mm ² over	
PUH - 5	8mm ²	50A	50A	8mm ² over	Cable or wire of 0.75mm ² (24VDC)
PU(H) - 7	8mm ²	50A	50A	8mm ² over	
PU(H) - 8	8mm ²	50A	50A	8mm ² over	
PU(H) -10	14mm ²	60A	60A	14mm ² over	
PU(H) -15	14mm ²	100A	100A	14mm ² over	
PU(H) -20	22mm ²	125A	125A	22mm ² over	

The grounding wire must be of the same diameter as the power cable wires. Table above is an example. The selection of other capacities should be determined in accordance with the relevant standards.

(5) Selecting earth leakage breaker (NV)

To select NF or NV instead of a combination of Class B fuse switch use the following. In the case of Class B fuse rated 15A.

	Fuse (class B)	Earth leakage breaker (with over-load protection)		
PEH - 5	15A	NV30-CA	15A	30mA 0.1s or less
PE(H) - 7	15A	NV30-CA	15A	30mA 0.1s or less
PE(H) - 8	15A	NV30-CA	15A	30mA 0.1s or less
PE(H) - 10	15A	NV30-CA	15A	30mA 0.1s or less
PE(H) -15	30A	NV50-CP	30A	30mA 0.1s or less
PE(H) -20	30A	NV50-CP	30A	30mA 0.1s or less
PUH - 5	50A	NV50-CA	50A	100mA 0.1s or less
PU(H) - 7	50A	NV50-CA	50A	100mA 0.1s or less
PU(H) - 8	50A	NV50-CA	50A	100mA 0.1s or less
PU(H) - 10	60A	NV60-CA	60A	100mA 0.1s or less
PU(H) - 15	100A	NV100-CP	100A	100mA 0.1s or less
PU(H) - 20	125A	NV225-CP	125A	100mA 0.1s or less

NV is a product of MITSUBISHI ELECTRIC. Table above is an example. The selection of other capacities should be determined in accordance with the relevant standards.

Note.
All electrical wiring must be comply with local electrical authority regulations.

7. The putting condition of the belt.

(PE(H)-15,20 only)

1. Set the parallel angle of the fan and the motor pulley as shown in the table and figure 1 below.
2. Set the tension of the per one belt when the flexion load is within the range as shown in the figure 1 below at the proper flexion. (A=4.5mm)
3. Adjust the suitable tension after the belt sit properly across the pulley (after more 24-28 hours working).
When the new belt is used, adjust the suitable tension about the 1.3 times of the maximum value of the flexion load.
4. Readjust the belt every 2,000 hours after the first adjustment.
Exchange the belt when the belt's surroundings length has expanded by 2% including the first expansion of the belt. (about 1%)
(about 8,000 hours converted working time)

table

parallel angle	K (")	note
pulley	10 or less	gap of 3mm every 1m

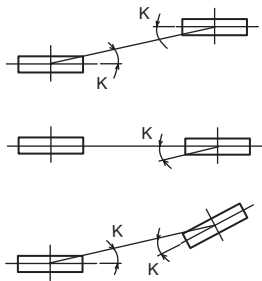


Figure1 Parallel degree of pulley

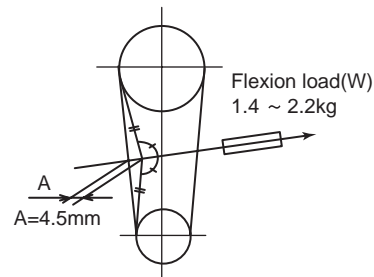


Figure2 Belt tension

8. Before starting the Trial run.

Check items

- (1) Check to see whether there are refrigerant leakage, and slack power or transmission cable.
- (2) Confirm that 500V megohmmeter shows 1.0M ohm or more between power supply terminal and ground.
- (3) Do not operate in the case of 1.0M ohm or less.
Note : Never carry out megger-ohm check over terminal control board.
Otherwise the control board would be broken.
- (4) Check to see whether both gas and liquid valves are fully opened.
Note : Be sure to tighten caps.
- (5) Turn universal power supply at least 6 hours before getting test run in order to current to crank heater.
If current-carrying hours are too short, it may result in a malfunction of compressor.
- (6) Confirm operation of high-pressure switch.
If the two lead wires of the outdoor unit fan motor are disconnected from the connector and cooling is performed, the high-pressure switch should operate and stop the unit after 5 to 10 minutes.
- (7) Confirm that the fans of the indoor and outdoor unit rotate in the correct direction.
Change the power supply phase connections if it is rotating in the reverse direction.

Perform trial operation after completion of the above items.

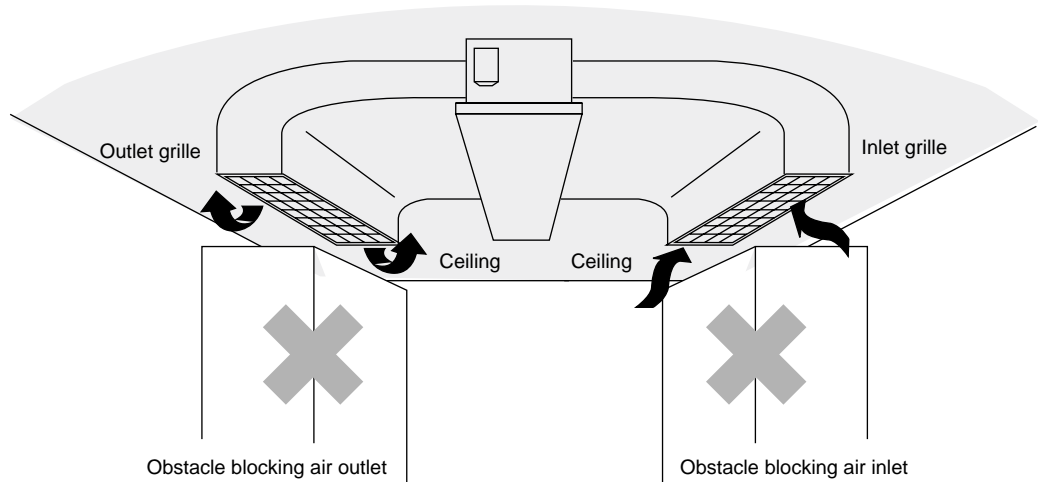
INSTRUCTIONS FOR USE

1. Check points for operation.

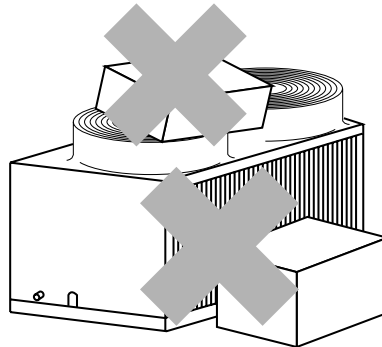
Check the following points before you operate your air conditioner.

(1) Check that there is nothing blocking the flow of air from the air outlet into the air inlet.

Indoor unit

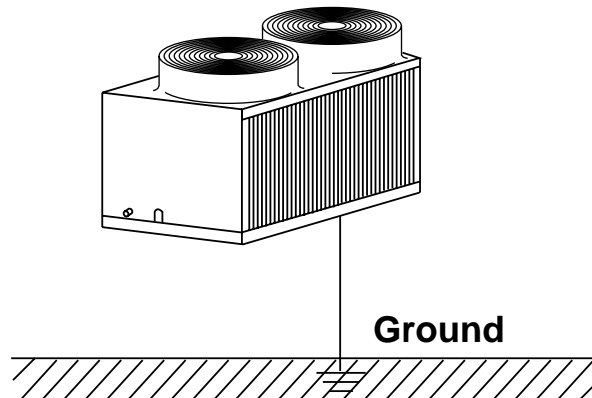


Outdoor unit



Obstacle blocking air inlet.

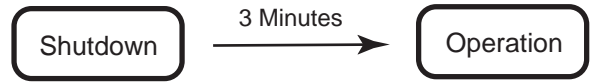
(2) Make sure the air conditioner is properly grounded by checking the ground terminal.



2. Caution for use.

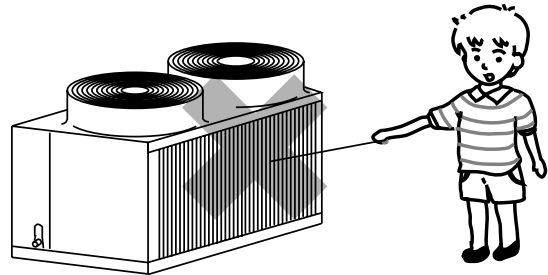
Keep the following points in mind to safeguard against failures and breakdowns.

- (1) This air conditioner does not restart within 3min. after shut down.
 (These models have a crankcase heater in the compressor. If the air conditioner is shut down for a short time, please do not turn the power switch to OFF, but turn the operation switch to OFF.)



- (2) If the air conditioner is shut down by a power failure, set the operation switch to OFF. When the power is restored, normal air conditioner operation can be resumed.

- (3) Do not stick rods or other objects through the air outlet during operation since this may result in equipment damage or personal injury.



3. Maintenance.

For superior performance and lasting durability, please do not forget to conduct proper and regular maintenance.

⚠ Warning
1. Do not wash the unit with water.
 If washed with water, electrical shock may be caused.
2. Ahead of the maintenance.
 For safety, turn the power source off before service work.

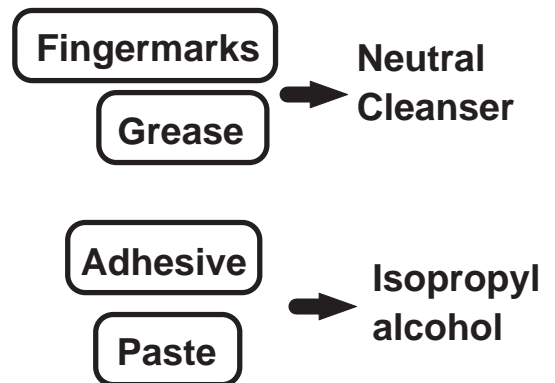
3.1 Cleaning the Air Filter

Clean the air filter about once a week with a neutral cleanser and leave it to dry in a shady location. Clean more regularly if the air filter gets very dirty. If the filter gets blocked, air will not be sucked in properly, and the cooling effect will deteriorate. Failure to clean the air filter may result in equipment breakdown or malfunctions.

3.2 Cleaning panels

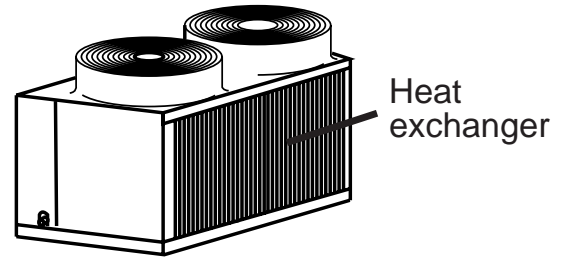
Clean dirt off front panel as follows.
 Use a household neutral cleanser such as for dishes or vegetables. Moisten a soft cloth with the cleanser, then wipe lightly. Next, wipe three or four times with another soft cloth moisten with water. Finally, wipe off all the remaining cleanser with a soft cloth.
 Moisten a soft cloth with the alcohol, then wipe off lightly. Isopropyl alcohol is sold at stores as reagents in small quantities.

Note:
 Alcohol is highly combustible. Take extreme care when handling. Also, do not use paint or adhesive thinner.



3.3 Cleaning the Outdoor Unit Heat Exchanger

If you use your air conditioner for prolonged periods, the outdoor heat exchanger will become dirty, impairing its function and reducing air conditioners performance. Consult your equipment supplier or air conditioning contractor on how to clean the heat exchanger.



4. When beginning to use air conditioner again.

Please turn on the power supply after confirming an following check is done and abnormality is not found.

- (1) It is confirmed that air inlet and outlet are not blocked.
- (2) It is confirmed that the earth connection line does not come off.
The earth connection line is occasionally installed in the outdoor unit.
- (3) It is confirmed that there are neither lifting , blocking , nor bending about the drain-hose.

Keep the power switch ON for more than 6hours before starting operation, to operate the crankcase heater to drive refrigerant out of oil.
Do not turn the power supply OFF during seasons of heavy use.
Doing so can result in failure .

5. When the air conditioner is not to be used for a long time.

- (1) If the air conditioner is not to be used for a long time due to a seasonal change etc., run it for 4-5hours with the air blowing until the inside is completely dry.
Failing to do so can result the growth of unhygienic, unhealthy mold in scattered areas throughout the room.
- (2) When it is not to be used for an extended time, keep the < power supply > turned OFF.
If the power supply is kept on, several watts or several tens of watts will be wasted.
Also, the accumulation of dust, etc., can result in fire.

5-1 In case of failure.

- (1) Never remodel the air conditioner.
Consult your dealer for any repair service.
Improper repair work can result in water leakage, electric shock, fire, etc.
- (2) If the poser breaker is frequently activated, get in touch with your dealer.
Leaving the unit as it is under such conditions can result in fire or failure.
- (3) If the refrigeration gas blows out or leaks, stop the operation of the air conditioner.
- (4) Thoroughly ventilate the room, and contact your dealer.
Leaving the unit as it is can result in accidents due to oxygen deficiency.

6. Transferring work, and construction

6-1 Transfer of installation.

- (1) When removing and reinstalling the air conditioner when you enlarge your home, remodel, or move, consult with your dealer in advance to ascertain the cost of the professional engineering work required for transferring the installation.
- (2) Please do not mix the one other than a specified refrigerant when you add the refrigerant (R-22) at the installation and the transferring.
- (3) When moving or reinstalling the air conditioner, consult with your dealer.
Defective installation can result in electric shock, fire, etc.

6-2 Place for installation.

Please do not use the unit in the following places.

- (1) Place where a lot of oil (The machine oil is contained), moistures, and dust exist.
- (2) Place where a lot of salinities such as beach districts exists.
- (3) Place where sulfur gas, volatile gas, and corroded gas are filled.
- (4) Place where acid solution is frequently used.
- (5) Place where special spray is frequently used.
- (6) Hot spring zone.
- (7) Never machine (high cycle welding machine etc.) generating highcycle.
- (8) Place where ventilation entrance of outdoor units is closed by snowfall.
- (9) The unit must be installed on stable, level surface.

The main body might corrode when the unit is used in such a place, the refrigerant leak, the performance of the unit decrease remarkably, and it cause the damage of parts of the unit.

6-3 Regarding electric work.

- (1) The electrical work must be undertaken by a person who is qualified as an electric engineer according to the (technical standard respecting electrical installation), (internal wiring rules), and the installation instruction manual with the absolute use of exclusive circuits.
- (2) Please install a special power supply in the power supply.
- (3) Please install the earth connection for the electric shock prevention.
- (4) Never connect the grounding wire to a gas pipe, water pipe, arrester, or telephone grounding wires.
For details, consult with your dealer.
- (5) In some types of installation sites, the installation of an earth leakage breaker is mandatory. For details, consult with your dealer.
- (6) The breaker and the fuse must use the one of correct capacity.

6-4 Conseration of the noise.

- (1) Take sufficient measures against noise when installing the air conditioners at hospitals or communication-related businesses.
- (2) If the air conditioner is used in any of the above-mentioned environments, frequent operational failure can be excepted.
It is advisable to avoid these type of installation sites.
For further details, consult with your dealer.
- (3) Choose a place where cool or warm air and noise from the outdoor air outlet of the air conditioner do not inconvenience the neighbours.
- (4) If any alien object is placed near the air outlet of the unit, decreased performance and increased noise can result.
Avoid placing any obstacles adjacent to the air outlet.
- (5) If the air conditioner produces any abnormal sound, consult with your dealer.

6-5 Disposing of the unit.

When you need to dispose of the unit, consult your dealer.

If pipes are removed incorrectly, refrigerant (fluorocarbon gas) may blow out and come into contact with your skin, causing injury.

Releasing refrigerant into the atmosphere also damages the environments.

6-6 Maintenance and inspection.

- (1) If the air conditioner is used throughout several seasons, the insides can get dirty, reducing the performance.
- (2) Depending upon the conditions of usage, foul odours can be generated and drainage can deteriorate due to dust and dirt, etc.

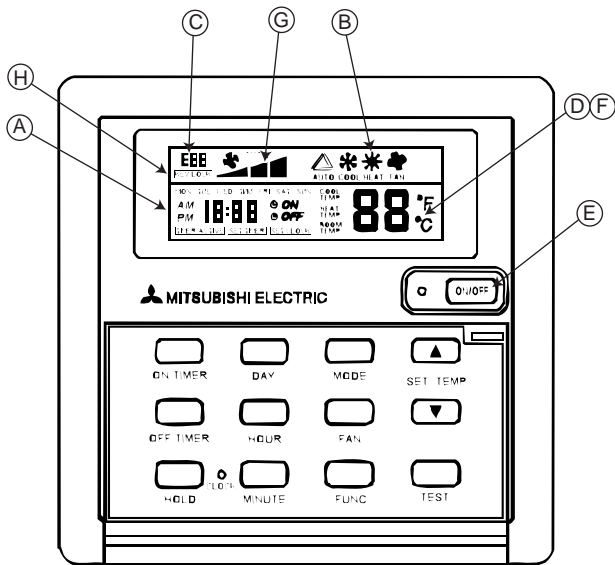
7. Trouble shooting

Before you ask for repair service, check the following points:

State of Machine	Cause	Troubleshooting
It does not run.	Power failure.	Press the [ON/OFF] button after power restoration.
	The power supply is turned OFF.	Turn the power supply ON.
	The fuse in the power supply is gone.	Replace fuse.
	The earth leakage breaker is gone.	Put in the earth leakage breaker.
Air flows out but it does not cool or heat enough.	Improper temperature adjustment.	After checking the set temperature.
	The filter is filled with dust and dirt.	Clean up the filter.
	There are some obstacles at the air inlet and outlet of the units.	Remove.
	Windows and doors are open.	Close.
	Insufficient refrigerant charge.	Contact with your installing contractor.
Cool or warm air does not come out.	The restart-preventing circuit is in operation for 3 minutes.	Wait for a while. (To protect the compressor, a 3-minute restart-preventing circuit is built into the unit. Therefore, there are occasions sometimes when the compressor does not start running immediately. There are cases when it does not run for as long as 3 minutes.)
	Indoor unit operation was started anew during the heating and defrosting operation. (5 ~10 HP only)	Wait for a while. (Heating operation starts after ending defrosting operation.)
Fan runs but compressor do not run.	The set temperature of thermostat is excessively high for cooling. excessively low for heating. (PEH only)	For temperature control, decrease the set temperature at cooling. increase the set temperature at heating. (PEH only)
	The room temperature is excessively low for cooling. excessively high for heating. (PEH only)	Can not be operated as it is out of temperature control range.
Fan runs but stops immediately.	Air outlet and inlet are blocked.	Remove blocking matter.
Fogged white steam is discharged from the indoor unit.	When the indoor temperature and humidity are high, such a phenomenon is occasionally had at the beginning of system operation.	It is not a breakdown. Please use as it is.
Water or steam is discharged from the outdoor unit.	At cooling, water which places to cooling piping and piping connection part drops. When heating, water which places to the heat exchanger drops. (PEH only)	It is not a breakdown. Please use as it is.
On heating, the air flow stops although a set temperature is not reached. (PEH only)	Frost adheres to the outdoor coil when the temperature on the outside is low and humidity is high. This frost is melted.	It is not a breakdown. Please use as it is.

HOW TO OPERATE (OPTION PAC-204RC)

Display section



- Ⓐ [Current/start/ending time] Display
- Ⓑ Operation mode
Displays the status of operation.
- Ⓒ [Checking] Display
This displays indication when some abnormality occurs in the unit.
- Ⓓ [Set temperature] Display
Displays the set temperature.
- Ⓔ [Operation] Lamp
Lights up during operation, goes off during stop.
- Ⓕ [Room temperature] Display
Displays the temperature of the air sucked in during operation.
- Ⓖ [Fan speed] Display
This displays indication High-speed or Low-speed.
- Ⓗ [Key lock] Display
This display indication during key lock function active.

For purposes of explanation, all the displays on this page are shown in their lit condition. This configuration does not occur in the actual unit.

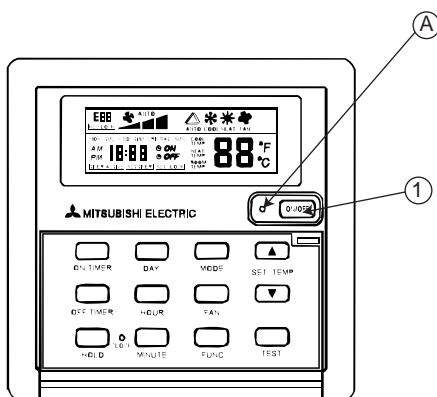
Before starting operation

* Make sure that the power supply is turned ON before use. (Keep the power supply turned ON at all times when the air conditioner is in use. Use of the unit without power can result in compressor failure.)

Warning:

Check and confirm the power circuit before use. For the contents, refer to the previously described chapter [Crucial points to be observed for safety].

1-1 ON / OFF



Ⓐ Operation lamp

Start an operation

- ① Press the [ON/OFF] button
Operation lamp lights up and operation starts.

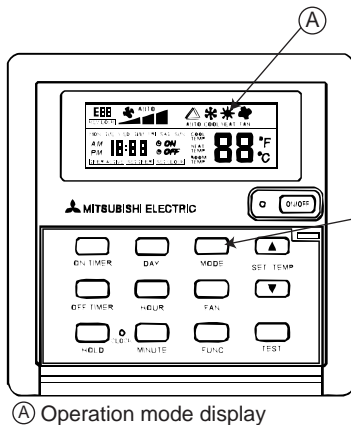
Stop an operation

- ① Press the [ON/OFF] button again
Operation lamp goes off and operation stops.
- * Once the buttons have been set, pressing of the [ON/OFF] button only can repeat the same operation thereafter.
- * During operation, the operation lamp above the [ON/OFF] button lights up.

Caution:

Even if the operation button is pressed immediately after the operation is once stopped, operation is not restarted for about 3 minutes. This function protects the machine. It automatically starts operation after the lapse of approximately 3 minutes.

1-2 Selecting operation



Ⓐ Operation mode display

When selecting operation

- ① Press the [MODE] button
Consecutive press of the [MODE] button switches the operation over to "FAN", "COOL", "HEAT" and ※ "AUTO". For the contents of operation, check the display.

For fan

- ① Press the [MODE] button and bring up the "FAN" display.

- * The fan operation functions to circulate the air in the room.
- * The temperature of the room cannot be set by fan operation.

Caution:

Never expose your body directly to cool air for a long time. Excessive exposure to cool air is bad for your health, and should therefore be avoided.

For cooling

Press the [MODE] button and bring up the "COOL" display.

For heating

Press the [MODE] button and bring up the "HEAT" display.

Caution:

- * When the air conditioner is used together with burners, thoroughly ventilate the area. Insufficient ventilation can result in accidents due to oxygen deficiency.
- * Never place a burner at a place where it is exposed to the airflow from the air conditioner. Doing so can result in imperfect combustion of the burner.

For Auto change over ※

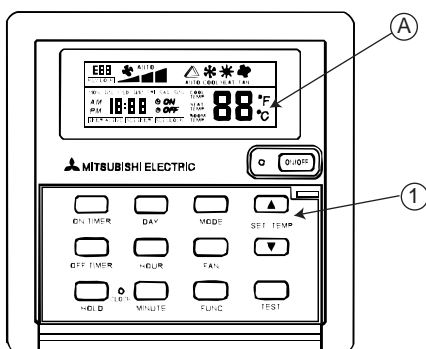
Press the [MODE] button and bring up the "AUTO" display

- ※ This function is special order. Please consult your local Mitsubishi Electric Sales office for application advice on this function.

Because this function need low ambient cooling parts as option.
Indoor temperature can be set within the following range.

Indoor temperature setting range: 17~30°C

1-3 Room temperature adjustment



Ⓐ Set temperature display and room temperature display

To change room temperature

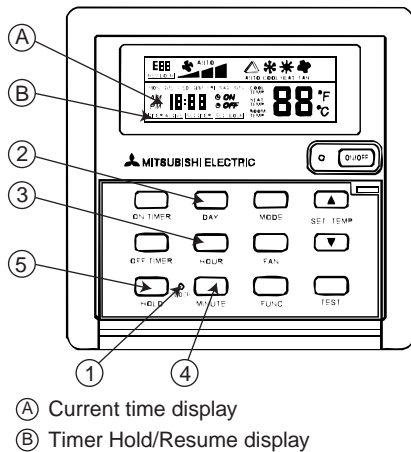
- ① Press the room temperature button and set the room temperature of your choice.
Press \triangle or ∇ once changes the setting by 1°C.
If the pressing is continued, the setting continues to change by 1°C.

- * Indoor temperature can be set within the following range.
Cooling 19 ~ 30°C
Heating 17 ~ 28°C

- * It is impossible to set the room temperature by the air-blow operation

- ① Press \triangle and ∇ together, the unit of temperature change "°C" (degree-centigrade) and "°F" (degree-Fahrenheit)

1-4 Time setting



Clock key

- ① Press the key one time will activate set clock mode.
Press the key again will disable set clock mode.
- ②~④ Under set clock mode, the real time clock and present day setting can be changed by pressing Day key, Hour key or Minute key.

7-Days timer key

- ① There are two keys for timer. One is ON Timer, another is Off Timer.
Press the key one time will activate set timer mode.
Press the key again will disable set timer mode.
- ②~④ Under set timer mode, the 7-days timer setting can be changed by pressing Day key, Hour key or Minute key.

Day key

- ② During set clock mode or set timer mode, press the key will change the day setting.

Hour key

- ③ During set clock mode or set timer mode, press the key will change the hour setting.

Minute key

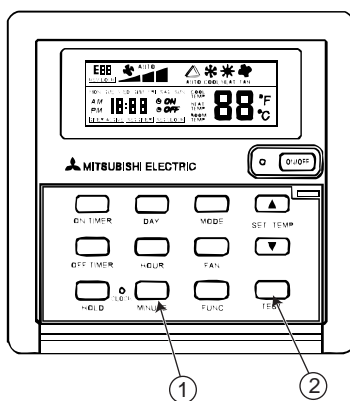
- ④ During set clock mode or set timer mode, press the key will change the minute setting.

Timer Hold/Resume key

If 7-days timer is set, then the word "Timer Active" is displayed.

- ⑤ To clear all the timers setting, Press and hold the hold key until the word "Timer Active" is not displayed.
To resume the timer setting after timers have been held, press and hold the key until the word "Timer Active" is displayed.

1-5 Other function



Key lock

- ① Press the "MINUTE" key three times consecutively, "KEY LOCK" symbol will appear on LCD screen.
At this time, only "ON-OFF" key is valid.
This function purpose is protect from mischief of child etc.

To cancel the key lock function, Please press "MINUTE" key three times consecutively again.

Test run

- ② Press the "TEST" key two times consecutively.
The unit will run and finished automatically after two hours.

1-6.Trouble shooting

Before you ask for repair service, check the following points:

State of Machine	Remote Controller	Cause	Troubleshooting
It does not run	"ON-OFF "display is not lit up No display appears even when the [ON/OFF] button is pressed.	Power failure	Press the [ON/OFF] button after power restoration.
		The power supply is turned OFF.	Turn the power supply ON.
		The fuse in the power supply is gone.	Replace fuse.
		The earth leakage breaker is gone.	Put in the earth leakage breaker.
Air flows out but it does not cool enough or heat enough.	The liquid crystal display shows that it is in the state of operation.	Improper temperature adjustment.	After checking the set temperature and inlet temperature on the liquid crystal display, refer to [To change room temperature] on page 107, and operate the adjustment button.
		The filter is filled with dust and dirt.	Clean up the filter.
		There are some obstacles at the air inlet and outlet of the indoor and outdoor units.	Remove.
		Windows and doors are open.	Close.
Cool air or warm air does not come out.	The liquid crystal display shows that it is in operation.	The restart-preventing circuit is in operation for 3 minutes.	Wait for a while. (To protect the compressor, a 3-minute restart-preventing circuit is built into the indoor unit. Therefore, there are occasions sometimes when the compressor does not start running immediately. There are cases when it does not run for as long as 3 minutes.)
		Indoor unit operation was started anew during the heating and defrosting operation. (5 ~ 10 HP only)	Wait for a while. (Heating operation starts after ending defrosting operation.)
Can not change to Heat mode	Can not change to Heat mode when press the "MODE" key.	DIP switch1 is not correct	Change the DIP switch off to on. (Refer to Instruction manual for Installation.)

Error Display

Indicate	Cause	Troubleshooting
E01	Room temperature sensor open.	Automatically reset to restoration error.
E02	Room temperature sensor short.	Automatically reset to restoration error.
E03	Error input from Indoor unit or Outdoor unit.	Push the On-Off switch.(OFF to ON)

SPECIFICATION GUIDELINES

Air to air reverse cycle split air conditioning system.

The systems shall operate at out door ambient temperatures as high as __°C.

The system shall have a total cooling capacity of __kW or greater with an indoor air quantity of __L/s at __°C DB and __°C WB entering indoor coil temperature with a __°C temperature entering the outdoor coil.

The system shall have a sensible heat capacity of __kW or greater with a room DB temperature of __°C .

The total heating capacity (without electric element heaters) shall be __ kW or greater at __°CDB, __°CWB outdoor air conditions, with __°C of indoor air entering indoor coil at __°CDB.

The compressors shall be a welded high efficiency hermetic type with internal vibration isolation and be equipped with a crankcase heater.

Coils shall be of non-ferrous construction with mechanically bonded aluminum plate fins Outdoor coils shall be made, of 9.52mm OD, 0.35mm thick formless copper tubes mechanically bonded to 0.12mm thick aluminum plate fins.

Face area of the coil shall not be less than __m² The coil shall be factory pressure and leak tested at 3.3 MPa pressure. The indoor coil face area shall be not less than __ m².

Multi-wing propeller type fans shall be fitted at the condenser and shall be dynamically balanced, to ensure smooth airflow and shall discharge vertically and be direct driven by a weatherproof three phase squirrel cage __ kW induction motor.

The system shall be factory wired and all electrical wiring must comply with the Local wiring code (Controls and control wiring shall be supplied by the contractor). Compressors and fan motors shall have both internal and current sensitive overload devices.

An automatic defrost control shall be included to accomplish defrosting (only if required) every __ minutes for a period of __ minutes.

High pressure switch (pre-set) shall be factory installed.

The enclosure is weatherproof casing constructed of phosphatized, zinc coated steel with powder coating.
(OUTDOOR UNIT)

The unit shall be provided with hoisting plates for rigging and hoisting the unit. The hoisting plates shall be located in the pillars. (OUTDOOR UNIT)

The unit shall have a drain connection provided (25mm BSP: male thread).

The enclosure shall have openings provided for power connections.

Access for both service and installation shall be provided to compressors, control wiring, and fans.

Side panels and top panels shall be removable for easy service access.

The unit maximum dimensions shall be : height: __mm, width: __mm and depth: __mm (INDOOR UNIT)
: height: __mm, width: __mm and depth: __mm (OUTDOOR UNIT)

Due to continuous product development, these guidelines are subject to change.

MEMO

DATA BOOK PE,PEH

