

Easy BlueTooth™

Manual

All Mikroelektronika's development systems feature a large number of peripheral modules expanding microcontroller's range of application and making the process of program testing easier. In addition to these modules, it is also possible to use numerous additional modules linked to the development system through the I/O port connectors. Some of these additional modules can operate as stand-alone devices without being connected to the microcontroller.

Additional board

 **MikroElektronika**

SOFTWARE AND HARDWARE SOLUTIONS FOR EMBEDDED WORLD ...making it simple

Easy BlueTooth

The Easy BlueTooth additional board is used to connect a development system or a device with bluetooth devices.

Key features:

- Serial UART communication;
- Pull-up resistors;
- 3.3V or 5V power supply voltage.

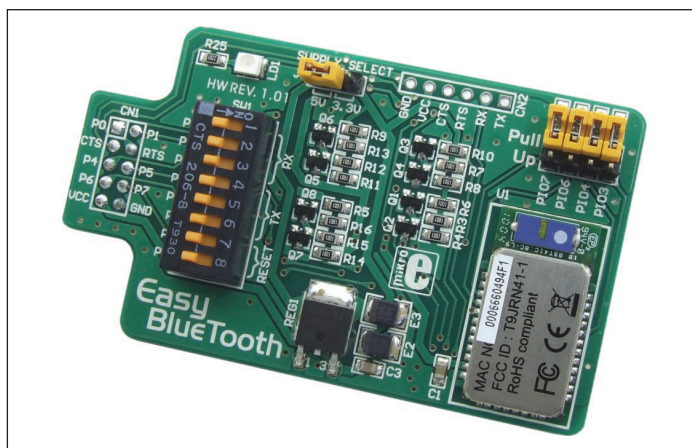


Figure 1: Easy BlueTooth additional board

How to connect the board?

The Easy BlueTooth additional board can be easily connected to a development system via a 2x5 connector CN1. The board is connected to a development system port that is connected to the UART module built into the microcontroller. Depending on the development system in use, it is necessary to set the appropriate switches on the DIP switch SW1 to the ON position, table 1. Jumper J1 is used to select the power supply voltage of the additional board. If the additional board is connected to a 5V development system, jumper J1 should be placed in the 5V position. If the board is connected to a 3V development system, jumper J1 should be placed in the 3.3V position. Jumpers J2-J5 (Pull-up) are used to establish connection between pull-up resistors and a bluetooth module U1. Pads CN2 enable some control device to access RX, TX, RTS and CTS pins.

Here you can find examples for the Easy BlueTooth additional board:
<http://www.mikroe.com/eng/products/view/621/easybluetooth-board/>

	RX	TX
PIC/PIC18FJ	1 (P7)	4 (P6)
dsPIC30/33/PIC24	2 (P4)	5 (P5)
AVR/8051	3 (P0)	6 (P1)
	Position of switches on the DIP switch SW1 for appropriate dev.system	

Table 1

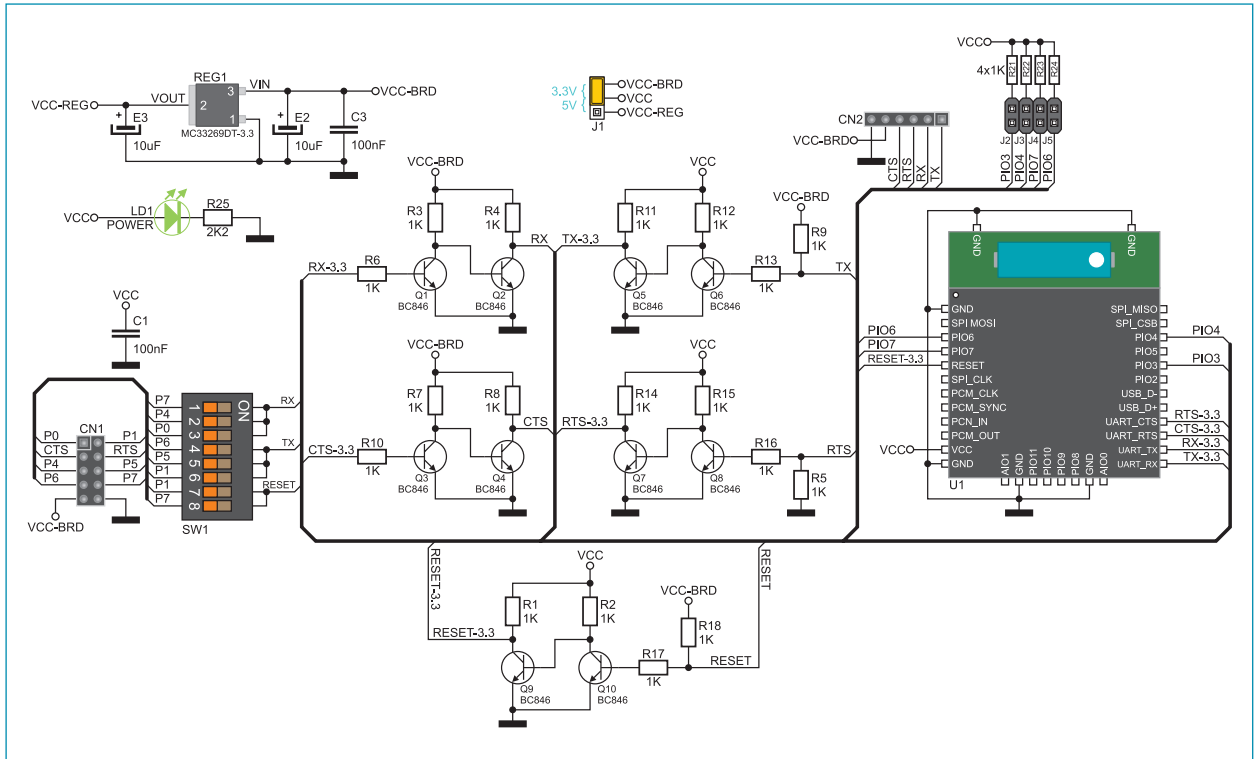


Figure 2: Easy BlueTooth additional board connection schematic

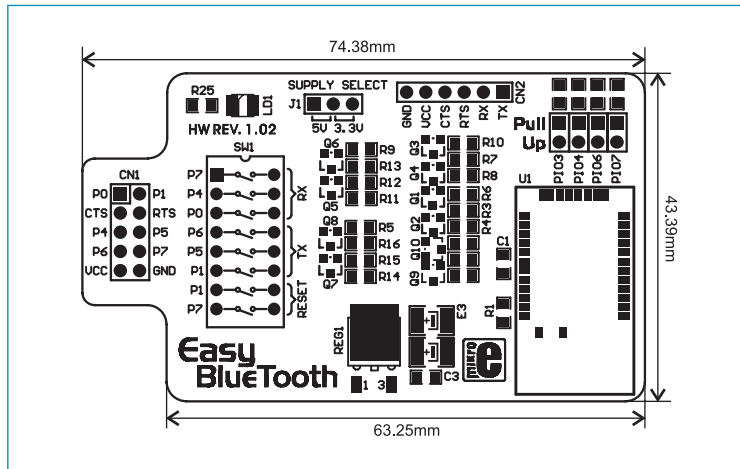


Figure 3: Dimensions of the Easy BlueTooth board



MikroElektronika
SOFTWARE AND HARDWARE SOLUTIONS FOR EMBEDDED WORLD ...making it simple

If you want to learn more about our products, please visit our website at www.mikroe.com

If you are experiencing some problems with any of our products or just need additional information, please place your ticket at www.mikroe.com/en/support

If you have any questions, comments or business proposals, do not hesitate to contact us at office@mikroe.com

Mouser Electronics

Authorized Distributor

Click to View Pricing, Inventory, Delivery & Lifecycle Information:

[mikroElektronika:](#)

[MIKROE-641](#)