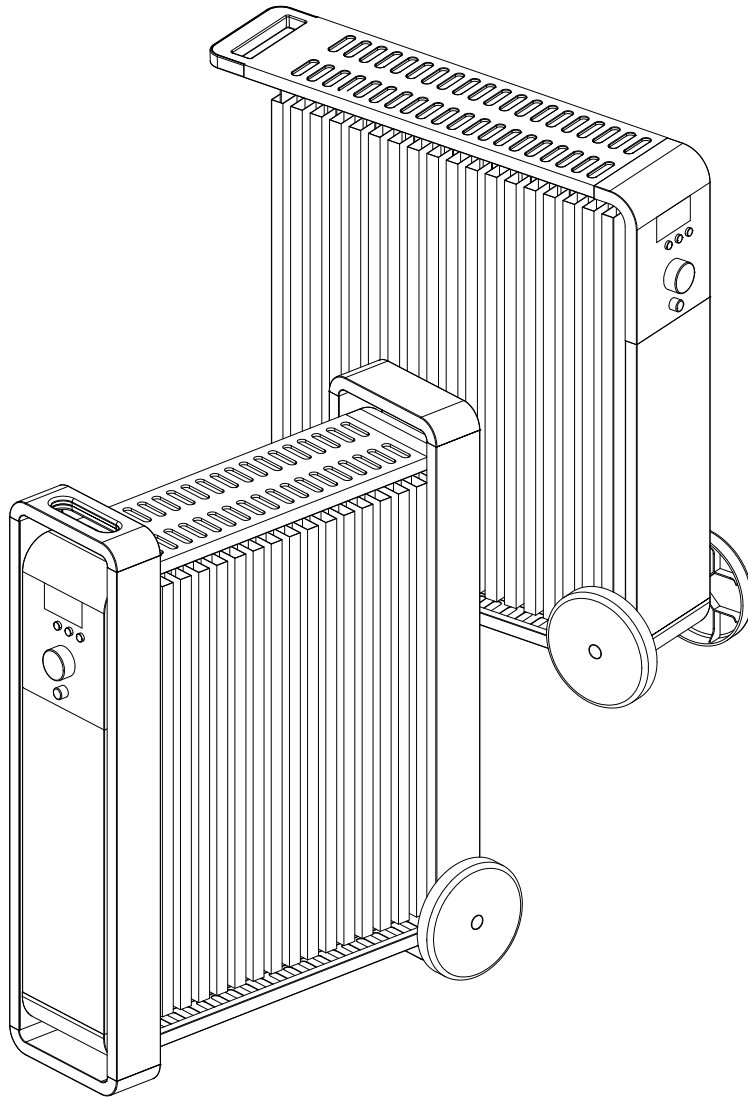


# OPERATION, MAINTENANCE AND SAFETY INSTRUCTIONS

FOR EVERDURE E-VO HSE151W, HSE201W, HSE152W & HSE202W HEATERS



 everdure  
HEAT LIVE RELAX

## INTRODUCTION

Congratulations on purchasing your new E-VO Thermo-conducting electric heater from Everdure. A revolutionary new design, this heater uses up to 90% less oil than a standard oil column heater with a unique formula that allows the liquids to convert to a vapour, increasing the amount of heat generated by convection. This, coupled with the patented French design, makes it a suitable appliance for any modern home. Add on the fast heat-up time (under 2 minutes) and an economy function to help keep the family budget intact, makes it a must for anyone looking for a safe heater that can be used almost anywhere within the home. We hope you will enjoy this appliance for years to come.

## OTHER PRODUCTS AVAILABLE FROM EVERDURE

Now you know who we are, why not look at some of the other products we have to offer?



Barbecues



Cooking Products

Gas Heaters




## IMPORTANT SAFETY INSTRUCTIONS

**IMPORTANT:** Read the safety precautions of this booklet carefully before attempting to assemble, install, operate or maintain the product described. Protect yourself and others by observing all safety information. Failure to comply with instructions could result in personal injury and/or property damage. If you are unsure about anything regarding your heater or these instructions, please contact Everdure on 1300 766 066 in Australia or (09) 415 6000 in New Zealand before operating your appliance.

1. Read all instructions carefully before using the heater.
2. Use this heater only as described in this manual. Any other use not recommended by the manufacturer may cause fire, electrical shock, or injury to persons. Do not modify this appliance.
3. Remove the package and ensure that the appliance is undamaged (keep packing box for later storage). In case of doubt do not use the appliance and contact Everdure Service. Do not let children play with any parts of the packaging.
4. This appliance is not intended for use by persons (including children) with reduced physical, sensory or mental capabilities, or lack of experience or knowledge, unless they have been given supervision or instruction concerning the use of the appliance by a person responsible for their safety. Children should be supervised to ensure that they do not play with the appliance. Extreme caution is necessary when the heater is used by or near children or individuals with decreased mental and physical capacity and whenever the heater is left operating unattended.
5. Before you use the appliance, check if the voltage marked on the rating label corresponds to the mains in your home. The appliance must be connected to a grounded power supply.
6. This heater is filled with a precise quantity of oil. Do not try to refill or adjust the level of oil. Repairs requiring opening the oil container can only be made by Everdure Service who should be contacted if a leak is found.
7. Avoid using extension cords as the extension cord may overheat and cause a risk of fire. If the use of an extension cord cannot be avoided, always use one with a minimum rating of 13Amps. Do not use this appliance with a programmer, timer or any other device that switches the appliance on automatically, since a fire risk exists if the appliance is covered or positioned incorrectly.
8. Do not pull the power cord to disconnect with the power source. Always grasp the plug to pull it out.
9. Do not run power cords under rugs or other combustible materials. Do not place power cords in areas where they can be a tripping hazard.
10. Do not insert any objects into the heater as it may cause an electric shock or fire or damage to the heater. Do not block or tamper with the heater in any manner while it is in operation. **WARNING:** To prevent a possible fire, do not cover the appliance in any manner.
11. Do not leave the heater unattended. Always unplug the heater when not in use.

**WARNING:**  The Main Power Switch should not be used as the sole means of disconnecting power. Always unplug the power cord before servicing or moving the unit.

12. This heater is hot when in use. To avoid burns, do not let bare skin touch hot surfaces. Always use the handle when moving the heater (where available) or hold on the sides if not available (make sure the unit is turned off). Keep combustible materials such as furniture, pillows, bedding, papers, clothes and curtains at least 1m from the heater to the sides, front, rear & top.
13. The heater has hot and arcing or sparking parts inside. It must NOT be used in potentially dangerous locations such as flammable, explosive, chemical-laden or wet atmospheres. This heater is intended for general indoor domestic use ONLY.
14. This heater is not intended for use in wet or damp locations. Never locate a heater where it may fall into a bathtub or other water container.
15. Do not use the heater outdoors.

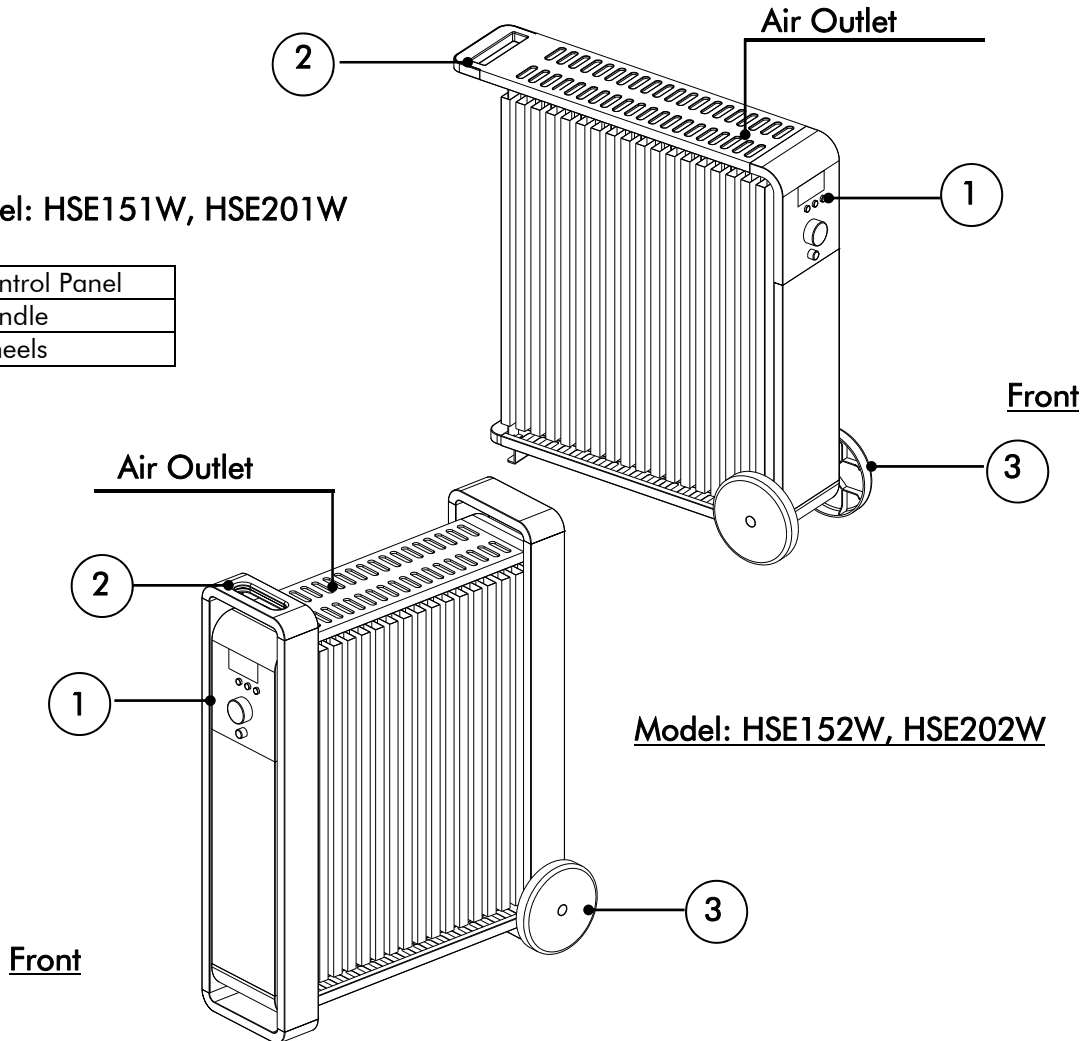
**WARNING:**  To avoid danger of electric shock, unplug from outlet when not in use and before cleaning. If the supply cord is damaged, it must be replaced by a special cord or assembly available from an authorised person. In order to avoid overheating, do not cover the heater. The heater must NOT be located immediately below a socket outlet. Do not use the heater in the immediate surroundings of a bath, shower or swimming pool.

## GENERAL SPECIFICATIONS

MODEL	HSE151W	HSE201W	HSE152W	HSE202W
VOLTAGE RATING	220-240V, 50Hz	220-240V, 50Hz	220-240V, 50Hz	220-240V, 50Hz
POWER CONSUMPTION	1350-1500W	2000W	1350-1500W	2000W
HEATER SIZE (cm) HxWxL	59x19x60	59x19x74	64x23.5x56.5	64x23.5x71
WEIGHT (kg)	12.5	16.5	15.5	19.5

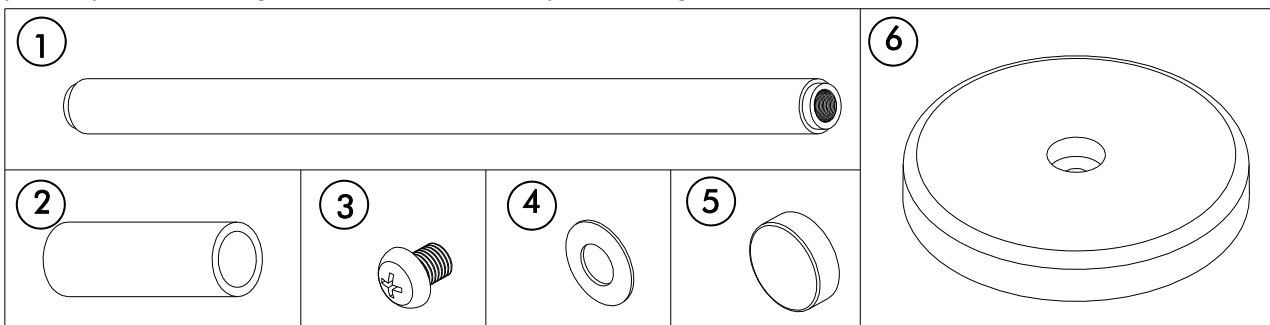
Model: HSE151W, HSE201W

1.	Control Panel
2.	Handle
3.	Wheels



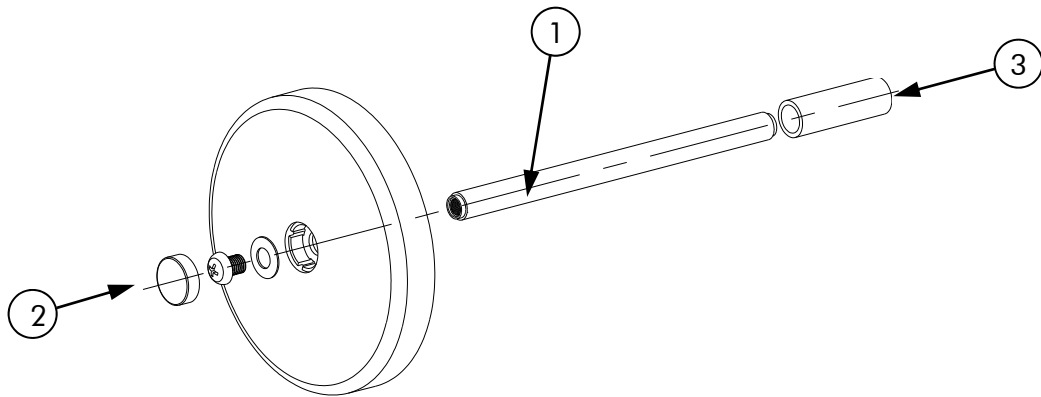
## INSTALLATION

This appliance comes with a number of parts which must be assembled to the main body before use. Check each part is present & in good condition before proceeding.

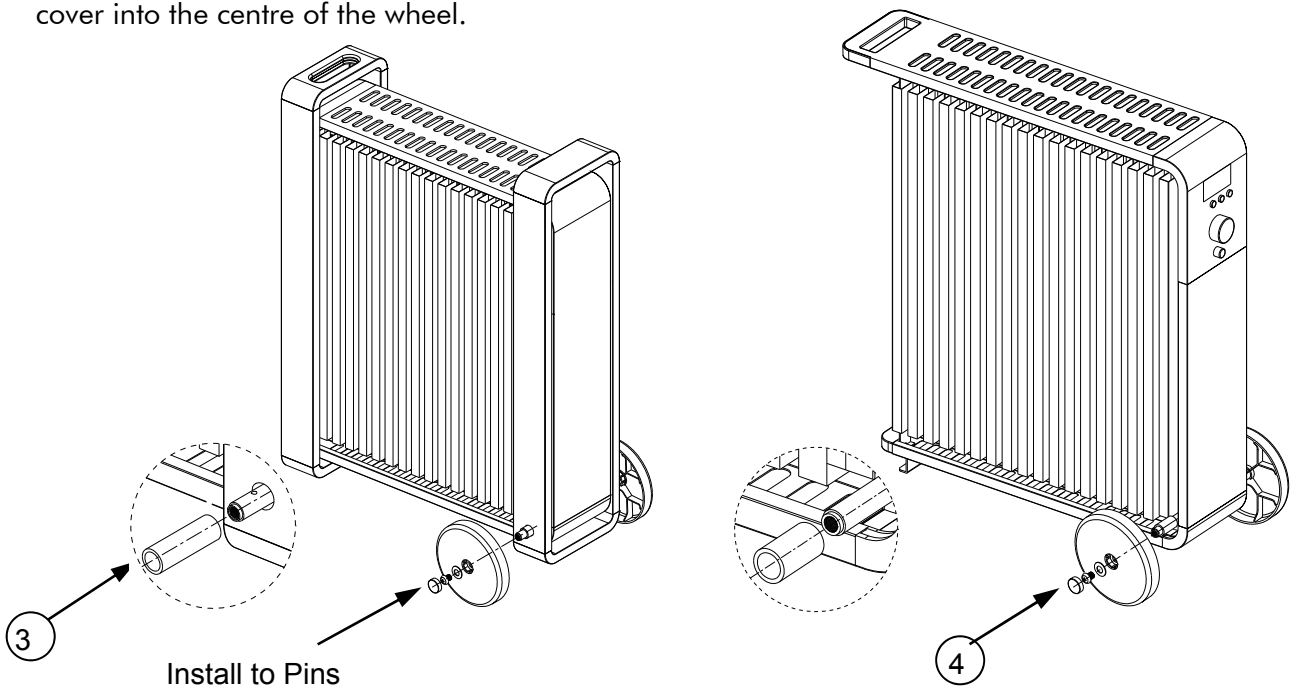


1.	Axle	1pc	2.	Spacer	2pcs	3.	Screw	2pcs
4.	Washer	2pcs	5.	Screw Cover	2pcs	6.	Wheel	2pcs

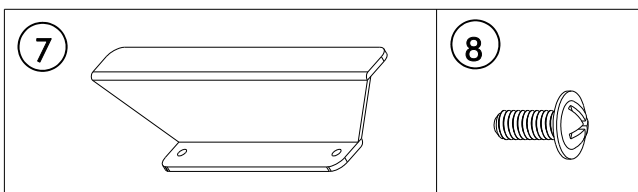
1. Place one wheel onto the axle. Fix wheel into place with one washer and one screw, & push the screw cover into the centre of the wheel. Push a spacer over the other end of the axle up to the wheel.



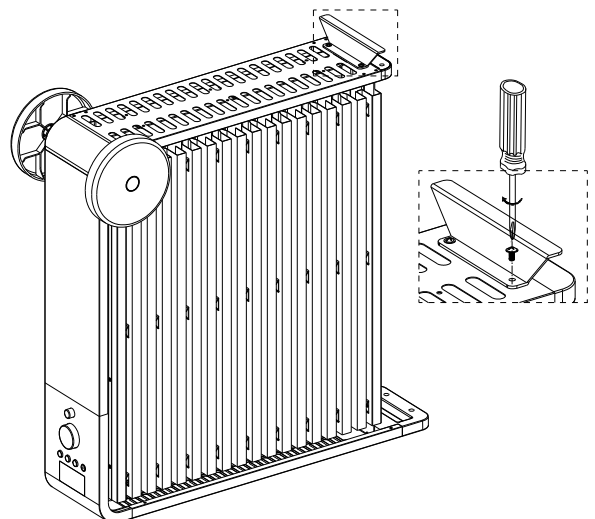
2. Push the axle assembly through the supplied hole in the appliance (at the front of the HSE151W & HSE201W as shown, or rear of the HSE152W & HSE202W). Push the second spacer over the axle. Place the second wheel onto the axle. Fix wheel into place with one washer and one screw, & push the screw cover into the centre of the wheel.



3. For HSE151W & HSE201W, a foot needs to be attached to the underside of the appliance (rear) with 2 screws.

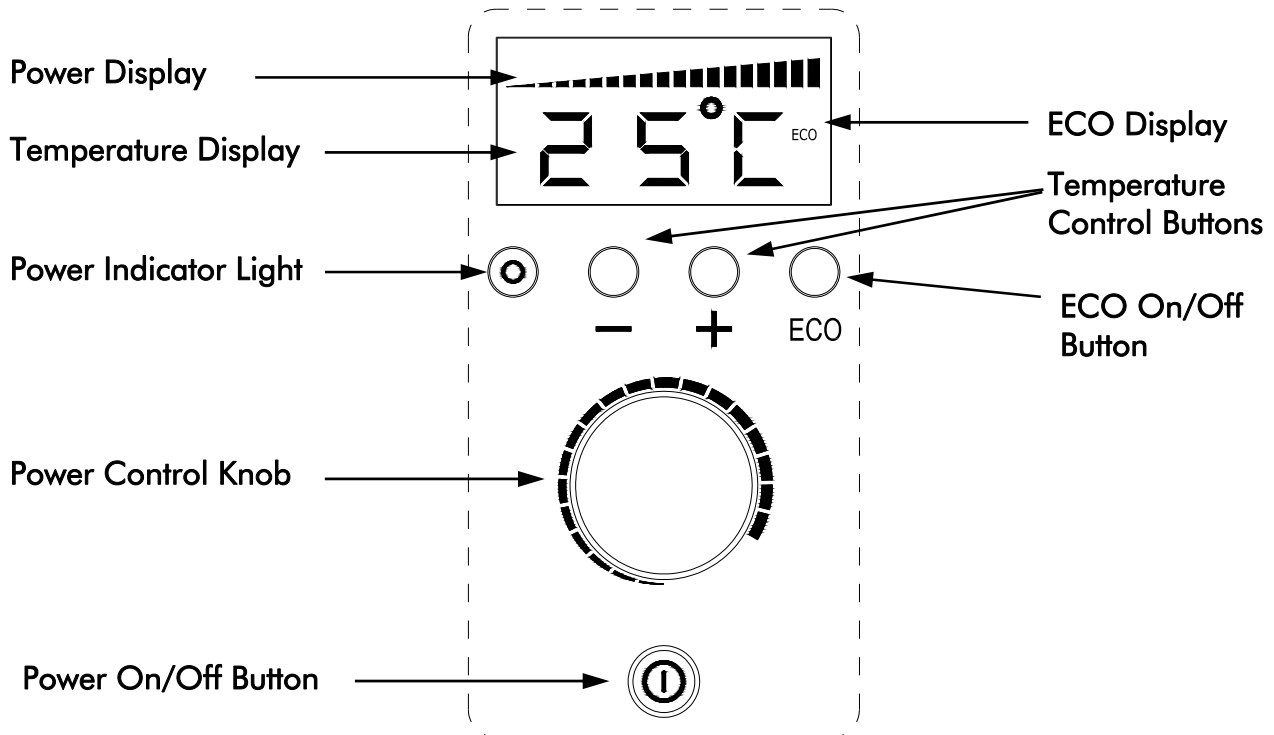


Turn the appliance upside down on a clean smooth surface and place the foot over the 2 screw holes. Attach the foot to the appliance with the 2 small screws provided. Put the appliance back to the upright position before connecting power.



## OPERATING INSTRUCTIONS

### CONTROL PANEL



### POWER ON/OFF BUTTON

Make sure the power supply and power switch are on. Press the Power On/Off Button once and the unit will now be active and the Power Indicator will light up. The display will start flashing the current thermostat temperature setting (default is 25°C) and then switch to the current ambient temperature. Press a second time and the appliance will revert back to the standby mode. Note: If the thermostat temperature is set to a level below the ambient temperature, the unit will not run. Once the ambient temperature falls below the set thermostat temperature, the unit will turn on and start to produce heat.

### TEMPERATURE CONTROL BUTTONS

The appliance starts with the thermostat temperature set to (25°C). Pressing the "+" or "-" will adjust the running temperature to between 16°C & 32°C. The new thermostat temperature will be displayed (flashing) for a few seconds after the operation is completed & then the display will revert to the ambient temperature.

### POWER CONTROL KNOB

The amount of power used by the heater can also be adjusted with the Power Control Knob. Increasing the power setting will allow the heater to heat up faster (but use more power), where decreasing the setting will allow the heater to reach its set temperature over a longer time. A higher setting is best for heating up a cold room fast, where a lower setting is better for keeping a warm room at the set temperature. The power setting is shown on the power display.

### ECO ON/OFF BUTTON

Pressing this button adjusts the thermostat temperature setting to 3°C below what is set (i.e. if the thermostat temperature has been left at the default 25°C, the heater will run to 22°C). The ECO display will light up to show it is operational. Turn this function off by pressing it a second time.

## CLEANING & MAINTENANCE

### WARNING:



**ALWAYS UNPLUG THE CORD BEFORE MOVING OR SERVICING, DO NOT IMMERSE HEATER IN WATER OR POUR WATER ON HEATER!**

**CAUTION:** Do not use gasoline, benzene, thinner, harsh cleaners, etc. as they will damage the heater. NEVER use ALCOHOL OR SOLVENTS. Do not use detergents, polish or other abrasive cleaning powders as they can damage the surface of the heater.

To clean, wipe with a dry cloth to remove dust and then a damp cloth to remove any stains.

Use a vacuum cleaner to remove dust & lint from within the outer metal grids of the appliance.

**STORAGE:** Store the heater with these instructions in the original packaging, in a cool, dry place.

### WEEE WARNING

This product should not be disposed of with household waste. Please recycle where facilities exist and check with your local authority for recycling advice. Always follow the regulations concerning the disposal of oil.



## HINTS & TIPS

Where possible your electric heater should be connected to a power outlet that uses a separate 10 amp power circuit. This will avoid overloading your household fuse.

In the event that your household fuse is overloaded and trips, please note this is normally caused by the use of excessive power outlets at the same time your heater is operating (for example, a steam iron, kettle, toaster etc.). Please ensure to check the use of the power circuit and adjust when heater is in use (i.e. turn off the heater when boiling a kettle).

Should you still experience difficulty contact Everdure Service for assistance.

This appliance contains a safety tip-over switch, which will turn the unit off if it falls onto its side. To restart, right the appliance to its correct position.

This appliance also contains a thermal cut-out and will automatically switch off if it overheats. If this happens, turn the appliance off & turn off the power at the wall switch, wait 15 minutes for the appliance to cool down and restart. If the source of the overheating can be found (covered with towels, too close to walls or seats etc.), the source should be removed, or the position of the appliance adjusted.

**It is important that you retain these instructions, proof of purchase as well as other important documents about this product for future reference.**

**Due to continual product development, Everdure reserves the right to alter specifications or appearances without notice.**

**Dispose of packaging responsibly – recycle where facilities are available.**

# HEAT LIVE RELAX

A division of Shiro Australia Pty Ltd  
104 Vanessa St Kingsgrove NSW 2208  
In Australia: 1300 766 066  
In New Zealand: (09) 415 6000  
[www.everdure.com](http://www.everdure.com)

IM Ref: EVO-HSEXXXW 12/2014/02



everdure

HEAT LIVE RELAX