

**COMMERCIAL**  
**MODELS: 399 THROUGH 899**

CATALOG NO. 9300.80  
Effective: 09-15-06  
Replaces: 12-31-05

# RAYPAK ILLUSTRATED PARTS LIST

**MODEL SIZES: 399 THROUGH 899**

**MODEL TYPE: H, W, WH, & P**

**DATES OF MANUFACTURE: 07-01-02 THROUGH CURRENT**

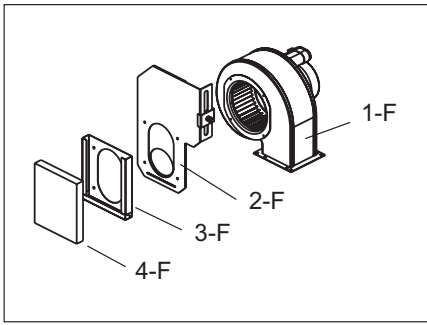
THE PARTS LISTED ARE FOR STANDARD EQUIPMENT FOR THIS MODEL TYPE. RAYPAK RESERVES THE RIGHT TO SUBSTITUTE, DELETE OR CHANGE ANY PART WITHOUT NOTIFICATION. THE ADDITION OF OPTIONS MAY ALSO CHANGE SOME OF THE PARTS. ORDER REPLACEMENT PARTS FROM ACTUAL HEATER COMPONENTS.



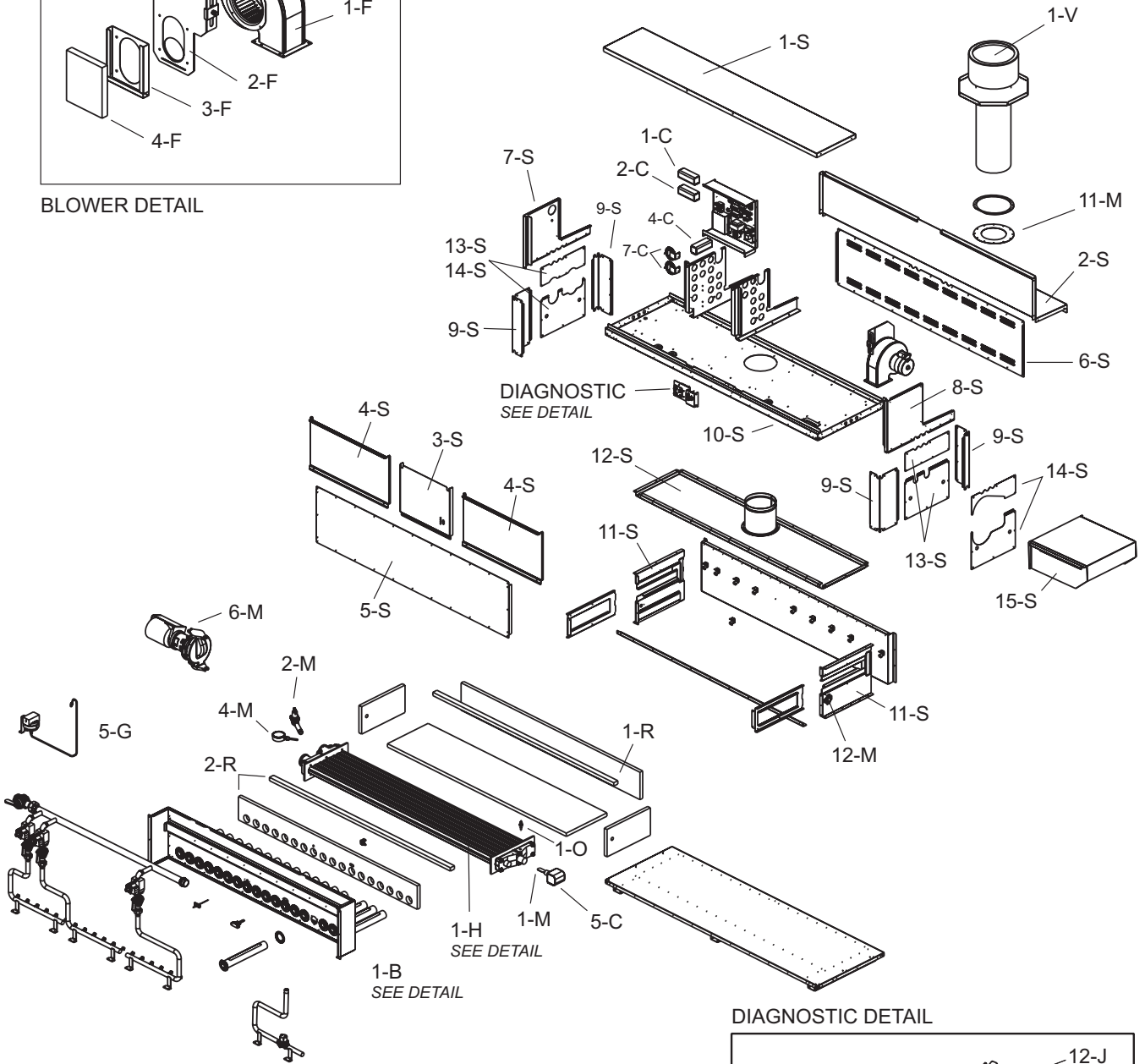
FOR DETAILED INSTRUCTIONS, SEE "HOW TO USE YOUR RAYPAK ILLUSTRATED PARTS LIST",  
CATALOG NO. 9001.10



Raypak, Inc., 2151 Eastman Avenue, Oxnard, CA 93030  
(805) 278-5300 Fax (800) 872-9725  
Litho In U.S.A.



BLOWER DETAIL



DIAGNOSTIC DETAIL

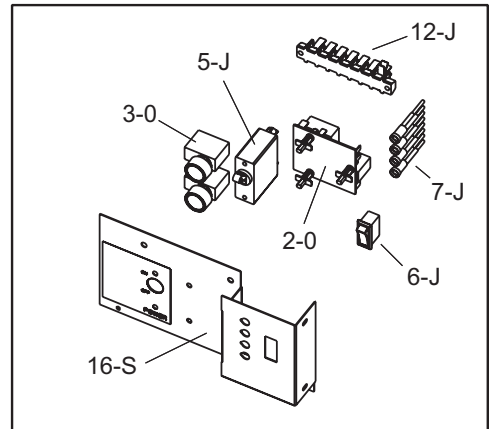
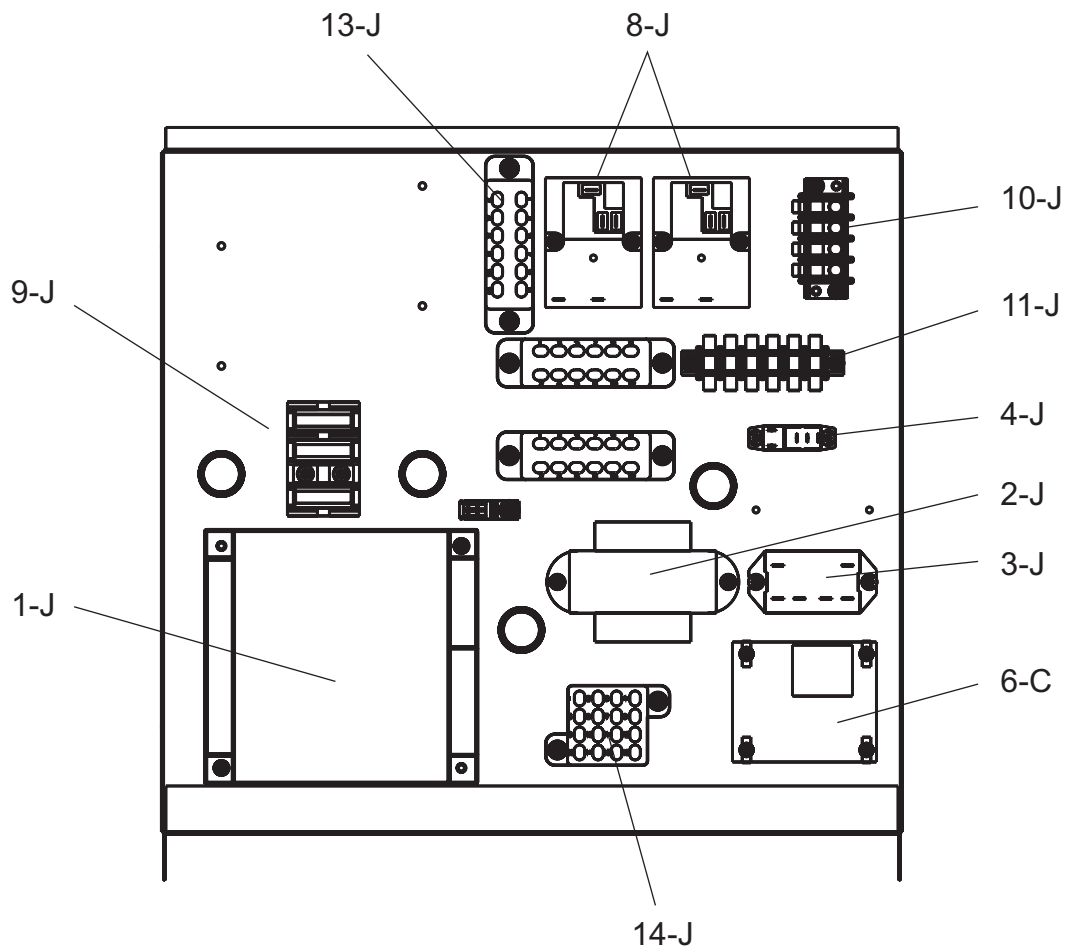


Fig # 241127





J-BOX DETAIL

CALL OUT	DESCRIPTION	399	499	649	749	899
<b>B</b>	<b>BURNER ASSEMBLY</b>					
1-B	Burner Assy w/Burners	007431F	007432F	007433F	007434F	007435F
2-B	Burner Mounting Assy	007437F	007438F	007439F	007440F	007441F
3-B	Burner	007442F	007442F	007442F	007442F	007442F
4-B	Seal Gasket	007443F	007443F	007443F	007443F	007443F
5-B	Manifold Upper	N/A	008915F	008915F	008915F	008916F
6-B	Manifold Lower	007447F	007448F	007449F	007450F	007451F
7-B	Manifold Lower Split	008917F	N/A	N/A	N/A	N/A
8-B	Burner Orifice Nat.#47	351414 / 8	351414 / 10	351414 / 13	351414 / 15	351414 / 18
	Burner Orifice Pro.#57	351442 / 8	351442 / 10	351442 / 13	351442 / 15	351442 / 18
<b>C</b>	<b>CONTROLS</b>					
1-C	Manual Hi Limit 240	007144F	007144F	007144F	007144F	007144F
	Manual Hi Limit 200 Degree Max WH	008081F	008081F	008081F	008081F	008081F
2-C	Adj. Auto Hi Limit 240	007141F	007141F	007141F	007141F	007141F
	Adj. Auto Hi Limit 200 Degree Max WH	006445F	006445F	006445F	006445F	006445F
3-C	Remote Aquastat (Tankstat) (B-2)	007148F	007148F	007148F	007148F	007148F
	Remote Aquastat (Tankstat) 2-Stage (B-3)	007392F	007392F	007392F	007392F	007392F
	Remote Aquastat (Tankstat) 2-Stage (B-9)	006760F	006760F	006760F	006760F	006760F
4-C	Controller 2-Stage (B-4)	007393F	007393F	007393F	007393F	007393F
	Controller 2-Stage (B-6)	007392F	007392F	007392F	007392F	007392F
	Controller 2-Stage (B-8)	007394F	007394F	007394F	007394F	007394F
	Controller on/off (B-20)	006445F	006445F	006445F	006445F	006445F
5-C	Flow Switch	007142F	007142F	007142F	007142F	007142F
6-C	Economaster II Control	004675F	004675F	004675F	004675F	004675F
7-C	Switch Air Pressure N.C.	007158F	007158F	007158F	007158F	007158F
	Switch Air Pressure N.O.	008171F	008171F	008171F	008171F	008171F
<b>F</b>	<b>Fan</b>					
1-F	Blower Combustion Air	007414F	007414F	007414F	007414F	007414F
2-F	Air Shutter Assembly	007416F	007416F	007416F	007416F	007416F
3-F	Filter Mounting Bracket	008922F	008922F	008922F	008922F	008922F
4-F	Fliter Media	008923F	008923F	008923F	008923F	008923F
<b>G</b>	<b>GAS VALVES</b>					
1-G	Main Valve Gas Manual A 3/4"	007421F	N/A	N/A	N/A	N/A
	Main Valve Gas Manual A 1-1/4"	N/A	007190F	007190F	007190F	007190F
2-G	Valve Gas Manual A 3/4"	007421F	007421F	007421F	007421F	007421F
3-G	Bleedle Valve 1/4" CMP	007422F	007422F	007422F	007422F	007422F
	Bleedle Valve 1/8" NPT	007423F	007423F	007423F	007423F	007423F
4-G	Combination Gas Valve On/Off Nat 3/4"	007424F	007424F	007424F	007424F	007424F
	Combination Gas Valve On/Off Pro 3/4"	007425F	007425F	007425F	007425F	007425F
5-G	Switch Low Gas Pressure (optional)	007187F	007187F	007187F	007187F	007187F
6-G	Switch High Gas Pressure (optional)	007188F	007188F	007188F	007188F	007188F
7-G	Solenoid Gas Valve	008407F	N/A	N/A	N/A	N/A
<b>H</b>	<b>HEAT EXCHANGER</b>					
1-H	Heat Exch Assy Cast Iron	007453F	007454F	007455F	007456F	007457F
	Heat Exch Assy Cast Iron w/Pump Hdr	008853F	007466F	007467F	007468F	007469F
	Heat Exch Assy Cast Iron Cupro Nickel	007477F	007478F	007479F	007480F	007481F
	Heat Exch Assy Cast Iron w/Pump Hdr Cupro Nickel	007489F	007490F	007491F	007492F	007493F
2-H	Inlet/Outlet Header Cast Iron	007500F	007500F	007500F	007500F	007500F
3-H	Return Header Cast Iron	007502F	007502F	007502F	007502F	007502F
4-H	Return Pump Header Cast Iron	007504F	007504F	007504F	007504F	007504F
5-H	Tube Bundle	007507F	007508F	007509F	007510F	007511F
	Tube Bundle Cupro Nickel	007513F	007514F	007515F	007516F	007517F
6-H	Heat Exchange Tube	007519F	007520F	007521F	007522F	007523F
	Heat Exchange Tube Cupro Nickel	007525F	007526F	007527F	007528F	007529F
7-H	Stud Bolt Kit	007536F	007536F	007536F	007536F	007536F
	Stud Bolt Kit w/Pump Header	007537F	007537F	007537F	007537F	007537F
8-H	Header Gasket	800001B	800001B	800001B	800001B	800001B
9-H	Sensor Well	007211F	007211F	007211F	007211F	007211F
10-H	Well Retaining Clip	300203	300203	300203	300203	300203
<b>J</b>	<b>CONTROL BOX</b>					
1-J	Ignition Control	007374F	007374F	007374F	007374F	007374F
	Ignition Control with Manual Reset	009057F	009057F	009057F	009057F	009057F
2-J	Transformer	007494F	007494F	007494F	007494F	007494F
3-J	Relay DPST 24V NO	007925F	007925F	007925F	007925F	007925F
4-J	Relay SPST 24V NO / NC	009039F	009039F	009039F	009039F	009039F
5-J	Automatic Shut Down Switch	007380F	007380F	007380F	007380F	007380F
6-J	On/Off Switch	006872F	006872F	006872F	006872F	006872F
7-J	Lamp 28V	007381F	007381F	007381F	007381F	007381F
8-J	Time Delay Contactor 5 Second	008921F	008921F	008921F	008921F	008921F
9-J	Terminal Block (3 Space)	007382F	007382F	007382F	007382F	007382F
10-J	Terminal Block (4 Space)	007383F	007383F	007383F	007383F	007383F
11-J	Terminal Block (6 Space)	007384F	007384F	007384F	007384F	007384F
12-J	Terminal Block (7 Space)	007385F	007385F	007385F	007385F	007385F
13-J	Terminal Block (12 Space)	007386F	007386F	007386F	007386F	007386F
14-J	Terminal Block (16 Space)	007387F	007387F	007387F	007387F	007387F

CALL OUT	DESCRIPTION	399	499	649	749	899
<b>M</b>	<b>MISCELLANEOUS</b>					
1-M	Flow Switch Paddle	004079F	004079F	004079F	004079F	004079F
2-M	PRV 30 PSI	007470F	007217F	007218F	007219F	007748F
	PRV 45 PSI	007220F	007346F	007346F	007221F	007221F
	PRV 60 PSI	007222F	007222F	007222F	007222F	007222F
	PRV 75 PSI	007223F	007223F	007223F	007223F	007223F
	PRV 125 PSI	011912F	011912F	007224F	007224F	007224F
	PRV 150 PSI	007225F	007225F	007225F	007225F	007225F
3-M	Delimiting Kit	052870F	052870F	052870F	052870F	052870F
4-M	T & P Gauge (H)	007205F	007205F	007205F	007205F	007205F
	T & P Gauge (WH)	007399F	007399F	007399F	007399F	007399F
5-M	Integral Pump 4-1/4 Impeller	004844F	004844F	004844F	004844F	004844F
	Integral Pump 4.0 Impeller	009296F	009296F	009296F	009296F	009296F
6-M	Pump Inline CIBF Taco 0012	007746	007746	007746	007746	N/A
	Pump Inline BR Taco 0012	007747	007747	007747	007747	N/A
7-M	Pump Cartridge Taco 0012	951153F	N/A	N/A	N/A	N/A
8-M	Pump Gasket Taco 0012	008749F	N/A	N/A	N/A	N/A
9-M	RTV Sealant 2.8 oz	008924F	008924F	008924F	008924F	008924F
	RTV Sealant 10 oz	005755F	005755F	005755F	005755F	005755F
10-M	Sealant Tape (Gray) Specify Length	800351	800351	800351	800351	800351
11-M	Flue Exhaust Seal Gasket	008925F	008925F	008951F	008951F	008951F
12-M	Window Combustion Chamber	006947F	006947F	006947F	006947F	006947F
13-M	Flame Sensor	006535F	006535F	006535F	006535F	006535F
14-M	Ignitor	007400F	007400F	007400F	007400F	007400F
15-M	Fiberfrax Strip Insulation 1" Wide	008405F	008405F	008406F	008406F	008406F
16-M	Touch-up Paint (Green)	750125	750125	750125	750125	750125
	Touch-up Paint (Dark Gray)	750126	750126	750126	750126	750126
<b>O</b>	<b>OPTIONS</b>					
1-O	Remote Sensor for Low Water Cut-Off	007228F	007228F	007228F	007228F	007228F
2-O	Low Water Cut Off PC Board	007157F	007157F	007157F	007157F	007157F
3-O	Momentary Switch	005641F	005641F	005641F	005641F	005641F
<b>R</b>	<b>REFRACTORY</b>					
1-R	Refractory Kit (All Panels)	007402F	007403F	007404F	007405F	007406F
2-R	Refractory Front Panel (2 Panels)	007408F	007409F	007410F	007411F	007412F
<b>S</b>	<b>SHEETMETAL</b>					
1-S	Jacket Top	008926F	008927F	008928F	008929F	008930F
2-S	Jacket Top Lower / Upper Rear	008937F	008938F	008939F	008940F	008941F
3-S	Upfront Control Panel (4 Indicator Lights)	008931F	008931F	008931F	008931F	008931F
4-S	Upper Control Access Jacket Panel	008932F	008933F	008934F	008935F	008936F
5-S	Lower Front Jacket Panel	007575F	007576F	007577F	007578F	007579F
6-S	Lower Rear Jacket Panel	007581F	007582F	007583F	007584F	007585F
7-S	Upper Left Side Jacket Panel	009014F	008942F	008942F	008942F	008942F
8-S	Upper Right Side Jacket Panel	008943F	008943F	008943F	008943F	008943F
9-S	Lower Corner Supports	007590F	007590F	007590F	007590F	007590F
10-S	Center Support Panel (Consult Factory)	N/A	N/A	N/A	N/A	N/A
11-S	Left & Right Heat Exchanger Support	008944F	008944F	008944F	008944F	008944F
12-S	Flue Collector Top	008945F	008946F	008947F	008948F	008949F
13-S	Access Panel H	007600F	007600F	007600F	007600F	007600F
	Access Panel WH	008901F	008901F	008901F	008901F	008901F
14-S	Access Panel w/Pump H	007601F	007601F	007601F	007601F	007601F
	Access Panel w/Pump WH	008902F	008902F	008902F	008902F	008902F
15-S	Pump Cover	002671F	002671F	002671F	002671F	002671F
16-S	Lamp / Switch Mtg Bracket	008950F	008950F	008950F	008950F	008950F
<b>V</b>	<b>VENTING</b>					
1-V	Outdoor Stack Top Kit	009182	009182	009183	009183	009183



[www.raypak.com](http://www.raypak.com)