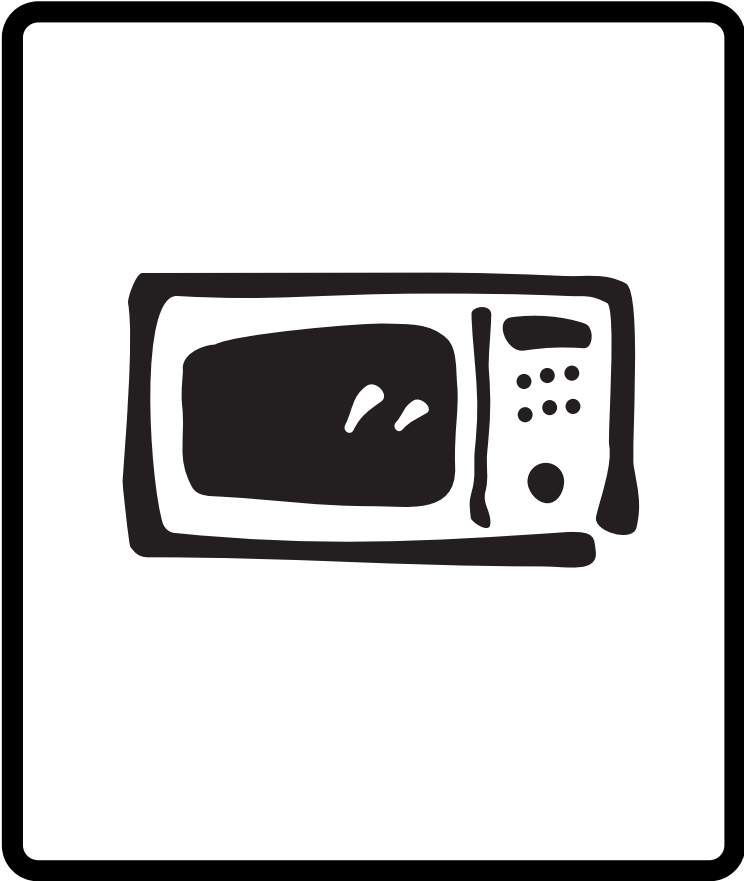


# User Manual



*Model EMC3080*



# Contents

|   |           |   |           |
|---|-----------|---|-----------|
| <b>Before using your microwave oven</b> .....       | <b>4</b>  | <b>Charts</b> .....   | <b>23</b> |
| <b>Technical data</b> .....                         | <b>4</b>  | – Recommendations for Cooking with Grill .....                  | 23        |
| <b>Safety instructions</b> .....                    | <b>5</b>  | – Recommendations for Cooking with<br>Microwave and Grill ..... | 23        |
| – Utensil safety .....                              | 5         | – Recommendations for Manual Defrost .....                      | 24        |
| – Safety Instructions when Cooking with Grill ..... | 5         | – Auto Cook Programmes Chart .....                              | 25        |
| – Testing suitability of .....                      | 6         | <b>Microwave Hints</b> .....                                    | <b>26</b> |
| – Food safety .....                                 | 6         | <b>Care and cleaning</b> .....                                  | <b>27</b> |
| – Oven utensils and accessories guide .....         | 7         | – Cleaning the accessories (turntable and support) .....        | 27        |
| <b>Getting Started</b> .....                        | <b>8</b>  | – Cleaning the interior .....                                   | 27        |
| – Unpacking .....                                   | 8         | – Cleaning the Grill .....                                      | 27        |
| <b>Installation</b> .....                           | <b>8</b>  | – Cleaning the exterior .....                                   | 27        |
| – Building in .....                                 | 8         | <b>Electrolux Warranty Australia</b> .....                      | <b>28</b> |
| – Electrical Connections .....                      | 11        | <b>Electrolux Appliance Warranty - New Zealand</b> .....        | <b>29</b> |
| <b>How to operate your microwave oven</b> .....     | <b>12</b> |   |           |
| – Name and function of parts .....                  | 12        |   |           |
| – Turntable Installation .....                      | 12        |   |           |
| – Control panel .....                               | 13        |   |           |
| – Installing the Side Rails .....                   | 14        |   |           |
| – Setting the Clock .....                           | 15        |   |           |
| – Child Safety Lock .....                           | 15        |   |           |
| – To Stop the Oven .....                            | 15        |   |           |
| – Turntable stop key .....                          | 16        |   |           |
| – Kitchen Timer .....                               | 16        |   |           |
| – Quick Start .....                                 | 16        |   |           |
| – Manual Defrosting .....                           | 16        |   |           |
| – Microwave Power setting Guide .....               | 16        |   |           |
| – Microwave cooking .....                           | 17        |   |           |
| – Cooking with Grill .....                          | 17        |   |           |
| – Convection Cooking .....                          | 18        |   |           |
| – Combination Cooking .....                         | 19        |   |           |
| – Defrost .....                                     | 20        |   |           |
| – Two Stage Cooking .....                           | 21        |   |           |
| – Auto Cook .....                                   | 22        |   |           |

## Congratulations on the purchase of your new Microwave Oven

Thank you for having chosen a Electrolux product. We are convinced that you will find your new microwave oven very useful and that it will be of great help to you. As with all new kitchen appliances, it will take some time to learn all the new functions and features, but with time, this oven will become indispensable to you.

### Before using your Microwave Oven

Read through the instruction manual carefully. In order that you can get the best from your new Electrolux Microwave Oven, the following instructions have been prepared. Please make sure you read them carefully. It is important that this instruction book is retained with the appliance for future reference. Should the appliance be sold or transferred to another owner, or if you move house and leave the appliance, always ensure that the book is supplied with the appliance or that the new owner can be acquainted with the functioning of the appliance and the relevant warnings.

Please ensure you have read the whole instruction book before using the appliance and that you follow the recommendations given.

### Technical data

|                          |                                       |
|--------------------------|---------------------------------------|
| <b>Overall dimension</b> | <b>Weight</b> 30 kg                   |
| Width 595 mm             | <b>Volume</b> 30 Litre                |
| Depth 560 mm             |                                       |
| Height 458 mm            | <b>Power source</b> 230 - 240V, 50 Hz |
| <b>Cavity dimension</b>  | <b>Fuse</b> 10A                       |
| Width 360 mm             | <b>Power consumption</b> 2300W        |
| Depth 350 mm             |                                       |
| Height 235 mm            | <b>Power output</b> 1000W             |
|                          | <b>Grill</b> 1650W                    |

## Safety Instructions

- The built-in safety interlock switches prevent the microwave oven from operating when the door is open.
- Do not tamper with them, or attempt to operate the oven with the door open as open door operation can result in exposure to microwave energy.
- Do not allow food spills or cleaner residue to accumulate on door sealing surfaces. See the Cleaning and Care section for cleaning instructions.
- Do not operate the oven if it is damaged until it has been repaired by qualified service personnel.
- It is particularly important that the oven door closes properly and that there is no damage to the: (1) door (warped), (2) hinges and latches (broken or insecure), (3) door seals and sealing surface.
- Under no circumstances should you attempt to repair the appliance yourself. Repairs carried out by inexperienced persons may cause injury or serious malfunctioning. Contact your local Service Force Centre.
- Do not remove the outer case, door or control panel at any time. Doing so may cause exposure to extremely high voltage.
- Install or locate this oven only in accordance with **“INSTALLATION INSTRUCTIONS”** found in this manual.
- Use the appliance for its intended use as described in this manual. Do not use corrosive chemicals in this appliance. This type of oven is specifically designed to heat, cook, or defrost food. It is not designed for industrial or laboratory use neither for commercial use as this will invalidate the guarantee.
- Do not operate the oven empty. If food or water is not present to absorb the microwave energy, the magnetron tube can be damaged.
- Close supervision is necessary when the oven is used by children.
- Do not store this appliance outdoors. Do not use this product near water.
- Do not attempt to dry clothing or newspapers in the microwave oven. These items can ignite.
- Do not use the cavity for storage purposes. Do not leave paper products, cooking utensils, or food in the cavity when not in use.

### Utensil safety

Most glass, glass ceramic and heat-resistant glassware utensils are excellent for use in the

microwave oven. Although microwave energy will not heat most glass and ceramic items, these utensils can become hot as heat transfers from the food to the container. The use of oven gloves to remove dishes is recommended.

### Safety instructions when cooking with grill, Convection or combination modes.

1. The glass viewing window may break if water is spilled on it during grilling or convection cooking.
2. Be sure to use an oven glove when loading and unloading the oven. Containers get very hot in the oven, so be careful not to burn yourself. The turntable and metal rack also get very hot so be sure to use an oven glove when handling them.
3. Do not touch the inner or outer viewing window with metal components when loading or unloading the oven. The inside of the door and oven get very hot so take care when attending food in the oven.
4. Do not put the turntable or containers in cold water or try to cool them quickly after use.
5. Do not place items on top of the cabinet. The top of the cabinet gets very hot, so anything placed on it may be damaged by the heat.
6. Preheat your oven only when using the Grill or Convection modes, never when using microwave or combination modes (Microwave + Grill or Microwave + Convection)




It is quite normal for steam to be emitted around the door, or for misting to occur on the door, or even for water droplets to appear below the door during the cooking cycle. This is merely condensation from the heat of the food and does not affect the safety of your oven. The door is not intended to seal the oven cavity completely.

- Do not force the turntable to rotate by hand. This may cause malfunctioning.
- Arcing in the oven during microwave operation usually occurs from use of metallic utensils. Continuous arcing, however, can damage the unit. Stop the programme and check the utensil.
- Care should be taken not to obstruct any air vents located on the top, rear, side and bottom of the oven.



**Do not use this oven for commercial purposes. This oven is made for domestic use only.**

## Testing suitability of cookware

- Place the cookware in the microwave along with a glass half full of water. Heat on  (100%) for one minute. If the cookware feels hot, you should not use it. If it is just slightly warm, you can use it for reheating but not for cooking. If the dish is room temperature, it is suitable for microwave cooking.
- Paper napkins, wax paper, paper towels, plates, cups, cartons, freezer wrap and cardboard are great convenience utensils. Always be sure containers are filled with food to absorb energy and thus avoid the possibility of overheating.
- Many plastic dishes, cups, freezer containers and plastic wraps may be used in the microwave oven. Follow manufacturer's instructions when using plastics in the oven. Avoid using plastic utensils with foods that have high fat or sugar content since these foods reach high temperatures and could melt some plastics.
- Metal utensils and utensils with metallic trim should not be used in the microwave oven, unless specifically recommended for microwave use.
- Containers with restricted openings, such as bottles, should not be used for microwave cooking.
- Use caution when removing a lid or cover from a dish to avoid steam burns.

**WARNING :** Do not leave oven unattended, and look at it from time to time when heating or cooking food in plastic, paper or other combustible containers. If smoke is observed, keep door closed, switch the oven off or disconnect oven until smoke stops.

## Food safety

- Do not heat food in a can in the microwave oven. Always remove the food to a suitable container.
- Deep fat frying should not be done in the microwave oven, because the fat temperature cannot be controlled, hazardous situations can result.
- Popcorn may be prepared in the microwave oven, but only in special packages or utensils designed specifically for this purpose. This cooking operation should never be un-attended.
- Pierce foods with non-porous skins or membranes to prevent steam build-up and bursting. Apples, potatoes, chicken livers, and egg yolks are examples of items that should be pierced.

**WARNING:** When heating liquids, e.g. soups, sauces and beverages in your microwave oven, overheating the liquid beyond boiling point can occur without evidence of bubbling. This could result in a sudden boil over of the hot liquid. To prevent this possibility the following steps should be taken:

1. Avoid using straight-sided containers with narrow necks.
  2. Do not overheat.
  3. Stir the liquid before placing the container in the oven and again halfway through the heating time.
  4. After heating, allow to stand in the oven for a short time, stirring again before carefully removing the container.
- Some products such as whole eggs and sealed containers – for example, closed glass jars – may explode and should not be heated in this oven. Occasionally, poached eggs may explode during cooking. Always pierce the yolk, then cover and allow the standing time of one minute before removing cover.

### NOTE:

- Do not force the turntable to rotate by hand. This may cause malfunctioning.
- Arcing in the oven during microwave operation usually occurs from use of metallic utensils. Continuous arcing, however, can damage the unit. Stop the programme and check the utensil.
- Care should be taken not to obstruct any air vents located on the top, rear, side and bottom of the oven.

**Do not use this oven for commercial purposes.**

**This oven is made for domestic use only.**

**Keep these instructions**

## Oven utensils and accessories guide

A variety of Utensils and Materials may be used for cooking in your microwave oven. For your safety and to prevent damaging utensils and your oven choose appropriate utensils and materials for each cooking method. The list below is a general guide.

| Material        | Utensils                         | Mode of operation |       |            |             |
|-----------------|----------------------------------|-------------------|-------|------------|-------------|
|                 |                                  | Microwave         | Grill | Convection | Combination |
| Ceramic & Glass | Corning ware                     | YES               | YES   | YES        | YES         |
|                 | Heat resistant glass ware        | YES*1             | YES   | YES        | YES*1       |
|                 | Glass ware with metal decoration | NO                | NO    | NO         | NO          |
|                 | Lead crystal glass               | NO                | NO    | NO         | NO          |
| China           | Without metal decoration         | YES               | YES   | YES        | NO          |
| Pottery*2       |                                  | YES               | YES   | YES        | YES         |
| Plastic         | Microwave oven heat-proof wear   | YES               | NO    | NO         | NO          |
|                 | Plastic wrap                     | YES               | NO    | NO         | NO          |
| Metal           | Baking pan                       | NO                | YES   | YES        | NO          |
|                 | Aluminium foil*3                 | YES               | YES   | YES        | YES         |
| Paper           | Cups, plates, towels             | YES               | NO    | NO         | NO          |
|                 | Waxed paper                      | YES               | NO    | NO         | NO          |
| Wood            |                                  | NO                | NO    | YES        | NO          |
| Accessories     | Grill rack                       | NO                | YES   | YES        | YES         |
|                 | Turntable                        | YES               | YES   | YES        | YES         |
|                 | Turntable support                | YES               | YES   | YES        | YES         |

YES: Utensils and accessories to use

NO: Utensils and accessories to avoid

\*1 Only if there is no metal trim.

\*2 Only if it does not have a glaze containing metal.

\*3 NOTE: Use aluminium foil only for shielding purposes, over use may cause arcing.

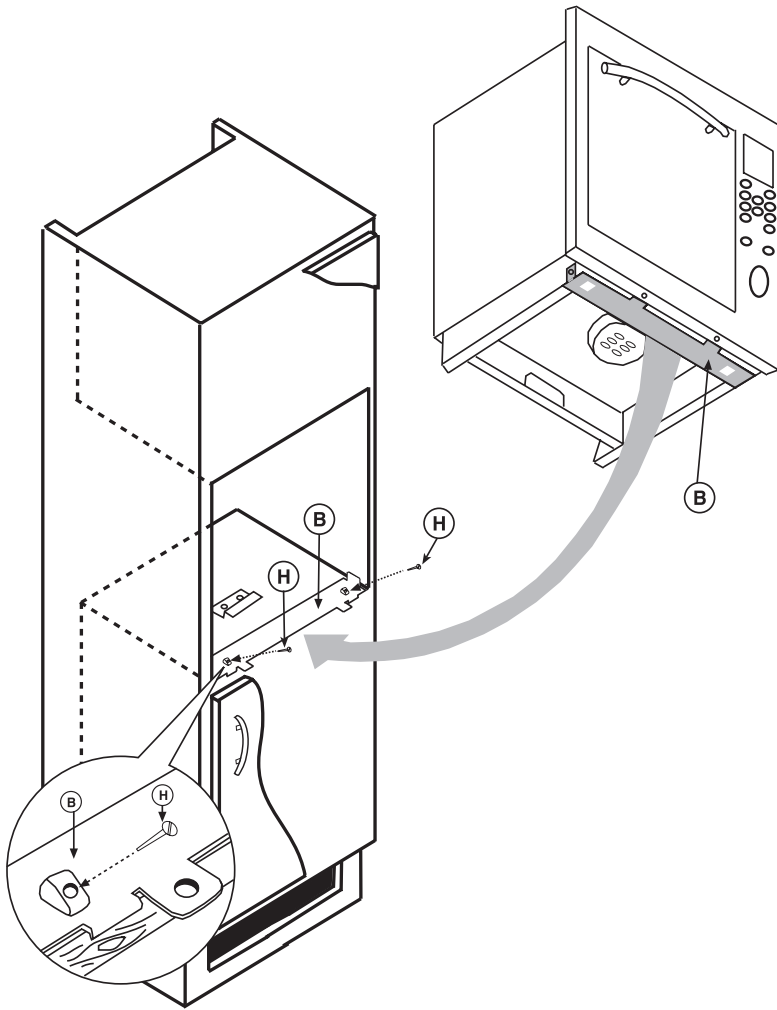
## Unpacking

N.B. When you unpack the oven, check that the product is free from damage. Damage or any missing parts must be reported immediately to the retailer. The oven, parts of the oven or the accessories may be wrapped by a protection foil. If so, you must remove this foil before using the oven. Do not leave packing material so that small children can play with it. This can be hazardous.





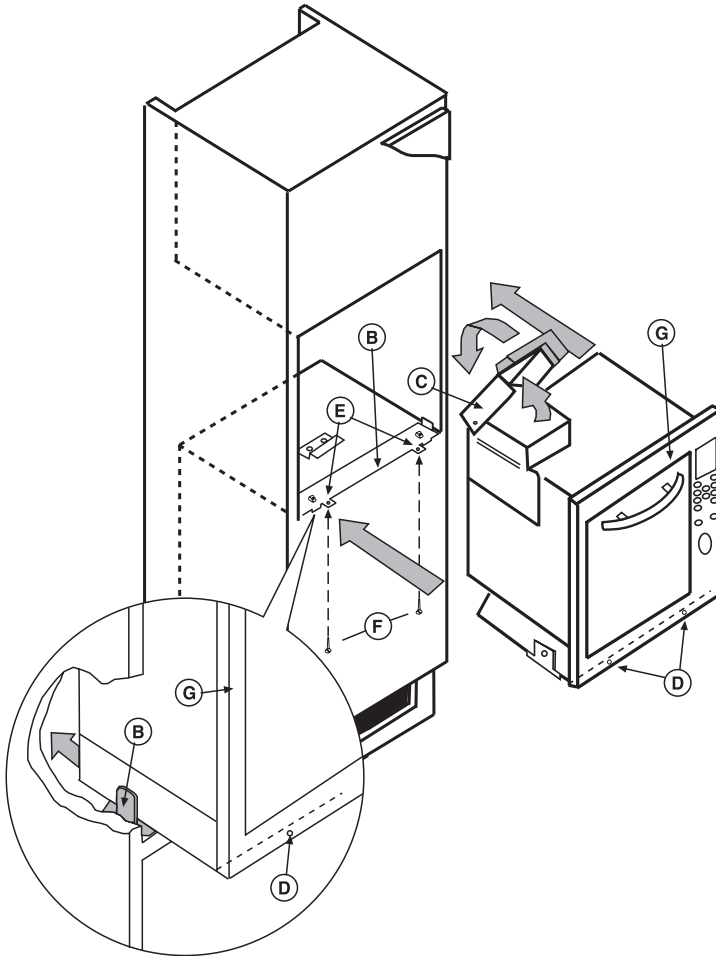
## Building In



3. Fit the fastening bar 'B' at the correct position in the recess. Make sure that there is the same amount of free space at each side of the fastening bar. Fasten the bar with screws 'H'.

Fix the fastening bar such that the two lips stick out over the edge of the bottom of the recess and rest against it at the front.

## Building In



4. Open the lid of the warm air ventilation duct 'C' fully.
5. Slide the appliance into the recess. Slide the front of the appliance over the fastening bar 'B'. Keep sliding it until the front of the oven 'G' is resting against the cupboard and the holes 'D' under the oven are aligned with the holes 'E' in the fastening bar 'B'.
6. Fasten the appliance to the fastening bar 'B' using screws 'F'.

### Attention.

The plug for the appliance should be accessible at all times.

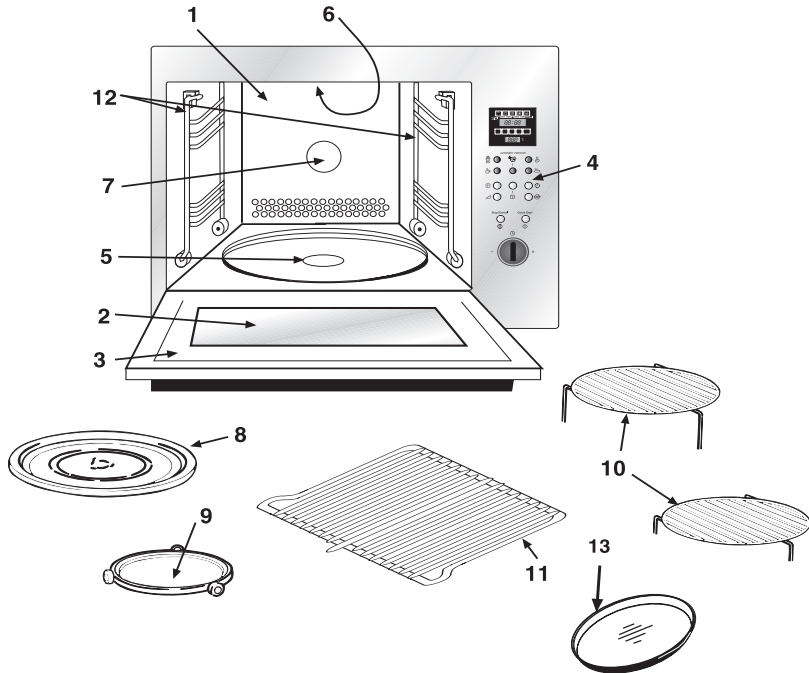
## Electrical connections

**WARNING! THIS APPLIANCE MUST BE EARTHED.**

**The manufacturer declines any liability should this safety measure not be observed.**

- If the plug that is fitted to your appliance is not suitable for your socket outlet, it must be cut off and the appropriate plug fitted.
- Remove the fuse from the cut off plug. The cut off plug should then be disposed of to prevent the hazard of shocks in case it should be plugged into a socket in another part of your home.

## How to operate your microwave oven



### Name and function of parts

1. Cooking compartment. Wipe the compartment clean after using the oven.
2. Viewing window. Food can be checked while the microwave oven is in operation.
3. Oven door. The door must always be firmly closed while cooking.
4. Control panel.
5. Drive shaft for turntable.
6. Grill Element.
7. Fan for Convection
8. Turntable.
9. Turntable support.
10. Grilling racks, one high and one low, used for most cooking and browning/grilling.

**IMPORTANT** - Use either high or low grill rack only. Do not use both grill racks at the same time.

11. Rectangular Grilling Rack. (Only for use with the conventional oven)
12. Side Rails.
13. 'PYREX' Dish

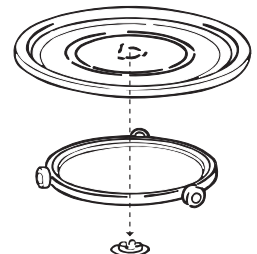
### Turntable Installation

1. Place the turntable support on the cavity Bottom.
2. Place the turntable on top of the turntable support as shown in the diagram. Make sure that turntable hub is securely locked in the turntable shaft. **Never place the turntable upside down.**
  - Both turntable and turntable support must always be used during cooking.
  - All food and containers of food are always placed on this turntable for cooking.
  - This turntable rotates clockwise and anticlockwise; this is normal.

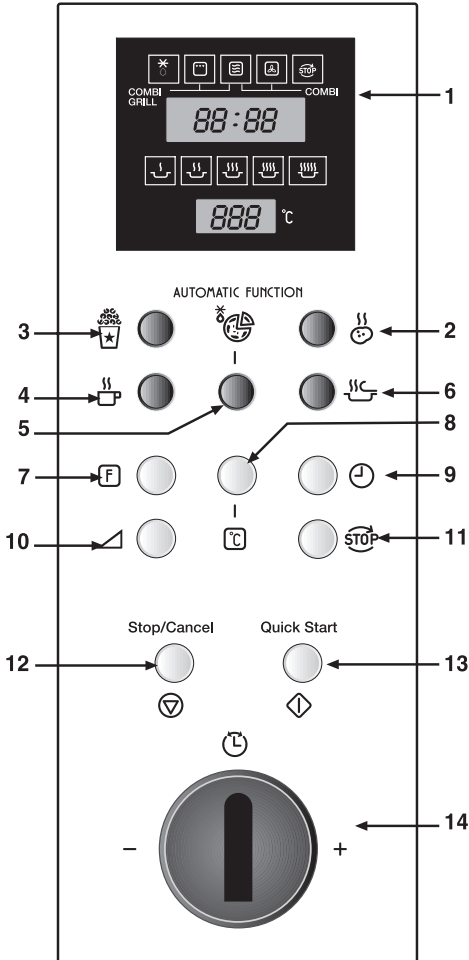
Turntable

Roller rest

Turntable Shaft



# Control Panel



## 1. Display Window

To view either Cook time, Power level, Temperature and time of day.

## 2. Potato Function

Used to automatically cook potatoes

## 3. Popcorn

Used to automatically cook popcorn

## 4. Beverages

Used to automatically ReHeat beverages

## 5. Pizza

Used to automatically cook pizza

## 6. Ready Meals

Used to automatically cook ready meals

## 7. Function

To select Microwave, Grill, Convection and combination modes.

## 8. Convection

Temperature setting for Convection Cooking

## 9. Clock

To set the time of day

## 10. Power

To set the desired Microwave power level

## 11. Turntable Stop Key

To Stop the turntable

## 12. Stop/Clear

To stop or pause your Microwave

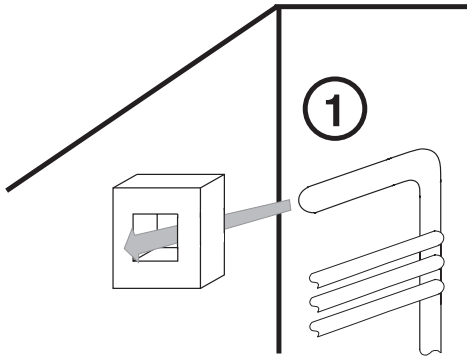
## 13. Quick Start

To start your microwave

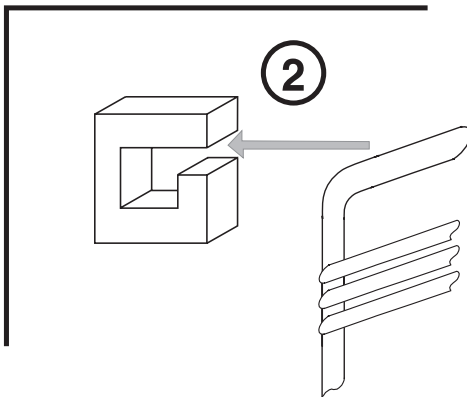
## 14. Setting Control Knob

Used to set desired cooking times.

## Installing the Side Rails



1. Slide into rear bracket first.



2. Clip over front bracket to complete installation.

**Warning: Only for use with Convection mode.**

## Setting the Clock

When your oven is plugged in for the first time or when power resumes after a power interruption, the display window flash and show "----"

### Example: To set 4.30

1. Touch the Clock button.
2. Set the time to " 4:00 " using the setting control knob
3. Touch the Clock Button
4. Set the time to " 4:30 " using the setting control knob
5. Touch the Clock button. (The Time will now be set)

**NOTE :** It is possible to display the current time even after starting the mode set, by pressing the Clock button (the time is displayed for 2 seconds).

## Child safety lock

This oven has a safety feature which prevents the accidental running of the oven by a child. After the lock has been set, no part of the microwave oven will operate until the child lock feature has been cancelled.

### To set:

1. Touch and hold the ' **Stop** ' button for 5 sec's, a beep will be heard.

To cancel the child lock, simply touch and hold the ' **Stop** ' button for 5 sec's, a beep will be heard.

## To Stop the Oven

There are two way to stop the oven whilst it is in use.

1. Press the Stop/Clear button
  - You may restart the oven by pressing the Start button
  - Pressing Stop/Clear again will reset the current programme
2. Open the door
  - You may restart the oven by closing the door and pressing the Start button
  - Pressing Stop/Clear again will cancel the current programme


This model is equipped with an automatic cooling cycle which comes into action whenever the oven is very hot (for example after something has been cooked for a long time). During this cycle the word "**COOL**" will appear on the display. The fans and the oven light will come on (they will go off automatically).

**At the end of each cooking the cooling fan will remain in operation until the oven door is opened**

## Turntable Stop Key

When using large sized containers/recipients (or containers with handles) that are not able to rotate, the movement of the turntable can be stopped. Press the TURNTABLE STOP key (15), after having first set a cooking function: the LED in the top right will start flashing.

After having pressed START, the LED will flash a further 5 times, and will then remain on for the entire set time; for best results, the food should be mixed/stirred a number of times during cooking. The TURNTABLE STOP function will remain on the next time the oven is used, that is until the TURNTABLE STOP key is pressed again.

For the microwave-only function, the maximum power available is  (reduced automatically by the electronic controller when pressing the TURNTABLE STOP key).


## Kitchen Timer

This function allows for the use of the timer, with the oven NOT functioning, for up to 60 minutes.

1. Press the FUNCTION key until 3 dashes appear on the (lower) temperature display
2. Select the desired time by turning the setting control knob
3. Press START.

At the end, 3 beeps will be heard the “end” warning will appear on display 1.






## Quick Start

Pressing the 'Start' button allows you to start your microwave at full power (  ) for 30 seconds.

Each time you press the 'Start' button you will increase the cooking time by 30 seconds, up to a maximum of 3 minutes.

This mode is activated only if it is carried out within 1 minute after the food has been placed in the oven.

## Microwave Power setting Guide

| Power Setting   | Suggested use   |
|---|---|
|  | <b>Keeping warm</b> : Keeping foods warm<br>Thawing frozen foods.   |
|  | <b>Simmer</b> : Completing the cooking cycle of some pot roasts.<br>Casseroles and stews.<br>Baked custards or cheesecakes. |
|  | <b>Medium</b> : Faster defrosting for casseroles and stews.<br>Baking cakes and sponge puddings                             |
|  | <b>Reheat</b> : Reheating of casseroles and stews..<br>Reheating pre-cooked foods.<br>Roasting joints of meat and poultry.  |
|  | <b>Max Power</b> ; Boiling or reheating liquids. Cooking vegetables.<br>Preheating a browning dish.                         |




## Microwave Cooking

1. Open the door, place the food on the turntable.  
Close the door.
  2. Press The Function Key once.
  3. Press the ' Power ' button until the desired power level is reached.
  4. Set the desired time by turning the setting control knob.
  5. Press Start **(The oven begins cooking.)**
- To turn off the oven during cooking, simply touch the Stop/Clear button.
- Note: After use, be sure to press the Stop/Clear button Twice as this will ensure that you have reset the microwave.**

---

### Example: To cook at for 15 minutes

---

1. Press the function key once.
2. Touch the Power button 2 times ( '  ' should now be showing in the display window).
3. Turn the setting control knob  
( ' 15:00 ' should now be showing in the display window).
4. Press start. The Oven will now start cooking.


## Cooking With Grill

1. Open the door, place the food on the High rack.  
Close the door.
  2. Press The Function Key 6 times.
  3. Set the desired time by turning the setting control knob.
  4. Press Start **(The oven begins cooking.)**
- To turn off the oven during cooking, simply touch the Stop/Clear button.
- Note: After use, be sure to press the Stop/Clear button Twice as this will ensure that you have reset the microwave.**

---

### Example: To cook with Grill for 15 minutes

---

1. Touch the Function button X 6 ( '  ' should now be showing in the display window) .
  2. Turn the setting control knob. ( ' 15:00 ' Should now be showing in the display window).
  3. Press start. The Oven will now start.
-

## Convection Cooking

1. Press the Function button four times.
2. Press the 'Temp' button until the desired cooking temperature is reached.
3. Set the desired time by turning the setting control knob.
4. Press Start **(The oven begins to pre-heat.)**
5. Open the door, place the food on the Low Rack. Close the door.
6. Press Start **(The oven begins cooking.)**

To turn off the oven during cooking, simply touch the Stop/Clear button.


**Note: After use, be sure to press the Stop/Clear button Twice as this will ensure that you have reset the microwave.**

When Pre-heat has finished the oven will beep three times and the temperature will be shown in the display window.

---

### Example: To cook with Convection (180° C) for 45 minutes (With pre-heat)

---

1. Touch the Function Button X 5 (  ' should now be showing in the display window).
2. Touch the 'TEMP' Button X 2 ( ' 180° C ' should now be showing in the display window).
3. Turn the setting control knob ( ' 45:00 ' should now be showing in the display window).
4. Press start.

When Pre-heat has finished the oven will beep three times and ' 180° C ' will appear in the display window.

5. Press start.
- 

**NOTE :** Convection Temperature cycles in the following sequence

60 °C, 100 °C, 130 °C, 160 °C, 170 °C, 180 °C, 190 °C, 200 °C, 210 °C, 220 °C.

## Combination Cooking



This oven offers you a choice of two methods of Combination cooking. These are ' Microwave and Convection oven ' and ' Microwave and Grill '

1. Open the door, place the food on the Low Rack. Close the door. To turn off the oven during cooking, simply touch the Stop/Clear button.
2. Press the ' Function ' button until the desired programme is reached. **NOTE : After use, be sure to press the Stop/Clear button Twice as this will ensure that you have reset the microwave.**
3. Set the desired time by turning the setting control knob.
4. Press Start (The oven begins cooking.)



**NOTE :** During both of these modes the Microwave power can be altered by pressing the Power Button.

**NOTE :** During the Combination ' Microwave and Convection cooking ' mode the Convection temperature can be altered by pressing the ' Temp ' button.



**Example: To cook with ' Microwave and Grill ' for 29 minutes.**

1. Touch the ' Function ' button 4 times.  
( '   ' should now be showing in the display window).
2. Set the desired time by turning the setting control knob.  
( ' 29:00 ' should now be showing in the display window)
3. Press start. The Oven will now start cooking.

**Example: To cook with ' Microwave and Convection ' for 29 minutes.**

4. Touch the ' Function ' button 3 times.  
( '   ' should now be showing in the display window).
5. Set the desired time by turning the setting control knob.  
( ' 29:00 ' should now be showing in the display window)
6. Press start. The Oven will now start cooking.

## Defrost

For manual, use the defrost function. To speed up the defrosting of dense foods over 450g (1lb), the oven may be started on  (100%) power for 1 - 3 minutes, then reduced to () until defrosting is complete.

- |   |  |
|---|--|
| <ol style="list-style-type: none"> <li>1. Open the door, place the food on the turntable. Close the door.</li> <li>2. Press function button twice.</li> <li>3. Set the desired time by turning the setting control knob.</li> <li>4. Press Start (The oven begins defrosting.)</li> </ol> | <p>To turn off the oven during defrosting, simply touch the Stop/Clear button.</p> <p><b>NOTE : After use, be sure to press the Stop/Clear button Twice as this will ensure that you have reset the microwave.</b></p> |
|---|--|

**Example: To defrost some food for 12 minutes.**

1. Touch the function button twice
2. Set the desired time by turning the setting control knob.
3. Press start. The Oven will now start defrosting.

### Defrosting Tips


1. It is better to underestimate defrosting time if you are unsure. Food will continue to defrost during the standing time.
2. Separate food as soon as possible.
3. Turn large items, e.g. joints, halfway through the defrosting time.
4. Remove any thawed food as soon as possible.
5. Remove or open any packaging before defrosting.
6. Place food in a larger container than that which it was frozen in, this will allow for easy stirring.
7. Begin thawing poultry, breast side down and turn over halfway through defrosting time or at pause. Delicate areas such as wing tips can be shielded with small pieces of smooth foil.
8. Standing time is very important, particularly for large, dense foods which cannot be stirred to ensure that the centre is completely defrosted before cooking.

## Two Stage Cooking


Most frozen foods should be defrosted before cooking. This oven can be set for Two Stage Cooking which will allow you to defrost your food and then cook it in one easy step.

1. Open the door, place the food on the turntable. Close the door.
  2. Press the Function button twice.
  3. Set the desired time by turning the setting control knob.
  4. Set the desired cooking mode
  5. Set the desired time by turning the setting control knob.
  6. Press Start (**The oven begins cooking.**)
- Note: After use, be sure to press the Stop/Clear button Twice as this will ensure that you have reset the microwave.**

---

**Example: To defrost for 12 minutes and then cook at  for 29 minutes**

---

1. Touch the function button twice.
  2. Set the desired time by turning the setting control knob. (12:00 should now be showing in the display window).
  3. Touch the function button once.
  4. Touch the power button 1time (  should now be showing in the display window).
  5. Set the desired time by turning the setting control knob. (29:00 should now be showing in the display window).
  6. Press start. The Oven will now start cooking.
- 

**NOTE :** For two stage cooking, after you have set the defrost time you can select any of the Five cooking modes (Microwave, Microwave and Grill, Microwave and Convection, Convection only, Grill only).

## Auto Cook

This oven can be used to automatically ReHeat Drinks, potatoes, Chilled ready meals, Frozen Pizza / ready meals and Popcorn.

1. Open the door, place the food on the turntable. Close the door.
2. Press the desired ' Auto Cook ' button until the desired programme is reached.
3. Press Start (The oven begins cooking.)

To turn off the oven during cooking, simply touch the Stop/Clear button.

**NOTE : After use, be sure to press the Stop/Clear button Twice as this will ensure that you have reset the microwave.**

**NOTE : For details See Table Below**

**NOTE :** During AUTO COOK the oven will automatically select the required microwave power and cooking time.

**Selection Chart for Auto Cook functions :-**

| Auto Programme                    | Press Button | Programme Description                            |
|-----------------------------------|--------------|--|
| <b>Beverage</b>                   | Once         | Reheat one small cup (50cc) (room temperature)   |
|                                   | Twice        | Reheat one medium cup (125cc) (room temperature) |
|                                   | Three Times  | Reheat one large cup (200cc) (room temperature)  |
|                                   | Four Times   | Reheat 1 soup bowl (300cc) (chilled)             |
| <b>Potato</b>                     | Once         | Cook 200 g of potatoes                           |
|                                   | Twice        | Cook 400 g of potatoes                           |
|                                   | Three Times  | Cook 600 g of potatoes                           |
| <b>Chilled Ready Meals</b>        | Once         | Reheat 1 portion (250-350 g)                     |
|                                   | Twice        | Reheat 2 portion (450-550 g)                     |
| <b>Frozen Pizza / Ready Meals</b> | Once         | Reheat 1 frozen pizza (250-500 g)                |
|                                   | Twice        | Reheat 1 portion (250-350 g)                     |
|                                   | Three Times  | Reheat 2 portion (450-550 g)                     |
| <b>Popcorn</b>                    | Once         | Cook 1 100 g packet of microwave popcorn         |

---

**Example: To automatically cook 600g of Potatoes.**

---

1. Touch the potato button 3 times
  2. Press start. The Oven will now start cooking.
- 

See Auto Cook Programme Chart for further details.

## Charts

### Recommendations for cooking with Grill

All foods should be placed on the high rack with a non metal dish placed underneath to catch any food spillage or juices to minimise cleaning. Turn all food halfway through the cooking time.


| Food            | QTY. (Weight) | Cooking time | Special notes                            |
|-----------------|---------------|--------------|--|
| Toast           | 2 Slices      | 4 – 5 min    |  |
| Cheese on Toast | 4 Slices      | 6 – 7 min    | 4 – 5 min. to toast. 2 min. with topping |



### General recommendations for cooking with Microwave and Grill

Use the low rack on the turntable for roast beef and pork, shield thin parts and edges. Place a non metal dish on the turn-tables under the grill rack to catch food spillage and juices. Turn food, as appropriate during the cooking time.

| Food                               | QTY (Weight) | Power Selector position   | Cooking time | Special notes   |
|------------------------------------|--------------|---|--------------|---|
| Bacon                              | 4 (100 g)    | Microwave + Grill    | 7- 9 min     |   |
| Roast Beef (Boned)                 | 900 g        | Microwave only       | 25 min       | Brush with oil. Season with salt and pepper. Allow 15 – 20 minutes standing time after cooking. |
| Roast Pork (Loin)                  | 900 g        | Microwave + Grill    | 5 - 6 min    |   |
| Pork Chops                         | 2 - 3(450 g) | Microwave + Grill    | 20 - 25 min  | Brush with oil. Season with salt, pepper and paprika.   |
| Chicken, Halved lengthways<br>Legs | 450 g        | Microwave only       | 15 - 20 min  | Brush with oil. Season with salt, pepper and paprika.   |
|                                    | 800 g        | Microwave + Grill    | 25 - 30 min  |   |
| Frozen Hamburger                   | 4 (200 g)    | Microwave + Grill   | 12 - 15 min  |   |
| Sausages                           | 450 g Only   | Microwave + Grill  | 10 - 15 min  |   |
| Fish Steak                         | 2 (350 g)    | Microwave + Grill  | 22 – 24 min  | Brush with oil, Season with salt and pepper.  |
| Frozen Potato, Hash Brown          | 2 (150 g)    | Microwave + Grill  | 16 – 18 min. |   |

## Recommendations for Manual Defrost

Some foods such as bread and fruit, can successfully be thawed manually by using this power setting (  ).

| FOOD                           | PREPARATION   | Defrost time | STANDING TIME |
|--------------------------------|---|--------------|---------------|
| <b>Bread</b>                   |   |              |               |
| Small loaf                     | Place on microwave-proof rack or kitchen paper.<br>Turn over halfway through defrosting time.   | 8–10 min.    | 10–15 min.    |
| Sliced large loaf              | Place on microwave-proof rack or kitchen paper.<br>Turn over halfway through defrosting time.   | 10–13 min.   | 10 min        |
| 2 slices                       | Place on kitchen paper.   | 45–60 sec.   | 5 min.        |
| 1 bread roll                   | Place on kitchen paper.   | 45–60 sec.   | 5 min.        |
| 2 bread rolls                  | Place on kitchen paper.   | 1–1 1/2 min. | 5 min.        |
| <b>Cakes and Pastry</b>        |   |              |               |
| Gateau 450g/1 lb               | Remove from packaging, place on plate.  | 9–11 min.    | 15–30 min.    |
| Cheesecake<br>450g/1 lb        | Remove from packaging, place on plate.  | 9–11 min.    | 15–30 min.    |
| Pie (cooked)<br>450g/1 lb      | Remove from packaging, place on plate.  | 7– 9 min.    | 15–30 min.    |
| Pastry 450g/1 lb               | Remove from packaging, place on plate.  | 7– 9 min.    | 15–30 min.    |
| <b>Butter</b>                  |   |              |               |
| 250g/8.8 oz<br>(1 packet)      | If foil wrapped, remove from wrapper and place on a plate   | 3– 4 min.    | 5–10 min.     |
| <b>Fruit</b>                   |   |              |               |
| 225g/8 oz<br>Soft berry fruits | Place in a single layer in a shallow dish.  | 5– 6 min.    | 5–10 min.     |
| 450g/1 lb<br>Soft berry fruits | Place in a single layer in a shallow dish.  | 7– 8 min.    | 5–10 min.     |
| <b>Plated meal</b>             |   |              |               |
| 400g/14 oz                     | Cover with a plate or non P.V.C. cling film.<br>To reheat, microwave on 100% (  ) for 3–4 minutes.                     | 7– 8 min     | 5–10 min.     |
| <b>Vegetables</b>              |   |              |               |
|                                | It is not necessary to defrost vegetables before cooking.<br>All vegetables can be thawed and cooked on<br>100% (  ) |              |               |



## Auto Cook Programmes Chart

| Auto Programme                    | Press Button | Programme Description                            | Special Notes   |
|-----------------------------------|--------------|--|---|
| <b>Beverage</b>                   | Once         | Reheat one small cup (50cc) (room temperature)   | After reheating the liquid, stir well to spread the temperature evenly  |
|                                   | Twice        | Reheat one medium cup (125cc) (room temperature) |   |
|                                   | Three Times  | Reheat one large cup (200cc) (room temperature)  |   |
|                                   | Four Times   | Reheat 1 soup bowl (300cc) (chilled)             |   |
| <b>Potato</b>                     | Once         | Cook 200 g of potatoes                           | Wash the potatoes thoroughly in their jackets, pierce them and put them on the turntable. They can be served stuffed with butter or cheese  |
|                                   | Twice        | Cook 400 g of potatoes                           |   |
|                                   | Three Times  | Cook 600 g of potatoes                           |   |
| <b>Chilled Ready Meals</b>        | Once         | Reheat 1 portion (250-350 g)                     | Suitable for cooked portions of food, stored in the refrigerator on the plate (the one from which the food is to be eaten). In the case of pre-cooked food products, remove the food from any aluminium packaging/containers and place it on an ovenproof plate.  |
|                                   | Twice        | Reheat 2 portions (450-550 g)                    |   |
| <b>Frozen Pizza / Ready Meals</b> | Once         | Reheat 1 frozen pizza (250-500 g)                | Place the pizza directly on the low wire rack. Place the packet on the turntable, being careful to remove any covers (film, bags). If the packet is not suitable for microwaves, however, (e.g. metal pans), remove the food from the packet on to the serving dish, placing it uncovered on the turntable. |
|                                   | Twice        | Reheat 1 portion (250-350 g)                     |   |
|                                   | Three Times  | Reheat 2 portions (450-550 g)                    |   |
| <b>Popcorn</b>                    | Once         | Cook 1 x 100 g packet of microwave popcorn       | Follow the instructions written on the box closely and place it on the turntable.   |

## Microwave Hints

- Always keep the oven clean – avoid spill-overs and do not forget to clean under the glass tray and the inside of the door.
- Preferably use round or oval casseroles with a lid when cooking in your microwave oven.
- Do not use metal or metal decorated casseroles. Certain plastic materials can melt and be warped by hot food.
- Cover the food when cooking. Use a glass lid, a plate or grease proof paper.
- Pastry, bread and the like can be defrosted directly in a bread basket or on a paper towel.
- If frozen food is heated in its packaging, the packaging should be opened. Packaging containing metal or metal decoration must not be used unless specifically recommended for use in the microwave. Remove metal clips and wire ties.
- Smaller pieces of aluminium foil can be used to cover parts that easily over cook such as chicken legs.
- Food with peel or skin should be pierced with a fork – e.g. potatoes and sausages. Do not boil eggs in the microwave oven as they can explode.
- Put large, thick pieces close to the edge of the casserole and try to cut the food in to even sized pieces. Always place the food in the centre of the oven.
- The food will be evenly cooked if you stir or turn it a few times.
- Always set a shorter cooking time than indicated in your recipe to avoid over cooking. The larger the amount of food the longer it takes.
- Use little or no water for vegetables.
- Use less salt and spices than for 'normal' cooking.
- Season afterwards.
- Allow a few minutes 'standing' time after the oven has switched off to ensure complete and even cooking results.
- Always ensure food is piping hot throughout before serving.
- Use pot holders or gloves when taking dishes and food from the oven.

## Microwave Tips

- **Softening Honey**  
If you have a jar of honey which has crystallised, remove lid and place the jar in the oven, microwave on medium power for 2 minutes.
- **Melting Chocolate**  
Break 100g of chocolate into squares, place in A bowl and heat on high power for 1-2 minutes and stir well.
- **Softening or Melting Butter**  
Melting takes a few seconds on high power. Softening is best done more gently on low power.
- **Freshen or Warm Bread**  
Use medium power for few seconds.
- **Peeling Garlic easily**  
Heat 3 or 4 cloves of garlic on high power for 15 seconds. Squeeze at one end until the clove pops out.
- **Fruit Juice**  
Citrus fruits will yield more juice if they are heated on high power for 15 seconds before squeezing.
- **Cooking Porridge**  
Porridge is easily cooked in the serving dish with no sticky pan to wash. Follow food manufacturers' recommendations.

## Care and cleaning

The oven must always be clean. Residue of food from spillovers or splatters will attract microwave energy causing it to burn on. This could reduce the efficiency of the oven and may cause bad odours. Do not attempt to tamper with or make any adjustments or repairs to any part of the oven. Repairs should only be done by a qualified service technician.

**Be sure the oven is disconnected from the electricity supply before cleaning.**

### Cleaning the accessories (turntable and support)

Clean them with mild detergent after removing them from the cavity. The turntable support should be carefully handled.

**CAUTION:** The inside of the oven and turntable get very hot, so do not touch them immediately after use.

### Cleaning the interior

Always keep the inside of the oven clean. Wipe up spill-overs and food splatters immediately. Deposits that are allowed to remain on the oven walls, door seal and door surface will absorb microwave energy, reduce the efficiency of the oven, and possibly damage the oven interior. Use mild, liquid detergent, warm water and a soft, clean cloth to remove deposits.

**NEVER USE ABRASIVE CLEANERS, COMMERCIAL OVEN CLEANERS OR STEEL WOOL PADS ON ANY PART OF THE MICROWAVE OVEN.**

To loosen difficult deposits, boil a cup of water in the microwave oven for 2 or 3 minutes.

**NEVER USE A KNIFE OR ANY UTENSIL TO REMOVE DEPOSITS FROM OVEN SURFACES.**

To remove odours from the oven interior, boil a cup of water plus 2 tablespoons of lemon juice for 5 minutes.

### Cleaning the Grill

The element may be stained with splattered fat or oil while the oven is in use. Wait until the cavity cools down and wipe off the splattered oil before next using of the oven. Stains grill may cause unpleasant odours and smoke.

The turntable motor is sealed. Nevertheless, be careful to avoid the water penetrating under the turntable spindle (D) when the bottom of the oven is being cleaned.

To make the cleaning of the inside of the oven easier, the upper heating element can be lowered by turning the ceramic hook.

### Cleaning the exterior

Open the oven door when cleaning the control panel. This will prevent the oven from being turned on accidentally. You should clean outside surfaces of the oven with mild liquid detergent and water followed by a wiping with clear water to remove any excess detergent. Dry with a soft cloth.

Spray-on window cleaners or all purpose spray-on kitchen cleaners can also be used. Never use abrasive cleaners, scouring pads or harsh chemicals on outside surfaces of your oven. To prevent damage to the working parts, do not allow water to seep into ventilation openings.

## ELECTROLUX WARRANTY AUSTRALIA

**Nothing in this warranty, limits any rights you may have under the Trade Practices Act or any other Commonwealth or State legislation. Such rights cannot be changed by the conditions in this warranty.**

Subject to the conditions below, this appliance is warranted by Electrolux Home Products Pty. Ltd. A.B.N. 51 004 762 341, (the "Company"), to be free from defects in materials and workmanship for a period of 24 months following the date of purchase (the "Warranty Period").

### **Conditions of the warranty:**

1. During the Warranty Period the Company, or its service agent, will only pay the cost of repairing or replacing all Company parts on your appliance which the Company finds to be defective.
2. The Company will decide if there are any defects in material and/or workmanship.
3. Light globes, batteries and filters are replaceable parts and are not covered under this warranty.
4. This warranty applies only for mainland Australia and Tasmania.
5. The appliance must be installed and operated in accordance with the Company's instructions.
6. This warranty does not apply to normal wear and tear, or any service, which is needed after an accident, alteration, negligence, misuse, fire or flood.
7. This warranty does not apply to damage caused if your appliance has been dismantled, repaired or serviced by any person other than someone authorized by the Company.
8. If you live outside the service area of the Company or one of its service agents, this warranty does not cover the cost of transport of the appliance for service nor the service agent's travelling costs to and from your home.
9. If you are required to transport the appliance to the Company or its service agent, you must ensure it is securely packed and insured. The Company does not accept any responsibility for loss or damage of the appliance prior to it being received by the Company or its service agent.
10. This warranty does not cover loss, damage or expense to this appliance caused directly or indirectly by power surges, electrical storm damage or incorrect power current.
11. The Company (and any company related to the Company) will not be liable for any special, incidental or consequential damages or for loss, damage or expense or for personal injury or loss or destruction of property arising directly or indirectly from the use or inability to use this appliance or any of its parts.
12. This warranty applies only to the original buyer.
13. This warranty is the only express warranty given by the Company.
14. If you are the original buyer, please keep your proof of purchase, which will be required, if you request service under this warranty.
15. The Warranty Period is only applicable when your appliance is used at home by you and your family as consumers.
16. Use of this appliance for commercial purposes is covered by this warranty for a period of 3 months from the date of purchase.

**FOR SERVICE IN AUSTRALIA  
PLEASE CALL  
13 13 49**

**FOR SPARE PARTS IN AUSTRALIA  
PLEASE CALL  
13 13 50**

# ELECTROLUX APPLIANCE WARRANTY – NEW ZEALAND

**This appliance is warranted by Electrolux Home Products (NZ) Ltd (“the Company”) from the date of purchase.  
The following terms and conditions apply:**

1. The Company or its Authorised Service Centre will pay the cost of repairing or replacing all parts of the appliance which the Company or its Authorised Service Centre find defective for a period of 24 months following the date of purchase (the "Warranty Period").
2. During the Warranty Period the Company or its Authorised Service Centre, will pay the cost of repairing or replacing all parts, which they find are defective.
3. Light globes, batteries and filters are replaceable parts and are not covered under this warranty.
4. The appliance must be installed and operated in accordance with the Company's instructions.
5. This Warranty does not apply to normal wear and tear, or any service, which is needed after an accident, negligence, alteration or misuse.
6. This Warranty also does not apply to damage caused if your appliance has been dismantled, repaired or serviced by any person other than someone authorised by the Company.
7. If you live outside the service area of the Company or its Authorised Service Centre, this warranty does not cover the cost of transport of the appliance for service nor the Authorised Service Centre's travelling costs to and from your home.
8. If you are required to transport the appliance to the Company or its Authorised Service Centre, it must be securely packed and insured. The Company does not accept any responsibility for loss or damage prior to it being received by the Company or its Authorised Service Centre.
9. This warranty is the only express warranty given by the Company.
10. This Warranty does not cover loss, damage or expense to this appliance caused directly or indirectly by power surges, electrical storm damage or incorrect power current.
11. The Company (and any company related to the Company) will not be liable for any special incidental or consequential damages or for loss, damage or expense directly or indirectly arising from the use or inability to use this appliance, or for personal injury or loss or destruction of other property.
12. Nothing in this warranty is intended to limit the rights you may have under the Consumer Guarantees Act 1993, except to the extent permitted by that Act, and all provisions of this warranty shall be read as modified to the extent necessary to give effect to that intention.
13. The Consumer Guarantees Act 1993 does not apply if your appliance is acquired for the purposes of a "business" (as defined in that Act).
14. This warranty is limited to 90 days from date of purchase if the appliance is used for commercial use.

## **IMPORTANT NOTICE**

***Before calling a service technician please carefully check the warranty terms and conditions, the operating instructions and service booklet if applicable. If the product fails for any of the customer responsibility reasons detailed therein, a service fee will be charged. Please present proof of purchase to any Authorised Service Centre should warranty service be required.***

### **SERVICE CENTRES**

**PLEASE PHONE  
0800 10 66 10**

For your nearest Authorised Service Centre please look in  
The Yellow Pages under Home Appliance Servicing  
OR

**Call 0800 10 66 10**

**Notes**



 **Electrolux**