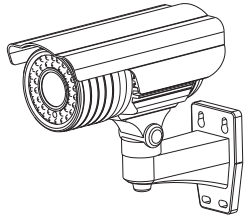


Varifocal IR Bullet Camera User Manual

VAEBLIR30VFV



Features

- Integrates varifocal lens allows for versatile utilization.
- The camera use high sensitive colour interline transfer 1/3" Sony CCD.
- Latest DSP controls for BLC, white balance, and gain control
- Automatic back-light compensation improves the image quality.
- Auto-IRIS controlled by electronic system..
- Integrated efficient powerful IR LED array can capture high-resolution picture even in complete darkness. IR lighting distance 25~30m.
- Light control design. Auto light detection for IR LED switch control.
- Exquisite design for circuit and structure, depicts high technology.
- Aluminum structure, All-sealed water-proof body.
- Outdoor sunshield housing available.

ver 1.0

I

Adjustments

Adjust varifocal lens according to the application.
When adjusting, the lens should be dismantled carefully by professional installer.

1. Screw off the camera's back cover. (Figure 1)
2. Use a right-angled screwdriver to insert the View Angle or Focus adjustment groove, and adjust the View Angle or Focus respectively to get a fine image effect. (Figure 2)
3. After adjustment finished, gyre the back cover, and cover the sunshield on the camera.(Figure 3).

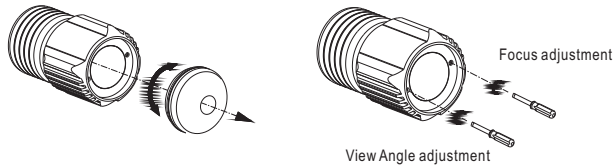


Figure 1

Figure 2

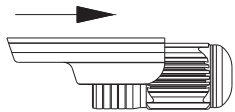


Figure 3

IV

Caution

- Do not disassemble or modify the camera to avoid possible fire, electric shock or other hazard. Please refer repairs or service to a qualified service technician.
- Take care when installing the camera. Avoid scratching the front glass window.
- Avoid Shock, Vibration. Do not install the camera on an unstable surface. It can be damaged by improper use or storage.
- Never point the camera towards direct sunlight or other sources of bright light in order to avoid a dimmer image due to too much backlighting.
- Use the camera within the published temperature, humidity, and electrical ranges.
- Provide ample slack in the video and power cables once the camera is installed in its final position.
- Request for service by a qualified technician if the camera malfunctions or generates excessive amounts of heat.

Accessories list

Unpack the camera carefully and make sure that all accessories are included for the installation.

No.	Items	Quantity
1	Camera	1 PC
2	Sunshield Housing	1 PC
3	Manual	1 copy
4	Screws	1 bag
5	Mounting Bracket	1PC

II

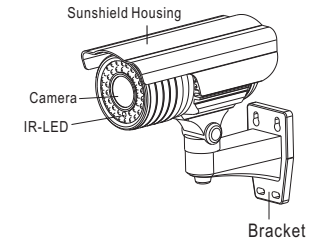
Specifications

ITEM	VAEBLIR30VFV
Signal System	PAL / NTSC system
Image Sensor	1/3" Sony CCD
Effective Pixels	PAL:500(H)×582(V), NTSC:500(H)×492(V)
Resolution	460TVLines
Lens	Varifocal lens, f=4~9mm DC Auto Iris
Minimum Illumination	0.3Lux/F1.2(IR-LED OFF), 0Lux(IR-LED ON)
Day/Night Automatically Switch	Illumination < 1~3 Lux/F2.0
S/N Ratio	More than 48dB
Gamma correction	0.45
Output Signal	1.0Vp-p
AGC	Automatic
Shutter Speed	1/50~1/100,000sec(PAL), 1/60~1/100,000sec(NTSC)
BLC	Automatic
White Balance	Automatic
Sync Mode	INT
IR-LED	Wave Length: 850nm×48pcs IR-LED
IR-LED Drive	ON:1~3Lux; OFF:5~6Lux
Consumed Current	150mA (IR OFF)+ 650mA(IR-LED ON)
Power Supply	12VDC Regulated
Operating Temperature	-10℃~+50℃ RH95%MAX (non-condensing)
Dimension	83(dia)x195(L)x178(H)mm
Body	Aluminum
Weight	850g
Housing	IP 65
Compliance	PS Cable 214500UL,CE,FCC

All data and specifications subject to change without notice.

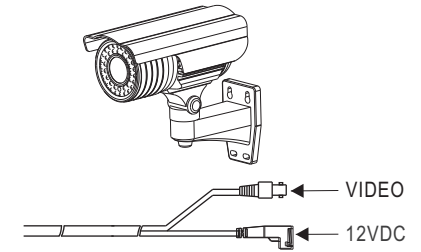
V

PARTS DESCRIPTION



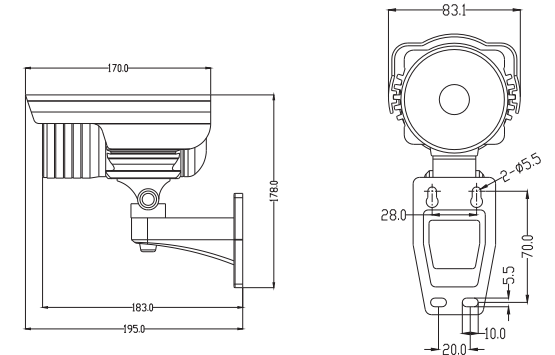
Installation

1. Fix the mounting bracket to the wall as below figure.
2. Connect the camera with DC12V adapter and video output connector, power up and a video picture will be seen at the monitor.



III

Dimensions



www.vantage.eu.com

VI