

ED-AW100N ED-AW110N

INNOVATE
The Future of Projection



ED-AW100N



ED-AW110N

ULTRA SHORT THROW WXGA EDUCATION LCD PROJECTORS

Delivering a bright, impressive 80" (203 cm) image from 82cm away, the ED-AW100N/ED-AW110N is perfect for use with interactive whiteboards. Ultra Short Throw technology combined with ample features including network capability and WXGA resolution make the ED-AW100N/ED-AW110N the most versatile and user friendly Ultra Short Throw projector yet. Expect no less from the experts in short throw projection.

Performance

- WXGA resolution (1280 x 800)
- 1500 ANSI Lumens
- 80" (203 cm) image at 82cm[†]
- Quick On and Auto Off
- Low noise level - 28dB in Normal Mode
- Daytime Mode
- Blackboard and Whiteboard Modes
- Anti Theft features:
 - PIN-Lock
 - MyScreen Password
 - Keypad Lock
 - Kensington slot
 - Transition Detector

Cost of ownership

- Extended filter life of 4000 hours with Hybrid Filter
- Long lamp life - 4000 hours (Normal Mode)**
- No additional filter cleaning costs
- Easy set up and installation
- Power saving mode
- Virtually maintenance free

Advanced Network Features

- Full connectivity including 1 x RJ-45
- Configure and control projector via network with a web browser
- Projector management via SNMP
- AMX Device Discovery
- Messenger
- PJ Link™
- Network Bridge

Environment

- The extended Hybrid Filter life means reduced electronic waste and reduced maintenance visits, resulting in an overall reduction in carbon footprint
- Paint-free casing
- Recyclable carton boxes
- Reduced power consumption - only 1W in Standby Mode

Hitachi have formulated an "Environmental Vision" to contribute towards building a sustainable society through business and product development.

Our goal is to develop life-enhancing technology that will contribute to and realise a truly sustainable society for current and future generations.

[†]from lens to screen

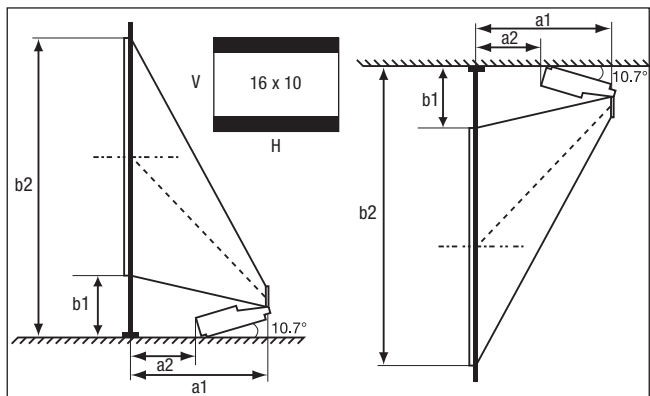
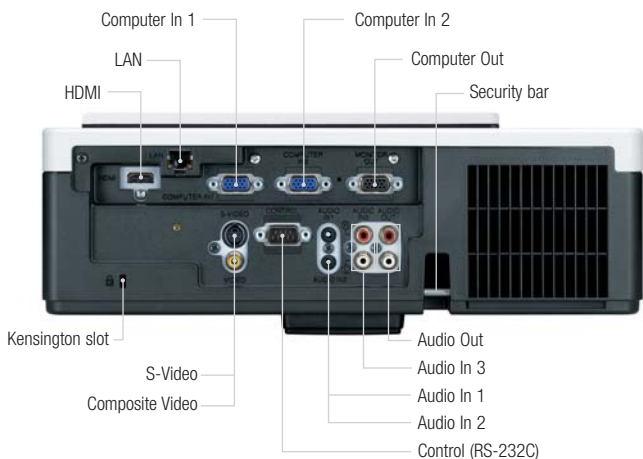


www.hitachidigitalmedia.com

HITACHI
Inspire the Next

ED-AW100N Technical specifications

ED-AW110N



Throw distance (from the top of the lens)

Screen size (diagonal)	H x V		a1	a2	b1	b2
	(m)	(m)				
60" (1.5m)	1.3	0.8	0.592	0.259	0.316	1.124
70" (1.8m)	1.5	0.9	0.705	0.372	0.349	1.292
80" (2.0m)	1.7	1.1	0.819	0.486	0.383	1.460
90" (2.3m)	1.9	1.2	0.933	0.600	0.416	1.627
100" (2.5m)	2.2	1.3	1.046	0.713	0.449	1.795

OPTICAL		
LCD Panel		0.59" (1.5cm) P-Si TFT x 3
Resolution		WXGA
Brightness	Bright Mode	2000 ANSI Lumens
	Normal Mode	1500 ANSI Lumens
Contrast ratio		400:1
Lens		Manual focus, digital zoom x 1.38
Mirror		Yes (motorised)
Lamp wattage		180W UHB
Lamp life		3000 hours (Bright Mode)/4000 hours (Normal Mode)**
Diagonal display size		60-100" (80" @ 82cm) 152-254cm (203cm @ 82cm)
Number of colours		8 Bit/colour, 16.7M colours
Lens shift		Digital shift, Optical lens shift: 5: -1, fixed
Keystone correction		Fixed, 5:-1 upward shift
Distance to width ratio		0.47:1 (fixed)

COMPATIBILITY	
Computer compatibility	IBM Compatible VGA, SVGA, XGA, WXGA, SXGA, SXGA+, UXGA Compressed, MAC 16"
Composite/S-Video	NTSC/PAL/SECAM/PAL-M/PAL-N/NTSC4.43/PAL60
Component Video	525i(480i), 525p(480p), 625i(576i), 1125i(1080i @ 50/60), 750p(720p @ 50/60), 1125p(1080p @ 50/60)
HDMI Video	Signal: 525i(480i), 525p(480p), 625i(576i), 1125i(1080i @ 50/60), 750p(720p @ 50/60), 1125p(1080p @ 50/60)
Plug & Play	DCC2B (RGB1 Input)

FEATURES	
Speaker	10W Mono
Basic functions	Freeze, Magnifying, Blank, Auto adjustment, Search
Picture adjustments	Digital zoom x 1.35, Equalizing Gamma Correction, 2-3 pull down, Progressive Scan, Noise Reduction
Digital keystone	Manual V keystone
Advanced features	MyScreen, My Memory, My Button, My Text, My Source, Blackboard/Whiteboard mode, Daytime Mode, Input Source Naming (English), Resolution setting, Template, Closed Caption (for NTSC only), Audio Pass Through, AMX Device Discovery
Outward	Easy lamp replace from top, Air filter slides towards front side or top
Power on & off	Quick Power On (9 sec), Direct On, Auto Off
Security systems	Security bar, PIN-Lock, MyScreen Password, Keypad-Lock, Kensington slot, Transition detector, My Text, Security label
Network	Configure and control projector via web browser, receive alerts via e-mail, projector management via SNMP, Scheduling, My Image, Command Control via network, Messenger, AMX Device Discovery, P.J.Link™, Network Bridge
OSD languages	English, French, German, Spanish, Italian, Norwegian, Dutch, Japanese, Portuguese, Simplified Chinese, Traditional Chinese, Korean, Swedish, Russian, Finnish, Polish, Turkey, Arabian, Persian, Czech, Danish, Hungarian, Romanian, Slovenian, Croatian, Greek, Lithuanian, Estonian, Latvian, Thai, Portuguese (Brazil)

CONNECTIONS	
Digital input	1 x HDMI
Computer input	2 x 15-pin Mini D-sub
Computer output	1 x 15-pin Mini D-sub
Video input	2 x Component D-sub (shared with analogue RGB) 1 x RCA for composite 1 x Mini-DIN for S-Video
Audio input	2 x Stereo Mini Jack 1 x pair RCA (L/R) (Selectable on OSD)
Audio output	1 x pair RCA (L/R)
Control	1 x 9-pin D-sub for RS-232C control
Network	1 x RJ-45

POWER	
Power supply	100-120V/220-240V, auto switching
Power Consumption/Standby	270W/<1W

PHYSICAL	
Dimensions (W x H x D)	333 x 118 x 303mm (excluding feet and extrusions when mirror closed)
Weight	4.8Kg
Noise level	28dB (Normal Mode)/36dB (Bright Mode)
Air filter	Hybrid

MISCELLANEOUS	
Lamp indicator light, Power light, Ceiling mount image, Rear projection image, Serial number label on side	

CERTIFICATION	
EN60950-1 (Low voltage directive) CE Marking EN61000-3-2, EN61000-3-3, EN55022, EN55024 (EMC directive), GOST-R	

ACCESSORIES SUPPLIED	
Remote control with batteries, Computer cable, Power cord, Lens cap, Security label, Cable cover, User manual (detail & concise)	

OPTIONAL ACCESSORIES	
Replacement lamp	DT01091
Laser pointer remote control	HL02483

WARRANTY	
Projector warranty	3 Years
Lamp warranty	3 Years***



HITACHI DIGITAL MEDIA, Hitachi Europe Ltd, Whitebrook Park, Lower Cookham Road, Maidenhead, Berkshire SL6 8YA UNITED KINGDOM
Tel: +44 (0)1628 585 000 Fax: +44 (0)1628 585 500 www.hitachidigitalmedia.com

* Ultra Short Throw defined as throw ratio of up to, and including, 0.38m. No.1 claim is based on PMA and Futuresource 2009 data showing Hitachi EMEA market share in Ultra Short Throw up until and including 2009Q3 was 77.2%. **The stated lamp life refers to the average life expected in ideal operating conditions with usage in accordance with the manual. The majority of, but not all lamps should achieve this figure. ***Where a lamp fails within warranty and a replacement lamp is taken, the warranty for the replacement lamp will be a maximum of 6 months (dependent on warranty hours stated). The "HD ready" Logo is a trademark of EICTA/HDMI, the HDMI logo and High-Definition Multimedia Interface are trademarks or registered trademarks of HDMI Licensing LLC. The specification above and photography is for reference only and may be subject to change.

