

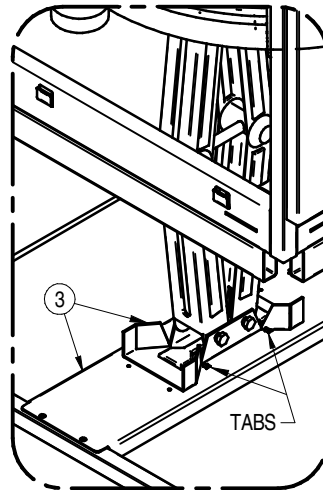
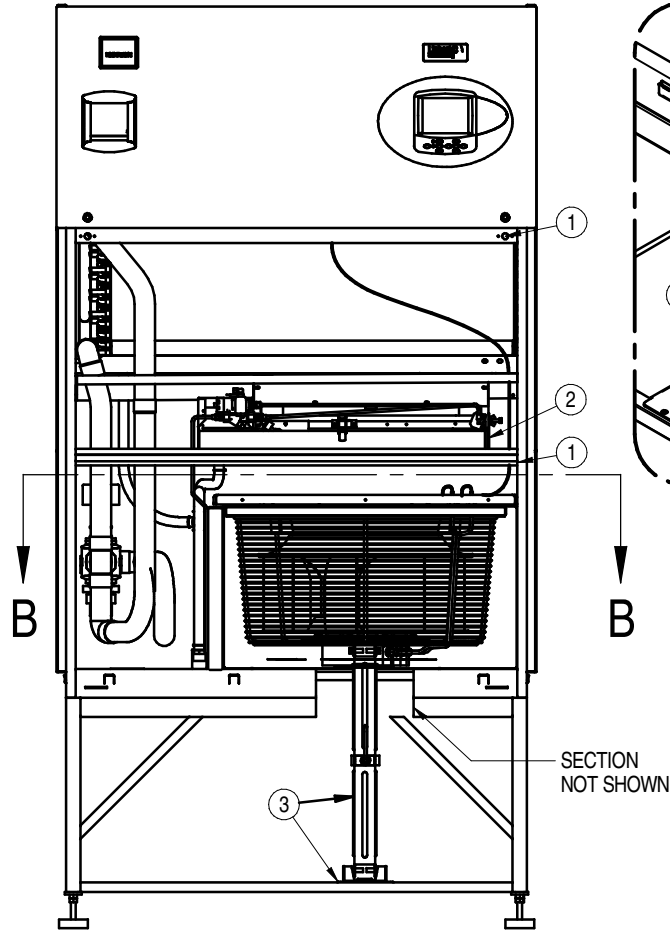
# LIEBERT EC FAN LOWERING PROCEDURE & BLOCK OFF PANEL KIT INSTALLATION

## DOWNFLOW MODELS WITH EC FANS

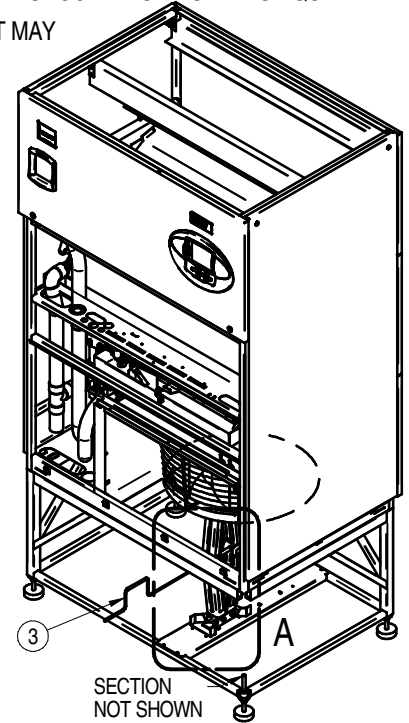
**⚠ WARNING** -RISK OF ELECTRIC SHOCK AND HIGH SPEED ROTATING FAN BLADES! CAN CAUSE INJURY OR DEATH! DISCONNECT ALL LOCAL AND REMOTE ELECTRIC POWER SUPPLIES AND VERIFY THAT FAN BLADES HAVE STOPPED ROTATING BEFORE WORKING WITHIN.

**⚠ WARNING** - RISK OF FAN MODULES DROPPING DOWNWARD SUDDENLY! CAN CAUSE INJURY OR DEATH! SUPPORT FAN MODULES BEFORE REMOVING MOUNTING HARDWARE. USE CAUTION TO KEEP BODY PARTS OUT OF THE FAN MODULES PATHWAY OF MOVEMENT DURING REPOSITIONING. ONLY QUALIFIED PERSONNEL SHOULD WORK ON THIS EQUIPMENT.

LIEBERT CW041 UNIT SHOWN WITH LIEBERT 24" FLOORSTAND. CUSTOMER UNIT MAY APPEAR DIFFERENT. READ USER MANUAL AND INSTRUCTION SHEET 195788 BEFORE RE-POSITIONING THE FAN MODULES.



DETAIL A  
JACK LOCATION



SECTION  
NOT SHOWN

TOOLS NEEDED: 1/2" HEX SOCKET & WRENCH  
FACTORY SUPPLIED JACK, CRANK  
AND JACK SUPPORT  
CABLE TIE CUTTER

LOWERING PROCEDURE (24" FLOOR HEIGHT MINIMUM):

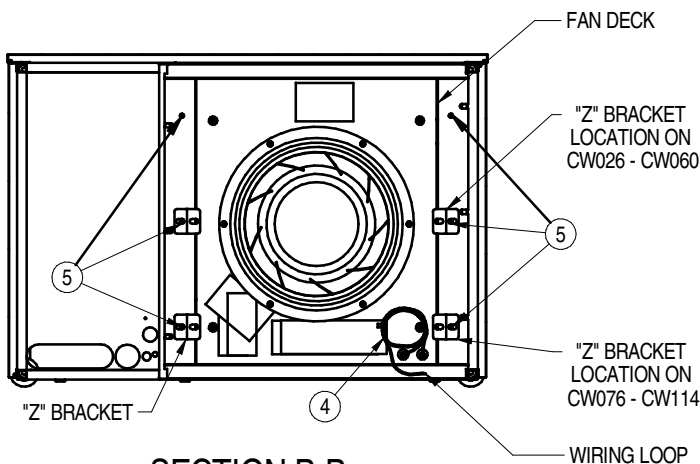
1. REMOVE THE MIDDLE AND BOTTOM PANELS FROM THE FRONT OF THE UNIT.
2. FOR EASE OF FAN LOWERING, REMOVAL OF THE HUMIDIFIER PAN IS RECOMMENDED.

3. POSITION THE FACTORY SUPPLIED JACK AND JACK SUPPORT UNDER THE FAN MODULE TO BE LOWERED. USING THE CRANK, RAISE THE JACK TO SAFELY SUPPORT THE FAN BEFORE REMOVING ANY HARDWARE.

NOTE: A PROPERLY POSITIONED JACK WILL BE CENTERED BETWEEN THE FIRST AND SECOND SET OF TABS ON THE JACK SUPPORT.

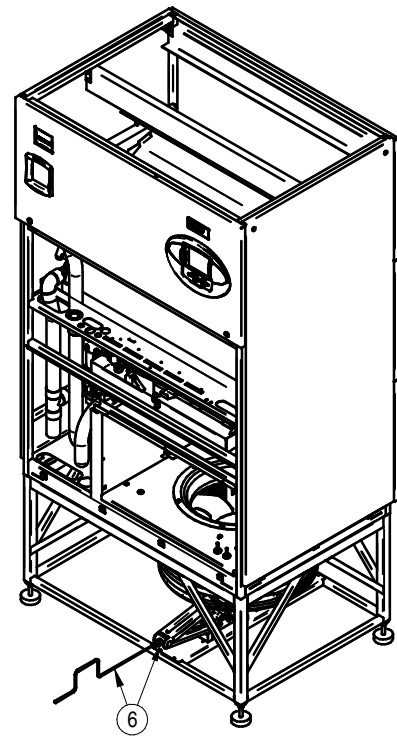
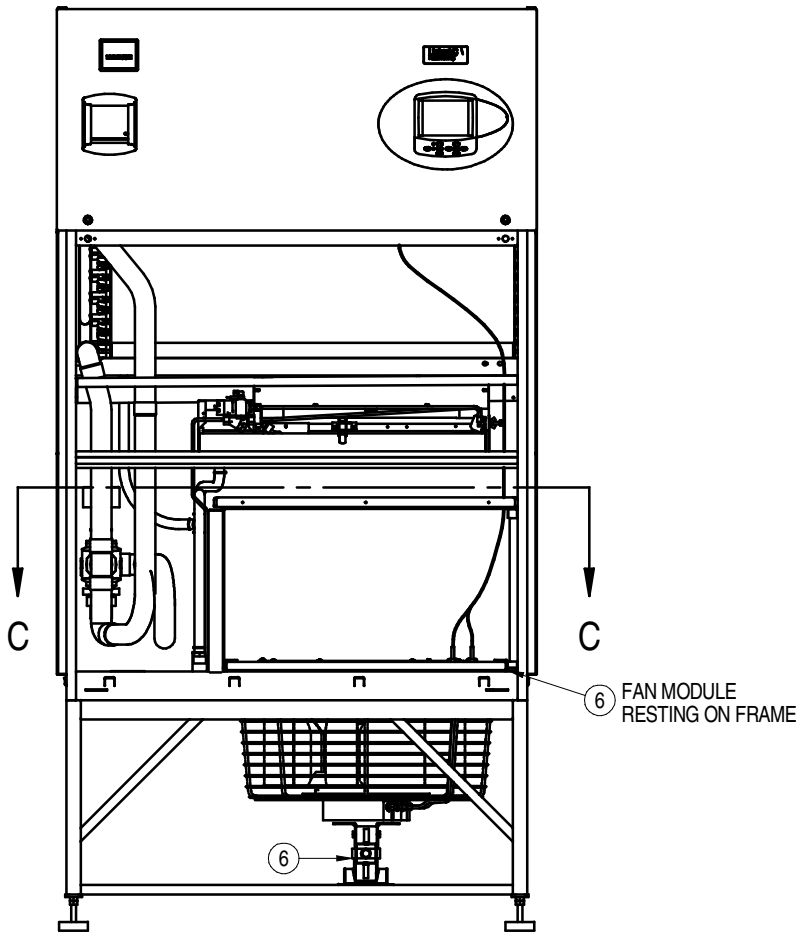
4. CUT & REMOVE THE CABLE TIE THAT RETAINS THE WIRING LOOP TO THE BLOWER MOUNTING PLATE. ALL OTHER CABLE TIES THAT ROUTE THE FAN WIRING SHOULD REMAIN INTACT.

5. REMOVE THE SIX HEX-HEAD SCREWS AND "Z" BRACKETS USING A 1/2" HEX SOCKET OR WRENCH. RETAIN HARDWARE FOR LATER STEPS. "Z" BRACKETS NOT PRESENT ON LIEBERT DS, CW146 AND CW181.



SECTION B-B

TOP VIEW OF FAN DECK



6. USING THE FACTORY SUPPLIED JACK AND CRANK, LOWER THE FAN MODULE UNTIL IT RESTS ON THE FRAME OF THE UNIT. USE CAUTION TO PREVENT DAMAGE TO THE FAN WIRE HARNESS.

7. CW026, CW038, CW041, CW076 THRU CW114 MODELS: USING THE HARDWARE REMOVED IN STEP 5, RE-INSTALL "Z" BRACKETS WITH HEX-HEAD SCREWS TO RETAIN FAN MODULE IN THE FULLY LOWERED POSITION.

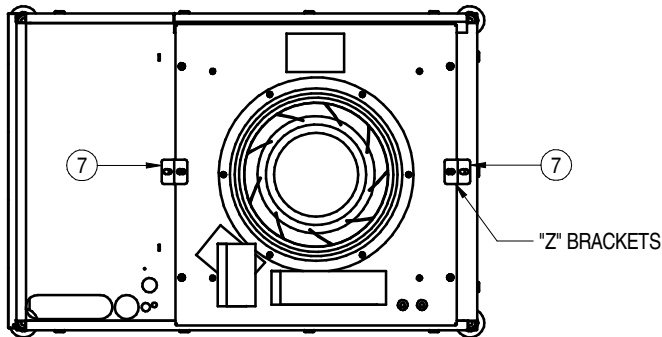
CW051 AND CW060 MODELS: USE THE HEX-HEAD SCREWS REMOVED IN STEP 5 TO SECURE THE FAN MODULE DIRECTLY TO THE CENTER FRAME SUPPORT. SCREW CLEARANCE HOLES ARE PROVIDED IN THE FAN MODULE. THE "Z" BRACKETS WILL ONLY BE USED TO SECURE THE FAN AT THE OUTER ATTACHMENT POINT.

LIEBERT DS, CW146 AND CW181 MODELS: USE THE HEX HEAD SCREWS REMOVED IN STEP 5 TO SECURE THE FAN MODULE DIRECTLY TO THE FRAME. SCREW CLEARANCE HOLES ARE PROVIDED IN THE FAN MODULE.

NOTE: NOT ALL HARDWARE REMOVED IN STEP 5 WILL BE USED TO RETAIN FANS IN LOWERED POSITION.

8. REPEAT STEPS 3-7 TO LOWER REMAINING FAN MODULE(S) IF PRESENT.

NOTE: THE FANS MUST BE OPERATED IN EITHER THE FULLY RAISED POSITION OR FULLY LOWERED POSITION. NO OTHER COMBINATION OF FAN POSITIONING IS SUPPORTED.



### SECTION C-C

FAN DECK AND SIDE PANELS NOT SHOWN IN THIS VIEW

# LIEBERT® CW

## EC FAN BLOCK OFF PANEL KIT INSTALLATION

DOWNFLOW MODELS CW026 THRU CW084 AND CW106, CW114 WITH EC FANS

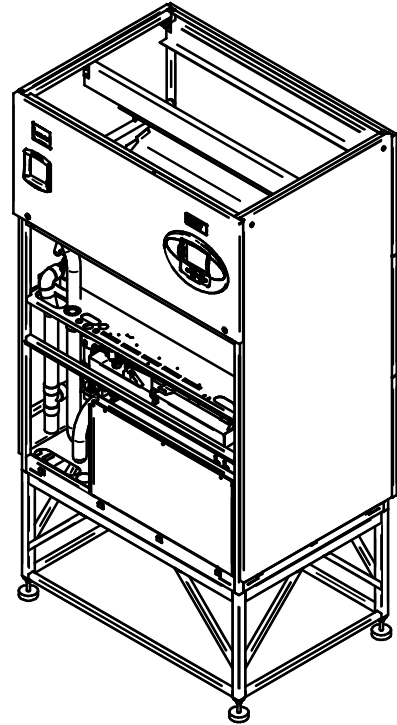
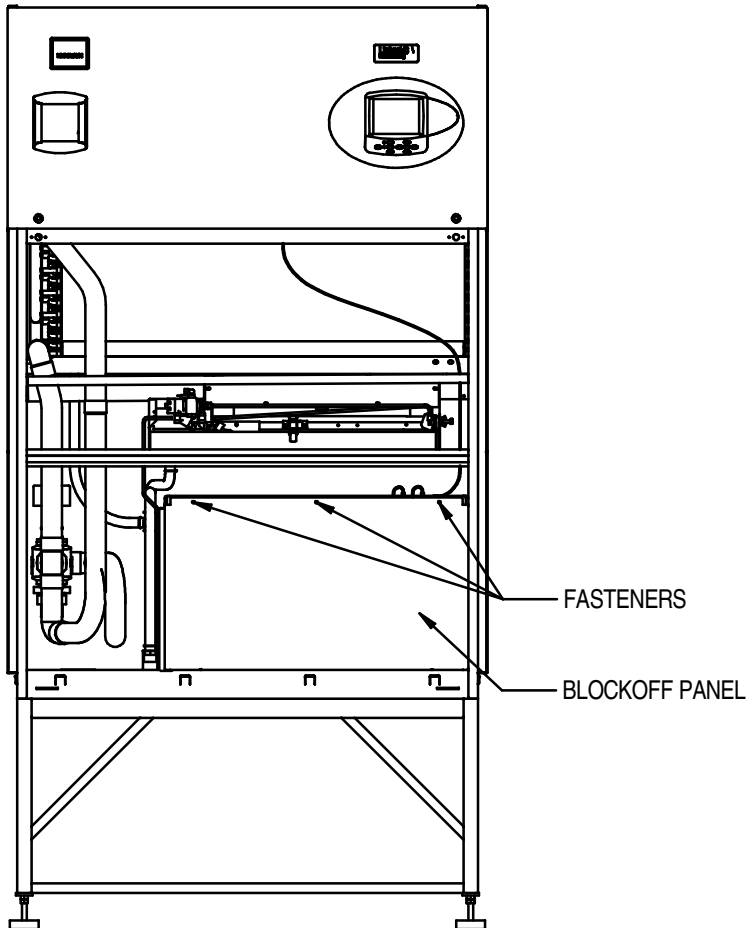


**WARNING** - RISK OF ELECTRIC SHOCK AND HIGH SPEED ROTATING FAN BLADES! CAN CAUSE INJURY OR DEATH! DISCONNECT ALL LOCAL AND REMOTE ELECTRIC POWER SUPPLIES AND VERIFY THAT FAN BLADES HAVE STOPPED ROTATING BEFORE WORKING WITHIN.



**WARNING** - RISK OF FAN MODULES DROPPING DOWNWARD SUDDENLY! CAN CAUSE INJURY OR DEATH! ONLY QUALIFIED PERSONNEL SHOULD WORK ON THIS EQUIPMENT.

LIEBERT CW041 UNIT SHOWN WITH LIEBERT FLOORSTAND. CUSTOMER UNIT MAY APPEAR DIFFERENT. READ USER MANUAL SL-18057 AND INSTALLATION INSTRUCTION SHEET 301271P1 BEFORE INSTALLING BLOCK OFF PANEL KIT. SEE INSTALLATION INSTRUCTION SHEET 301271P1 FOR SPECIFIC BLOCK OFF KIT PART NUMBERS.



APPLICATION:  
FOR UNITS UTILIZING OPTIONAL BLOCK OFF KIT  
WITH FANS OPERATED IN THE UP POSITION  
(FANS IN UNIT).

REFER TO BLOCK OFF PANEL KIT INSTALLATION  
INSTRUCTIONS 301271P1 FOR DETAILED  
INSTALLATION PROCEDURE.

NOTE: THE FANS MUST BE OPERATED IN EITHER  
THE FULLY RAISED POSITION OR FULLY LOWERED  
POSITION. NO OTHER COMBINATION OF FAN  
POSITIONING IS SUPPORTED.