

Gas Furnaces

USER MANUAL



**M4RC 92.1% AFUE Upflow
High Efficiency Furnaces**



**M4RL 92.1% AFUE Downflow
High Efficiency Furnaces**

Congratulations on the purchase on your new furnace. With our dedication to quality, superior reliability, and outstanding warranty, we know you will be pleased with this new appliance. This furnace has been designed and built to provide many years of safe and dependable home comfort, providing it is properly installed and regular maintenance has been performed. Improper use or insufficient maintenance can shorten the life of the furnace and result in serious personal injury or property damage. Please read this manual thoroughly and familiarize yourself with the safety, operation and maintenance procedures for this furnace.



WARNING:

FIRE OR EXPLOSION HAZARD

- Failure to follow safety warnings exactly could result in serious injury or property damage.
- Do not store or use gasoline or other flammable vapors and liquids in the vicinity of this or any other appliance.

WHAT TO DO IF YOU SMELL GAS

- Do not try to light any appliance.
- Do not touch any electrical switch; do not use any phone in your building.
- Leave the building immediately.
- Immediately call your gas supplier from a neighbors phone. Follow the gas suppliers instructions.
- If you cannot reach your gas supplier, call the fire department.

Installation and service must be performed by a qualified installer, service agency or the gas supplier.



WARNING:

PROPOSITION 65 WARNING: This product contains chemicals known to the state of California to cause cancer, birth defects or other reproductive harm.

Table of Contents

Safety Information	3
Air for Proper Combustion.....	3
Flammable Vapors	3
Gas Supply and Piping	3
Venting System	4
Combustibles	4
Flood Damage	4
Shutting Down the Furnace	4
Inspection.....	4
Filters	4
Description of Furnace	5
Furnaces Components.....	5
Venting System	5
Category IV Furnaces	5
Combustion Air Requirements	5
Sources of Corrosion	5
Furnace in Small Room or Closet.....	5
Startup and Shutdown	6
Starting the Furnace	6
Shutting Down the Furnace	6
Inspection	6
Frequency	6
Venting System	6
Blower and Filter	6
Air for Combustion	6
Air for Comfort.....	6
Burner Operation	7
New Construction	7
Troubleshooting	7
Location of Furnace Components	8

SAFETY INFORMATION

WARNING:

The safety information listed throughout this manual must be followed during the installation, service, and operation of this furnace. Failure to follow safety recommendations could result in possible damage to the equipment, serious personal injury, or death.

Safety markings are used frequently throughout this manual to designate a degree or level of seriousness and should not be ignored. **WARNING** indicates a potentially hazardous situation that if not avoided, could result in personal injury or death. **CAUTION** indicates a potentially hazardous situation that if not avoided, may result in minor or moderate injury or property damage.

Air for Proper Combustion

WARNING:

Do not reduce the supply of fresh air to the furnace. This could create the production of excessive amounts of Carbon Monoxide - a colorless, odorless gas that is a deadly poison that could result in serious personal injury or death. Do not block any openings that are supplying fresh air to the room or closet the furnace is in. If your furnace obtains its air through a pipe to the outdoors, do not allow the inlet of the pipe to become blocked.

Flammable Vapors

WARNING:

Do not place combustible materials on or against the furnace cabinet or within 6 inches of the vent pipe. Do not place combustible materials, including gasoline or any other flammable vapors and liquids, in the vicinity of the furnace. A fire or explosion may result causing property damage, personal injury or loss of life. Failure to follow the safety warnings exactly could result in serious injury, death or property damage.

Gas Supply and Piping

This furnace does not have a pilot. It is equipped with an ignition device which automatically lights the burner. **DO NOT** try to light the burner by hand.

BEFORE OPERATING smell all around the furnace area for gas. Be sure to smell next to the floor because some gas is heavier than air and will settle to the floor.

WHAT TO DO IF YOU SMELL GAS

- **Do not try to light any appliance.**
- **Do not touch any electrical switch; do not use any phone in your building.**
- **Leave the building immediately.**
- **Immediately call your gas supplier from a neighbors phone. Follow the gas suppliers instructions.**
- **If you cannot reach your gas supplier, call the fire department.**

Installation and service must be performed by a qualified installer, service agency or the gas supplier.

WARNING:

All gas piping and shutoff valves must be installed in compliance with local codes and utility regulations by licensed installers. DO NOT attempt to modify, or tap into existing gas lines yourself. Fire or explosion may result causing property damage, personal injury or loss of life. Failure to follow the safety warnings exactly could result in serious injury, death or property damage.

WARNING:

The furnace was shipped from the factory equipped to operate on natural gas. Conversion to LP/propane gas must be performed by a licensed HVAC technician using a factory supplied conversion kit. Failure to use the proper conversion kit can cause fire, explosion, property damage, carbon monoxide poisoning, personal injury, or death.

SAFETY INFORMATION

Venting System

WARNING:

It is imperative to maintain proper operation of the venting system. Insufficient venting could create the production of excessive amounts of Carbon Monoxide - a colorless, odorless gas that is a deadly poison that could result in serious personal injury or death.

Combustibles

WARNING:

Do not place combustible material on or against the furnace cabinet or within 6 inches of the vent pipe. Do not place combustible materials, including gasoline and any other flammable vapors and liquids, in the vicinity of the furnace.

The furnace is designed to have certain clearances to combustible items such as wood, paper, etc. Some types of insulation are combustible. If your furnace is installed in an attic, near unfinished walls, or in other insulated space, keep area surrounding the furnace free of insulating material. Do not put insulation on your furnace.

Flood damage

WARNING:

Do not use this furnace if any part has been under water. A flood damaged furnace is extremely dangerous. Attempts to use the furnace can result in fire or explosion. A qualified service agency should be contacted to inspect the furnace and to replace all gas controls, control system parts, electrical parts that have been wet or the furnace if deemed necessary.

Shutting Down the Furnace

Should you ever need to shut down your furnace for service or maintenance, shut off the gas at the gas valve first, by moving the switch to the OFF Position (Figure 1). If your installation has a manual gas shutoff valve on the gas supply pipe, shut this off, then shut off the electric to the furnace.

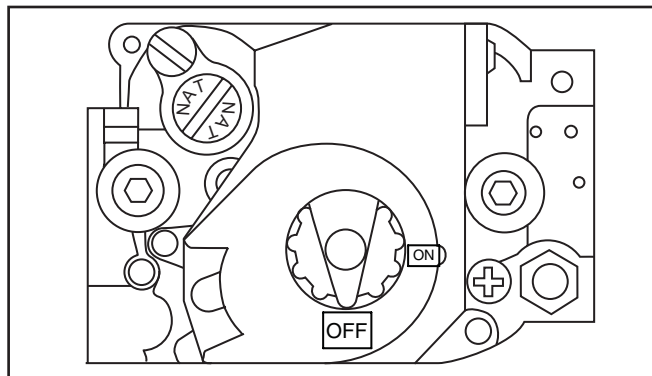


Figure 1. Gas Valve

Inspection

Your furnace and its venting system should be inspected annually by a licensed HVAC technician. The filter should be inspected at least once a month. See the section about inspections (Page 8) that you can do yourself.

Filters

WARNING:

Never operate the furnace without a filter in place. Accumulating dust in the return air can build up on internal components, resulting in loss of efficiency, equipment damage, and possible fire.

- Air filter(s) are not supplied with the furnace as shipped from the factory. The installer must provide a high velocity filter and rack for a filter in the return air duct adjacent to the furnace, or in a return air grill to the furnace.
- The furnace should always have a clean filter located either at the air return on the furnace or in an air return register in your habitable space. If the filter becomes dirty, it should be cleaned or replaced.
- New or newly renovated homes may require more frequent changing until the construction dust has minimized. Filters designed to remove smaller particles such as pollen, may require additional maintenance.

DESCRIPTION OF FURNACE

Furnace Components

The furnace components on page 8 will help you locate the different parts of the furnace. The control you need to familiarize yourself with is the gas valve. You will use this to turn the furnace on and off. There are no user serviceable parts. All repairs should be done by a licensed HVAC technician.

Venting System

This furnace is designed to fulfill the requirements of being classified as a Category IV furnace. This classification is related to the furnace's Annual Fuel Utilization Efficiency (AFUE) rating. AFUE is the percentage of fuel that is converted into usable heating energy.

Category IV Furnaces

Category IV furnaces typically have an AFUE rating over 90%. These furnaces are typically vented through plastic pipe.

COMBUSTION AIR REQUIREMENTS

CAUTION:

Do not reduce the supply of fresh air to the furnace. It is extremely important that the furnace receives an unobstructed flow of clean, fresh air to properly burn the fuel gas. If this flow of air is restricted, the partially burned combustion gases may create dangerous amounts of carbon monoxide - a colorless, odorless gas that is a deadly poison that can cause personal injury or death.

Air openings on top of the furnace and openings in closet doors or walls must never be restricted. If the furnace is operated without adequate air for combustion, the flame roll-out switch will open, turning off the gas supply to the burners. This indicates that a serious problem with the burners has occurred and must be corrected immediately. Only a licensed HVAC technician can reset this switch.

Here is a problem that should be avoided. Sometimes a furnace is properly installed and located in an unfinished part of the home. Later, the homeowner decides to remodel this area. By erecting new walls, it is sometimes possible to inadvertently restrict the furnace's air supply. Before remodeling near the furnace, consult with a local code official to make sure you will be in compliance with supplying adequate air for combustion or refer to the National Fuel Gas Code. You can find more information about supplying combustion air in the NFGC, which is available at many libraries.

Sources of Corrosion

It is known that certain common household chemicals can cause heat exchanger corrosion if they are pulled into the furnace's burners. The following is a list of chemicals that should not be used or stored near the furnace.

Do not store these chemicals near the furnace:

- Permanent wave solutions
- Chlorinated waxes and cleaners
- Chlorine based swimming pool chemicals
- Water softening chemicals
- De-icing salts or chemicals
- Carbon tetrachloride
- Halogen type refrigerants
- Cleaning solvents (perchloroethylene)
- Printing inks, paint removers, varnishes, etc.
- Hydrochloric acid
- Cements and glues
- Antistatic fabric softeners
- Masonry acid washing materials

Furnace in Small Room or Closet

If a furnace is installed in relatively small utility room or closet, the installation needs openings in the walls or door to let combustion air in. Make sure that these openings remain unobstructed. Do not modify these openings in any way without consulting a licensed HVAC technician.

STARTUP AND SHUTDOWN

Starting the Furnace:

1. Make sure the filter is clean and in place.
2. Make sure the vent system is properly installed.
3. Set the thermostat to the lowest setting.
4. Close the manual gas valve outside the furnace.
5. Turn off all electric to the furnace.
6. Remove the door from the burner compartment.
7. Move or turn the switch on the gas valve to the OFF position. See Figure 2 for valve switch location.
8. Wait 5 minutes. If there is any smell of gas, see **WHAT TO DO IF YOU SMELL GAS** on page 4.
9. Move or turn the switch on the gas valve to the ON position.
10. Turn on all electric to the furnace.
11. Open the manual gas valve.
12. Turn thermostat back up to force ignition.
13. Observe operation, including burners. If burners fail to ignite, call a licensed HVAC technician.
14. Replace the door on the burner compartment.

Shutting Down the Furnace:

Should you ever need to shut down your furnace for service or maintenance, follow these steps:

1. Set the thermostat to the lowest setting.
2. Close the manual gas valve outside the furnace.
3. Turn electric to the furnace off.
4. Open the door to the burner compartment.
5. Move or turn the switch on the gas valve to the OFF position. See Figure 2 for valve switch location.
6. Replace the door on the burner Compartment.

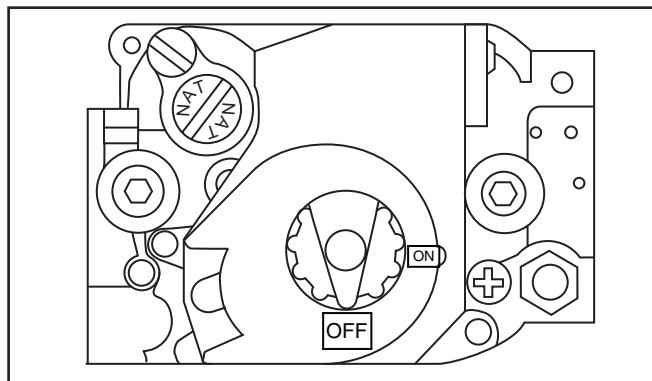


Figure 1. Gas Valve

INSPECTION

Frequency

The furnace should be inspected annually by a licensed HVAC technician. Homeowners should perform frequent visual inspections. Table 1 on page 9 contains suggested inspections and frequency of maintenance.

Venting System

- Existing vent pipes should be inspected and any corroded sections must be replaced. Obstructions or blockage must be removed by a licensed HVAC technician.
- Flue passageways, the vent system, and the burners should be inspected and cleaned (if required) by a licensed HVAC technician annually to ensure continued safe operation.

Blower and Filter

It is recommended that the blower compartment be cleaned of dirt or lint that may have accumulated in the compartment or on the blower and motor as part of the annual inspection.

Air for Combustion

- For proper and safe operation, the furnace needs air for combustion and ventilation. **Do Not** block or obstruct air openings on the furnace, or any air openings where the furnace may be installed, including any surrounding spaces.
- Direct vent furnaces pull combustion air from the outdoors and vent combustion products back outside. Combustion air coming from the outside needs to be clean of chemicals that can cause corrosion, such as pool chlorinating products.

Air for Comfort

- Keep air filters cleaned. It is recommended that the furnace air filter be checked at least once a month. Clean or replace filter to maintain proper airflow and achieve maximum efficiency.
- Furniture and drapery should be arranged so that the supply air registers and return grilles are not obstructed.

MAINTENANCE ITEM	FREQUENCY OF MAINTENANCE		
	BEGINNING OF EACH HEATING SEASON	END OF EACH HEATING SEASON	MONTHLY
Verify furnace area is free of combustible materials.	X	X	X
Verify combustion and ventilation air is not restricted.	X	X	X
Verify no signs of physical deterioration of the furnace.	X	X	X
Verify no obstructions or restrictions in vent or chimney.	X	X	
Verify no holes or cracks in vent pipe.	X	X	
Verify no corrosion in vent pipe.	X	X	
Verify the horizontal vent pipes slope upwards away from furnace.	X	X	
Verify burner flame.	X		
Clean or replace filter(s).			X
Clean blower compartment.	X		
Clean burner assembly.	X		
Clean condensate collection and disposal system (if applicable).	X		

Table 1. Maintenance Table

Burner Operation

Perform the startup instructions on page 7. The igniter should ignite the closest burner and the flames should quickly carryover to the other burners. The flames should be bright blue, with occasional yellow streaks.

New Construction

The operation of gas furnaces in a construction environment can cause a variety of problems with the furnace. Before occupying the residence, homeowners should have these safety inspections performed by a licensed technician:

- The filter must be replaced or cleaned and the furnace must be inspected by a licensed HVAC technician. The furnace must be cleaned and/or repaired if found to be dirty, damaged, or malfunctioning in any way. Before occupancy, the furnace shall be inspected and approved by applicable local authority even if this results in redundant inspections.
- The duct work must be inspected and cleaned if found to contain any construction debris.

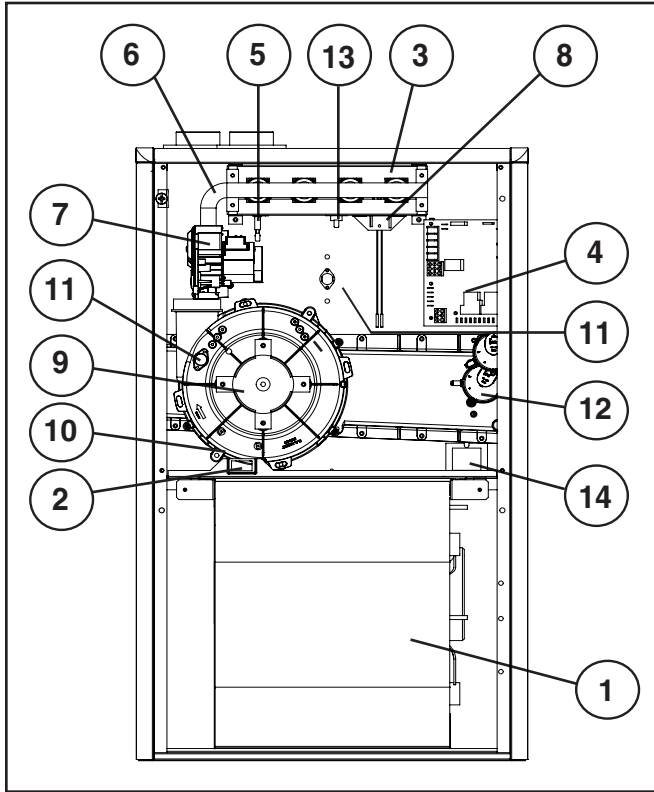
TROUBLESHOOTING

If the furnace fails to operate check the following:

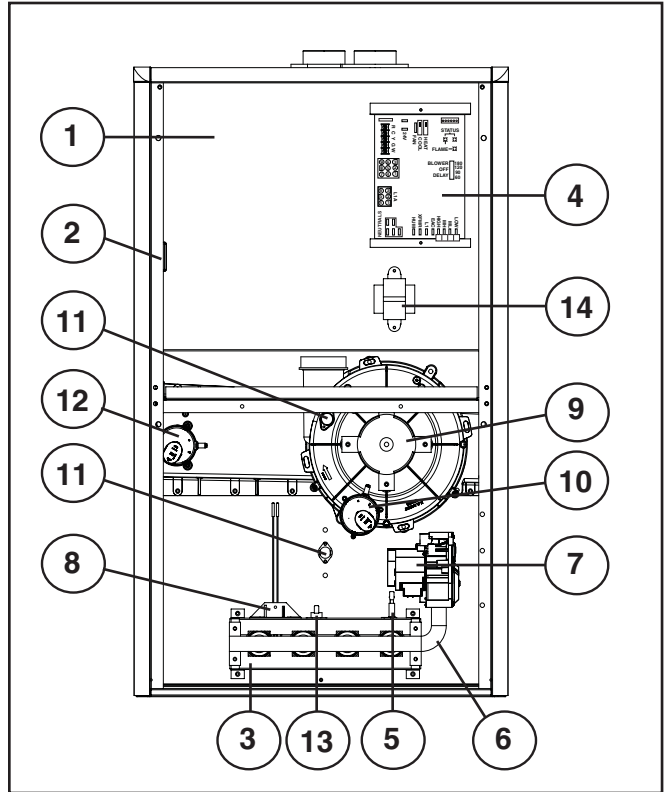
1. Is the thermostat operating properly?
2. Are the blower compartment door(s) in place?
3. Has the circuit breaker tripped or the control board fuse burned open?
4. Is the gas turned on at the manual shutoff?
5. Is the filter dirty or clogged?

If the furnace continues to not operate, contact a licensed HVAC technician

LOCATION OF FURNACE COMPONENTS



***RC 92.1% Upflow Gas Furnace**



***RL 92.1% Downflow Gas Furnace**

1. Blower Assembly	6. Gas Manifold	11. Limit Switch
2. Blower Door Switch	7. Gas Valve	12. Pressure Switch
3. Burner Assembly	8. Igniter	13. Roll-Out Switch
4. Control Board	9. Inducer Assembly	14. Transformer
5. Flame Sensor	10. Inducer Pressure Switch	



7088750



7088750

NORDYNE
O'Fallon, MO

Specifications and illustrations subject to change without notice
and without incurring obligations. Printed in U.S.A. (05/08)