

Product Specification

Full HD Ultra-mini Vandal Dome

ICA-5250

Release 1.0

This document contains confidential proprietary information and is property of PLANET. The contents of this document should not be disclosed to unauthorized persons without the written consent of PLANET.

Change History:

Revision	Date	Author	Change List
Version 1.0	2013/04/30	Brandon Wang	Initial release

Author	Brandon Wang	Editor:	Brandon Wang
Reviewed by:	Jonas Yang	Approved by:	Tom

1. PRODUCT DESCRIPTION



Superb Full HD Outdoor Professional Surveillance

The PLANET ICA-5250 PoE IP Camera provides high resolution images for round-the-clock surveillance over IP networks. It supports H.264, MPEG-4, and JPEG compression formats and delivers excellent picture quality in Full HD resolutions at 25 frames per second (fps). The IP66-rated and IK10 Vandalproof housing protects the camera body against rain and dust and ensures operation under extreme weather conditions, which makes it an ideal solution for outdoor applications, e.g. surveillance of buildings, roads, parking areas, garages, railway stations and airports.

Mini design for easy installation

ICA-5250 is a ultra lightweight IP camera. Its light weight and compact size offer a quick and simple installation on the ceilings or walls inside or outside of houses and buildings. Installation is very fast and easy and can be finished in less than 60 seconds. Build-in sense of manually adjustable that can view different angle.

Day & Night functionality

To adapt to constantly changing lighting conditions, the ICA-5250 comes with electronic day/night switching, which enables the camera to provide color video when there is sufficient light, and black/white video in dark conditions. The ICA-5250 is able to maintain clear images 24 hours a day.

Exceptional Image Quality

Together with powerful image processing attributes like Wide Dynamic Range and Dimension Noise Reduction technology, the ICA-5250 is able to filter the intense backlight surrounding a subject and remove noises from video signal. The result is that an extremely clear and exquisite picture quality can be produced even under any challenging lighting conditions.

Flexible Installation and Power Functionality

The ICA-5250 incorporates IEEE 802.3af Power over Ethernet technology and can be powered from a PoE Switch via the network, which eliminates the need for power cables and reduces installation costs. The ICA-5250 is ONVIF-compliant and therefore interoperable with other brand's products in the market, greatly supporting users to integrate with their existing surveillance network. In addition, the ICA-5250 includes 64-CH central management software for efficient monitoring. The ICA-5250 is indisputably the top choice for reliable and high performance surveillance.

2. PRODUCT FEATURES

➤ **Camera**

- 1/3.2" progressive scan CMOS sensor
- 0.5 lux Minimum Illumination at F1.6
- Electronic switching for Day & Night Function
- Maximum resolution 1920 x 1080

➤ **Video / Audio**

- H.264, MPEG-4 and M-JPEG video compression simultaneously
- Simultaneous Multi-H.264 streams support
- H.264 high profile, main profile and baseline
- Max. Resolution of 1080P at 25fps
- DNR to improve picture quality at low Lux
- WDR Enhancement function strengthens visibility under extremely bright or dark environments

➤ **Network and Configuration**

- Compliant with IEEE 802.3af PoE interface for flexible deployment
- Supports IPv6 in addition to IPv4
- RTSP / UPnP / 3GPP / HTTPS protocols selectable

➤ **Easy Installation & Management**

- ONVIF compliant for interoperability
- IP66 and IK10 outdoor classifications with fan for rigorous environment
- Built-in Samba client for NAS
- 3GPP for 3G mobile remote applications
- Micro SD card local video recording supported
- Digital Input/Output for integration with sensors and alarms
- Cam Viewer 3 Central management software supported

3. PRODUCT SPECIFICATION

3.1 COMPONENT

CPU	ARM 9 ,32 bit RISC
RAM	128MB
Flash	16Mb

3.2 FUNCTIONAL SPECIFICATIONS

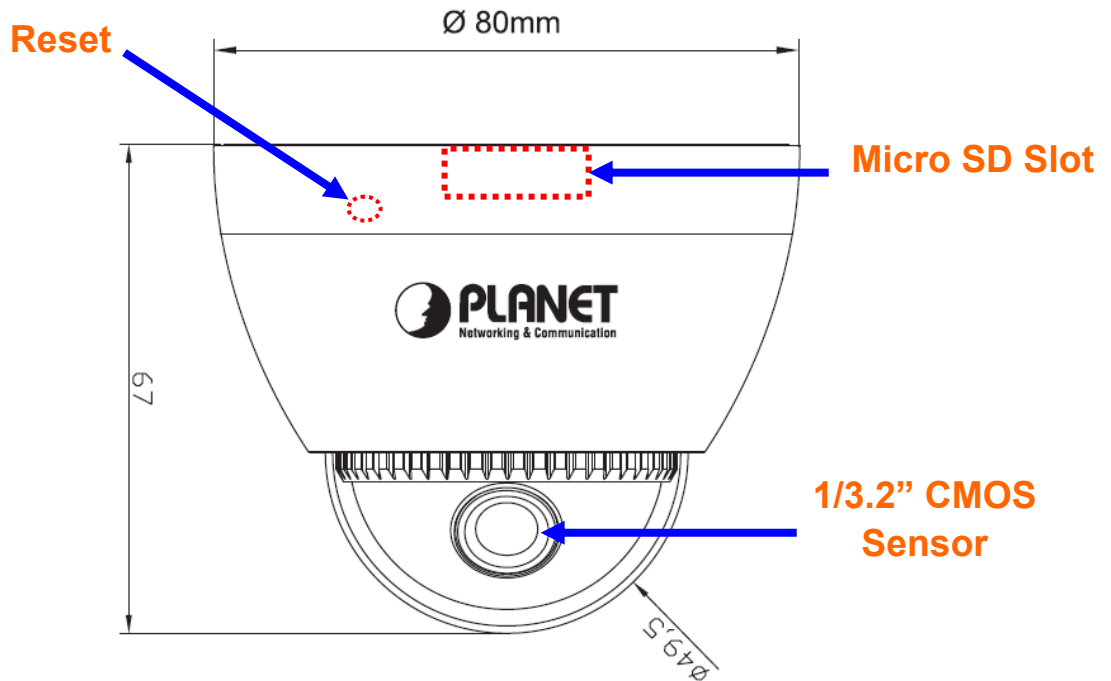
Model	ICA-5250 Full HD Ultra-mini Vandal Dome
Camera	
Image Device	1/3.2" progressive scan CMOS sensor
Lens	Fixed lens 4.2mm, F1.6 Angle of view : horizontal: 53.13 Degree / vertical: 29.49 Degree
Min Illuminator	Color : 1 Lux (AGC ON) B / W: 0.5 Lux (AGC ON)
Electronic Shutter	Auto, 1 / 5 ~ 1 / 10,000 sec
Effective Pixels	1920 x 1080 pixels
Image	
Video Compression	H.264 / MPEG-4 / M-JPEG
Video Resolution	H.264: 1080P / 1280 x 720 / 640 x 480 / 320 x 240 / 176 x 144 M-JPEG: 1080P / 1280 x 720 / 640 x 480 / 320 x 240 / 176 x 144 MPEG-4: 1080P / 1280 x 720 / 640 x 480 / 320 x 240 / 176 x 144
Frame Rate	Up to 25fps for Full HD resolution
Image Setting	Brightness, Contrast, Hue, Saturation, Sharpness, AGC, Shutter Speed adjustable, WDR, Flip, Mirror, Dimension Noise Reduction, White Balance
Streaming	Simultaneously multi-profile streaming M-JPEG streaming over HTTP Supports 3GPP mobile surveillance Controllable frame rate and bandwidth Constant and variable bit rate (MPEG-4 / H.264)
Network and Configuration	
Network Standard	IEEE 802.3 10Base-T IEEE 802.3u 100Base-TX
Protocol	IPV6, IPv4, HTTP, HTTPS, SNMP, QoS/DSCP, Access list, IEEE 802.1X, RTSP, TCP/IP, UDP, SMTP, FTP, PPPoE, DHCP, DDNS, NTP, UPnP, 3GPP, SAMBA, Bonjour
Security	Password protection, IP address filtering, HTTPS encrypted data transmission, 802.1X Port-Based authentication for network protection, QoS/DSCP
Users	10 clients on-line monitoring at the same time


System Integration	
Application Programming Interface	Open API for software integration SDK
Alarm Triggers	Intelligent video motion detection and external input 3-zone video motion detection
Alarm Events	File upload via FTP, Samba, SD card or email External output activation
General	
Power Requirement	12V DC, 1A IEEE 802.3af Class 3
Power Consumption	Max. 2.52W (12VDC) Max. 3.36W (PoE)
Housing	Weatherproof IP66 and Vandalproof of IK10
Operating Temperature	-20 ~ 50 Degree C
Operating Humidity	5 ~ 95% (non-condensing)
Weight	310g
Dimension (Φ x L)	80 x 67 mm
Emission	CE, FCC
Connectors	10/100 Mbps Ethernet, RJ-45 DC power jack Terminal block for 1 alarm input, 1 output and factory default reset Micro SD/SDHC card (Max. 32GB, Class 6)

3.3 PHYSICAL SPECIFICATION

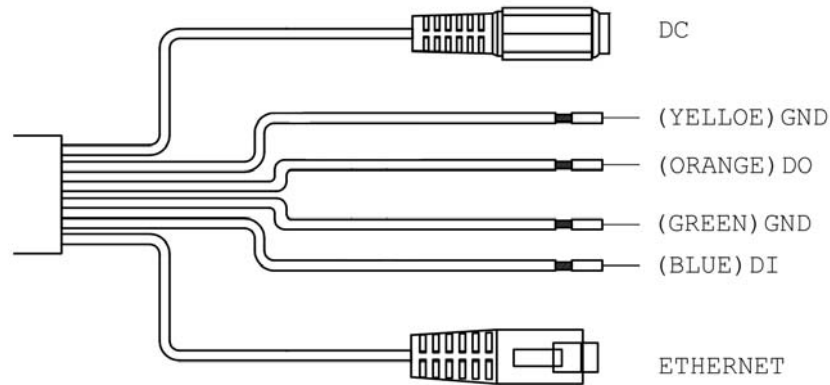
Dimension	Φ80 x 67 mm
Weight	310g (gross weight)

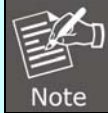
➤ **Front Panel**



Interface	Description
Image sensor	User could adjust the sense manually.
Micro-SD	User can insert a micro SD card into this slot for event recording.
Factory Default Reset	<p>This button is hidden in the pinhole. This button is used to restore the all factory default settings. Sometimes restarting the camera will make the system back to a normal state. If the system still got problems after restart, user can restore the factory default settings and install it again. To restore the device, please follow the steps below:</p> <ol style="list-style-type: none"> 1. Unplug the power jack, then press and hold the reset button. 2. Power on the camera. Don't release the button during the system booting. 3. It will take around 30 seconds to boot the camera. 4. Release the button (remove the pin from the reset hole). The camera should now be back to factory default. 5. Login the camera using the default IP (http://192.168.0.20), and username (admin), password (admin). <div style="border: 1px solid black; padding: 5px; margin-top: 10px;"> <p> Note Restoring the factory default setting will lose the all previous settings included IP address forever. User needs to run the IPInstaller program to search the device and configure it to let the device work properly again.</p> </div>

➤ **I/O Control Instruction:**



Interface	Description												
DC Power Jack	<p>The input power is 12VDC.</p> <p> Note That supply the power to the Camera with the power adapter included in package. Otherwise, the improper power adapter may damage the unit and result in danger.</p>												
DI/DO	<p>Connect the power and the ethernet with the camera. The four-colored wires are used for I/O connection. About I/ O setting.</p> <table border="1"> <thead> <tr> <th>Name</th> <th>Cable Color</th> <th>Function</th> </tr> </thead> <tbody> <tr> <td>GND</td> <td>Yellow/Green</td> <td>GND</td> </tr> <tr> <td>DI</td> <td>Blue</td> <td>Digital signal input</td> </tr> <tr> <td>DO</td> <td>Orange</td> <td>Digital signal output</td> </tr> </tbody> </table>	Name	Cable Color	Function	GND	Yellow/Green	GND	DI	Blue	Digital signal input	DO	Orange	Digital signal output
Name	Cable Color	Function											
GND	Yellow/Green	GND											
DI	Blue	Digital signal input											
DO	Orange	Digital signal output											
Ethernet	<p>The LAN socket is a RJ-45 connector for connections to 10Base-T Ethernet or 100Base-TX Fast Ethernet cabling. This Ethernet port built N-Way protocol can detect or negotiate the transmission speed of the network automatically. Please use Category 5 cable to connect the Network Camera to a 100Mbps Fast Ethernet network switch or hub.</p>												

3.4 ENVIRONMENTAL SPECIFICATION

Temperature

Operating	-20 ~ 50 degree C
Storage	-20 ~ 70 degree C

Operating Humidity

Operating	5 ~ 95% (non-condensing)
Storage	0 ~ 95% (non-condensing)

3.5 ELECTRICAL SPECIFICATION

Device Input Voltage	12V DC / 1A	
Power Adapter	Power Input	100~240, 50-60Hz, 0.3A Switching Power Supply
	Power Output	12V DC / 1A

3.6 REGULATORY COMPLIANCE

CE, FCC, RoHS, WEEE

3.7 RELIABILITY

MTBF> 50,000hrs @ 25 Degree C

3.8 BASIC PACKAGING

- Camera unit x 1
- Power Adapter x 1
- User's Manual CD x 1
- Quick Installation Guide x 1
- Stand Package x 1
- Screw Kit x 1
- Mounting label x 1
- RJ45 Female to Female Connector x 1

3.9 PACKAGE INFORMATION

Dimension	145 x 130 x 88mm (W x D x H)
Weight	560g
Carton Dimension	609 x 276 x 467 (W x D x H)
Carton Weight	23 kg
Carton Unit	40 pcs in one carton

APPENDIX A: DEFAULT SETTING

Default DHCP Client	On
Default IP Address	192.168.0.20 – if no DHCP existed in the network
Default Login User Name	admin
Default Login Password	admin
Search Tools	IP Installer