

Battery Adapter

The Battery Adapter (3053310) allows a standard 7.2 V "Sony™ NP-F / L-type" battery (not supplied) to be directly mounted onto an H5D, H5D-MS or H4D-60 sensor unit to provide stand-alone operation when FireWire operation is not possible. This is especially useful when using the H5D sensor unit attached to a technical camera on location, for example.

There are three different Battery adapter plates (supplied as separate items) that support the mounting of the adapter to the three sensor units respectively; 3053312 for H5D, 3053314 for H5D-50 MS and 3053316 for H4D-60. Please ensure you have the correct version.

In each case, the Battery adapter plate is attached to the sensor unit first followed by the Battery Adapter. A small cross-headed screwdriver (size: PH1) is needed for both operations.

The Battery adapter plate can remain attached to the sensor unit when the Battery Adapter is not required. It only takes a few moments to remove or attach the Battery Adapter to the Battery adapter plate when required.

Fitting

1. Invert the sensor unit as in the illustration.

Remove the protective rubber cover that shields the connector port. Keep it safe for later use.



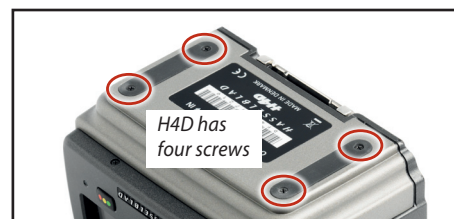
2. Remove the two screws (H5D) / four screws (H4D) from the lower plate on the sensor unit.

Choose the correct FixPlate that suits the sensor unit model:

3053312 for H5D

3053314 for H5D-50 MS

3053316 for H4D-60



Battery Adapter & Battery Adapter Plates

(Item nos. 3053310, 3053312, 3053314, 3053316)

3. Ensure the correct orientation of the Battery adapter plate (the item number should be facing up as in the illustration) when placing into position.

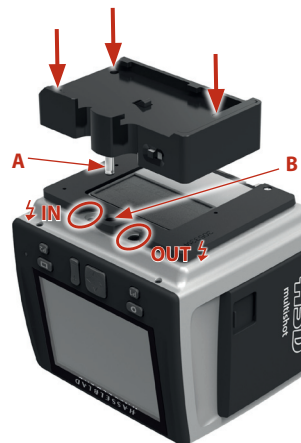


4. H5D versions (3053312, 3053314) require two screws and H4D versions (3053316) require four screws for attachment to the sensor unit.



5. The Battery Adapter includes three captive screws. Check for the correct orientation of the Battery Adapter (as in the illustration) and lower it down onto the Battery adapter plate, ensuring the plug **A** fits firmly into the connector port **B**. Screw the Battery Adapter onto the Battery adapter plate using the three captive screws. To avoid damage to the components, do not overtighten the screws.

If you intend to use flash / strobe lighting, camera and flash sync leads can be connected now also.



6. Place a fully loaded battery (7.2 V “Sony™ NP-F / L-type”) down onto the Battery Adapter, as in the illustration, and then slide it along until it stops and the locking button clicks into place.

To remove the battery, hold the locking button in while sliding the battery out.



7. The sensor unit can now be activated by the On / Off switch on the adapter.



Battery Adapter Plates

Battery Adapter Plates (3053312, 3053314, 3053316) provide the necessary support for the mounting of a Battery Adapter (3053310) onto the sensor units of H5D, H5D-MS and H4D-60 camera models. Mounting screws are supplied. A small cross-headed screwdriver (size: PH1) is needed (not supplied) to complete the operation. Please ensure you select the correct plate to suit your camera model.

Fitting

Please see the Battery Adapter (3053310) user manual for detailed fitting instructions.

Plate no.	H5D	H5D-MS	H4D-60
3053312	X		
3053314		X	
3053316			X

- FRA** Ce texte dans votre langue?
Utilisez "Google Translate" sur Internet.
- DEU** Diesen Text in Ihrer Sprache?
Verwenden Sie "Google Translate" im Internet.
- ESP** Este texto en su idioma?
El uso de "Google Translate" en Internet.
- ITA** Questo testo nella tua lingua?
Utilizzare "Google Translate" su Internet.
- PRT** Este texto na sua língua?
Usar "Google Translate" na Internet.
- SWE** Denna text på ditt språk?
Använd "Google Translate" på Internet.
- NLD** Deze tekst in uw taal?
Gebruik "Google Translate" op het internet.
- JPN** あなたの言語でこのテキストは？
使用してインターネット上のGoogleの翻訳。
- CHN** 在您的语言文字？
使用 谷歌翻译 在互联网上。
- IND** इसी भाषा में यह पाठ?
का उपयोग "Google Translate" इंटरनेट पर:
- RUS** Этот текст на вашем языке?
Используйте "Google Переводчик" в Интернете.
- SAU** هذا النص في لغتك؟
استخدم ترجمة جوجل على الإنترنت.