



Bluetooth HD Soundbar with Detachable Wireless Speakers

User's Guide for Model ITB474B v1067-01

For the most up-to-date version of this User's Guide, go to www.iLiveElectronics.com

Warnings and Precautions

FCC Warnings

Warning: Changes or modifications to this unit not expressly approved by the party responsible for compliance could void the user's authority to operate the equipment.

NOTE: This equipment has been tested and found to comply with the limits for a Class B digital device, pursuant to Part 15 of the FCC Rules. These limits are designed to provide reasonable protection against harmful interference in a residential installation. This equipment generates, uses, and can radiate radio frequency energy and, if not installed and used in accordance with the instructions, may cause harmful interference to radio communications. However, there is no guarantee that interference will not occur in a particular installation. If this equipment does cause harmful interference to radio or television reception, which can be determined by turning the equipment off and on, the user is encouraged to try to correct the interference by one or more of the following measures:

- Reorient or relocate the receiving antenna.
- Increase the separation between the equipment and receiver.
- Connect the equipment into an outlet on a circuit different from that to which the receiver is connected.
- Consult the dealer or an experienced radio/TV technician for help.

Additional Warnings and Precautions

- **CAUTION:** TO PREVENT ELECTRIC SHOCK, MATCH WIDE BLADE OF PLUG TO WIDE SLOT, FULLY INSERT.
- **WARNING:** To reduce the risk of fire or electric shock, do not expose this apparatus to rain, moisture, dripping, or splashing.
AVIS: Pour réduire le risque d'incendie ou de choc électrique, ne pas exposer cet appareil sous la pluie et l'humidité.
- **CAUTION:** Use of controls or adjustments or performance of procedures other than those specified may result in hazardous radiation exposure.
- **WARNING:** Changes or modifications to this unit not expressly approved by the party responsible for compliance could void the user's authority to operate the equipment.
- **WARNING:** Do not place this unit directly onto furniture surfaces with any type of soft, porous, or sensitive finish. As with any rubber compound made with oils, the feet could cause marks or staining where the feet reside. We recommend using a protective barrier such as a cloth or a piece of glass between the unit and the surface to reduce the risk of damage and/or staining.
- **WARNING:** Use of this unit near fluorescent lighting may cause interference regarding use of the remote. If the unit is displaying erratic behavior move away from any fluorescent lighting, as it may be the cause.
- **CAUTION:** Danger of explosion if battery is incorrectly replaced. Replace only with the same or equivalent type.
AVIS: Danger d'explosion si les piles sont remplacées de façon incorrect. Remplacer les piles seulement par le même type de pile ou l'équivalent.
- **WARNING:** There is a danger of explosion if you attempt to charge standard Alkaline batteries in the unit. Only use rechargeable NiMH batteries.
- **WARNING:** The remote control's button cell battery contains mercury. Do not put in the trash, instead recycle or dispose of as hazardous waste.
- **WARNING:** Lithium batteries, like all rechargeable batteries, are recyclable and should be recycled or disposed of in normal household waste. Contact your local government for disposal or recycling practices in your area. They should never

be incinerated since they might explode.

- **WARNING:** Shock hazard - Do Not Open.
AVIS: Risque de choc électrique - ne pas ouvrir
- Caution and marking information is located at the rear or bottom of the apparatus.
Attention et de marquage des informations est situé sur le panneau arrière ou inférieur de l'unité.
- Objects filled with liquids, such as vases, shall not be placed on the apparatus.
Objets remplis de liquides, comme des vases, ne doivent pas être placés sur l'appareil.
- Mains plug is used as disconnect device and it should remain readily operable during intended use. In order to disconnect the apparatus from the mains completely, the mains plug should be disconnected from the mains socket outlet completely.
La prise du secteur est utilisé pour déconnecter le système. La prise du secteur ne doit pas être obstruée ou doit être facilement accessible pendant son utilisation. Pour être complètement débranché de l'alimentation d'entrée, la prise doit être débranchée du secteur.
- Battery shall not be exposed to excessive heat such as sunshine, fire or the like.
Les piles ne doivent pas être exposées à de forte chaleur, tel qu'à la lumière du soleil, au feu ou autres choses de semblable.
- This product is supplied with a coin/button cell battery. If the coin/button cell battery is swallowed, it can cause severe internal burns and can lead to death.
Ce produit est livré avec une pile pièce / touche. Si la pile pièce / bouton est avalé, il peut causer des brûlures internes graves et peut conduire à la mort.
- Keep new and used batteries away from children. If the battery compartment does not close securely, stop using the product and keep it away from children.
Gardez les piles neuves et d'occasion à partir des enfants. Si le compartiment de la batterie ne pas fermer correctement, cesser d'utiliser le produit et garder loin des enfants.
- If you think batteries might have been swallowed or placed inside any part of the body, seek immediate medical attention.
Si vous pensez que les batteries peuvent avoir été avalé ou placé à l'intérieur d'une partie du corps, consulter immédiatement un médecin.
- Do not mix old and new batteries.
Ne pas mélanger vieilles et nouvelles batteries.
- Completely replace all old batteries with new ones.
Remplacer complètement toutes les piles par des neuves.
- Do not mix alkaline, standard (carbon-zinc), or rechargeable (ni-cad, ni-mh, etc) batteries.
Ne mélangez pas des piles alcalines, standard (carbone-zinc) ou rechargeables (Ni-Cd, Ni-MH, etc) batteries.
- Batteries should be recycled or disposed of as per state and local guidelines.
Piles doivent être recyclées ou éliminées selon les directives étatiques et locales.

Table of Contents

Unboxing Your HD Soundbar	4
Features & Specifications	
Includes	
Setup	4
Power	
Indicator Lights	
Remote Battery	
Orientation	5-6
Speaker Inputs (Rear)	
Speaker Controls (Front)	
Remote Layout	
Audio Inputs	7-8
Using the Stereo RCA Inputs	
Using the Stereo RCA Inputs and the Subwoofer Output Together	
Using the Optical Input	
Using the Line In	
Using the Optical Input - Rear View	
Using the Line In - Side View	
Bluetooth	9
Pairing a Bluetooth Device for the First Time	
Playing Audio Wirelessly	
The Satellite Speakers	10-11
The Satellite Speakers	
Satellite Speaker Indicator Lights	
Powering On the Satellite Speakers	
Re-Connecting the Satellite Speakers	
Charging the Satellite Speakers	
Satellite Speakers (Left/Right)	
Main Speaker Dock (Left)	
Company Information	12
Contact Information	
International Support	
Green Initiative	
Warranty	

Unboxing Your HD Soundbar

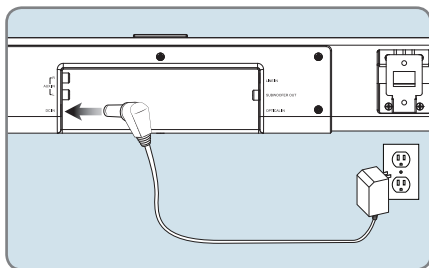
Features & Specifications

- 4 channel sound
- Supports Bluetooth
- Supports profile A2DP (Advanced Audio Distribution Profile)
- 2.4GHz wireless speakers
- Detachable satellite speakers with built-in lithium battery
- Digital volume control
- Remote
- Optical digital audio input
- 3.5mm audio input
- RCA stereo audio inputs
- LED pairing indicator
- LED source indicators
- Wall mountable
- Cloth speaker grill

Includes

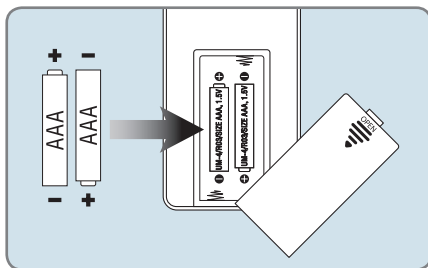
- Remote control with 2 AAA batteries
- RCA stereo audio cable
- Wall-mount hardware and instructions
- AC/DC power adapter

Setup



Power

Plug the small end of the power cord into the DC Input on the back of the speaker, and the large plug into a standard wall outlet.



Remote Battery

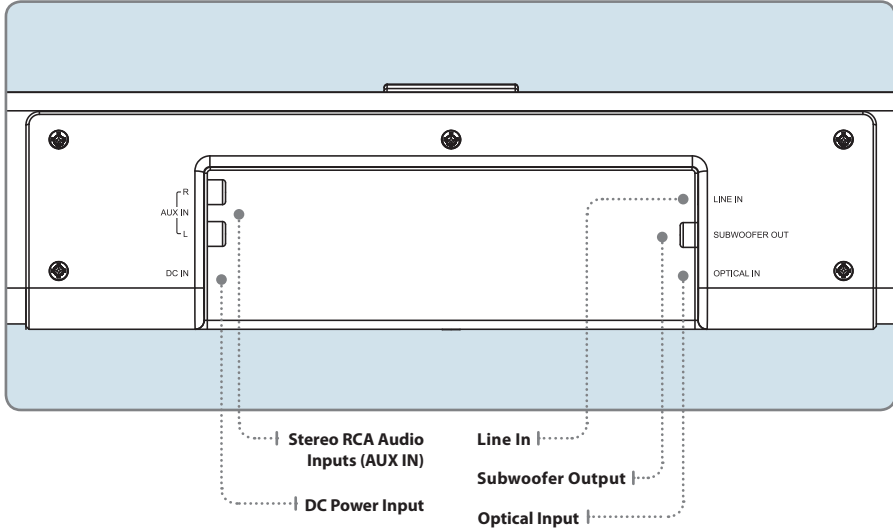
Requires two AAA batteries (included).

Indicator Lights

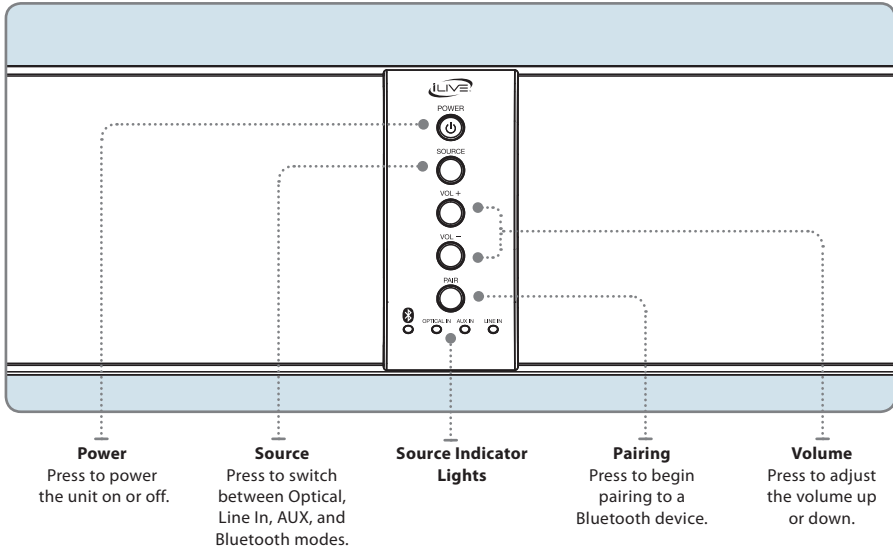
STATUS	INDICATOR
Power Off	No Light
Line In Mode	Green Light
Optical Mode	Amber Light
Aux In Mode	White Light
Bluetooth Pairing	Flashing Blue Light
Bluetooth Connected	Blue Light

Orientation

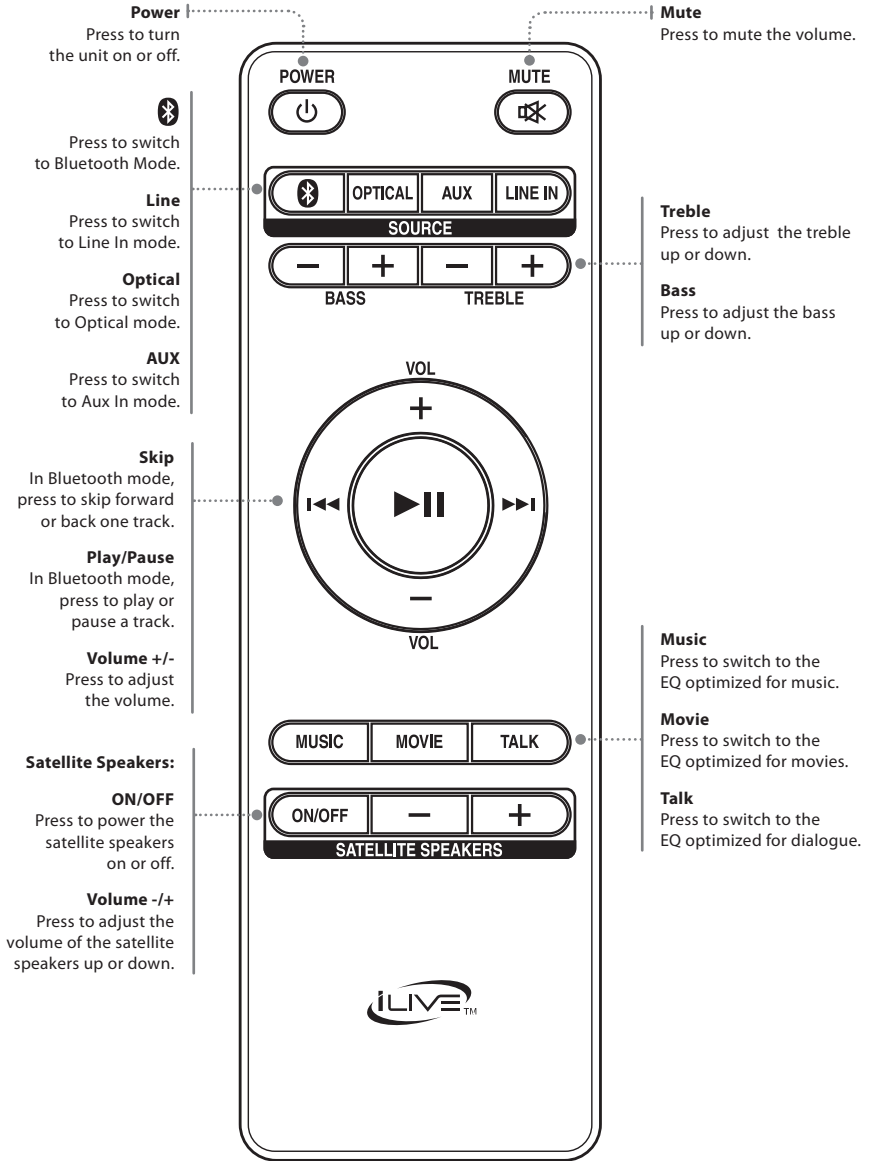
Speaker Inputs (Rear)



Speaker Controls (Front)



Remote Layout



Audio Inputs

Using the Stereo RCA Inputs

When connecting two products using an RCA cable, match the colored ports with the same colored connection.

1. Connect the RCA cables to the RCA Stereo Inputs located on the back of the unit, and to the audio outputs on the television.
2. Press the **Power** button to power on the unit.
3. Press the **Source** button to select **AUX In**, indicated by a white light.
4. Audio played through the television will now be heard through the speakers.

Using the Stereo RCA Inputs and the Subwoofer Output Together

The unit can be used with a detached subwoofer by using another RCA cable to connect the two.

1. With the main stereo RCA cables connected, use another RCA cable to connect an external subwoofer to the **Subwoofer Output**.
2. When audio is played through any source, the speaker will automatically use the connected subwoofer.

Using the Optical Input

You will need: An audio source with an Optical Audio Output and a Digital Optical Audio Cable (not included)

1. Connect the Digital Optical Audio Cable to the optical output on the audio source and to the Optical Input on the speaker bar.
2. Press the **Power** button to power the unit on.
3. Press the **Source** button to select **Optical In**, indicated by an amber light.
4. Using the native controls on your connected device, make sure the audio settings are set to **PCM or Optical Audio** and are turned On.
5. Audio from the connected audio source will now be played through the speakers.

IMPORTANT TIPS FOR OPTICAL AUDIO:

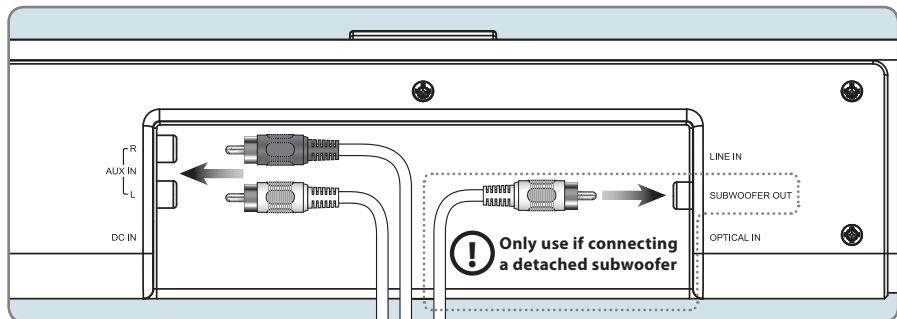
- Use the correct toslink cable and make sure that it is firmly seated in both source and sound bar sockets.
- Optical output is activated on the source (they should see a red light emitting from the toslink socket). It may be labeled SPDIF in the setting menu of the source.
- The optical output is set to output PCM and not Dolby Digital.

Using the Line In

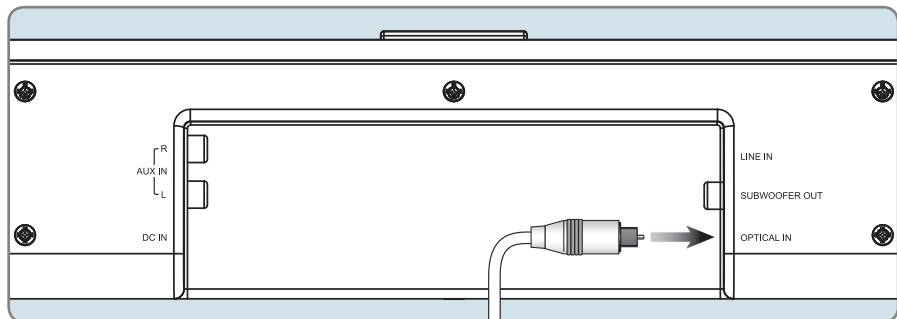
3.5 mm audio input cable not included.

1. Plug one end of a 3.5 mm audio input cable into the **Line In** on the unit. and plug the other end of the cable into the audio output/headphone output on an MP3 Player or other audio source.
2. Press the **Power** button to power the unit on.
3. Press the **Source** button to select **Line In**, indicated by a green light.
4. Audio played through the connected device will now be heard through the speakers. Use the controls on the connected device to play, pause, or skip selected tracks.

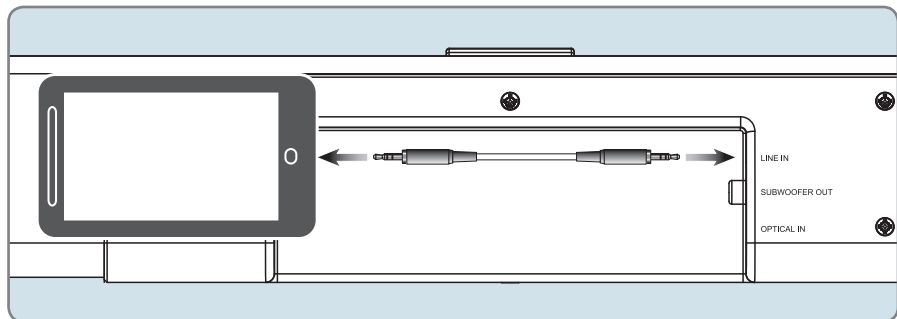
Using the Stereo RCA Inputs - Rear View



Using the Optical Input - Rear View




Using the Line In - Side View



Bluetooth

Pairing a Bluetooth Device for the First Time

1. Power on the unit by pressing the **Power** button.
2. Press the  button on the remote to switch to Bluetooth Mode, indicated by a slowly flashing blue light.
3. Press the **Pair** button on the unit.
The pairing indicator will flash blue quickly. When pairing, remain within 3 feet of the unit.
4. Using the native controls on your Bluetooth device, select the **ITB474** in your Bluetooth settings to pair. If your device requests a password, enter the default password **0 0 0 0**.
Refer to the user's manual for your specific device for instructions on pairing and connecting Bluetooth devices.
5. When successfully paired and connected, a beep will issue from the unit and the **Pairing Indicator** will display a solid blue light.

After initial pairing, the unit will stay paired unless unpaired manually by the user or erased due to a reset of the device. If your device should become unpaired or you find it is unable to connect, repeat the above steps.

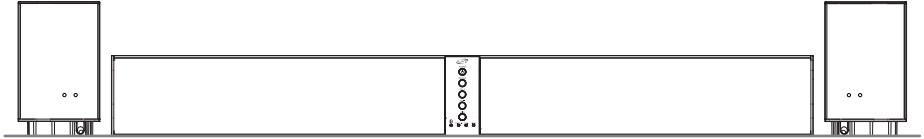
Playing Audio Wirelessly

1. After pairing to a bluetooth device, use the native controls on the connected Bluetooth Device to select a track.
2. Play, pause or skip a selected track using the native controls on the connected Bluetooth Device or the controls on the speaker's remote.
3. Audio played through the connected Bluetooth device will now be heard through the speakers.

The Satellite Speakers

The Satellite Speakers

This unit is equipped with two detachable speakers that may be used to create a surround sound effect and lend an extra dimension to your listening experience. From the remote control, the speakers can be powered on or off, and change their volume independently of the main speaker. The satellite speakers can wirelessly play music or sound anywhere in a 33 ft area of the main unit.



Satellite Speaker Indicator Lights

STATUS	INDICATOR
Paired to Main Speaker	Solid Green Light
Pairing to Main Speaker	Quickly Flashing Green Light
Battery Low	Flashing Red Light
Battery Charging	Solid Red Light
Battery Charged	No Light

Powering On the Satellite Speakers

The satellite speakers must first be powered on manually by turning the **Power Switch** on the speakers to **On** (see diagram on next page). They should already be wirelessly connected to the main speaker and will be ready to play sound whenever you choose.

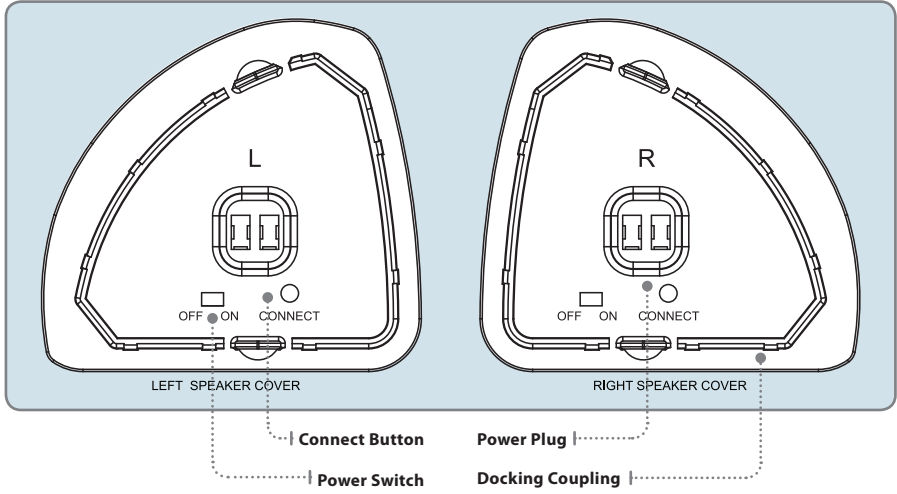
Re-Connecting the Satellite Speakers

If your satellite speakers lose their wireless connection to the main speaker unit for any reason, press and hold the **Connect** button on the satellite speaker for one second and release, then perform the same operation on the main speaker unit (see diagram on the next page). The green indicator light on the front of the satellite speaker will blink quickly, then become solid as the connection is re-established.

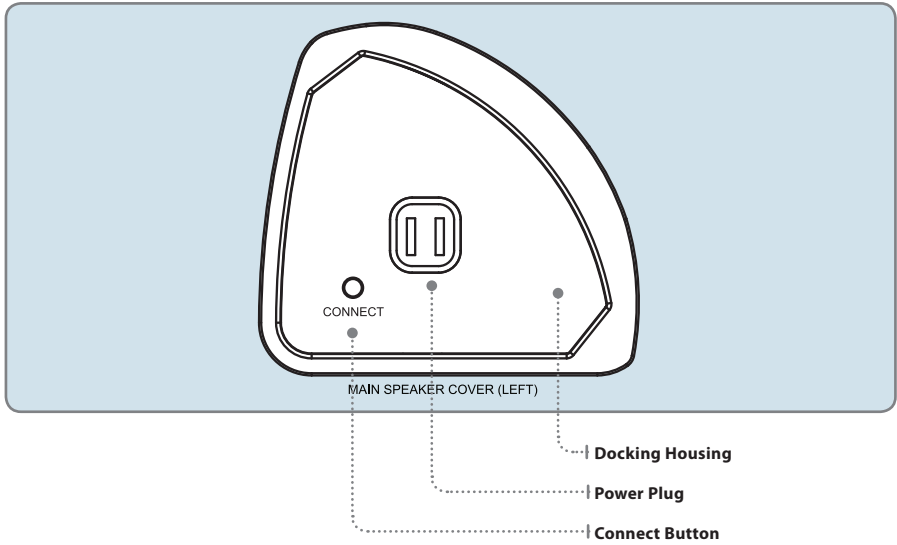
Charging the Satellite Speakers

The satellite speakers are powered by internal lithium batteries and must be recharged after extended periods of use. To charge the satellite speakers, simply dock them with the main speaker unit. A red light on the front of the speakers will indicate the speaker is charging. The initial charge time for the speakers is 6 hours.

Satellite Speakers (Left/Right)



Main Speaker Dock (Left)



Company Information

Contact Information

Website: www.iLiveElectronics.com
Email Support: prodinfo@dpiinc.com
Email Parts: partsinfo@dpiinc.com
Phone Support: 1-888-999-4215

Warranty

For Warranty Information and the most up-to-date version of this User's Guide, go to:
www.iLiveElectronics.com

International Support

To download this User's Guide in English, Spanish, and French, or to get answers to frequently asked questions, visit the support section at: www.iLiveElectronics.com

Para descargar este Manual del Usuario en inglés, español y francés, o para obtener respuestas a preguntas frecuentes, visite la sección de apoyo en: www.iLiveElectronics.com

Pour télécharger ce guide de l'utilisateur en anglais, espagnol ou français, ou pour obtenir des réponses à des questions fréquemment posées, consultez la rubrique d'assistance sur: www.iLiveElectronics.com

Green Initiative

Our Environmental Commitment to "Protect for Today and Sustain for Tomorrow". On a continual basis DPI, Inc. is making efforts to sustain the environment and improve the recyclability of its products and packaging.

Focusing on "protecting for today and sustaining for tomorrow" DPI, Inc. has committed to reducing packaging size, increasing the usage of recyclable plastics, and ensuring that packaging and manuals are made with up to 85% recycled material. In addition to material consideration, DPI, Inc. has also focused on the finer details that positively impact the environment such as employing the usage of soy-based inks.

DPI, Inc. also ensures that the factories that produce the company's wide variety of consumer electronics adhere to environmentally friendly air and water restrictions. This is yet another example that every step of the way DPI, Inc. is making efforts to lessen any impact on the environment.

In 2011 DPI, Inc. also began conversations with Energy Star in order to ensure that the consumer electronics being produced meet high standards of energy efficiency. The ultimate goal is keeping energy costs for consumers low while providing quality, feature-rich products.

