

artis
SPA SERIES

UTILITY SINK, FAUCET AND CABINET

Installation Guide and User Manual

Model: 80TH112WHI



ATTENTION

Your installation must comply with all local plumbing codes.
Have a qualified tradesman do or approve your plumbing installation.
Always wear safety goggles and gloves in order to avoid any personal injuries.

IMPORTANT

CAREFULLY CHECK THE UNIT PRIOR TO INSTALLATION TO ENSURE THERE IS NO DAMAGE. DO NOT DISPOSE OF ANY PACKAGING UNTIL YOU ARE SATISFIED WITH THIS PRODUCT.

IF YOU HAVE ANY PROBLEMS WITH THIS PRODUCT OR THERE ARE MISSING OR DAMAGED PARTS, PLEASE CALL TOLL FREE 1-800-459-4409 (MONDAY-FRIDAY, 8:30 AM-5:00 PM EST).

DO NOT RETURN THE UNIT TO THE PLACE OF PURCHASE BEFORE CALLING THE TOLL FREE NUMBER ABOVE.

BEFORE YOU START

1. Inspect your unit before proceeding. Check surface for any flaws or damage. Once you unpack your unit check for dents, bends, bumps or scuff marks. If any damage is noticed, do not install. Report damage immediately.
2. Please read all the instructions carefully and keep for future reference.

Your installation must comply with all local plumbing building codes. Have a qualified tradesman do or approve your plumbing installation.

WARNING: ALWAYS WEAR SAFETY GOGGLES AND GLOVES IN ORDER TO AVOID ANY PERSONAL INJURIES.

CONTENTS

- Utility sink x 1 pc
- Cabinet x 1 pc
- Strainer x 1 pc
- Faucet assembly x 1 pc
- Sprayer with hose x 1 pc
- Door knobs x 2 pcs
- Leveling legs x 4 pcs
- Screws x 16 pcs

TOOLS REQUIRED

- Phillips screwdriver
- Adjustable wrench
- Pliers
- Pipe wrench
- Plumbers putty / sealant
- Hacksaw
- Utility knife
- Carpenters level

INSTALLATION INSTRUCTIONS

The user or a licensed plumber must install the faucet, strainer, drain assembly, P-trap (not included), leveling legs, door handles and apply sealant to secure the basin to the cabinet.

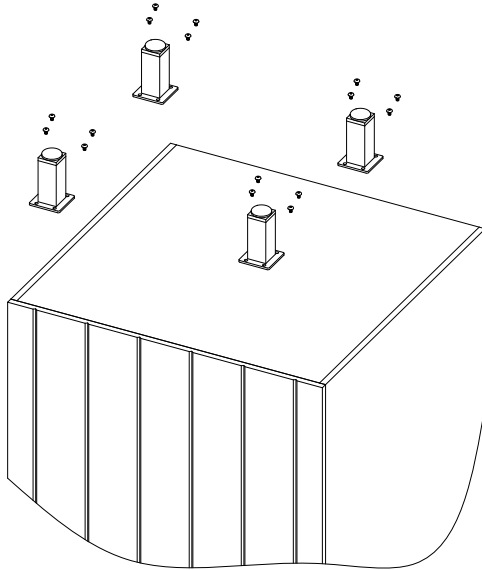
BEFORE YOU START

1. Remove all items from the packaging and check all parts are present.
2. Remove the protective foam wrapping from the acrylic basin and the cabinet.
3. Place the basin on a soft protective surface.

NOTE: It is recommended that the faucet, sprayer and strainer be assembled prior to placing the basin on the cabinet.

INSTALL LEVELING LEGS

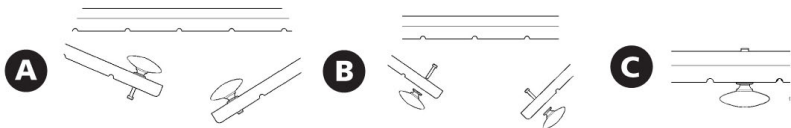
1. Place cardboard or a towel on the floor and gently turn the unit on its side to install the leveling legs.
2. On the bottom of the cabinet, you will see four locations for the legs.
3. Gently put each leg onto the right location. Using four screws per leg, attach legs to the bottom of the cabinet.
4. Gently right the cabinet. **CAUTION: DO NOT PLACE SIDE LOAD ON THE LEVELING LEGS WHEN RIGHTING THE CABINET AS THEY MAY BREAK.**
5. Using a carpenters level, turn the base of each leg until the cabinet is completely level front to back and left to right.



Illustrations may vary from actual product

ATTACH DOOR HANDLES

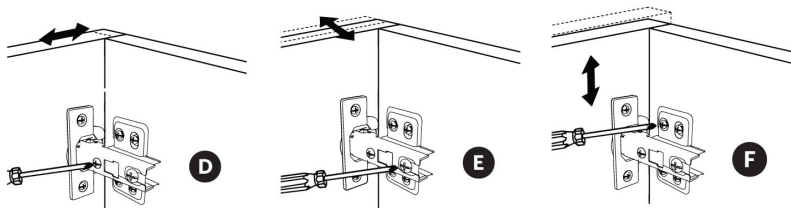
1. The cabinet ships with the door knobs attached to the inside of the doors **A**. Remove the two short mounting screws with a Phillips screwdriver to separate the door knobs from the doors.
2. Place the door knobs on the door fronts **B** and tighten short mounting screws **C**.



ADJUST DOOR POSITION

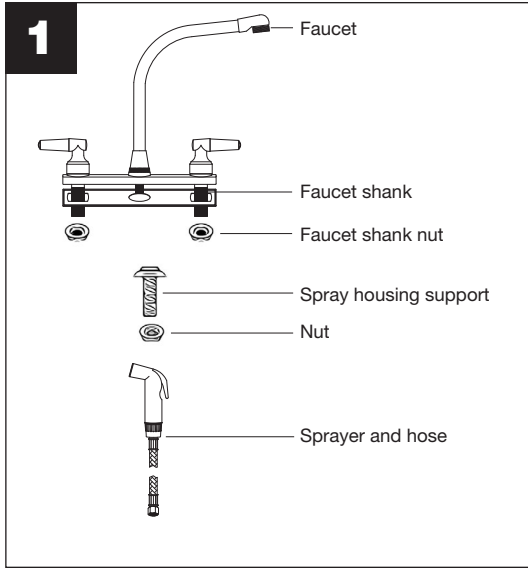
If the doors need to be repositioned, the hinges can be adjusted to ensure a precise fit with the cabinet.

- D** Lateral adjustment screw – adjusts the door left or right
- E** Horizontal adjustment screw – adjusts the door forward or backward
- F** Vertical adjustment screw – adjusts the door up or down

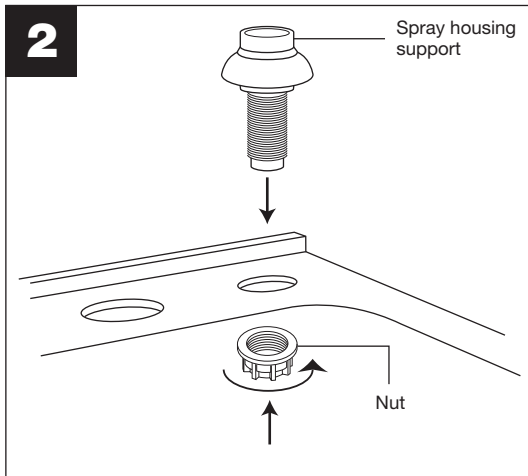


FAUCET AND SPRAYER INSTALLATION

Before installing faucet and sprayer, carefully unpack the faucet and ensure no parts are missing (figure 1).



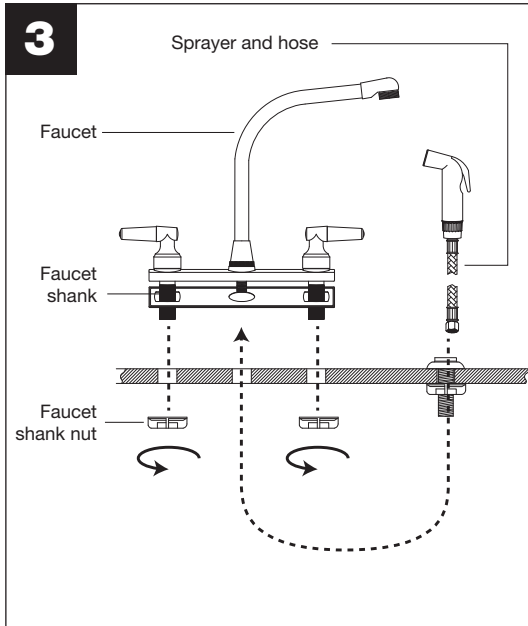
Insert spray housing support through the pre-drilled hole on the sink



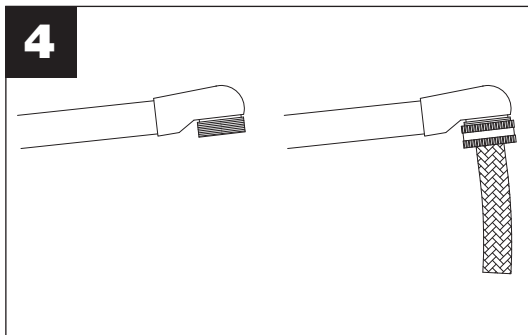
corner. Screw nut onto threads and hand tighten (figure 2).

Run spray hose down through the spray housing and up through the centre faucet mounting hole. Connect spray hose to faucet and tighten with a wrench (figure 3).

Install new faucet on sink with hot "H" to the left and cold "C" to the right. From under the sink, thread mounting nuts onto faucet shanks and tighten mounting nuts (figure 3).

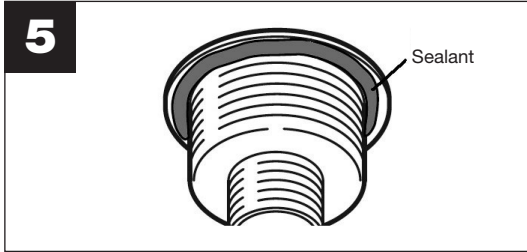


The aerator is threaded on the outside to allow the attachment of a hose, which is not included (figure 4).

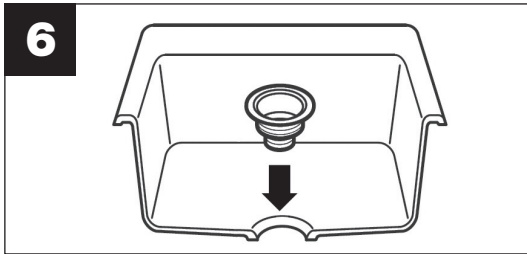


STRAINER INSTALLATION

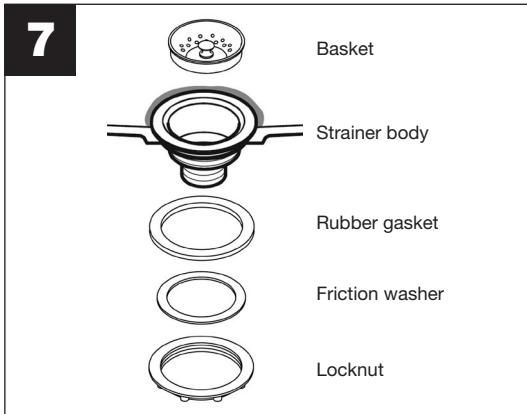
Apply a sealing ring of plumber's putty to the underside of strainer flange (figure 5).



Insert the strainer body in the sink (figure 6).



Assemble the rubber gasket, friction washer and locknut onto the strainer body from under the sink (figure 7).



Hand tighten locknut. Do not over tighten locknut as it may split or deform the body of the strainer.

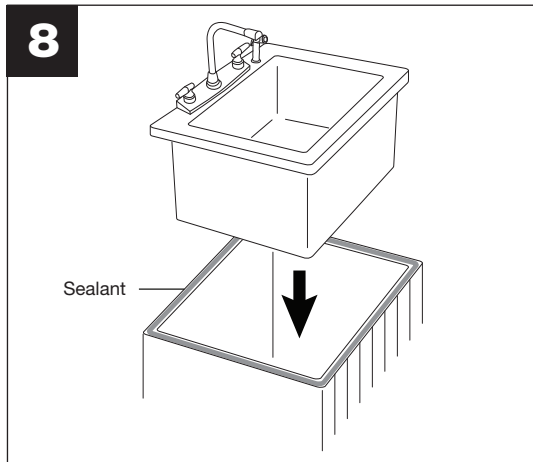
BASIN INSTALLATION

Carefully place a bead of sealant all around the top of the cabinet.

Ease the sink onto the cabinet, and ensure it is placed evenly and centered on the cabinet.

Wipe off any excess sealant.

Use masking tape to hold the basin in place until the sealant dries (figure 8).



PLACEMENT

Move the assembled unit to the final location. If required, level the unit by adjusting the 4 leveling legs and ensure no rocking is exhibited.

SUPPLY LINE ASSEMBLY

The supply lines that attach the faucet to the household water system, are not supplied with this unit. They need to be purchased separately. Follow the supply line manufacturers instructions for proper installation.

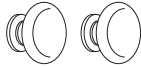
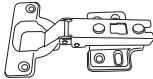







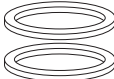

CLEANING AND MAINTENANCE

To maintain the smooth, high gloss surface of your utility sink, follow these tips:

- Use common household cleaners (non-abrasive) or a mild liquid dish washing detergent. Rinse well and dry with a clean cloth.
- Do not allow your acrylic surface to come into contact with products such as acetone (nail polish remover), nail polish, dry cleaning solution, lacquer thinners, gasoline, pine oil, etc.
- Remove dust and dry dirt with a soft, damp cloth.
- Clean grease, oil, paint and ink stains with isopropyl (rubbing alcohol). Immediately rinse with water after removal of stain.
- Avoid using razor blades or other sharp instruments that may fall and scratch the surface.

REPLACEMENT PARTS

If you are missing or require replacement parts, please call customer service at 1-800-459-4409 (Monday–Friday, 8:30 am–5:00 pm EST). Identify the required part(s) and have the replacement part number ready when you call.

| Part Description | Part Number | |
|---------------------------|-------------|---|
| Door knob | DOCP001 |  |
| Hinge | DOCP002 |  |
| Faucet shank nut | THsam001 |  |
| Spray housing support kit | THsam002 |  |
| Sprayer | THsam003 |  |
| Sprayer hose | THsam004 |  |
| Faucet handle | THsam005 |  |
| Faucet cartridge | THsam006 |  |
| Threaded aerator | THsam007 |  |
| Strainer assembly kit | LB9100 |  |
| Strainer basket | LB9100 |  |

Your utility sink is warranted to the original purchaser to be free of defects in material and workmanship for one (1) year from the date of purchase. This warranty does not extend to commercial or institutional use or installation.

Any failure of the unit that is not traceable to a defect in material or workmanship is not covered by this warranty. These non-warrantable items include, but are not limited to:

- Change in colour or finish due to chemical usage.
- The use of steel wool on surface.
- Unit not properly installed in accordance with manufacturers instructions.
- Damage caused during shipping, handling or installation (eg. dents, bumps, scratches).
- Care and maintenance guidelines not being followed.
- Any alterations to the unit.
- Damage to the unit as a result of accidental impact, fire, flood, freezing, normal wear.
- Bends and warpage caused by forced connections, over-tightened fittings, inadequate support.

Quality Craft will not be held liable for any freight damage or damage caused by leaks due to freight damage. Inspection prior to installation is the responsibility of the installer, contractor or user. Quality Craft will not be liable for failures or damage that could have been discovered or avoided by proper inspection and testing. Quality Craft will not be held liable for damages resulting from the improper fit or installation of products not supplied by this company.

Quality Craft will not be held liable for loss of use of unit, inconvenience, costs incurred for labour, materials, removal and installation of replacement units or any other incidental or consequential damages. Costs relating to obtaining access for repair or replacement are the responsibility of the user. Under no circumstance shall Quality Craft or any of its representatives be held liable for injury to any person or damage to any property.

Quality Craft obligations shall be limited to the repair or replacement of a unit (at our option) that may prove, by our sole examination, to be defective under normal use and service during the warranty period. The company may issue credit in the amount of the invoice value of the defective product (or a percentage of it according to use) in lieu of repair or replacement.

Quality Craft warranty is non-transferable and shall be voided if the unit is removed from its initial installation or if it is not installed following the manufacturer's specifications. This warranty shall not apply to

any product that has been subject to accident, alteration, misuse, or abnormal chemical conditions. This warranty is made in lieu of all other warranties expressed or implied. No other warranty, expressed or implied, is assumed or will be assumed.

If a claimable defect occurs, please fill out a claim form through our website at: www.qualitycraft.com or contact our customer service department at 1-800-459-4409 (Monday–Friday, 8:30 am–5:00 pm EST).

Before you make your claim call, please make sure you have:

1. The model number of your product
2. Proof of sale
3. Details regarding the defect
4. Name and address of the owner and installer

Claims must be filled out in writing and returned within six (6) months of appearance of defect. Failure to comply with this stipulation will make the warranty null and void. We reserve the right to a thirty-day (30) delay following receipt of claim in which to inspect the product. We assume no responsibility for labor costs or removing/replacing a previously installed product or transportation or return of a product.

Imported by
Laval, Quebec,
Canada H7S 2G7
www.qualitycraft.com

Made in China