

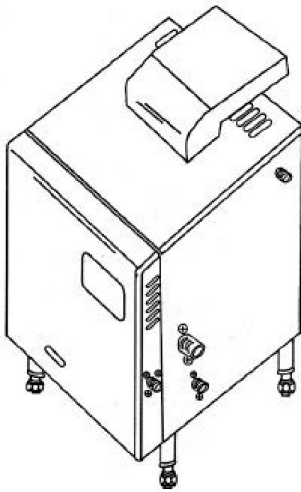
SJM GAS BOOSTER

USER'S MANUAL

SJM-810G

SJM-830G

SJM-850G



CONTENTS

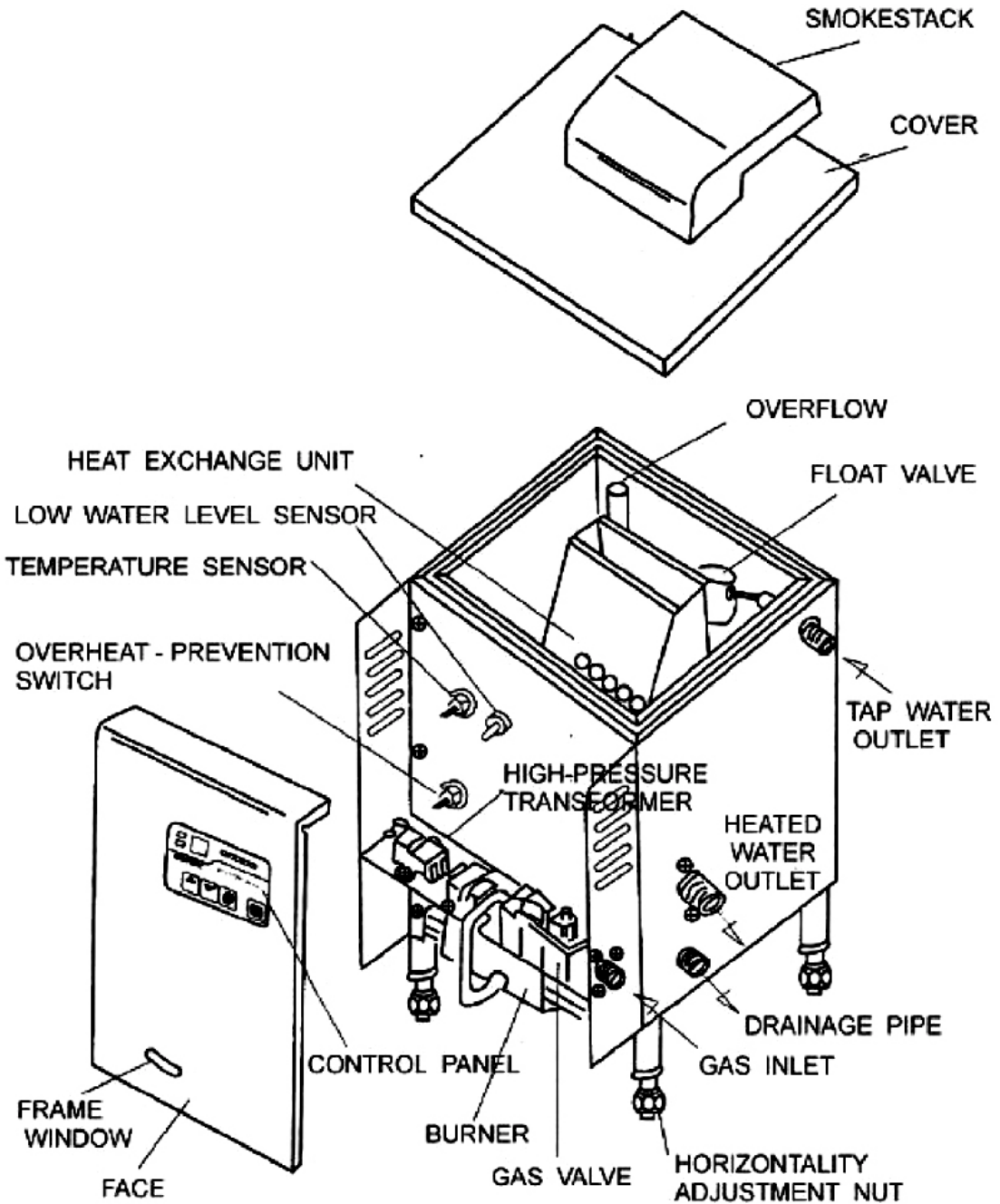
NOMENCLATURES & FUNCTIONS	2
SPECIFICATIONS	3
CONTROL PANEL	4
INSTALLATION	5
INSTRUCTIONS	7
PROBLEM GUIDE	8

Please make sure to read this manual before usage and keep it handy for necessary information.

MANUFACTURER SPECIALIZED IN DISH-WASHING MACHINE

SHIN JIN MASTER CO., LTD

NOMENCLATURES OF EACH ELEMENT



SPECIFICATION

ITEM NAME		GAS BOOSTER		
MODEL NAME		810G	830G	850G
DIMENSIONS (W x D x H)(m/m)		300 x 570 x 675	410 x 570 x 675	530 x 590 x 675
WEIGHT		25Kg	28Kg	36Kg
POWER SOURCE		240V 50Hz		
IGNITION TYPE		Continuous Discharge Auto-Ianition Type		
GAS CONSUMPTION		LNG 16,000 Kcal /H LPG 1.33 Kg / H	LNG 24,400 Kcal /H LPG 2.03 Kg / H	LNG 37,000 Kcal /H LPG 3.0 Kg / H
ELECTRICITY CONSUMPTION		28 W		
TANK CAPABILITY OF HEATED WATER		30 L (AVAILABLE 12 L)	45 L (AVAILABLE 18 L)	48 L (AVAILABLE 20 L)
EXHAUSTION TYPE		NATURAL EXHAUSTION		
WATER PRESSURE USED		ATMOSPHERIC PRESSURE		
USAGE		FOR COMMERCIAL DISH WASHER		
PIPING	WATER SUPPLY	15A (1/2")	15A (1/2")	15A (1/2")
	HEATED WATER OUTLET	20A (3/4")	25A (1")	25A (1")
	GAS SUPPLY	15A (1/2")	15A (1/2")	15A (1/2")
SAFETY DEVICE		OVERHEAT PREVENTION LOW WATER-LEVEL FLAME-DETECTING SELF-DIAGNOSIS		

CONTROL PANEL

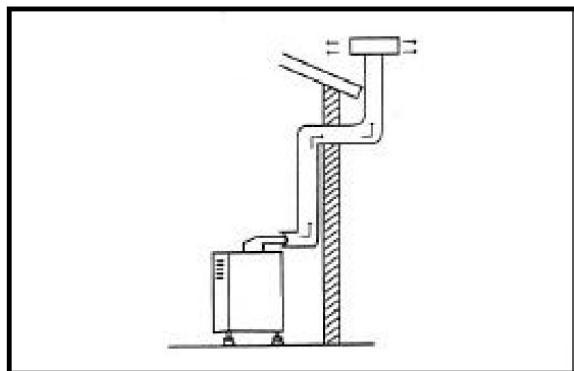


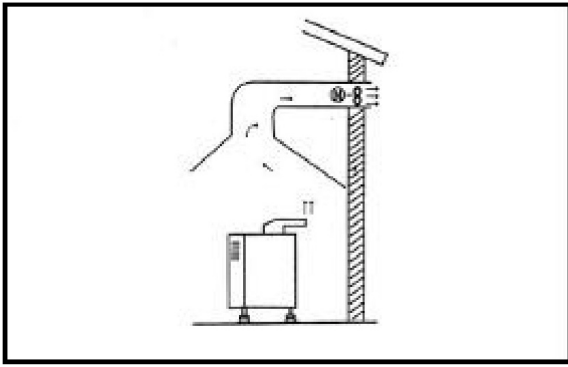
1. DIGITAL THERMOMETER : Display temperature of water inside booster.
2. WORK LAMP : Comes on when displaying the temperature of heated water.
3. TEMP. LAMP : Comes on when selecting water temperature.
4. BURNING LAMP : Comes on while the burner is being operated.
5. ERROR LAMP : Comes on in case of any trouble while the washer is running.
6. LOW WATER LEVEL LAMP : Comes on when the water level inside the booster is lower than the low water level sensor. (in case of water suspension or shortage)

7. POWER LAMP : Remain on while the power switch is on.
8. TEMPERATURE CONTROL SWITCH :
- Pressing this switch once will increase the water temperature by 1, keeping pressing it will increase the water temperature continuously.
- Pressing this switch once will decrease the water temperature by 1, keeping pressing it will increase the water temperature continuously.
9. RESET SWITCH : In case of any trouble, fix the trouble and press the RESET switch to continue the washing process.
10. POWER SWITCH : Turns power ON/OFF

INSTALLATION

1. You must set up the booster where the air circulation is good and the exhaust gas can easily be let out of your building.
2. Set this product horizontal to the ground.
3. As for gas piping, have a licensed gas office or gas piping office do it for you.
4. Make sure to build an exhaust duct to let the exhaust out of your building.





If you are using an exhaust hood instead of a duct, make sure the gas is blown out through the hood.

5. Use PF1/2"(15A)'s for water supply piping.
6. Use PF3/4"(20A)'s warm water exit. Make it as short as possible, to minimize heat loss.
7. This product may accidentally cause an overflow. Make sure to place it where drainage is possible. (Drains to the floor)
8. Clean the inside of gas booster regularly.
9. Make sure to place where no flammable material is present. Also do not place anything on top of the machine.
10. Good air circulation is needed near the bottom of the gas booster, to provide enough air for combustion. Do not block with any object.

INSTALLATION

BEFORE USAGE

1. Make sure you are using the correct gas.
When delivered, the gas product has a sticker indicating the proper Gas to be used on the bottom right corner. Check before usage.
2. Make sure there is no gas leak.
Conduct a foam water test.
3. Make sure you have the correct power.
The product is designed to use 240V, 50Hz only.
4. Make sure you have built an exhaust duct or hood to let the gas out of your building.

USAGE INSTRUCTIONS

1. Plug the power to an electric outlet.
2. Open up the mid gas valve.
3. Open up water supply valve.
4. Press the power switch.
5. Select a temperature. When first delivered, the temperature is set at 85°. The washer runs automatically according to the selected temperature.
6. If you want to stop running, simply turn the power switch off and shut off the mid gas valve.
Make sure the exhaust gas is released outside your building and constantly let air in the room the machine is in.
For this is an electronic product, do not clean it with water.

PROBLEM GUIDE

DISPLAY	PROBLEM	GUIDE
E1 E4	Overheat prevention device under operation (Error & Over Heated lamps comes on)	Check for a breakdown of the sensor Eliminate the cause of overheating and press the continue switch
E2	Water thermometer short-circuit (Error lamp comes on)	Check for a short-circuit in the thermometer Check for a terminal break away
E3	Low water level sensor has detected a trouble (Trouble/Low water level lamp come on)	Check the water supply status Check the normality of the sensor Check for alien substances around the surface of the low water level sensor, and remove any alien substance, if present
E5	When a gas without flame is detected A flow in flame sensor (Error lamp comes on)	Check the combustion status Check for a gas leak Check the stability of the flame sensor Check for any alien substance around the external surface of the sensor Check for any damages or terminal break down Check the operating status of the gas valve
E6	Initial no ignition (Error lamp comes on)	Check the gas supply status and gas drum Check the operating status of high pressure transformer Check the operating status of gas valve
E7	Loss of flame during operation (Error lamp comes on)	Check the gas supply status and gas drum Check the stability of flame sensor
OTHERS(1)	Can't adjust Temperature	If up /down switch don't let you change the temperature, check the sensor and joints (But the temperature does not go up any higher than 92° , so keep that in mind)
OTHERS(2)	Can't continue Running	Check the status of display lamps Press the Reset switch while any lamp other than the Error lamp is on. If the Error lamp turns off and the machine continues to run, it is normal otherwise replace the controller.
OTHERS(3)	Trouble in water supply Valve	Remove any alien substance, if present. If water is filled inside the water supply valve. Disassemble it and drain the water

AFTER SERVICE

1. In case, a trouble occurs during usage of our gas booster, check it according to the Problem Guide. If this does not help, contact our dealers or us for an A/S.
2. In order to achieve the best after-sale quality, for warranted repairs, the repair itself as well as the parts requisite will be free of charge, whereas for onerous repairs, the actual technical expenses & prime costs will be charged.

Warranted Repair

Any breakdown that occurs within 12months after purchase.

Any breakdown that occurs under standard usage.

Onerous Repair

After the first 12months

Any breakdown occurred due to the carelessness of the user.

Any breakdown due to a natural disaster

SJM CHINA CO., LTD.

China Office

Room 202, Mei Lian Building, 569 # Yu Yao Road,

Jing An District, Shanghai, P.R. China.

TEL : 86-21-62320103-06

FAX : 86-21-62320102