



Solutions for Demanding Applications

VARTECH
SYSTEMS INC.

User Manual



VT260 series - 26.0" LCD monitors

VARTECH SYSTEMS INC.

11529 Sun Belt Ct.
Baton Rouge, Louisiana 70809
Toll-Free: 800.223.8050
International Phone:
001.225.298.0300
Fax: 225.297.2440
E-mail: sales@vartechsystems.com

www.vartechsystems.com

Contents

Important Safety Instructions	2
Safety Precautions	2
Installation (when install the monitor, please follow the instruction on the manual)	3
Use	4
Clean	5
Warning For Use	5
On using	5
Exemptions	5
Features	6
Package Contents	6
Unpacking	6
Installation	9
Power Input	9
Power Interface	9
Connection	10
Single Source Input	10
Operating The Monitor	12
The Side Controller Of The Monitor	12
The Remote Control (RCU) Instructions	13
Display Mode	15
OSD (On Screen Display) Menu Function	17
OSD Operating	19
Default Setting	22
Supported Timing	23
Specification	24
Troubleshooting	25
Compliance	25
Appendix	26

※ Please read this user's manual cautiously and completely before operating this monitor.

Important Safety Instructions

Before using the monitor, please read this user's manual thoroughly to help protect against damage your own and other people's property your property from potential damage and ensure your own and other people personal safety.

- ◆ Be sure to observe the following instructions with understanding meaning below.
- ◆ For your safety, be sure to observe the warning in this manual.
- ◆ The installation or adjustment, please follow this manual instructions or refer to all servicing to qualified service personnel.

Safety Precautions

If smoke or peculiar smells comes from the monitor, remove the power plug from the outlet immediately.

If the monitor is still used in this condition, it may cause a fire or an electrical shock.

Make sure that the smoke or smell has stopped, then contact your dealer for inspection.

If there isn't picture, remove the power plug from the outlet immediately.

If the monitor is still used in this condition, it may cause a fire or an electrical shock.

Contact your dealer for inspection.

If water is spilled or objects are dropped into the monitor, remove the power plug from the outlet immediately.

If the monitor is still used in this condition, it may cause a fire or an electrical shock.

Contact your dealer for inspection.

If the monitor is dropped or the cabinet is damaged, remove the power plug from the outlet immediately.

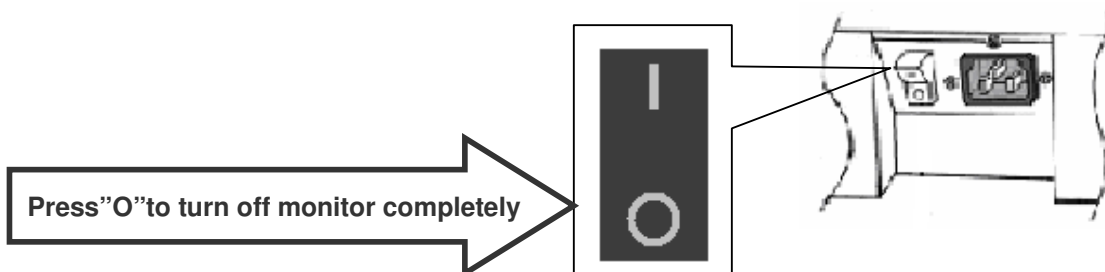
If the monitor is still used in this condition, it may cause a fire or an electrical shock.

Contact your dealer for inspection.

Turn off the power of the monitor, press "O" on the main power switch at back cover.

The power standby/on indicator goes off and the set cannot be turned on/ off by using the POWER button on the remote control. (To turn on/off the monitor by the remote control, press the main power switch again and light the power standby/on indicator.)

- ◆ When turning off the monitor by pressing the POWER button on the remote control, the main power of the monitor is not turned off completely.
- ◆ To disconnect the monitor completely from power supply, remove the power plug from the outlet.



If the power cord or plug is damaged or becomes hot, turn off the main power switch of the monitor, make sure the power plug has cooled down and remove the power plug from the outlet.

If the monitor is still used in this condition, it may cause a fire or an electrical shock. Contact your dealer for replacement.

Installation (when install the monitor, please follow the instruction on the manual)

Don't install in the high-temperature environment.

If the monitor used in high-temperature or in direct sunlight, it may cause the case or other parts be distorted, damaged, overheating or an electric shock.

Don't install in the high-humidity environment such as a bathroom or close to a humidifier.

This may cause overheating or an electric shock.

Don't install near any heat sources such as radiators, heat registers, stoves, or other apparatus that produce heat.

This may cause a fire or an electric shock.

Don't overload outlets or cables beyond electricity capacity.

Don't use extension cords, it may cause a fire or an electric shock.

Don't insert the power plug into an outlet other than 100~240V AC.

This may cause a fire or an electric shock.

- ◆ Don't use a damaged power plug or worn outlet.
- ◆ Don't insert the improper power plug, it may cause a fire and an electric shock.

Don't place the monitor on an unstable shelf or desk, such as a shaky table.

The monitor may fall down and cause injury damage. Please install on a horizontal, stable surface.

Don't place objects on the monitor.

- ◆ If the monitor is covered under the newspaper, tablecloth or curtain, the monitor vent could be clogged, and it may make the monitor overheating and cause the fire.
- ◆ If metal or liquid (putting the vase, glass or the cosmetics) get into the monitor, it may cause a fire or an electrical shock.
- ◆ If you put the heavy object on the monitor, it may fall down and cause the injury
- ◆ Please keep 10cm minimum distance between the monitor and the wall for sufficient ventilation.

Don't move the monitor when it's connecting power cord and cables.

- ◆ When moving the monitor, make sure to take off the power plug and cables from the outlet or sync source. If not, a fire or an electric shock may occur. If the power plug is damaged, injury may result from the monitor falling down.
- ◆ When unpacking or carrying the monitor, at least 2 people are needed. Make sure the monitor is upright.
- ◆ When moving or putting the monitor, avoiding to face the monitor up or down.
- ◆ Handle the monitor so as not to jolt the monitor.

Use

When getting problem at installation, please contact your distributor to install for you. Don't repair or open the monitor by yourself.

It may cause a fire or an electric shock. The monitor repair, please ask your distributor.

Protect and correctly use the power cord/ plug.

- ◆ Don't heavy press the power cord/ plug, don't step on the power cord/plug.
- ◆ Connect the power cord and the monitor before insert the power plug into the wall outlet.
- ◆ Don't operate the monitor with a damaged power cord, otherwise the monitor will be damaged.

Using the extension line precautions

If using the extension line, the current power of the voltage should be equal to the power consumption of the monitor at least, if the power of the voltage is smaller than the monitor, it will cause the overheated phenomenon.

If there is thunder or lightning, don't touch the monitor or the power plug.

This may cause an electric shock.

When remove the power plug from outlet on wall, don't revolve the power cord.

This may cause the power cord damaged. When take off the power plug, please hold the plug, don't revolve.

Don't sprinkle any kind of liquid on the monitor.

- ◆ If the monitor is sprinkled by any kind of liquid, please be sure to take off the power plug and ask a qualified service personnel to check the monitor.
- ◆ If the monitor's surface is touched the water, please clean it with a dry and soft cloth immediately.
- ◆ Don't sprinkle volatile liquid on the monitor such as insecticide.
- ◆ If the liquid enter the monitor, it may cause the electrical failure.

Don't insert or take off the power plug with wet hands.

This may cause an electric shock.

If the monitor isn't in use for a long time, for safety, please take off the power plug.

This may cause breakdown, or it may cause a fire.

If the monitor isn't in use for a long time, take off the power plug and store it in the proper package. The original carton and packing should be used, if possible.

Don't compress on the monitor panel.

This may cause personnel injury or panel damage and broken-down..

Don't push or shake the monitor.

This may cause breakdown and the injury.

- ◆ If the glass of the monitor panel is broken, liquid crystals may transude. Please don't touch the liquid crystals.
- ◆ If liquid crystals get into your eyes or touch your skin, wash with the clean water and go to a doctor immediately.

Precautions for the remote control batteries.

- ◆ Please only use the specified battery type “AAA”.
- ◆ Please be sure to insert batteries by matching the + and—.
- ◆ Don't recharge, heat, disassemble, short or throw batteries into a fire.
- ◆ Don't mix a new battery with a used one.
- ◆ Don't mix different types of batteries together (only use the specified type). Or, it may cause burn and injury.

Clean

If dust has collected on the power plug, removed the plug from the outlet and clean off the dust.

The dust may cause a fire due to reduced insulation of the plug.

Take off the power plug before cleaning.

If not, it may cause an electric shock. Don't involve the power cord and the plug from the outlet.

Or, it may cause an electric shock.

Clean the surface of the monitor.

- ◆ When the surface of the monitor is polluted, please wipe the surface with the cotton or clean cloth lightly.
- ◆ If pollution is not easy to clean out, can use the cloth with 50% of the alcohol.
- ◆ Please notice carefully that not to let alcohol enter the monitor, it may cause an electrical failures.

Warning For Use

On using

- ◆ The monitor may produced overheat phenomenon during operation. Please be careful.
- ◆ In case of moving of long distance, please wrap the monitor with blanket to avoid damages. Please be careful not to bump to the monitor.
- ◆ Don't expose in the rubber or vinyl for a long time. It will damage the coating.
- ◆ Avoid keeping a static picture on this monitor, or it may cause a “burn in” image (image retention).
- ◆ “Burn in” image (image retention) is not covered under warranty.
- ◆ Make sure change the image on the monitor periodically. Ex. after working for 18 hours, turning off the monitor for 6 hours pre days.

Exemptions

- ◆ This product isn't liable for any damage by natural disaster (such as earthquake, thunder, etc), fire, acts by third parties, accidents, owner's intentional misuse and fault, or uses in other improper conditions.
- ◆ This product isn't liable for incidental damages (such as profit loss or interruption in business, modification or erasure of record data, etc.) caused by use or inability to use of this product.
- ◆ This product isn't liable for any damage cause by inappropriate operation, or not follows the user manual.
- ◆ This product isn't liable for any damage cause by misuse or malfunction through simultaneous use of this product and the connected equipment or software.
- ◆ This product isn't liable for any damage cause by neglect of the instructions described about installation.
- ◆ This product isn't liable for any damage cause by improper installation.
- ◆ This product isn't liable for any damage cause by disassembled, modified or maintained by non-authorized service center or people.

Features

High-resolution HD panel

This monitor supports 1360 x 768 WXGA format and can display true 16.7M colors, you can enjoy extreme fine picture.

MVA system less-reflection black TFT LCD panel

MVA system and Black TFT LCD panel offer bright and wide images with clear contrast. Even placed near the windows, the monitor shows bright and clear images with little reflection. The viewing angles of the monitor are as wide as 170° both horizontally and vertically, enough to enjoy clear images at any view angle.

Offer varieties of connection

<u>Video system Input:</u>		<u>RGB Input:</u>		<u>Signal delivery</u>
There are 4 choices of connection		There are 2 choices of connection		
VIDEO	RCA	RGB ANALOG	D-Sub 15pin	RS-232 in D-sub 9pin
S-VIDEO	Mini Din 4 pin	RGB DIGITAL	DVI-ID 24pin	
COMPONENT	Mini Din 8 pin			
SDi Series Digital Interface BNC(Optional)				

Other functions

- ◆ Building the light sensor inside, the monitor will adjust the brightness according to the surrounding light intensity.
- ◆ There are two brightness levels pre-set. Under the bright condition, it will adjust to the bright mode. Under the dim condition, the monitor will adjust to dim mode automatically.
- ◆ Signal source auto detection.
- ◆ PIP/ PAP function. Please see the chapter “**Display mode**”
- ◆ Zoom in/out function.

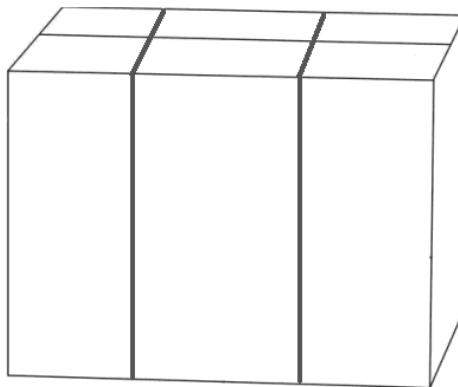
Package Contents

Unpacking

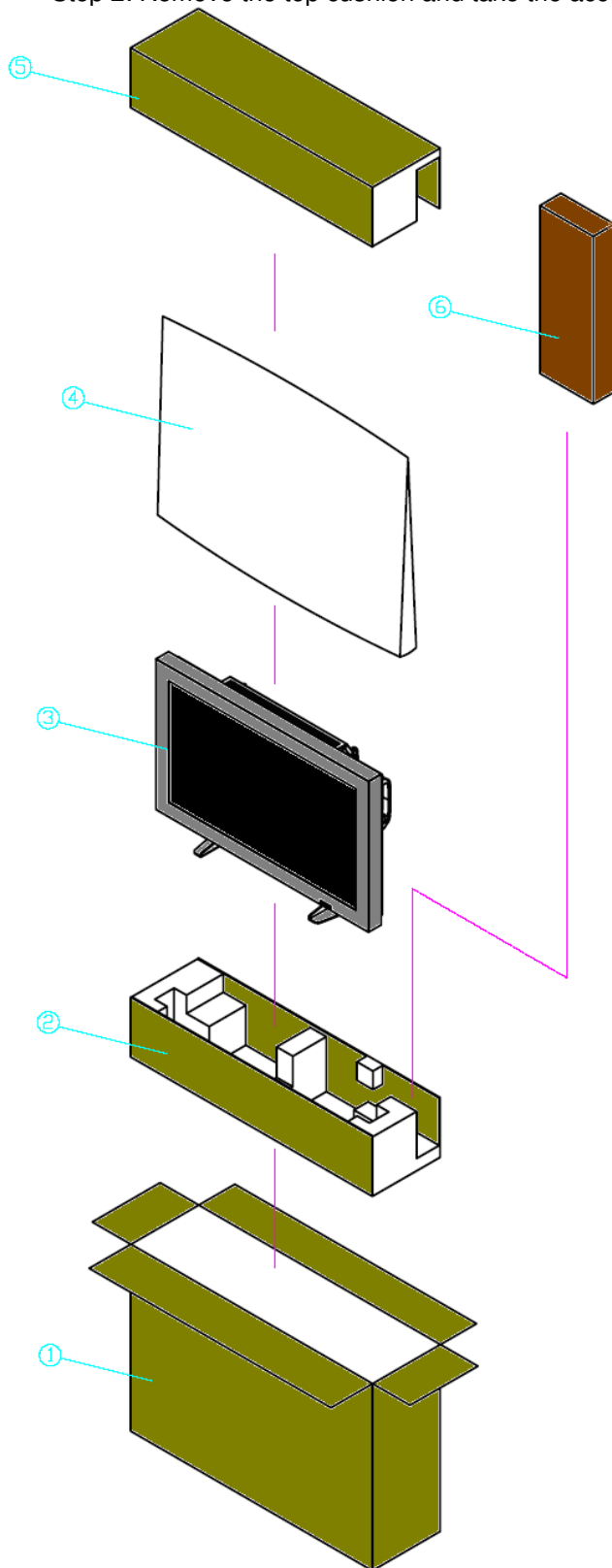
VT260 series model is packed by the carton box. During transportation, in order to protect the monitor, VT260 series model is packed by cushions to be safe package and protect.

Before unpacking your monitor, prepare a stable, level, and clean surface near a wall outlet for your monitor. Set the LCD Monitor box in an upright position and open from the top of the box before removing the top cushions.

- Step 1: Remove the bundle.



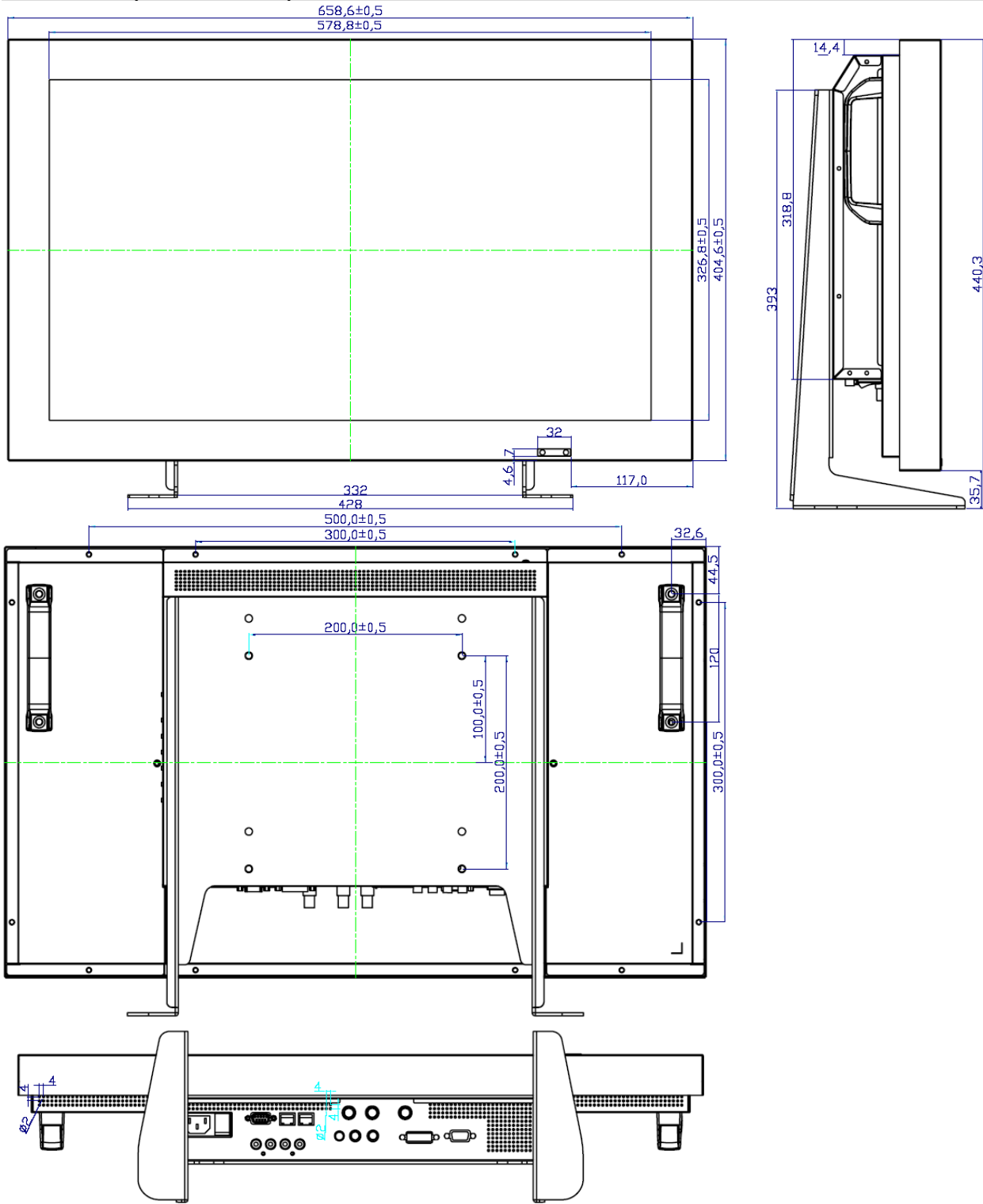
- Step 2: Remove the top cushion and take the accessories box out.



Packing list

	Item	Q'ty
1	Carton	1 pcs
2	EPE-Cushion-Bottom	1 pcs
3	VT260	1 set
4	Packing Bag	1 pcs
5	EPE-Cushion-TOP	1 pcs
6	DVI-D 24 pin cable	1 pcs
	D-SUB 15pin cable	1 pcs
	S-VIDEO Mini Din 4 pin cable	1 pcs
	Component Mini Din 8 pin cable	1 pcs
	RS232 D-sub 9pin cable (Option)	1 pcs
	Power cord	1 pcs

Dimension (Front & Back)



Installation

Environmental state

- ◆ Operating temperature : 5°C ~ 40°C (Fahrenheit : 41°F ~ 104°F)
- ◆ Humidity : max. 85%

Power Input

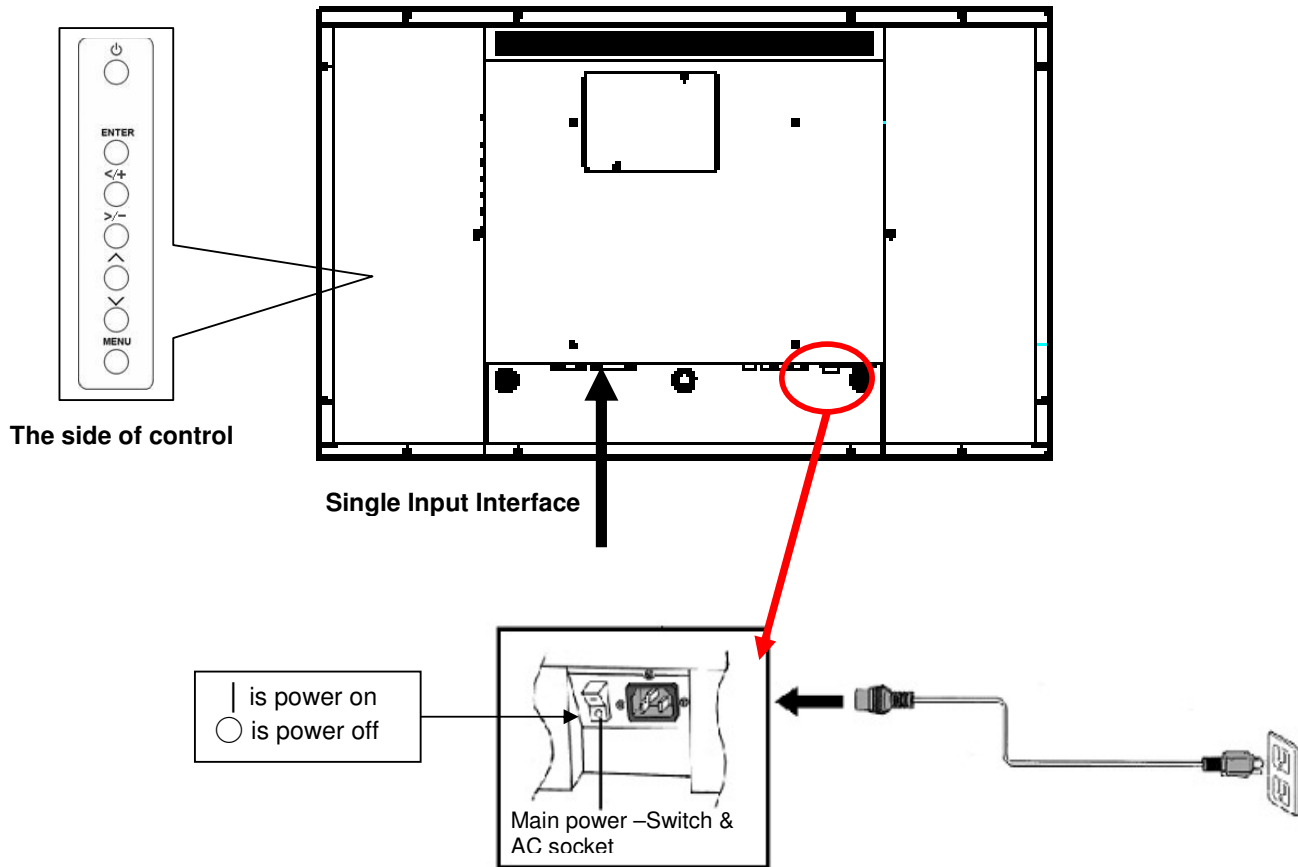
Power Cord

AC Power cord

This power cord is used to connect the side controls of the LCD monitor and the wall outlet.

Connect the power cord into main power of the monitor, and “|” is power on, “○” is power off.

Input : 100-240V~ 3A 50/60Hz



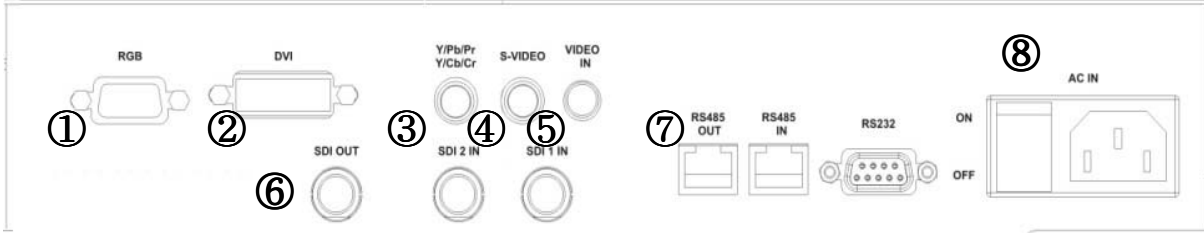
Power Interface

- ◆ Main interface- switch & AC socket. Please see the chapter “Power input ”
- ◆ The side controller of the monitor
- ◆ The remote control (RCU)

Connection

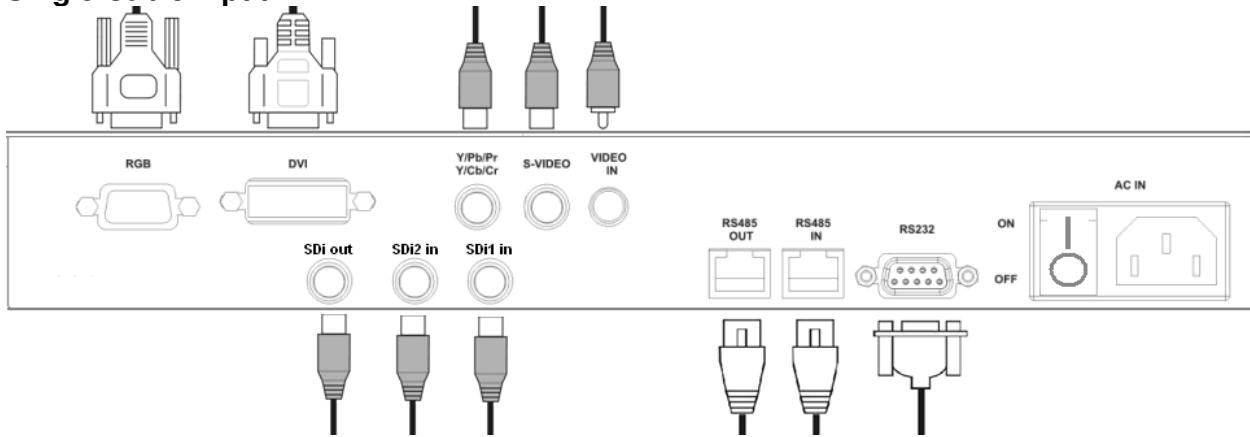
- RGB input
- DVI(DVI-D) input
- Video (RCA) input
- S-Video input
- Component Y Pb/Pr input
- SDi input (Option)
- RS-232 input

Single Source Input Input Interface



NO.	Name	Remarks
1	RGB input connector	D-Sub 15 pin
2	DVI input connector	DVI-D 24 pin
3	Y-Pb-Pr (Y-Cb-Cr) inputs	Mini Din 8 pin
4	S-video input connector	Mini Din 4 pin
5	Video-IN input connector	RCA
6	Series Digital interface SDi (option)	BNC
7	RS232C-IN RS485-IN input	RJ-45
8	AC switch & AC input	

Single Cable Input



The Video Signals Input

You can select Video input form 3 connections below:

Video signals	Connection type	Signal
Video input	RCA	NTSC/PAL
S-Video input	4 stitches	NTSC/PAL
(Y Pb/Cb Pr/Cr) input	8 stitches	NTSC/PAL
SDi output (option)	BNC	NTSC/PAL
SDi 1 input (option)	BNC	NTSC/PAL
SDi 2 input (option)	BNC	NTSC/PAL

- Suitable signal is automatically selected..

RGB inputting

You can select RGB input for 2 connections as below:

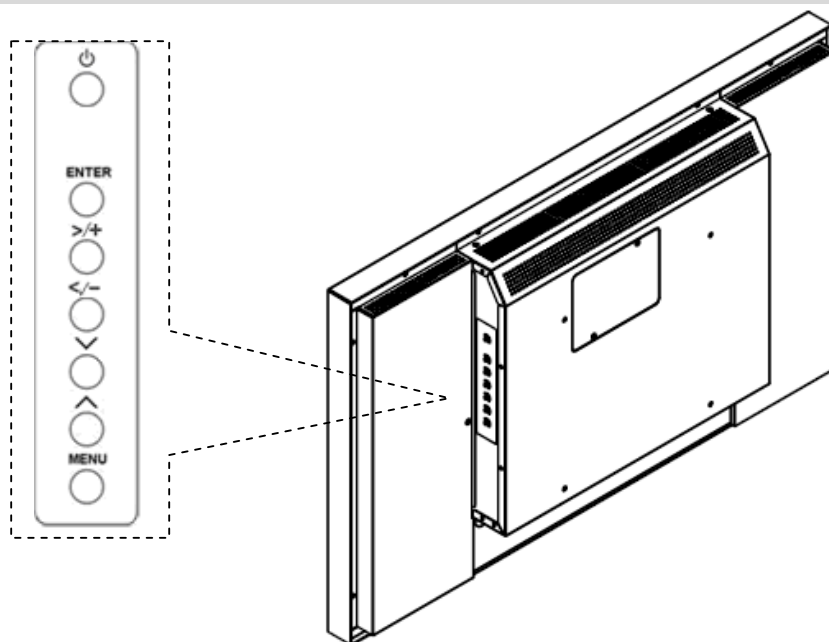
RGB signals	Connection type	Signal
RGB Analog VGA	15 pins	RGB Analog
RGB Digital DVI-D	DVI-D 24 pins	RGB Digital

Communication Input

Signal delivery	Connection type	Signal
RS-232C input	9 pin	Communication command
RS-485 input	RJ-45	Communication command
RS-485 output	RJ-45	Communication command

Operating The Monitor

The Side Controller Of The Monitor



No.	Key	Description
1	Power	Power Switch ; Power ON/OFF
2	Enter	Activate selection. Source selection.
3	>/+	Menu left / Value decreasing
4	</-	Menu right / Value increasing
5	v	Menu up
6	^	Menu down
7	MENU	Enter OSD menu / Exit menu or select

▶ Source Selection Hot Key

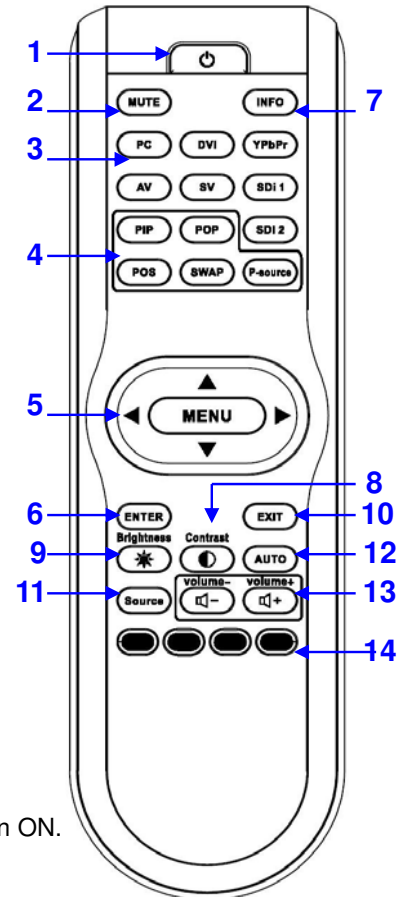
Press "ENTER" on side of Monitor, select input source directly.

Input Source selection: VGA/DVI/ Composite (AV) / S-Video/ Component (YPbPr)/ SDi 1/ SDi 2



The Remote Control (RCU) Instructions

No.	Key	Description
1	POWER	Power ON / OFF
2	MUTE	No function
3	PC, DVI, YPbPr AV, SV ,SDi 1, SDi 2	Input source selection SDi 1/ 2 is not available in this model.
4	PIP	Select PIP function -PIP POS: PiP position SWAP: Main, sub source swap SWAP hot key: White balance POP / PiP source: No function
5	▲▼▶◀, MENU	OSD menu selection
6	ENTER	ENTER the OSD selection
7	INFO	Show out OSD information / Life time
8	Contrast	Contrast value adjustment
9	Brightness	Brightness value adjustment
10	EXIT	OSD menu Exit / One level up
11	Source	Input source selection
12	AUTO	Adjust clock, phase, H & V position automatically
13	Volume +/-	Volume adjustment (no function)
14	R,G,B, Yellow	No function



▶ White balance hot key

When the color of picture is abnormal, please try to press "AUTO" key, and if the color is still abnormal, please press "SWAP" Key without PIP function ON.

▶ OSD Menu Lock/Unlock Control

Use control push buttons at side

Lock: Press (>/+)和 (◁) at the same time and OSD will be locked.

Unlock: Press (>/+)和 (▷) at the same time again and OSD will be unlocked.

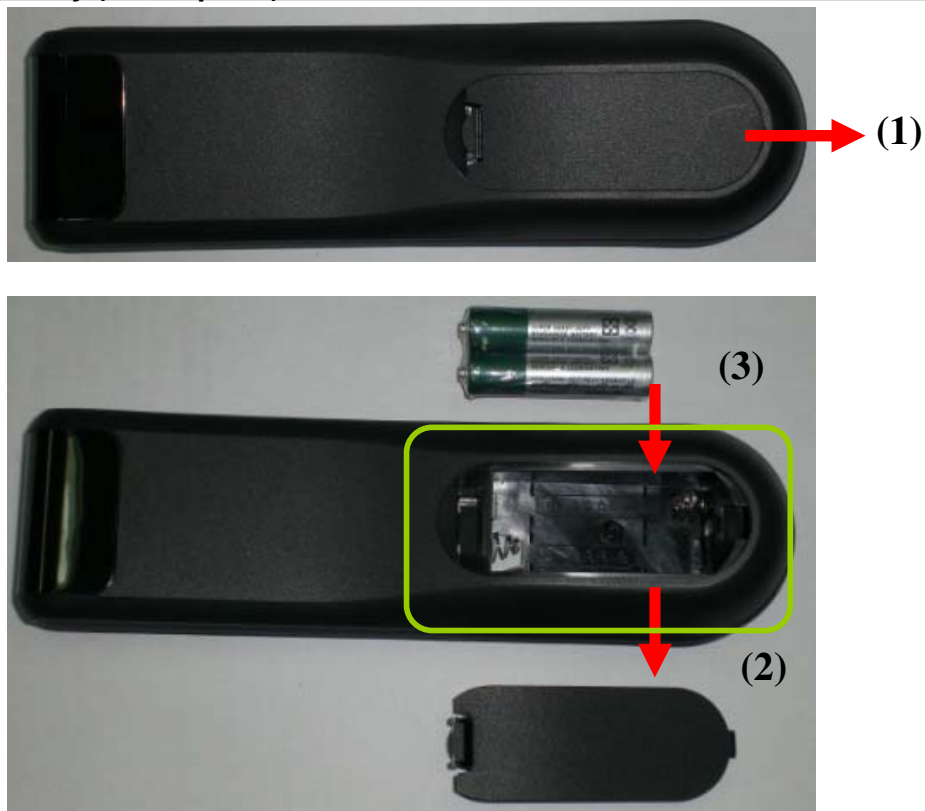
Use remote controller

Lock: Press **Enter, Enter, Exit, Exit, Enter** and **Exit** on the controller by sequence and OSD will be locked.

Unlock: Press **Enter, Enter, Exit, Exit, Enter** and **Exit** on the controller by sequence again and OSD will be unlocked.



Change The RCU Battery (RCU option)



- i. Take out the back cover as picture (1).
- ii. Replace with the new batteries as picture (2), 2 batteries (AAA, DC 3V) make sure the polarities of batteries are correct.
- iii. Place the back cover as picture (3).
- iv. Used batteries needed to follow the city rule to be discarded.
- v. Avoid keeping used, old batteries inside the remote control, causing leakage of internal liquid resulting metal rust or fatal damage to the remote control hand unit.
- vi. Battery to be used according to the instruction



CAUTION

- ◆ Risk of explosion if battery is replaced by an incorrect type.
- ◆ Dispose of used batteries according to the instructions.

About the remote controllers

- ◆ Please don't drop, shake or bump.
- ◆ Please don't place on wet materials.
- ◆ Please don't dismantle.
- ◆ Please don't place in locations exposed to high-temperature or high-humidity levels..

Display Mode

- **Main Source mode**

The main source mode will be changed in the sequence as follows: **VGA/DVI/ Composite (AV) / S-Video/ Component (YPbPr)/SDi 1/2** by remote control or press "MENU"→"◀"→">/+" by the side controller of the monitor.

- **PIP(sub source) mode**

Press "PIP" button on the remote control (turn on PIP function), and press "source" to select PIP input source. There is no PIP button on side controller of the monitor.

The sub-source changes as the main source changes. **(Picture 1)**

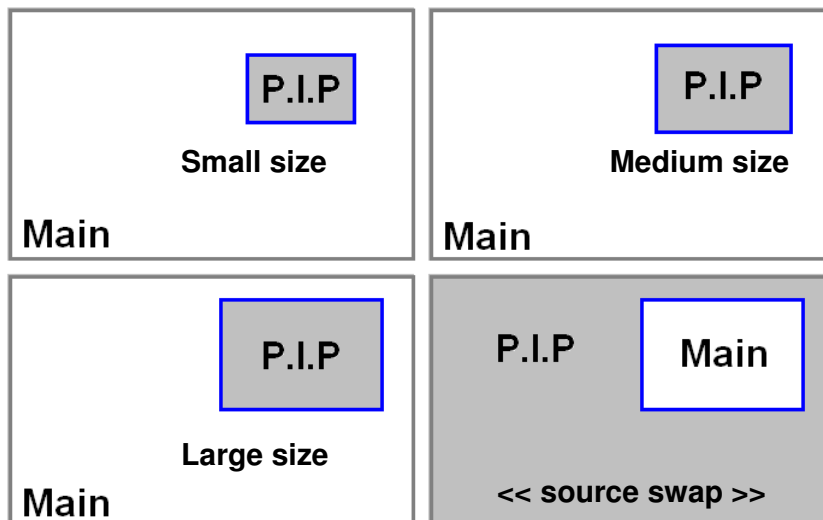


- **P.I.P size setting**

Press "PIP" button on the remote control (turn on PIP function).

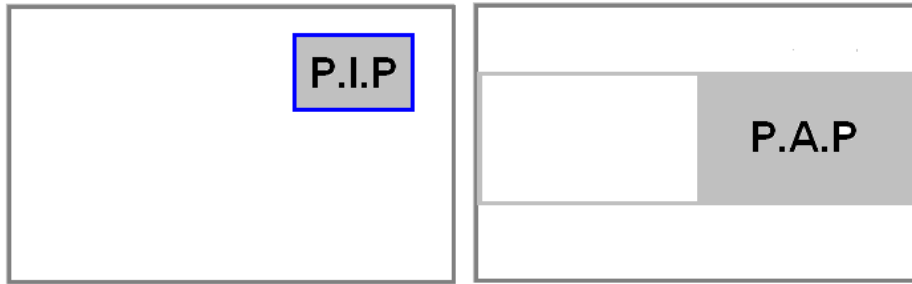
There are 3 kind of size can be selected-small size, medium size and large size.

Press "SWAP" button can be swap main source and sub source.



- **P.I.P & P.A.P(sub source) mode**

Press “Menu” button on the remote control to select **PIP** and **PAP** function.



- **Main source & sub source selection**

Main-source Sub-source	Composite	S-Video	Component	VGA	DVI
Composite		----	----	V	V
S-Video	----		----	V	V
Component	----	----		V	V
VGA	V	V	V		----
DVI	V	V	V	----	

V means enable.


---- means disable.


Example:

When main source is Composite (AV signal), the sub-source can select to VGA or DVI.

When main source is VGA, the sub-source can select to composite, S-Video or component.

OSD (On Screen Display) Menu Function

Main Menu	Sub-Menu	Description	Setting	
Information	Show monitor info.			
	Press "▶"	Input signal selection	VGA/DVI/Composite/S-Video / Component	
	Display	Back lightness	Adjust the backlightness of the monitor	0~100
		Brightness	Adjust the Brightness of the monitor	0~100
		Contrast	Adjust the contrast of the monitor	0~100
		Dynamic Contrast	Adjust the dynamic contrast of the monitor	On, Off
		Hue	Adjust the picture hue of the monitor	-45~+45
		Saturation	Adjust the picture saturation of the monitor	0,100
		Flash-Tone	Adjust the picture tone of monitor	Off/Weak/Soft/Strong
		Black Level	Adjust the black level of monitor <i>(IGP mode enable only)</i>	0,100
	IMAGE	Scaling	Select the picture ratio.	1:1/Fill/Aspect/panor
		Auto Adjust	Auto adjustment	Select
		Phase	Adjust the monitor phase <i>(IGP mode enable only)</i>	0~255
		Clock	Adjust the monitor clock <i>(IGP mode enable only)</i>	0~255
		Automatic Adjust	Auto Select the auto adjust function	On, Off
		Noise Reduction	Select the noise reduction mode <i>(IGP mode disable)</i>	Off, Low, Med, High
		Angle Filtering	Select the angle filtering function <i>(IGP mode disable)</i>	Off, On
		Film mode Defect	Select the film mode defect function <i>(IGP mode disable)</i>	Off, On
		Sharpness	Adjust the sharpness of the monitor <i>(IGP mode disable)</i>	-15~ 29
		POSITION	Zoom	Magnify the picture of monitor
	Zoom Horizontal Pan		Select the left/right picture to magnify	Left/Right
	Zoom Vertical Pan		Select the upper/down picture to magnify	Down/Up
	Vertical		Adjust the V-position of the Zoom picture	0~255
	Horizontal		Adjust the H-position of the Zoom picture	0~255
	COLOR	Gamma correction	Select the Gamma setting	Off, 2.2, 2.4
		Color Temperature	Select the color temperature setting	User,3200K,5400K,6500K,9300K,SMPTE-C
		Red	Adjust red color	0~255
		Green	Adjust green color	0~255
		Blue	Adjust blue color	0~255

Main Menu	Sub-Menu	Description	Setting	
	Press "▶"	Input signal selection	VGA/DVI/Composite/ S-Video / Component Follow CH. Display mode	
	DISPLAY	Back lightness	Adjust the backlightness of the monitor	0~100
		Brightness	Adjust the Brightness of the monitor	0~100
		Contrast	Adjust the contrast of the monitor	0~100
		Hue	Adjust the picture hue of the monitor	-45~+45
		Saturation	Adjust the picture saturation of the monitor	0,100
		Flash-Tone	Adjust the picture tone of monitor	Off/Weak/Soft/Strong
	PIP CONTROL	PIP Mode	Adjust the PIP mode	Off/Singe/PAP
		PIP Size	Adjust the PIP size	Small/MedV/Large
		Vertical	Adjust the V-position of PIP	0~100
		Horizontal	Adjust the H-position of PIP	0~100
	COLOR	Gamma correction	Select the Gamma setting	Off/ 2.2/ 2.4
		Color Temperature	Select the color temperature setting	User/3200K/6500K, 7500K/9300K
		Red	Adjust red color	0~255
		Green	Adjust green color	0~255
		Blue	Adjust blue color	0~255
	OSD setting	OSD Vertical	Adjust the OSD menu V-position	0~255
		OSD Horizontal	Adjust the OSD menu H-position	0~255
		OSD Language	Select OSD Language	English, Japanese, Chinese
		OSD Blend	Adjust the OSD menu of blend	0~15
		OSD Time out	Adjust the OSD menu display time	0~60
		OSD Zoom	Magnify the OSD menu	On/Off
	Other setting	Factory Reset	Reset to the factory default setting	Yes/ No
		Set Display Address	Select monitor ID address(optional)	0~255
		Baud Rate Selection	Select bard rate of monitor	115200,38400,19200,9600
		Light Sensor	Select the light sensor setting	On/ Off
		Light Sensor Value	Adjust the light sensor value	0~100
		Light Sensor Threshold	Adjust the light sensor threshold	0~100
		Source Auto Detection	Select input source detection function	On, Off
		Sleep Mode	Select sleep mode function	On, Off

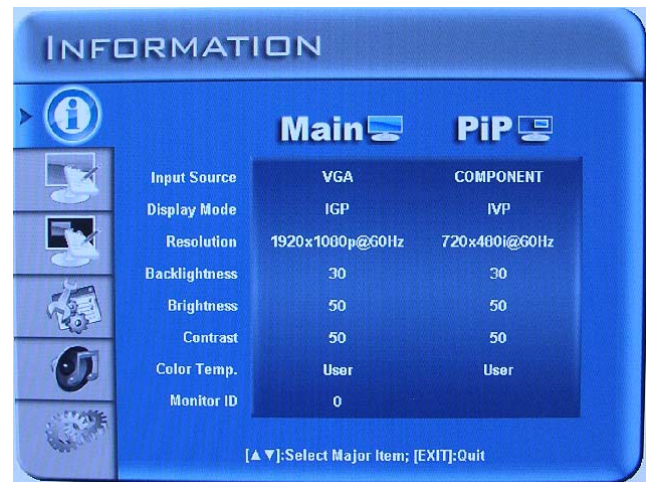
- (IVP) means selection is working on Video mode.
- (IGP) means selection is working on VGA mode.

OSD Operating

1. Structure of OSD Menu

➤ Main Menu-Information

- ◆ **On side of controller:**
Press "MENU" to enter OSD menu
- ◆ **On RCU:**
Press "MENU" to enter OSD menu



➤ Main setting -Input source selection

- ◆ **On side of controller:**
Press "MENU" to enter OSD Menu
Press "◁" → ">/+" to select input source on **Main Setting**
Press ">/+" or " </—" to select input source
Press "Enter" to enter the selected source.
Press "MENU" to exit the item.
- ◆ **On RCU:**
Press "MENU" to enter OSD Menu
Press "▼" → "▶" to enter **Main Setting** item
Press "▶" or "◀" to select input source
Press "Enter" to enter the selected source.
Press "Exit" to exit the item.



➤ Main Setting

- ◆ **On side of controller:**
 1. Press "MENU" to enter OSD Menu.
 2. Press "◁" → "Enter" to enter and select **Main Setting- (Display/Position/IMAGE/COLOR)** by ">/+" or " </—" , then press "◁" or "Enter" to enter the sub-item.
 3. Press ">/+" or " </—" to adjust value / select items, then press "Enter" to save the setting, when finished adjusting.
 4. Press "MENU" to exit the item.
- ◆ **On RCU:**
 1. Press "MENU" to enter OSD Menu.
 2. Press "▼" → "Enter" to enter and select **Main Setting (Display/Position /IMAGE/ COLOR)** by "▶" or "◀" key, then press "▼" or "Enter" to enter the sub item.
 3. Press "▶" or "◀" to adjust value / select items, then press "Enter" to save the setting, when finished adjusting.
 4. Press "EXIT" to exit the item.



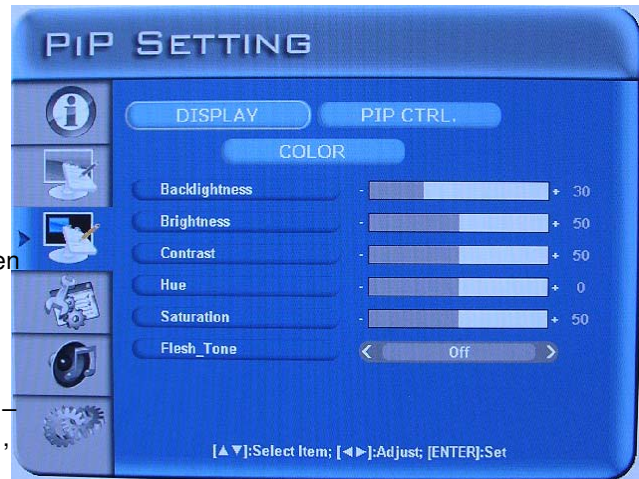
➤ **PiP Setting- PiP source selection**

- ◆ **On side of controller:**
 - Press "MENU" to enter OSD Menu
 - Press "▽" twice → "> / + " to enter PiP source item
 - Press "> / + " or "< / - " to select input source
 - Press "Enter" to enter selected source.
 - Press "MENU" to exit the item.
- ◆ **On RCU:**
 - Press "MENU" to enter OSD Menu
 - Press "▽" twice → "▶" to enter PiP source item
 - Press "▶" or "◀" to select input source
 - Press "Enter" to enter selected source.
 - Press "Exit" to exit the item.



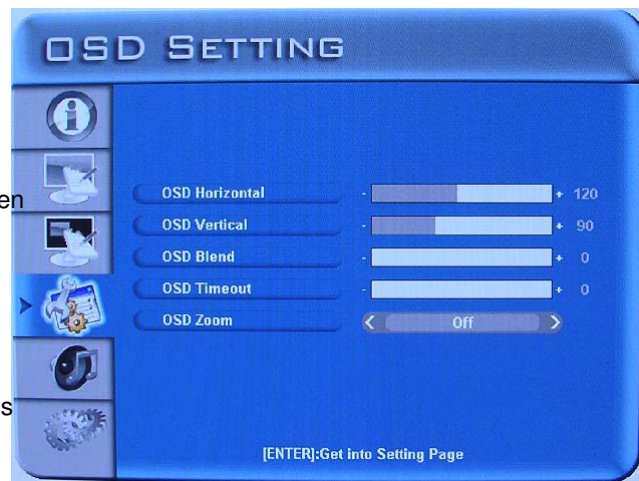
➤ **PiP Setting-sub source setting**

- ◆ **On side of controller:**
 1. Press "MENU" to enter OSD menu.
 2. Press "▽" twice then press "Enter" to enter and select- PiP setting (DISPLAY/ PiP CTRL. /COLOR) by "> / + " or "< / - ", then press "▽" or "Enter" to enter the sub-item.
 - Press "> / + " or "< / - " to adjust value / select items, then press "Enter" to save the setting, when finished adjusting.
 3. Press "MENU" to exit the item.
- ◆ **On RCU:**
 1. Press "MENU" to enter OSD Menu.
 2. Press "▼" twice then press "Enter" to enter **PIP setting** — PiP setting(DISPLAY/ PiP CTRL. /COLOR) by "▶" or "◀", then press "▼" or "Enter" to enter the item.
 3. Press "▶" or "◀" to adjust value / select item, then press "Enter" to save the setting, when finished adjusting.
 4. Press "EXIT" to exit the item.

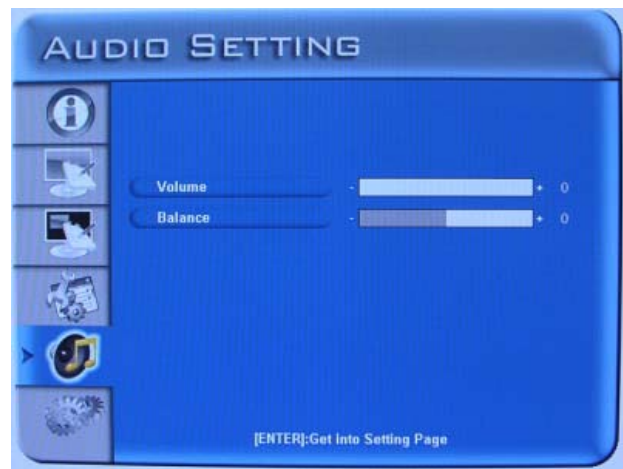


● **OSD Setting**

- ◆ **On side of controller:**
 1. Press "MENU" to enter **Main Menu**.
 - press "▽" 3 times and press the "Enter" to enter setting.
 2. Press "▽" or "▲" to select the sub-item.
 3. Press "> / + " or "< / - " to adjust value / select items, then press "Enter" to save the setting, when finished adjusting.
 4. Press "MENU" to exit the item.
- ◆ **On RCU:**
 1. Press "MENU" to enter Main Menu.
 - press "▼" 3 times and press the "Enter" to enter setting.
 2. Press "▼" or "▲" to select sub-item.
 3. Press "▶" or "◀" to adjust value / select items, then press "Enter" to save the setting, when finished adjusting.
 4. Press "EXIT" to exit the item



➤ **Audio Setting- Not available.**



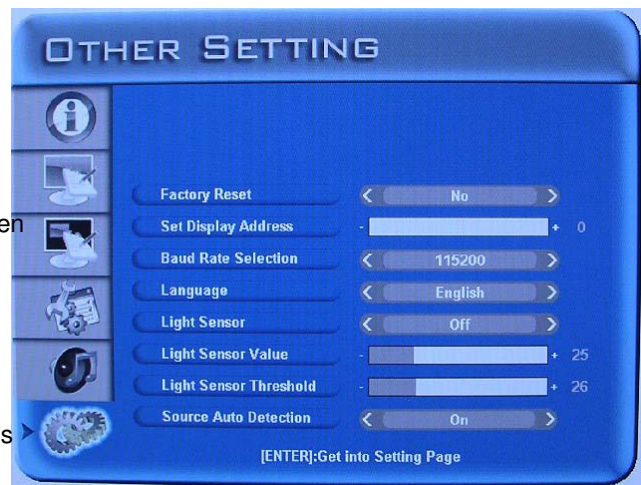
➤ **Other Setting**

◆ **On side of controller:**

1. Press "**MENU**" to enter Main Menu.
press "⏏" 5 times and press the "**Enter**" to enter setting.
2. Press "⏏" or "⏏" to select sub-item.
3. Press ">/+" or "</-" to adjust value / select items, then
press "**Enter**" to save the setting, when finished adjusting.
4. Press "**MENU**" to exit the item.

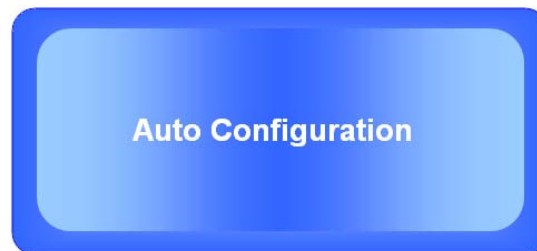
◆ **On RCU:**

1. Press "**MENU**" to enter Main Menu.
press "▼" 5 times and press the "**Enter**" to enter setting.
2. Press "▼" or "▲" to select the sub-item.
3. Press "▶" or "◀" to adjust value / select items, then press
"**Enter**" to save the setting, when finished adjusting.
4. Press "**EXIT**" to exit the item

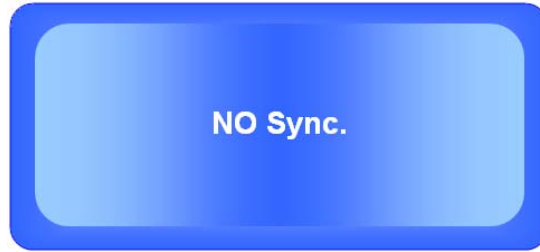


2. Message of OSD Menus

- When executed AUTO / Factory Reset function, the message will appear.



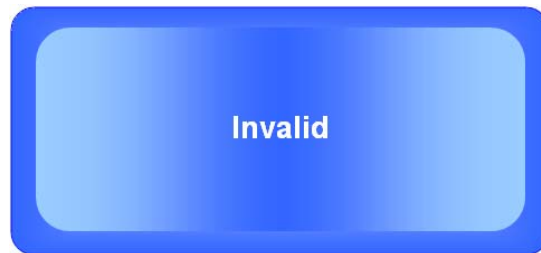
-
-
- When there is no signal input or the cable is disconnecting, the message will appear.



- When the frequency of timing is out of SPEC, the message will appear.



- When the timing is out of SPEC, the message will appear.



Default Setting

Item	Default
Power switch	Off
Brightness	50
Back lightness	80
Contrast	50
Color temp.	User
Language	English
Auto detection	Off
Auto Adjust	On

Supported Timing

Video Mode		fH (kHz)	fV (Hz)	Dot clock (MHz)	Sync polarity		Horizontal (dot)					Vertical (line)					Analog	Digital	Component	S-Video	Composite
					H	V	A	B	C	D	E	O	P	Q	R	S					
VESA	VGA 640x480	31.469	59.940	25.175	N	N	800	96	48	640	16	525	2	33	480	10	O	O			
		37.861	72.809	31.500	N	N	832	40	128	640	24	520	3	28	480	9	O	O			
		37.500	75.000	31.500	N	N	840	64	120	640	16	500	3	16	480	1	O	O			
		43.269	85.008	36.000	N	N	832	56	80	640	56	509	3	25	480	1	O	O			
	SVGA 800x600	35.156	56.250	36.000	P	P	1024	72	128	800	24	625	2	22	600	1	O	O			
		37.879	60.317	40.000	P	P	1056	128	88	800	40	628	4	23	600	1	O	O			
		48.077	72.188	50.000	P	P	1040	120	64	800	56	666	6	23	600	37	O	O			
		46.875	75.000	49.500	P	P	1056	80	160	800	16	625	3	21	600	1	O	O			
		53.674	85.06	56.250	P	P	1048	64	152	800	32	631	3	27	600	1	O	O			
	XGA 1024x768	48.363	60.004	65.000	N	N	1344	136	160	1024	24	806	6	29	768	3	O	O			
		56.476	70.069	75.000	N	N	1328	136	144	1024	24	806	6	29	768	3	O	O			
		60.023	75.029	78.750	P	P	1312	96	176	1024	16	800	3	28	768	1	O	O			
		68.677	84.997	94.500	P	P	1376	96	208	1024	48	808	3	36	768	1	O	O			
WXGA 1360x768	47.712	60.015	85.5	P	P	1792	112	256	1360	64	795	6	18	768	3	O	O				
SDTV	NTSC	15.734	29.97	13.500														O	O	O	
	PAL	15.625	25.00	13.500														O	O	O	
EDTV	480p	31.500	60.00	27.03	N	N	858	62	60	720	16	525	6	30	480	9	O	O			
	576p	31.250	50.00	27.00	N	N	864	64	68	720	12	625	5	39	576	5	O	O			
HDTV	720p 1280x720	37.500	50	74.25	N	N	1980	40	220	1280	440	750	5	20	720	5	O	O			
		45.000	60	74.250	P	P	1650	40	220	1280	110	750	5	20	720	5	O	O			
		44.995	59.94	74.176	P	P	1650	40	220	1280	110	750	5	20	720	5	O	O			

Specification

Item		Specification	Unit
LCD panel	Pixel Number	1366x R.G.B. x 768	pixel
	Pixel Arrangement	RGB Vertical Stripe	-
	Resolution	1360x768@60Hz(Max)	
	Display Color	16.7M	color
	Trans-missive Mode	Normally Black	-
	Viewing Angle (H / V)	176 / 176	degree
	Brightness	400 (typ.)	cd/m2
	Contrast Ratio	800(typ.)	-
	Response Time	8 (Tr+Tf, typ.)	ms
Graphic	Separate Sync.	LVDS Level	-
	Horizontal Sync.	Positive / Negative	-
	Vertical Sync.	Positive / Negative	-
	Input Connector	D-Sub 15 pins, DVI-D 24 pins, Component Composite, S-Video, RS-232(option)	-
Performance	Auto Adjust	Clock, Phase, H Position & V Position	-
	Screen Scaling	VGA/SVGA/XGA/SXGA/WXGA Full Screen Display	-
	Power Management	VESA DPMS, DVI DMPM	-
	Gamma Correction	Off, 2.2, 2.4	
	Color Adjustment	User, 6500K, 5400K ,3200K, 9300K & SMPTE-C	-
	OSD Language	English, Japanese, Chinese	-
Power supply	Input AC	110V~240V (Worldwide)	V
Power consumption	Operation Mode	≤ 165 (max.)	W
	Power Saving Mode	≤ 15(max)	W
Physical	Dimension, (WxDxH)	626.0 x 93.5 x 400.65 (w/o Stand)	mm
	Net Weight	12.5	kg
	Gross Weight	18	kg
Function	OSD key	7	key

Troubleshooting

Before calling service personnel, please check the following chart for a possible cause to the trouble you are experiencing.

- ◆ Perform the adjustments according to Operation The Monitor
- ◆ Refer to the following items if you can't find a proper item listed in the Operating the Monitor or if the problem remain.
- ◆ if the problem you have experienced isn't described below or you can't correct the problem, stop using the monitor and calling service personnel or your dealer.

Problem	Check these things
No Display	Check the power plug insert on wall outlet. Check the main power switch If AC socket is OK, please check using another set of equipment. Check input signal, the signal may not be suitable.
Display is not in the center.	If the signal timing of the computer is within the spec.
Display is shaking.	If the signal timing of the computer is within the spec.
Touch no function.	Check the cable connection between PC and Monitor.
The remote control doesn't work	Make sure the battery is inserted matching the + and - marks of the battery compartment. The battery may be exhausted. Use the remote control aiming at the remote control sensor.
The picture color is pale, or not clear	Check picture quality to adjust. If you are using YUV terminals, make sure cables are correctly connected.

Compliance

FCC Compliance Statement:

This equipment has been tested and found to comply with the limits for a Class A digital device, pursuant to part 15 of the FCC Rules. These limits are designed to provide reasonable protection against harmful interference when the equipment is operated in a commercial environment. This equipment generates, uses, and can radiate radio frequency energy and, if not installed and used in accordance with the instruction manual, may cause harmful interference to radio communications. Operation of this equipment in a residential area is likely to cause harmful interference in which case the user will be required to correct the interference at his own expense.

Warning

This is class A products. In a domestic environment this product may Cause radio interference in which case the user may be required to take adequate measures.

This device complies with Part 15 of the FCC Rules. Operation is subject to the following two conditions : (1) this device may not cause harmful interference, and (2) this device must accept any interference received, including interference that may cause undesired operation.

CE

EN 55022 \ EN 61000-3-2 \ EN-61000-3-3
EN 55024 \ IEC61000-4
EN 60950 [Low-Voltage Directive (73/23/EEC)]

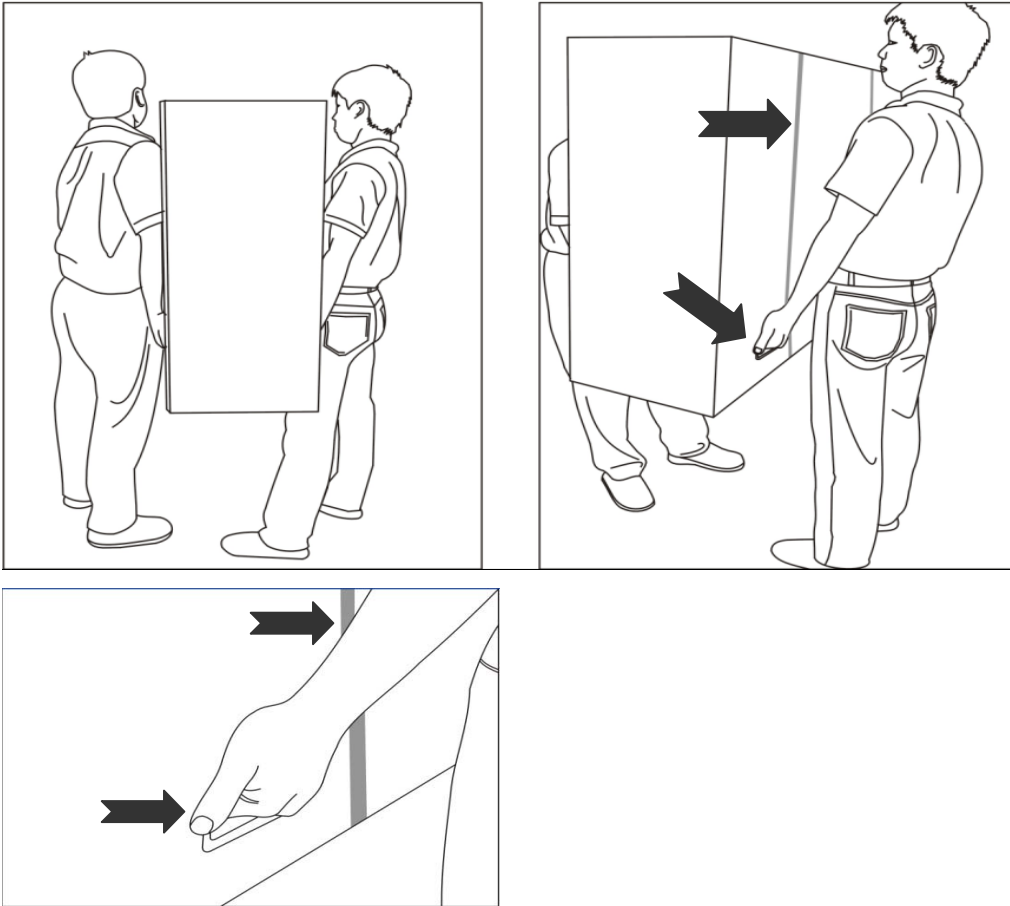
VARTECH SYSTEMS INC.

11529 Sun Belt Ct.
Baton Rouge, Louisiana 70809
Toll-Free: 800.223.8050
International Phone:
001.225.298.0300

Appendix

◆ Moving Notice:

Moving the monitor requires at least two people. If not, it may drop and a serious injury may result. Moving/shipping the monitor, please hold the white handles and be sure to make the bundle. If not, it may drop and a serious injury may result. Please see as below pictures.

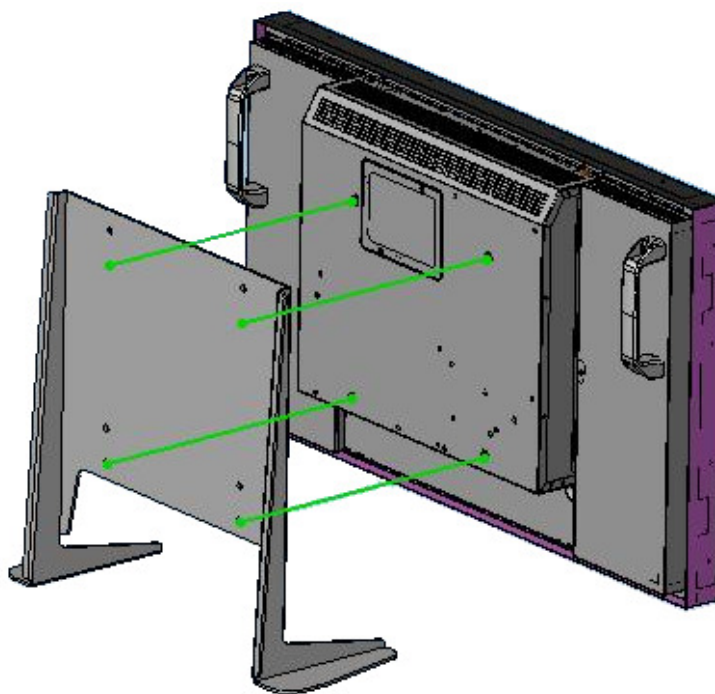
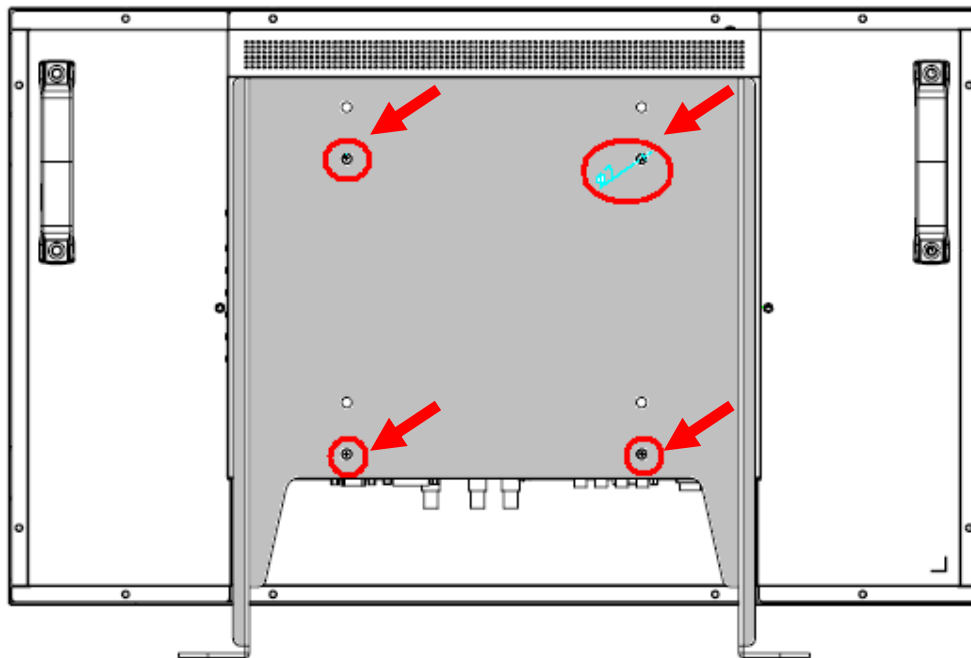


◆ Installation Wall Mount kit

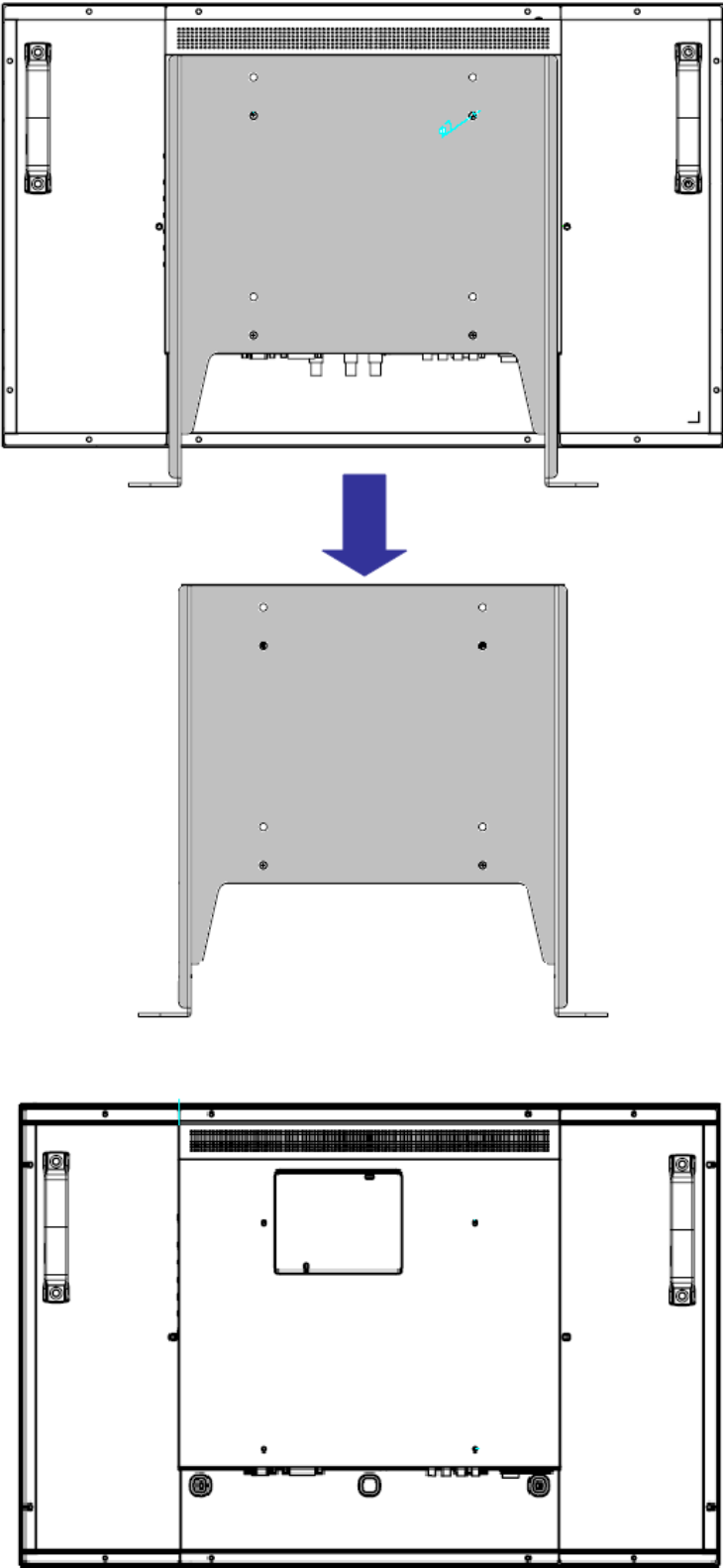
- ✓The installation, please follow this manual instructions and refer all servicing to qualified service personnel.
- ✓Moving the monitor requires at least two people. If not, it may drop and a serious injury may result.
- ✓Before installing, please check the installing manual in wall mount kit box.
- ✓Before installing, please make sure the wall is strong enough ex. a solid cement wall.

Step1. Keep the display facing the ground and place it on a flat object.

Step2. Unscrew 4 screws of stand.



Step3. Take the stand off.



Step 5. Install the mounting unit.
Please follow the installing manual in wall mount kit box.

