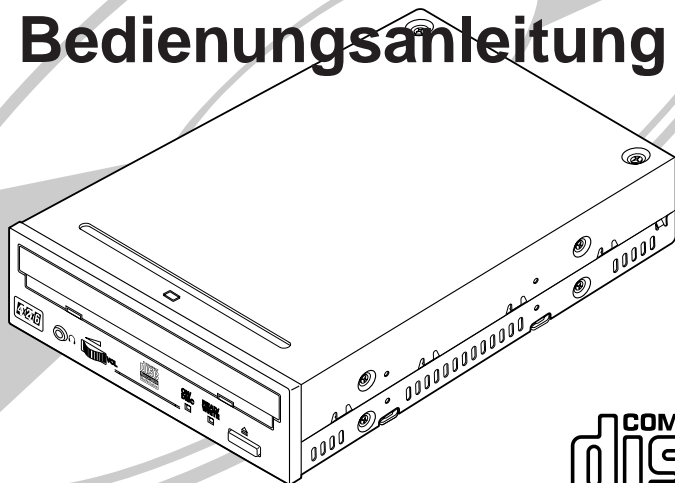


**YAMAHA**  
**CRW4001t**  
**SERIES**

**User Guide**  
**Guide de l'utilisateur**  
**Bedienungsanleitung**



**4x2x6**

**COMPACT**  
**disc**  
**Recordable**  
**ReWritable**

**YAMAHA**

# COMPLIANCE INFORMATION STATEMENT

## (DECLARATION OF CONFORMITY PROCEDURE)

Responsible Party: Yamaha Systems Technology, Inc.  
Address: 100 Century Center Court  
San Jose, California 95112  
Telephone: (408) 467-2330  
FAX: (408) 437-8791  
Type of Equipment: CD Recorder  
Model Name: CRW4001t  
CRW4001t-NB

This device complies with Part 15 of the FCC Rules.

Operation is subject to the following conditions:

- 1) this device may not cause harmful interference, and
- 2) this device must accept any interference received including interference that may cause undesired operation.

See user manual instructions if interference to radio reception is suspected.

### FCC INFORMATION (U.S.A.)

**1. IMPORTANT NOTICE: DO NOT MODIFY THIS UNIT!**

This product, when installed as indicated in the instructions contained in this manual, meets FCC requirements. Modifications not expressly approved by Yamaha may void your authority, granted by the FCC, to use the product.

- 2. IMPORTANT:** When connecting this product to accessories and/or another product use only high quality shielded cables. Cable/s supplied with this product **MUST** be used. Follow all installation instructions. Failure to follow instructions could void your FCC authorization to use this product in the USA.

- 3. NOTE:** This product has been tested and found to comply with the requirements listed in FCC Regulations, Part 15 for Class "B" digital devices. Compliance with these requirements provides a reasonable level of assurance that your use of this product in a residential environment will not result in harmful interference with other electronic devices. This equipment generates/uses radio frequencies and, if not installed and used according to the instructions found in the users manual, may cause interference harmful to the operation of other electronic devices. Compliance with FCC regulations does not guarantee that interference will not occur in all installations. If this product is found to be the source of interference, which can be determined by turning the product "OFF" and "ON", please try to eliminate the problem by using one of the following measures:

Relocate either this product or the device that is being affected by the interference.

Utilize power outlets that are on different branch (circuit breaker or fuse) circuits or install AC line filter/s.

In the case of radio or TV interference, relocate/reorient the antenna. If the antenna lead-in is 300 ohm ribbon lead, change the lead-in to coaxial type cable.

If these corrective measures do not produce satisfactory results, please contact the local retailer authorized to distribute this type of product. If you can not locate the appropriate retailer, please contact Yamaha Systems Technology, Inc. 100 Century Center Court, San Jose, CA95112, U.S.A.

- This manual applies to the CRW4001t and CRW4001t-NB.  
The CRW4001t front panel displays the YAMAHA brand name.  
The CRW4001t-NB front panel does not display a brand name.

**Laser Diode Properties**

Material : GaAlAs

Wavelength : 780-790 nm

Emission Duration : Continuous

Laser Output Power : Less than 44.6  $\mu$ W\*

\* This output is value measured at a distance 200mm from the objective lens surface on the optical pick-up block.

ANSI Class : Class 1

**CAUTION**

Use of controls or adjustments or performance of procedures other than those specified herein may result in hazardous radiation exposure.

**CLASS 1 LASER PRODUCT  
LASER KLASSE 1 PRODUKT**

This compact disc player is classified as a CLASS 1 LASER product. The CLASS 1 LASER PRODUCT label must be located on the exterior.

VORSICHT : UNSICHTBARE LASERSTRAHLUNG WENN ABDECKUNG  
GEOFFNET. NICHT DEM STRAHL AUSSETZEN.  
VARNING : OSYNNIG LASERSTRÅLNING NÄR DENNA DEL ÄR ÖPPNAD OCH  
SPÄRREN ÄR URKOPPLAD. BETRAKTA EJ STRÅRLÄN. STRÅLEN ÄR FÄRLING.  
VARO! : AVATAESSA JA SUOJALUKITUS OHITETTAESSA OLET  
ALTTINA NÄKYMÄTTÖMÄLLE LASERS TEILYLLE. ÄLÄ KATSO SÄTESSEN.  
ADVARSEL : USYNLIG LASERSTRALNING VED ÅBNING NÄR SIKKERHETS-  
BYDERE ER UDE AF FUNKTION. UNDGÅ UDSETTELSE FOR STRÅLING.

Varningsanvisning för  
laserstrålning.

**! WARNING !**

- The temperature where CRW4001t is located should be between 5°C and 40°C (41°F – 104°F), when used in a fan-cooled system.
- Do not disassemble the CRW4001t cover to reduce the risk of electric shock.
- Always remove the disc before transporting CRW4001t.

## **Important Precautions**

Please read the following precautions before attempting to operate the CRW4001t.

- Before recording a disc, be sure to clean the disc and tray using an air aerosol-type dust remover. A dust particle on the disc may cause recording to fail, producing an unusable disc.
- Always record in a dust-free environment. If the disc must be removed from the CRW4001t before recording is finished, store the disc in a clean, dust-free environment.
- The CRW4001t contains no user serviceable parts. Refer all servicing to qualified personnel.
- If any of the following should occur, the CRW4001t should be serviced by qualified personnel:  
Metal objects or liquids get inside the CRW4001t.  
The CRW4001t does not operate normally or a marked change in performance is noticed.
- Do not place heavy objects on the CD-RW discs.
- Do not subject the CRW4001t and computer to impact or shock when in use, as this may impair recording or playback.
- Yamaha is not responsible for any data or information losses resulting from the operation of the CRW4001t.

## Table of Contents

<b>Introduction</b> .....	1
CRW4001t Features .....	1
Orange Book Compatible Recording .....	2
<b>Chapter 1 - System Configuration</b> .....	3
Computer .....	3
Software .....	3
Tools .....	3
Discs .....	4
<b>Chapter 2 - Installing the Yamaha CRW4001t Drive</b> .....	5
MASTER/SLAVE settings .....	5
Installing the CRW4001t drive .....	7
<b>Chapter 3 - Operation</b> .....	12
Front Panel .....	12
Loading a Disc .....	13
Ejecting the Disc .....	14
<b>Troubleshooting</b> .....	15
<b>Appendix</b> .....	16
Specifications .....	16
Front Panel Indicator Key .....	17

©1997 Yamaha Corporation. All Rights Reserved.

This document may not, in whole or in part, be copied, photocopied, reproduced, translated, transmitted or reduced to any electronic medium of machine readable form without prior consent in writing from Yamaha.

MS-DOS and Windows are registered trademarks of Microsoft, Inc.

Unix is a registered trademark of UNIX System Laboratories.

All other trademarks are the property of their respective companies.

## Introduction

Thank you for purchasing a Yamaha CRW4001t drive. Please read this manual before using the drive in order to make the best use of the superior CRW4001t functions.

After reading, please retain this manual for future reference.

### CRW4001t Features

- **2xS Recording (Rewritable) - 4xS Recording (Recordable) - 6xS Reading**

The CRW4001t is able to write (overwrite) CD-RW discs at double speed, and is able to write CD-R discs at quad speed, double speed, or normal speed.

For both types of media, this drive is able to read at 6X speed, quad speed, double speed, or normal speed, and any of these modes can be selected as desired.

- **Compatible with Seven Different Formats**

The CRW4001t can both record and read seven different formats: CD-ROM, CD-ROM XA, CD-I, CD-DA, CD-Bridge (multisession), CD-Extra, and Video CD. The CRW4001t is also equipped with an analog audio output terminal (headphones) for CD-DA.

- **ATAPI for High-Volume, High-Speed Data Transfer**

The CRW4001t features ATAPI/IDE interface for connecting computers and peripheral devices. ATAPI provides high-speed transmission of large quantities of data, which is especially important when working with image data.

- **Orange Book Part 2, Part 3 Compatible 5-Mode Recording**

The CRW4001t conforms to the five recording modes outlined in the Orange Book Part 2 and Part 3: Track at Once, Multisession, Disc at Once, Session at Once and Packet Writing.

## **Orange Book Compatible Recording**

### **Track at Once**

In this mode, data can be recorded to disc one track at a time. Discs recorded in this mode cannot be played in CD players or CD-ROM drives other than a CD-RW or CD-R drive until the session is closed.

### **Multisession**

In this mode, data can be recorded to disc in stages (one session at a time). Additional data can be written later.

### **Disc at Once**

In this mode, data can be recorded to an entire disc in one pass. It is not possible to write additional data later.

### **Session at Once**

In this mode, data can be recorded to disc one session at a time. To use this mode, your software must support Session at Once recording. New sessions can be written later.

### **Packet Writing**

This is useful for data back-up. Smaller units of data can be added to tracks. To use this mode, your software must support Packet Writing.



## Chapter 1 - System Configuration

Before using the CRW4001t, make sure that you have all of the items on the list of included items.

In order to use the CRW4001t, you will require the following.

### Computer

The following operating environment is required:

- An IBM/AT compatible computer with a 100 MHz or faster Pentium CPU (in order to write at 4x speed), or a 100 MHz or faster 486 CPU (in order to write at 2x speed)
- A vacant IDE interface connector
- A vacant half-height bay
- Windows 95
- Sufficient hard disk space

**Note:** *You will need about twice as much space on your hard disk as that required by the data you wish to write to CD-ROM.*

### Software

Use writing software or packet writing software which supports the CRW4001t.

### Tools

- Philips screwdriver

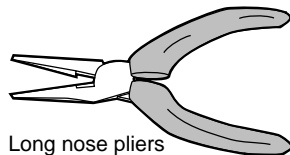
This is used to remove the cover of your computer, and to install the Yamaha CRW4001t drive.



Philips screwdriver

- Long nose pliers

These are used to insert or remove the jumper pin when setting the MASTER/SLAVE settings of the Yamaha CRW4001t drive.



Long nose pliers

### Discs

On the CRW4001t, you can use conventional CD-RW and CD-R discs that conform to the Recordable Compact Disc Systems Part 2 and Part 3 (Orange Book).

Yamaha recommends the following Yamaha CD-RW and CD-R discs:

#### CD-RW Discs

> CRWM74R (φ120mm, 74 minutes)

#### CD-R Discs

> CDM12Y63 (φ120mm, 63 minutes)


> CDM12Y74 (φ120mm, 74 minutes)

> CDM12Y74M (φ120mm, 74 minutes)

> CDM12Y74T (φ120mm, 74 minutes)

#### Read-only Discs

You can use discs with the  logo which conform to the Compact Disc Read Only Memory standard (CD-ROM standard, Yellow Book).

If you wish to use the audio functions, use discs with the  logo, which conform to the Compact Disc Digital Audio standard (Red Book).

## Chapter 2 - Installing the Yamaha CRW4001t Drive

### MASTER/SLAVE settings

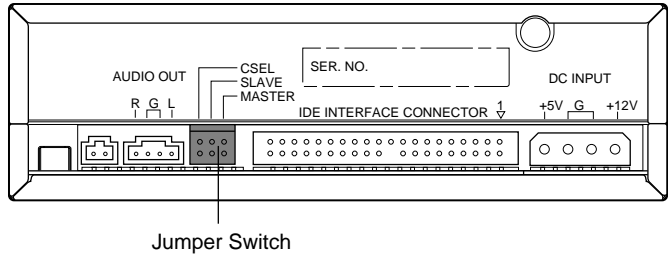
Before you install the CRW4001t in your computer, you must make the MASTER/SLAVE setting.

This setting is set by inserting a jumper pin in the jumper switch located on the rear panel of the CRW4001t drive.

**Important:** *When the unit is shipped from the factory, this setting is in the MASTER position.*

**Note:** *Use long-nose pliers to remove or insert the jumper pin.*

### Rear Panel



Enhanced IDE compatible computers normally have two IDE interface connectors; a primary one and a secondary one.

Each IDE interface connector of the host computer allows up to two IDE devices to be connected. This means that a total of up to four IDE devices can be connected.

Normally, a hard disk is connected to the primary connector, and a CD-ROM drive is connected to the secondary connector.

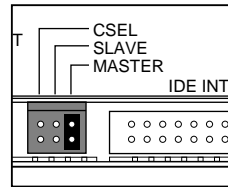
**Important:** *Avoid connecting the CRW4001t or a CD-ROM drive to the same primary connector as the hard disk drive.*

*In order to take full advantage of the system's performance, we recommend that you connect the CRW4001t to the secondary connector by itself as the MASTER.*

### ◆ Setting the CRW4001t as the MASTER

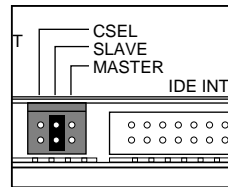
As shown in the diagram at the right, insert the jumper pin into the right edge of the jumper switch.

**Note:** *If only the CRW4001t will be connected to the IDE interface connector, connect the CRW4001t to the end of the connector.*



### ◆ Setting the CRW4001t as the SLAVE

As shown in the diagram at the right, insert the jumper pin into the middle of the jumper switch.



### ◆ CSEL (Cable SElect)

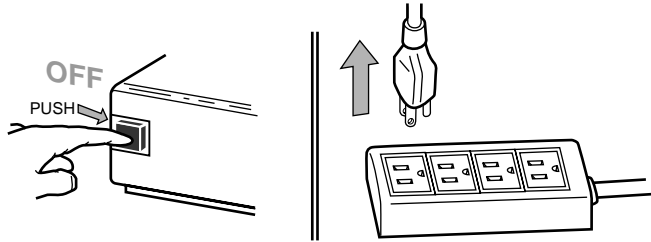
If you use the CSEL setting, the MASTER/SLAVE setting will be made automatically depending on the hardware configuration. For details refer to the manual of your computer.

## Installing the CRW4001t drive

The following steps will differ slightly depending on the type of computer you are using. For details on removing the cover from your computer, and installing or removing internal devices, refer to the manual for your computer.

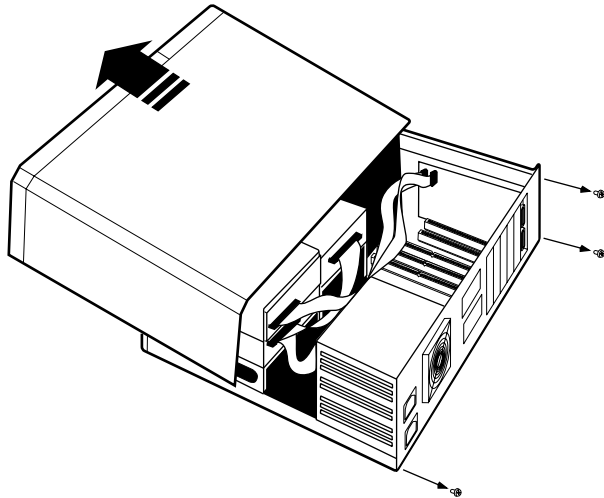
**1. Switch off your computer, and unplug it from the AC outlet.**

If you fail to do this, there is a danger of electric shock and/or of causing short circuits, which may damage the computer and/or CRW4001t drive.



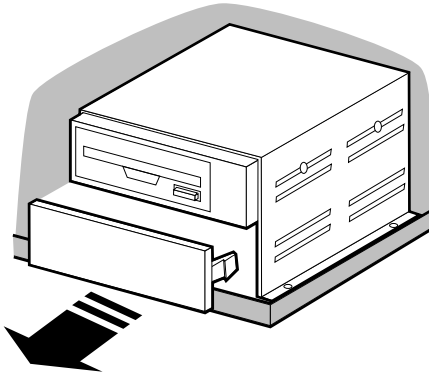
**2. Remove the cover from your computer.**

Be careful not to lose the screws that were removed.

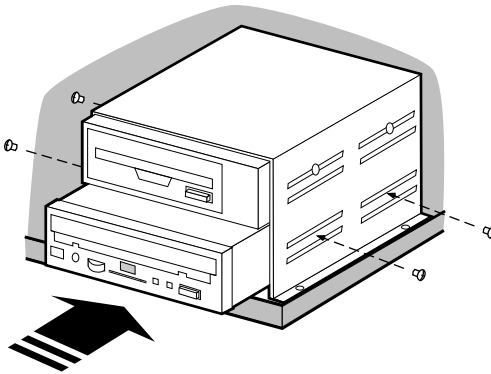


**3. Your hands or body may be holding a charge of static electricity. Touch a metallic portion of the chassis or power supply to release any such charge.**

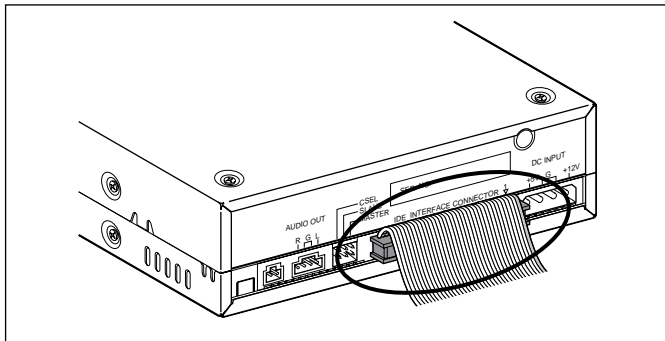
- 4. Remove the front cover of a vacant half-height drive bay.**  
For details refer to the manual of your computer.



- 5. Slide the CRW4001t drive into the drive bay from the front.**  
At this time, be careful not to apply excessive force to the drive itself. Finger-tighten the four fastening screws, and check that there is enough room to connect the power supply cable, IDE interface connector, and AUDIO cables.

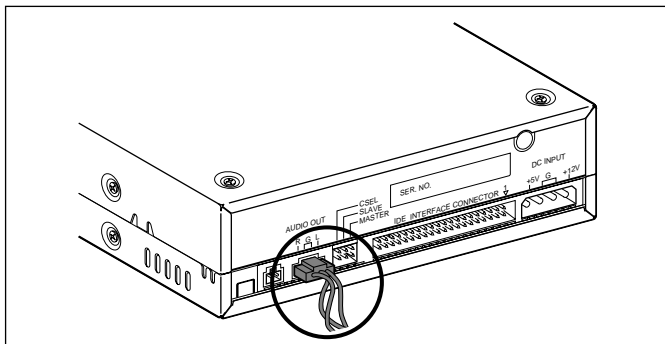


- 6. Connect the IDE interface connector.**  
Connect the 40-pin IDE interface connector to the IDE interface located on the rear panel of the CRW4001t drive.  
Position the connector so that the colored line is at pin 1 (your lower right).

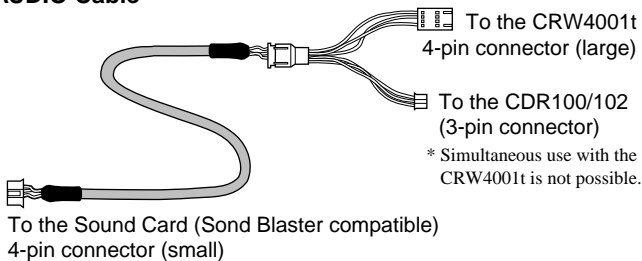


**7. Connect the AUDIO cable.**

Connect the single 4-pin connector (Sound Blaster compatible) to the sound card. Connect the 4-pin connector at the other end of the cable (the larger connector) to the AUDIO OUT connector on the CRW4001t drive. The polarizing lug should be at the top.



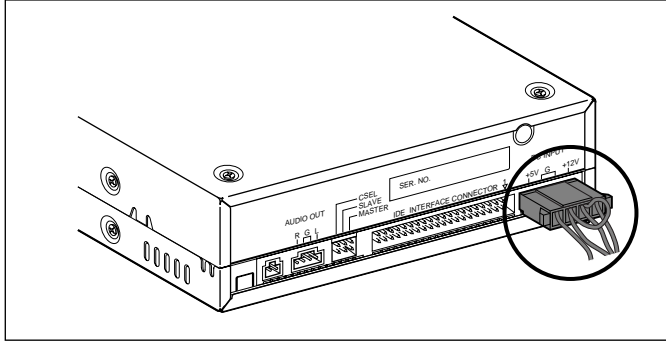
**AUDIO Cable**



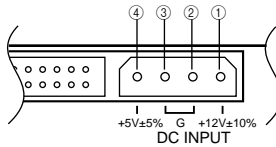
### 8. Connect the power supply cable.

Connect the +12V and +5V 4-pin power cable to the power supply interface located on the rear panel of the CRW4001t drive.

The shape of the connector makes it impossible to reverse the connections.

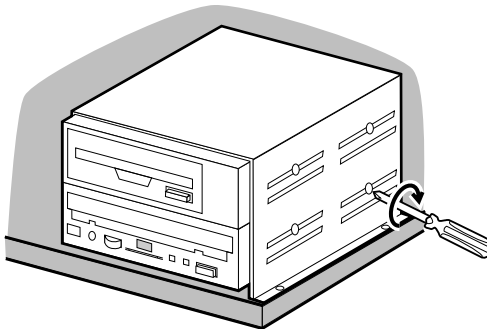


### DC INPUT I/F



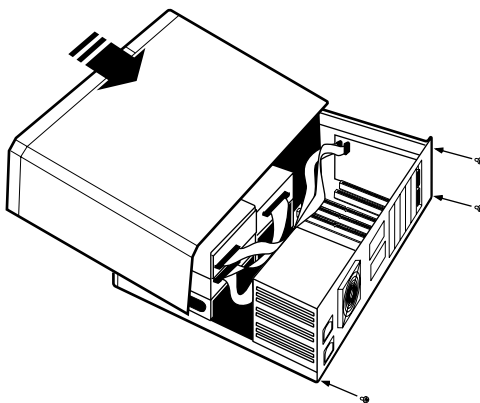
+ 12VDC  
Ground(+12V DC RETURN)  
Ground(+5V DC RETURN)  
+ 5VDC

### 9. Tighten the four fastening screws securely.



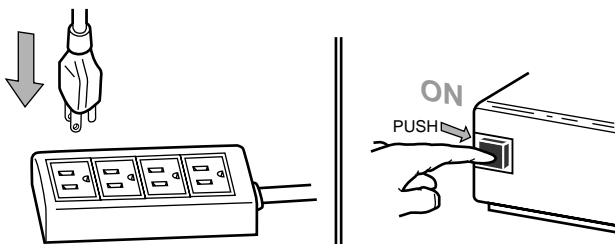


**10. Attach the cover of your computer.**



**11. Connect the power cable to an AC outlet, and switch on your computer.**

Make sure that the LED located on the panel of the CRW4001t drive is lit.



**12. Start up your operating system.**

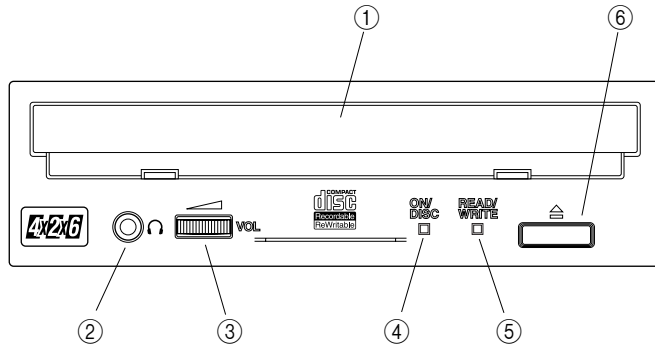
For the procedure, refer to the manual for your operation system.

**13. Install the writing software.**

For the installation procedure, refer to the manual for your writing software.

## Chapter 3 - Operation

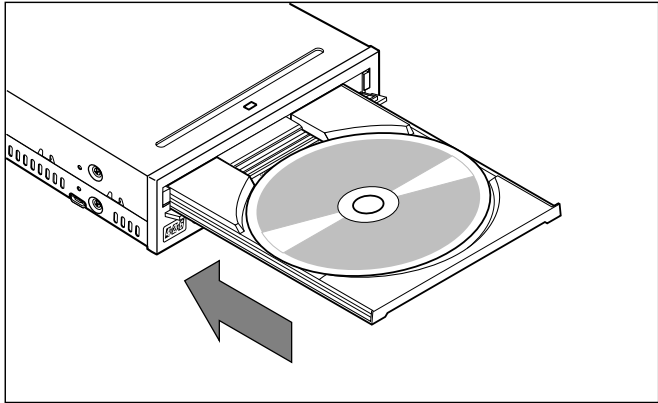
### Front Panel



- ① **Disc tray**  
The disc is inserted and ejected here. Pressing the eject button will open the tray.
- ② **Headphone jack**  
This stereo mini jack allows you to connect headphones and listen to audio.
- ③ **Headphone volume control**  
This control adjusts the volume level of the headphone output. Rotating the control clockwise will increase the volume level.
- ④ **ON/DISC LED**  
This indicator lights up in orange when the CRW4001t is powered on, and lights up in green when the CRW4001t contains a disc.
- ⑤ **READ/WRITE LED**  
This indicator lights up in green when data is being read, and flashes when data is being accessed. It also lights up in orange when data is being recorded on a disc.
- ⑥ **Eject button**  
This button is used to open or close the tray.

## **Loading a Disc**

- 1. Press the eject button to open the tray.**
- 2. Carefully place the disc, label-side up, on the disc tray.**
- 3. Press the disc tray softly or press the eject button again to close the disc tray.**



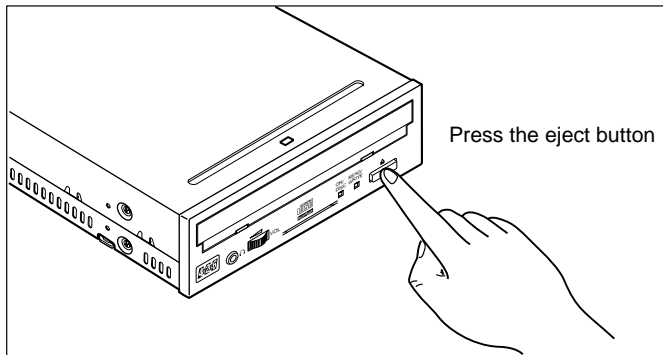
## Ejecting the Disc

**If the CRW4001t is powered on:**

Press the eject button to eject the disc.

**Note:** *You cannot eject the disc if the ATAPI command prohibits the eject operation while the CRW4001t is reading data.*

**Caution:** *Be sure to remove the disc after it is completely ejected. (Trying to remove the disc before it is completely ejected may cause the drive to malfunction.)*



**If the CRW4001t is not powered on:**

Pressing the eject button will not eject the disc.

## Troubleshooting

If CRW4001t is not performing as expected, look up the symptoms in the following table, and take the appropriate corrective action.

<b>Symptoms</b>	<b>Corrective action</b>
The power to the CRW4001t is off	<ul style="list-style-type: none"><li>• Check the DC power cable connection.</li></ul>
The CRW4001t is not recognized by the computer	<ul style="list-style-type: none"><li>• Check the IDE interface connector connection.</li><li>• Is the MASTER/SLAVE setting correct?</li><li>• If there is only one device connected to the IDE interface connector, is it connected to the end of the connector?</li></ul>
The disc tray will not open	<ul style="list-style-type: none"><li>• Make sure that the power to the drive is turned on.</li></ul>
The disc ejects	<ul style="list-style-type: none"><li>• Make sure that the disc is seated in the tray correctly.</li></ul>
Incorrect operation	<ul style="list-style-type: none"><li>• Make sure that the disc is seated in the tray correctly.</li><li>• Make sure that you are using the correct disc.</li><li>• Make sure that there is no dust, dirt, or condensation on the disc or tray.</li></ul>

---

## Specifications

Interface	ATAPI/IDE	
Data Capacity	1.2m/sec: 666MB 1.4m/sec: 540MB	
Record/Read Speed	Writing (CD-RW): 2X speed Writing (CD-R): Normal speed, 2X speed, 4X speed Reading: Normal speed, 2X speed, 4X speed, 6X speed	
Data Transfer Rate	6xS: 900KB/sec 4xS: 600KB/sec 2xS: 300KB/sec 1xS: 150KB/sec	
Burst Transfer Rate	5.5MB/sec	
Buffer Size	2MB (500 sectors)	
Access Speed	250ms	
Installation	Horizontal	
Disc Loading	Tray	
Audio Out (normal speed)	Frequency Response	20 - 20,000Hz (Line Out)
	Output Level	1 Vrms (Line Out)
Power Consumption	11W (read/write)	
Power Supply	5V ±5%, 12V ±10%	
Environment	Temperature: +5°C - +40°C (read/write, when used in a fan-cooled system) Humidity: 25 - 80%	
Dimensions (WxHxD)	146 x 41.3 x 203 mm	
Weight	1.3kg	

<b>Rear Panel</b>	<b>Connector</b>
IDE/Power Supply	Non-shielded two-in-one, 40p + 4p
MASTER/SLAVE/CSEL Selector	Short-pin 6p
Audio Out	MOLEX 53532-04

Specifications are subject to change without prior notice.

## Front Panel Indicator Key

- on: green                      ◆ flashing: green            — off  
 ○ on: orange                    ◇ flashing: orange

Status	ON/DISC	Read/Write
Reset	○ ■■ —	○ ■■ —
Ready (no disc)	○	—
Inserting disc	◇ ■■ ◆	—
Ejecting disc	◇	—
Ready (disc inserted)	●	—
Seeking	●	◆
Preparing to write	●	◇
Writing	●	○
Writing (test mode)	●	◇
Playback	●	●

# YAMAHA

English: If you have any questions, please contact your dealer or one of the following companies.

French: Pour plus de détails sur les produits, veuillez vous adresser à Yamaha ou au distributeur le plus proche figurant dans la liste suivante :

German: Bei weiteren Fragen wenden Sie sich Bitte an Ihren Händler oder eine der folgenden Firmen.

## JAPAN

Yamaha Corporation  
Electronic Systems Division  
203 Matsunokijima, Toyooka-mura, Iwata-gun,  
Shizuoka-ken, 438-01 JAPAN  
TEL: +81 539 62 3125  
FAX: +81 539 62 5346  
Internet: [www.yamaha.co.jp](http://www.yamaha.co.jp)

## U.S.A

Yamaha Systems Technology, Inc.  
100 Century Center Court, San Jose, CA 95112  
U.S.A  
TEL: +1 408 467 2330  
FAX: +1 408 437 8791  
Internet: [www.yamahayst.com](http://www.yamahayst.com)

## CANADA

Yamaha Canada Music Ltd.  
135 Milner Avenue, Scarborough,  
Ontario M1S 3R1, CANADA  
TEL: +1 416 298 1311  
FAX: +1 416 292 0732

## UNITED KINGDOM, BENELUX, PORTUGAL, SPAIN, GREECE, CYPRUS, TURKEY and EGYPT

Yamaha-Kemble Music (U.K.) Ltd.  
Media Technology Division  
Sherbourne Drive, Tilbrook, Milton Keynes  
MK7 8BL ENGLAND  
TEL: +44 1 908 366700  
FAX: +44 1 908 368872

## GERMANY, SWITZERLAND, AUSTRIA, EASTERN EUROPE and RUSSIA

Yamaha Europa GmbH  
Multi Media Division  
Siemensstrasse 22-34,  
D-25462 Rellingen, GERMANY  
TEL: +49 4101 303 200  
FAX: +49 4101 303 277  
Internet: [www.yamaha-europe.com](http://www.yamaha-europe.com)

## FRANCE

Yamaha Musique France S.A.  
B.P. 70, 77312 Marne-la Vallée Cedex 2,  
FRANCE  
TEL: +33 1 6461 4060  
FAX: +33 1 6461 4097

## ITALY

Yamaha Musica Italia s.p.a.  
Keyboard & Multimedia Division  
Viale Italia 88, 20020, Lainate (Milano) ITALY  
TEL: +39 2 935771  
FAX: +39 2 9370956

## SWEDEN and SCANDINAVIA

Yamaha Scandinavia AB  
J A Wettergrens Gate 1, Box 300 53,  
S-400 43 Gothenburg SWEDEN  
TEL: +46 31 89 34 00  
FAX: +46 31 45 96 07  
Internet: [www.yamaha.se](http://www.yamaha.se)

## SINGAPORE, MALAYSIA, INDIA, INDONESIA and PHILIPPINES

Yamaha Systems Technology, Singapore Pte Ltd.  
138 Cecil Street, #03-01A Cecil Court,  
SINGAPORE 069538  
TEL: +65 225 0050  
FAX: +65 225 3669

YAMAHA CORPORATION  
Electronic Systems Division