

# G3213E

## 2MP 30M IR Bullet IP Camera

Ingrasys G3213E is a economic-series 2MP bullet type IP camera which comes with H.264/MPEG-4/MJPEG compression and offers excellent video quality with up to 30fps @ 1080p full HD. In order to adapt to light changes during day and night, the G3213E is equipped with a removable IR-cut filter and 30M IR illuminator for superior image quality around the clock. For protection against harsh outdoor environments, the camera comes with IP66 rated housing to withstand rain and dust. With other advanced features such as triple power supply, microSD/SDHC card slot for on-board storage, and Ingrasys's free bundled 32CH software, the G3213E is indisputably the best choice for outdoor environments.

### Features

- Day and night function with mechanical IR cut filter
- Built-in IR illuminators, IR effective distance up to 30M
- Supports H.264, MPEG-4 and MJPEG triple codec compression with triple streams
- Up to 30fps @ 1920 x 1080
- Triple power supply: Built-in 802.3af Compliant PoE, DC-12V and AC-24V
- Built-in Micro SD card slot for local storage
- IP66 rated waterproof housing
- Support ONVIF standard to ensure interoperability

## Technical Specifications

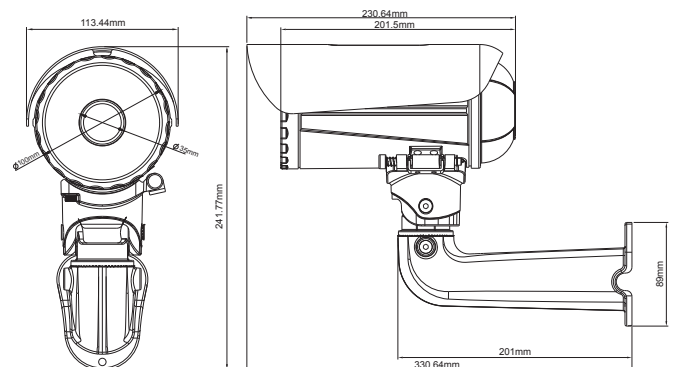
Type of Camera	
Model No.	G3213E-F12
Description	2MP Full HD 30M IR Bullet IP Camera
System Information	
Processor	ARM based 32-Bit RISC Processor
Flash	16MB
RAM	256MB
Real Time Clock	Yes
Camera	
Image Sensor	1/2.7" 2MP progressive CMOS sensor
Maximum Resolution	1920 x 1080
Lens Type	CS mount, Fixed IRIS
Focal Length	f=12mm
Aperture	F1.8
Field of View	H=25.8°, V=19.3°, D=28.4°
IR Distance	Effective up to 30 meters (98.43ft.) with uniformity lighting
IR LED	850nm, IR LED x 42
D/N Control	Auto Mode, Day Mode, Night Mode With removable IR cut filter (ICR)
Min Illumination	IR LED OFF (Color): 0.5Lux IR LED ON (Mono): 0 Lux
Shutter Time	1/7 sec. to 1/30,000 sec.
Video	
Video Compression	H.264/MPEG4/MJPEG
Maximum Video Stream	3 simultaneous streams
Maximum Frame Rate	H.264: 30fps@1920 x 1080 MPEG4: 10fps@1920 x 1080 MJPEG: 30fps@1920 x 1080
Bit Rate Mode	Constant Bit Rate (CBR) Variable Bit Rate (VBR) bit rate control Enhance CBR (ECBR) Enhance VBR (EVBR)
Image Orientation	Mirror, Flip
Image Setting	Exposure Mode: Auto/Manual White Balance Mode: Auto/Fixed Gain Mode: Auto/Manual Configurable Sharpness, Saturation, Brightness, Contrast with 17 levels (0-16)
Privacy Mask	Support 8 privacy mask zones
OSD	Time Stamp and Text caption overlay
Analog Video Port	BNC connector, 1.0Vp-p, 75Ω
Analog Video Format	NTSC: 720 x 480@30fps; PAL: 720 x 576@25fps
Audio	
Audio In	Support external microphone input
Audio Out	Support line out
Compression	G.711 PCM 8kHz
Two Ways Audio	Full-duplex
Network	
Users	Live view for up to 4 clients
Ethernet	10Base-T/100Base-TX
ONVIF	Supported
Supported Protocols	IPv4, IPv6, HTTP, HTTPS, SMTP, FTP, DHCP, NTP, TCP/IP, UPnP, RTSP/RTCP/RTMP, DNS, DDNS, PPPoE, IGMP, QoS, Bonjour, Samba, Multicast

### Notice

- ©2014 Ingrasys Tech Inc. The Ingrasys trademark is registered by Ingrasys Tech Inc. All rights reserved. Specifications are subject to change without notice. No parts or contents of this Datasheet may be reproduced or transmitted in any form or by any means without permission from Ingrasys.
- Not all models featured are available in all countries.
  - For accessories and other product information, please visit <http://www.ingrasys.com>
  - Safety precaution: carefully read the operating instructions and installation manual before using this product.
  - Weights and dimensions are approximate.
  - These products may be subject to export control regulations.
  - The above all photographs were taken for the purpose of explanation; actual images may differ.
  - This Datasheet is designed and printed in Taiwan.

Local Storage	
Memory Card	Micro SD/Micro SDHC Card up to 32GB
Store Category	Stores snapshots and video clips
Event Management	
Event Triggers	Motion detection, Manual trigger, External alarm, Network fail, Periodically trigger, Audio detection, Tamper detection
Event Actions	File upload via FTP, SMTP, SAMBA and SD Card Notification via FTP, email and external output activation Video and audio recording to SD Card or SAMBA
I/O Connectors & Indicators	
Network Connector	RJ-45
Power Input	PoE (IEEE 802.3af class 3), DC 12V (Ø 5.5mm power jack), AC 24V (power terminal IO)
Power Consumption	12W max
LED Indicator	x1 Networking status (Green & Yellow)
Alarm Port	Terminal block x1 In/ x1 Out
Audio In/Out	3.5mm Phone Jack x1 In / x1 Out
Analog Video Out	Video out x1, BNC video out
Reset	Reset on terminal IO
Memory Card	Micro SD/SDHC card slot
General	
Weight	Net: 1300g (2.87lb)
Dimension (W x H) (w/o bracket)	3.94" x 7.93"/ 100mm x 201.5mm
Operating Temperature	-10°C ~ 50°C (14°F ~ 122°F)
Storage Temperature	-20°C ~ 60°C (-4°F ~ 140°F)
Operating Humidity	20% ~ 90% RH
Certifications	CE, FCC (class A), LVD
OS	Microsoft Windows XP/Vista/7/2K
Browser	Microsoft IE 8.0 or above, Chrome, Firefox, Safari
Other Value-added Features	
Software	Free bundled 32CH software
WDR	Digital WDR with 8 configurable levels
Water Resistant	IP66
ROI	Yes
Package Contents	
Component	1 x Wall Mount Bracket and screw pack 1 x Quick Installation Guide (QIG) 1 x Warranty Card 1 x Product CD (Camera discovery tool, User's manual, Recording software) 1 x Power adaptor (Option)

\* Specifications are subject to change without notice.



### Distributed by

