

# Vestel User Guide

The following guide should help you obtain the part numbers for Vestel manufactured products. For this example we will use washing machine model A126Q serial number 00624053002417660159. First you need to select 'washing machine' from the menu on the left hand side of the home page (fig 1)

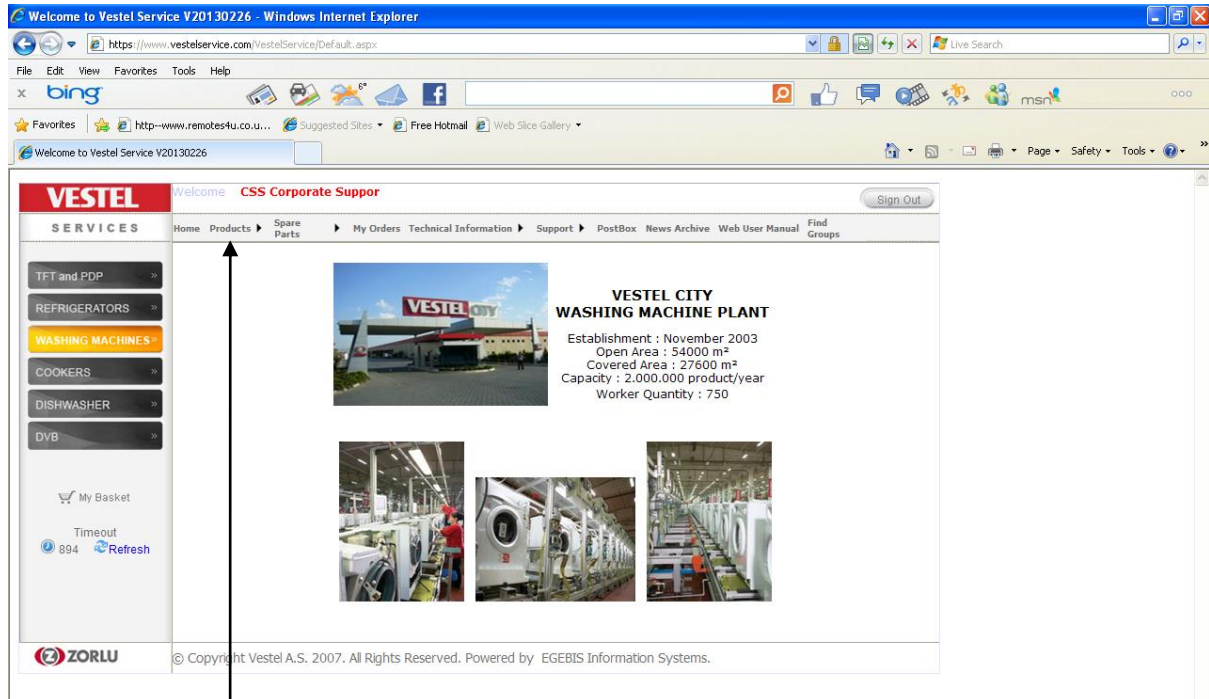


fig 1

Then go to 'products' on the top menu and select 'product search'

The easiest and most accurate way of finding the correct model is searching by serial number (fig 3)

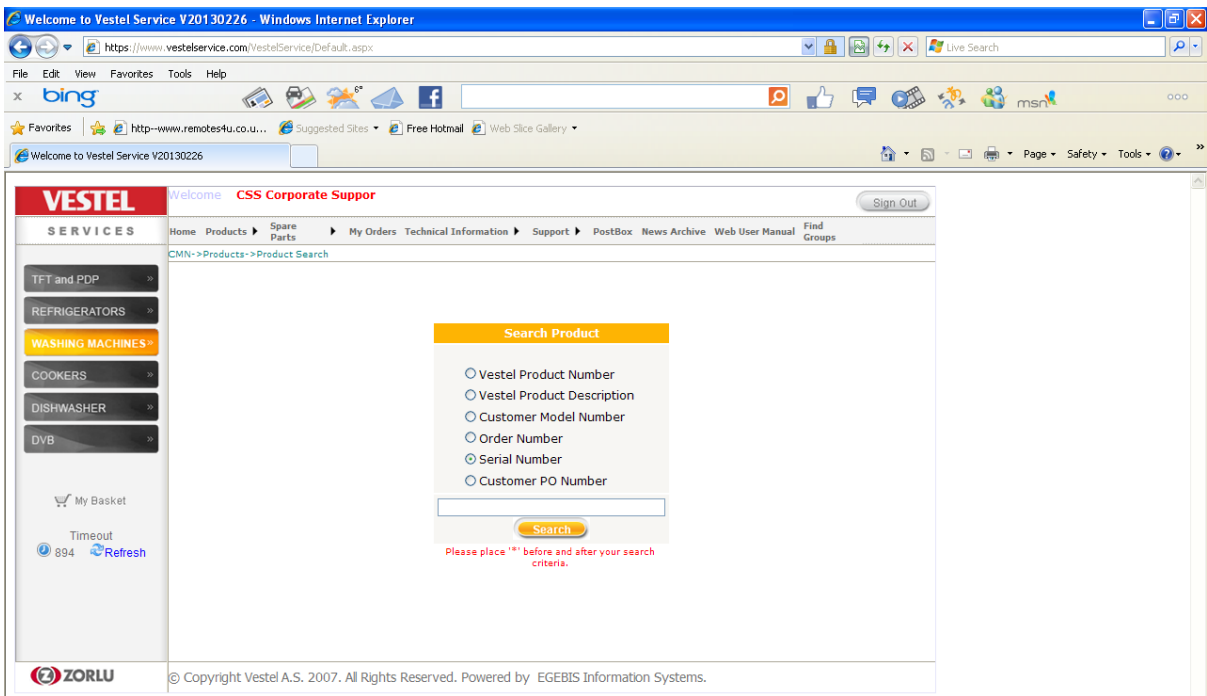


Fig 3

This will take you directly to the full parts list. Some of the parts are listed in groups and these need to be expanded to find the correct part number. This can be done by clicking the small yellow plus sign next to the group name or the whole list can be expanded by selecting expand all (fig 4). There are parts that cannot be ordered and these will not have a box in the select column. The part numbers are listed in the component column and all parts should be set up in the JTM system. If this isn't the case then this can be quickly set up by calling the spares line (0191 3870778) and speaking to a member of the team.

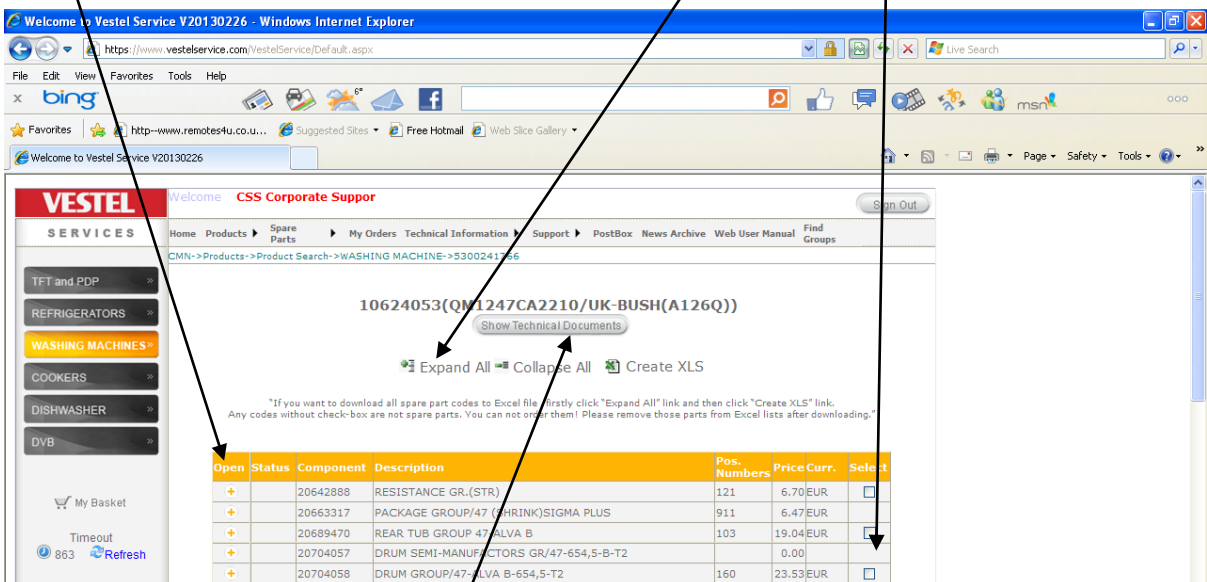
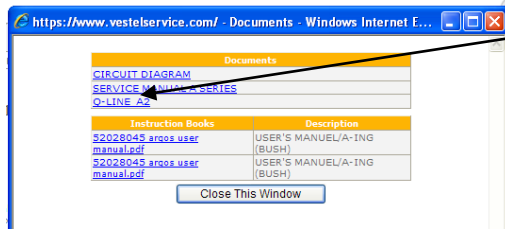


fig 4

Vestel's terminology for parts seems to differ from other manufacturers so to help identify the parts you can select the 'show technical documents' tab situated just under the model details. This will

open a page in a new window and from here you can select the service manual, user manual, circuit diagram and the exploded views.

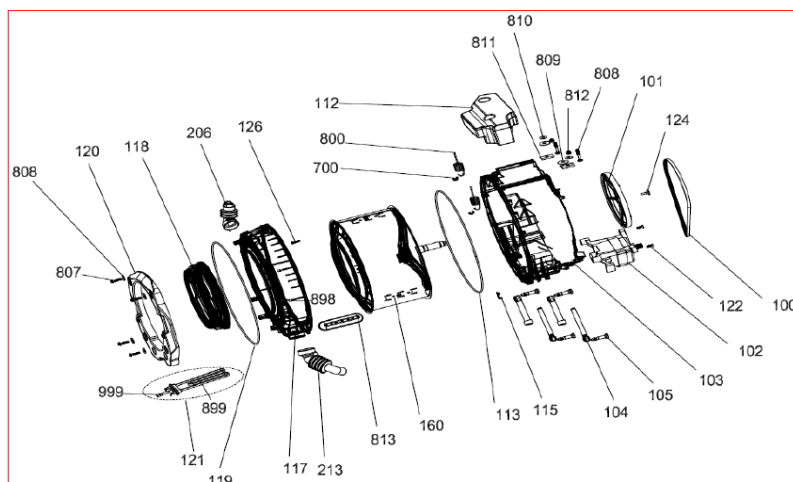
Please note the exploded views often have a name you will not recognise, in this case 'Q-LINE A2'



The exploded views that Vestel use often relate to a few different models so not everything on the diagrams will relate to the model in question. The location numbers will match those on the parts list though. So for example if drum paddles were required for this appliance they are on the exploded view under location 813, part 42002592.

Open	Status	Component	Description	Pos. Numbers	Price	Curr.	Select
+		20642888	RESISTANCE GR.(STR)	121	6.70	EUR	<input type="checkbox"/>
+		20663317	PACKAGE GROUP/47 (SHRINK)SIGMA PLUS	911	6.47	EUR	<input type="checkbox"/>
+		20689470	REAR TUB GROUP 47-ALVA B	103	19.04	EUR	<input type="checkbox"/>
+		20704057	DRUM SEMI-MANUFACTORS GR/47-654,5-B-T2		0.00		<input type="checkbox"/>
+		20704058	DRUM GROUP/47-ALVA B-654,5-T2	160	23.53	EUR	<input type="checkbox"/>
	✓	37000513	COUNTERSUNK HEAD BOLT M6X22 TORX INOX	126	0.47	EUR	<input type="checkbox"/>
	▶	42002592	PLASTIC LIFTER 180	813	0.28	EUR	<input type="checkbox"/>
+		20706990	NAME PLATE/1247-BUSH(A126Q)		0.14	EUR	<input type="checkbox"/>
+		20706991	PACKING+BARKOD LABEL/1247-BUSH(A126Q)		0.14	EUR	<input type="checkbox"/>
+		20712199	SPECIAL LABEL/BUSH		0.06	EUR	<input type="checkbox"/>
+		20727715	PACKING LABEL(BUSH_A126Q)		0.14	EUR	<input type="checkbox"/>
+		20737787	BODY GROUP PAINTED/47(ALVA)0,7-W.COV	1	12.38	EUR	<input type="checkbox"/>
+		20737953	SPRING HANGER SHEETIRON GR(ALVA-1B)42/47	895	1.86	EUR	<input type="checkbox"/>
+		20742810	FR.PAN.GR. PAINT./S.PLUS-440-0,7-B-M5	3	4.89	EUR	<input type="checkbox"/>
+		20767726	ELEC_CARD A2-531876F02000-PCB-3-REMEPS	412	11.76	EUR	<input type="checkbox"/>
+		20779357	UPPER SUPPORT BRACKET(DKP)G-DX51D	24	0.74	EUR	<input type="checkbox"/>

### WASHING GROUP PARTS



Once identified the parts can then be ordered through the JTM portal in the usual way.