



Sintrol Snifter A1+

Manual

Version 1.2.2

Table of Contents

1	INTRODUCTION	3
1.1	Safety	3
1.2	Product overview	3
1.3	How does it work?	3
2	INSTALLATION	4
2.1	Selecting the installation location.....	4
2.2	Installing the sensor	5
3	WIRING	6
4	TECHNICAL SPECIFICATION.....	7
5	DIMENSIONS	9
6	OPERATION	10
6.1	The alarm threshold factory setting values:	10
7	AUTO-SETUP.....	12
7.1	How to do the auto-setup?	12
8	MAINTENANCE	13
9	TROUBLESHOOTING.....	13
9.1	No output signal.....	13
9.2	No response after auto-setup.....	13
9.3	Boot check.....	13

1 INTRODUCTION

This manual describes how to install and use SINTROL's Snifter A1+ dust monitor. Sintrol shall not be liable for any loss or damage whatsoever arising from use of any information or details therein, or omission or error in this manual, or any misuse of the product.

1.1 *Safety*

Snifter A1+ requires 12 - 24 VDC power supply. Although these voltage levels are considered safe, the process gas or dust particulates can be hazardous to health.



Take appropriate precautions when installing the monitor:

Unless the process conditions are known to be entirely safe, suitable precautions must be taken before any entry is made into the duct for installation or maintenance purposes.

- The unit may be installed in ducting, containing particulate, hazardous to health.
- The particulate may be inflammable, explosive or toxic
- The gas can be hot and pressurised

1.2 *Product overview*

The Snifter A1+ Dust monitor is a microprocessor-based, self-adjusting device, equipped with two fixed output signal and backlit illuminated front cover.

Device is designed for filter bag leak detection. It is a compact unit with the sensor and control electronics built into one IP65 enclosure, which has been specifically designed for easy installation and operation.

1.3 *How does it work?*

The Snifter A1+ uses Sintrol's proven and reliable inductive electrification technology where the interaction of particles with the sensor rod causes a small electrical charge to pass between the particulate and sensor.

It is this small electric charge that provides the signal monitored by the electronics, the signal generated is proportional to the dust level even if particles accumulate on the sensor. Experience has shown that this method of monitoring dust level in gasses, offers accurate results with minimum maintenance.

2 INSTALLATION

2.1 *Selecting the installation location*

The best location for installation is in a section of duct where the particulate has an even distribution and the flow is as laminar as possible. This is to ensure that the sensor rod comes into contact with a representative flow of particles.

The ideal position would be in a section of duct that has no bends, valves, dampers or other obstructions for a distance equal to at least three duct diameters downstream or upstream (preferable 5 x duct diameter).

Description of installation is presented in Figure 1 Recommended distance to duct bends (D = Duct diameter).

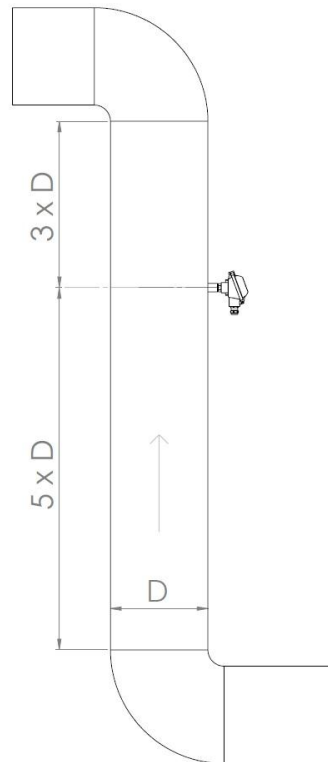


Figure 1 Recommended distance to duct bends (D = Duct diameter)

In some applications, a compromise must be made and the sensor will have to be fitted in a position that satisfies the majority of above requirements. The Snifter A1+ must be attached to metal ductwork so that the device will be electrically shielded from interference and has good ground reference.

1. The unit shall be installed in a position, where the gas flow passes the sensor rod in a 90° angle.
2. In round cross-section ducts, the unit can be installed in any position above the horizontal axis (between 9 o'clock and 3 o'clock). See Figure 2

3. For square cross-section ducts, the unit must be positioned in the middle of the top or in the middle of one of the sides. See Figure 3
4. Although the sensor is not affected by vibration, very high vibration levels should be avoided.
5. The units must not be installed in direct sunlight or in areas where the ambient temperature is above +40 °C.

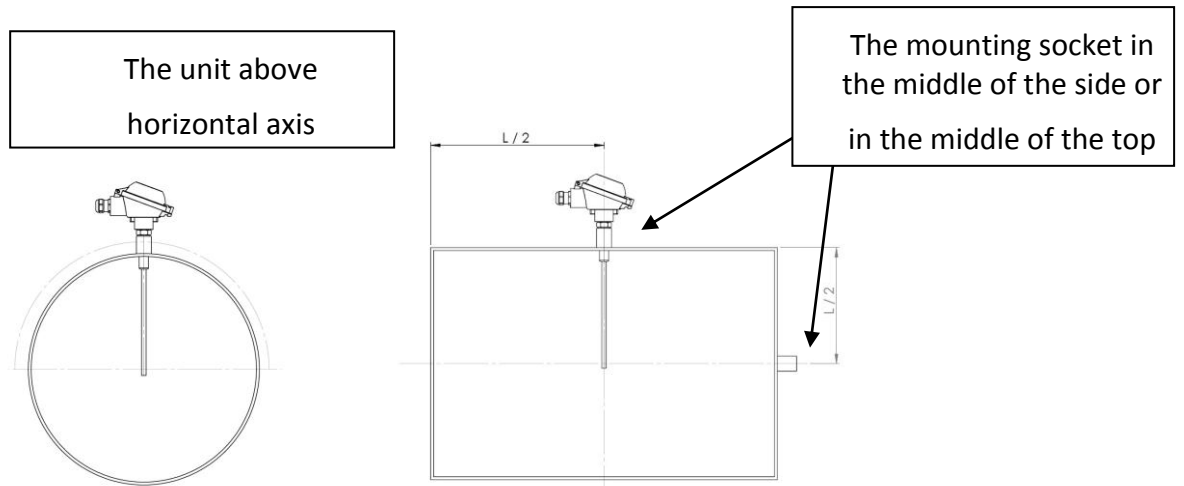


Figure 2 Round cross section duct

Figure 3 Square cross section duct

NOTE

The sensor must not contact the opposite wall or any other obstacle inside the duct. The only allowed interaction with sensor is dust particles.

2.2 *Installing the sensor*

Once the location of the unit has been selected, the Snifter A1+ with NPT 1/2" male thread can be installed to process with 1/2" female thread. Make sure the installation is in the right position, insert the sensor inside the adapter and rotate the Snifter until the connection is tight.

NOTE

Do not over tighten the Snifter A1+ with process connection - It may cause damage to sensor and electronics.

3 WIRING

The Snifter A1+ comes with two meter power and signal cable. There are 5 wires, two wires for VDC power source, two for alarm signals, and one for automatic setup signal.

Connect the VDC power supply to pink (+) and GND to gray (-) wires. Blue and red wires are for alarm signals and they give the same voltage levels as power input voltage, when the alarm latches to high state.

Wire colour	Signal name
BLUE	Alarm signal 1
RED	Alarm signal 2
GRAY	V- (GND)
PINK	V+ (VDC)
GREEN	Auto-setup

Table 1 Wiring and signals

4 TECHNICAL SPECIFICATION

Product name	Snifter A1+
Measurement Objects	Solid particles in a gas flow
Particle Size	0.3 µm or larger
Measurement Range	From 0.1 mg/m ³
Measurement Principle	Inductive Electrification
Protection Category	IP65
Sensor Length (total/measuring)	250 mm / 185 mm
Power Supply	12-24 VDC
Power Consumption	3 W
Cable Connection	2 meter cable, 5 wires
Process Connection	NPT 1/2" male thread
Output Signals	<ul style="list-style-type: none"> • Two output signals (100 – 280 mA) • Back light illuminated front cover
Alarm settings	Set automatically by auto-setup based on average measured dust flow: 5 times and 20 times of reference dust flow.

Process Conditions

Temperature	Max 250 °C
Pressure	Max 200 kPa
Gas Velocity	Min 3 m/s
Humidity	Max 95 % RH (non-condensing)

Ambient Conditions

Temperature	-20...+40 °C
Humidity	Max 95 % RH (non-condensing)

Materials and Weight

Probe (wetted part)	Stainless steel (AISI 316L)
Process Connection (wetted part)	Stainless steel (AISI 316L)
Enclosure	Aluminum
Probe Insulation (wetted part)	PEEK
Weight	0.6 kg

Table 2 Technical specification

5 DIMENSIONS

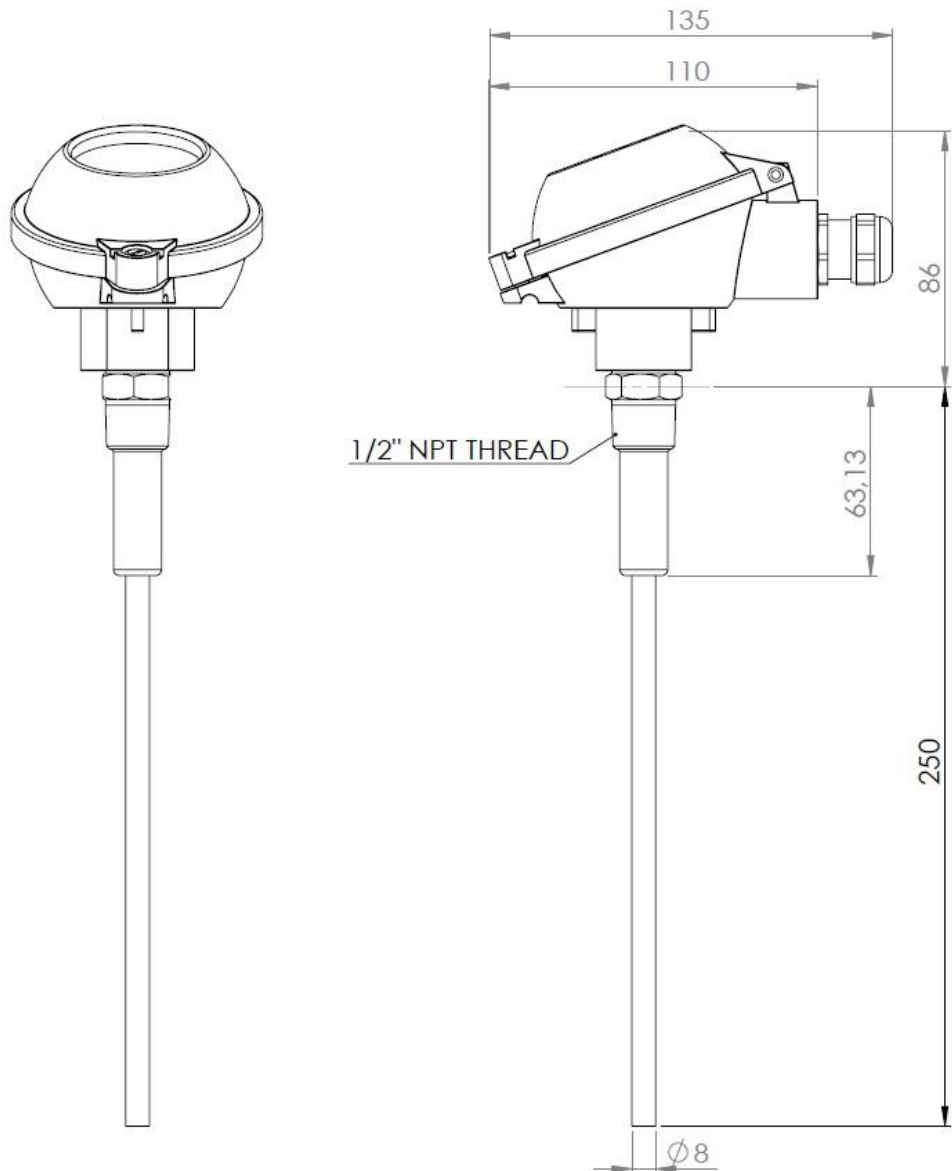



Figure 4 Structure and dimensions

This instrument conforms to the following standards

	<p>Product standard - electrical equipment for measurement, control and laboratory use – EMC requirements</p>	<p>Reference standard IEC 61326-1:2005 (First Edition)</p>
---	---	--

6 OPERATION

The Snifter A1+ Dust Monitor measures the dust level in a gas flow by using inductive electrification technology which is based on AC measurement of moving particles which carry a charge.

There are two alarm signal outputs to indicate two different alarm conditions. In addition to this, the front cover illumination will blink to inform about the current alarm condition.

6.1 The alarm threshold factory setting values:

Alert: > 5 times normal dust level (during automatic setup)
 Alarm: > 20 times normal dust level (during automatic setup)

ALARM SIGNALS	DUST LEVEL	FRONT COVER ILLUMINATION	OPERATION
S1: LOW S2: LOW	-	OFF	Power OFF, failure or auto-setup failed
S1: LOW S2: HIGH	Dust level < Limit1	ON	Normal operation
S1: HIGH S2: LOW	Limit1 <= Dust level < Limit2	BLINKING COUNT IS ONE (B)	Alert
S1: HIGH S2: HIGH	Dust level >= Limit 2	BLINKING COUNT IS TWO (C)	Alarm

Table 3 Default operating configuration on factory settings

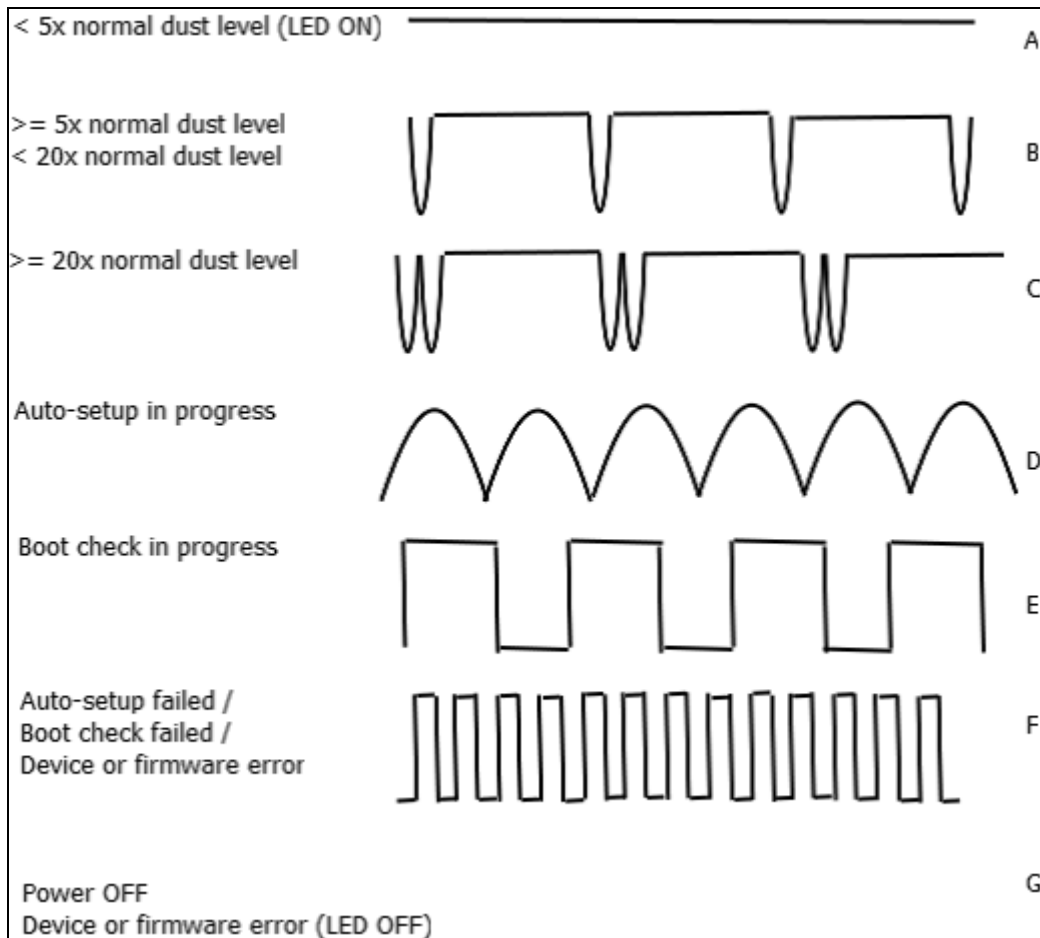


Figure 5 Description of Snifter A1+ cover illumination sequences.

7 AUTO-SETUP

To be able to detect variations in dust flow, and to set the alarm so that it will go off if there is excessive dust flow, you must determine the typical dust flow in the application when the process is operating normally.

The unit has an auto-setup function. With this, you can set the measuring range of the dust monitor.

Before running the auto-setup it is necessary to know that the process is running with normal dust flow. When initiated, auto-setup sets the dust measuring parameters based on the normal dust flow.

After the auto-setup the alarm signals are set as follows:

- alert when the dust concentration exceeds 5 times the typical dust level.
- alarm when the dust concentration exceeds 20 times typical dust level.

7.1 *How to do the auto-setup?*

Follow the procedure below to run the auto-setup.

1. Connect the sensor to the duct, connect the power to the device and wait for 10 minutes the process to stabilize.
2. Then start the auto-setup procedure by connecting the automatic setup signal (green wire) to the V+ signal (wire) for a period of 1 second. The automatic setup will initiate and the front panel light will start to blink slowly (sequence D in Figure 5 Description of Snifter A1+ cover illumination sequences.).
3. Then Release the automatic setup signal, by disconnecting the green wire from V+.

Auto-setup procedure takes 1000 seconds (approx. 17 min) to complete. When the front cover lighting stops blinking, the auto-setup is finished and the Snifter A1+ is ready for use.

8 MAINTENANCE

Snifter A1+ dust monitor needs very little or practically no maintenance. We recommend checking the status of the sensor after the first 2 months of operation. If no notable build-up of contamination can be observed, the recommended maintenance interval is 2 years.

However, if the particles in the gas are sticky and tend to build up, the cleaning needs to be done more often. The need for maintenance depends on the process.

The maintenance is done by removing the unit from the process and cleaning the sensor rod to prevent signal leakage to ground. Opening the enclosure during the maintenance is unnecessary and will terminate the warranty.

9 TROUBLESHOOTING

9.1 *No output signal*

- Check the power and signal wiring are connected correctly.
- Check that there is power on (cover glows).
- Do the auto-setup

If the monitor is not giving any output signal after these checks, contact your local distributor.

9.2 *No response after auto-setup*

- Check that there is normal process going on during auto-setup.
- Check that the power and signal wiring are connected correctly.
- Check that the signal is not leaking to ground.
 - There is NO contact between metal sensor probe and duct wall.
 - Ensure that the gas is not condensing (causes signal leakage).
 - Check that the sticky dust does not build up on the base of the sensor and no bridging between sensor probe and duct wall.

NOTE

Front cover illumination sequence F is on (10 Hz rate), when signal leaking to the ground is permanent.

9.3 *Boot check*

If green wire for starting automatic setup is connected before 15 seconds has elapsed from the power ON, boot check is initiated. Test takes some seconds and it is indicated with a sharply blinking front cover illumination sequence E (1 Hz rate).

If test fails, sequence F is initiated (10 Hz rate).

NOTES

SINTROL Oy
Ruosilantie 15
00390 Helsinki
Finland
Tel +358 9 5617 360
Fax +358 9 5617 3680
www.sintrolproducts.com