

# FESTOOL

*DELTEX*  
DX 93 E



## **Instruction manual**

Page 2 - 6

**IMPORTANT:** Read and understand all instructions before using.

## **Guide d'utilisation**

Page 7 - 11

**IMPORTANT:** Lire et comprendre toutes les instructions avant de démarrer les travaux.

## **Manual de instrucciones**

Página 12 - 16

**IMPORTANTE:** Lea y comprende todas las instrucciones antes de usar.

## Table of contents

|  |          |
|--|----------|
| <b>General Safety Rules</b>                | <b>2</b> |
| <b>Health hazard by dust</b>               | <b>3</b> |
| <b>Technical data</b>                      | <b>3</b> |
| <b>Symbols</b>                             | <b>3</b> |
| <b>Intended use</b>                        | <b>3</b> |
| <b>Electrical connections and starting</b> | <b>3</b> |
| Electronics                                | 4        |
| Metalworking                               | 4        |
| <b>Tool settings</b>                       | <b>4</b> |
| Dust extraction                            | 4        |
| Sanding pad                                | 4        |
| Abrasive                                   | 4        |
| <b>Systainer</b>                           | <b>5</b> |
| <b>Maintenance and care</b>                | <b>5</b> |
| <b>Accessories, tools</b>                  | <b>5</b> |
| <b>Warranty</b>                            | <b>5</b> |
| Conditions of 1+2 Warranty                 | 5        |
| Festool Limited Warranty                   | 5        |

## General Safety Rules

**⚠️ WARNING** Read and understand all instructions. Failure to follow all instructions listed below may result in electric shock, fire and/or serious personal injury.

### SAVE THESE INSTRUCTIONS

#### 1) Work area safety

- a) Keep work area clean and well lit.** Cluttered and dark areas invite accidents.
- b) Do not operate power tools in explosive atmospheres, such as in the presence of flammable liquids, gases or dust.** Power tools create sparks which may ignite the dust or fumes.
- c) Keep children and bystanders away while operating a power tool.** Distractions can cause you to lose control.

#### 2) Electrical safety

- a) Power tool plugs must match the outlet. Never modify the plug in any way. Do not use any adapter plugs with earthed (grounded) power tools.** Unmodified plugs and matching outlets will reduce risk of electric shock.
- b) Avoid body contact with earthed or grounded surfaces such as pipes, radiators, ranges and refrigerators.** There is an increased risk of electric shock if your body is earthed or grounded.

**c) Do not expose power tools to rain or wet conditions.** Water entering a power tool will increase the risk of electric shock.

**d) Do not abuse the cord. Never use the cord for carrying, pulling or unplugging the power tool. Keep cord away from heat, oil, sharp edges or moving parts.** Damaged or entangled cords increase the risk of electric shock.

**e) When operating a power tool outdoors, use an extension cord suitable for outdoor use.** Use of a cord suitable for outdoor use reduces the risk of electric shock.

#### 3) Personal safety

**a) Stay alert, watch what you are doing and use common sense when operating a power tool. Do not use a power tool while you are tired or under the influence of drugs, alcohol or medication.** A moment of inattention while operating power tools may result in serious personal injury.

**b) Use safety equipment. Always wear eye protection.** Safety equipment such as dust mask, non-skid safety shoes, hard hat, or hearing protection used for appropriate conditions will reduce personal injuries.

**c) Avoid accidental starting. Ensure the switch is in the off position before plugging in.** Carrying power tools with your finger on the switch or plugging in power tools that have the switch on invites accidents.

**d) Remove any adjusting key or wrench before turning the power tool on.** A wrench or a key left attached to a rotating part of the power tool may result in personal injury.

**e) Do not overreach. Keep proper footing and balance at all times.** This enables better control of the power tool in unexpected situations.

**f) Dress properly. Do not wear loose clothing or jewellery. Keep your hair, clothing and gloves away from moving parts.** Loose clothes, jewellery or long hair can be caught in moving parts.

**g) If devices are provided for the connection of dust extraction and collection facilities, ensure these are connected and properly used.** Use of these devices can reduce dust related hazards.

#### 4) Tool use and care

**a) Do not force the power tool. Use the correct power tool for your application.** The correct power tool will do the job better and safer at the rate for which it was designed.

**b) Do not use the power tool if the switch does not turn it on and off.** Any power tool that

cannot be controlled with the switch is dangerous and must be repaired.

**c) Disconnect the plug from the power source before making any adjustments, changing accessories, or storing power tools.** Such preventive safety measures reduce the risk of starting the power tool accidentally.

**d) Store idle power tools out of the reach of children and do not allow persons unfamiliar with the power tool or these instructions to operate the power tool.** Power tools are dangerous in the hands of untrained users.

**e) Maintain power tools. Check for misalignment or binding of moving parts, breakage of parts and any other condition that may affect the power tools operation. If damaged, have the power tool repaired before use.** Many accidents are caused by poorly maintained power tools.

**f) Keep cutting tools sharp and clean.** Properly maintained cutting tools with sharp cutting edges are less likely to bind and are easier to control.

**g) Use the power tool, accessories and tool bits etc., in accordance with these instructions and in the manner intended for the particular type of power tool, taking into account the working conditions and the work to be performed.** Use of the power tool for operations different from those intended could result in a hazardous situation.

## 5) Service

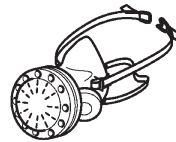
**a) Have your power tool serviced by a qualified repair person using only identical replacement parts.** This will ensure that the safety of the power tool is maintained.

### Health hazard by dust

**⚠ WARNING** Various dust created by power sanding, sawing, grinding, drilling and other construction activities contains chemicals known (to the State of California) to cause cancer, birth defects or other reproductive harm. Some examples of these chemicals are:

- lead from lead-based paints,
- crystalline silica from bricks and cement and other masonry products, and
- arsenic and chromium from chemically-treated lumber.

The risk from these exposures varies, depending on how often you do this type of work.



To reduce your exposure to these chemicals: work in a well ventilated area, and work with approved safety equipment, such as dust masks that are specially designed to filter out microscopic particles. Wash hands after handling.

**⚠ WARNING TO REDUCE THE RISK OF INJURY, USER MUST READ AND UNDERSTAND INSTRUCTION MANUAL.**

### Technical data

|                   |                             |
|-------------------|-----------------------------|
| Power consumption | 150 W                       |
| No load speed     | 5 000 - 9 700 rpm           |
| No. of strokes    | 10 000 - 19 400 spm         |
| Abrasive stroke   | 2.5 mm (0.1 in.)            |
| Weight            | 1.5 kg (3.3 lbs.)           |
| Safety            | ☐ UL 745, CSA C22.2 No. 745 |

### Symbols

|                |                        |
|----------------|------------------------|
| V              | Volts                  |
| A              | Amperes                |
| Hz             | Hertz                  |
| W              | Watt                   |
| ~              | Alternating current    |
| n <sub>0</sub> | No load speed          |
| ☐              | Class II Construction  |
| rpm            | Revolutions per minute |
| spm            | strokes per minute     |
| ∅              | Diameter               |

### Intended use

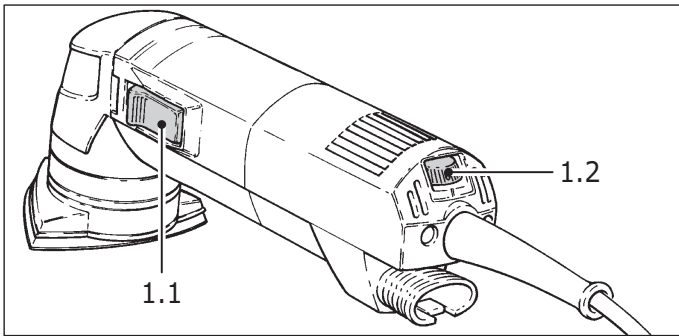
The Deltex sander can be used to smooth wood, plastics, metal, steel, composite materials, paint-lacquers, filler, stopper and similar materials. Thanks to the triangular shape of the sanding pad the machine is particularly suitable for processing tricky corners, edges and grooves.

If explosive or self-igniting dusts are produced during the sanding of certain materials the manufacturer's processing instructions must be observed.

**⚠ WARNING** The user is liable for damage and injury resulting from incorrect usage!

### Electrical connections and starting

**⚠ WARNING** The mains voltage must comply with the voltage specified on the ratings plate!



Push the switch (1.1) forwards to start the machine. A slight pressure on the rear of the switch is enough to switch the machine off.

When cold the machine may take a few minutes to reach maximum speed. This is due to its construction and is not serious.

## Electronics



When processing different surfaces it is helpful to adjust the sanding speed to the respective material.

The figures on the speed regulator (1.2) roughly correspond with the following idling speeds:

| strokes per min |        |   |        |
|-----------------|--------|---|--------|
| 1               | 10 000 | 4 | 15 400 |
| 2               | 11 800 | 5 | 17 200 |
| 3               | 13 600 | 6 | 19 400 |

## Metalworking

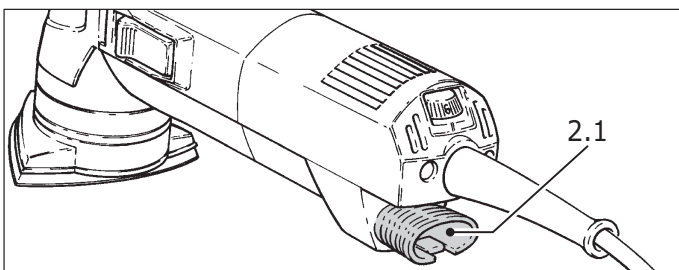
**⚠ WARNING** Observe the following safety precautions when working on metals:

- Pre-connect a residual current circuit-breaker (FI, PRCD).
- Connect the tool to a suitable dust extractor.
- Regularly clear out any dust accumulations in the motor housing.
- Wear protective goggles.

## Tool settings

**⚠ WARNING** Always remove the power plug from the socket before carrying out any work on the power tool.

## Dust extraction

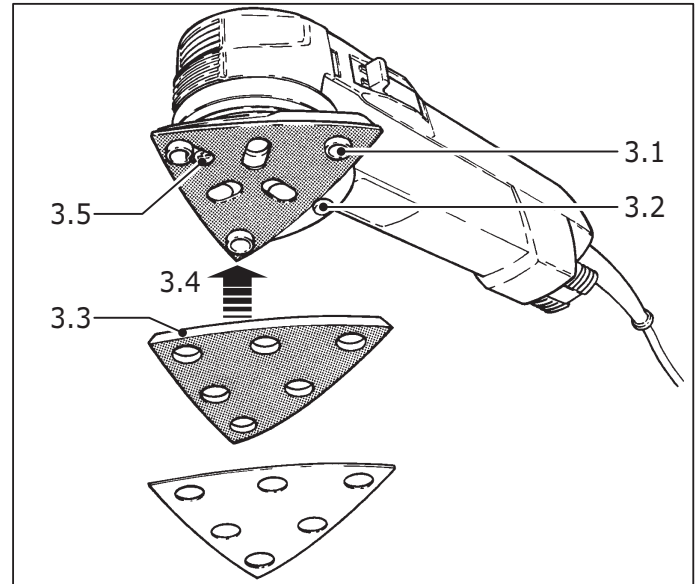


In order to draw off the dust produced during sanding the hose (Ø 27 mm) of a Festool dust extractor is attached to the suction adapter (1.2)

at the end of the motor casing. The sanding dust is then drawn off directly through the extractor channel in the sanding pad.

When working with wood or if materials are used which may produce harmful dusts the electrical tool should be connected to a suitable extractor.

## Sanding pad



The sanding pad is made of MPE foam (micro-cellular polyurethane elastomer) and has bevelled edges (3.3). It has a velour fabric on its top surface and a Stickfix covering on its underside. The velour side of the sanding pad is pressed against the Stickfix covering of the sanding base (3.4). The tool's sanding base has three centring protuberances (3.1) at its corners enabling easy adjustment.

### Please note:

The device has been specially developed for work in corners and on edges. Experience has shown that this leads to a more point-focal load on the tip of the sanding base. The heat generated is naturally higher than when working on the whole surface since the same pressure is applied to a smaller surface. Do not apply as much pressure since otherwise the Stickfix covering of the sanding pad and the abrasive quickly become damaged. If the Stickfix covering on the front tip of the sanding pad should become worn simply remove the sanding pad, rotate around 120° and replace.

If the Stickfix covering of the sanding base should become worn the complete base (487406) can be replaced. Simply loosen the two screws (3.2 and 3.5).

## Abrasive

Festool can offer perforated Stickfix abrasives in grain sizes from P 40 to P 400 for an effective

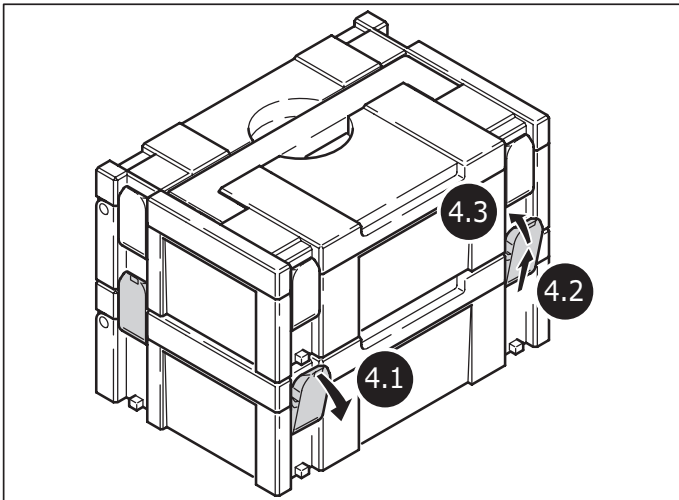
dust extraction. Order numbers can be found in the corresponding brochures.

The Stickfix abrasives are simply pressed onto the Stickfix sanding pad and pulled off after use.

If the front tip of the abrasive has become worn it can be removed from the sanding pad, rotated around 120° and replaced.

## Systainer

Many Festool products are shipped in a unique system container, called "Systainer". This provides protection and storage for the tool and accessories. The Systainers are stackable and can be interlocked together. They also can be interlocked atop Festool CT dust extractors.



- Place one systainer on top of the other.
- Release all four latches on the lower systainer by pulling back at their top edges (4.1).
- Slide all four latches upward (4.2).
- Snap all four latches back to their flat position (4.3) so they engage the stacking tabs of the upper systainer.

## Maintenance and care

**⚠ WARNING** Always disconnect the machine at its mains plug before performing maintenance work!

**⚠ WARNING** Any maintenance and repair work requiring the motor casing to be opened may only be carried out by an authorised service workshop.

The vent openings on the motor casing must always be kept clean and free to ensure a good circulation of air.

The device is fitted with self-disconnecting special brushes. If these become worn the power is automatically interrupted and the device comes to a standstill. Any maintenance and repair work requiring the motor casing to be opened may only be carried out by an authorised service workshop.

## Accessories, tools

**⚠ WARNING** For safety reasons, only use original Festool accessories and tools!

The accessory and tool order number can be found in the Festool catalog or on the Internet under [www.festool-usa.com](http://www.festool-usa.com).

## Warranty

### Conditions of 1+2 Warranty

You are entitled to a free extended warranty (1 year + 2 years = 3 years) for your Festool power tool. Festool shall be responsible for all shipping costs during the first year of the warranty. During the second and third year of the warranty the customer is responsible for shipping the tool to Festool. Festool will pay for return shipping to the customer using UPS Ground Service. All warranty service is valid 3 years from the date of purchase on your receipt or invoice.

### Festool Limited Warranty

This warranty is valid only on condition that the tool is used and operated in compliance with the Festool operating instructions. Festool warrants, only to the original consumer purchaser, that the specified tool will be free from defects in materials and workmanship for a term of one year from the date of procurement. Festool makes no other warranty, express or implied, for Festool portable power tools. No agent, representative, distributor, dealer or employee of Festool has the authority to increase or otherwise change the obligations or limitations of this warranty. The obligations of Festool in its sole discretion under this warranty shall be limited to the repair or replacement of any Festool portable power tool that is found to be defective as packaged with the User Manual.

Excluded from coverage under this warranty are: normal wear and tear; damages caused by misuse, abuse or neglect; damage caused by anything other than defects in material and workmanship. This warranty does not apply to accessory items such as circular saw blades, drill bits, router bits, jigsaw blades, sanding belts, and grinding wheels. Also excluded are "wearing parts", such as carbon brushes, vanes of air tools, rubber collars and seals, sanding discs and pads, and batteries.

Festool portable power tools requiring replacement or repair are to be returned with the receipt of purchase to Festool (call 800-554-8741 for address details).

**IN NO EVENT SHALL FESTOOL BE LIABLE FOR ANY CONSEQUENTIAL OR INCIDENTAL DAMAGES FOR BREACH OF THIS OR ANY OTHER WARRANTY, EXPRESSED OR IMPLIED WHATSOEVER. ALL WARRANTIES**

**IMPLIED BY STATE LAW, INCLUDING THE IMPLIED WARRANTIES OF MERCHANTABILITY AND FITNESS FOR A PARTICULAR PURPOSE, ARE HEREBY LIMITED TO THE DURATION OF THREE YEARS.**

Some states in the U.S. and some Canadian provinces do not allow the limitations on how long an implied warranty lasts, so the above limitation may not apply to you. With the exception of

any warranties implied by state or province law as hereby limited, the foregoing express limited warranty is exclusive and in lieu of all other warranties, guarantees, agreements and similar obligations of Festool.

This warranty gives you specific legal rights and you may also have other rights which vary from state to state in the U.S. and province to province in Canada.

## Fraise à tourillon Sommaire

|  |    |
|--|----|
| Règles de sécurité générales               | 7  |
| Risque sanitaire par la poussière          | 8  |
| Caractéristiques techniques                | 9  |
| Symbole                                    | 9  |
| Utilisation conforme                       | 9  |
| Raccordement électrique et mise en service | 9  |
| Electronic                                 | 9  |
| Traitement des métaux                      | 9  |
| Réglages de l'outil                        | 9  |
| Aspiration de la poussière                 | 9  |
| Semelle                                    | 10 |
| Abrasif                                    | 10 |
| Systainer                                  | 10 |
| Maintenance et entretien                   | 10 |
| Accessoires et outils                      | 11 |
| Garantie                                   | 11 |
| Conditions de la garantie (1+2 ans)        | 11 |
| Garantie limitée de Festool                | 11 |

## Règles de sécurité générales

**⚠️ AVERTISSEMENT** Assurez-vous de lire et de bien comprendre toutes les instructions. Le non-respect, même partiel, des instructions ci-dessous peut entraîner un risque de choc électrique, d'incendie et/ou de blessures graves.

### CONSERVEZ CES INSTRUCTIONS

#### 1) Sécurité de aire de travail

**a) Maintenez l'endroit de travail propre et bien éclairé.** Un lieu de travail en désordre ou mal éclairé augmente le risque d'accidents.

**b) N'utilisez pas l'appareil dans un environnement présentant des risques d'explosion et où se trouvent des liquides, des gaz ou poussières inflammables.** Les outils électroportatifs génèrent des étincelles risquant d'enflammer les poussières ou les vapeurs.

**c) Tenez les enfants et autres personnes éloignés durant l'utilisation de l'outil électroportatif.** En cas d'inattention vous risquez de perdre le contrôle sur l'appareil.

#### 2) Sécurité électrique

**a) La fiche de secteur de l'outil électroportatif doit être appropriée à la prise de courant. Ne modifiez en aucun cas la fiche. N'utilisez pas de fiches d'adaptateur avec des appareils avec mise à la terre.** Les fiches non modifiées

et les prises de courant appropriées réduisent le risque de choc électrique.

**b) Evitez le contact physique avec des surfaces mises à la terre tels que tuyaux, radiateurs, fours et réfrigérateurs.** Il y a un risque élevé de choc électrique au cas où votre corps serait relié à la terre.

**c) N'exposez pas l'outil électroportatif à la pluie ou à l'humidité.** La pénétration d'eau dans un outil électroportatif augmente le risque d'un choc électrique.

**d) N'utilisez pas le câble à d'autres fins que celles prévues, n'utilisez pas le câble pour porter l'appareil ou pour l'accrocher ou encore pour le débrancher de la prise de courant. Maintenez le câble éloigné des sources de chaleur, des parties grasses, des bords tranchants ou des parties de l'appareil en rotation.** Un câble endommagé ou torsadé augmente le risque d'un choc électrique.

**e) Au cas où vous utiliseriez l'outil électroportatif à l'extérieur, utilisez une rallonge autorisée homologuée pour les applications extérieures.** L'utilisation d'une rallonge électrique homologuée pour les applications extérieures réduit le risque d'un choc électrique.

### 3) Sécurité des personnes

**a) Restez vigilant, surveillez ce que vous faites. Faites preuve de bon en utilisant l'outil électroportatif. N'utilisez pas l'appareil lorsque vous êtes fatigué ou après avoir consommé de l'alcool, des drogues ou avoir pris des médicaments.** Un moment d'inattention lors de l'utilisation de l'appareil peut entraîner de graves blessures sur les personnes.

**b) Portez des équipements de protection. Portez toujours des lunettes de protection.** Le fait de porter des équipements de protection personnels tels que masque anti-poussières, chaussures de sécurité antidérapantes, casque de protection ou protection acoustique suivant le travail à effectuer, réduit le risque de blessures.

**c) Evitez une mise en service par mégarde. Assurez-vous que l'interrupteur est effectivement en position d'arrêt avant de retirer la fiche de la prise de courant.** Le fait de porter l'appareil avec le doigt sur l'interrupteur ou de brancher l'appareil sur la source de courant lorsque l'interrupteur est en position de fonctionnement, peut entraîner des accidents.

**d) Enlevez tout outil de réglage ou toute clé avant de mettre l'appareil en fonctionnement.** Une clé ou un outil se trouvant sur une partie en rotation peut causer des blessures.

**e) Ne surestimez pas vos capacités. Veillez à garder toujours une position stable et**

**équilibrée.** Ceci vous permet de mieux contrôler l'appareil dans des situations inattendues.

**f) Portez des vêtements appropriés. Ne portez pas de vêtements amples ni de bijoux. Maintenez cheveux, vêtements et gants éloignés des parties de l'appareil en rotation.** Des vêtements amples, des bijoux ou des cheveux longs peuvent être happés par des pièces en mouvement.

**g) Si des dispositifs servant à aspirer ou à recueillir les poussières doivent être utilisés, vérifiez que ceux-ci soient effectivement raccordés et qu'ils sont correctement utilisés.** L'utilisation de tels dispositifs réduit les dangers dus aux poussières.

#### 4) Utilisation et entretien des outils

**a) Ne surchargez pas l'appareil. Utilisez l'outil électroportatif approprié au travail à effectuer.** Avec l'outil électroportatif approprié, vous travaillerez mieux et avec plus de sécurité à la vitesse pour laquelle il est prévu.

**b) N'utilisez pas un outil électroportatif dont l'interrupteur est défectueux.** Un outil électroportatif qui ne peut plus être mis en ou hors fonctionnement est dangereux et doit être réparé.

**c) Retirez la fiche de la prise de courant avant d'effectuer des réglages sur l'appareil, de changer les accessoires, ou de ranger l'appareil.** Cette mesure de précaution empêche une mise en fonctionnement par mégarde.

**d) Gardez les outils électroportatifs non utilisés hors de portée des enfants. Ne permettez pas l'utilisation de l'appareil à des personnes qui ne se sont pas familiarisées avec celui-ci ou qui n'ont pas lu ces instructions.** Les outils électroportatifs sont dangereux lorsqu'ils sont utilisés par des personnes non initiées.

**e) Prenez soin des outils électroportatifs. Vérifiez que les parties en mouvement fonctionnent correctement et qu'elles ne soient pas coincées, et contrôlez si des parties sont cassées ou endommagées de telle sorte que le bon fonctionnement de l'appareil s'en trouve entravé. Faites réparer les parties endommagées avant d'utiliser l'appareil.** De nombreux accidents sont dus à des outils électroportatifs mal entretenus.

**f) Maintenez les outils de coupe aiguisés et propres.** Des outils soigneusement entretenus

avec des bords tranchants bien aiguisés se coincent moins souvent et peuvent être guidés plus facilement.

**g) Utilisez les outils électroportatifs, les accessoires, les outils à monter etc. conformément à ces instructions et aux prescriptions en vigueur pour ce type d'appareil. Tenez compte également des conditions de travail et du travail à effectuer.** L'utilisation des outils électroportatifs à d'autres fins que celles prévues peut entraîner des situations dangereuses.

#### 5) Entretien et réparation

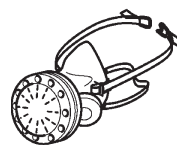
**a) Ne faites réparer votre outil électroportatif que par un personnel qualifié et seulement avec des pièces de rechange d'origine.** Ceci permet d'assurer la sécurité de l'appareil.

#### Risque sanitaire par la poussière

**⚠AVERTISSEMENT** Certaines poussières créées par le ponçage mécanique, le sciage, le meulage, le perçage et autres activités reliées à la construction contiennent des substances chimiques connues (dans l'État de la Californie) comme pouvant causer le cancer, des anomalies congénitales ou représenter d'autres dangers pour la reproduction. Voici quelques exemples de telles substances:

- Plomb provenant de peintures à base de plomb,
- Silice cristallisée utilisée dans les briques, le ciment et autres matériaux de maçonnerie, et
- Arsenic et chrome du bois d'œuvre traité avec un produit chimique.

Le risque d'exposition à de tels produits varie selon la fréquence à laquelle vous faites ce genre de travail.



Pour réduire les risques d'exposition à ces substances chimiques: travaillez dans un endroit adéquatement ventilé et utilisez un équipement de sécurité approuvé, tel que masques antipoussières spécialement conçus pour filtrer les particules microscopiques. Lavez-vous les mains après utilisation.

**⚠AVERTISSEMENT POUR RÉDUIRE LE RISQUE DE DOMMAGES, L'UTILISATEUR DOIT LIRE ET COMPRENDRE LE MANUEL D'INSTRUCTION.**



## Caractéristiques techniques

|                       |                             |
|-----------------------|-----------------------------|
| Consommation          | 150 W                       |
| Vitesse à vite        | 5 000 - 9 700 tr/min        |
| Nombre d'oscillations | 10 000 - 19 400 tr/min      |
| Rotation de ponçage   | 2.5 mm (0.1 in.)            |
| Poids                 | 1.5 kg (3.3 lbs.)           |
| Sécurité              | ☑ UL 745, CSA C22.2 No. 745 |

## Symbole

|        |                            |
|--------|----------------------------|
| V      | Volt                       |
| A      | Ampère                     |
| Hz     | Hertz                      |
| W      | Watt                       |
| ~      | Tension alternative        |
| $n_0$  | Vitesse de rotation à vide |
| ☑      | Construction de classe II  |
| tr/min | Tours par minute           |
| ∅      | Diamètre                   |

## Utilisation conforme

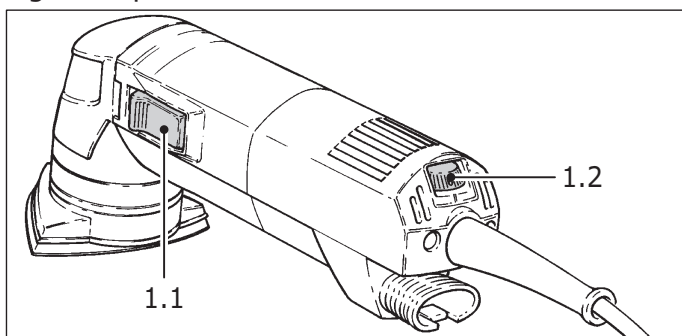
La ponceuse Deltex est un appareil destiné à poncer le bois, les matières plastiques, le métal, la pierre, les matériaux composites, la peinture et la laque, les matières de remplissage, le mastic et des matériaux semblables. Du fait de la forme triangulaire de la semelle de ponçage, l'appareil se prête particulièrement à des travaux dans des coins, des arêtes et des plis difficilement accessibles.

Si, lors du ponçage, il y a production de certaines matières explosives ou de poussière auto-inflammable, il est absolument nécessaire de tenir compte des informations de travail du producteur du matériau.

**⚠ AVERTISSEMENT** L'utilisateur est responsable des dégâts ou accidents qu'il peut provoquer en ne respectant pas les dispositions de sécurité.

## Raccordement électrique et mise en service

**⚠ AVERTISSEMENT** La tension secteur doit coïncider avec l'indication de tension de la plaque signalétique!



La mise en marche de l'appareil est opérée en poussant le commutateur (1.1) vers l'avant. Il suffit d'appuyer légèrement sur l'extrémité arrière du commutateur pour arrêter de nouveau l'appareil.

À l'état froid, il peut arriver que l'appareil ait besoin de quelques minutes jusqu'à ce que la vitesse de rotation maximale soit atteinte. Ceci est dû à la construction et est tout à fait normal.

## Electronic



Pour traiter diverses surfaces, il est avantageux que la vitesse de ponçage soit adaptée au matériau spécifique.

Les chiffres visibles sur le variateur de vitesse (1.3) correspondent environ aux valeurs de vitesse à vide

| tr / min |        |   |        |
|----------|--------|---|--------|
| 1        | 10 000 | 4 | 15 400 |
| 2        | 11 800 | 5 | 17 200 |
| 3        | 13 600 | 6 | 19 400 |

## Traitement des métaux

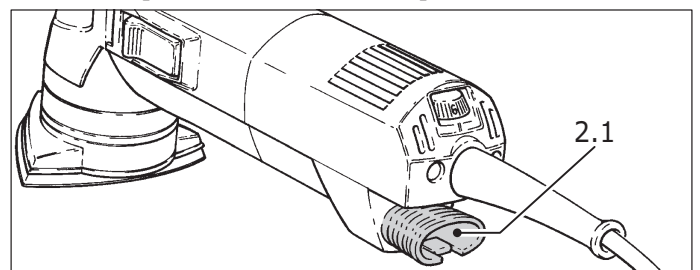
**⚠ AVERTISSEMENT** Lors du traitement des métaux, il est indispensable de respecter les mesures suivantes afin de travailler en toute sécurité :

- Installer un commutateur de sécurité à courant de défaut (FI, PRCD).
- Raccordez l'outil à un aspirateur approprié.
- L'outil doit régulièrement être nettoyé pour éliminer les dépôts de poussières accumulées dans le corps du moteur.
- Portez des lunettes de protection.

## Réglages de l'outil

**⚠ AVERTISSEMENT** Avant de faire quelque entretien sur l'outil, débranchez-le!

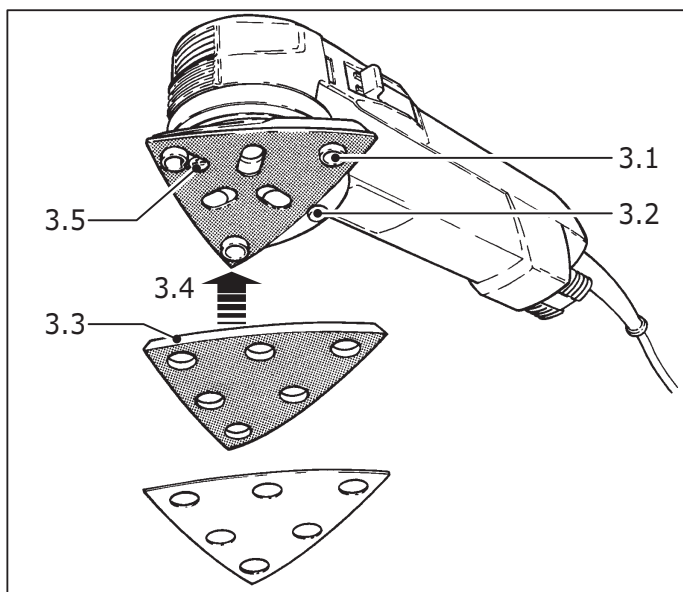
## Aspiration de la poussière



Pour aspirer la poussière de ponçage produite, le tuyau flexible (∅ 27 mm) d'un appareil d'aspiration Festool est enfiché sur la tubulure d'aspiration (2.1) à l'extrémité du boîtier moteur. La poussière de ponçage se trouve alors aspirée par les canaux d'aspiration de la semelle, directement à l'emplacement où le frottement a lieu.

Lorsque du bois est traité ou en cas d'utilisation de matériaux produisant des poussières dangereuses pour la santé, cet outil électrique doit être raccordé à un dispositif d'aspiration approprié.

## Semelle



La semelle est en mousse d'élastomère polyuréthane micro cellulaire ses bords sont inclinés vers l'extérieur (3.3). Elle est pourvue, sur la face supérieure, de velours et, sur la face inférieure, d'un revêtement Stickfix. La semelle est pressée côté velours sur le revêtement Stickfix du plateau de ponçage (3.4). Pour obtenir un ajustage aisé, le plateau de ponçage de l'appareil est pourvu de trois élévations de centrage sur ses coins (3.1).

### **Veillez observer ce qui suit:**

L'appareil a été développé spécialement pour travailler dans des coins et sur des arêtes. Chacun sait d'expérience que ce mode de travail donne plutôt lieu à une usure ponctuelle de l'extrémité du disque de ponçage. Ce faisant, la formation de chaleur est forcément plus élevée que lors de travaux en surface étant donné que la même pression d'application doit se répartir sur une surface plus petite. Pour cette raison, travaillez à pression d'application réduite étant donné que sinon, le revêtement Stickfix de la semelle ainsi que l'abrasif risquent d'être rapidement endommagés.

Au cas où le revêtement Stickfix serait usé à l'extrémité avant de la semelle de ponçage, il suffit de retirer la semelle et de la poser de nouveau en la tournant de 120°. Au cas où le revêtement Stickfix du plateau de ponçage serait également usé, le plateau complet (487406) peut être remplacé. A cet effet, il convient de desserrer les deux vis (3.2 et 3.5).

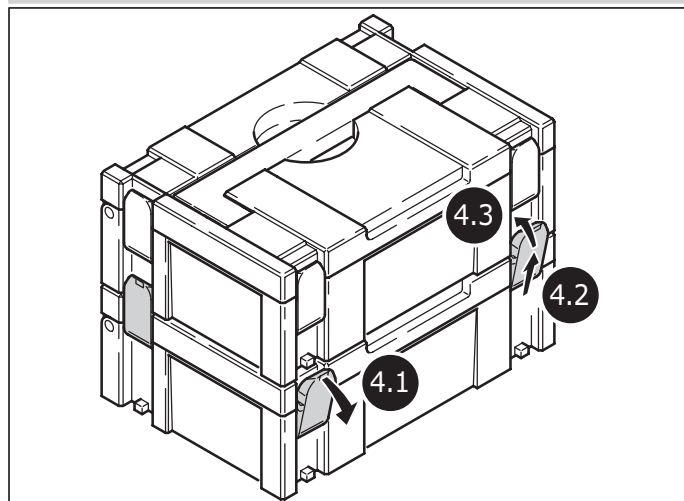
## Abrasif

Pour obtenir une aspiration efficace de la poussière, Festool présente, pour ses appareils, des abrasifs Stickfix perforés en grains de P 40 à P 400. Pour les numéros de commande, veuillez vous reporter aux prospectus et documentations correspondants.

Il suffit d'appuyer les abrasifs Stickfix sur la semelle de ponçage Stickfix et de les enlever de nouveau après utilisation.

En cas d'usure de l'extrémité avant de l'abrasif, il suffit de le retirer de la semelle et de le reposer en le tournant de 120°.

## Systainer



De nombreux produits Festool sont fournis dans une caisse exclusive, appelée "Systainer". Celle-ci permet de protéger et de ranger des outils et des appareils complémentaires. Les Systainer sont empilables et peuvent être solidarifiés. En outre, il se fixent sur les aspirateurs CT Festool.

- Poser deux Systainer l'un sur l'autre,
- défaire les quatre éléments de verrouillage du Systainer inférieur en les tirant en arrière par leur bord supérieur (4.1).
- pousser les quatre éléments de verrouillage vers le haut (4.2)
- manoeuvrer les quatre éléments de verrouillage (4.3) de sorte qu'ils s'enclenchent au niveau des éléments récepteurs du Systainer supérieur.

## Maintenance et entretien

**⚠ AVERTISSEMENT** Avant tout travail de maintenance sur la machine, toujours débrancher la fiche de la prise secteur!

**⚠ AVERTISSEMENT** Tous les travaux de maintenance et de réparation nécessitant une ouverture du boîtier moteur doivent être uniquement exécutés par un atelier de S.A.V. autorisé.

Pour assurer la circulation de l'air, les ouvertures d'air de refroidissement dans le boîtier moteur

doivent toujours être libres et dans un état de propreté impeccable.

L'appareil est équipé de charbons spéciaux assurant une mise hors circuit automatique. Lorsque ceux-ci sont usés, il donnent lieu à une coupure automatiquement du courant et l'appareil s'arrête.

## Accessoires et outils

**⚠ AVERTISSEMENT** Pour des raisons de sécurité, il faut utiliser exclusivement des accessoires et outils d'origine Festool!

Vous trouverez les numéros de pièce des accessoires et outils dans le catalogue Festool, ou sur le site Web [www.festool-usa.com](http://www.festool-usa.com).

## Garantie

### Conditions de la garantie (1+2 ans)

Vous avez droit à une prolongation de garantie gratuite (1 an + 2 ans = 3 ans) sur votre outil électrique Festool. Festool assumera tous les coûts d'expédition pendant la première année de la garantie alors que les deuxième et troisième années, les coûts devront être assumés par le client. Festool paiera les frais de retour de l'outil au client par service de livraison terrestre UPS. La garantie est valable pour une période de 3 ans à compter de la date d'achat indiquée sur votre reçu ou votre facture.

### Garantie limitée de Festool

Cette garantie est valable à condition que l'outil soit utilisé conformément aux instructions de Festool. Festool garantit, à l'acheteur initial seulement, que l'outil indiqué sera exempt de tout défaut de matériau et de fabrication pendant un an à compter de la date d'achat. Festool ne donne aucune garantie supplémentaire, implicite ou explicite, sur les instruments portables électriques Festool. Aucun agent, représentant commercial, distributeur, vendeur ou employé de Festool n'est autorisé à prolonger ou à modifier les

obligations ou restrictions de la présente garantie. Les obligations de Festool sont, à son entière discrétion, limitées à la réparation ou à l'échange des outils portables électriques Festool trouvés défectueux dans le présent emballage, tels que fournis avec le présent Guide d'utilisation.

Cette garantie exclut l'usure normale, les dommages causés par un usage impropre, les abus ou la négligence, ou tout dommage autre que ceux attribuables à des défauts de matériau et de fabrication. Cette garantie ne s'applique pas aux accessoires tels que lames de scie circulaire, mèches de perceuse et vilebrequin, lames de scie sauteuse, bandes abrasives et meules. Sont également exclues les pièces d'usure, telles que balais de charbon, lamelles pour outils à air comprimé, joints et manchons de caoutchouc, disques et patins ponceurs, ainsi que les piles.

Les outils électriques portables Festool à remplacer ou à réparer doivent être retournés avec le reçu d'achat à Festool (appelez au 800-554-8741 pour connaître l'adresse d'expédition).

**FESTOOL N'EST EN AUCUN CAS RESPONSABLE DES DOMMAGES DIRECTS OU INDIRECTS, IMPLICITES OU EXPLICITES, DÉCOULANT DE LA RUPTURE DE CETTE GARANTIE OU DE TOUTE AUTRE GARANTIE. TOUTES LES GARANTIES IMPLICITES, Y COMPRIS LES GARANTIES IMPLICITES DE QUALITÉ MARCHANDE ET D'ADÉQUATION À UN USAGE PARTICULIER, SONT LIMITÉES À UNE PÉRIODE DE TROIS ANS.**

Certains états américains et certaines provinces canadiennes ne permettent pas la limitation des garanties implicites; il se pourrait donc que les limites indiquées ci-dessus ne s'appliquent pas dans votre cas. À l'exception de certaines garanties implicites des provinces ou des états indiquées ici, la présente garantie est exclusive et remplace toute autre garantie, convention et obligation similaire de Festool.

Cette garantie vous confère des droits légaux spécifiques, et vous pouvez aussi avoir d'autres droits pouvant varier d'un état à l'autre, ou d'une province à l'autre au Canada.

## Índice de contenidos

|  |           |
|--|-----------|
| <b>Instrucciones importantes de seguridad</b>  | <b>12</b> |
| <b>Peligro para la salud por el polvo</b>      | <b>13</b> |
| <b>Datos técnicos</b>                          | <b>14</b> |
| <b>Símbolos</b>                                | <b>14</b> |
| <b>Utilización adecuada</b>                    | <b>14</b> |
| <b>Conexión eléctrica y puesta en servicio</b> | <b>14</b> |
| Electronic                                     | 14        |
| Trabajo en metal                               | 14        |
| <b>Ajustes en la máquina</b>                   | <b>14</b> |
| Aspiración                                     | 14        |
| Taco esmerilador                               | 15        |
| Materia abrasiva                               | 15        |
| <b>Systainer</b>                               | <b>15</b> |
| <b>Mantenimiento y cuidados</b>                | <b>15</b> |
| <b>Accesorios, herramientas</b>                | <b>16</b> |
| <b>Garantía</b>                                | <b>16</b> |
| Condiciones de la Garantía 1 + 2               | 16        |
| Garantía limitada de Festool                   | 16        |

## Instrucciones importantes de seguridad

**⚠️ ADVERTENCIA** Lea y entienda todas las instrucciones. El incumplimiento con las instrucciones aquí referidas puede resultar en una descarga eléctrica, fuego y/o lesiones personales serias.

### CONSERVE ESTAS INSTRUCCIONES

#### 1) Seguridad del espacio de trabajo

**a) Mantenga limpio y bien iluminado su puesto de trabajo.** El desorden y una iluminación deficiente en las áreas de trabajo pueden provocar accidentes.

**b) No utilice la herramienta eléctrica en un entorno con peligro de explosión, en el que se encuentren combustibles líquidos, gases o material en polvo.** Las herramientas eléctricas producen chispas que pueden llegar a inflamar los materiales en polvo o vapores.

**c) Mantenga alejados a los niños y otras personas de su puesto de trabajo al emplear la herramienta eléctrica.** Una distracción le puede hacer perder el control sobre el aparato.

#### 2) Seguridad eléctrica

**a) El enchufe del aparato debe corresponder a la toma de corriente utilizada. No es**

**admisible modificar el enchufe en forma alguna. No emplear adaptadores en aparatos dotados con una toma de tierra.** Los enchufes sin modificar adecuados a las respectivas tomas de corriente reducen el riesgo de una descarga eléctrica.

**b) Evite que su cuerpo toque partes conectadas a tierra como tuberías, radiadores, cocinas y refrigeradores.** El riesgo a quedar expuesto a una sacudida eléctrica es mayor si su cuerpo tiene contacto con tierra.

**c) No exponga las herramientas eléctricas a la lluvia y evite que penetren líquidos en su interior.** Existe el peligro de recibir una descarga eléctrica si penetran ciertos líquidos en la herramienta eléctrica.

**d) No utilice el cable de red para transportar o colgar el aparato, ni tire de él para sacar el enchufe de la toma de corriente. Mantenga el cable de red alejado del calor, aceite, esquinas cortantes o piezas móviles. Los cables de red dañados o enredados pueden provocar una descarga eléctrica.**

**e) Al trabajar con la herramienta eléctrica en la intemperie utilice solamente cables de prolongación homologados para su uso en exteriores. La utilización de un cable de prolongación adecuado para su uso en exteriores reduce el riesgo de una descarga eléctrica.**

#### 3) Seguridad personal

**a) Esté atento a lo que hace y emplee la herramienta eléctrica con prudencia. No utilice la herramienta eléctrica si estuviese cansado, ni tampoco después de haber consumido alcohol, drogas o medicamentos.** El no estar atento durante el uso de una herramienta eléctrica puede provocarle serias lesiones.

**b) Utilice un equipo de protección y en todo caso unas gafas de protección.** El riesgo a lesionarse se reduce considerablemente si, dependiendo del tipo y la aplicación de la herramienta eléctrica empleada, se utiliza un equipo de protección adecuado como una mascarilla antipolvo, zapatos de seguridad con suela antideslizante, casco, o protectores auditivos.

**c) Evite una puesta en marcha fortuita del aparato. Cerciorarse de que el aparato esté desconectado antes conectarlo a la toma de corriente.** Si transporta el aparato sujetándolo por el interruptor de conexión/desconexión, o si introduce el enchufe en la toma de corriente con el aparato conectado, ello puede dar lugar a un accidente.

**d) Retire las herramientas de ajuste o llaves fijas antes de conectar la herramienta eléc-**

**trica.** Una herramienta o llave colocada en una pieza rotante puede producir lesiones al ponerse a funcionar.

**e) Sea precavido. Trabaje sobre una base firme y mantenga el equilibrio en todo momento.** Ello le permitirá controlar mejor la herramienta eléctrica en caso de presentarse una situación inesperada.

**f) Lleve puesta una vestimenta de trabajo adecuada. No utilice vestimenta amplia ni joyas. Mantenga su pelo, vestimenta y guantes alejados de las piezas móviles.** La vestimenta suelta, las joyas y el pelo largo se pueden enganchar con las piezas en movimiento.

**g) Siempre que sea posible utilizar unos equipos de aspiración o captación de polvo, asegúrese que éstos estén montados y que sean utilizados correctamente.** El empleo de estos equipos reduce los riesgos derivados del polvo.

#### 4) Uso y cuidado de la herramienta

**a) No sobrecargue el aparato. Use la herramienta prevista para el trabajo a realizar.** Con la herramienta adecuada podrá trabajar mejor y más seguro dentro del margen de potencia indicado.

**b) No utilice herramientas con un interruptor defectuoso.** Las herramientas que no se puedan conectar o desconectar son peligrosas y deben hacerse reparar.

**c) Saque el enchufe de la red antes de realizar un ajuste en el aparato, cambiar de accesorio o al guardar el aparato.** Esta medida preventiva reduce el riesgo a conectar accidentalmente el aparato.

**d) Guarde las herramientas fuera del alcance de los niños y de las personas que no estén familiarizadas con su uso.** Las herramientas utilizadas por personas inexpertas son peligrosas.

**e) Cuide sus aparatos con esmero. Controle si funcionan correctamente, sin atascarse, las partes móviles del aparato, y si existen partes rotas o deterioradas que pudieran afectar al funcionamiento de la herramienta. Si la herramienta eléctrica estuviese defectuosa haga repararla antes de volver a utilizarla.** Muchos de los accidentes se deben a aparatos con un mantenimiento deficiente.

**f) Mantenga los útiles limpios y afilados.** Los útiles mantenidos correctamente se dejan guiar y controlar mejor.

**g) Utilice herramientas eléctricas, accesorios, útiles, etc. de acuerdo a estas instrucciones y en la manera indicada específicamente para este aparato. Considere en ello las condiciones de trabajo y la tarea a realizar.** El uso de herramientas eléctricas para trabajos diferentes de aquellos para los que han sido concebidas puede resultar peligroso.

#### 5) Mantenimiento

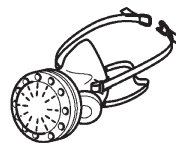
**a) Únicamente haga reparar su herramienta eléctrica por un profesional, empleando exclusivamente piezas de repuesto originales.** Solamente así se mantiene la seguridad de la herramienta eléctrica.

#### Peligro para la salud por el polvo

**⚠ ADVERTENCIA** Algunos polvos creados por lijadoras mecánicas, aserraderos, trituradores, perforadoras y otras actividades de construcción contienen sustancias químicas que se sabe (en el Estado de California) causan cáncer, defectos de nacimiento u otros daños al sistema reproductivo. Algunos ejemplos de estas sustancias químicas son:

- Plomo de las pinturas con base de plomo
- Sílice cristalino de los ladrillos y cemento y otros productos de mampostería, y
- Arsénico y cromo de madera tratada con sustancias químicas

El riesgo de exposición a estas sustancias varía, dependiendo de cuantas veces se hace este tipo de trabajo.



Para reducir el contacto con estas sustancias químicas: trabaje en un área con buena ventilación y trabaje con equipo de seguridad aprobado, como mascarillas para el polvo diseñadas específicamente para filtrar partículas microscópicas. Lávese las manos después de manejarlo.

**⚠ ADVERTENCIA PARA REDUCIR EL RIESGO DE LESIÓN, EL USUARIO DEBE LEER Y ENTENDER EL MANUAL DE INSTRUCCIÓN.**

## Datos técnicos

|                       |   |
|-----------------------|---|
| Potencia absorbida    | 150 W   |
| Velocidad sin carga   | 5 000 - 9 700 rpm   |
| Orbitas por minuto    | 10 000 - 19 400 opm   |
| Carrera de esmerilado | 2.5 mm (0.1 in.)  |
| Peso                  | 1.5 kg (3.3 lbs.)   |
| Seguridad             | <input checked="" type="checkbox"/> UL 745, CSA C22.2 No. 745 |

## Símbolos

|                                     |                                  |
|-------------------------------------|----------------------------------|
| V                                   | voltios                          |
| A                                   | amperios                         |
| Hz                                  | hertzios                         |
| W                                   | vatios                           |
| ~                                   | rensi3n alterna                  |
| n <sub>0</sub>                      | revoluciones por minuto en vaci3 |
| <input checked="" type="checkbox"/> | Clase II Construcci3n            |
| rpm                                 | revoluciones por minuto          |
| opm                                 | orbitas por minuto               |
| ∅                                   | Diámetro                         |

## Utilizaci3n adecuada

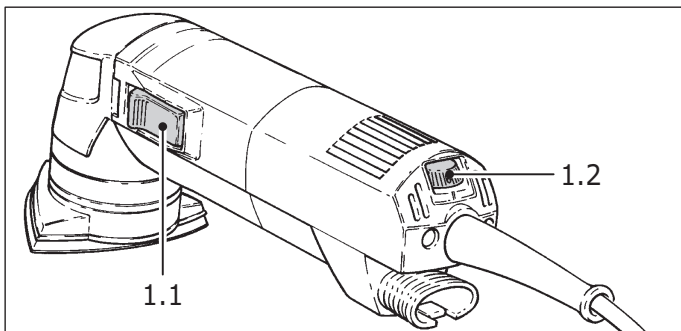
La esmeriladora Deltex es un aparato para pulir madera, plástic3, metal, piedra, materiales compuestos, pintura/barniz, rellenos, masilla y materiales parecidos. Debido a la forma triangular del taco esmerilador el aparato es especialmente adecuado para elaborar esquinas, cantos y juntas de difi3cil acceso.

Si al esmerilar algunos materiales se forman polvos inflamables o explosivos, se deberán tener en cuenta sin falta las indicaciones de elaboraci3n del fabricante del material respectivo.

**⚠ADVERTENCIA** El usuario se hace cargo de los daños y accidentes causados por una utilizaci3n inadecuada.

## Conexi3n eléctrica y puesta en servicio

**⚠ADVERTENCIA** ¡La tensi3n de red debe coincidir con la indicaci3n de tensi3n en la placa indicadora de potencia!



Para conectar hay que mover el interruptor (1.1) deslizando hacia adelante. Es suficiente presionar

ligeramente sobre la parte trasera del interruptor para volver a desconectar el aparato.

En estado frío puede suceder que el aparato necesite algunos minutos para alcanzar el número de revoluciones máx3mo posible. Esto se debe a la construcci3n del aparato y no representa inconveniente ni peligro alguno.

## Electronic



Para elaborar las diferentes superficies es conveniente adaptar la velocidad de esmerilado al material correspondiente.

Las cifras indicadas en el regulador del número de revoluciones (1.2) corresponden aproximadamente a los valores de marcha en vaci3 siguientes:

| orbitas / min |        |   |        |
|---------------|--------|---|--------|
| 1             | 10 000 | 4 | 15 400 |
| 2             | 11 800 | 5 | 17 200 |
| 3             | 13 600 | 6 | 19 400 |

## Trabajo en metal

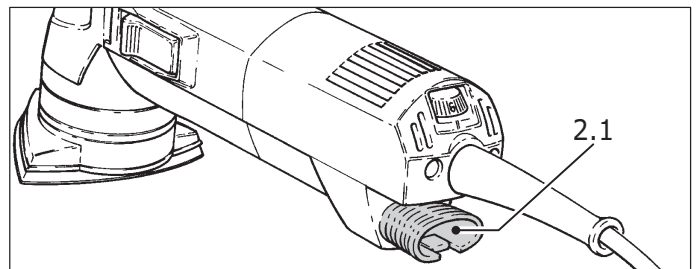
**⚠ADVERTENCIA** Por motivos de seguridad observe las siguientes medidas al trabajar el metal:

- Agregar un interruptor de corriente de defecto (FI-, PRCD-).
- Conecte la lijadora a un extractor de polvo apropiado.
- Limpie periódicamente la máquina para eliminar las aglomeraciones de polvo en el cárter del motor.
- Use gafas de protecci3n.

## Ajustes en la máquina

**⚠ADVERTENCIA** ¡Antes de realizar cualquier trabajo en la lijadora se debe desconectar el enchufe del tomacorriente!

## Aspiraci3n

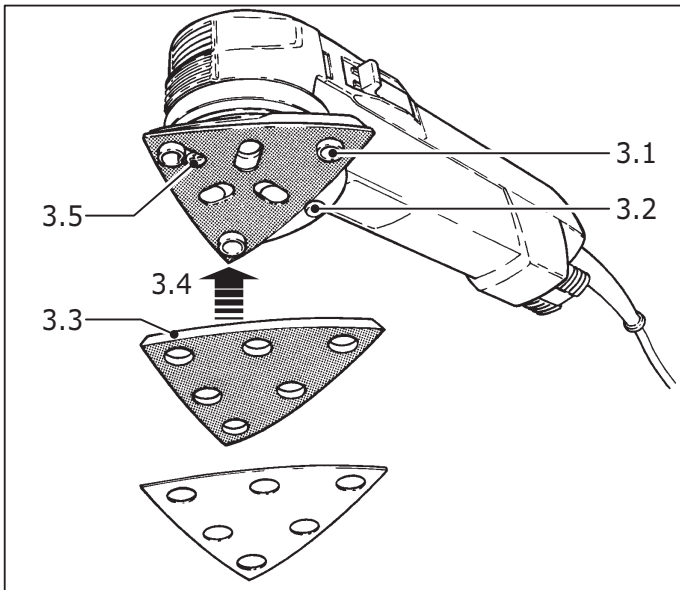


Para aspirar los polvos del esmerilado hay que acoplar el tubo flexible (diámetro 27 mm) de un aparato aspirador Festool a la tubuladura de aspiraci3n (1.2) al final de la caja del motor. De esta forma se aspira directamente el polvo de la superficie de esmerilado a trav3s de los canales de aspiraci3n en el taco esmerilador.

Al trabajar con madera o con materiales que originan polvos perjudiciales para la salud la

herramienta eléctrica debe ser conectada a un dispositivo de aspiración adecuado.

### Taco esmerilador



El taco esmerilador consiste de espuma MPE (poliuretano-elastómero microcelular) con cantos inclinados hacia afuera (3.3). En la superficie superior el taco está provisto de terciopelo y en la superficie inferior con una capa de Stickfix. El taco se pone con el lado de terciopelo sobre la capa de Stickfix de la mesa de esmerilado (3.4). A fin de facilitar el ajuste, la mesa de esmerilado del aparato está provista con tres peraltes de centrado (3.1) en las esquinas.

#### Atención:

El aparato ha sido concebido especialmente para trabajos en esquinas y cantos. Según muestra la experiencia, esto significa que la punta del disco esmerilador se ve sometida a un especial esfuerzo en una parte determinada ya que, por repartirse la presión sobre una superficie más pequeña, el desarrollo térmico es forzosamente más alto que en los trabajos sobre una superficie. Por eso conviene trabajar con presión reducida, de lo contrario la capa Stickfix del taco y la materia abrasiva rápidamente podrán deteriorarse.

En caso de estar gastada la capa Stickfix en la punta delantera del taco, es suficiente extraer el taco esmerilador y volver a colocarlo girándolo 120°. Si la capa Stickfix de la mesa también está gastada, se puede recambiar la mesa completa (487406). Para ello es necesario soltar ambos tornillos (3.2 y 3.5).

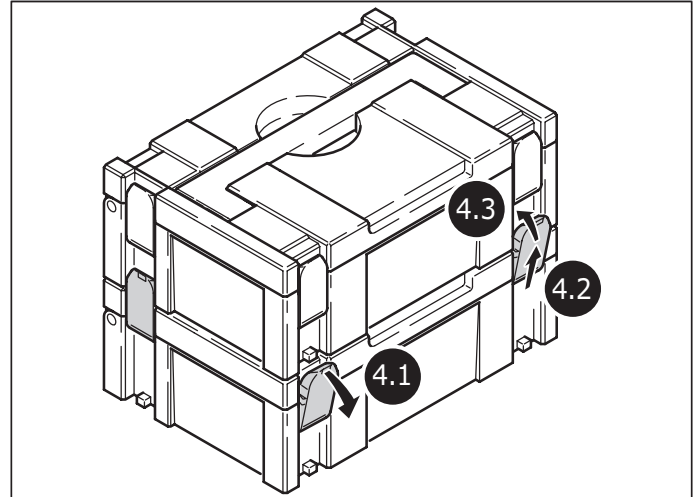
### Materia abrasiva

Para una aspiración efectiva de los aparatos Festool ofrece materias abrasivas Stickfix de granulaciones entre P 40 y P 400. Para los números de pedido sírvase consultar los documentos de prospecto correspondientes.

Para su uso es suficiente colocar las materias abrasivas Stickfix sobre el taco esmerilador Stickfix mediante presión y, al finalizar, sacarlas.

En caso de estar la punta delantera de la materia abrasiva gastada, es suficiente extraerla del taco esmerilador y volver a colocarla girándola 120°.

### Systainer



Muchos de los productos Festool se entregan en un embalaje exclusivo denominado "Systainer" que sirve de protección a la herramienta y sus complementos, además de facilitar su almacenamiento. Los Systainer pueden apilarse y encajan unos con otros. Además se adaptan sin problema a cualquier aparato de aspiración CT de Festool.

- Coloque un Systainer sobre otro.
- Abra los cuatro enganches del Systainer de abajo tirando de sus extremos superiores (4.1).
- Deslice los cuatro enganches hacia arriba (4.2).
- Presione los cuatro enganches hasta que queden planos (4.3) y puedan así acoplarse en los soportes del Systainer colocado encima.

### Mantenimiento y cuidados

**⚠ ADVERTENCIA** ¡Antes de emprender cualquier trabajo de mantenimiento en la máquina hay que desconectar el enchufe!

**⚠ ADVERTENCIA** Todos los trabajos de reparación y de mantenimiento para los que es necesario abrir la caja del motor solamente pueden ser realizados por un taller autorizado de servicio de posventa. Para garantizar suficiente circulación de aire los orificios de ventilación de la caja del motor deben estar siempre limpios y libres de residuos.

El aparato está provisto de carbones especiales de desconexión automática. Cuando estos carbones están gastados, se produce una interrupción automática de la corriente y el aparato se para.

## Accesorios, herramientas

**⚠️ ADVERTENCIA** ¡Por razones de seguridad, solamente deben emplearse accesorios y herramientas originales de Festool!

Los números de pedido para los respectivos accesorios y herramientas se encuentran en su catálogo Festool o en la Internet, [www.festool-usa.com](http://www.festool-usa.com).

## Garantía

### Condiciones de la Garantía 1 + 2

Usted tiene derecho a una garantía extendida gratuita (1 año + 2 años = 3 años) para su herramienta motorizada Festool. Festool se hará responsable por los gastos de envío durante el primer año de garantía. Durante el segundo y tercer año de garantía el cliente es responsable por el costo del envío de la herramienta a Festool. Festool pagará el embarque de regreso al cliente usando UPS Ground Service. Todo el servicio de garantía es válido por 3 años desde la fecha de la compra de acuerdo a la fecha de su recibo o factura de compra.

### Garantía limitada de Festool

Esta garantía es válida únicamente con la condición previa de que la herramienta se usa y opera de conformidad con las instrucciones de operación de Festool. Festool garantiza, sólo al comprador original, que la herramienta especificada estará libre de defectos de fabricación y materiales durante un periodo de un año a partir de la fecha de compra. Festool no otorga otras garantías, ni explícitas ni implícitas para ninguna de las herramientas motorizadas portátiles Festool. Ningún agente, representante, distribuidor, comerciante o empleado de Festool está autorizado para extender o modificar de cualquier manera las obligaciones o limitaciones de esta garantía. Las obligaciones de Festool, a su propia entera discreción, están limitadas a la reparación o sustitución de cualquier herramienta portátil Festool que se encuentre estar defectuosa

en el momento de ser embalada junto con el manual de usuario.

Quedan excluidos de la cobertura en esta garantía: el desgaste normal; los daños causados por uso indebido, el abuso o negligencia; los daños causados por cualquier otra causa que no sean defectos del material o de la fabricación. Esta garantía no aplica a accesorios como cuchillas de sierras circulares, brocas de taladro, barrenas de buriladora, cuchillas de sierra, cuchillas para sierras de calado, correas de lijadoras y ruedas de esmeril. También se excluyen las partes que se desgastan como cepillos de carbón, álambos de las herramientas de aire, collarines de hule y sellos, discos y platos de lijado, y baterías.

Las herramientas motorizadas portátiles Festool que requieran de reemplazo o reparación deben devolverse con el recibo de compra a Festool (llame al 800-554-8741 para los detalles de la dirección).

**EN NINGÚN CASO FESTOOL SE HARÁ RESPONSABLE POR LOS DAÑOS SECUNDARIOS O CONSECUENTES OCASIONADOS POR LA VIOLACIÓN DE ESTA O CUALQUIER OTRA GARANTÍA, SEA EXPLÍCITA O IMPLÍCITA. TODAS LAS GARANTÍAS IMPLICADAS POR LEYES ESTATALES, INCLUYENDO LAS GARANTÍAS IMPLICADAS DE COMERCIALIZACIÓN Y ADECUACIÓN A UN PROPÓSITO PARTICULAR, QUEDAN LIMITADAS A TRES AÑOS DE DURACIÓN.**

Algunos estados de EE.UU. y algunas provincias de Canadá no permiten las limitaciones en cuanto a la duración de las garantías implícitas, de modo que la limitación arriba indicada puede que no le afecte. A excepción de algunas garantías implicadas por leyes estatales o provinciales, limitadas por la presente, la anteriormente citada garantía, expresamente limitada, es exclusiva y sustituye a cualquier otra garantía, acuerdo u obligación similar de Festool.

Esta garantía le concede derechos legales específicos y usted podría tener otros derechos legales que varían de estado a estado en EE.UU. y de provincia a provincia en Canadá.