

TECHNICAL SPECIFICATION:

Voltage : 230Vac, 50Hz	Power Consumption: 60W
LED Type : 4 x 4-in-1 Quad LED RGBW	Fuse: F3A
LED Power: 4 x 10W Quad LED	LED Lifespan: 10,000hrs
DMX Channels: 6 or 21	
Dimensions : 490 x 490 x 200mm	Weight: 7.0kg

DISPOSAL:



Please disposal of the unserviceable device according to the current statutory require

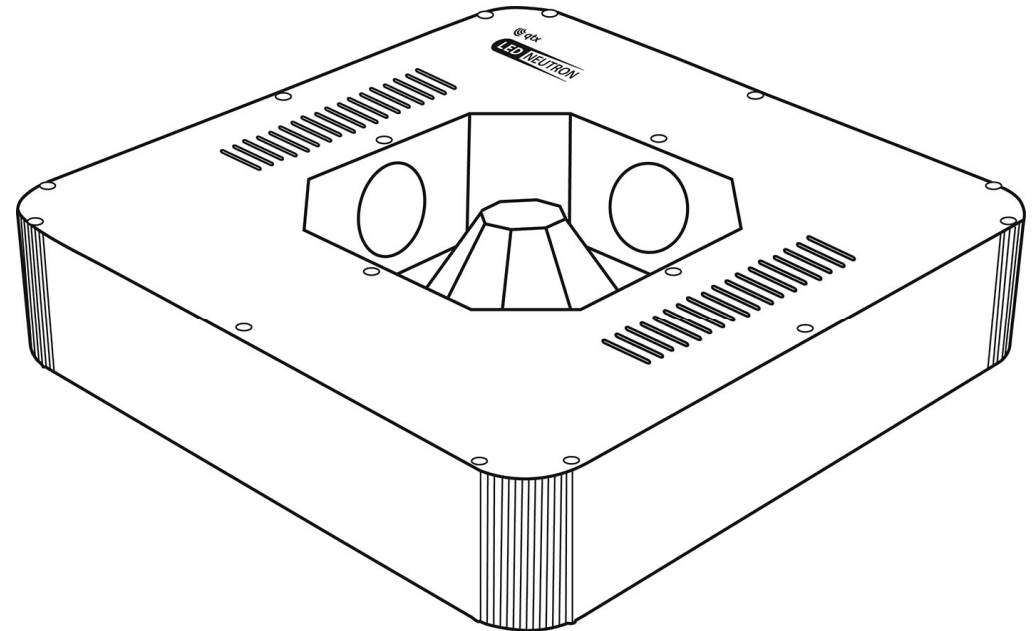
*Errors and omissions excepted.
Copyright© 2012. AVSL Group Ltd.*

LED NEUTRON

4 x QUAD COLOUR LED LIGHT EFFECT

Item ref: 151.562UK

User Manual



VERSION 1.0

INTRODUCTION:

LED NEUTRON LIGHT EFFECT

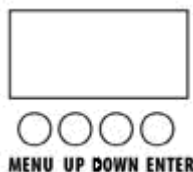
Featuring four all new Quad LED's which are projected on to angled rotating mirrors, creating a huge light output for your dance floor from a centre point. The mirrors rotate and the colours changes automatically to the beat of the music or it can be programmed by the 6 or 21 channel DMX. The unit can be mounted on to the wall or ceiling, or even stand on the floor with the supplied bracket, creating an ideal atmosphere in any nightclub, mobile disco or band.

- 4 x 4-in-1 RGBW high power light effect
- Rotating mirror centre point
- Large coverage area
- Sound to light and auto operation
- 6 or 21 Channels DMX
- Mounting and floor bracket included

DMX OPERATION (21 Channel):

Channel 1	0	Black out
	1-199	Dimmer
	200-247	Strobe
	248-255	Full bright
Channel 2	0-255	Red of first head dimmer
Channel 6	0-255	Red of second head dimmer
Channel 7	0-255	Green of second head dimmer
Channel 8	0-255	Blue of second head dimmer
Channel 9	0-255	White of second head dimmer
Channel 10	0-255	Red of third head dimmer
Channel 11	0-255	Green of third head dimmer
Channel 12	0-255	Blue of third head dimmer
Channel 13	0-255	White of third head dimmer
Channel 14	0-255	Red of fourth head dimmer
Channel 15	0-255	Green of fourth head dimmer
Channel 16	0-255	Blue of fourth head dimmer
Channel 17	0-255	White of fourth head dimmer
Channel 18	0-9	Black out
	10-255	RGBW color mix
Channel 19	0-255	Select light effect
Channel 20	0-255	Select the speed of light effect
Channel 21	0-9	Motor stop
	10-120	Motor turn left, from slow to fast
	121-134	Motor stop
	135-245	Motor turn right, from slow to fast
	246-255	Motor stop

DISPLAY CONTROLS:



LED Display	Action
Addr	Set DMX Address
CHnd	If displayed there is a brake in the DMX Chain.
SLnd	Reverse Pan on/off
SOUnd	Reverse tilt on/off
bLnd	Sound to light mode
LEd	Auto mode various options
REST	Reset function
diSP	Turn display on/off
tESt	Light test mode
hOUr	Fixture operating time

DMX OPERATION (6 CHANNEL):

Channel 1	000	Black out
	001-199	Dimmer
	200-247	Strobe
	248-255	Full bright
Channel 2	000-009	Black out
	010-255	RGBW color mix
Channel 3	000-255	Select light effect
Channel 4	000-255	Select the speed of light effect
Channel 5	000-009	Motor stop
	010-120	Motor turn left, from slow to fast
	121-134	Motor stop
	135-245	Motor turn right, from slow to fast
	246-255	Motor stop
Channel 6	000-127	Sound off
	128-255	Sound on

PACKAGE CONTENTS:

Please check the contents to ensure that the product has been received in good condition.

LED Neutron Light Effect x 1pcs	User's Guide x 1pcs
Power Cord x 1pcs	1 x Mounting brackets & 2 x Bolts

If you find any accessory is missing or the machine has arrived with any problems, please contact your local dealer at once. Do not try to fix this item yourself or you will lose the warranty. Please keep the original package and invoice for any possible replacement or returned demand.

INSTALLATION:

Every person involved with the installation, operation and maintenance of this device should be qualified and follow the instructions in this User Guide. We recommend that this product is not used for audience scanning and should be used within the guidelines of "HSG95". When you connect to the main power supply the device will take around 5-10 seconds before ready for use.

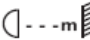
MOUNTING INSTRUCTIONS:

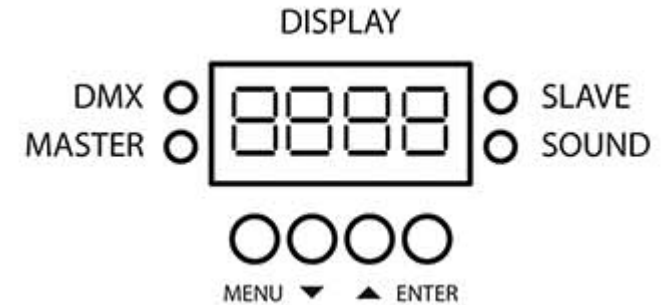
Attached the supplied mounting brackets to the underside of the fixture using the supplied bolts. We recommend fitting 2 x G-Clamps to the brackets due to the size. After finding the desired position tighten the G-Clamp and use a safety wire for extra security.

When selecting an installation location, take into consideration routine maintenance. Safety cables must always be used. Never mount in places where the fixture will be exposed to rain, high humidity, extreme temperatures changes or restricted ventilation.

CAUTION! TO PREVENT MORTAL ELECTRICAL RISK AND LONG LIFE OPERATION:

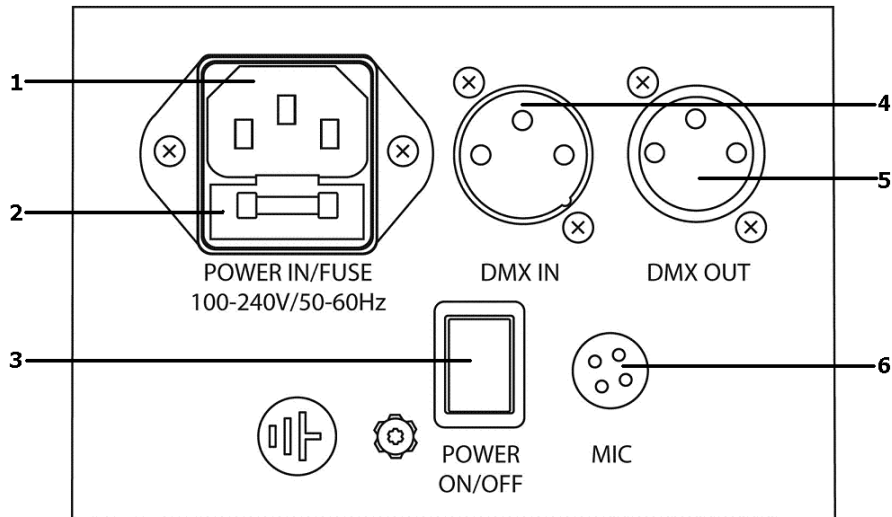
For your safety, please kindly pay attention to all of the warnings listed below:

- Always plug in the power plug last and disconnect from the mains, when the device is not in use or before cleaning.
- Do not install and operate the device in rain or extreme heat, moist or dusty environments.
- This device is for indoor use only and in a dry environment.
- Do not switch on immediately but wait until it reaches to room temperature, if the device has been exposed to drastic temperature fluctuations.
- Do not shake the device and avoid brute force when installing or operating.
- Do not direct smoke or bubble fluid directly at the device.
- Do not use the device during thunderstorms and ensure you disconnect the power.
- Do not use solvents or aggressive detergent to clean the device. Use a soft and clean cloth.
- Do not modify the device or the connected power cord without authorization.
- Use appropriate safety-rope for safety.
- Do not stare to the light.
- The symbol  determines the minimum distance from lighted objects. The minimum distance between light-output and the illuminated surface must be more than 0.5m.

CONTROL DISPLAY FOR:

1. MENU: Menu mode or withdraw from the last menu
2. UP: Increase one step each time
3. DOWN: Decrease one set each time
4. ENTER: Confirms the functions you select

LAYOUT:



1. IEC Power IN
2. Fuse holder
3. Power ON/OFF
4. DMX IN
5. DMX OUT
6. Microphone

CONNECT WITH POWER SUPPLY – THE GROUND WIRE MUST BE CONNECTED:

Use the plug to connect to the main power supply as follows:

Wire	Connection	International signal
Brown	Live	L
Blue	Neutral	N
Yellow /Cyan	Earth	

QUICK TROUBLE SHOOTING

If the unit is not functioning properly follow the below guidelines

- Check the IEC cable is fitted correctly.
- Check the fuse hasn't blown in both the IEC cable and unit (see below)
- Check any DMX cables are connected correctly
- Check the DMX address has been set correctly

If the unit still fails to respond then contact your retailer for advice.

REPLACING FUSE

Disconnect from the main power supply first then remove the fuse holder above the IEC Socket to reveal the fuse. Replace with the correct fuse rating as stated on the product safety label. Then lock the fuse holder cover back into place.

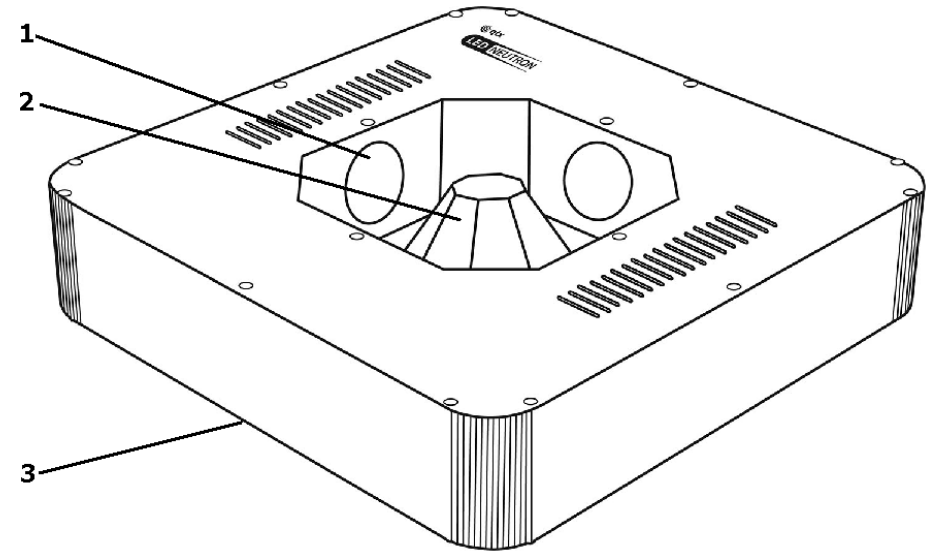
GENERAL MAINTENANCE

To maintain optimum performance and minimize wear, fixtures should be cleaned frequently. Usage and environment are contributing factors in determining frequency. As a general rule, fixtures should be cleaned at least twice a month. Dust build-up reduces light output performance and can cause overheating. This can lead to reduced life and increased mechanical wear. Be sure to power off the fixture before conducting maintenance.

Unplug fixture from the mains and use a vacuum or air compressor and a soft brush to remove dust collected on external vents. Clean all glass when fixture is cold with a mild solution to the cloth or tissue, and drag dirt and grime to the outside of the lens. Gently polish optical surface until they free of haze and lint.

The cleaning of external optical lenses must be carried out periodically to optimize light output. Cleaning frequently depends on the environment in which the fixture operates: damp, smoky or particularly dirty surroundings can require cleaning fluid. Always dry the parts carefully. Clean the external optics at least every 20 days.

LAYOUT:



1. LED Optical outputs
2. Rotating mirrors
3. Mounting bracket (at the rear)