



# ***Black & Decker***

## **OWNER'S MANUAL**

### **DISC SANDERS**

CAT. NOS. 4044-09, 4054-09, 4055-09, 4056-09,  
6102-09, 6105-09, 6106-09

#### **SAFETY RULES FOR SANDERS AND GRINDERS**

1. Always wear safety goggles or other eye protection when using this tool.
2. Always use accessories that are marked "OK" under the catalog number of your tool as listed on page 6. Use of accessories not compatible with those listed for a particular tool are not recommended and might be hazardous.
3. Before attaching any wheel, check its manufacturer's specifications and be sure that its safe operating speed is higher than the no-load speed of the tool as shown on the nameplate.
4. Before using, inspect each grinding wheel for cracks or flaws. If such a crack or flaw is evident—discard the wheel! The wheel should also be inspected whenever you think the tool may have been dropped.
5. When starting the tool (with a new or replacement wheel installed) hold the tool in a well protected area. If the wheel has an undetected crack or flaw, it should burst in less than one minute. Never start the tool with a person in line with the wheel. This includes the operator.
6. In operation, avoid bouncing the wheel or giving it rough treatment. If this occurs, stop the tool and inspect the wheel.
7. Always use guards with depressed-center or flaring cup grinding wheels.
8. Clean your tool out periodically following the procedure in the maintenance section.

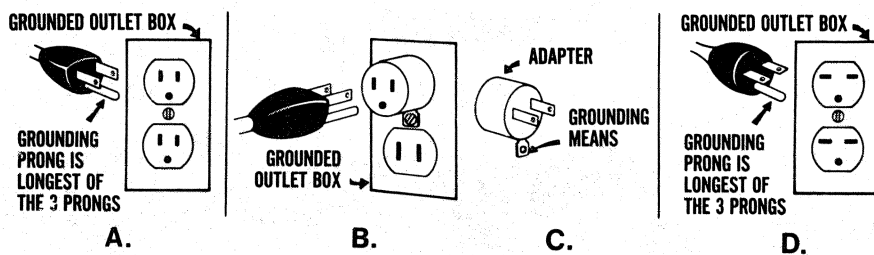
# IMPORTANT INFORMATION

## SAFETY RULES FOR POWER TOOLS

1. **KNOW YOUR POWER TOOL** — Read owner's manual carefully. Learn its applications and limitations as well as the specific potential hazards peculiar to this tool.
2. **GROUND ALL TOOLS — UNLESS DOUBLE-INSULATED.** If tool is equipped with three-prong plug, it should be plugged into a three-hole electrical receptacle. If adapter is used to accommodate two-prong receptacle, the adapter wire must be attached to a **known ground.** Never remove third prong.
3. **KEEP GUARDS IN PLACE** and in working order.
4. **KEEP WORK AREA CLEAN.** Cluttered areas and benches invite accidents.
5. **AVOID DANGEROUS ENVIRONMENT.** Don't expose power tools to rain. Don't use power tool in damp or wet locations. And keep work area well lit.
6. **KEEP CHILDREN AWAY.** All visitors should be kept safe distance from work area.
7. **STORE IDLE TOOLS.** When not in use, tools should be stored in dry, high or locked-up place — out of reach of children.
8. **DON'T FORCE TOOL.** It will do the job better and safer at the rate for which it was designed.
9. **USE RIGHT TOOL.** Don't force small tool or attachment to do the job of a heavy duty tool.
10. **WEAR PROPER APPAREL.** No loose clothing or jewelry to get caught in moving parts. Rubber gloves and footwear are recommended when working outdoors.
11. **USE SAFETY GLASSES** with most tools. Also face or dust mask if cutting operation is dusty.
12. **DON'T ABUSE CORD.** Never carry tool by cord or yank it to disconnect from receptacle. Keep cord from heat, oil and sharp edges.
13. **SECURE WORK.** Use clamps or a vise to hold work. It's safer than using your hand and it frees both hands to operate tool.
14. **DON'T OVERREACH.** Keep proper footing and balance at all times.
15. **MAINTAIN TOOLS WITH CARE.** Keep tools sharp at all times, and clean for best and safest performance. Follow instructions for lubricating and changing accessories.
16. **DISCONNECT TOOLS.** When not in use, before servicing; when changing accessories such as blades, bits, cutters, etc.
17. **REMOVE ADJUSTING KEYS AND WRENCHES.** Form habit of checking to see that keys and adjusting wrenches are removed from tool before turning it on.
18. **AVOID ACCIDENTAL STARTING.** Don't carry plugged-in tool with finger on switch. Be sure switch is off when plugging in.
19. **OUTDOOR USE EXTENSION CORDS** — When tool is used outdoors, use only extension cords suitable for use outdoors and so marked.
20. **DO NOT OPERATE** portable electric tools in gaseous or explosive atmospheres. Motors in these tools normally spark, and the sparks might ignite fumes.

## GROUNDING

This tool should be grounded while in use to protect the operator from electric shock. The tool is equipped with an approved three-conductor cord and three-prong grounding type plug to fit the proper grounding type receptacle. The green (or green and yellow) conductor in the cord is the grounding wire. Never connect the green (or green and yellow) wire to a live terminal. If your unit is for use on less than 150 volts, it has a plug like that shown in Figure A. If it is for use on 150 to 250 volts, it has a plug like that shown in Figure D. An adapter, Figures B and C, is available for connecting Figure A plugs to two-prong receptacles. The green-colored rigid ear, lug, etc., must be connected to a permanent ground such as a properly grounded outlet box. No adapter is available for a plug as shown in Figure D. Adapter shown in Figures B & C is not for use in Canada.



We recommend that you NEVER disassemble the tool or try to do any rewiring in the electrical system. Any such repairs should be performed only by B&D Service Centers or other qualified service organizations. Should you be determined to make a repair yourself, remember that the green colored wire is the "grounding" wire. Never connect this green wire to a "live" terminal. If you replace the plug on the power cord, be sure to connect the green wire only to the grounding (longest) prong on a 3-prong plug.

If you use an extension cord, be sure that it is a 3-conductor, grounding type cord. Grounding must be continuous from the tool plug to the grounded receptacle.

## MOTOR

Your tool is powered by a Black & Decker built motor. Be sure your power supply agrees with nameplate marking. **VOLTS 50/60 Hz** means **Alternating Current ONLY**. **VOLTS DC-60 Hz** means it will also operate on **Direct Current**. Voltage variation of more than 10% will cause loss of power and over-heating. All B&D tools are factory-tested; if this tool does not operate, check the power supply.

## EXTENSION CORD

When using the tool at a considerable distance from power source, a 3-conductor, grounding-type extension cord of **adequate size** must be used for **safety**, and to prevent loss of power and over-heating. Use the table below to determine the minimum wire size required.

Use only three wire extension cords which have three-prong grounding-type plugs and three-pole receptacles which accept the tool's plug. Replace or repair damaged cords.

Ampere rating (on nameplate)	0 to 2.0	2.10 to 3.4	3.5 to 5.0	5.10 to 7.0	7.10 to 12.0	12.1 to 16.0
Ext. Cable length	Wire Size (A.W.G.)					
25 ft.	18	18	18	18	16	14
50 ft.	18	18	18	16	14	12
75 ft.	18	18	16	14	12	10
100 ft.	18	16	14	12	10	—
150 ft.	16	14	12	12	—	—
200 ft.	16	14	12	10	—	—

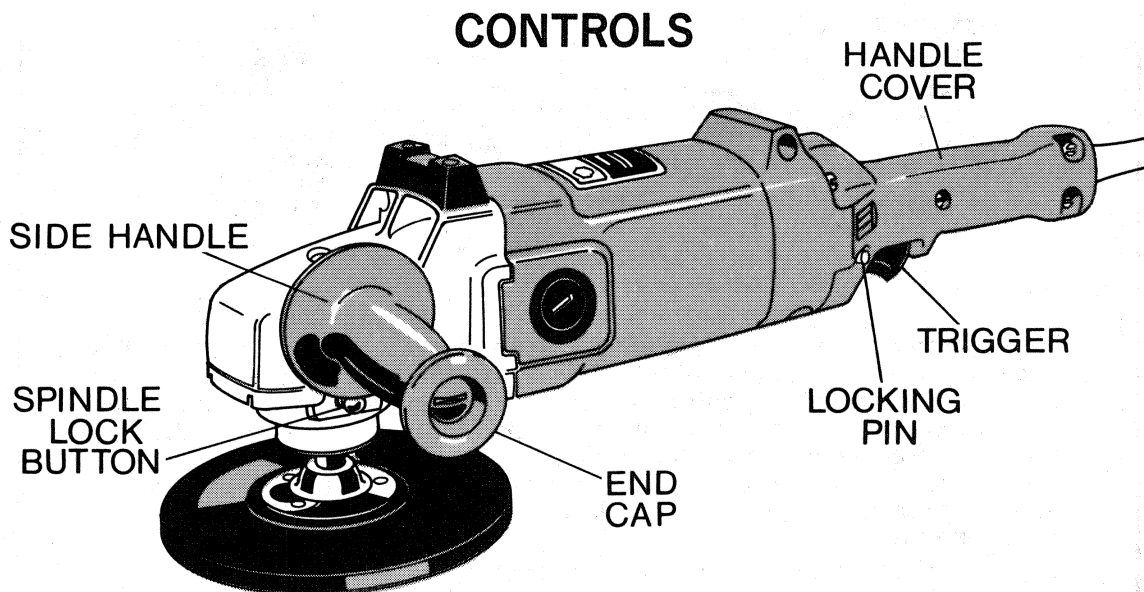


Fig. 4

**Trigger:** To start tool, depress trigger; to stop tool, release trigger. To lock trigger in "ON" position for continuous operation, depress trigger, push in locking pin and then release trigger. To release locking mechanism, depress and release trigger.  
**CAUTION:** Grasp tool firmly with both hands before starting tool.

**Side Handle:** May be attached to either side of tool for left or right handed operation. To attach Handle, turn **End Cap** to engage the bolt in the threaded hole on either side of the tool. Hold **Side Handle** so that its squared end will properly engage the socket on the side of the tool as the bolt is tightened.

**Spindle Lock Button:** Is used to lock the spindle when changing accessories. To engage the **Lock Button:** disconnect the tool from the power supply, depress the button, and turn the spindle in a direction **opposite** to its ordinary direction of rotation until Lock Button engages spindle. **CAUTION:** Do not depress spindle lock button while unit is running.

S  
A  
N  
D  
E  
R  
  
A  
C  
C  
E  
S  
S  
O  
R  
I  
E  
S

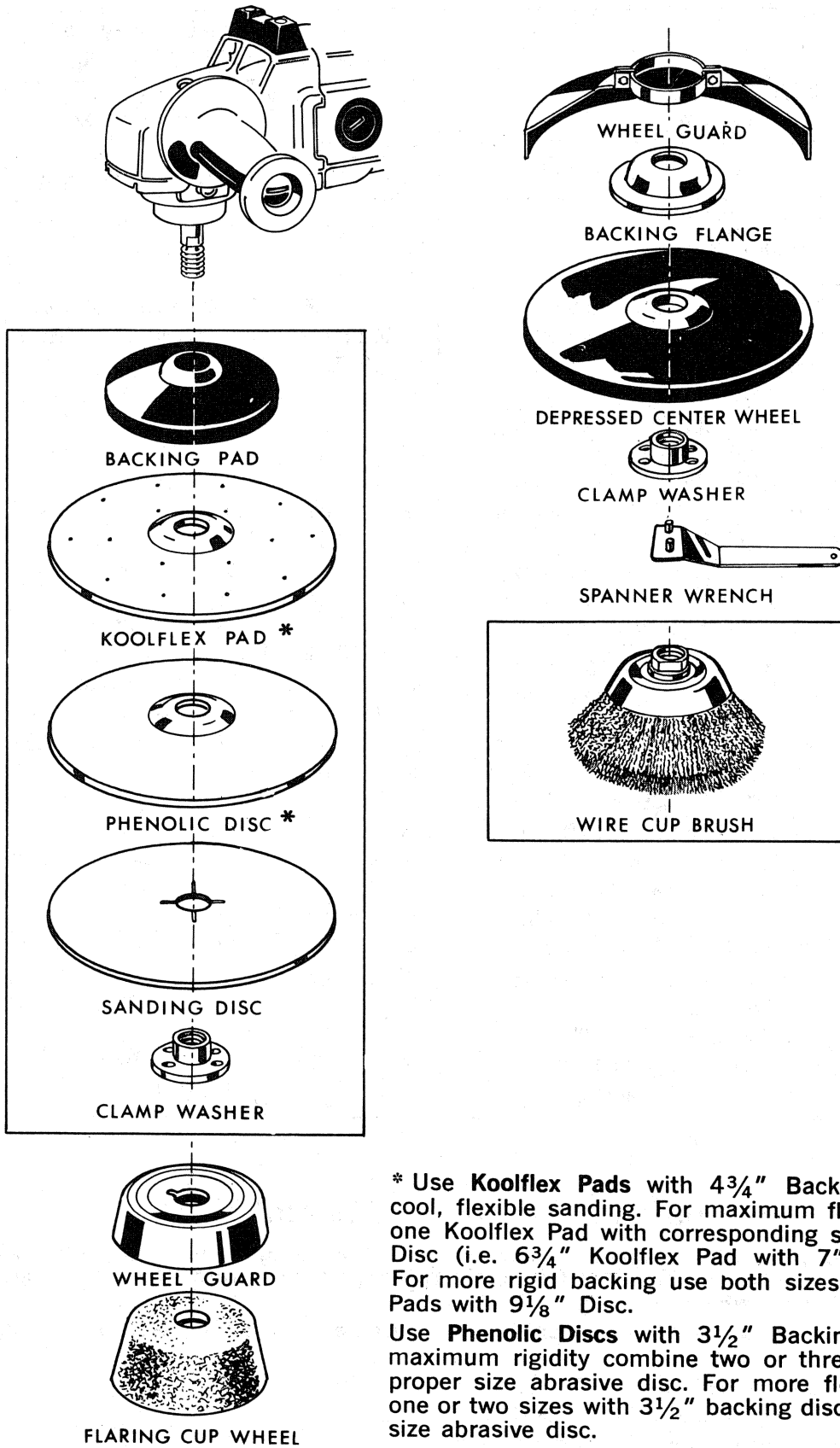


Fig. 5

\* Use **Koolflex Pads** with 4<sup>3</sup>/<sub>4</sub>" Backing Pad for cool, flexible sanding. For maximum flexibility use one Koolflex Pad with corresponding size Abrasive Disc (i.e. 6<sup>3</sup>/<sub>4</sub>" Koolflex Pad with 7" Disc). For more rigid backing use both sizes of Koolflex Pads with 9<sup>1</sup>/<sub>8</sub>" Disc.

Use **Phenolic Discs** with 3<sup>1</sup>/<sub>2</sub>" Backing Pad. For maximum rigidity combine two or three sizes and proper size abrasive disc. For more flexibility use one or two sizes with 3<sup>1</sup>/<sub>2</sub>" backing disc and proper size abrasive disc.

**DO NOT** use a Koolflex Pad and a Phenolic Disc on the tool at the same time.

**CAUTION:** See table on next page for proper sizes of accessories to use with your Sander. Use only accessories that are marked "OK" under catalog number of your tool. Instructions for attaching accessories are on pages to follow.

CATALOG NO.	BLACK & DECKER ACCESSORIES	CAT. NO. → RPM →	USE ONLY ACCESSORIES MARKED "OK" UNDER CAT. NO. OF YOUR TOOL				
			4055-09	4056-09	4054-09	4044-09	
			6105-09	6106-09		6102-09	
			5000	6000	4250	4800	8000
18056	4" WIRE CUP BRUSH		OK	OK	OK	OK	—
24353	5" WIRE CUP BRUSH		OK	OK	OK	—	—
12398	6" WIRE CUP BRUSH		OK	—	OK	—	—
38507	4" FLARING CUP WHEEL GUARD		THESE WHEEL GUARDS MUST BE USED WITH THE FLARING CUP WHEELS LISTED BELOW FOR SAFE OPERATION				
38508	5" FLARING CUP WHEEL GUARD						
38509	6" FLARING CUP WHEEL GUARD						
24050	4" FLARING CUP WHEEL		OK	OK	OK	OK	OK
23444	5" FLARING CUP WHEEL		OK	OK	OK	—	—
18039	6" FLARING CUP WHEEL		OK	OK	OK	—	—
37219	5" FLARING CUP WHEEL (CONCRETE)		OK	OK	OK	—	—
37220	6" FLARING CUP WHEEL (CONCRETE)		OK	OK	OK	—	—
61829	3½" BACKING PAD		OK	OK	OK	OK	—
50928	4¾" QUICK CHANGE BACKING PAD		OK	OK	OK	OK	—
50934	6½" QUICK CHANGE BACKING PAD		OK	OK	OK	OK	—
51824	7" QUICK CHANGE BACKING PAD		OK	—	OK	OK	—
50885	7" DEPRESSED CENTER WHEEL GUARD		THESE WHEEL GUARDS MUST BE USED WITH THE DEPRESSED CENTER WHEELS LISTED BELOW FOR SAFE OPERATION				
37109	9" DEPRESSED CENTER WHEEL GUARD						
52524	8500 RPM DEPRESSED CENTER WHEEL		OK	OK	OK	OK	OK
37111	7" X ⅛" DEPRESSED CENTER WHEEL		OK	OK	OK	OK	—
37112	7" X ¼" DEPRESSED CENTER WHEEL		OK	OK	OK	OK	—
37113	9" X ⅛" DEPRESSED CENTER WHEEL		OK	OK	OK	—	—
37114	9" X ¼" DEPRESSED CENTER WHEEL		OK	OK	OK	—	—
57430	7" X ¼" DEPRESSED CENTER WHEEL (CONCRETE)		OK	OK	OK	—	—
31000	7" "KOOLFLEX" BACKING PAD		OK	OK	OK	OK	—
31001	9" "KOOLFLEX" BACKING PAD		OK	OK	OK	OK	—
61906	5" PHENOLIC BACKING DISC		OK	OK	OK	OK	—
61907	7" PHENOLIC BACKING DISC		OK	OK	OK	OK	—
61908	9" PHENOLIC BACKING DISC		OK	OK	OK	OK	—
33493	FEATHER-EDGING ATTACHMENT		—	—	OK	—	—

## MISCELLANEOUS ACCESSORIES

**No. 54338 Disc Wheel Adaptor:** Includes Wheel Backing Flange, not threaded, #22191 Clamp Washer and #61820 Spanner Wrench for use with Depressed Center and "Koolie-hat" Wheels.

**No. 57443 Disc Wheel Adaptor:** For Depressed Center Wheel for concrete. Includes same items as above.

**No. 22191 Clamp Washer:** For Depressed Center Wheels.

**No. 50933 Clamp Washer:** For Quick-Change Pads.

**No. 45925 Clamp Washer:** Outside Threaded

**No. 61820 Spanner Wrench:** For Clamp Washers

**No. 60541 Gear Grease** (1 lb. can)

**No. 21808 Disc Trimmer:** Cuts discs down to smaller sizes as the outer edges are worn out. Takes discs of 9⅛" maximum diameter and either ⅞" or ½" center hole; trims down to 3" diameter. **No. 21753 Replacement Cutter.**

# OPERATION

## GENERAL

Without turning tool on, grasp the handles of the tool and pick the tool up, keeping the sanding disc or grinding wheel away from your body. Make sure that you have a firm grip on the handles and turn tool "ON". Operate tool without forced effort or unnecessary pressure.

To produce smooth, continuous coverage of the work, advance the tool along the work while using a long, sweeping, back and forth motion. To avoid gouging or removing more material than desired, do not hold the tool in one spot. To avoid leaving swirls on the work, do not use a spiral or circular motion.

## ACCESSORIES

**CAUTION:** Accessories for use with your Sander are specified on page 6. The use of accessories not listed for a particular tool is not recommended and may be hazardous.

### To Install Sanding Discs:

- 1) Place Quick-Change Pad and sanding disc on spindle of tool.
- 2) Screw the Clamp Washer PARTIALLY onto the spindle. (Fig. 7).
- 3) Raise the pad and sanding disc so that the hexagonal exterior of the Clamp Washer engages the hexagonal hub of the Quick-Change Pad.
- 4) With one hand, depress the spindle lock button and hold the button in. Grasp the pad and sanding disc with the other hand, and turn by hand to tighten the entire assembly (Fig. 8).

To remove pad and disc, turn pad and spindle in the direction shown in Fig. 8 to engage Spindle Lock Button, grasp the pad and disc and turn the pad and disc assembly in the opposite direction.

For maximum efficiency, the tool must be positioned so that the sanding disc is at the proper angle to the work. Fig. 9 (marked "RIGHT") illustrates how the tool is tipped slightly in order to let the maximum amount of abrasive contact the work without affecting the smoothness of the sanding action. Fig. 10 and Fig. 11 (marked "WRONG") show incorrect positions which allow either too little or too much abrasive contact. If only the outer edge of the sanding disc is used (as in Fig. 10), a rough cut surface will result. If the sanding disc is pressed flat against the work (as in Fig. 11), the cutting action will be irregular and bumpy, and the tool will be difficult to control.

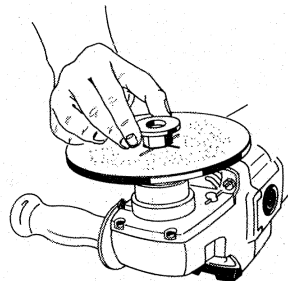


Fig. 7

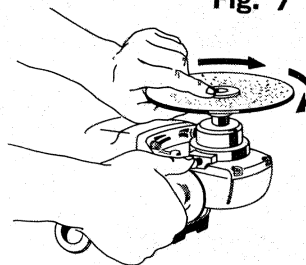


Fig. 8

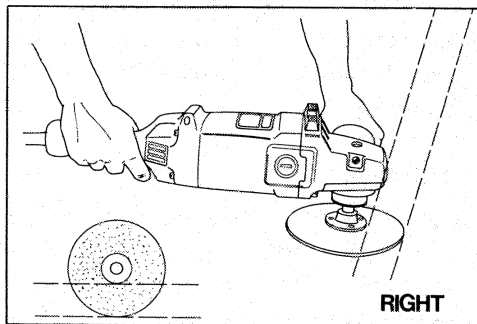


Fig. 9

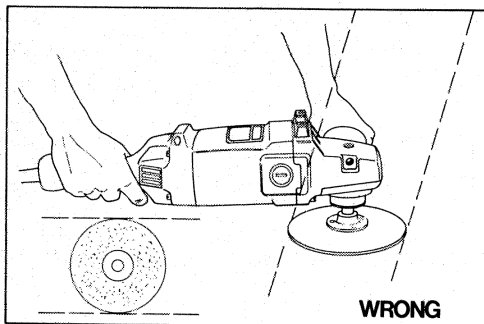


Fig. 10

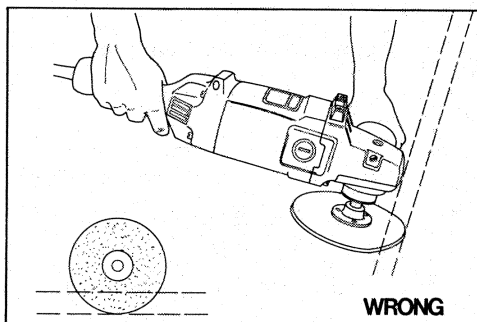


Fig. 11

## OPERATION (Continued)

### GRINDING WITH DEPRESSED-CENTER GRINDING WHEELS

Depressed Center Grinding Wheels may be used with the proper Guard Assembly for moderate metal removal on flat or contoured surfaces.

#### CAUTION:

See Page 6 for proper application of Depressed Center Grinding Wheels and Guards with your tool. The 8000 RPM Grinder uses ONLY Depressed Center Grinding Wheels rated at 8500 RPM and above (Cat. No. 52524). Use of wheels other than those listed on page 6 for a particular tool is not recommended and may be hazardous. Never use Depressed Center Grinding Wheels without the proper guard.

#### To install Depressed Center Grinding Wheels:

- 1) Be sure tool is disconnected from power supply and switch is in "OFF" position.
- 2) Be sure that Guard Assembly is securely attached to the spindle housing.
- 3) Put the Backing Flange onto the tool spindle.
- 4) Check rated speed on Depressed Center Wheel. **Never** use wheel with rated speed lower than the speed on the nameplate of the tool.
- 5) Place the Depressed Center Wheel on the tool spindle.
- 6) Thread the Clamp Washer on tool spindle, engage Spindle Lock, and tighten Clamp Washer with Spanner Wrench.

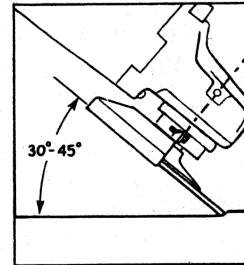


Fig. 13

When using a Depressed Center Wheel, hold the tool so that an angle of 30° to 45° exists between the wheel and the work. See Fig. 13.

### GRINDING WITH FLARING CUP GRINDING WHEELS

Use Flaring Cup Wheels for heavy metal removal or on flat areas. A 5/8"-11 thread bushing in the wheel threads directly on the Sander spindle. Flaring Cup Wheel Guards provide maximum safety when using Flaring Cup Wheels. Guard fits snugly over Wheel. Guard revolves with the Wheel and should be used only with threaded bushing type Wheels.

#### CAUTION:

See page 6 for proper application of Flaring Cup Wheels and Guards with your tool. The 8000 RPM Grinder uses ONLY Flaring Cup Wheels rated at 8500 RPM and above (Cat. No. 24050). Use of wheels other than those listed on page 6 for a particular tool is not recommended and may be hazardous. **Never** use Flaring Cup Wheels without the proper Guard.

#### To attach Wheel and Guards:

- 1) Disconnect tool from power supply.
- 2) Check rated speed of Flaring Cup Wheel. **Never** use a wheel with rated speed lower than the speed on the tool nameplate.
- 3) Engage the Spindle Lock.
- 4) Thread Flaring Cup Wheel (with Wheel Guard) on the spindle. Be sure that wheel is firmly and completely threaded on spindle.



## OPERATION (Continued)

### FLARING CUP GRINDING WHEELS (Cont.)

When grinding, tilt tool slightly—do not hold Wheel perfectly flat against the work. Avoid bouncing the Wheel or giving it rough treatment, since cracks might develop which would cause the Wheel to fly apart. Always check the Wheel for cracks before using it, especially if tool may have been dropped. Always use a Wheel Guard.

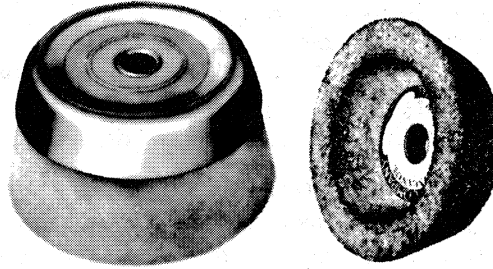


Fig. 14

### USE OF WIRE CUP BRUSHES

Use Wire Cup Brushes for removing rust, scale, old paint, etc.

**CAUTION:** See page 6 for proper application of Wire Cup Brushes with your tool. Use of brushes other than those listed on page 6 for a particular tool is not recommended and may be hazardous.

#### To attach:

- 1) Disconnect tool from power supply.
- 2) Check rated speed of Wire Cup Brush. **Never** use a brush with rated speed lower than the speed on the tool nameplate.
- 3) Engage the Spindle Lock.
- 4) Thread Brush firmly onto spindle up against spindle shoulder. Be careful not to run strands of wire into your hand. A heavy rag or flat wrench may be used when tightening the Brush on the spindle.

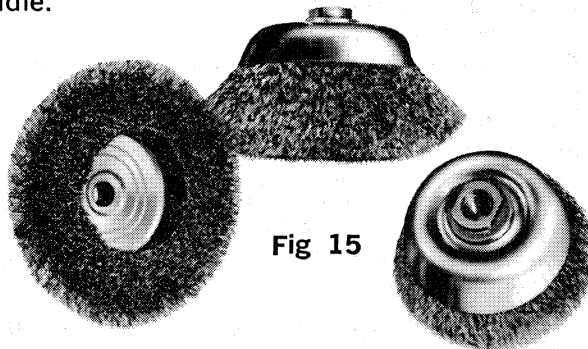


Fig 15

For best operating results, the tool should be tipped slightly and used with a back and forth sweeping motion along the surface of the work.

# MAINTENANCE OF TOOL

## See Figure 16

To assure product safety and reliability, repairs, maintenance and adjustment (other than listed below) should be performed by Black & Decker Service Centers or other qualified service organizations, always using Black & Decker replacement parts.

### Cleaning:

The air intake openings in the handle should be kept free and clear of dust and dirt by blowing through them occasionally with an air hose. If more thorough cleaning within the motor housing is required, follow the disassembly procedure outlined below.

**CAUTION:** Never use solvents or other harsh chemicals for cleaning the non-metallic parts of the tool. Use clean, dry rag only.

### Disassembly of Unit for Cleaning

- 1) Disconnect tool from power supply.
- 2) Remove handle cover. (See Figure 4).
- 3) Remove Brush Caps, Brush Assemblies and Brass Inserts. (See Figure 16).
- 4) Remove the (4) screws holding the Gear Case-Armature Assembly to the Field Case.
- 5) Pry Gear Case-Armature Assembly out of Field Case.
- 6) Remove Gear Case-Armature Assembly from Field Case avoiding force when pulling green Ground Wire through Field Case. Guide green Ground Wire on handle end of Field Case as required.

### Assembly Procedure

- 1) Ground Wire must be securely connected to the Gear Case-Armature Assembly.
- 2) Position Baffle in the Field Case. Note: Two locating pins on the Baffle engage holes in the Field Case and the green Ground Wire must be in the notch in the outer edge of the Baffle.
- 3) Pull green Ground Wire on handle end of Field Case while Gear Case-Armature Assembly is inserted into Field Case. No slack wire may remain in the Gear Case or the Field Case.
- 4) Tuck excess Ground Wire into space between Field Case and Handle.
- 5) Replace Gear Case-Armature Assembly mounting screws (4).
- 6) Replace Handle Cover.
- 7) Replace Brass Inserts, Brush Assembly and Brush Caps.

### Brushes:

Inspect carbon brushes often. Replace when brushes are worn down to the identifying groove or when spring exerts insufficient pressure to hold brush against commutator. Keep brushes clean and sliding free in guides.

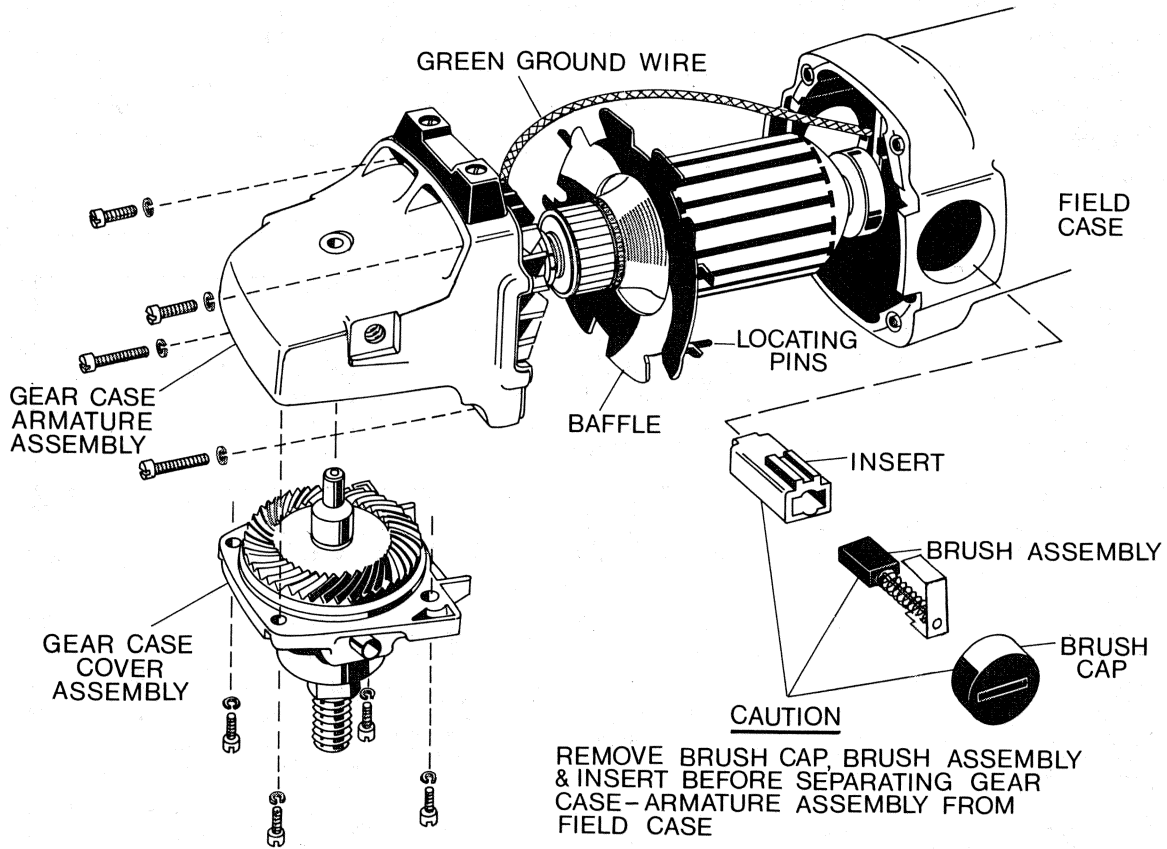
To remove brushes:

- 1) Disconnect tool from power supply.
- 2) Remove Brush Cap.
- 3) Pry sheet metal cap on Brush Assembly off of brass Insert.

### Lubrication:

Except for the needle roller bearings used at the upper end of the spindle, closed-type, grease-sealed ball bearings are used throughout. These bearings have sufficient lubrication packed in them at the factory to last the life of the bearing. The needle bearings mentioned above receive their lubrication from the grease in the gear case. Gears should be lubricated every 60 to 90 days in accordance with the following procedure:

- 1) Remove the (4) Screws and pry the Gear Case Cover Assembly from the Gear Case-Armature Assembly.
- 2) Wipe out old grease from Gear Case and Cover.
- 3) Place 3 oz. (Cat. Nos. 4044-09, 6102-09) or 4 oz. (Cat. Nos. 4054-09, 4055-09, 4056-09, 6105-09, 6106-09) of Black & Decker Lubricant (Cat. No. 60541 — 1 lb. can) on top of Gear.
- 4) Re-assemble Gear Case Cover Assembly to Gear Case-Armature Assembly **carefully** so that Gear meshes properly with Pinion.



**Figure 16**

# COMMERCIAL / INDUSTRIAL USE WARRANTY

Black & Decker warrants this product for one year from date of purchase. We will repair without charge, any defects due to faulty material or workmanship. Please return the complete unit, transportation prepaid, to any Black & Decker Service Center or Authorized Service Station listed under "Tools Electric" in the yellow pages. This warranty does not apply to accessories or damage caused where repairs have been made or attempted by others.

## IMPORTANT!

To assure product SAFETY and RELIABILITY, repairs, maintenance and adjustment (excluding maintenance printed in this manual) should be performed by BLACK & DECKER Service Centers or other qualified service organizations, always using BLACK & DECKER replacement parts.

## FACTORY SALES & SERVICE CENTERS

	Area Code	Telephone No.		Area Code	Telephone No.
ALABAMA: Birmingham 35209, 10 Green Springs Highway	205	942-0538	NEBRASKA: Omaha 68102, 2218 Leavenworth Street	402	345-2330
ARIZONA: Phoenix 85004, 537 E. McDowell Rd.	602	258-1332	NEW JERSEY: Paterson (Little Falls) 07424, Rt. 46 East, at Lower Notch Rd.	201	256-9373
ARKANSAS: Little Rock, 72201, 519 West Seventh Street	501	372-3040	Union 07083, 2305 U. S. Highway 22 West	201	964-7040
CALIFORNIA: Anaheim 92802, 1235 So. Euclid Ave.	714	772-4050	(1 Block West of Flagship)	505	345-2503
Fresno 93703, 2518 North Blackstone Avenue	209	224-2152	NEW MEXICO: Albuquerque 87107, 2812 Candelaria Road N.E.	518	785-1867
Los Angeles 90007, 2432 S. Broadway	213	749-0371	NEW YORK: Albany (Latham) 12110, 836 Troy-Schenectady Rd.	518	884-6220
Oakland (San Leandro) 94578, 15206 E. 14th St.	415	276-1610	Buffalo 14209, 881 W. Delavan Ave.	716	829-9504
Orange 92668, 822 Town and Country Road (Sales only)	714	547-7667	Great Neck 11021, 98 Cuttermill Rd. (Sales only)	516	937-6140
Riverside 92506, 4010 Merrill Ave.	714	987-9700	New York 11590, 1059 Old Country Road (Westbury, L.I.)	516	212-792-2700
Sacramento 95814, 1915 Seventeenth Street	916	444-3188	New York 10462, 1894 E. Tremont Avenue (Bronx)	212	929-6450
San Diego 92105, 3811 El Cajon Blvd.	714	280-3331	New York 10014, 227 Varick St. (Manhattan)	212	335-1042
Santa Clara 95050, 2291 The Alameda	408	241-9162	Rochester 14623, 2969 West Henrietta Road	716	461-3580
S. San Francisco 94080, P.O. Box 231, 1139 Airport Blvd.	415	871-7278	Syracuse 13224, 2140 Erie Blvd. E.	315	446-3086
Van Nuys 91411, 14920 Victory Blvd.	213	787-5531	Westbury 11590, 1059 Old Country Rd. (L.I.)	516	997-6140
COLORADO: Denver 80219, 1171 South Federal Boulevard	303	922-8325	Yonkers 10710, 2347 Central Park Avenue	914	779-3810
CONNECTICUT: Bridgeport 06603, 1055 Lafayette Circle	203	368-3419			
Hartford 06114, 131 Meadow Street	203	249-6421			
DISTRICT OF COLUMBIA: Washington					
Bladensburg, Maryland 20710, 4501 Baltimore Ave.	301	779-3908	NORTH CAROLINA: Charlotte 28205, 3007 E. Independence Blvd	704	374-1779
Falls Church, Virginia 22046, 129 Annandale Road	703	533-1147	Fayetteville 28302, P.O. Box 424, Highway 301, S.	919	425-9552
Rockville, Maryland 20852, 1020 Rockville Pike	301	340-7377	Greensboro 27403, 1010 W. Lee Street	919	275-0906
FLORIDA: Jacksonville 32208, 5224 Park Street	904	356-2951	Raleigh 27604, 2420 Atlantic Avenue	919	834-8207
Miami 33168, 13345 N. W. Seventh Avenue	305	681-6658			
Orlando 32806, 940 S. Orange Ave.	305	423-1651	OHIO: Cincinnati 45241, 2310 E. Sharon Rd.	513	772-3111
Tampa 33609, 3401 W. Kennedy Blvd.	813	872-8317	Cleveland 44113, 3901 Detroit Ave.	216	651-4243
GEORGIA: Atlanta 30313, 316 Techwood Drive, N.W.	404	524-0431	Columbus 43227, 3975 E. Livingston Ave.	614	237-0461
Atlanta 30354, 3271 Hamilton Blvd., S.W. (Sales only)	404	763-1300	Dayton 45409, 2898 South Dixie Drive	513	298-1951
HAWAII: Honolulu 96813, 675 Auahi Street	808	536-9374	Toledo 43607, 3231 Dorr St.	419	531-9921
ILLINOIS: Chicago 60610, Addison, 1710 W. Armitage Court	312	261-8630	OKLAHOMA: Oklahoma City 73106, 1318 Linwood Blvd.	405	232-7515
Chicago 60646, Lincolnwood, 6710 N. Crawford Ave.	312	673-0923	Tulsa 74145, 3120 South Sheridan Road	918	622-5866
Chicago 60453, Oak Lawn, 6343 West 95th St.	312	423-7212	OREGON: Portland 97209, 1640 N.W. Johnson Street	503	228-8631
Des Plaines 60018, 2180 S. Wolf Rd. (Sales only)	312	827-0083	PENNSYLVANIA: Allentown (Whitehall) 18052, 2242 MacArthur Rd.	215	435-9544
Rock Island 61201, 725 30th Street	309	788-1744	Harrisburg 17112, 6070 Allentown Blvd.	717	545-0651
INDIANA: Evansville 47710, 307 First Ave., Crescent Center	812	425-4269	Lancaster 17604, 715 Fountain Ave.	717	393-5251
Hammond 46323, 7103 Kennedy Ave.	219	845-5100	Philadelphia 19103, 333 No. 20th Street (Service only)	215	564-5520
Indianapolis 46202, 1125 W. 16th Street	317	632-5559	Pittsburgh 15232, 5437 Baum Blvd.	412	362-2700
IOWA: Des Moines 50312, 2811 Ingersoll Ave.	515	244-7257	Wayne 19087, 125 Stratford Avenue, Stratford Building #3 (Sales only)	215	688-0267
KANSAS: Wichita 67214, 203 N. Mathewson Street	316	263-6571	RHODE ISLAND: E. Providence 02914, 2777 Pawtucket Ave.	401	434-1655
KENTUCKY: Louisville 40209, 4407 Park Blvd.	502	366-1495	SOUTH CAROLINA: Greenville 29601, 407 Pendleton St.	803	232-3038
LOUISIANA: Metairie (New Orleans) 70002, 3310 N. Causeway Blvd.	504	837-2550	TENNESSEE: Knoxville 37917, 4110 North Broadway	615	688-0921
MARYLAND: Baltimore 21211, 203 West 28th Street	301	467-7411	Memphis 38116, 986 East Brooks Rd.	901	332-3444
Baltimore 21205, 4712 Erdman Ave.	301	485-5550	Nashville 37203, 601 Eighth Ave. S.	615	254-1061
Bladensburg (Wash. D.C.) 20710, 4501 Baltimore Ave.	301	779-3808	TEXAS: Amarillo 79106, 3008 West 6th Ave.	806	373-1531
Rockville 20852, 1020 Rockville Pike	301	340-7377	Dallas 75207, 1808 N. Industrial Blvd. (Service only)	214	741-6401
Towson (Balt.) 21204, 701 East Joppa Rd.	301	828-2910	Dallas 75247, 7701 Stemmons Freeway (Sales only)	214	630-6021
MASSACHUSETTS: Boston (Brighton) 02135, 12 Market St.	617	782-6264	El Paso 79925, 1400 Magruder Street	915	778-9769
MICHIGAN: Detroit 48219, 18133 W. McNichols Rd.	313	534-8880	Fort Worth 76103, 1801 Bomar Street	817	336-0175
Detroit 48234, 11360 East Seven Mile Rd.	313	527-5010	Houston 77022, 536 E. Tidwell Rd.	713	692-7111
Flint 48504, G-4083 Clio Road	313	789-6191	San Antonio 78201, 500 Culebra Avenue	512	732-1221
Grand Rapids 49509, 3662 Clyde Park Ave., S.W.	616	534-7708	UTAH: Salt Lake City 84115, 1541 S. Third West Street	801	486-5828
Southfield 48076, 21411 Civic Center Drive (Sales only)	313	353-3480	VIRGINIA: Falls Church 22046, 129 Annandale Road	703	533-1147
MINNESOTA: Bloomington (Minneapolis-St. Paul) 55420, 9712 Garfield Ave.	612	884-9191	Norfolk 23513, 7631 Sewells Point Road	804	480-3333
MISSOURI: Kansas City 64111, 4324 Main St.	816	531-0629	Richmond 23222, 1424 Chamberlayne Ave.	804	649-9245
Kansas City 64111, 4324 Main St. (Sales only)	816	531-0633	WASHINGTON: Seattle 98109, 701 Third Ave., N.	206	282-6432
St. Ann 63074, 10933 St. Charles Rock Road	314	739-4661	Spokane 99207, 3550 North Market Street	509	469-9164
St. Ann 63074, 10933 St. Charles Rock Road (Sales only)	314	291-2772	WEST VIRGINIA: Charleston 25312, 1638 Sixth Ave.	304	343-0289
St. Louis 63110, 615 S. Vandeventer Ave. (Service only)	314	533-2210	WISCONSIN: Milwaukee (West Allis) 53227, 10903 W. Lincoln Ave.	414	543-9590
St. Louis 63110, 615 S. Vandeventer Ave. (Sales only)	314	291-2772			

### BLACK & DECKER MFG. CO., Limited, Canada

BROCKVILLE, ONTARIO	Perth Street	7865 St. Lawrence Blvd.	
CALGARY, ALBERTA	1003 11th Avenue, S. W.	OTTAWA, ONTARIO	418 Laurier Avenue, West
DON MILLS (Toronto)	2 Valleybrook Drive	QUEBEC CITY, P. Q.	330 St. Roch Street
EDMONTON, ALBERTA	11440 Ave.—142 Street	REGINA, SASKATCHEWAN	1076 Albert Street
HALIFAX, NOVA SCOTIA	803 McLean Street	SASKATOON, SASK.	Diamond Ind. Center, Quebec & 33rd St.
HAMILTON, ONTARIO	180 Parkdale Ave., N.	VANCOUVER 10, B. C.	24 West 2nd Ave.
LONDON, ONTARIO	631 Commissioners Rd., East	WINNIPEG 10, MANITOBA	934 St. James St.



THE BLACK & DECKER MFG. CO., TOWSON, MARYLAND 21204, U.S.A.