



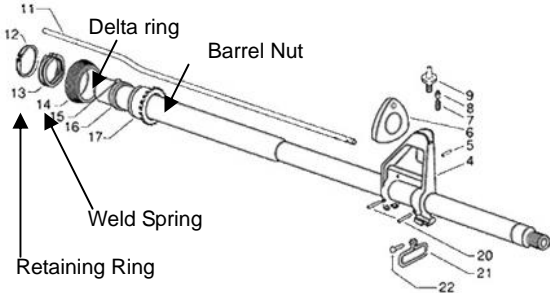
GEMTECH
BOISE, ID

GEMTECH, BOISE, ID. LICENSED MAD BULL AIRSOFT TALON Rail User Manual



NOTE: WEAR GOGGLE AT ALL TIMES

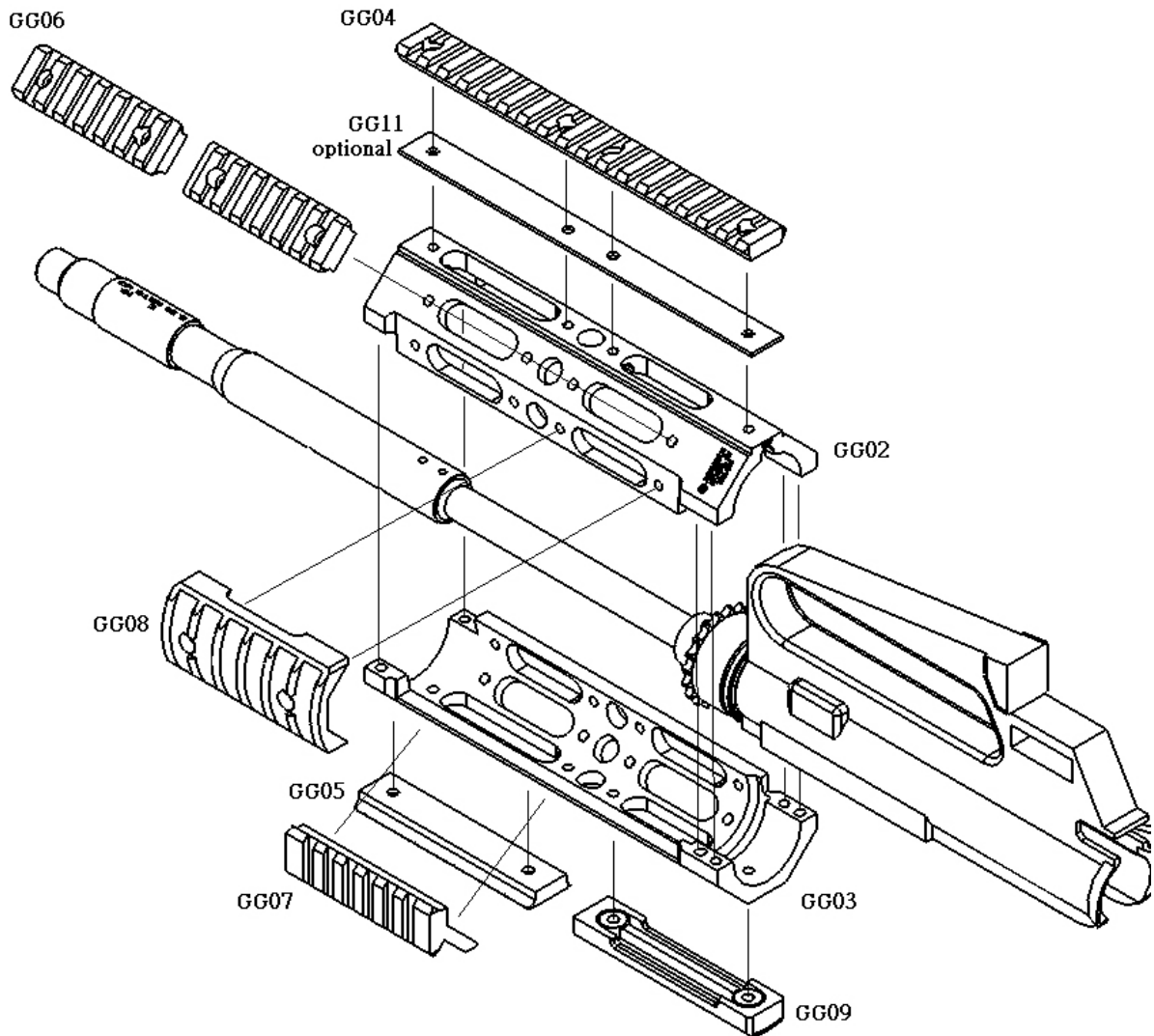
Step 01 : Disassemble original M4 hand guards, outer barrel, Delta ring, weld spring and retaining ring. Only leave "Barrel Nut."
(Please consult experts. You may need M4/M16 wrench for quick disassemble.)



Step 03 : Assemble upper and lower part of rail (GG02+GG03) with 4 screws and assemble the rest of rails and rail covers. (See picture below)

NOTE: GG11 is an optional part for CA's M4. In order to make upper rail (GG04) and the upper receiver rail at the same height, you can add GG11 to adjust the height of upper rail (GG04.)

NOTE: The real gun is using gas tube to connect the TALON and upper receiver. Airsoft rifle doesn't have gas tube and TALON will be taken off easily. We will suggest you to purchase MAD BULL RAS FIX (Scope raiser mount) to connect both TALON and upper receiver.



Product Advisory for ALL Airsoft/ Paintball related products

WARNING:

Don't change, obscure, alter, remove, or obliterate any coloration or markings on this gun. The coloration and/or marking on this product, including the blaze orange barrel tip are designed to comply with applicable state and federal law and regulations.

WARNING:

This product may be mistaken for a firearm by law enforcement officers or others. Any person who changes, alters, removes, or obliterate any coloration or markings that are required by state or federal law or regulation, in any way that makes this product look more like a firearm is guilty of a misdemeanor.

WARNING:

The open display, brandishing and/or exposing of this product in any "public place" may cause confusion and may be a crime. The term "public place" means any area opened to public, including but not limited to, streets, sidewalks, bridges, alleys, plazas, parks, driveways, front yards, parking lots, automobiles, whether moving or not, and buildings opened to the general public including those that serve food or during, or provide entertainment, and the doorways and entrances to buildings or dwellings.

WARNING:

Every person who, except in self-defense, draws or exhibits this product in a threatening manner against another in such a way as to cause a reasonable person apprehension or fear of bodily harm is guilty of a misdemeanor punishable by imprisonment in the county jail for a term of not less than 30 days.