



SABER™

STRIDE 2

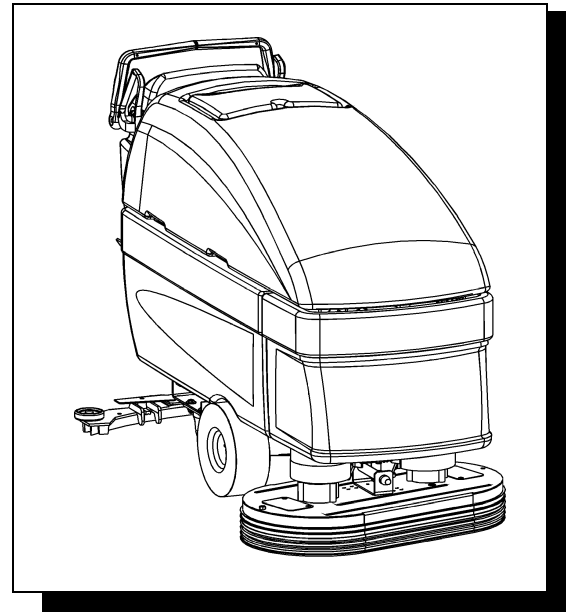
OWNER'S GUIDE

Operating Instructions (GB/USA)
Instrucciones de Manejo (ESP)
Mode d'emploi (FR)
Bedienungsanweisung (GER)
Mode de Empleo (ITA)

MODELS COVERED IN THIS GUIDE:

SABER

MODEL	TYPE	POWER SOURCE
S28	28" Disc	36V Battery
S34	34" Disc	36V Battery
S34SP	34" Cylindrical Head	36V Battery



STRIDE II

MODEL	TYPE	POWER SOURCE
QQS28	28" Disc	36V Battery
QQS34	34" Disc	36V Battery
QQS34SP	34" Cylindrical Head	36V Battery



QUEST® ... for Continuous Improvement.
Windsor's Quality Management System is Certified ISO 9001.

Read these instructions before operating the machine

Antes de usar la máquina lea atentamente el libro de instrucciones

Lire attentivement le mode d'emploi avant la mise en service de la machine

Vor Inbetriebnahme der Maschine Bedienungsanweisung lesen

Leggere queste istruzioni prima di usare la macchina

REV.

Y

MACHINE DATA LOG

MODEL	_____
DATE OF PURCHASE	_____
SERIAL NUMBER	_____
SALES REPRESENTATIVE #	_____
DEALER NAME	_____
OPERATIONS GUIDE NUMBER	_____
PUBLISHED	_____

Copyright 1995 Windsor Industries, Printed in USA

YOUR DEALER	
Name:	_____
Address:	_____
Phone Number:	_____

For the name and address of your dealer contact: Windsor Ind.

OVERVIEW

The **SABER/STRIDE II** is a battery powered, self propelled, hard floor scrubber intended for commercial use. This appliance applies a cleaning solution onto a hard floor, scrubs the floor with brushes, and then vacuums the soiled water back into the recovery tank.

USING THIS MANUAL

This Owner's Guide has two parts: The first section of the manual is to familiarize the operator with the operation and functions of the machine. The second, has to do with normal owner maintenance.

OPERATIONS

Machine Data Log 2
Table of Contents 3
Safety 4
Technical Specifications 5
Operation Controls 6
Machine Operation 7

MAINTENANCE

Scrub Brushes 9
*Scrub Deck Skirt
/Squeegee Blades* 10
Adjusting Squeegee 11
Batteries 12
Service Schedule 14
Squeegee Blade/Brush Head Options 15
Service Location Details 16

PARTS LIST

Main Frame Assembly 18
Brake/Squeegee Lift Assemblies 20
Rear Panel Mechanical 22
Control Panel Cover 24
Electrical Panel Assembly 26
Recovery Tank Assembly 28
Solution Tank Assembly 30
Squeegee Assembly 32
Brush/Deck Lift Assembly 34
Scrub Head Assembly 36
Cylindrical Head Assembly 38
Hopper Assembly 40
Automatic Squeegee Lift 42
Wiring Diagram 44
Notes 45
Warranty 46

SAFETY

The following symbols are used throughout this guide as indicated in their descriptions:

HAZARD INTENSITY LEVEL

There are three levels of hazard intensity identified by signal words **WARNING** and **CAUTION** and **FOR SAFETY**. The level of hazard intensity is determined by the following definitions:

WARNING

WARNING - Hazards or unsafe practices which **COULD** result in severe personal injury or death.

CAUTION

CAUTION - Hazards or unsafe practices which could result in minor personal injury or product or property damage.

FOR SAFETY: *To Identify actions which must be followed for safe operation of equipment.*

Report machine damage or faulty operation immediately. Do not use the machine if it is not in proper operating condition.

Following is information that signals some potentially dangerous conditions to the operator or the equipment. Read this information carefully. Know when these conditions can exist. Locate all safety devices on the machine. Please take the necessary steps to train the machine operating personnel.

For SAFETY:

DO NOT OPERATE MACHINE:

- Unless Trained and Authorized.
- Unless Operation Guide is Read and understood.
- In Flammable or Explosive areas.
- In areas with possible falling objects.
- Before use all covers and doors shall be put in the positions specified on the instructions

WHEN USING MACHINE:

- Use caution when backing machine.
- Do not carry riders on the machine.
- During operation attention shall be paid to other persons, especially children.
- Always follow basic safety and traffic rules.
- Go slow on slippery surfaces and grades.
- When leaving unattended, secure against unintentional movement.

BEFORE LEAVING OR SERVICING MACHINE:

- Stop on a level surface.
- Set the parking brake.
- Turn off the machine.
- Remove key from switch.

WHEN SERVICING MACHINE:

- Avoid moving parts. Do not wear loose clothing; jackets, shirts, or sleeves when working on the machine.
- Block machine tires before jacking machine up.
- Use hoist or jack of adequate capacity to lift machine.
- Disconnect battery connections before working on machine.
- Avoid contact with battery acid.
- Use Windsor supplied replacement parts.

CAUTION

This machine is not suitable for picking up health endangering or hazardous dust.

WARNING

This appliance has been designed for use with the brushes specified by the manufacturer. The fitting of other brushes may affect its safety.

WARNING

Batteries emit hydrogen gas. Explosion or fire can result. Keep sparks and open flame away. Keep covers open when charging.

WARNING

Flammable Materials Or Reactive Metals Can Cause explosion or fire. Do Not Pick Up These Materials.

WARNING

Hazardous Voltage. Shock can result. Disconnect batteries before working on machine. Only qualified personnel should work inside machine.

WARNING

Machine can emit excessive noise. Consult with your regulatory agency for exposure limits. Hearing loss can result. Wear hearing protection.

TECHNICAL SPECIFICATIONS

MODEL: SABER/STRIDE II 28/34

Year of Construction: 1998

Nominal Power: 2.88 kW

Mass: 850kg

Rated Voltage: 36VDC

Rated Amperage: 80 amps

Cleaning Path: 28" (2 x 14") S28, QQS28
34" (2 x 17") S34, QQS34
34" (CYL) S34SP, QQS34SP

Drive Motor: .5 hp

Brush Motor: .75 hp

Brush Pressure: 0-200 lbs.

Brush Speed: 200 rpm

Solution Control: Gravity feed, fully variable with automatic shut-off in neutral.

Solution Tank: 33 gal.

Recovery Tank: 33 gal.

Electrical System: 36 volt, 6 x 6 volt 250-350 A/H

Tires: 12" pneumatic

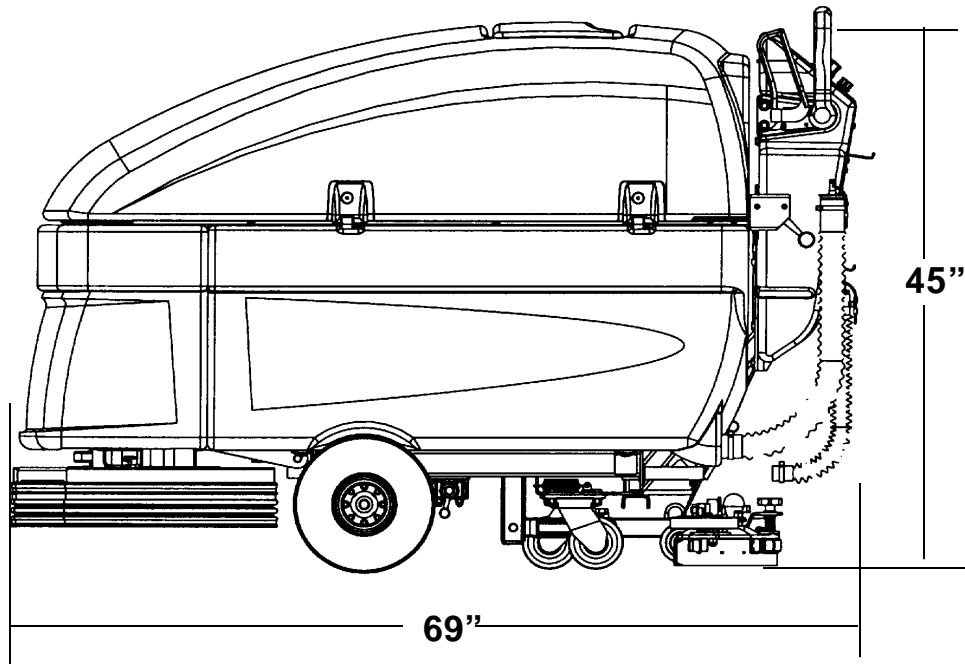
Dimensions: (LxWxH) 69" x 36" x 45"

Special NOTES:

The sound pressure level at the operator's ear was measured to be 74 dBA. This was a nearfield, broad-band measurement taken in a typical industrial environment on a tile floor. This appliance contains no possible source of impact noise. The instantaneous sound pressure level is below 63 Pa.

The weighted root mean square acceleration at the operator's arms was measured to be below 2.5 m/s. This was a tri-axial, third-octave-band measurement made during normal operation on a composite tile floor. The measurement and related calculations were made in accordance with ANSI S3.34-1986.

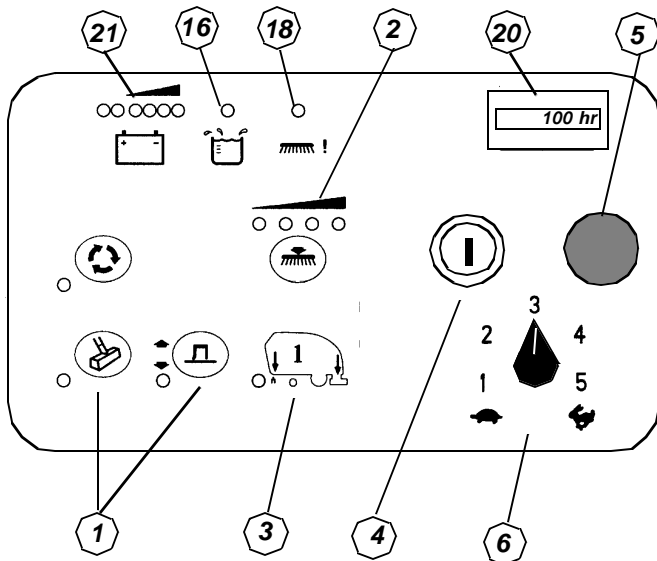
View: Side view of machine



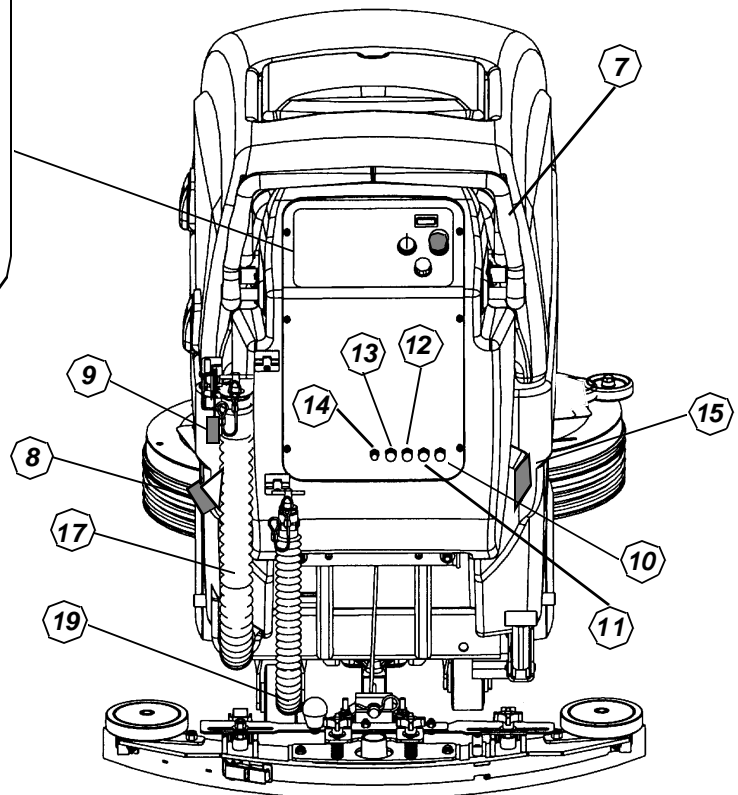
OPERATION CONTROLS

1. **Squeegee /Vacuum Switches.** Turns on and off the vacuum and squeegee system separately if desired.
2. **Brush Pressure Indicator/Switch.** Sets brush pressure on floor with LED's to show pressure level.
3. **One Touch Switch.** Activates scrubbing and vacuuming functions. Pressing once turns "ON". Pressing twice turns "OFF" scrubbing and vacuuming functions.
4. **Key Switch.** Turns ON and OFF the machine.
5. **Emergency Stop Switch.** Cuts off power to the machine.
6. **Speed Control Lever.** Controls the machines overall speed.
7. **Direction Control Lever.** Simply push the lever forward or pull the lever toward you to move the machine in the direction you choose.
8. **Height Adjustment Handle.** Adjusts the height of the handle and rear panel.
9. **Solution Control Lever.** Pulling lever up turns solution flow off to scrub deck. Pushing down increases solution flow to scrub deck.
10. **Traction Motor Circuit Breaker.** 25 Amp. Protects the traction drive electrical system.
11. **Vac Motor Circuit Breaker.** 25 Amp. Protects vac motor from damage.
12. **Brush Motor Circuit Breaker (Right brush).** 30 Amp. Protects brush motor system.
13. **Brush Motor Circuit Breaker (Left brush).** 30 Amp. Protects brush motor system.
14. **Actuator Motor Circuit Breaker.** 3 Amp. Protects actuator lifting system.
15. **Squeegee Lift Lever.** Raises and lowers the squeegee.
16. **Recovery Tank Full Indicator.**
17. **Recovery Tank Drain Hose.**
18. **Brush Circuit Breaker Indicator.**
19. **Solution Tank Drain Hose.**
20. **Hour Meter.** Tracks operating hours and is helpful for scheduling service.
21. **Battery Charge Level Indicator.** Displays the existing power level of the battery.

DETAIL: Touch pad control panel



VIEW: Rear view of machine



STARTING MACHINE

NOTE: Perform pre-run machine check before operating machine.

FOR SAFETY: Before starting machine, make sure that all safety devices are in place and operating properly.

1. Turn the key switch clockwise to the "ON" position.
Move the directional control lever in the desired direction.

FILLING THE SABER/STRIDE II

FOR SAFETY: Before leaving or servicing machine; stop on level surface, set parking brake, turn off machine and remove key.

1. Set the parking brake, and turn "OFF" key switch.
2. Remove solution tank cover.
3. Fill the solution tank with clean water, leaving enough room for the required amount of cleaning solution. The solution tank capacity is 33 gallons (124.9 liters). The water must not be hotter than 140°F (60°C) to prevent damage to the tank.
4. **Measure** the chemical into the solution tank. Liquid chemicals should be added to the solution tank after filling with water. Dry chemicals should be thoroughly mixed before being added into solution tank. Commercially available, high alkaline floor cleaners are suitable for use in the **SABER/STRIDE II** solution system.

NOTE: Read the chemical manufactures recommended proportion instructions.

5. Fill the solution 5" from the bottom of the fill inlet.
6. Replace solution tank cover.

WARNING

Flammable materials can cause an explosion or fire. Do not use flammable materials in the tanks

SCRUBBING WITH THE SABER/STRIDE II

Plan the scrubbing pattern in advance. The longest track is around the perimeter of the area to be cleaned. For efficient operation, the runs should be the longest possible without turning, stopping, or raising and lowering scrub deck/squeegee.

NOTE: In order to achieve the best possible results, the area which is to be cleaned should be swept before scrubbing. Large debris, strings, wire must be removed to prevent being caught in brushes or squeegee.

BEGIN SCRUBBING

1. Turn key switch to "ON" and release the brake.
2. Travel to the start of the scrub pattern. Press the brush button number 1 on the console touch pad to start the vacuum, brush motors, and lower scrub deck and manually lower squeegee to the floor.
3. Press the scrub pressure button to the desired scrubbing pressure.
4. Finally adjust the solution flow using lever to the left of the control panel.

STOP SCRUBBING

1. Raise the scrub head, again using button number 1. Allow directions lever to return to neutral position after squeegee has passed beyond the position where the scrub deck was raised. Vacuum motor will cut off after an additional 14 second delay in order to clear the recovery system of solution.
2. Turn the key switch "OFF" and set the parking brake.
3. Pull back solution knob to full off position if scrubbing operation is complete.

MACHINE OPERATION

DOUBLE SCRUB

Floors which are heavily soiled or have thick accumulations of floor finish may not clean sufficiently with one pass. In these cases it will be necessary to double scrub.

To double scrub, begin scrubbing as usual, but after pushing number 1, press the squeegee button to turn off vac motor. Manually raise the squeegee. Make the first pass over the surface being cleaned with the solution on, and brushes down and squeegee up. This allows the solution to stay in contact with the soil while loosening the surface accumulation with the brushes. Allow time for the first application to stay in contact with floor. Length of time between the first and second pass depends on amount of accumulation and the type of chemical being used. A second scrubbing with the squeegee down and again the solution and brushes on will further loosen soil. The additional application of solution will further assist the difficult cleaning job.

EMPTYING AND CLEANING TANKS

RECOVERY TANK

1. Park the **SABER/STRIDE II** next to a floor drain. Drain hose is on left rear corner of machine.
2. Turn “**OFF**” the key switch and set the machine parking brake.
3. Unhook the large drain hose from the retainer and unscrew T-handle on plug enough to release the plug, then lower hose in direction of the drain. Recovered solution will come out with some force.
4. The recovery tank should then be flushed out with clean water. Hinge solution tank open to access recovery tank.
5. If machine is to be stored, leave solution tank hinged open.

SOLUTION TANK

1. Drain solution tank by unhooking the small solution drain hose from left rear of tank.
2. Loosen T-handle on plug enough to remove plug. Allow tank to drain completely.
3. Flush tank of all chemical solution.
4. Run several gallons of clean water through system.

NOTE: Never allow solution to remain in tank. Damage to tank, seals and valves could occur.

SCRUB BRUSHES

NOTE: All original equipment brushes are equipped with "Perform Alert®. This feature will tell the operator when it is time to replace the scrub brushes. "Perform Alert® brushes have bright yellow tufts located on these tufts are pre-trimmed to indicate the length of a worn out brush. When the tufts in the scrub brush wear to a length equal to the yellow tufts, the scrub brushes should be replaced.

There are five different types of brushes available to cover applications from cleaning heavily soiled floors to polishing. A pad driver is also available to take advantage of the many cleaning pads on the market and further add to the flexibility of the **SABER/STRIDE II**. Please refer to the following to assist in selecting the proper brush or pad for the work at hand.

UNCOATED FLOORS

Aggressive Grit is a nylon fiber impregnated with silicone carbide grit. It grinds away stain, soil, and removes surface material

Mild Grit is a less aggressive silicone carbide grit suitable for cleaning medium soil conditions. Advantages are faster ground speed than nylon bristles on light solid applications.

Nylon is a general purpose scrub brush with stiff bristles. Polypropylene works well for maintaining concrete, wood, and tile floors.

FINISHED FLOORS

Nylon Polish is the softest brush. It will gently clean finished tile or terrazzo floors without removing floor finish or floor material. Used for washing highly polished or burnished floors.

Nylon bristles are used in a variety of applications on coated or uncoated surfaces.

White Pads (Polishing) are used for dry polishing to achieve a high-gloss appearance, or surface washing on highly polished or burnished floors

Red Pads (Buffing) are used for light-duty scrubbing. When used with a mild detergent they will provide surface cleaning without removing the finish.

Blue Pads (Scrubbing) are used for heavy-duty scrubbing, and light stripping. The blue pads remove less finish than brown stripping pads, yet will remove black marks, stains, and dirt.

Brown Pads (Stripping) are used for easy and complete removal of old floor waxes/finishes. They will quickly remove ground in dirt, black heel marks, and spills. When used with the proper stripper, this pad leaves the floor clean and ready for finishing.

The scrub brushes should be checked before each days work for wire, string, wear, or damage. The scrub brushes should be replaced if brush bristles are missing or if yellow Perform Alert® indicate minimum brush length.

NOTE: For uniform scrubbing, scrub brushes must be replaced as a set.

REPLACING OR INSTALLING SCRUB BRUSHES

1. With the scrub deck up, turn "OFF" the machine and set the parking brake.

FOR SAFETY: Before leaving or servicing machine; Stop on level surface, set parking brake, turn off machine and remove key.

2. Locate release lever on top of brush or pad driver. Rotate release lever counter-clockwise and the brush/pad driver will release and drop down.
3. To reinstall, center the brush driver under the brush drive hub. Raise until it contacts brush driver assembly. Turn clockwise until release lever plate locks into position.

NOTE: Check that release plate is completely closed and pad / brush is securely attached. Damage to driver or brush could occur.

4. Repeat the procedure for the opposite side of the machine.

MAINTENANCE

SCRUB DECK SKIRT AND SQUEEGEE

The skirts and squeegee should be inspected for wear and damage. The skirt is self adjusting. Replace skirt when they become cracked, worn, torn or brittle.

SQUEEGEE BLADES

NOTE: See page 15 of this guide for a complete table on squeegee options.

The front squeegee blade allows solution to pass through channels in the blade into the squeegee tool while maintaining vacuum to provide lift. The front blade has four wear surfaces and can be rotated for extended life. There are three different notch patterns and three different colors of squeegees for varying floor conditions. The red squeegee is used for normal, smooth surfaces. The blue squeegee is used for tiled surfaces. The green squeegee is used for rough surfaces. The linatex squeegees are used for industrial settings. The front blade should not require regular replacement under normal use.

The rear blade wipes the floor to a near dry condition. It is important the rear blade be in good condition to properly do its job. The rear squeegee blades come in an assembly with three different options. Each squeegee blade assembly has four wear surfaces for extended service.

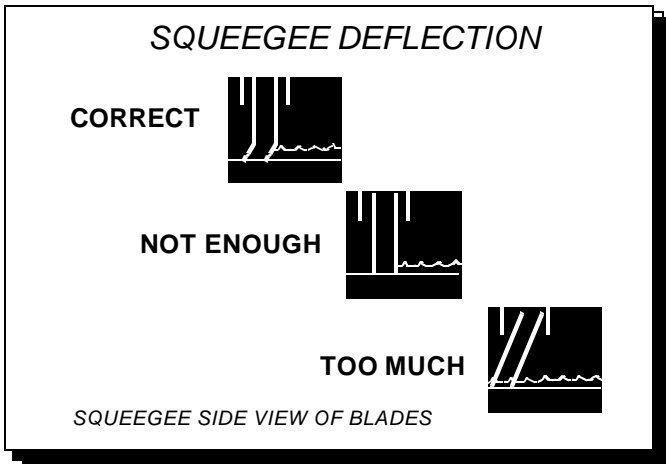
Check both the front and rear squeegee blades for damage, wear, and adjustment each day in the pre-run check. Change the front blade if it is torn or has an uneven edge. Change the rear blade if it is less than 1/2 the original thickness.

TO REPLACE OR ROTATE REAR SQUEEGEE BLADES

1. With the squeegee in the up position, turn the key switch "OFF".
2. Remove the squeegee from the machine. Unlatch and remove blade retainer strap and remove squeegee blade assembly.

FOR SAFETY: Before leaving or servicing machine; Stop on level surface, set parking brake, turn off machine and remove key.

3. Rotate the squeegee to new edge position or replace as required. Each blade has four new edge positions.



ADJUSTING SQUEEGEE

Adjusting the squeegee is a two part process. First, the squeegee tool must have correct pitch in order for the squeegee blade to have the same deflection at each tip as well as the center.

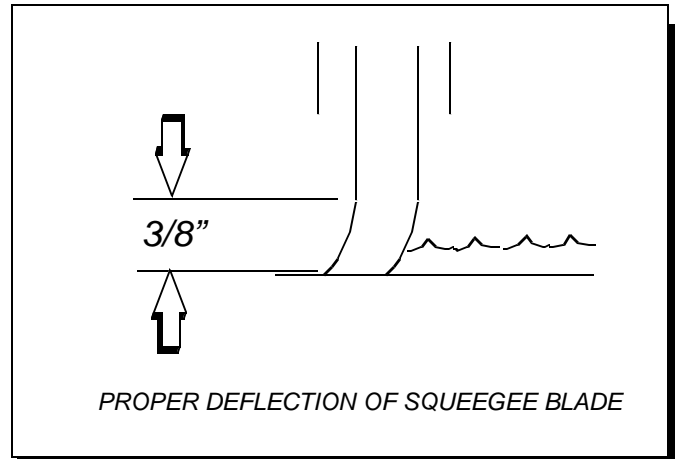
The pitch adjustment on the **SABER/STRIDE II** is facilitated by the use of a spirit level mounted on the squeegee tool. The second adjustment is the amount of deflection or down pressure on the squeegee. The ideal deflection is conveniently marked by colors on the squeegee tool according to the type of floor and squeegee blade employed.

TO ADJUST SQUEEGEE PITCH

1. Choose a smooth, level surface. Turn “ON” the key switch, release the machine parking brake. Lower the squeegee and drive forward at least 2 feet (60 cm).
2. With the squeegee down, stop the machine with the brake and set the parking brakes. Do not allow the machine to roll back.

FOR SAFETY: Before leaving or servicing machine; Stop on level surface, set parking brake, turn off machine and remove key.

3. Determine the differences, if any, in deflection of the squeegee blade between each end and the middle. Proper adjustment is obtained when deflection is equal all the way across tool. This should correspond to the bubble being in the middle position of the spirit level.
4. To decrease the deflection of the squeegee blade at the ends, loosen plastic knobs near the squeegee center. To increase the deflection at the ends of the squeegee assembly, tighten plastic knobs on trailing arm.
5. Again check the deflection of the squeegee blades. Repeat steps 1 through 4 until the deflection is equal across the entire rear squeegee blade.



TO ADJUST AMOUNT OF REAR SQUEEGEE DEFLECTION

FOR SAFETY: Before leaving or servicing machine; Stop on level surface, set parking brake, turn off machine and remove key.

1. Choose a smooth, level surface. Lower the squeegee and drive forward at least 2 feet.
2. With the squeegee down, stop the machine with the brake and set the parking brakes. Do not allow the machine to roll back.
3. Observe the amount of squeegee deflection. It should deflect **3/8 in (9.5 mm)** across the entire width of the squeegee.
4. To adjust the squeegee deflection, loosen knob on the squeegee slide bar.
5. Slide bar to left to increase deflection. Sliding bar to right decreases deflection
6. Turn on the key switch, release the machine parking brake. Raise, then lower squeegee assembly. Drive forward at least 2 feet.
7. Repeat steps 2 through 4 until deflection of **3/8 in. (9.5 mm)** is reached.

TIRES AND WHEELS

Check for low or worn tires. Fill to proper pressure as needed (50 psi front).

Check wheel nuts for tightness, tighten as necessary to 80 foot pounds.

BATTERIES

The batteries provide the power to operate the machine. The standard are four 6 volt batteries rated at 250 A/h at a 6-hour rate. The batteries require regular maintenance to keep them operating at peak efficiency.

The machine batteries will hold their charge for long periods of time, but they can only be charged a certain number of times. To get the greatest life from the batteries, charge them when their charge level reaches 25% of a full charge. Use a hydrometer to check the charge level.

Do not allow the batteries to remain in a discharged condition for any length of time. Never expose a discharged battery to temperatures below freezing. Discharged batteries will freeze causing cracked cases. Do not operate the machine if the batteries are in poor condition or if they have a charge level below 25% (specific gravity below 1.155).

Keep all metallic objects off the top of the batteries, as they may cause a short circuit. Replace worn or damaged cables and terminals.

Check the electrolyte level in each battery cell before and after charging the batteries. Never add acid to the batteries, use water. Do not allow water level to fall below the battery plates. Portions of plates exposed to air will be destroyed. Do not overfill. Keep plugs firmly in place at all times.

⚠ CAUTION

When servicing machine, avoid contact with battery acid.

⚠ WARNING

Batteries emit hydrogen gas. Explosion or fire can result. Keep sparks and open flame away. Keep covers open when charging.

⚠ WARNING

Wear eye protection and protective clothing when working with batteries.

⚠ WARNING

Charge batteries in a well ventilated area.

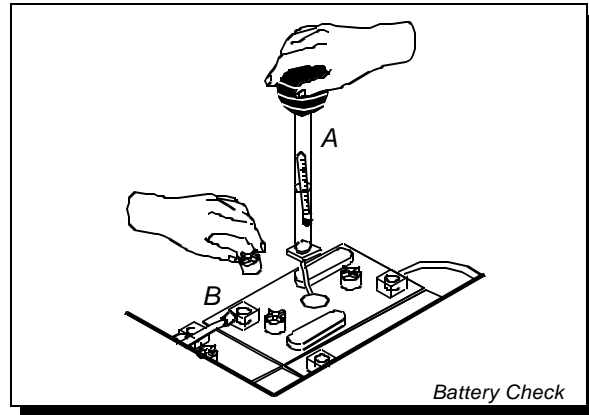
BATTERY MAINTENANCE

1. When cleaning the batteries, use a solution of baking soda and water. Do not allow the cleaning fluid to enter the battery cells. Electrolyte will be neutralized.
2. Maintain the proper electrolyte level in each battery cell. If a cell should accidentally overflow, clean immediately.

3. Do not add water until the battery is fully charged.
4. Wipe off the top of the batteries at least once a week.
5. Test battery condition with a hydrometer at least once a week.
6. Ensure that all connections are tight and all corrosion removed.
7. Every 4 to 6 months, remove the batteries from the machine and clean the battery cases and battery compartment.

CHECKING BATTERY SPECIFIC GRAVITY

Use a hydrometer to check the battery specific gravity.



CHECKING GRAVITY

- A. Hydrometer
B. Battery

NOTE: Do not take readings immediately after adding water, if the water and acid are not thoroughly mixed, the reading may not be accurate.

Check the hydrometer readings against this chart

SPECIFIC GRAVITY @80° F(27° C)	BATTERY CONDITION
1.265	100% charged
1.225	75% charged
1.190	50% charged
1.155	25% charged
1.120	Discharged

NOTE: If the readings are taken when the battery electrolyte is any temperature other than 80° F(27° C), the reading must be temperature corrected.

To find the corrected specific gravity reading when the temperature of the battery electrolyte is other than 80° F(27° C):
Add(+) to the specific gravity reading 0.004(4 points), for each 10 F(6° C) above 80 F(27° C).
Subtract(-) from the specific reading 0.004(4 points), for each 10° F(6° C) below 80° F(27° C).

TO CHARGE THE BATTERIES

! CAUTION

When servicing machine, avoid contact with battery acid.

! WARNING

Batteries emit hydrogen gas. Explosion or fire can result. Keep sparks and open flame away. Keep covers open when charging.

! WARNING

Wear eye protection and protective clothing when working with batteries.

! WARNING

Charge batteries in a well ventilated area. Leave the solution tank open.

Use a 36 volt, 20 amp maximum output, DC charger which will automatically shut off when the batteries are fully charged to charge the six battery pack.

1. Stop the machine in a clean, well ventilated area next to the charger
2. Turn "OFF" machine and set parking brake.

FOR SAFETY: Before leaving or servicing machine; Stop on level surface, set parking brake, turn off machine and remove key

3. Drain solution tank and raise the solution tank and lock the support arm. Make sure the support arm is fully engaged.

! WARNING

Batteries emit hydrogen gas. Explosion or fire can result. Keep sparks and open flame away. Keep covers open when charging.

4. Check the electrolyte level in each battery cell. Before charging, add just enough water to cover the plates. After charging is complete, add just enough water to bring up the level to the indicator ring. If the water level is too high before charging, normal expansion of the electrolyte may cause an overflow, resulting in loss of battery acid balance and damage to the machine.
5. Replace the battery caps, and leave them in place while charging.
6. Unplug the battery connector from the machine.

FOR SAFETY: When charging, connect the charger to the batteries before connecting the charger to the AC wall outlet. Never connect the charger to the AC wall outlet first. Hazardous sparks may result.

7. Plug the charger connector into the battery connector. Connect the charger AC plug to a wall outlet. The charger gauge should indicate that the batteries are charging.
8. When the batteries are fully charged, disconnect the charger from the AC wall outlet, then disconnect the charger from the batteries.
9. Connect the batteries to the machine connector.
10. Check the electrolyte level. It should be up to the indicator ring. If necessary add distilled water.
11. Lower the solution tank.

CHANGING BATTERIES

TO REMOVE BATTERIES

Stop the machine in a clean area next to the charger. Turn off machine and set parking brake.

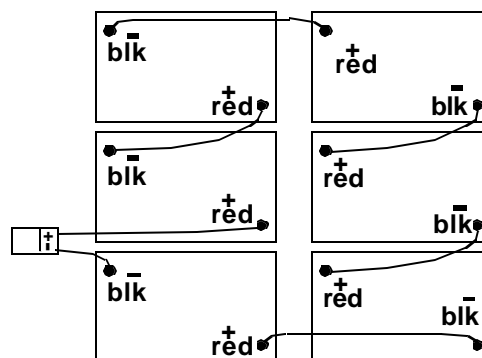
FOR SAFETY: Before leaving or servicing machine; Stop on level surface, set parking brake, turn off machine and remove key

1. Raise the solution tank.
2. Engage solution tank support arm
3. Disconnect battery pack from machine.
4. Use the proper size open end wrench to disconnect main ground wire first and secure cable terminal away from batteries.
5. Disconnect main positive lead and secure cable terminal away from batteries.
6. Loosen both terminals on each jumper cable and remove one at a time.
7. Prepare a suitable site to place the batteries.
8. Attach suitable battery lifting device and lift batteries from the machine.

! WARNING

Batteries are a potential environmental hazard. Consult your battery supplier for safe disposal methods.

BATTERY CONNECTIONS SABER/STRIDE II



SERVICE SCHEDULE

	Maintenance Item	Daily	Weekly	Monthly	Annually
Before Starting the Work Period	Check Battery water level	*			
	Check Vac Hose Connections	*			
	Clean the Squeegee Blades	*			
	Inspect Brushes or Pads for debris ie: wire, string, wear	*			
	Inspect Vac fan shut off float screen	*			
End of Work Period Before Storing	Drain & Rinse Tanks	*			
	Raise Squeegee Assembly	*			
	Raise Scrub Deck Assembly	*			
	Charge the Batteries	*			
	Remove the Pad Drivers/Brushes	*			
	Check the Brushes/Pads for Damage and or wear	*			
	Clean Squeegee blades	*			
	Clean recovery tank vac shutoff & screen	*			
	Check Battery Cells w/Hydrometer		*		
	Check Solution Strainer		*		
	Check Pivot Points, Caster, and Squeegee for proper lubrication		*		
	Inspect tank and hoses		*		
	Clean tops of Batteries and Tray			*	
	Check Battery Cable Clamps			*	
	Use a Vacuum to remove lint from the motor windings			*	
	Grease Squeegee pivot and Casters			*	
	Inspect all Motors for Carbon Motor Brush Wear.				*

SQUEEGEE BLADE/BRUSH HEAD OPTIONS

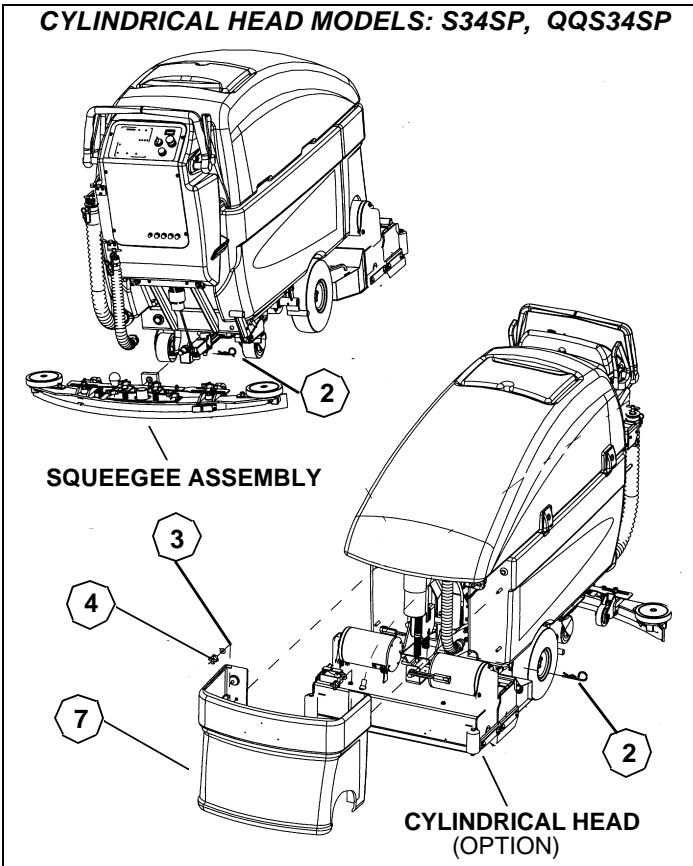
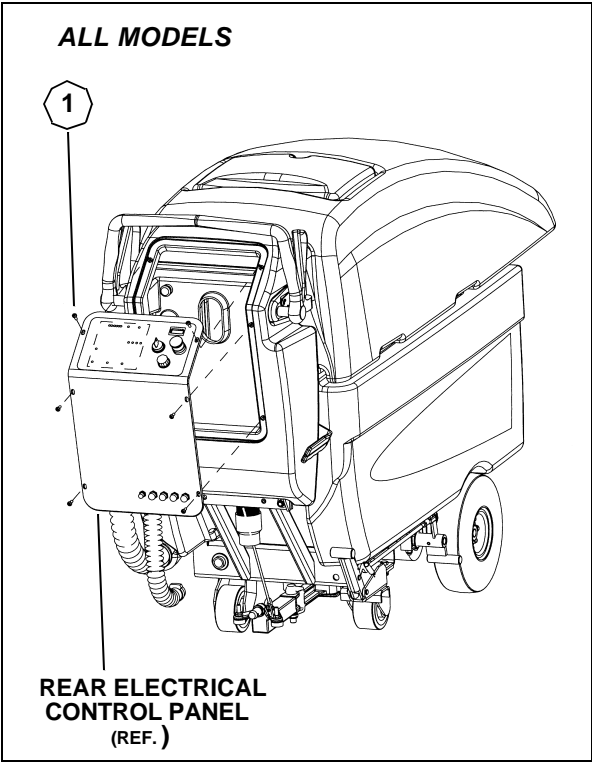
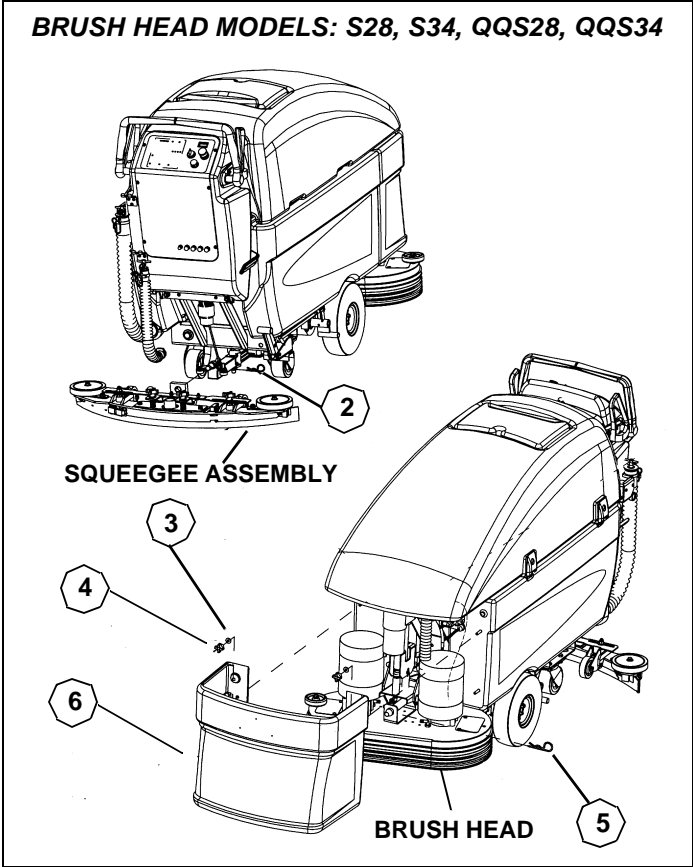
SQUEEGEE BLADE OPTIONS

P/N	Desc.	Color	S28 / QQS28	S34 / QQS34	S34SP / QQS34SP	OPTION
73932	FRONT, STANDARD	RED	X	X		<i>standard</i>
73934	REAR, STANDARD	RED	X			<i>standard</i>
82529	REAR, LINATEX	RED/NOTCH	X			<i>option</i>
82528	FRONT, LINATEX	RED/NOTCH	X	X		<i>option</i>
82638	REAR, (FOR TILE)	BLUE	X			<i>option</i>
82637	FRONT, (FOR TILE)	BLUE	X	X		<i>option</i>
82641	REAR, (FOR BUTTONS)	GREEN	X			<i>option</i>
82640	FRONT, (FOR BUTTONS)	GREEN	X	X		<i>option</i>
73935	REAR, STANDARD	RED		X		<i>standard</i>
73900	REAR, LINATEX	RED/NOTCH		X		<i>option</i>
73902	REAR, (FOR TILE)	BLUE		X		<i>option</i>
73901	REAR, (FOR BUTTONS)	GREEN		X		<i>option</i>
73936	REAR, STANDARD	RED			X	<i>standard</i>
73937	FRONT, STANDARD	RED			X	<i>standard</i>
73925	REAR, LINATEX	RED/NOTCH			X	<i>option</i>
73922	FRONT, LINATEX	RED/NOTCH			X	<i>option</i>
73926	REAR, (FOR TILE)	BLUE			X	<i>option</i>
73923	FRONT, (FOR TILE)	BLUE			X	<i>option</i>
73927	REAR, (FOR BUTTONS)	GREEN			X	<i>option</i>
73924	FRONT, (FOR BUTTONS)	GREEN			X	<i>option</i>

BRUSH HEAD OPTIONS

Model	Required	Pad Driver	Poly Brush	Nylon Brush	Mild Grit	Aggressive Grit
SABER / STRIDE II 34 SCRUB PLUS (CYLINDRICAL)	2	-	82193	82194	82196	82197
SABER / STRIDE II 28	2	02337	02344	02345	02346	n/a
SABER / STRIDE II 34	2	02338	02347	02348	02350	n/a

SERVICE LOCATION DETAILS



SERVICE LOCATION PARTS LIST

Ref	Part No.	Qty	Description	Serial No.		Notes:
				From	To	
1	70532	6	SCR, 10-32 X 1/2 PPHMS BLK			
2	80657	1	PIN, COTTER HAIR .148" DIA X 3/4			QTY 2 SEE NOTE *
3	87029	2	WASHER, 5/16 FLAT SS			
4	48012	2	KNOB, 5/16-18 4 PRONG			
5	82191	1	PIN, COTTER HAIR .178" DIA X 1"			MODELS: S28,S34,QQS28, QQS34
6	27756	1	COVER, FRONT			
7	27770	1	COVER, FRONT 34 CYL			

** NOTE: QUANTITY USED FOR S34SP MODEL ONLY*