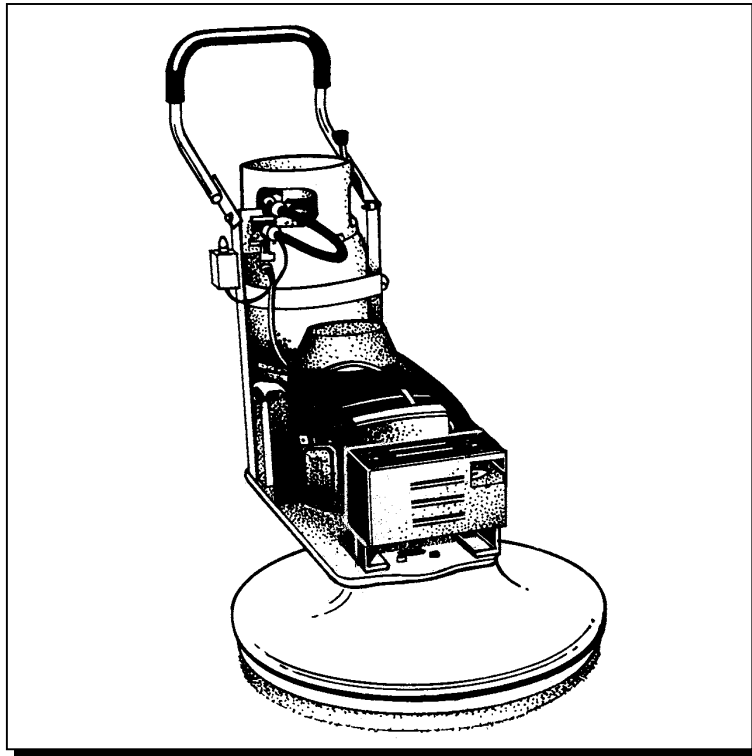


WINDSOR
LIGHTNING™



**PROPANE POWERED HIGH SPEED
BURNISHER/STRIPPER**



Operating Instructions

MODELS: L21H13 10023000 LS30H13 10023110 L21K13 10023010
L24H13 10023040 L21K17 10023020 L24K17 10023060
L27H13 10023080 L24ER22 10023030 L27K17 10023090
LS30H13 10023110 L27ER22 10023070

QUEST® ... for Continuous Improvement.
Windsor's Quality Management System is Certified ISO 9001.

Read these instructions before using the machine



MACHINE DATA LOG/OVERVIEW

MODEL _____

DATE OF PURCHASE _____

SERIAL NUMBER _____

SALES REPRESENTATIVE # _____

DEALER NAME _____

OPERATIONS GUIDE NUMBER _____

PUBLISHED _____

Copyright 2002 Windsor Industries, Printed in USA

YOUR DEALER

Name: _____

Address: _____

Phone Number: _____

OVERVIEW

The Lightning is a propane powered, high speed, burnisher/stripper intended for commercial use. The burnisher model buffs most hard floor surfaces with the use of special pads. The stripper model applies stripping solution to the floor to remove any sealant, floor finishing, etc.

TABLE OF CONTENTS

Machine Data Log/Overview.....2
Table of Contents.....3

HOW TO USE THIS MANUAL

How to use this Manual..... 1-1

SAFETY

Important Safety Instructions2-1
Hazard Intensity Level.2-2

OPERATIONS

Machine Operation.....3-1
Before Operating the Machine3-1
Emergency Stopping Procedure.3-2
Transporting/Storing Machine3-2
Propane Fuel System.3-3
Changing oil.3-3
Adjusting Belt Tension.3-3
Refueling/Storing Cylinders.3-3

MAINTENANCE

Service Schedule.4-1
Installing or Removing Pad4-2
Installing or Removing Pad Driver4-2
Machine Troubleshooting.....4-3

GROUP PARTS LIST

21" Deck Group.5-1
24" Deck Group.5-3
27" Deck Group.5-5
30" Stripper Group.5-7
Kawasaki Fuel Block.....5-9
Kawasaki Wiring.5-10
Kawasaki Fuel System.5-11
Honda Fuel System.5-12
Kill Switch5-13
Clutch and Switch.5-14
Belt Chart/Notes5-15
Warranty.5-16

HOW TO USE THIS MANUAL

This manual contains the following sections:

- HOW TO USE THIS MANUAL
- SAFETY
- OPERATIONS
- MAINTENANCE
- PARTS LIST

The HOW TO USE THIS MANUAL section will tell you how to find important information for ordering correct repair parts.

Parts may be ordered from authorized Windsor dealers. When placing an order for parts, the machine model and machine serial number are important. Refer to the MACHINE DATA box which is filled out during the installation of your machine. The MACHINE DATA box is located on the inside of the front cover of this manual.

MODEL _____
DATE OF PURCHASE _____
SERIAL NUMBER _____
SALES REPRESENTATIVE # _____
DEALER NAME _____
OPERATIONS GUIDE NUMBER _____
PUBLISHED _____

Copyright 2002 Windsor Industries, Printed in USA

The model and serial number of your machine is on the bottom back-end of the machine.

The SAFETY section contains important information regarding hazard or unsafe practices of the machine. Levels of hazards is identified that could result in product or personal injury, or severe injury resulting in death.

The OPERATIONS section is to familiarize the operator with the operation and function of the machine.

The MAINTENANCE section contains preventive maintenance to keep the machine and its components in good working condition.

The PARTS LIST section contains assembled parts illustrations and corresponding parts list. The parts lists include a number of columns of information:

- **REF** – column refers to the reference number on the parts illustration.
- **PART NO.** – column lists the part number for the part.
- **PRV NO.** – reference number.
- **QTY** – column lists the quantity of the part used in that area of the machine.
- **DESCRIPTION** – column is a brief description of the part.
- **SERIAL NO. FROM** – column indicates the first machine the part number is applicable to. When the machine design has changed, this column will indicate serial number of applicable machine. The main illustration shows the most current design of the machine. The boxed illustrations show older designs. If column has an asterisk (*), call manufacturer for serial number.
- **NOTES** – column for information not noted by the other columns.

NOTE: If a service or option kit is installed on your machine, be sure to keep the KIT INSTRUCTIONS which came with the kit. It contains replacement parts numbers needed for ordering future parts.

IMPORTANT SAFETY INSTRUCTIONS

When using a propane powered appliance, basic precaution must always be followed, including the following:

READ ALL INSTRUCTIONS BEFORE USING THIS MACHINE.



To reduce the risk of fire, explosion, or injury:

Use only indoors. Do not use outdoors or expose to rain.

Use only as described in this manual. Use **only** manufacturer's recommended components and attachments.

Maintenance and repairs **must be done** by qualified personnel.

Only trained operators should be allowed to operate propane powered floor machines.

If the machine is **not working properly**, has been dropped, damaged, left outdoors, or dropped into water, return it to an authorized service center.

Check fuel cylinder for overfill before taking it into the building or placing it in storage.

Install fuel cylinder in a well ventilated place.

Be aware of possible leaks of propane gas if odor is present.

If the machine is stored inside a building, remove the fuel cylinder & store properly outside.

Secure fuel cylinders when being transported. If attached to the machine service valves should be **OFF**.

Never store fuel cylinders in a vehicle, building, or area where they may be exposed to high temperature.

Do not operate the machine with any openings blocked. Keep openings free of debris that may reduce airflow.

Machine can cause a fire when operating near open flames or sparks.

This machine is suitable for commercial use, for example in hotels, schools, hospitals, factories, shops and offices for more than normal housekeeping purposes.

Remove fuel cylinder and disengage the starter before cleaning or servicing.

Before the machine is discarded, the fuel cylinder **must be removed** and properly disposed of.

During operation, attention shall be paid to other persons, especially children.

Before use all covers and doors shall be put in the positions specified in the instructions.

When leaving unattended, secure against unintentional movement.

When leaving unattended, switch off or lock the main power switch to prevent unauthorized use.

This appliance has been designed for use with the brushes specified by the manufacturer. The fitting of other brushes may affect its safety.

SAVE THESE INSTRUCTIONS

HAZARD INTENSITY LEVEL

The following symbols are used throughout this guide as indicated in their descriptions:

HAZARD INTENSITY LEVEL

There are three levels of hazard intensity identified by signal words -**WARNING** and **CAUTION** and **FOR SAFETY**. The level of hazard intensity is determined by the following definitions:

WARNING

WARNING - Hazards or unsafe practices which COULD result in severe personal injury or death.

CAUTION

CAUTION - Hazards or unsafe practices which could result in minor personal injury or product or property damage.

FOR SAFETY: To identify actions which must be followed for safe operation or equipment.

Report machine damage or faulty operation immediately. Do not use the machine if it is not in proper operating condition. Following is information that signals some potentially dangerous conditions to the operator or the equipment. Read this information carefully. Know when these conditions can exist. Locate all safety devices on the machine. Please take the necessary steps to train the machine operating personnel.

FOR SAFETY

DO NOT OPERATE MACHINE:

Unless Trained and Authorized.

Unless Operation Guide is Read and understood.

In Flammable or Explosive areas.

In areas with possible falling objects.

WHEN SERVICING MACHINE:

Avoid moving parts. Do not wear loose clothing; jackets, shirts, or sleeves when working on the machine. Use **Windsor** approved replacement parts.

WARNING

Fuel cylinders emit propane gas. Explosion or fire can result. Keep sparks and open flame away. Do not smoke around fuel cylinders.

WARNING

Remove fuel cylinder before working on machine. Only qualified personnel should work on machine. Always wear eye protection and protective clothing when working on machine.

Your machine is shipped ready for your operation, with exception of fuel cylinder. For hazard and safety issues, the cylinders are sent with no fuel. Prior to operation have your cylinder filled at a reputable propane dealer.

CAUTION

The fuel cylinder supplied with this machine is a DOT 4E240 propane cylinder. Cylinders not branded with DOT 4E240 on the top collar should not be used. Never use a cylinder from a barbecue, etc. on this machine.

The capacity of the 4E240 cylinder is 20lbs., 80% of the total water capacity. Never overfill the cylinder.

BEFORE OPERATING THE MACHINE:

1. **Check fuel cylinders:** Check for overfill before taking them into the building.
 - To check a cylinder for overfill:**
 - a. Take it to a safe area outside.
 - b. Open the fixed liquid level gauge. (bleeder valve)
 - c. Observe the gas from the valve:
 1. If **White** cloud – **Overfilled**
 2. If **Clear** vapor – **Safe**
 - d. If overfilled, allow to vent until vapor is Clear in color.
2. **Check Oil level:** Check level prior to starting engine and daily before using machine. Use specified oil if necessary to add. **DO NOT OVER FILL OIL LEVEL**, to do so may cause damage to the engine, thus voiding warranty. When checking oil refer to the specific engine manufacturers instruction manual, as some engines differ in correct procedure. Use **10W30** oil.
3. **Check Air Filter:** Be sure the carburetor air filter is free of dust/oil, etc. **NOTE:** Dirty filters is the most frequent cause of elevated toxic emissions. Check and clean recoil dust filter if necessary. (see specific engine owners manual)
4. **Check Pad & Pad Driver.**
5. **Adjust handle height:** Use a 9/16 wrench to loosen and tighten pivot points. Most find it necessary to adjust the handle to “belt height” for optimum control.
6. **Install Fuel Cylinder:** Take machine to a well ventilated area. Check cylinder for overfill. (see step 1) Install cylinder on machine with tank strap. Connect the fuel cylinder to the machine using “Rego” connection. Tighten “hand-tight”. **NOTE:** Careful not to cross thread the Rego connection. Open the service valve slowly. Be alert for propane leaks. To remove cylinder reverse the procedure.

STARTING PROCEDURES

Burnisher:

1. Tilt machine back on rear casters so pad is off the floor.
2. *Slowly* open the service valve on the fuel cylinder. **NOTE:** opening the service valve too quickly may cause the excess flow valve to stop the flow of propane. If this occurs, close the service valve, wait a few seconds and re-open it **SLOWLY!**
3. Push the throttle lever to the choke position and engage the starter by using the start button. (**NOTE:** If equipped with key switch, start by turning the key) Do not engage starter for more than 20 seconds at a time, allow 10-20 seconds between attempts to start the engine.
4. When engine starts, ease the throttle back to running position.

WARNING

DO NOT run engine with throttle in the choke position. Excessive harmful emissions will be produced putting you and others in harms way.

5. Increase throttle to about $\frac{3}{4}$ and carefully lower the machine pad to the floor while walking forward slowly.

Optional: Electric Clutch

If equipped with and optional clutch, move throttle to slow and engage the clutch by squeezing the “trigger switch” on the operation handle. Move the throttle to $\frac{3}{4}$ speed, slowly lower pad to the floor while walking forward slowly.

MACHINE OPERATIONS

STARTING PROCEDURES

Stripper:

CAUTION

This machine is only as fast as you allow it to be. It is imperative that you keep the floor wet with stripping solution while stripping and remove the sludge quickly and completely. Rinsing thoroughly before re-coating with sealer or floor finish.

1. Clear all areas of all displays. Remove any dust and stickers from floor.
2. Prepare stripping solution according to instructions on label.
3. Apply solution to the floor using a mop or other method of application. **KEEP FLOOR WET WITH SOLUTION.**
4. Allow 10 minutes or so for solution to penetrate floor coating.
5. Using a “doodle bug” scrape the edges clear of floor finish.
6. Begin stripping with the machine. (one pass is generally all that is needed).
7. Follow the machine with recovery of sludge and damp mop. **NOTE:** rinse floor thoroughly.

Keep both models moving. Running the machine in one place for more than a few seconds may damage the floor.

WARNING

Exhaust emissions contain harmful toxic gases. The worst being carbon monoxide. Do not operate the machine in confined areas for prolonged times. Always make certain that adequate ventilation is had.

CAUTION

Never engage clutch in the fast run position or with the pad on the floor, this may cause damage to the clutch and the floor.

WARNING

Be careful not to allow the machine to come in contact with loose tiles or other obstruction on the floor. The pad is turning at approximately 2000 RPM. If loose objects are hit by revolving pad they could become dangerous missiles.

EMERGENCY STOPPING PROCEDURE

In case of an emergency, the machine can be brought to an instant stop by:

1. Pull the throttle back to stop position or turn key switch to OFF, if equipped.
2. Close service valve on the fuel cylinder.
3. If the machine is equipped with a “Kill Switch”, activate the switch.

CAUTION

The engine may backfire when stopped in this manner.

STOPPING PROCEDURE

1. Close the service valve on the fuel cylinder while the engine is running. This serves to “purge” the fuel system of all flammable gas.
2. Tilt the machine back on it’s rear caster and allow the engine to run until it stops.
3. Turn the key switch OFF if equipped.

Do not leave the machine unattended while the engine is running for long periods of time. If necessary to leave the machine for short periods to move a display etc. move the throttle lever to idle position and tip machine back on the rear caster.

It has been the accepted practice to start buffing from the right side of the aisles. Most smaller machines are offset to the right to allow buffing close on that side.

TRANSPORTING/STORING MACHINE

When transporting the machine from one site to another, secure the machine with the fuel cylinder installed and the service valve **OFF**. Allow the engine to cool down some before loading the machine for transport.

When storing the machine, remove the propane cylinder and store outside. (see pg. 3-3 for Storage of Fuel Cylinders) Perform all daily maintenance procedures. Store machine in a cool, dry, secure area where it will not be damaged by other traffic. Tilt the machine back on the rear caster with the pad off of the floor.

PROPANE FUEL SYSTEM

⚠ WARNING

Adjustments and repairs to the propane fuel system can only be made by properly trained and certified Service Technicians.

⚠ WARNING

Improper adjustments will cause increased toxic emissions of carbon monoxide and may result in carbon monoxide poisoning.

CHANGING OIL

The manufacturer recommends 10W30 oil.

1. Run engine for 5 minutes to warm the oil.
2. Make sure machine is on level surface, pad on the floor. Place container under drain and open the oil drain valve. Allow oil to drain completely.
3. Close drain valve and add 1 qt. Of 10W30 motor oil. Check level and add if necessary.
4. Replace oil-fill cap assembly. Hand tighten only.

⚠ CAUTION

DO NOT over fill oil and never run engine with low oil level, this could cause damage to the engine voiding your warranty.

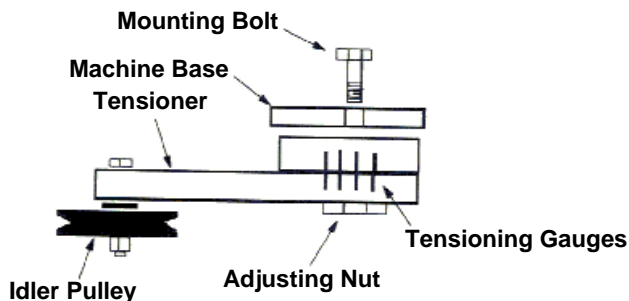
NOTE: When checking oil, remove dip stick, wipe clean, then reinsert the dip stick into the engine. **DO NOT SCREW IN** (check engine manufacturer manual for recommended procedure). Remove dip stick and observe oil level as indicated on dip stick.

ADJUSTING BELT TENSION

Tools required for this procedure are:

- $\frac{3}{4}$ " (19mm) open end wrench
- $1\frac{5}{16}$ " (24mm) deep well socket

1. Loosen mounting bolt on top side of machine deck while holding adjusting nut on underside of deck. **NOTE:** the mounting bolt must be loosened before adjustment can be made.
2. Rotate adjusting nut counter clockwise with socket to apply tension to belt.
3. While holding the tension on the adjusting nut, tighten the mounting bolt on top of the deck.
4. Check belt tension by pinching belt together. Belt should depress only $\frac{1}{2}$ " (12mm)



REFUELING/STORING CYLINDERS

The following information refers to regulations within the United States of America and Canada. For other countries, the owner must assure that the required regulations are met.

National Fire Protection Association (NFPA) has established standards for the storage and handling of liquefied petroleum gasses. This standard is NFPA 58.

Liquefied propane will expand 270 times into flammable vapor, which is used as fuel for propane engines. Proper training is recommended for those operating propane powered machines in order to limit the hazards related to the handling and storage of propane fuel cylinders.

REFUELING

The capacity of the 4E240 cylinder is 20lbs., 80% of the total water capacity. Never overfill the cylinder. Have the cylinder filled at a reputable propane dealer.

Do not attempt to repair a propane cylinder yourself. Return the cylinder to your propane dealer for authorized service.

STORING

Propane fuel cylinders whether full or empty should be stored outside the building in a secure cylinder storage cabinet in accordance with NFPA 58 5-4.2.1

⚠ CAUTION

Vertical Propane fuel cylinders must always be stored in a vertical position. This position assures that the discharge from the pressure relief valve or other items will be largely vapor and not liquid which will expand to 270 times to flammable vapor.

The manufacturer reminds you that the fuel cylinders should be removed from the machine and placed in the proper storage cabinets outside the building.

NOTE: Local authorities may have additional requirements for storage of fuel cylinders. Always check with the local authorities for these additional requirements.

MAINTENANCE

WARNING

Before attempting any maintenance procedures on the machine, close the service valve on the fuel tank and stop the engine.

CAUTION

Repairs and adjustments to the fuel system must be made by an authorized, properly trained service technician.

To keep the machine in good working condition, simply follow the daily, weekly, and monthly maintenance procedures.

Keeping the machine clean and free from accumulated dust, lint, and oil allows free air flow across the engine to cool the engine properly. Always use clean recoil dust filters. These can be cleaned by washing them in a flow of water and shaking dry. Extra filters may be ordered from customer service.

IMPORTANT: Preventative maintenance is the responsibility of the operator.

DAILY MAINTENANCE (every 4 hours of operation)

1. Check oil level (use 10W30 oil only).
2. Clean recoil filter.
3. Check & Clean carburetor air filter.
4. Check belt tension by pinching belt together. Belt should deflect only ½" (13mm).
5. Make sure all components are secure and tight. (pad holder, fuel cylinder, etc.)
6. Check pad driver and pad, daily. (clean or replace)
7. Clean machine, if compressed air is available blow dust from machine and engine, concentrating on the inside of engine shrouds. Wash undercarriage.

WEEKLY MAINTENANCE (every 20 hours of operation)

1. All checks made on a daily basis plus:

2. Change oil and oil filters at 50 hours of service. Use 10W30 Motor Oil or other no ash motor oils designed for use in propane engines. Use of non-recommended oil may void the engine warranty. (see engine manual supplied with documentation).
3. Check for loose nuts and/or bolts on entire machine.
4. Examine all propane fuel components for leaks or wear. Replace if necessary.
5. Grease wheels. Use white lithium grease only and no more than 1 pump of grease. More grease than recommended will push the seals and dust covers out, allowing dust and other foreign materials to penetrate the bearing, shortening the life of the bearings as well as allowing grease to drop from the wheels to the floor.

MONTHLY MAINTENANCE (every 80 hours of operation)

1. Perform all daily and weekly services.
2. Torque head bolts.
3. Check valve clearance.
4. Torque valve cover bolts.
5. Inspect spark plug. Replace if necessary.
6. Remove engine shroud and clean cooling fins.

NOTE: Consult specific engine owner's manual for the above steps 2-6.

QUARTERLY MAINTENANCE (every 250 hours of operation)

1. Perform all of the monthly maintenance items.
2. Have engine serviced by authorized service center. Including emissions check.

Keep a log book of all maintenance and repairs performed on your machine.

INSTALLING OR REMOVING PAD DRIVER OR PADS

Consult an authorized distributor to assist you in selecting the correct pad for your specific needs.

Pad driver installation:

1. Tip machine on the right side (dip stick down).
2. Place pad driver on drive shaft and spin pad driver clockwise to install.

Pad Removal & Installation:

1. Tilt machine back on rear caster or service position.
2. Remove center-lock from pad driver.
3. Remove pad from pad holder.
4. Center new pad on pad driver & secure with center-lock ring.

Pad driver removal:

1. Apply down pressure on bell of machine deck.
2. Use $\frac{3}{4}$ " open end wrench on top of drive shaft exposed on top of deck.
3. Strike wrench with rubber mallet to break loose the shaft from the pad driver. (counter-clockwise)
4. Remove pad driver by spinning it off counter-clockwise.

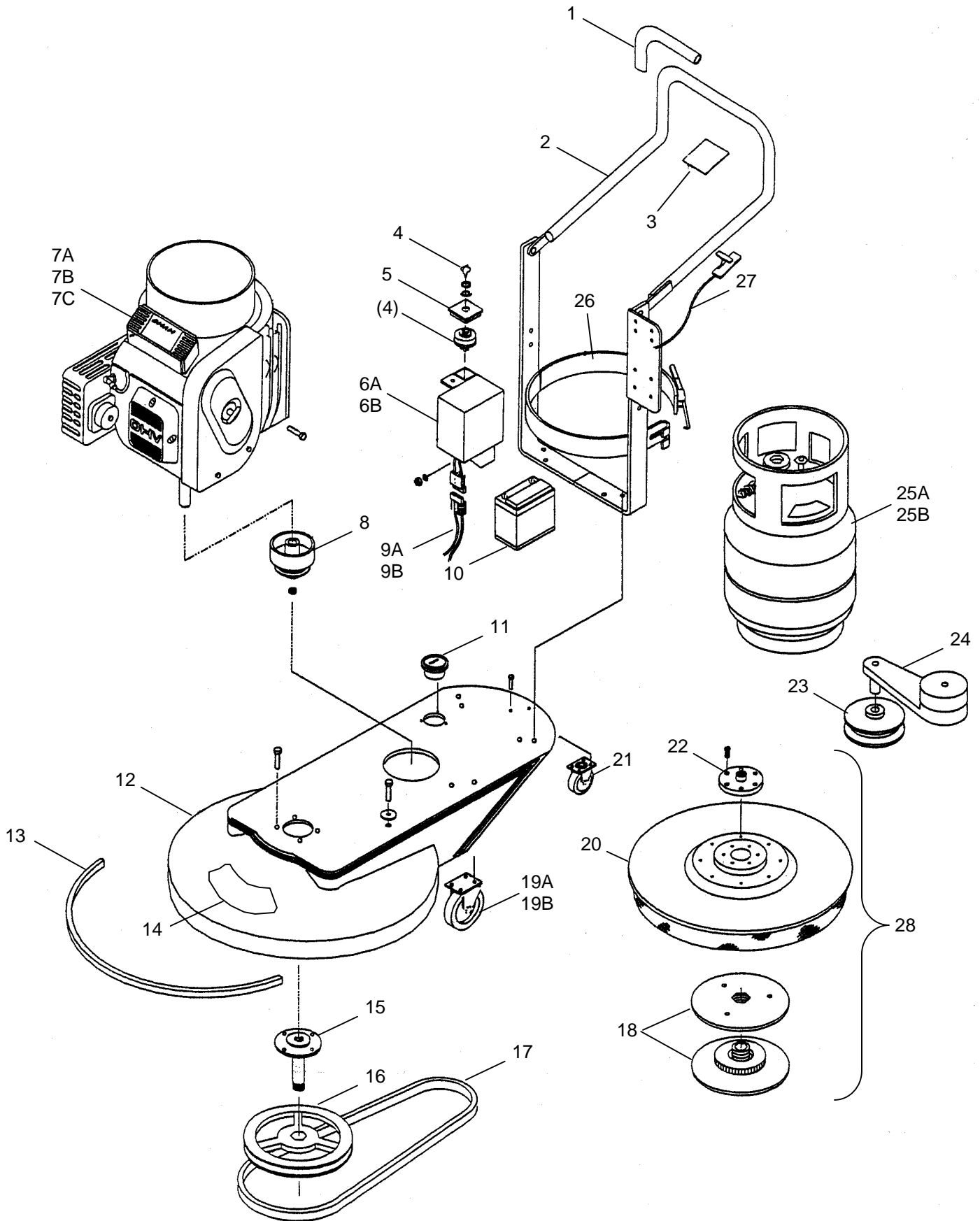
MACHINE TROUBLESHOOTING

PROBLEM.	CAUSE	SOLUTION
Will not start	No fuel or dirt in fuel line	See engine owners manual for servicing.
	Blown head gasket	NOTE: ONLY properly trained service technicians
	Engine overload	Should adjust or repair fuel system.
	Dirty air cleaner	
	Faulty spark plug	
	Fuel system out of adjustment	
	Defective ignition coil	
Hard to start	No fuel or dirt in fuel line	See engine owners manual for servicing.
	Engine overload	
	Dirty air cleaner	
	Faulty spark plug	
	Spark plug or head bolts loose	
	Blown head gasket	
	Timing, Coil or Valves need adjustment	
	Regulator need adjustment	
	Insufficient vacuum	
Lacks Power	Improper valve clearance	See engine owners manual for servicing.
	Dirt in fuel line	
	Faulty spark plug	
	Improper oil level	
	Worn rings	
Odor of burned rubber	Belt out of adjustment	See "Adjusting Belt Tension" pg. 3-3
Engine overheats	Incorrect oil level	See engine owners manual for servicing.
	Engine overload	
	Build up of dirt inside engine shroud	
High fuel consumption	Faulty spark plug	See engine owners manual for servicing.
	Dirty air cleaners	
	Improper fuel system adjustment	
Machine stops suddenly	Out of fuel	Change fuel cylinders
	Faulty spark plugs	Clean adjust or replace spark plug
	Pad not centered on pad driver	Center pad or pad driver
	Incorrect pad size	Replace with proper pad
	Low oil	Add oil (see pg. 3-3)

MACHINE TROUBLESHOOTING

PROBLEM.	CAUSE	SOLUTION
Excess vibration	Bolts loose on engine or deck	Tighten all bolts
	Pad not centered or damaged pad	Center or replace pad
	Incorrect oil level	Check and adjust oil level
	Engine overload	See engine owners manual for servicing.
	Dirty filter	See engine owners manual for servicing.
	Faulty spark plug	See engine owners manual for servicing.

21" DECK GROUP

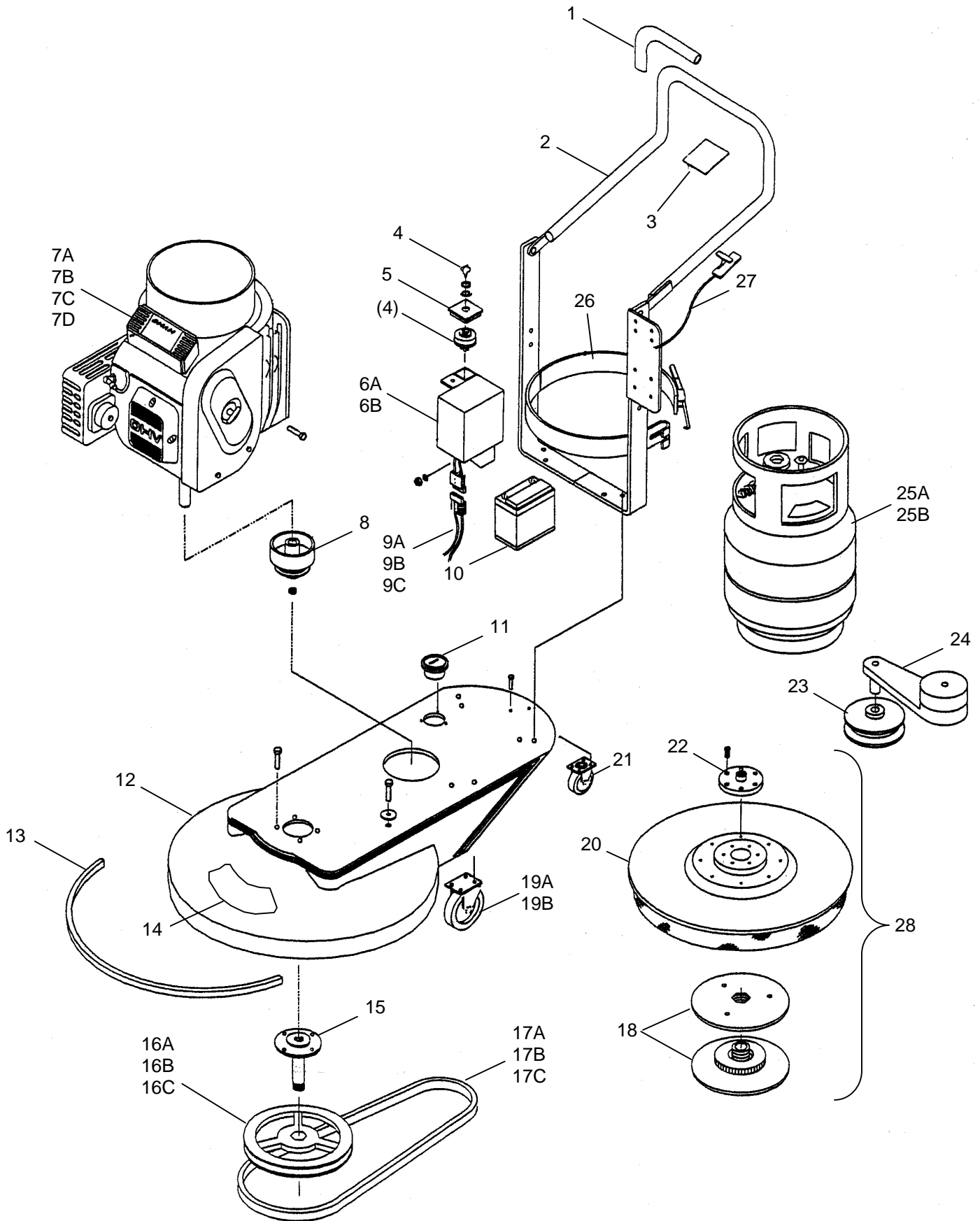


21" DECK PARTS LIST

REF	PART NO.	PRV NO.	QTY	DESCRIPTION	SERIAL NO. FROM	NOTES:
1	86262580	07093	1	FOAM HAND GRIPS		
2	86262570	07083	1	FM HANDLE		
3		N/A	ref	ENGINE OWNER'S MANUAL		Comes with literature
4	86262830	07129	1	KEY SWITCH		
5	86263140	07089	1	PLASTIC HOLDER		
6A	86261970	07039	1	BATTERY BOX		
6B	86261880	07068	1	6" KEY SWITCH BRACKET		
7A	86262800	07086	1	KAWASAKI 17HP		
7B	86262730	07123	ref	HONDA 390 13HP		
7C	86263030	07066	ref	ONAN E124		
8	86263200	07018	1	PULLEY 3.5		
9A	86261980	07067	1	BATTERY CONNECTOR E124		
9B	86262010	07116	ref	BATTERY CONNECTOR KAWASAKI		
10	86261960	07038	1	BATTERY 12VOLT		
11	86262770	07017	1	HOUR METER		
12	86262380	07001	1	DECK 21" BLUE		
13	86262050	07150	1	BUMPER MOULDING		
14	86243840	500664	1	LABEL, LIGHTNING PRPN WINDSOR		
15	86262600	07022	1	FRONT BEARING ASSY. COMPLETE		
16	86263210	07019	1	PULLEY 6.2		
17	86262090	07027	1	BX40 BELT		
18	86262300	07023	1	CENTER LOCK		
19A	86263540	07014	2	WHEEL 6" W/BKT		
19B	86263530	07013	ref	WHEEL (ONLY)		Service Only
20	86263100	07084	1	PAD DRIVER 21" FLEX		
21	86262280	07015	2	CASTER 3"		
22	86262560	07151	1	FLANGE		
23	86262780	07016	1	IDLER PULLEY		
24	86263460	07121	1	TENSIONER		
25A	86262930	07063	1	LP TANK (ALUM)		
25B	86262920	07025	ref	LP TANK (STEEL)		
26	86263520	07048	1	VELCRO TAPE		
27	86263470	07002	1	THROTTLE CABLE		
28	86263070	07079	1	PAD DRIVER 21" FLEX COMPLETE		
29	86262330	07111	-	CHOKE CABLE		Not Shown
30	86262720	07024	-	HONDA STARTER (110 VOLT)		Not Shown

NOTE: For engine information not listed in this standard manual parts list, refer to appropriate Engine Owner's Manual.

24" DECK GROUP

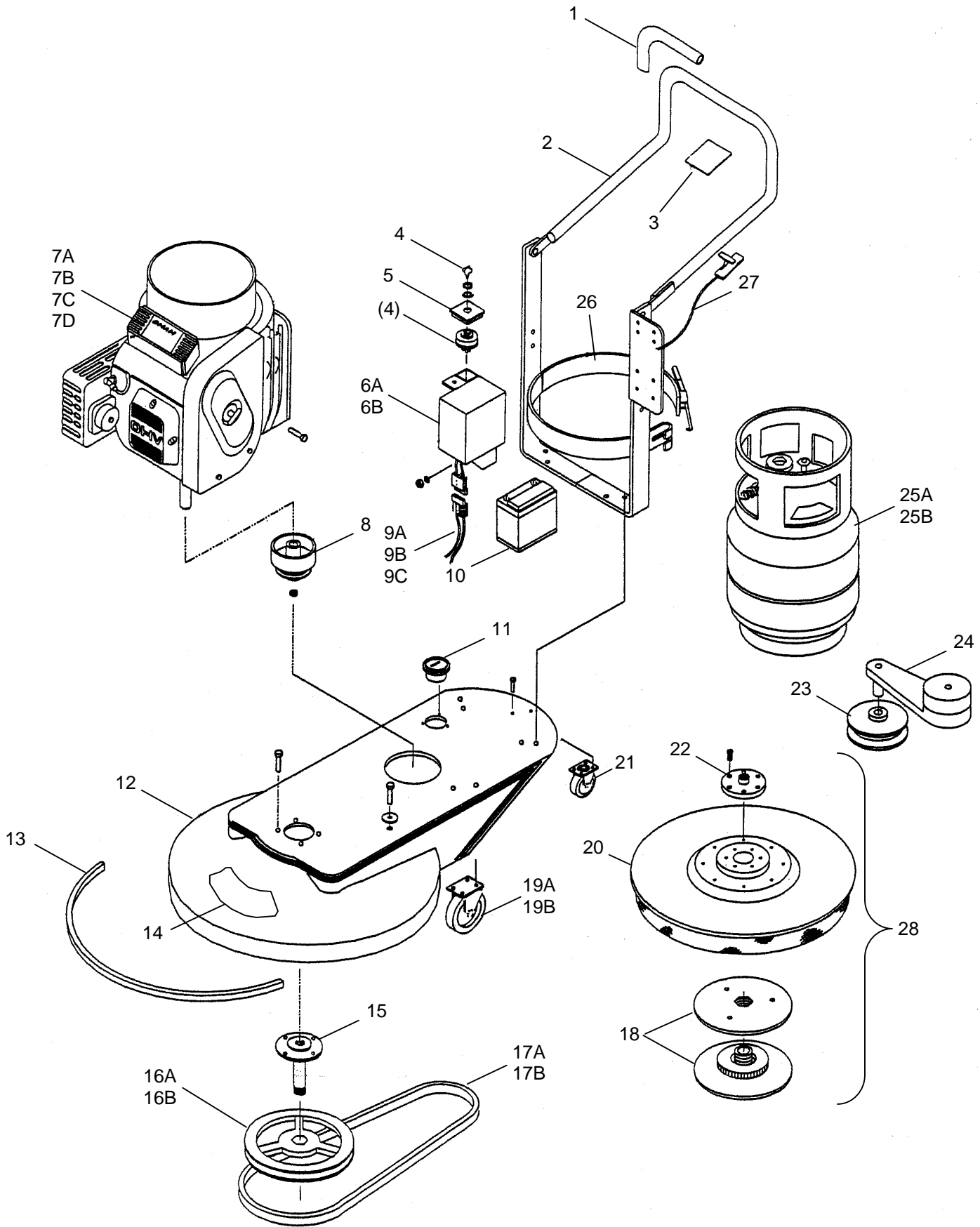


24" DECK PARTS LIST

REF	PART NO.	PRV NO.	QTY	DESCRIPTION	SERIAL NO. FROM	NOTES:
1	86262580	07093	1	FOAM HAND GRIPS		
2	86262570	07083	1	FM HANDLE		
3		N/A	ref	ENGINE OWNER'S MANUAL		Comes with literature
4	86262830	07129	1	KEY SWITCH		
5	86263140	07089	1	PLASTIC HOLDER		
6A	86261970	07039	1	BATTERY BOX		
6B	86261880	07068	1	6" KEY SWITCH BRACKET		
7A	86262800	07086	1	KAWASAKI 17HP		
7B	86262730	07123	ref	HONDA 390 13HP		
7C	86263040	07131	ref	ONAN P248		
7D	86263030	07066	ref	ONAN E124		
8	86263200	07018	1	PULLEY 3.5		
9A	86261980	07067	1	BATTERY CONNECTOR E124		
9B	86262010	07116	ref	BATTERY CONNECTOR KAWASAKI		
9C	86262000	07092	ref	BATTERY CONNECTOR ONAN P248		
10	86261960	07038	1	BATTERY 12VOLT		
11	86262770	07017	1	HOUR METER		
12	86262390	07032	1	DECK 24" BLUE		
13	86262050	07150	1	BUMPER MOULDING		
14	86243840	500664	1	LABEL, LIGHTNING PRPN WINDSOR		
15	86262600	07022	1	FRONT BEARING ASSY. COMPLETE		
16A	86263210	07019	1	PULLEY 6.2		Onan P248
16B	86263250	07090	ref	PULLEY 8.5		Honda, Onan E124
16C	86263240	07055	ref	PULLEY 7.0		Kawasaki
17A	86262110	07028	1	BX42 BELT		Onan P248
17B	86262140	07031	ref	BX45 BELT		
17C	86262120	07069	ref	BX43 BELT		
18	86262300	07023	1	CENTER LOCK		
19A	86263540	07014	2	WHEEL 6" W/BKT		
19B	86263530	07013	ref	WHEEL (ONLY)		Service Only
20	86263120	07104	1	PAD DRIVER 24" FLEX		
21	86262280	07015	2	CASTER 3"		
22	86262560	07151	1	FLANGE		
23	86262780	07016	1	IDLER PULLEY		
24	86263460	07121	1	TENSIONER		
25A	86262930	07063	1	LP TANK (ALUM)		
25B	86262920	07025	ref	LP TANK (STEEL)		
26	86263520	07048	1	VELCRO TAPE		
27	86263470	07002	1	THROTTLE CABLE		
28	86263080	07080	1	PAD DRIVER 24" FLEX COMPLETE		
29	86262330	07111	-	CHOKE CABLE		Not Shown
30	86262720	07024	-	HONDA STARTER (110 VOLT)		Not Shown
31	86261860	07109	-	20HP REGULATOR BRACKET		Not Shown
32	86262340	07117	-	CHOKE BRACKET		Not Shown

NOTE: For engine information not listed in this standard manual parts list, refer to appropriate Engine Owner's Manual.

27" DECK GROUP

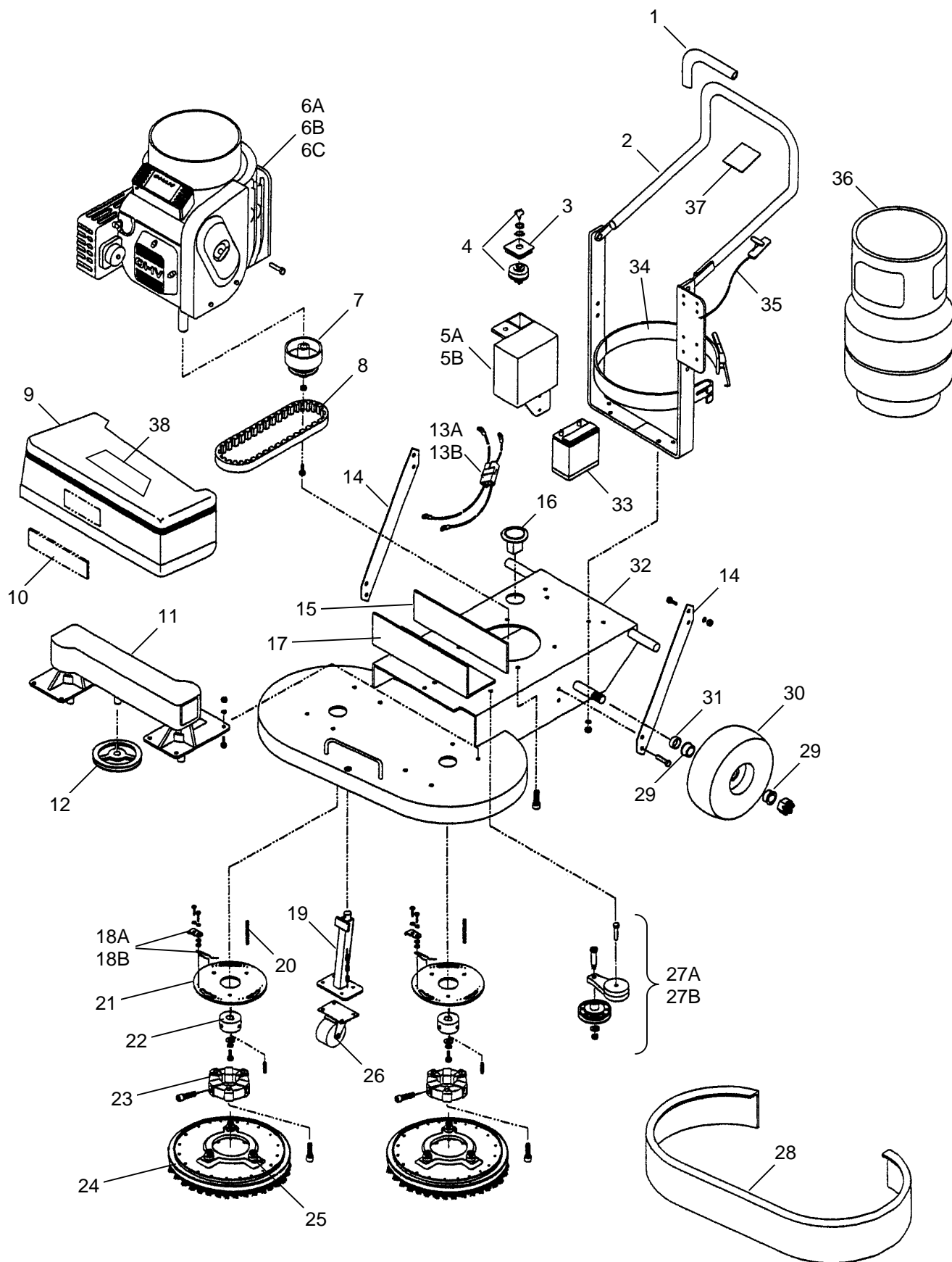


27" DECK PARTS LIST

REF	PART NO.	PRV NO.	QTY	DESCRIPTION	SERIAL NO. FROM	NOTES:
1	86262580	07093	1	FOAM HAND GRIPS		
2	86262870	07083	1	FM HANDLE		
3		N/A	ref	ENGINE OWNER'S MANUAL		Comes with literature
4	86262830	07129	1	KEY SWITCH		
5	86263140	07089	1	PLASTIC HOLDER		
6A	86261970	07039	1	BATTERY BOX		
6B	86261880	07068	1	6" KEY SWITCH BRACKET		
7A	86262800	07086	1	KAWASAKI 17HP		
7B	86262730	07123	ref	HONDA 390 13HP		
7C	86263040	07131	ref	ONAN P248		
7D	86263030	07066	ref	ONAN E124		
8	86263200	07018	1	PULLEY 3.5		
9A	86261980	07067	1	BATTERY CONNECTOR E124		
9B	86262010	07116	ref	BATTERY CONNECTOR KAWASAKI		
9C	86262000	07092	ref	BATTERY CONNECTOR ONAN P248		
10	86261960	07038	1	BATTERY 12VOLT		
11	86262770	07017	1	HOUR METER		
12	86262400	07033	1	DECK 27" BLUE		
13	86262050	07150	1	BUMPER MOULDING		
14	86243840	500664	1	LABEL, LIGHTNING PRPN WINDSOR		
15	86262600	07022	1	FRONT BEARING ASSY. COMPLETE		
16A	86263230	07034	1	PULLEY 9.4		Honda, Onan E124
16B	86263250	07090	ref	PULLEY 8.5		Kawasaki, Onan P248
17A	86262200	07054	1	BX51 BELT		Honda, Onan E124
17B	86262190	07035	ref	BX50 BELT		Kawasaki, Onan P248
18	86262300	07023	1	CENTER LOCK		
19A	86263540	07014	2	WHEEL 6" W/BKT		
19B	86263530	07013	ref	WHEEL (ONLY)		Service Only
20	86263110	07085	1	PAD DRIVER 27" FLEX		
21	86262280	07015	2	CASTER 3"		
22	86262560	07151	1	FLANGE		
23	86262780	07016	1	IDLER PULLEY		
24	86263460	07121	1	TENSIONER		
25A	86262930	07063	1	LP TANK (ALUM)		
25B	86262920	07025	ref	LP TANK (STEEL)		
26	86263520	07048	1	VELCRO TAPE		
27	86263470	07002	1	THROTTLE CABLE		
28	86263090	07081	1	PAD DRIVER 27" FLEX COMPLETE		
29	86262330	07111	-	CHOKE CABLE		Not Shown
30	86262720	07024	-	HONDA STARTER (110 VOLT)		Not Shown
31	86261860	07109	-	20HP REGULATOR BRACKET		Not Shown
32	86262340	07117	-	CHOKE BRACKET		Not Shown

NOTE: For engine information not listed in this standard manual parts list, refer to appropriate Engine Owner's Manual.

30" STRIPPER GROUP



30" STRIPPER PARTS LIST

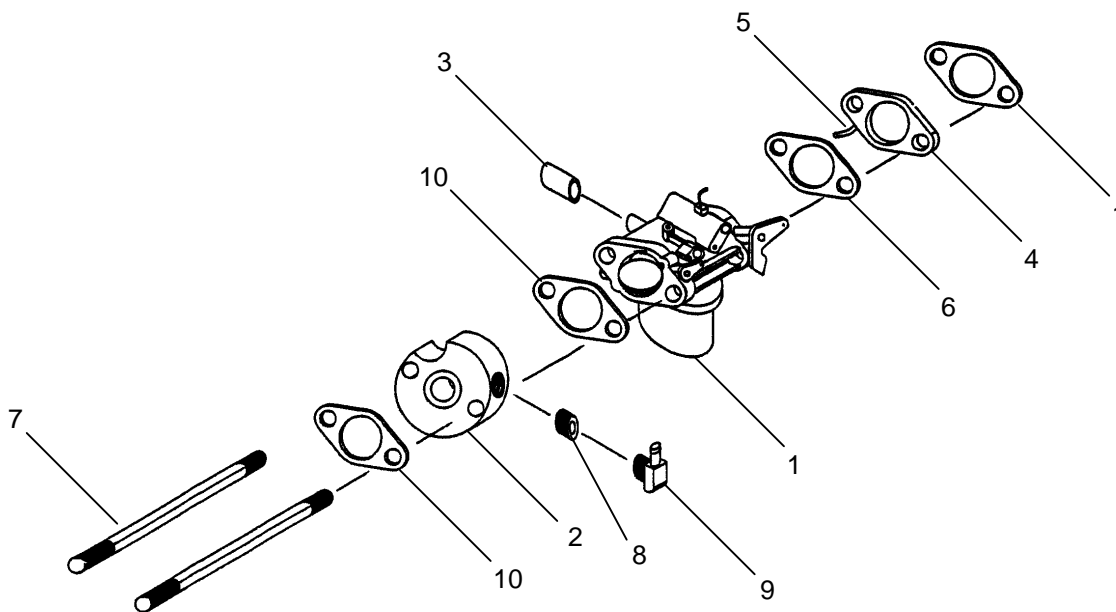
REF	PART NO.	PRV NO.	QTY	DESCRIPTION	SERIAL NO. FROM	NOTES:
1	86262580	07093	1	FOAM HAND GRIPS		
2	86262570	07083	1	FM HANDLE		
3	86233140	07089	1	PLASTIC HOLDER		
4	86262830	07129	1	KEY SWITCH		
5A	86261970	07039	1	BATTERY BOX		
5B	86261880	07068	1	6" KEY SWITCH BRACKET		
6A	86263030	07066	1	ONAN E124		
6B	86262730	07123	ref	HONDA 390 13HP		
6C	86262800	07086	ref	KAWASAKI 17HP		
7	86262310	07046	1	CENTRIFUGAL SWITCH		
8	86262180	07078	1	BX49 BELT		
9	86262740	07112	1	HOOD ASSY. TWIN (ALUM) BLUE		
10	86262500	07107	1	EXPANDED METAL PLATE 4.5 X 14		
11	86262680	07120	2	GEAR BOX TWIN HEAD		
12	86263260	07108	1	PULLEY 7.0 X 5/8		
13A	86261980	07067	1	BATTERY CONNECTOR ONAN E124		
13B	86262010	07116	1	BATTERY CONNECTOR KAWASAKI 17HP		
14	86262690	07077	1	HANDLE GUSSETT		
15	86262700	07105	1	HEAT SHIELD FOIL MATERIAL		
16	86262770	07017	1	HOUR METER		
17	86262710	07106	1	HEAT SHIELD SUPPORT PLATE		
18A	86262040	07072	2	BRUSH PLATE CLAMP		
18B	86263380	07071	2	SPRING CLIP		
19	86263480	07170	1	TRANSPORT WHL – FRNT SPRT		
20	86262840	07149	1	KEY STOCK ¼ X 3		
21	86262970	07060	2	MOUNTING PLATE TWIN HEAD		
22	86261920	07061	2	ALUMINUM HUB		
23	86262320	07057	2	CENTRAL FLEX		
24	86263410	07169	1	STRIP BRUSH (1 SET)		
25	86262940	07075	6	LUGS L-800		
26	86262280	07015	1	CASTER 3"		
27A	86263460	07121	1	TENSIONER		
27B	86262780	07016	1	IDLER PULLEY		
28	86263370	07110	1	SPLASH GUARD TRACKER		
29	86262440	07070	2	DELFIN BEARING 1"		
30	86263550	07040	2	WHEEL 10" AIR FILLED		
31	86263560	07152	2	WHEEL SPACER ½"		
32	86263490	07082	1	TWIN HEAD STRIP FRAME		
33	86261960	07038	1	BATTERY 12VOLT		
34	86263520	07048	2	VELCRO TAPE		
35	86263470	07002	1	THROTTLE CABLE		
36	86262920	07025	1	LP TANK (STEEL)		
37		N/A	ref	Engine Owner's Manual		Comes with Literature
38	86243840	500664	1	LABEL, LIGHTNING PRPN WINDSOR		
39	86263430	07097	-	SUPPORT		Not Shown
40	86262340	07117	-	CHOKE BRACKET		Not Shown
41	86263220	07026	-	PULLEY 3.0		Not Shown

NOTE: For engine information not listed in this standard manual parts list, refer to appropriate Engine Owner's Manual.

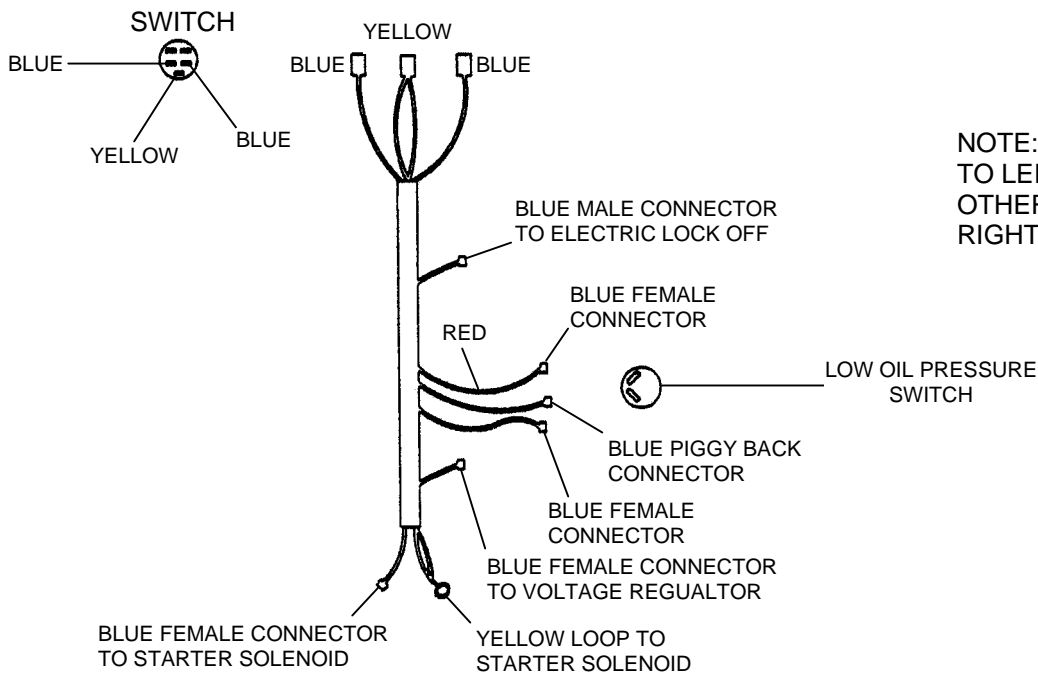
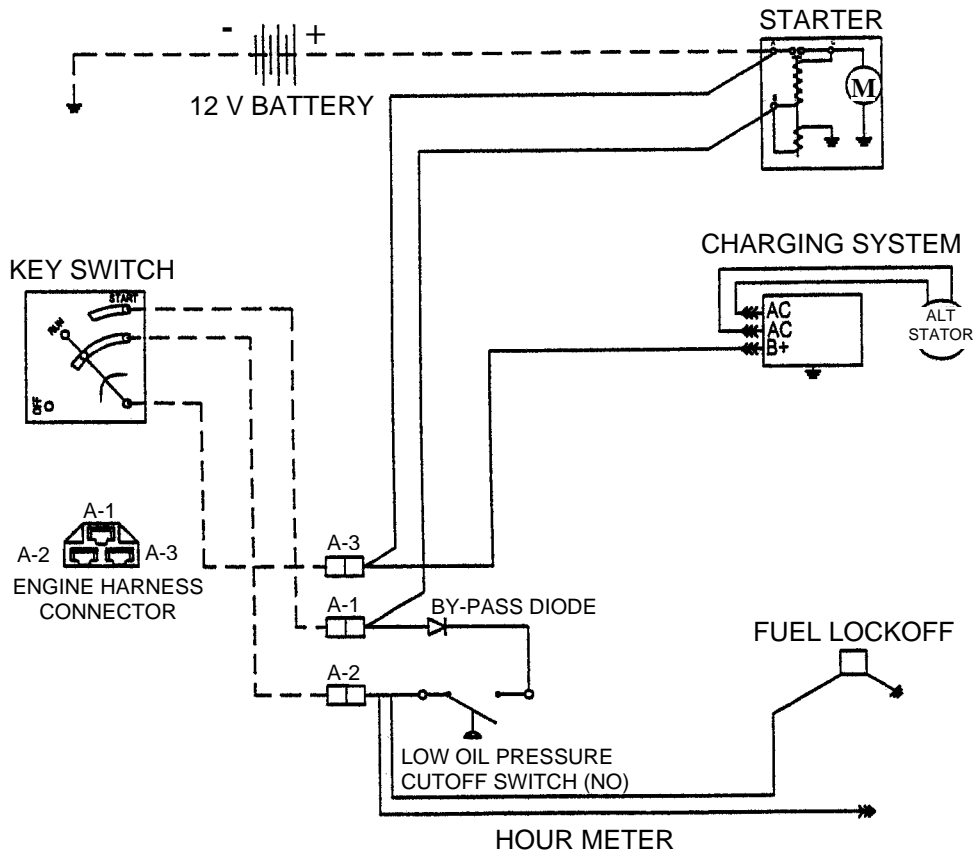
KAWASAKI FUEL LOAD BLOCK

REF	PART NO.	PRV NO.	QTY	DESCRIPTION	SERIAL NO. FROM	NOTES:
1	86262270	07134	1	CARBURETOR ASSEMBLY		
2	86262620	07103	1	FUEL LOAD BLOCK		
3	86263340	07156	1	RUBBER CAP ¼		
4	86262790	07135	1	INSULATOR		
5	86263510	07007	1	VACUUM TEE		
6	86262650	07132	1	GASKET AIR FILTER		
7	86263420	07155	1	STUD M-6 X 130		
8	86262030	07100	1	BRASS PLUG 1/8		
9	86261870	07101	1	3/8 HOSE X ¼ MP ELBOW		
10	86262660	07133	1	GASKET AIR FILTER		

Note: For engine information not listed in the standard parts list, refer to the appropriate engine parts manual.



KAWASAKI WIRING DIAGRAM

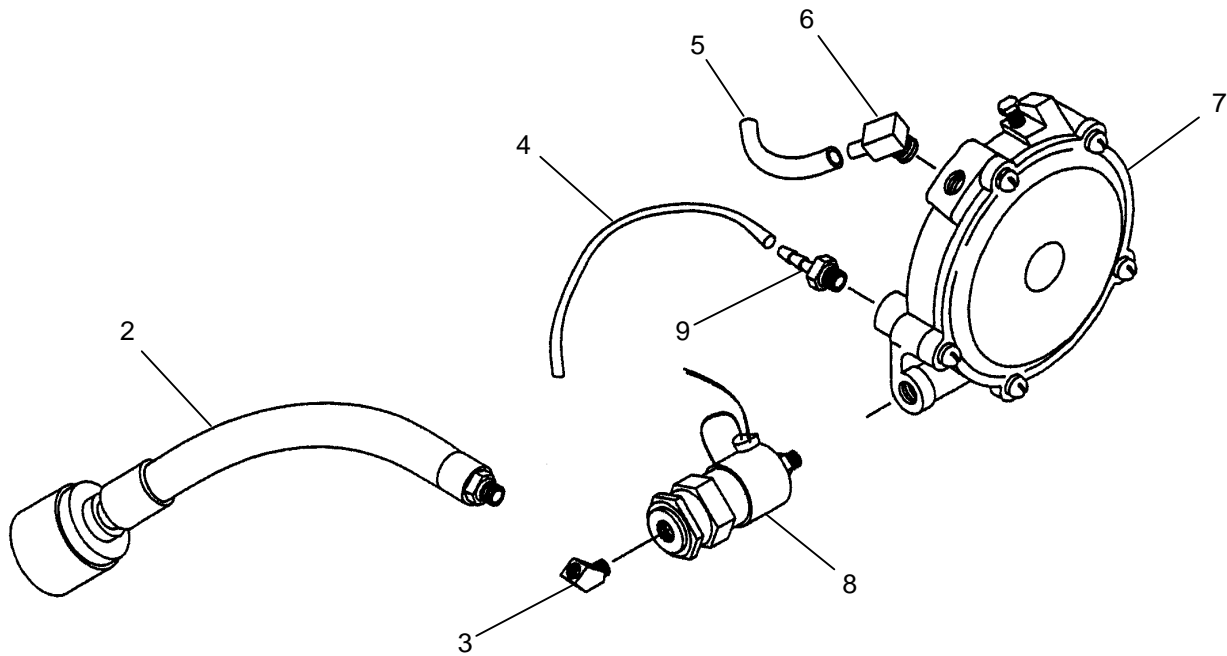


NOTE: RED WIRE CONNECTS TO LEFT SIDE OF SWITCH. ALL OTHER WIRES CONNECT TO RIGHT SIDE OF SWITCH

KAWASAKI FUEL SYSTEM

REF	PART NO.	PRV NO.	QTY	DESCRIPTION	SERIAL NO. FROM	NOTES:
1	86263270	07012	1	QUICK COUPLER		
2	86262900	07006	1	LP HOSE TO TANK		
3	86262530	07009	1	FITTING 1/4 X 90 STREET ELBOW		
4	86262760	07003	1	HOSE, VAC		
5	86262610	07004	1	FUEL HOSE		
6	86262540	07010	1	FITTING 3/8 BARB X 3/8 MP		
7	86263320	07118	1	REGULATOR		
8	86262630	07113	1	FUEL LOCK W/FILTER 12VOLT		
9	86262550	07011	1	FITTING 1/4BARB X 1/4MP		

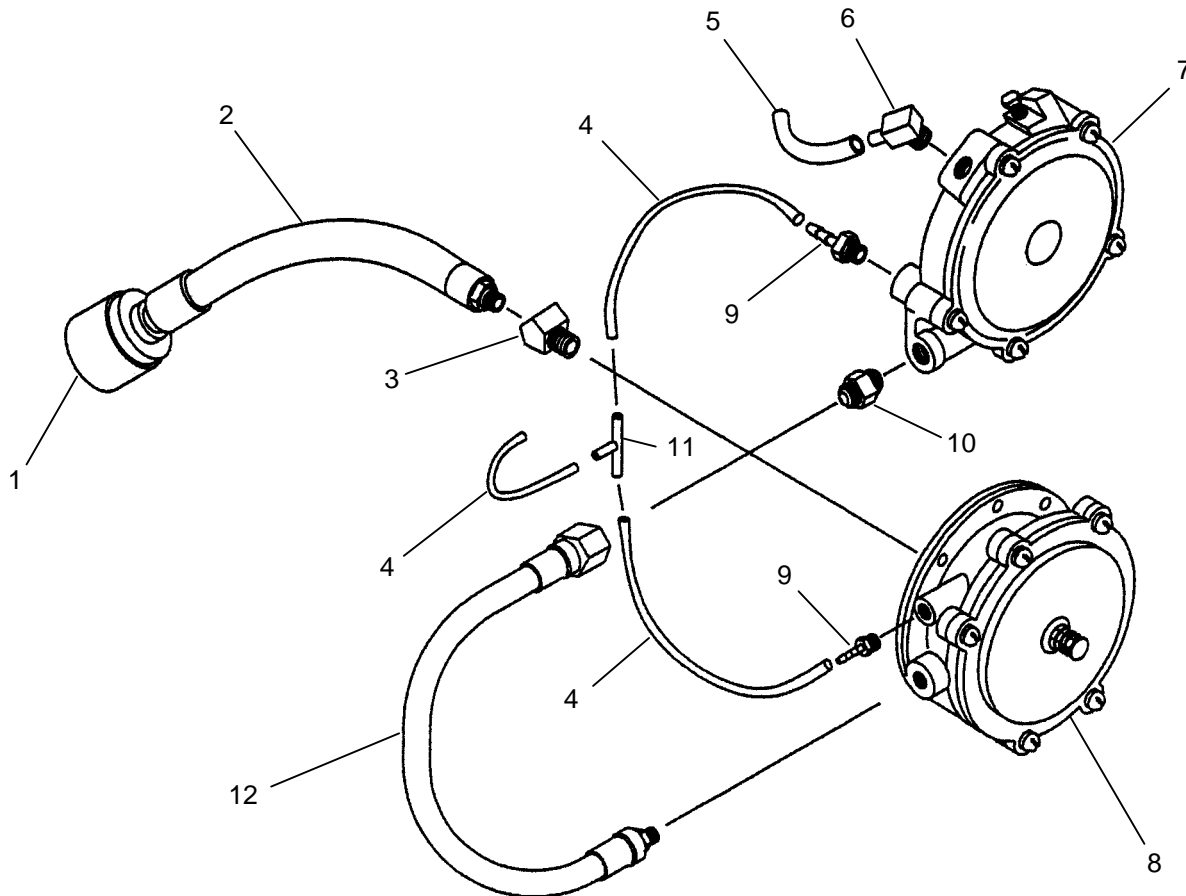
NOTE: For engine information not listed in this Standard Parts List, refer to the appropriate Engine Parts Manual.



HONDA FUEL SYSTEM

REF	PART NO.	PRV NO.	QTY	DESCRIPTION	SERIAL NO. FROM	NOTES:
1	86263270	07012	1	QUICK COUPLER		
2	86262900	07006	1	LP HOSE TO TANK		
3	86262530	07009	1	FITTING ¼ X 90 STREET ELBOW		
4	86262760	07003	3	HOSE, VAC		
5	86262610	07004	1	FUEL HOSE		
6	86262540	07010	1	FITTING 3/8 BARB X 3/8 MP		
7	86263310	07064	1	REGULATOR		
8	86262880	07065	1	LOCKOFF		
9	86262330	07011	2	FITTING 1/4BARB X 1/4MP		
10	86262520	07008	1	FITTING 3/8 FLARE X 1/4MP		
11	86263500	07042	1	VAC TEE		
12	86262890	07005	1	LP HOSE REG TO LOCK		

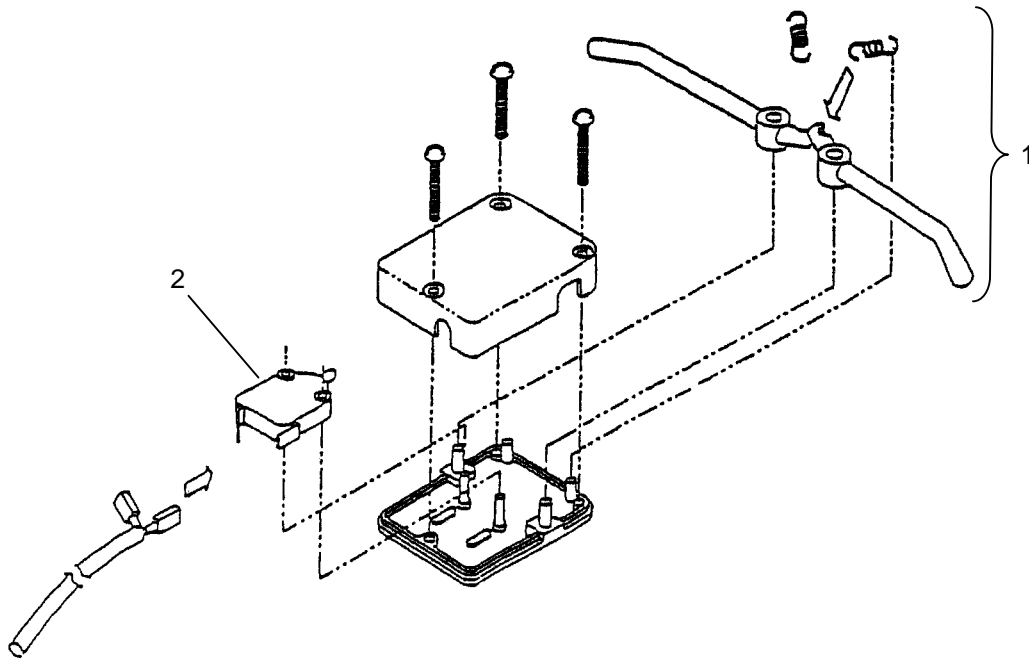
NOTE: For engine information not listed in this Standard Parts List, refer to the appropriate Engine Parts Manual.



KILL SWITCH ASSEMBLY

REF	PART NO.	PRV NO.	QTY	DESCRIPTION	SERIAL NO. FROM	NOTES:
1	86261930	07056	1	ARM & SPRINGS (2 EACH)		
2	86263450	07050	1	SWICTH MICRO (KILL)		

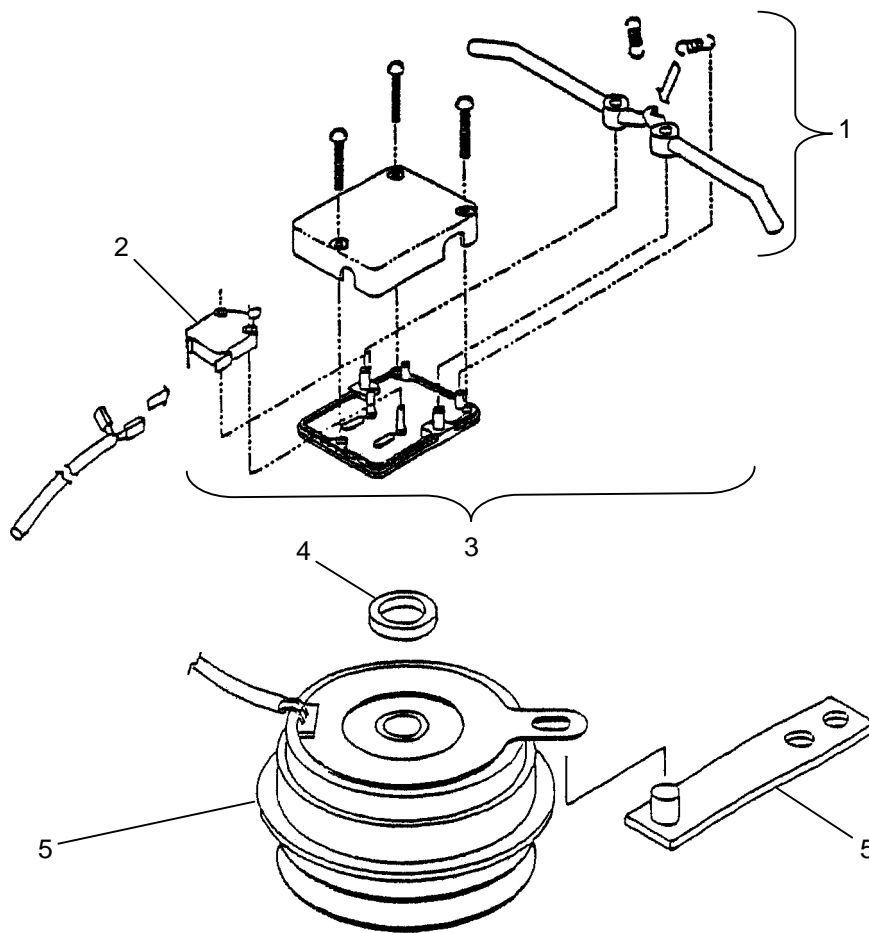
NOTE: For engine information not listed in this Standard Parts List, refer to the appropriate Engine Parts Manual.



CLUTCH AND SWITCH ASSEMBLY

REF	PART NO.	PRV NO.	QTY	DESCRIPTION	SERIAL NO. FROM	NOTES:
1	86261930	07056	1	ARM & SPRINGS (2 EACH)		
2	86263440	07049	1	SWITCH (CLUTCH)		
3	86262360	07047	1	CLUTCH SWITCH ASM. COMPLETE		
4	86263350	07044	1	SPACER		
5	86262460	07045	1	ELECTRIC CLUTCH		
6	86262350	07043	1	CLUTCH ARM		

NOTE: For engine information not listed in this Standard Parts List, refer to the appropriate Engine Parts Manual.



BELT CHART/NOTES

PART NO.	PRV NO.	DESCRIPTION	NOTES:
86262060	07052	BX34 BELT	
86262070	07041	BX36 BELT	
86262080	07020	BX38 BELT	
86262090	07027	BX40 BELT	
86262100	07021	BX41 BELT	
86262110	07028	BX42 BELT	
86262120	07069	BX43 BELT	
86262130	07030	BX44 BELT	
86262140	07031	BX45 BELT	
86262150	07148	BX46 BELT	
86262160	07091	BX47 BELT	
86262170	07053	BX48 BELT	
86262180	07078	BX49 BELT	
86262190	07035	BX50 BELT	
86262200	07054	BX51 BELT	
86262210	07029	BX52 BELT	
86262220	07037	BX53 BELT	
86262230	07036	BX54 BELT	
86262240	07073	BX55 BELT	
86262250	07074	BX56 BELT	
86262260	07087	BX58 BELT	

MACHINE	PRV MACHINE NO.	STANDARD CLUTCH BELT PART NO.	STANDARD CLUTCH BELT PRV NO.	W/ELECTRIC CLUTCH BELT PART NO.	W/ELECTRIC CLUTCH BELT PRV NO.
10023000	L21H13	86262090	07027	86262110	07028
10023020	L21K17	86262090	07027	86262110	07028
10023040	L24H13	86262140	07031	86262170	07053
10023030	L24ER22	86262110	07028	86262130	07030
10023060	L24K17	86262120	07069	86262150	07148
10023080	L27H13	86262200	07054	-	-
10023070	L27ER22	-	N/A	86262260	07087
10023090	L27K17	86262190	07035	86262210	07029
10023110	LS30H13	86262180	07078	-	N/A
10023110	LS30H13	86262180	07078	-	N/A