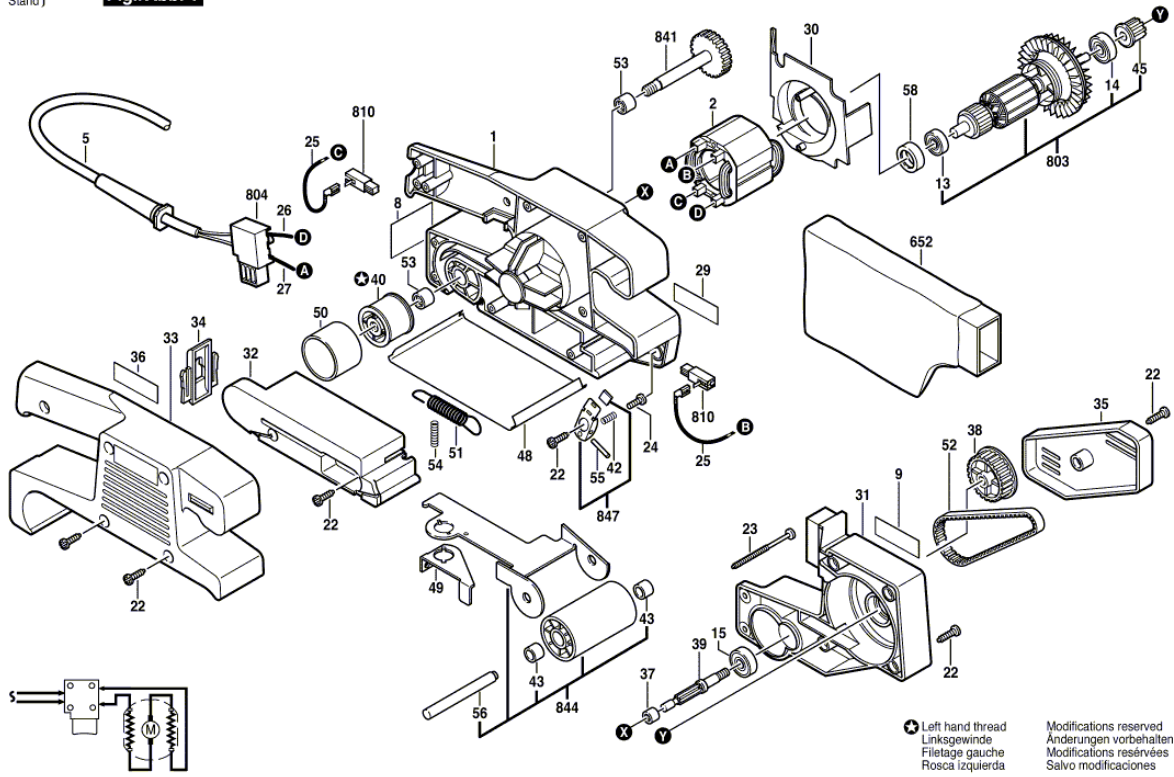




# F 012 731 301 BELT SANDER 7313

21.09.2006  
17:50:04

F012 731 301  
Issue | 00-11-10 | Fig./Abb. 1  
Stand |



Item	Quantity	Order No.	Designation	Price group	Page
1	1	2 610 909 580	MOTOR HOUSING		1
2	1	2 610 352 364	POLE SHOE \ 120V		1
5	1	2 610 354 068	MAINS CONNECTION CABLE		1
8	1	2 610 998 885	NAMEPLATE		1
9	1	2 610 911 627	REFERENCE PLATE		1
13	1	2 610 996 216	DEEP-GROOVE BALL BEARING		1
14	1	2 610 010 409	DEEP-GROOVE BALL BEARING		1
15	1	2 610 305 670	BALL BEARING		1
22	13	2 610 326 578	SCREW		1
23	2	2 610 352 374	HEADLESS SCREW		1
24	1	2 610 367 556	SCREW		1
25	2	2 610 038 615	CONNECTING CABLE		1
26	1	2 610 039 850	CONNECTING CABLE		1
27	1	2 610 039 851	CONNECTING CABLE		1
29	1	2 610 347 244	MANUFACTURER'S NAMEPLATE		1
30	1	2 610 919 663	AIR GUIDE PLATE		1
31	1	2 610 909 578	BEARING END PLATE		1
32	1	2 610 909 579	BASE SUPPORT		1
33	1	2 610 909 581	COVER		1
34	1	2 610 390 788	PLATE \ RED		1
35	1	2 610 909 583	COVER		1
36	1	2 610 911 626	NAMEPLATE		1
37	1	2 610 348 609	NEEDLE-ROLLER BEARING		1
38	1	2 610 354 001	PULLEY		1
39	1	2 610 354 011	JACK SHAFT		1
40	1	2 610 354 016	ROLLER		1
42	1	2 610 361 473	SPRING		1
43	2	2 610 361 694	BEARING		1
45	1	2 610 386 472	PULLEY		1
48	1	2 610 907 974	PLATE		1
49	1	2 610 907 638	LEVER		1
50	1	2 610 372 780	RING		1
51	1	2 610 372 781	SPRING		1
52	1	2 610 372 783	DRIVE BELT		1
53	2	2 610 372 789	BEARING		1
54	1	2 610 373 415	SPRING		1
55	1	2 610 374 649	DOWEL PIN		1
56	1	2 610 913 863	SHAFT		1
58	1	2 610 373 997	BUSHING		1
652	1	2 610 373 400	DUST BAG \ GREEN		1
803	1	2 610 996 246	ARMATURE \ 120V		1
804	1	2 610 353 949	ON-OFF SWITCH		1
810	1	2 610 967 197	CARBON-BRUSH SET		1
841	1	2 610 354 747	SPINDLE WITH GEAR		1
844	1	2 610 906 137	ROLLER		1
847	1	2 610 918 936	CALIBRATION ARM		1

