

# Instruction manual

## Double Insulated Random Orbit 5" Sander/6" Polisher



MODELS - 7335, 7336,  
7336SP, 7355, 7366, 7424



### IMPORTANT

Please make certain that the person who is to use this equipment carefully reads and understands these instructions before starting operations.

The Model and Serial No. plate is located on the main housing of the tool. Record these numbers in the spaces below and retain for future reference.

Model No. \_\_\_\_\_

Type \_\_\_\_\_

Serial No. \_\_\_\_\_

To learn more about Porter-Cable  
visit our website at:

<http://www.porter-cable.com>

**PORTER-CABLE**  
PROFESSIONAL POWER TOOLS

# TABLE OF CONTENTS

<b>IMPORTANT SAFETY INSTRUCTIONS</b> .....	2
<b>SAFETY GUIDELINES</b> .....	3
<b>GENERAL SAFETY RULES</b> .....	4
<b>ADDITIONAL SPECIFIC SAFETY RULES</b> .....	6
<b>ADDITIONAL SAFETY RULES FOR PAINT REMOVAL</b> .....	8
<b>CARTON CONTENTS</b> .....	9
<b>FUNCTIONAL DESCRIPTION</b> .....	9
<b>ASSEMBLY</b> .....	10
<b>OPERATION</b> .....	10
<b>TROUBLESHOOTING</b> .....	13
<b>MAINTENANCE</b> .....	13
<b>SERVICE</b> .....	14
<b>ACCESSORIES</b> .....	14
<b>WARRANTY</b> .....	14
<b>ESPAÑOL</b> .....	15
<b>FRANÇAISE</b> .....	29
<b>SERVICE CENTER LOCATIONS</b> .....	back cover

## IMPORTANT SAFETY INSTRUCTIONS

**▲ WARNING** Read and understand all warnings and operating instructions before using any tool or equipment. When using tools or equipment, basic safety precautions should always be followed to reduce the risk of personal injury. Improper operation, maintenance or modification of tools or equipment could result in serious injury and property damage. There are certain applications for which tools and equipment are designed. Porter-Cable strongly recommends that this product NOT be modified and/or used for any application other than for which it was designed.

If you have any questions relative to its application DO NOT use the product until you have written Porter-Cable and we have advised you.

Online contact form at [www.porter-cable.com](http://www.porter-cable.com)

Postal Mail: Technical Service Manager  
Porter-Cable Corporation  
4825 Highway 45 North  
Jackson, TN 38305

Information regarding the safe and proper operation of this tool is available from the following sources:

Power Tool Institute

1300 Sumner Avenue, Cleveland, OH 44115-2851

[www.powertoolinstitute.org](http://www.powertoolinstitute.org)

National Safety Council

1121 Spring Lake Drive, Itasca, IL 60143-3201

American National Standards Institute, 25 West 43rd Street, 4 floor, New York, NY 10036 [www.ansi.org](http://www.ansi.org) ANSI 01.1 Safety Requirements for Woodworking Machines, and the U.S. Department of Labor regulations [www.osha.gov](http://www.osha.gov)

**SAVE THESE INSTRUCTIONS!**

## SAFETY GUIDELINES - DEFINITIONS

It is important for you to read and understand this manual. The information it contains relates to protecting YOUR SAFETY and PREVENTING PROBLEMS. The symbols below are used to help you recognize this information.



### **▲ DANGER**

indicates an imminently hazardous situation which, if not avoided, will result in death or serious injury.

### **▲ WARNING**

indicates a potentially hazardous situation which, if not avoided, could result in death or serious injury.

### **▲ CAUTION**

indicates a potentially hazardous situation which, if not avoided, may result in minor or moderate injury.

### **CAUTION**

used without the safety alert symbol indicates a potentially hazardous situation which, if not avoided, may result in property damage.

## CALIFORNIA PROPOSITION 65

### **▲ WARNING**

Some dust created by power sanding, sawing, grinding, drilling, and other construction activities contains chemicals known (to the State of California) to cause cancer, birth defects or other reproductive harm. Some examples of these chemicals are:

- lead from lead-based paints
- crystalline silica from bricks and cement and other masonry products
- arsenic and chromium from chemically-treated lumber

Your risk from these exposures varies, depending on how often you do this type of work. To reduce your exposure to these chemicals: work in a well ventilated area, and work with approved safety equipment, always wear NIOSH/OSHA approved, properly fitting face mask or respirator when using such tools.

# GENERAL SAFETY RULES

**▲ WARNING** Read all instructions. Failure to follow all instructions listed below may result in electric shock, fire and/or serious injury. The term "power tool" in all of the warnings listed below refers to your mains-operated (corded) power tool or battery-operated (cordless) power tool.



SAVE THESE INSTRUCTIONS

## 1) Work area safety

- a) **Keep work area clean and well lit.** Cluttered or dark areas invite accidents.
- b) **Do not operate power tools in explosive atmospheres, such as in the presence of flammable liquids, gases or dust.** Power tools create sparks which may ignite the dust or fumes.
- c) **Keep children and bystanders away while operating a power tool.** Distractions can cause you to lose control.

## 2) Electrical safety

- a) **Power tool plugs must match the outlet. Never modify the plug in any way. Do not use any adapter plugs with earthed (grounded) power tools.** Unmodified plugs and matching outlets will reduce risk of electric shock.
- b) **Avoid body contact with earthed or grounded surfaces such as pipes, radiators, ranges and refrigerators.** There is an increased risk of electric shock if your body is earthed or grounded.
- c) **Do not expose power tools to rain or wet conditions.** Water entering a power tool will increase the risk of electric shock.
- d) **Do not abuse the cord. Never use the cord for carrying, pulling or unplugging the power tool. Keep cord away from heat, oil, sharp edges or moving parts.** Damaged or entangled cords increase the risk of electric shock.
- e) **When operating a power tool outdoors, use an extension cord suitable for outdoor use.** Use of a cord suitable for outdoor use reduces the risk of electric shock.

## 3) Personal safety

- a) **Stay alert, watch what you are doing and use common sense when operating a power tool. Do not use a power tool while you are tired or under the influence of drugs, alcohol or medication.** A moment of inattention while operating power tools may result in serious personal injury.
- b) **Use safety equipment. Always wear eye protection.** Safety equipment such as dust mask, non-skid safety shoes, hard hat, or hearing protection used for appropriate conditions will reduce personal injuries.
- c) **Avoid accidental starting. Ensure the switch is in the off-position before plugging in.** Carrying power tools with your finger on the switch or plugging in power tools that have the switch on invites accidents.

## GENERAL SAFETY RULES continued

- d) **Remove any adjusting key or wrench before turning the power tool on.** A wrench or a key left attached to a rotating part of the power tool may result in personal injury.
- e) **Do not overreach. Keep proper footing and balance at all times.** This enables better control of the power tool in unexpected situations.
- f) **Dress properly. Do not wear loose clothing or jewelry. Keep your hair, clothing and gloves away from moving parts.** Loose clothes, jewelry or long hair can be caught in moving parts.
- g) **If devices are provided for the connection of dust extraction and collection facilities, ensure these are connected and properly used.** Use of these devices can reduce dust-related hazards.

### 4) Power tool use and care

- a) **Do not force the power tool. Use the correct power tool for your application.** The correct power tool will do the job better and safer at the rate for which it was designed.
- b) **Do not use the power tool if the switch does not turn it on and off.** Any power tool that cannot be controlled with the switch is dangerous and must be repaired.
- c) **Disconnect the plug from the power source before making any adjustments, changing accessories, or storing power tools.** Such preventive safety measures reduce the risk of starting the power tool accidentally.
- d) **Store idle power tools out of the reach of children and do not allow persons unfamiliar with the power tool or these instructions to operate the power tool.** Power tools are dangerous in the hands of untrained users.
- e) **Maintain power tools. Check for misalignment or binding of moving parts, breakage of parts and any other condition that may affect the power tools operation. If damaged, have the power tool repaired before use.** Many accidents are caused by poorly maintained power tools.
- f) **Keep cutting tools sharp and clean.** Properly maintained cutting tools with sharp cutting edges are less likely to bind and are easier to control.
- g) **Use the power tool, accessories and tool bits etc., in accordance with these instructions and in the manner intended for the particular type of power tool, taking into account the working conditions and the work to be performed.** Use of the power tool for operations different from those intended could result in a hazardous situation.








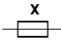


### 5) Service

- a) **Have your power tool serviced by a qualified repair person using only identical replacement parts.** This will ensure that the safety of the power tool is maintained.

## ADDITIONAL SPECIFIC SAFETY RULES

1. **Hold power tools by insulated gripping surfaces when performing an operation where the cutting tool may contact hidden wiring or its own cord.** Contact with a "live" wire will make exposed metal parts of the tool "live" and shock the operator.
2. **Use proper safety equipment.** Wear safety goggles for eye protection, wear hearing protection, and wear a protective mask to minimize breathing in the fine dust created while sanding.
3. **Always disconnect the sander cord plug from the power circuit before changing abrasive sheets.** Such preventive safety measures reduce the risk of starting the power tool accidentally.
4. **Sanding of lead-based paint is not recommended.** Lead-based paint should only be removed by a professional.
5. **Always maintain a firm grip on the sander handles** with both hands to prevent loss of control.
6. **Do not operate sander without all guards and covers** securely in place.
7. **Wear eye and hearing protection. Always use safety glasses.** Everyday eyeglasses are NOT safety glasses. USE CERTIFIED SAFETY EQUIPMENT. Eye protection equipment should comply with ANSI Z87.1 standards. Hearing equipment should comply with ANSI S3.19 standards.
8. **⚠ WARNING Use of this tool can generate and disburse dust or other airborne particles, including wood dust, crystalline silica dust and asbestos dust.** Direct particles away from face and body. Always operate tool in well ventilated area and provide for proper dust removal. Use dust collection system wherever possible. Exposure to the dust may cause serious and permanent respiratory or other injury, including silicosis (a serious lung disease), cancer, and death. Avoid breathing the dust, and avoid prolonged contact with dust. Allowing dust to get into your mouth or eyes, or lay on your skin may promote absorption of harmful material. Always use properly fitting NIOSH/OSHA approved respiratory protection appropriate for the dust exposure, and wash exposed areas with soap and water.

**SAVE THESE INSTRUCTIONS!**

<b>SYMBOL</b>	<b>DEFINITION</b>
V .....	volts
A .....	amperes
Hz .....	hertz
W .....	watts
kW .....	kilowatts
F .....	farads
$\mu$ F .....	microfarads
l .....	litres
g .....	grams
kg .....	kilograms
bar .....	bars
Pa .....	pascals
h .....	hours
min .....	minutes
s .....	seconds
$n_0$ .....	no-load speed
.../min or ...min <sup>-1</sup> .....	Revolutions or reciprocations per minute
 or d.c. ....	direct current
 or a.c. ....	alternating current
2  .....	two-phase alternating current
2N  .....	two-phase alternating current with neutral
3  .....	three-phase alternating current
3N  .....	three-phase alternating current with neutral
 A .....	rated current of the appropriate fuse-link in amperes
 .....	time-lag miniature fuse-link where X is the symbol for the time/current characteristic, as given in IEC 60127
 .....	protective earth
 .....	class II tool
IPXX .....	IP symbol

**SAVE THESE INSTRUCTIONS!**

## ADDITIONAL SAFETY RULES FOR PAINT REMOVAL

### ⚠ WARNING

Extreme care should be taken when removing paint. The peelings, residue, and vapors of paint may contain lead, which is poisonous. Exposure to even low levels of lead can cause irreversible brain and nervous system damage. Young and unborn children are particularly vulnerable.

Before beginning any paint removal process you should determine whether the paint you are removing contains lead. This can be done by your local health department or by a professional who uses a paint analyzer to check for lead.

### **Lead-based paint should only be removed by a professional.**

Persons removing paint should follow these guidelines:

- 1. Keep the work area well ventilated.** Open the windows and put an exhaust fan in one of them. Be sure the fan is moving air from inside to outside.
- 2. Remove or cover any carpets, rugs, furniture, clothing, cooking utensils, and air ducts.** Such preventive safety measures reduce the risk of exposure.
- 3. Place drop cloths in the work area to catch any paint chips or peelings. Wear protective clothing such as extra work shirts, overalls and hats.** Such preventive safety measures reduce the risk of exposure.
- 4. Work in one room at a time.** Furnishings should be removed or placed in the center of the room and covered. Work areas should be sealed off from the rest of the dwelling by sealing doorways with drop cloths.
- 5. Children, pregnant, or potentially pregnant women and nursing mothers should not be present in the work area until the work is done and all cleanup is complete.** Such preventive safety measures reduce the risk of injury.
- 6. Wear a dust respirator or a dual filter (dust and fume) respirator mask which has been approved by the Occupational Safety and Health Administration (OSHA), the National Institute of Safety and Health (NIOSH), or the United States Bureau of Mines.** These masks and replaceable filters are readily available at major hardware stores. Be sure the mask fits. Beards and facial hair may keep the masks from sealing properly. Change filters often. DISPOSABLE PAPER MASKS ARE NOT ADEQUATE.
- 7. Keep food and drink out of the work area.** Wash hands, arms, and face and rinse mouth before eating or drinking. Do not smoke or chew gum or tobacco in the work area.
- 8. Clean up all removed paint and dust by wet mopping the floors.** Use a wet cloth to clean all walls, sills and any other surfaces where paint or dust is clinging. DO NOT SWEEP, DRY DUST OR VACUUM. Use a high phosphate detergent or trisodium (TSP) to wash and mop areas.
- 9. At the end of each work session, put the paint chips and debris in a double plastic bag, close it with tape or twist ties and dispose properly.** Such preventive safety measures reduce the risk of exposure.
- 10. Remove protective clothing and work shoes in the work area to avoid carrying dust into the rest of the dwelling.** Wash work clothes separately. Wipe shoes off with a wet rag, then wash that rag with the work clothes. Wash hair and body thoroughly with soap and water.

**SAVE THESE INSTRUCTIONS!**



## MOTOR

Many Porter-Cable tools will operate on either D.C., or single phase 25 to 60 cycle A.C. current and voltage within plus or minus 5 percent of that shown on the specification plate on the tool. Several models, however, are designed for A.C. current only. Refer to the specification plate on your tool for proper voltage and current rating.

**CAUTION** Do not operate your tool on a current on which the voltage is not within correct limits. Do not operate tools rated A.C. only on D.C. current. To do so may seriously damage the tool.

## EXTENSION CORD SELECTION

If an extension cord is used, make sure the conductor size is large enough to prevent excessive voltage drop which will cause loss of power and possible motor damage. A table of recommended extension cord sizes will be found in this section. This table is based on limiting line voltage drop to 5 volts (10 volts for 230 volts) at 150% of rated amperes.

If an extension cord is to be used outdoors, it must be marked with the suffix W-A or W following the cord type designation. For example – SJTW-A to indicate it is acceptable for outdoor use.

### RECOMMENDED EXTENSION CORD SIZES FOR USE WITH PORTABLE ELECTRIC TOOLS

		Length of Cord in Feet									
		115V	25 Ft.	50 Ft.	100 Ft.	150 Ft.	200 Ft.	250 Ft.	300 Ft.	400 Ft.	500 Ft.
		230V	50 Ft.	100 Ft.	200 Ft.	300 Ft.	400 Ft.	500 Ft.	600 Ft.	800 Ft.	1000 Ft.
Nameplate Ampere Rating	0-2	18	18	18	16	16	14	14	12	12	12
	2-3	18	18	16	14	14	12	12	10	10	10
	3-4	18	18	16	14	12	12	10	10	8	8
	4-5	18	18	14	12	12	10	10	8	8	8
	5-6	18	16	14	12	10	10	8	8	6	6
	6-8	18	16	12	10	10	8	6	6	6	6
	8-10	18	14	12	10	8	8	6	6	4	4
	10-12	16	14	10	8	8	6	6	4	4	4
	12-14	16	12	10	8	6	6	6	4	2	2
	14-16	16	12	10	8	6	6	4	4	2	2
	16-18	14	12	8	8	6	4	4	2	2	2
18-20	14	12	8	6	6	4	4	2	2	2	

**SAVE THESE INSTRUCTIONS!**

## CARTON CONTENTS

This tool is shipped with an auxiliary handle, an abrasive disc, a 9/16" wrench, a spacer, an instruction manual, and a parts list.

## FUNCTIONAL DESCRIPTION

### FOREWORD

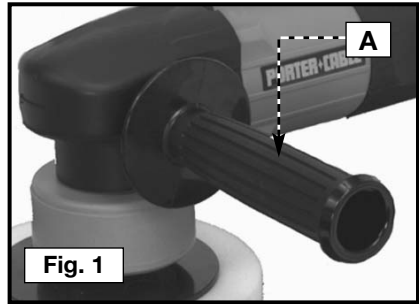
The Porter-Cable Random Orbit Polisher performs various tasks, including polishing, rubbing, and general cleaning jobs. Used as a Random Orbit Sander, the tool provides rapid stock removal with 80 to 100 grit paper and swirl-free finishing with 120 to 150 grit paper.

## ASSEMBLY

**NOTE:** This tool is shipped completely assembled. No assembly time or tools are required.

### AUXILIARY HANDLE

An auxiliary handle (A) Fig. 1 is furnished with the tool. You can install the auxiliary handle on either side of the front housing to facilitate either right-handed or left-handed operation.



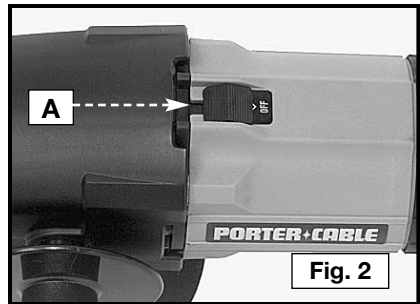
**⚠ WARNING** Use this handle at all times to maintain complete control of the tool.

## OPERATION

### TO START AND STOP TOOL

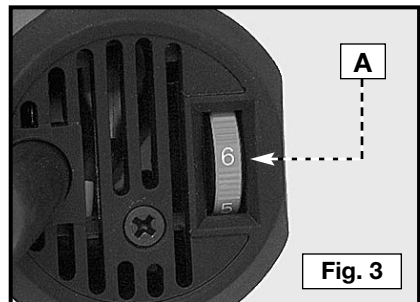
**⚠ WARNING** Make certain that the switch is in the “OFF” position, and the power source is the same as that specified on the tool’s nameplate.

1. Connect the tool to the power source.
2. Slide the switch button (A) Fig. 2 forward to start the motor. Slide the switch button to the rear to stop the motor.



### VARIABLE SPEED MODELS

Adjust the speed by turning the thumbwheel (A) Fig. 3. Thumbwheel position #1 provides the slowest operating speed (2500 OPM) and position #6, the fastest (6000 OPM). You can change the speed while the motor is running or while it is stopped.



## USING THE POLISHER

**⚠ WARNING** If your workpiece is so light that it can be moved by the rotating pad, anchor it securely to prevent possible bodily injury.

1. Read and follow the directions supplied with the product (polishes, waxes, cleaners, etc.).
2. Apply a small amount of the product directly to the polishing pad.
3. Grasp the polisher firmly with both hands - one hand on auxiliary handle and one hand on motor housing (Fig. 4).
4. Position the polisher with the polishing pad against the work surface and start the polisher. NEVER run or stop the tool when it is not in contact with the work surface.
5. Move the polisher back and forth in a sweeping motion, overlapping each previous pass.
6. DO NOT apply additional pressure. Allow the polisher to work under its own weight.
7. Do not mix products (wax, polish, cleaner, etc.) on the same pad. Label each pad to prevent confusion.
8. The polishing pad is designed for **product application only**. Remove product residue with a soft cotton cloth.



## INSTALLING/REMOVING ABRASIVE DISC

**⚠ WARNING** DISCONNECT TOOL FROM POWER SOURCE.

1. Place the tool on the workbench with the pad up (Fig. 5).
2. Clean dust from the pad face.
3. Tear a new abrasive disc from the roll and position the disc on the sander pad.
4. Press the disc firmly on the pad.
5. Position the tool with the abrasive contacting scrap material. Start the tool and operate it momentarily with firm pressure to seat the disc to the pad.



**⚠ WARNING** Failure to properly seat the disc to the pad may result in the disc being thrown from the pad, causing personal injury.

6. Remove the disc by peeling it away from pad.

**NOTE:** Do not store the tool with the abrasive disc installed. Heat generated by the sanding operation increases the adhesive bond between the disc and the pad. If the disc is left on the pad for an extended period of time after use, it will be difficult to remove.

## USING THE SANDER

**⚠ WARNING** Secure the workpiece to prevent it from moving. Friction between the sanding disc and the workpiece can spin the workpiece away from sander and may cause bodily injury.

**⚠ WARNING** Wear ANSI Z87.1 safety glasses and dust mask.

1. Place the sander on the workpiece (Fig. 6) with the abrasive disc resting flat on the workpiece.

**NOTE:** The random orbiting mechanism allows you to start or stop the sander in or out of contact with the workpiece.

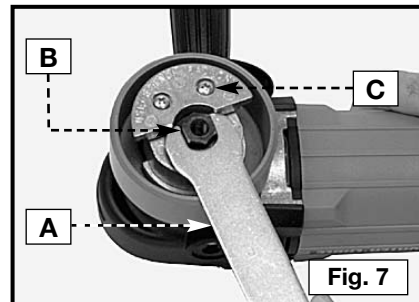
2. Grasp the sander firmly and move switch to the “ON” position.
3. Keep the sanding disc flat on the workpiece and move the sander in long, overlapping strokes. Tipping the sander or stopping in one spot can produce an uneven finish.
4. When finished, stop the sander and allow the pad rotation to stop completely before putting the sander down.



## CHANGING THE BACK-UP PAD

**⚠ WARNING** DISCONNECT TOOL FROM POWER SOURCE.

1. Engage the flats of the spindle (B) Fig. 6 with the supplied spindle wrench (A).



### NOTES:

- A. If necessary, rotate the pad by hand to expose the spindle flats.
  - B. The pad is removed in Fig. 7 for clarity.
  - C. A spacer is supplied with the 7336SP and 7424 to allow the backup pad to clear the eccentric plate screws (C) Fig. 7. Mount the spacer on the shaft before attaching the backup pad.
2. While holding the spindle with the wrench, use your other hand to rotate the pad counterclockwise to remove.
  3. To install the pad, reverse the above procedure.

## TROUBLESHOOTING

For assistance with your tool, visit our website at [www.porter-cable.com](http://www.porter-cable.com) for a list of service centers or call the Porter-Cable help line at 1-800-487-8665.

## MAINTENANCE

### KEEP TOOL CLEAN

Periodically blow out all air passages with dry compressed air. All plastic parts should be cleaned with a soft damp cloth. NEVER use solvents to clean plastic parts. They could possibly dissolve or otherwise damage the material.

**▲ WARNING** Wear ANSI Z87.1 safety glasses while using compressed air.

### FAILURE TO START

Should your tool fail to start, check to make sure the prongs on the cord plug are making good contact in the outlet. Also, check for blown fuses or open circuit breakers in the line.

### LUBRICATION

This tool has been lubricated with a sufficient amount of high grade lubricant for the life of the unit under normal operating conditions. No further lubrication is necessary.

### BRUSH INSPECTION (If applicable)

For your continued safety and electrical protection, brush inspection and replacement on this tool should ONLY be performed by an AUTHORIZED PORTER-CABLE SERVICE STATION or a PORTER-CABLE•DELTA FACTORY SERVICE CENTER.

At approximately 100 hours of use, take or send your tool to your nearest authorized Porter-Cable Service Station to be thoroughly cleaned and inspected. Have worn parts replaced and lubricated with fresh lubricant. Have new brushes installed, and test the tool for performance.

Any loss of power before the above maintenance check may indicate the need for immediate servicing of your tool. DO NOT CONTINUE TO OPERATE TOOL UNDER THIS CONDITION. If proper operating voltage is present, return your tool to the service station for immediate service.

## SERVICE

### REPLACEMENT PARTS

When servicing use only identical replacement parts. For a service parts list or to learn more about Porter-Cable visit our website at [www.porter-cable.com](http://www.porter-cable.com)

### SERVICE AND REPAIRS

All quality tools will eventually require servicing, or replacement of parts due to wear from normal use. For assistance with your tool, visit our website at [www.porter-cable.com](http://www.porter-cable.com) for a list of service centers or call the Customer Care Department at **1-800-487-8665**. All repairs made by our service centers are fully guaranteed against defective material and workmanship. We cannot guarantee repairs made or attempted by others.

Should you have any questions about your tool, feel free to write us at any time. In any communications, please give all information shown on the nameplate of your tool (model number, type, serial number, etc.).

## ACCESSORIES

A complete line of accessories is available from your Porter-Cable•Delta Supplier, Porter-Cable•Delta Factory Service Centers, and Porter-Cable Authorized Service Stations. Please visit our Web Site [www.porter-cable.com](http://www.porter-cable.com) for a catalog or for the name of your nearest supplier.

**▲ WARNING** Since accessories other than those offered by Porter-Cable•Delta have not been tested with this product, use of such accessories could be hazardous. For safest operation, only Porter-Cable•Delta recommended accessories should be used with this product.

## WARRANTY

### PORTER-CABLE LIMITED ONE YEAR WARRANTY

Porter-Cable warrants its Professional Power Tools for a period of one year from the date of original purchase. We will repair or replace at our option, any part or parts of the product and accessories covered under this warranty which, after examination, proves to be defective in workmanship or material during the warranty period. For repair or replacement return the complete tool or accessory, transportation prepaid, to your nearest Porter-Cable Service Center or Authorized Service Station. Proof of purchase may be required. This warranty does not apply to repair or replacement required due to misuse, abuse, normal wear and tear or repairs attempted or made by other than our Service Centers or Authorized Service Stations.

ANY IMPLIED WARRANTY, INCLUDING THE IMPLIED WARRANTIES OF MERCHANTABILITY AND FITNESS FOR A PARTICULAR PURPOSE, WILL LAST ONLY FOR ONE (1) YEAR FROM THE DATE OF PURCHASE.

To obtain information on warranty performance please write to: PORTER-CABLE CORPORATION, 4825 Highway 45 North, Jackson, Tennessee 38305; Attention: Product Service. THE FOREGOING OBLIGATION IS PORTER-CABLE'S SOLE LIABILITY UNDER THIS OR ANY IMPLIED WARRANTY AND UNDER NO CIRCUMSTANCES SHALL PORTER-CABLE BE LIABLE FOR ANY INCIDENTAL OR CONSEQUENTIAL DAMAGES. Some states do not allow limitations on how long an implied warranty lasts or the exclusion or limitation of incidental or consequential damages, so the above limitation or exclusion may not apply to you.

This warranty gives you specific legal rights and you may also have other legal rights which vary from state to state.

# PORTER-CABLE • DELTA SERVICE CENTERS (CENTROS DE SERVICIO DE PORTER-CABLE • DELTA) (CENTRE DE SERVICE PORTER-CABLE • DELTA)

**Parts and Repair Service for Porter-Cable • Delta Power Tools are Available at These Locations  
(Obtenga Refacción de Partes o Servicio para su Herramienta en los Sigüientes Centros de Porter-Cable • Delta)  
(Locations où vous trouverez les pièces de rechange nécessaires ainsi qu'un service d'entretien)**

**ARIZONA**  
Tempe 85282 (Phoenix)  
2400 West Southern Avenue  
Suite 105  
Phone: (602) 437-1200  
Fax: (602) 437-2200

**CALIFORNIA**  
Ontario 91761 (Los Angeles)  
3949A East Guasti Road  
Phone: (909) 390-5555  
Fax: (909) 390-5554

San Diego 92111  
7638 Clairemont Blvd.  
Phone: (858) 277-9595  
Fax: (858) 277-9696

San Leandro 94577 (Oakland)  
3039 Teagarden Street  
Phone: (510) 357-9762  
Fax: (510) 357-7939

**COLORADO**  
Arvada 80003 (Denver)  
8175 Sheridan Blvd., Unit S  
Phone: (303) 487-1809  
Fax: (303) 487-1868

**FLORIDA**  
Davie 33314 (Miami)  
4343 South State Rd. 7 (441)  
Unit #107  
Phone: (954) 321-6635  
Fax: (954) 321-6638

Tampa 33609  
4538 W. Kennedy Boulevard  
Phone: (813) 877-9585  
Fax: (813) 289-7948

**GEORGIA**  
Forest Park 30297 (Atlanta)  
5442 Frontage Road,  
Suite 112  
Phone: (404) 608-0006  
Fax: (404) 608-1123

**ILLINOIS**  
Addison 60101 (Chicago)  
400 South Rohlwing Rd.  
Phone: (630) 424-8805  
Fax: (630) 424-8895

Woodridge 60517 (Chicago)  
2033 West 75th Street  
Phone: (630) 910-9200  
Fax: (630) 910-0360

**MARYLAND**  
Elkridge 21075 (Baltimore)  
7397-102 Washington Blvd.  
Phone: (410) 799-9394  
Fax: (410) 799-9398

**MASSACHUSETTS**  
Franklin 02038 (Boston)  
Franklin Industrial Park  
101E Constitution Blvd.  
Phone: (508) 520-8802  
Fax: (508) 528-8089

**MICHIGAN**  
Madison Heights 48071 (Detroit)  
30475 Stephenson Highway  
Phone: (248) 597-5000  
Fax: (248) 597-5004

**MINNESOTA**  
Minneapolis 55429  
5522 Lakeland Avenue North  
Phone: (763) 561-9080  
Fax: (763) 561-0653

**MISSOURI**  
North Kansas City 64116  
1141 Swift Avenue  
Phone: (816) 221-2070  
Fax: (816) 221-2897

St. Louis 63119  
7574 Watson Road  
Phone: (314) 968-8950  
Fax: (314) 968-2790

**NEW YORK**  
Flushing 11365-1595 (N.Y.C.)  
175-25 Horace Harding Expwy.  
Phone: (718) 225-2040  
Fax: (718) 423-9619

**NORTH CAROLINA**  
Charlotte 28270  
9129 Monroe Road, Suite 115  
Phone: (704) 841-1176  
Fax: (704) 708-4625

**OHIO**  
Columbus 43214  
4560 Indianola Avenue  
Phone: (614) 263-0929  
Fax: (614) 263-1238

Cleveland 44125  
8001 Sweet Valley Drive  
Unit #19  
Phone: (216) 447-9030  
Fax: (216) 447-3097

**OREGON**  
Carrollton 97230  
4916 NE 122 nd Ave.  
Phone: (503) 252-0107  
Fax: (503) 252-2123

**PENNSYLVANIA**  
Willow Grove 19090 (Philadelphia)  
520 North York Road  
Phone: (215) 658-1430  
Fax: (215) 658-1433

**TEXAS**  
Carrollton 75006 (Dallas)  
1300 Interstate 35 N, Suite 112  
Phone: (972) 446-2996  
Fax: (972) 446-8157

Houston 77043  
4321 Sam Houston Parkway, West  
Suite 180  
Phone: (713) 983-9910  
Fax: (713) 983-6645

**WASHINGTON**  
Auburn 98001 (Seattle)  
3320 West Valley HWY, North  
Building D, Suite 111  
Phone: (253) 333-8353  
Fax: (253) 333-9613

Authorized Service Stations are located in many large cities. Telephone **800-487-8665** or **731-541-6042** for assistance locating one. Parts and accessories for Porter-Cable • Delta products should be obtained by contacting any Porter-Cable • Delta Distributor, Authorized Service Center, or Porter-Cable • Delta Factory Service Center. If you do not have access to any of these, call **888-848-5175** and you will be directed to the nearest Porter-Cable • Delta Factory Service Center. Las Estaciones de Servicio Autorizadas están ubicadas en muchas grandes ciudades. Llame al **800-487-8665** ó al **731-541-6042** para obtener asistencia a fin de localizar una. Las piezas y los accesorios para los productos Porter-Cable • Delta deben obtenerse poniéndose en contacto con cualquier distribuidor Porter-Cable • Delta, Centro de Servicio Autorizado o Centro de Servicio de Fábrica Porter-Cable • Delta. Si no tiene acceso a ninguna de estas opciones, llame al **888-848-5175** y le dirijirán al Centro de Servicio de Fábrica Porter-Cable • Delta más cercano. Des centres de service agréés sont situés dans beaucoup de grandes villes. Appelez au **800-487-8665** ou au **731-541-6042** pour obtenir de l'aide pour en repérer un. Pour obtenir des pièces et accessoires pour les produits Porter-Cable • Delta, s'adresser à tout distributeur Porter-Cable • Delta, centre de service agréé ou centre de service d'usine Porter-Cable • Delta. Si vous n'avez accès à aucun de ces centres, appeler le **888-848-5175** et on vous dirigera vers le centre de service d'usine Porter-Cable • Delta le plus proche.

## CANADIAN PORTER-CABLE • DELTA SERVICE CENTERS

**ALBERTA**  
Bay 6, 2520-23rd St. N.E.  
Calgary, Alberta  
T2E 8L2  
Phone: (403) 735-6166  
Fax: (403) 735-6144

**BRITISH COLUMBIA**  
8520 Baxter Place  
Burnaby, B.C.  
V5A 4T8  
Phone: (604) 420-0102  
Fax: (604) 420-3522

**MANITOBA**  
1699 Dublin Avenue  
Winnipeg, Manitoba  
R3H 0H2  
Phone: (204) 633-9259  
Fax: (204) 632-1976

**ONTARIO**  
505 Southgate Drive  
Guelph, Ontario  
N1H 6M7  
Phone: (519) 767-4132  
Fax: (519) 767-4131

**QUÉBEC**  
1515 Ave.  
St-Jean Baptiste, Suite 160  
Québec, P.Q.  
G2E 5E2  
Phone: (418) 877-7112  
Fax: (418) 877-7123

1447, Bégin  
St-Laurent, (Mtl), P.Q.  
H4R 1V8  
Phone: (514) 336-8772  
Fax: (514) 336-3505

The following are trademarks of PORTER-CABLE • DELTA (Las siguientes son marcas registradas de PORTER-CABLE • DELTA S.A.) (Les marques suivantes sont des marques de fabriquant de la PORTER-CABLE • DELTA): Auto-Set®, BAMMER®, B.O.S.S.®, Builder's Saw®, Contractor's Saw®, Contractor's Saw II™, Delta®, DELTACRAFT™, DELTAGRAM™, Delta Series 2000™, DURATRAC™, Emc2™, FLEX®, Flying Chips™, FRAME SAW®, Grip Vac™, Homecraft®, INNOVATION THAT WORKS®, Jet-LoK®, JETSTREAM®, 'kickstand', LASERLOC®, MICRO-SET®, Micro-Set®, MIDI LATHÉ®, MORTEN™, NETWORK™, OMNIJIG®, POCKET CUTTER®, PORTA-BAND®, PORTA-PLANE®, PORTER-CABLE®&(design), PORTER-CABLE®PROFESSIONAL POWER TOOLS, PORTER-CABLE REDEFINING PERFORMANCE™, Posi-Matic®, Q-3™&(design), QUICKSAND™&(design), QUICKSET™, QUICKSET II®, QUICKSET PLUS™, RIPPTIDE™&(design), SAFE GUARD II®, SAFE-LOC®, Sanding Center®, SANDTRAP™&(design), SAW BOSS®, Sawbuck™, Sidekick™, SPEED-BLOC®, SPEEDMATIC®, SPEEDTRONIC®, STAIR EASE®, The American Woodshop™&(design), The Lumber Company™&(design), THE PROFESSIONAL EDGE®, THE PROFESSIONAL SELECT™, THIN-LINE™, TIGER™, TIGER CUB™, TIGER SAW®, TORQBUSTER®, TORQ-BUSTER®, TRU-MATCH™, TWIN-LITE™, UNIGUARD®, Unifence®, UNIFEEDE™, Unihand™, Uniplane™, Unirip®, Unisaw®, Unisave®, Versa-Feeder®, VERSA-PLANE®, WHISPER SERIES®, WOODWORKER'S CHOICE™.

Trademarks noted with ™ and ® are registered in the United States Patent and Trademark Office and may also be registered in other countries. Las Marcas Registradas con el signo de ™ y ® son registradas por la Oficina de Registros y Patentes de los Estados Unidos y también pueden estar registradas en otros países. Marques déposées, indiquées par la lettre ™ et ®, sont déposées au Bureau des brevets d'invention et marques déposées aux Etats-Unis et pourraient être déposées aux autres pays.